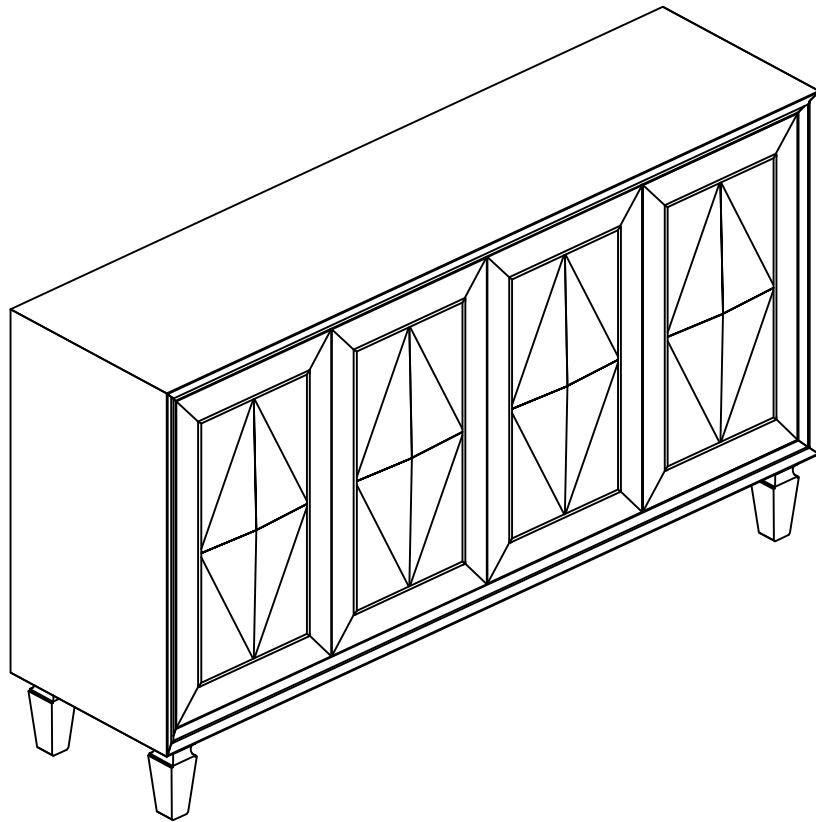


HULALA

H O M E



ITEM NO.SBHM0854

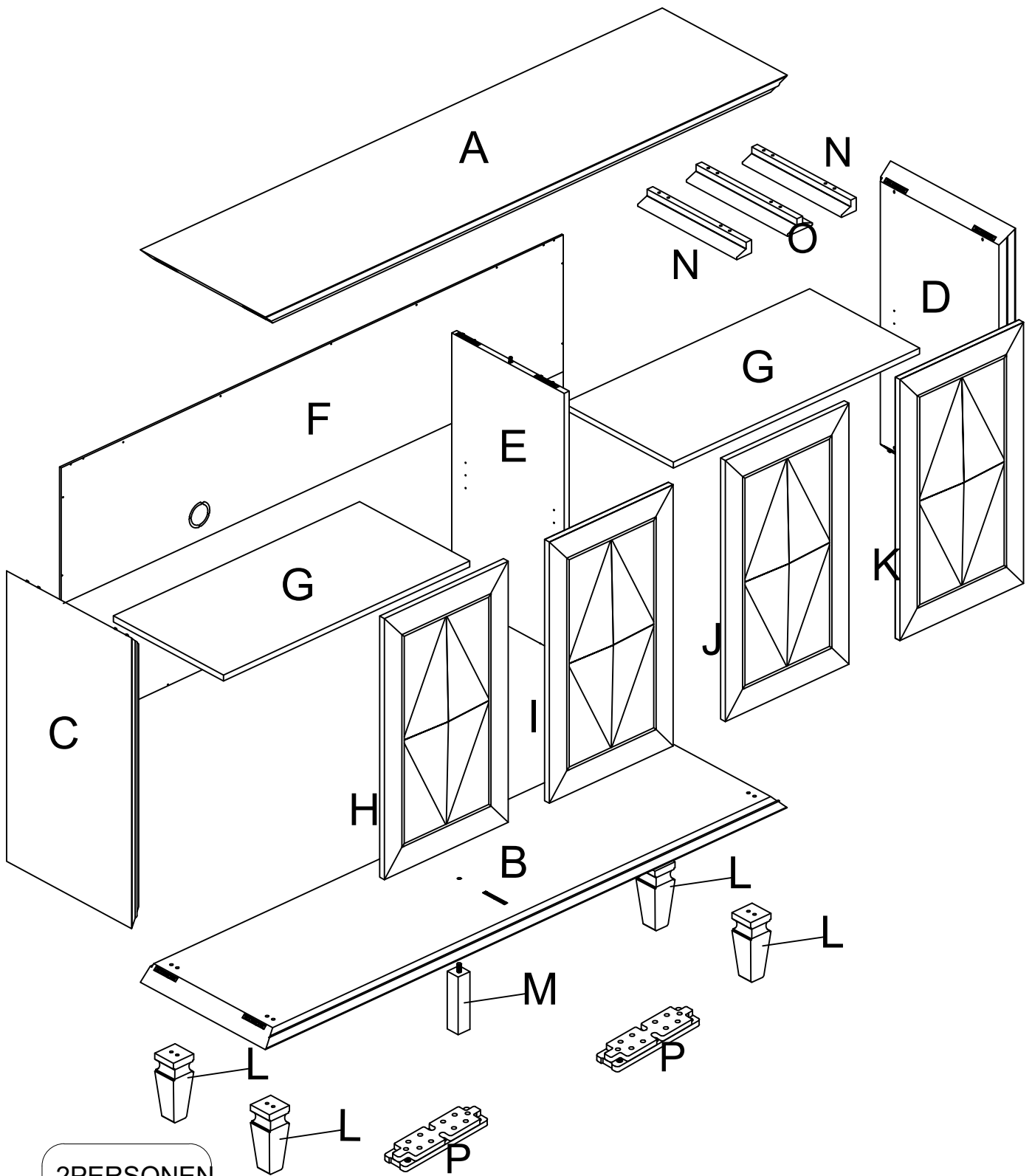
NOTE:

This brochure contains IMPORTANT safty info. Please read and keep for future reference.

MAINTAINANCE AND WARNING

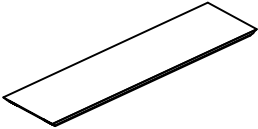
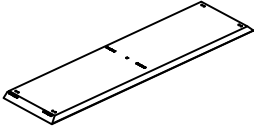

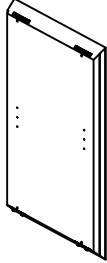
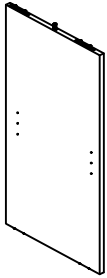
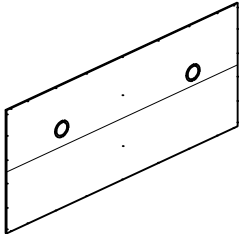
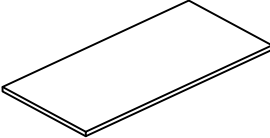
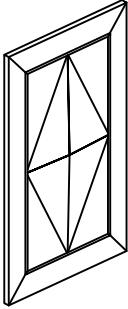
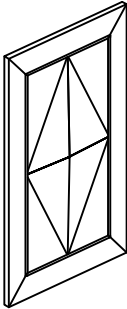
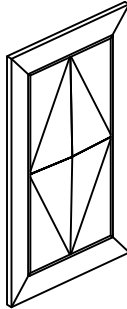
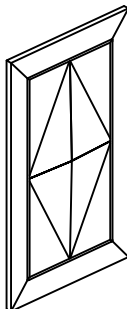


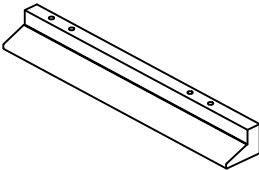
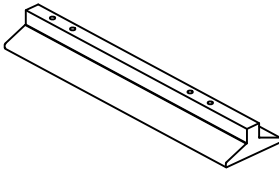
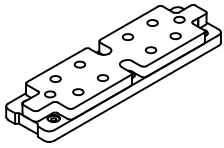
- 1.Keep furniture away from heat sources.
- 2.Do not clean furniture with harsh cleaner or polishes.Do not use detergents,solvents,abrasives,spray packs or leather cleaner. Use non-color mild soa with warm water to clean spills(Mix 1:10 soap to water).
- 3.Do not place furniture under direct sunlight,material will possibly fade over time.
- 4.Do not use on site dry cleaning machine.Children should not climb or jump on the furniture.
- 5.Do not write on furniture that is not protectedby a padded barrier.
- 6.Not for commercial use,only for residential use.



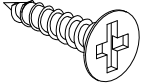
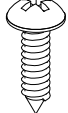

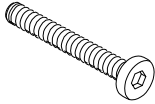
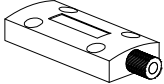
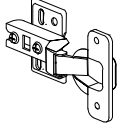
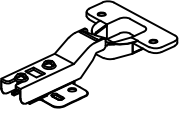



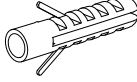
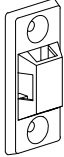

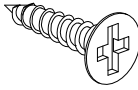


2 PERSONEN

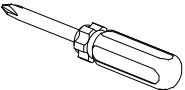

PARTS LIST

A	x1	B	x1	C	x1	D	x1
							
E	x1	F	x1	G	x2	H	x1
							
I	x1	J	x1	K	x1	L	x4
							
M	x1	N	x2	O	x1	P	x2
							

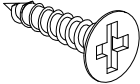
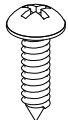
HARDWARE LIST

#1	x48	#2	x24	#3	x16	#4	x8	#5	x4	#6	x4
											
Ø3.5*14m*7		Ø3*14mm*6		Ø3.5*20m*7		Ø1/4*2					
#7	x4	#8	x8	#9	x2	#10	x4	#11	x4	#12	x4
											
#15	x21	#16	x4								
											
Ø8*1\4m*		Ø3*16m									

TOOL LIST

#13	x1	#14	x1
			
M4		M5	

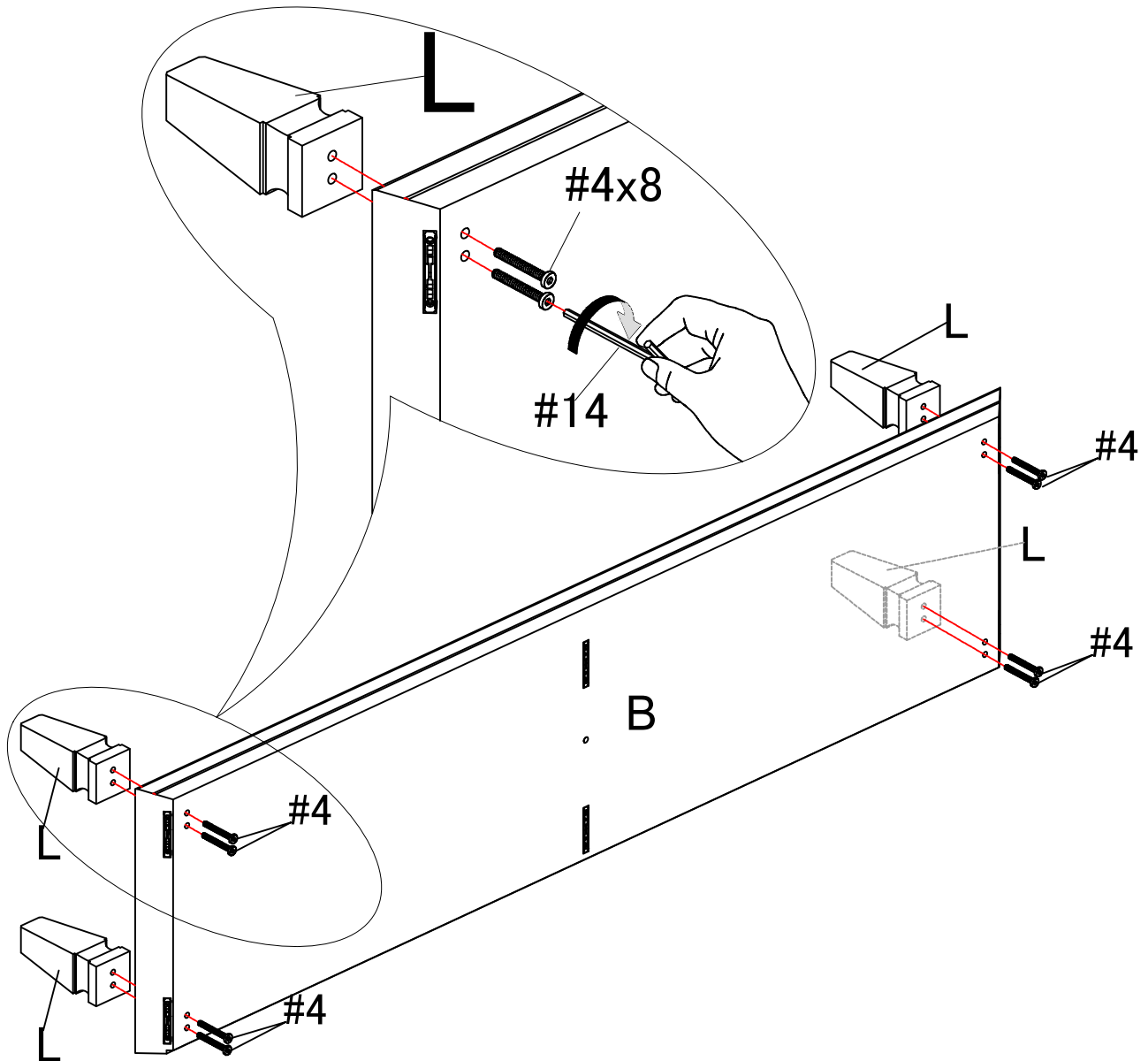
HARDWARE SPARE LIST

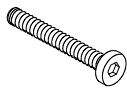

#1	x1	#2	x1
			

ASSEMBLY INSTRUCTIONS

STEP-1

1. Use bolt #4 to attach leg(L) to bottom panel (B), make sure all holes aligned and tighten it with allen key #14.

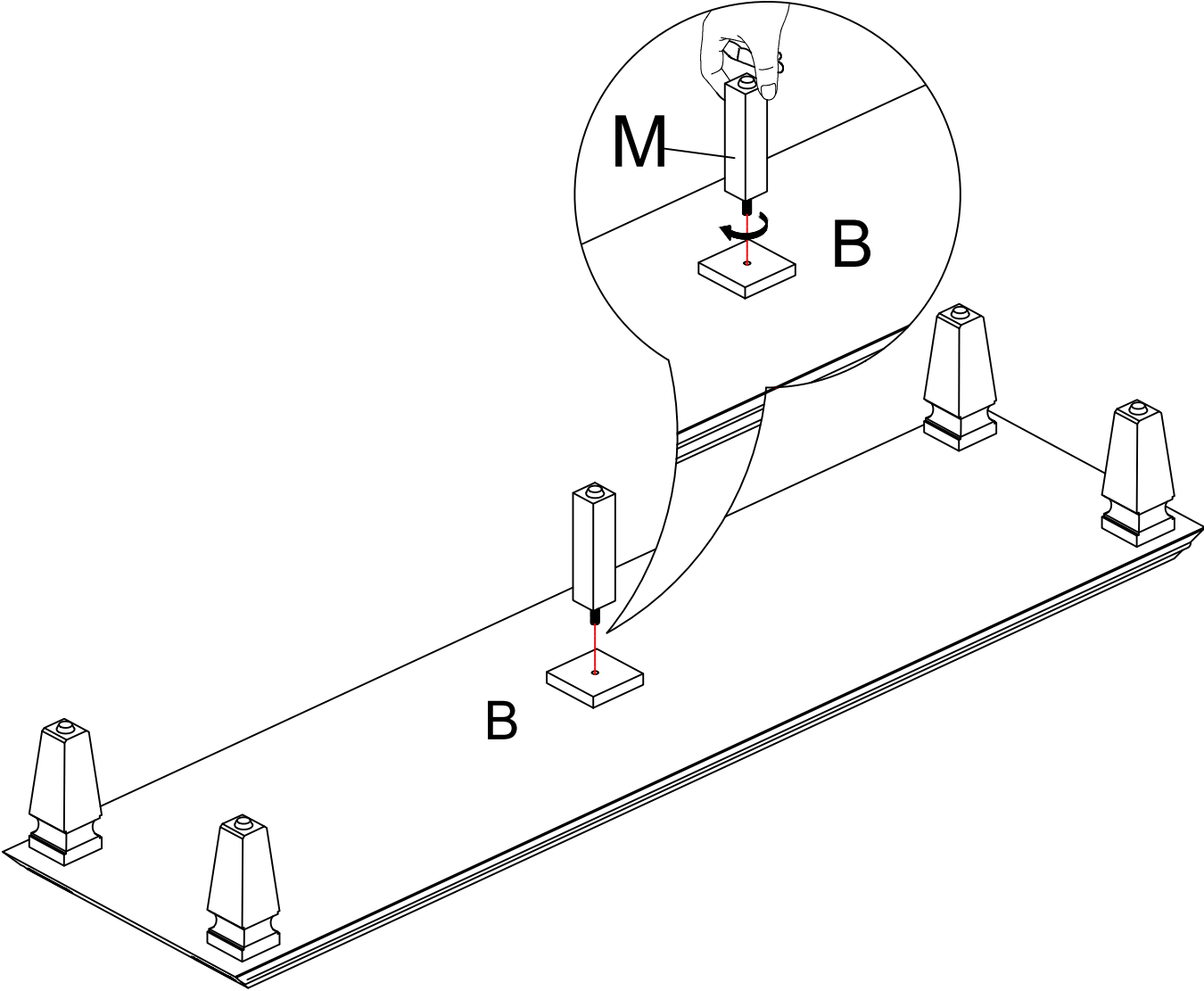


#4	x8	#14	x1
			
		M5	

ASSEMBLY INSTRUCTIONS

STEP-2

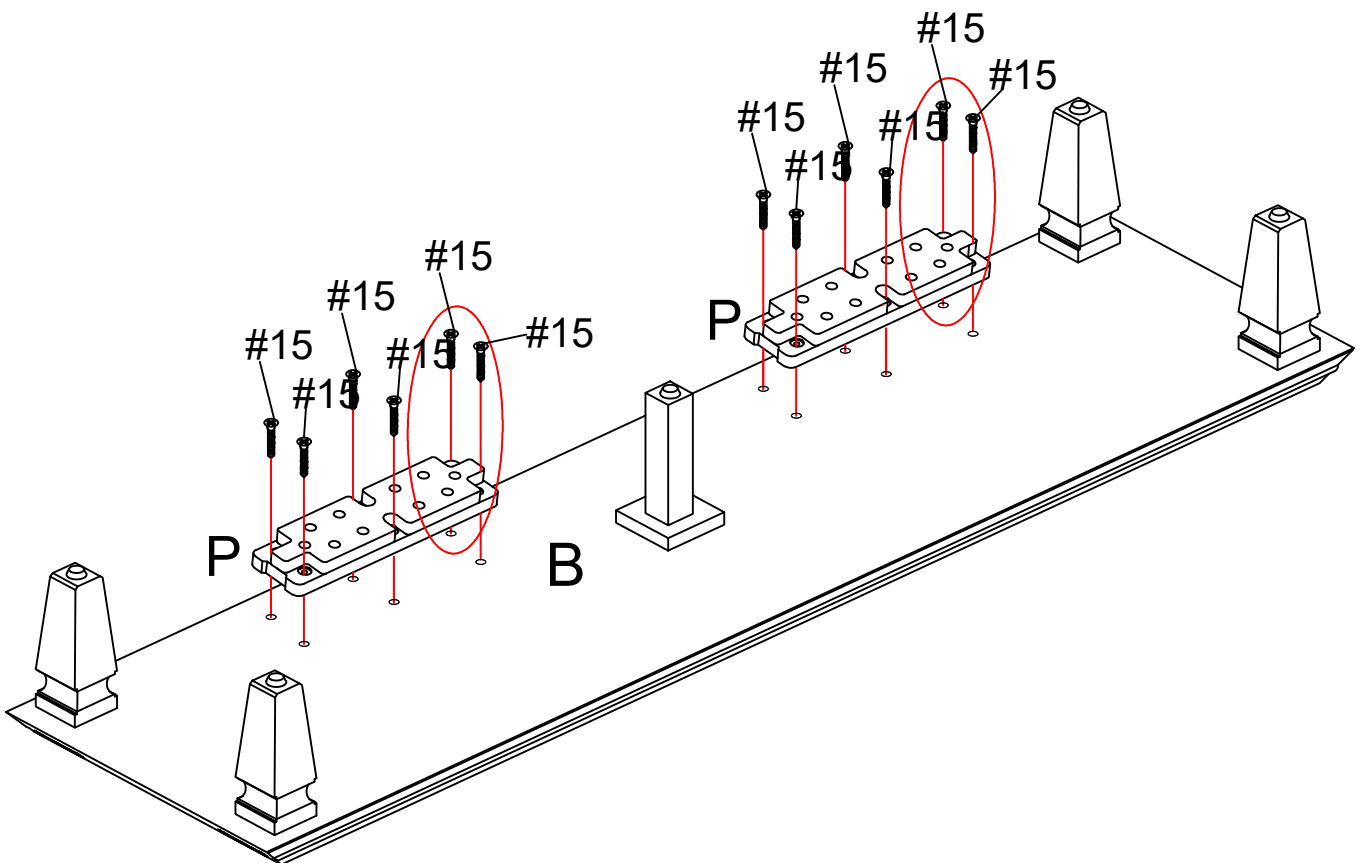
1.Screw leg(M) into panel (B) with hand as picture show.

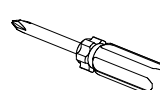



ASSEMBLY INSTRUCTIONS

STEP-3

1. Use bolt #15 to attach Weight blocks (P) to bottom panel (B), make sure all holes aligned and tighten it with screwdriver #13.



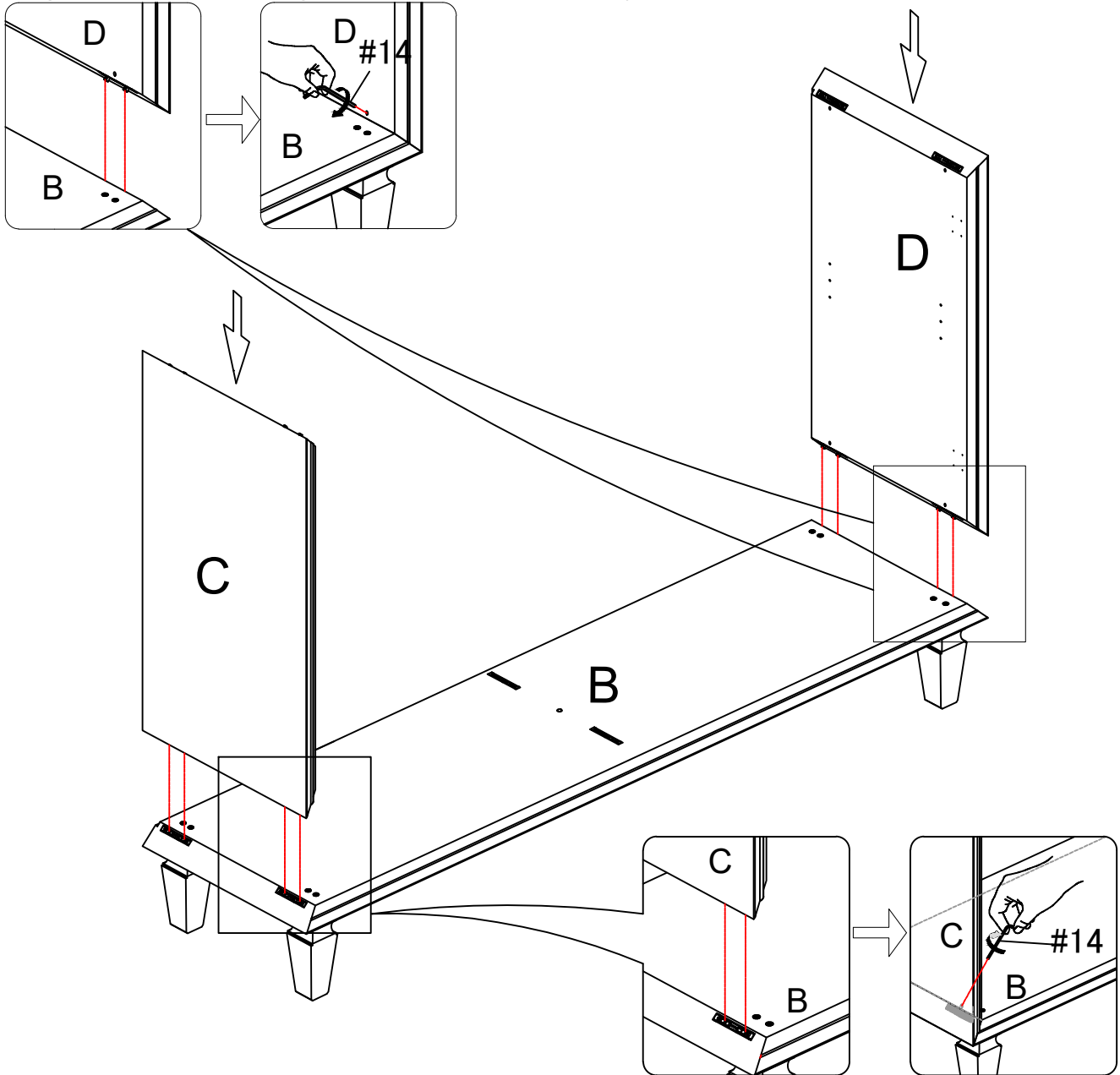
#13	x1
	
M5	

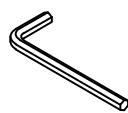
#15	x12
	

ASSEMBLY INSTRUCTIONS

STEP-4

1. Insert side panel (C) & (D) into bottom panel (B), make sure all holes are aligned and then tighten it with allen key #14 as picture show.

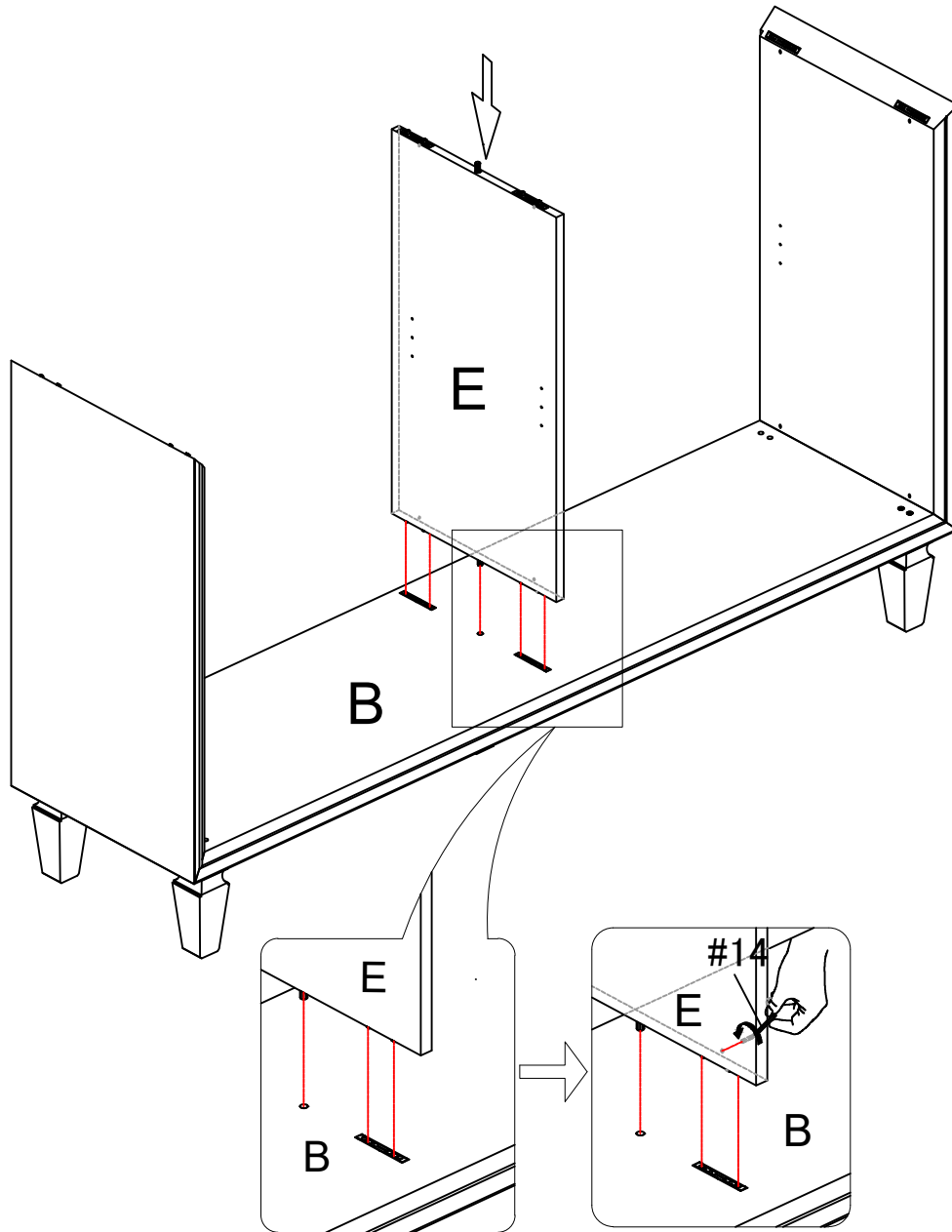


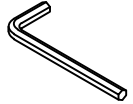
#14	x1
	
M4	

ASSEMBLY INSTRUCTIONS

STEP-5

1. Insert middle vertical panel(E) into bottom panel (B), make sure all holes aligned and then tighten it with allen key #14 as picture show.

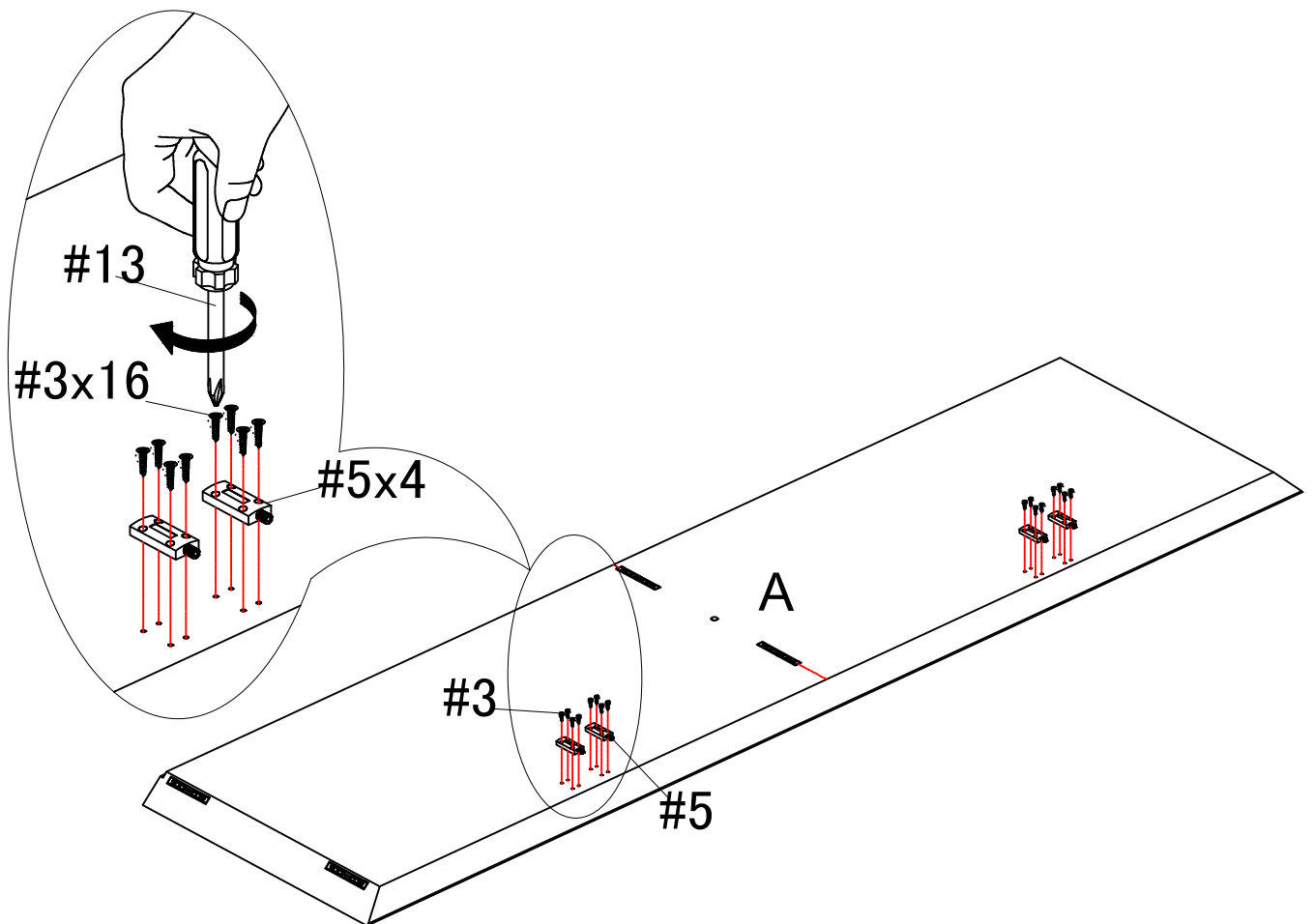


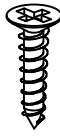
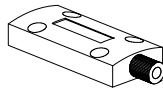
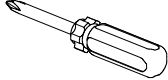
#14	x1
	
M4	

ASSEMBLY INSTRUCTIONS

STEP-5

1. Use screws #3 to attach rebound device #5 to panel(A), make sure all holes aligned and then tighten it with screwdriver #13.

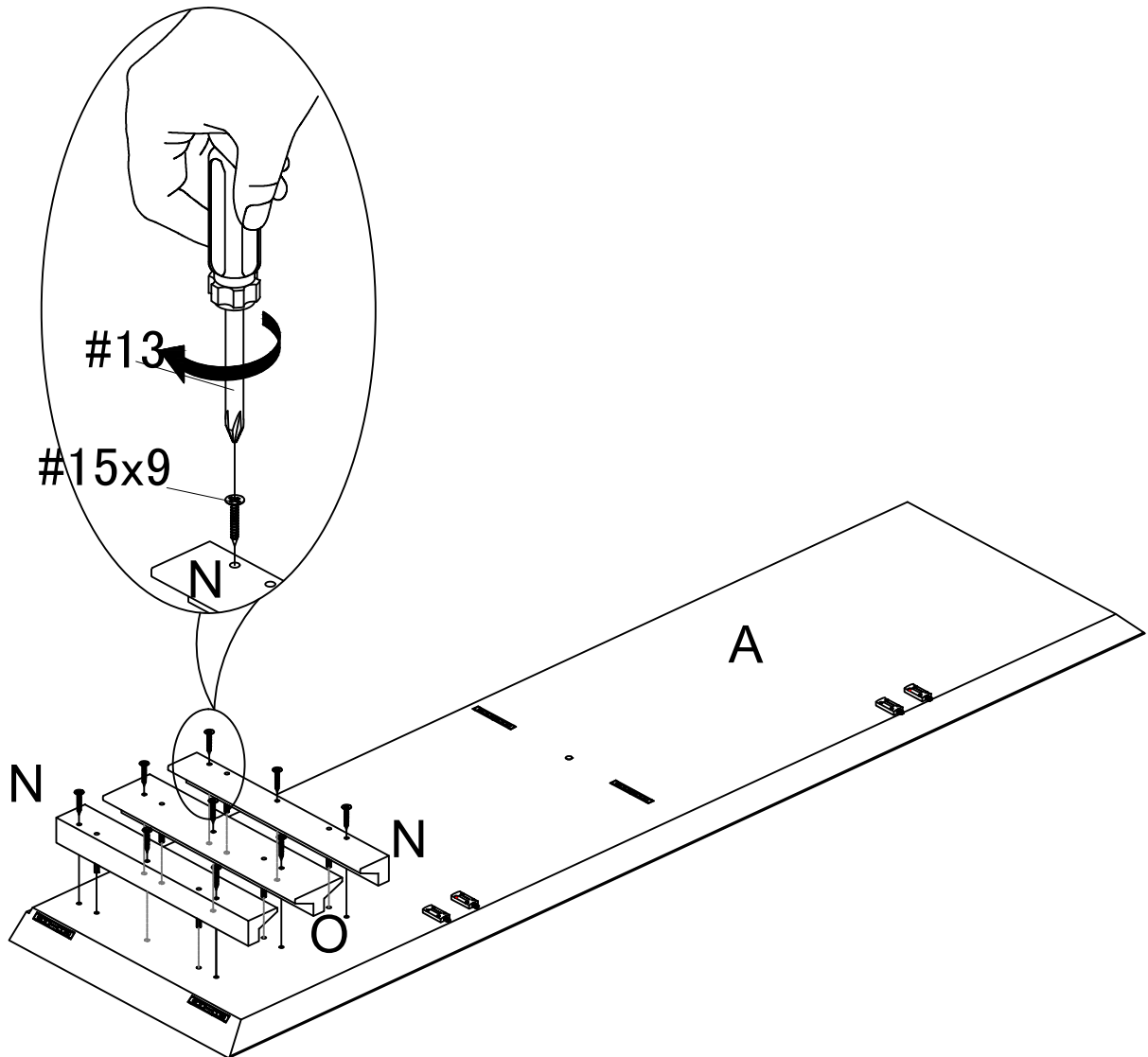



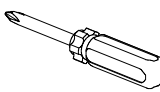
#3	x16	#5	x4	#13	x1
					
				M5	

ASSEMBLY INSTRUCTIONS

STEP-6

1. Use screws #15 to attach wine glass rack (N&O) to panel(A), make sure all holes aligned and then tighten it with screwdriver #13.

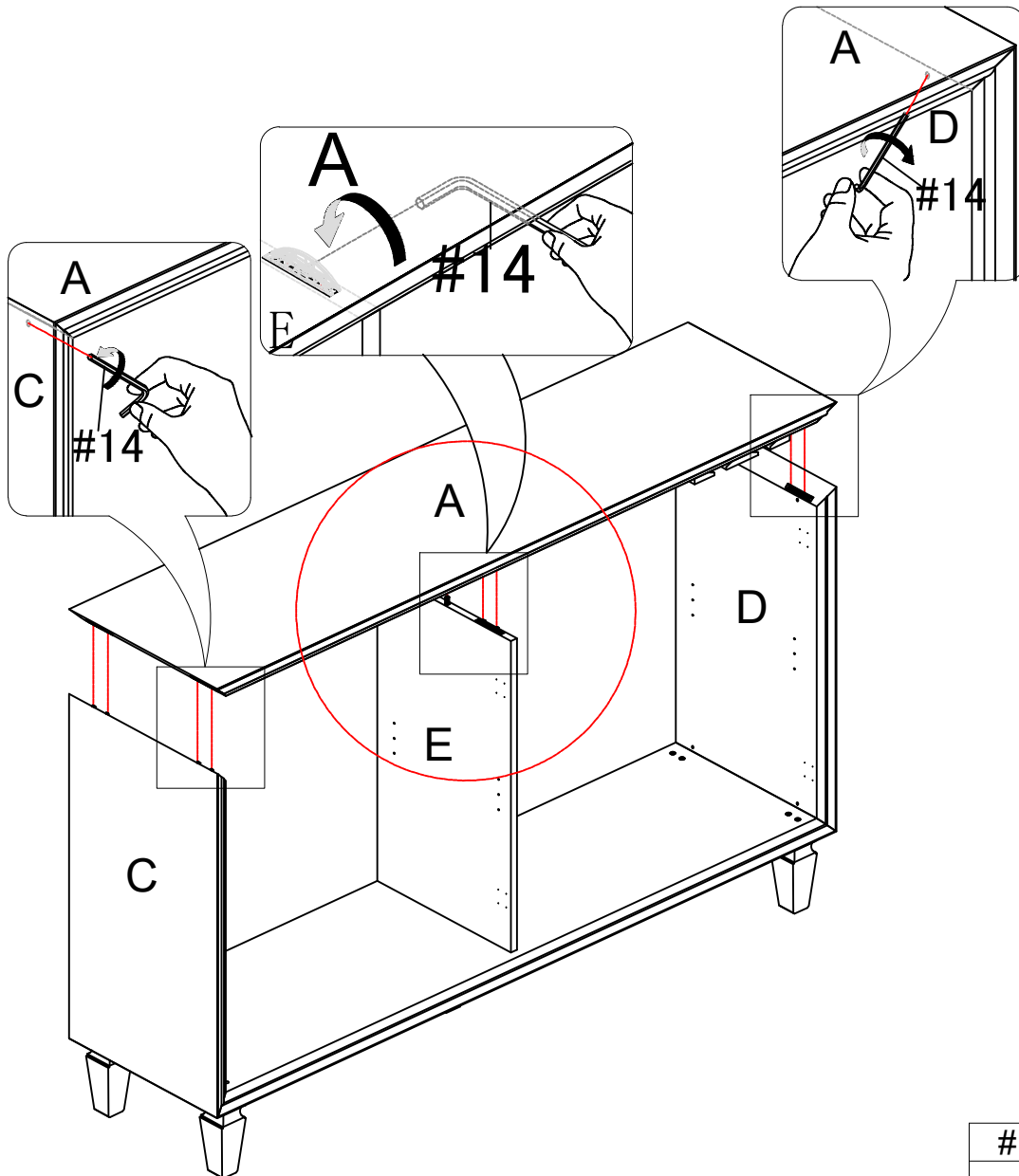



#15	x9	#13	x1
			
		M5	

ASSEMBLY INSTRUCTIONS

STEP-7

1. Insert panel(A) into preassembled unit at step 6, make sure all holes aligned and then tighten it with allen key #14.

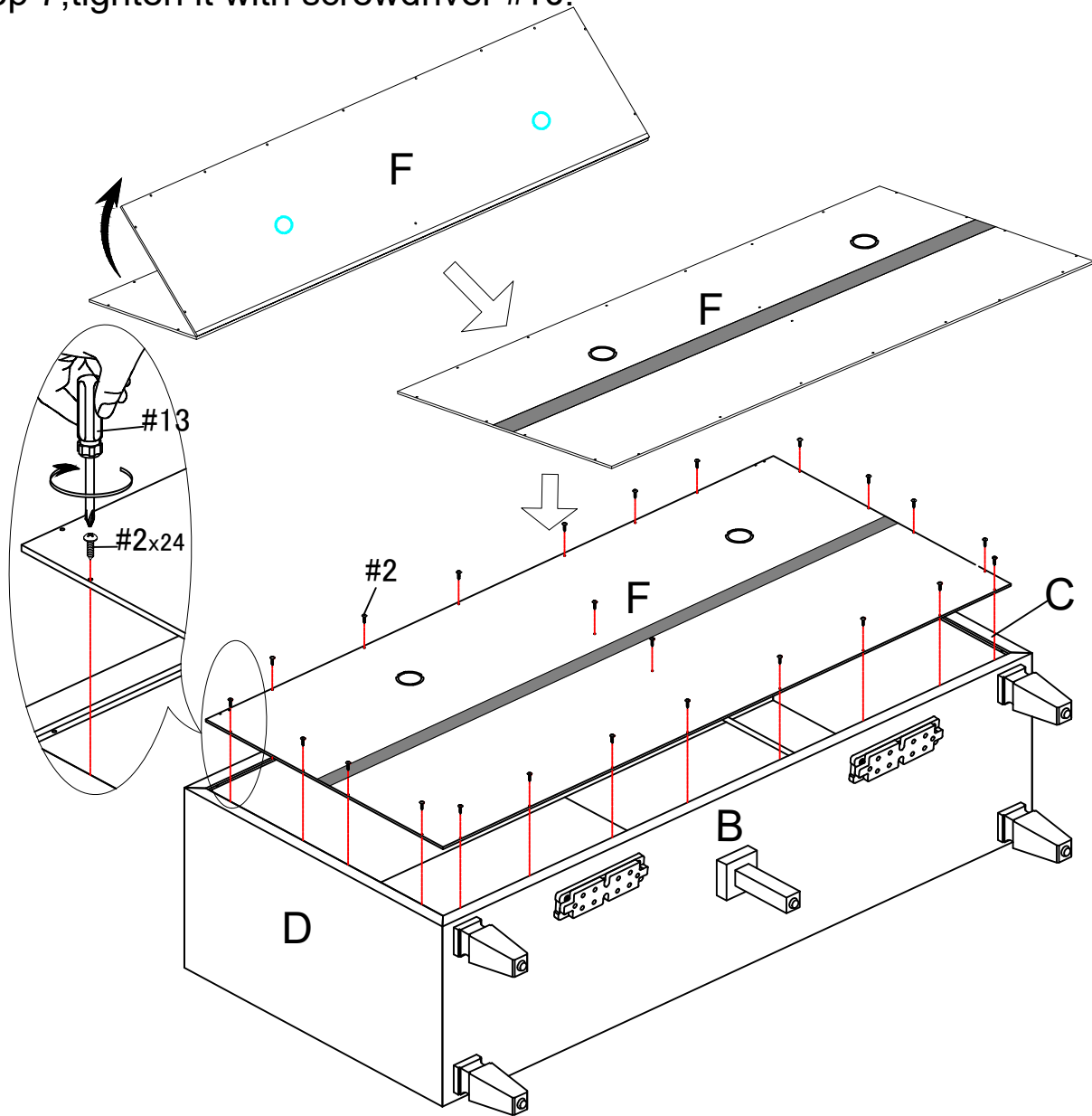



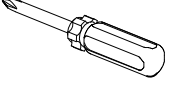
#14	x1
	

ASSEMBLY INSTRUCTIONS

STEP-8

1. Open the panel (F), insert panel(F) into the groove of preassembled step 7, and then use screw #2 to attach panel (F) to the preassembled step 7, tighten it with screwdriver #13.

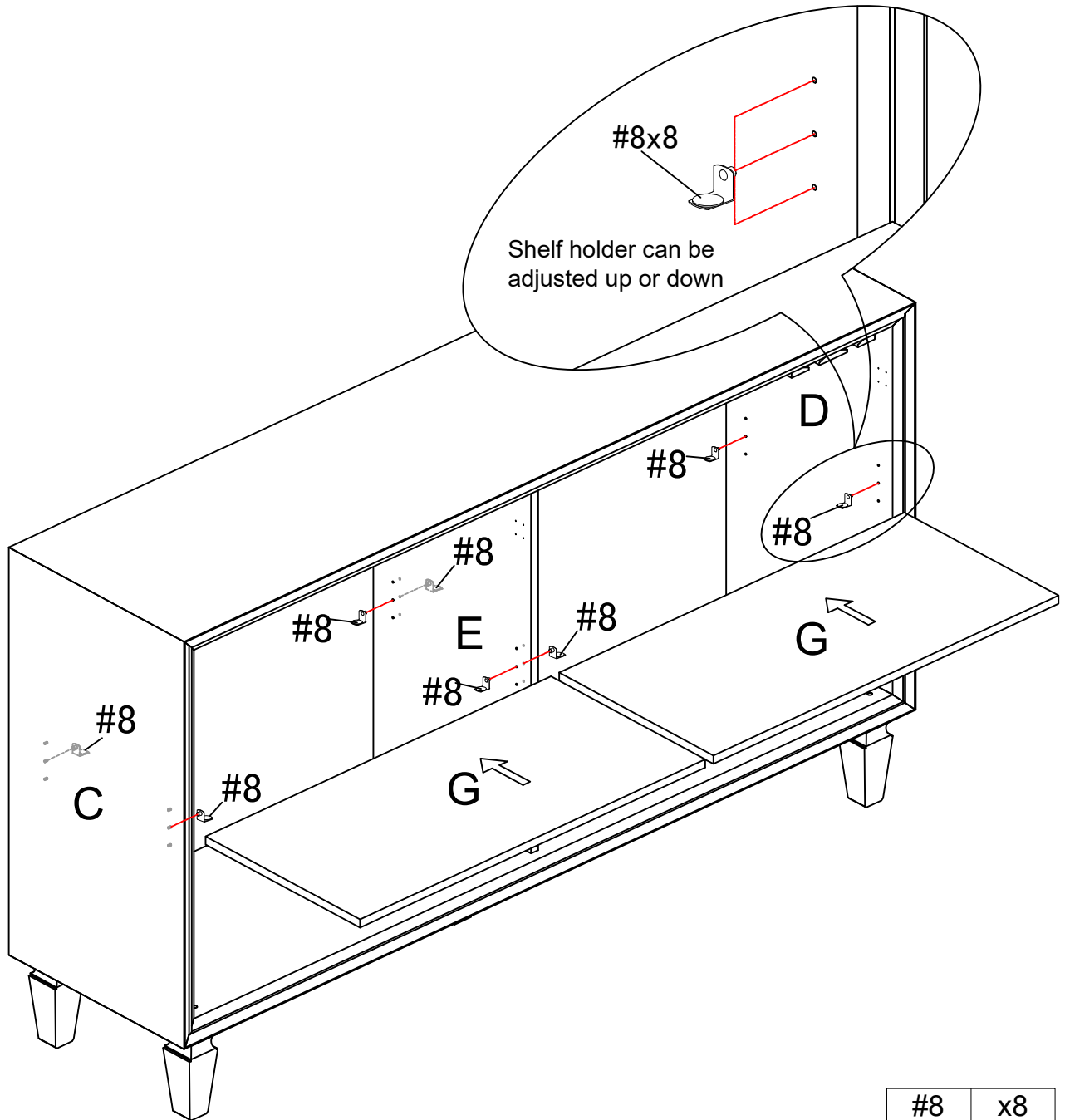


#2	x24	#13	x1
			

ASSEMBLY INSTRUCTIONS

STEP-9

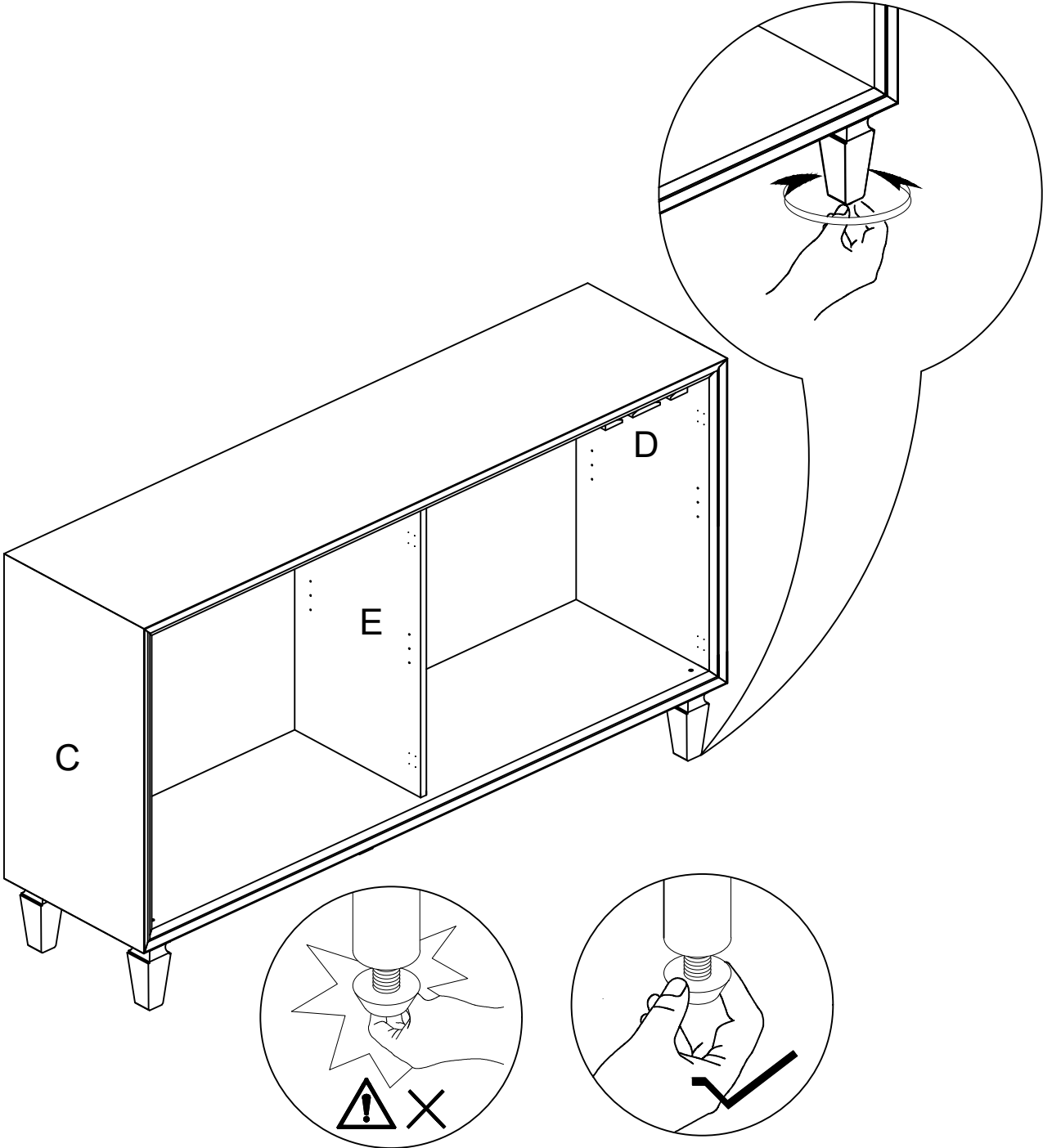
1. Insert shelf pin #8 into preassemble unit at step 8, and attach adjustable shelf (G) to it.



#8	x8

ASSEMBLY INSTRUCTIONS

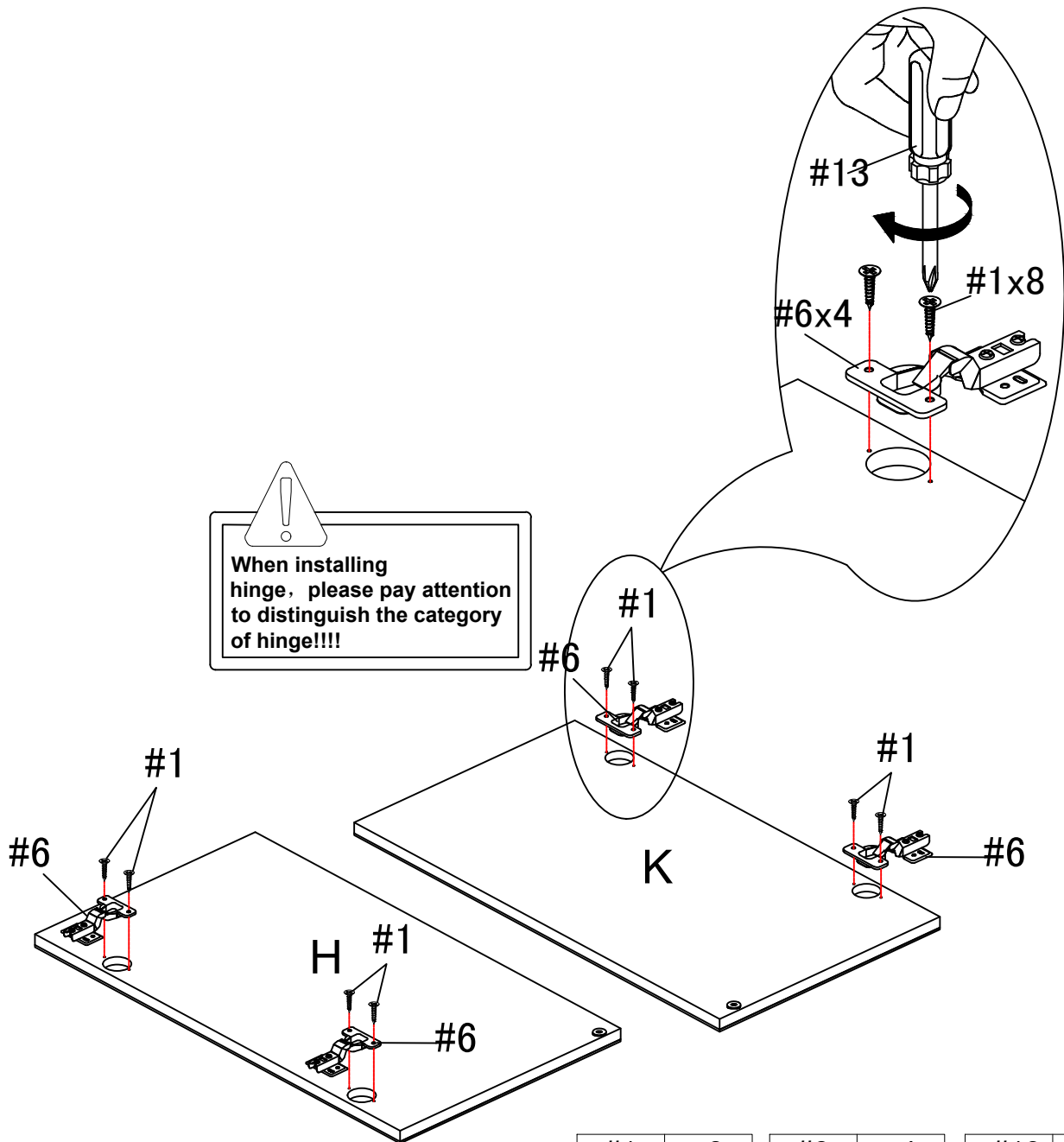
STEP-10

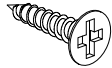
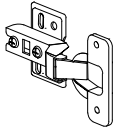
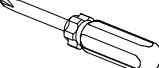


ASSEMBLY INSTRUCTIONS

STEP-11

1. Use screw #1 to attach the hinges #6 to door panel (H)&(K), tighten screws with screwdriver #13.

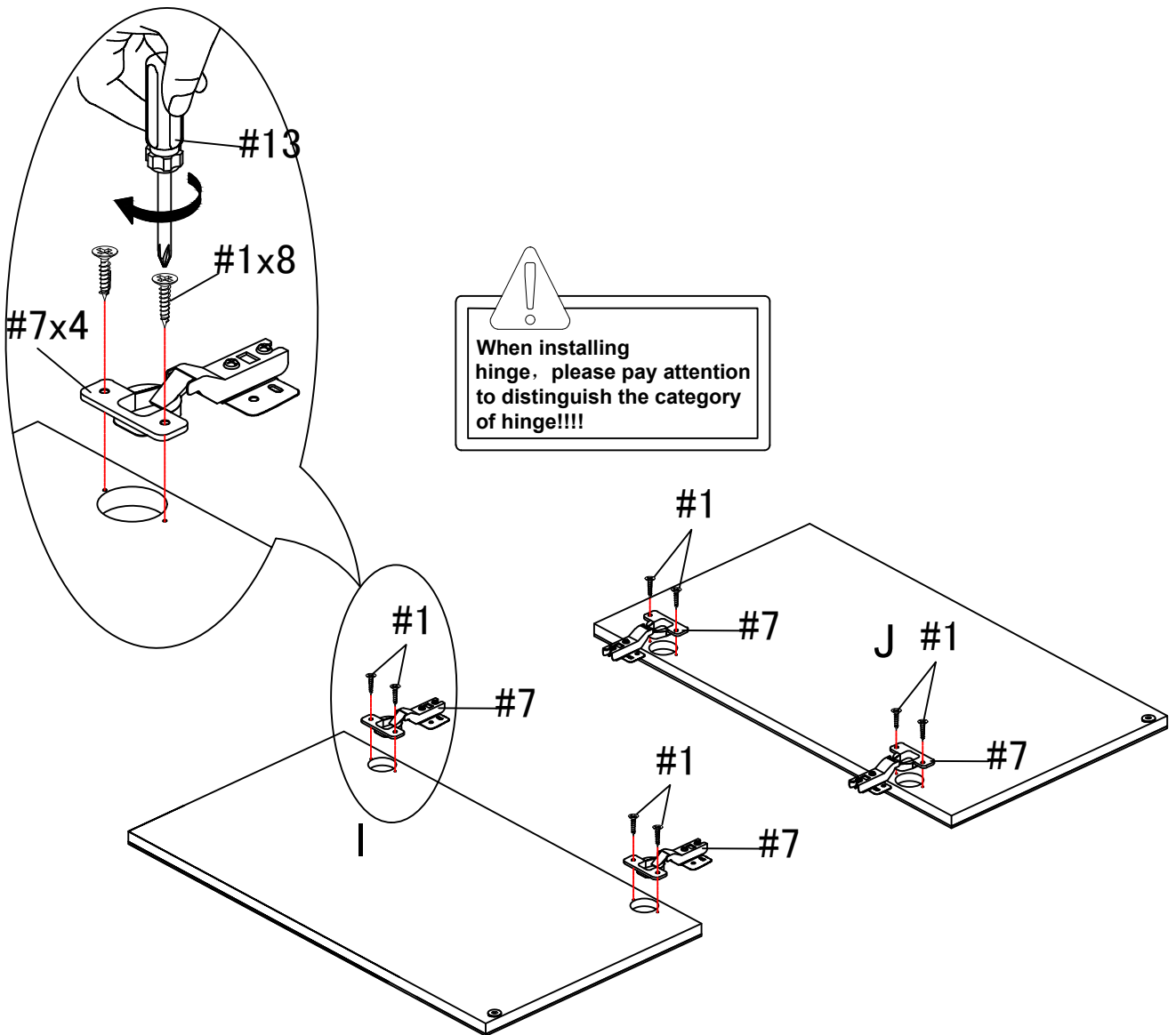


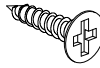
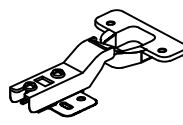
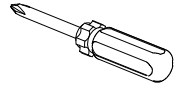
#1	x8	#6	x4	#13	x1
					

ASSEMBLY INSTRUCTIONS

STEP-12

1. Use screw #1 to attach the hinges #7 to door panel (I)&(J), tighten screws with screwdriver #13.

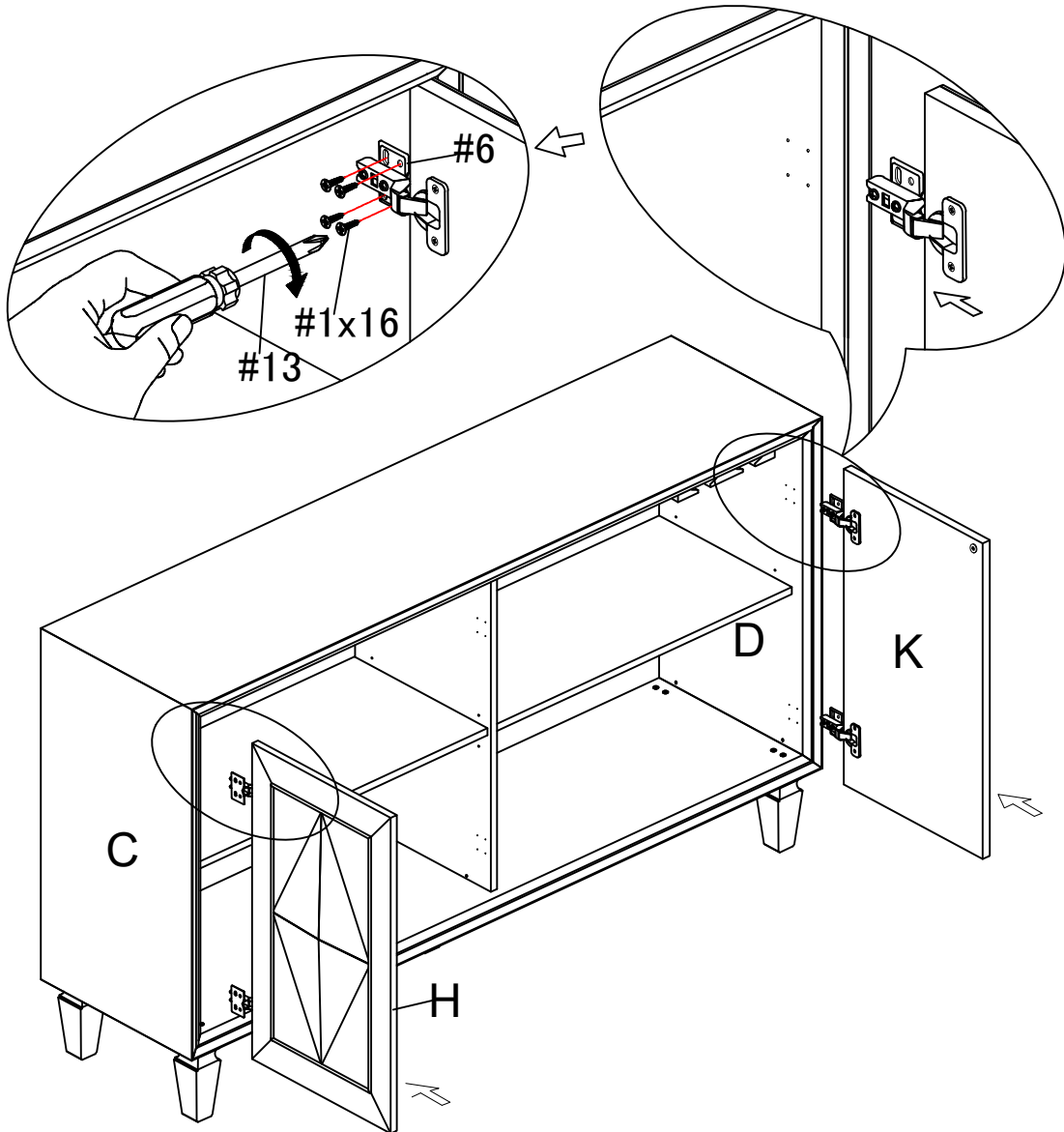


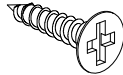
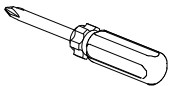
#1	x8	#7	x4	#13	x1
					
				M5	

ASSEMBLY INSTRUCTIONS

STEP-13

1. Use screw #1 to attach left door (H) and right door (K) to preassemble unit at step 10, tighten screws with screwdriver #13.

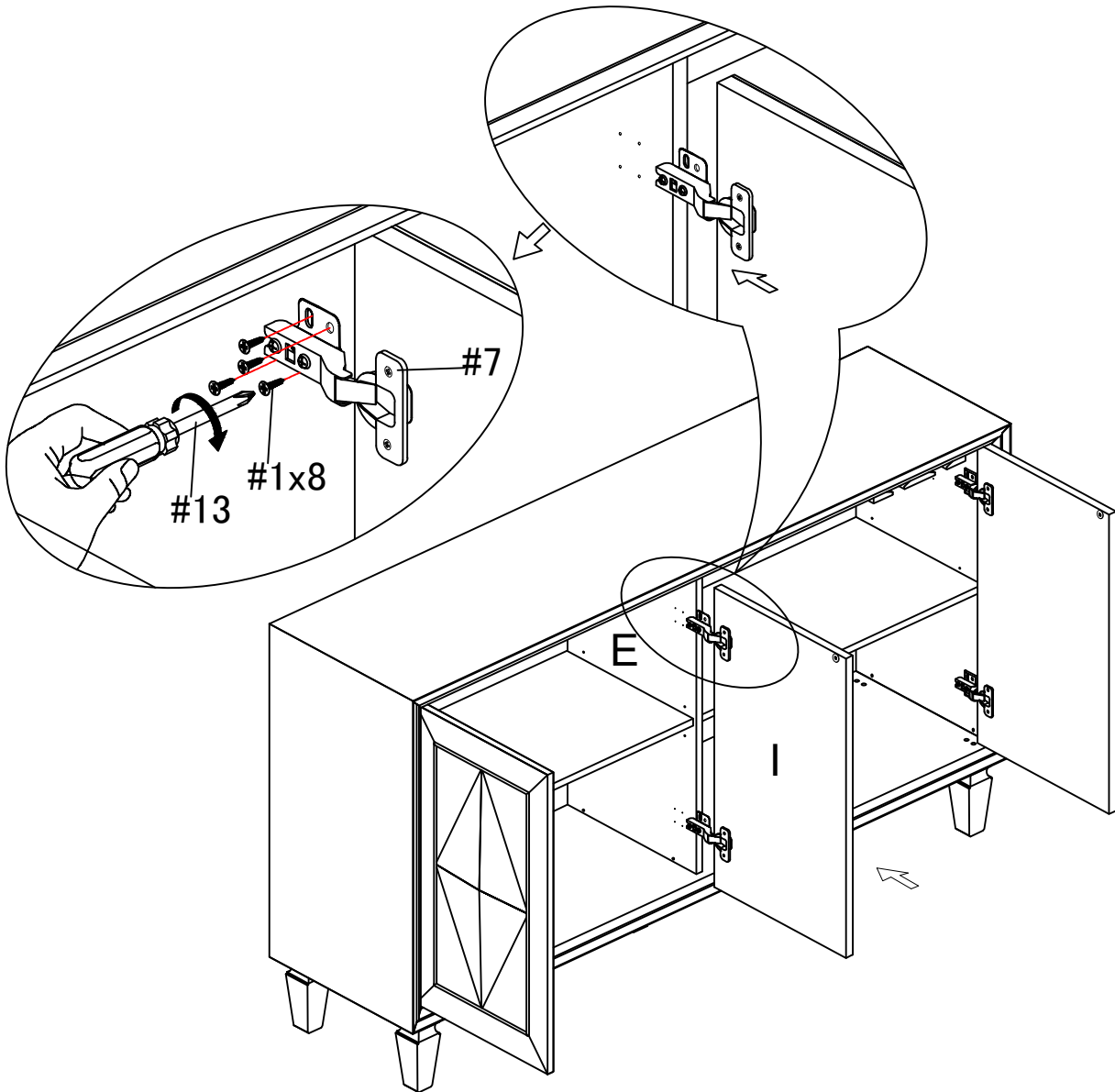


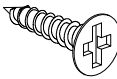
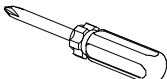
#1	x16	#13	x1
			
		M5	

ASSEMBLY INSTRUCTIONS

STEP-14

1. Use screw #1 to attach middle door (I) to pre-assemble unit at step 13, tighten screw with screwdriver #13.

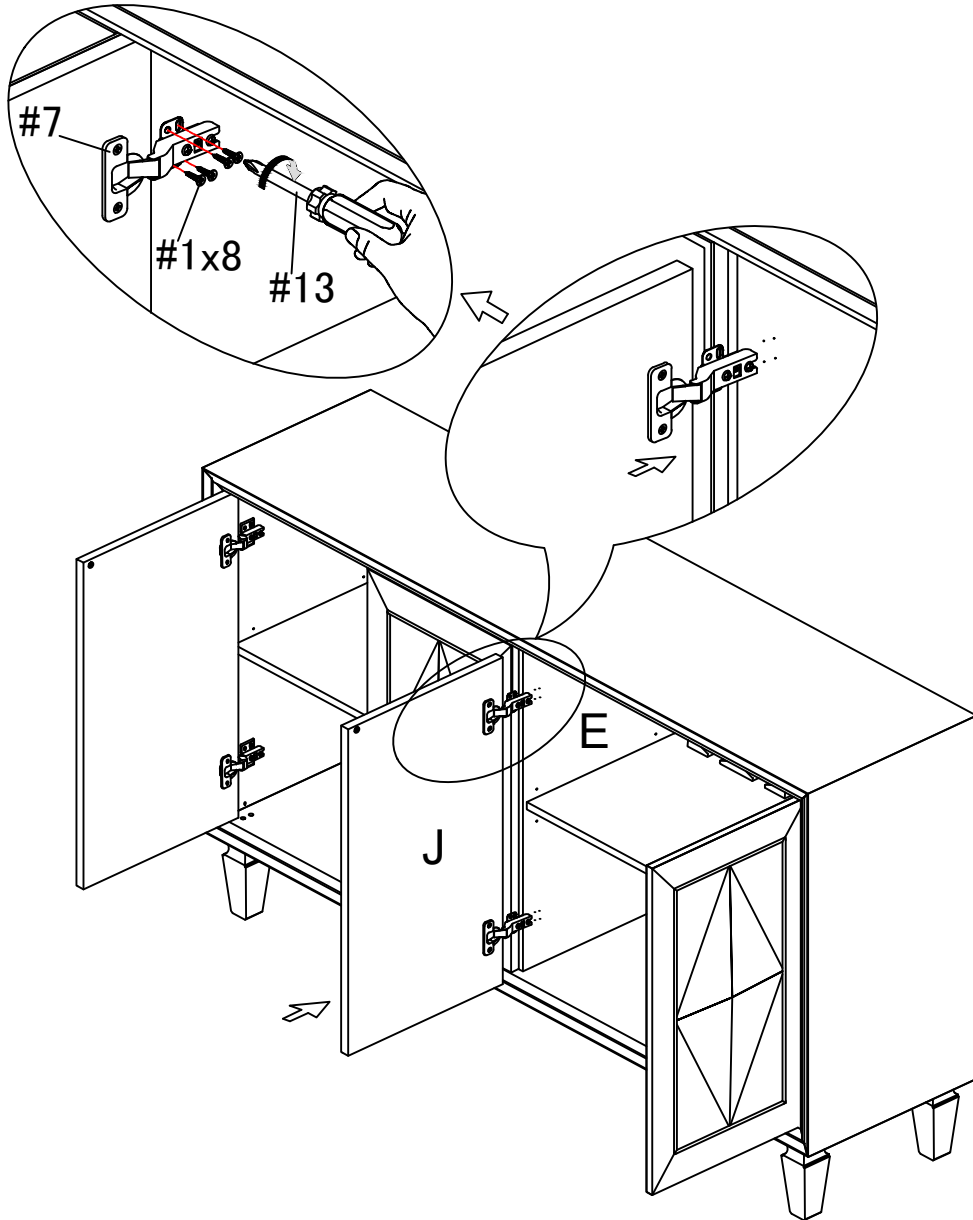


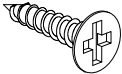

#1	x8	#13	x1
			
		M5	

ASSEMBLY INSTRUCTIONS

STEP-15

1. Use screw #1 to attach middle door (J) to pre-assemble unit at step 14, tighten screw with screwdriver #13.

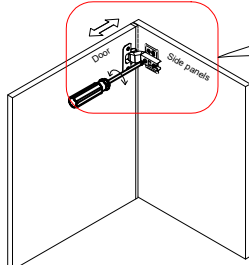


#1	x8	#13	x1
			
		M5	

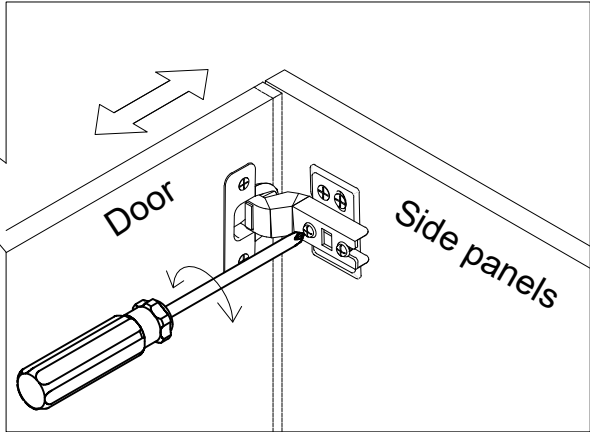
ASSEMBLY INSTRUCTIONS

STEP-16

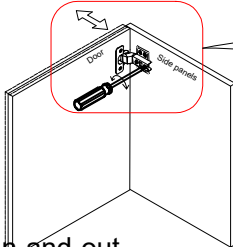
Concealed hinges are three-way adjustable:



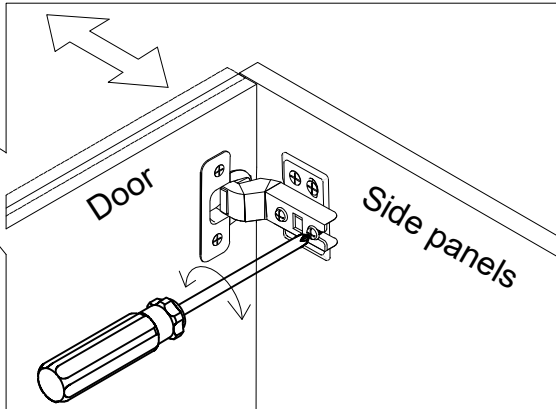
Horizontal
by screw adjustment!



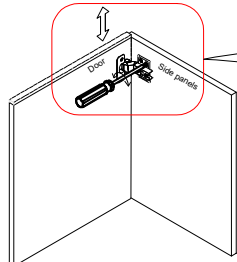
Concealed hinges are three-way adjustable:



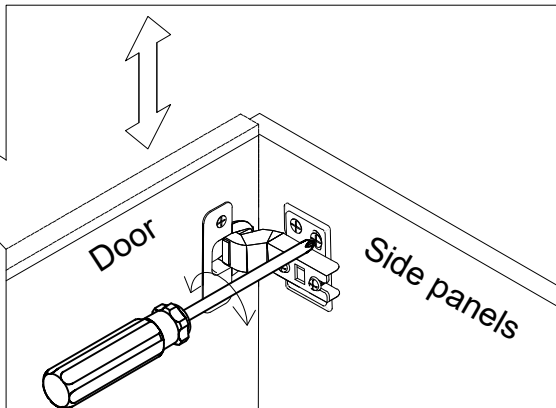
In-and-out
by loosening the hinge arm
mounting screw or via cam
adjustment!



Concealed hinges are three-way adjustable:



Vertical via slots in
the mounting plate
or via cam adjustment!



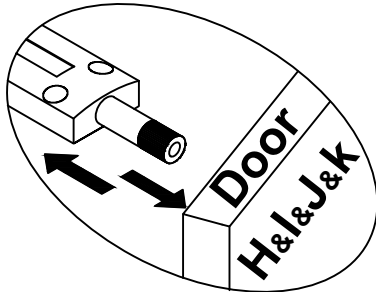
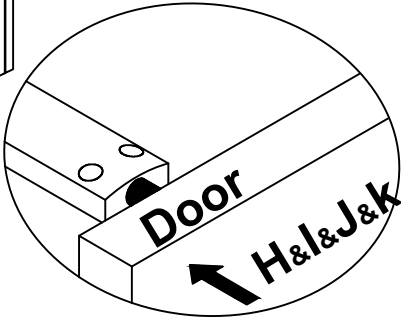
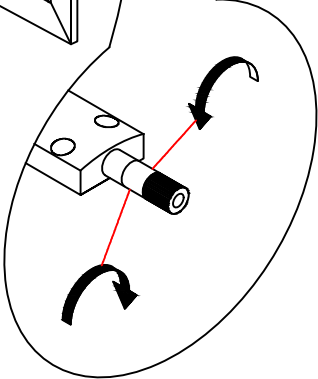
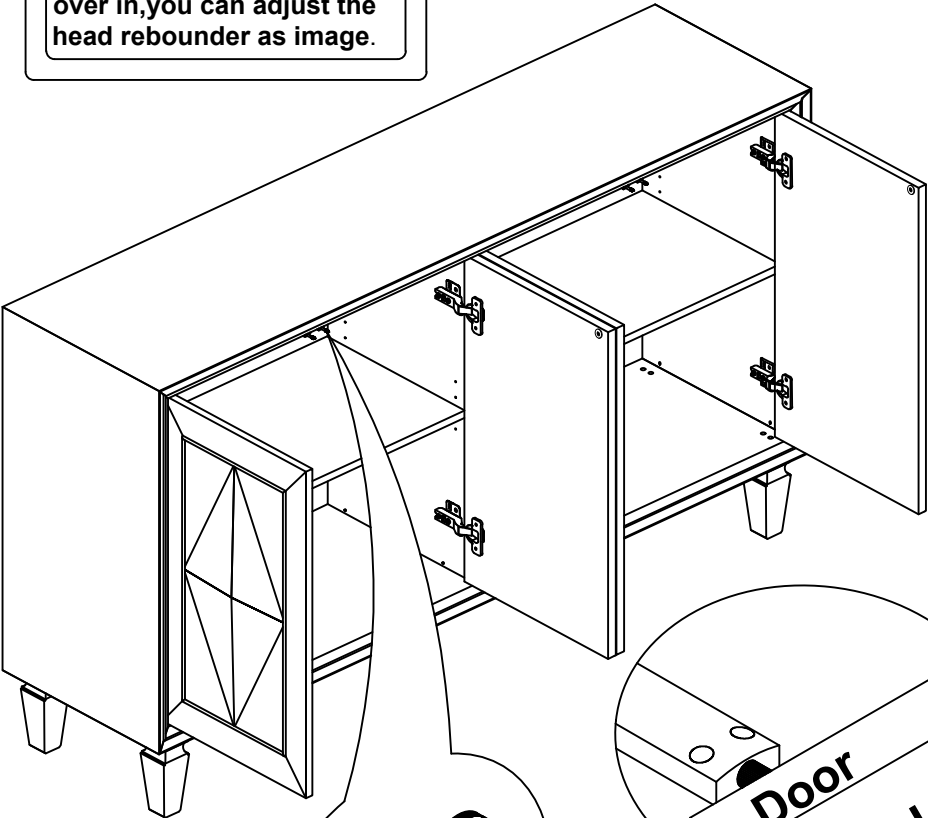
Video for door adjustment

Hinge adjustment method

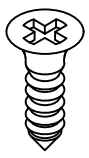
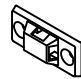
ASSEMBLY INSTRUCTIONS


STEP-17

Attention:
If the door looks over out or over in, you can adjust the head rebounder as image.



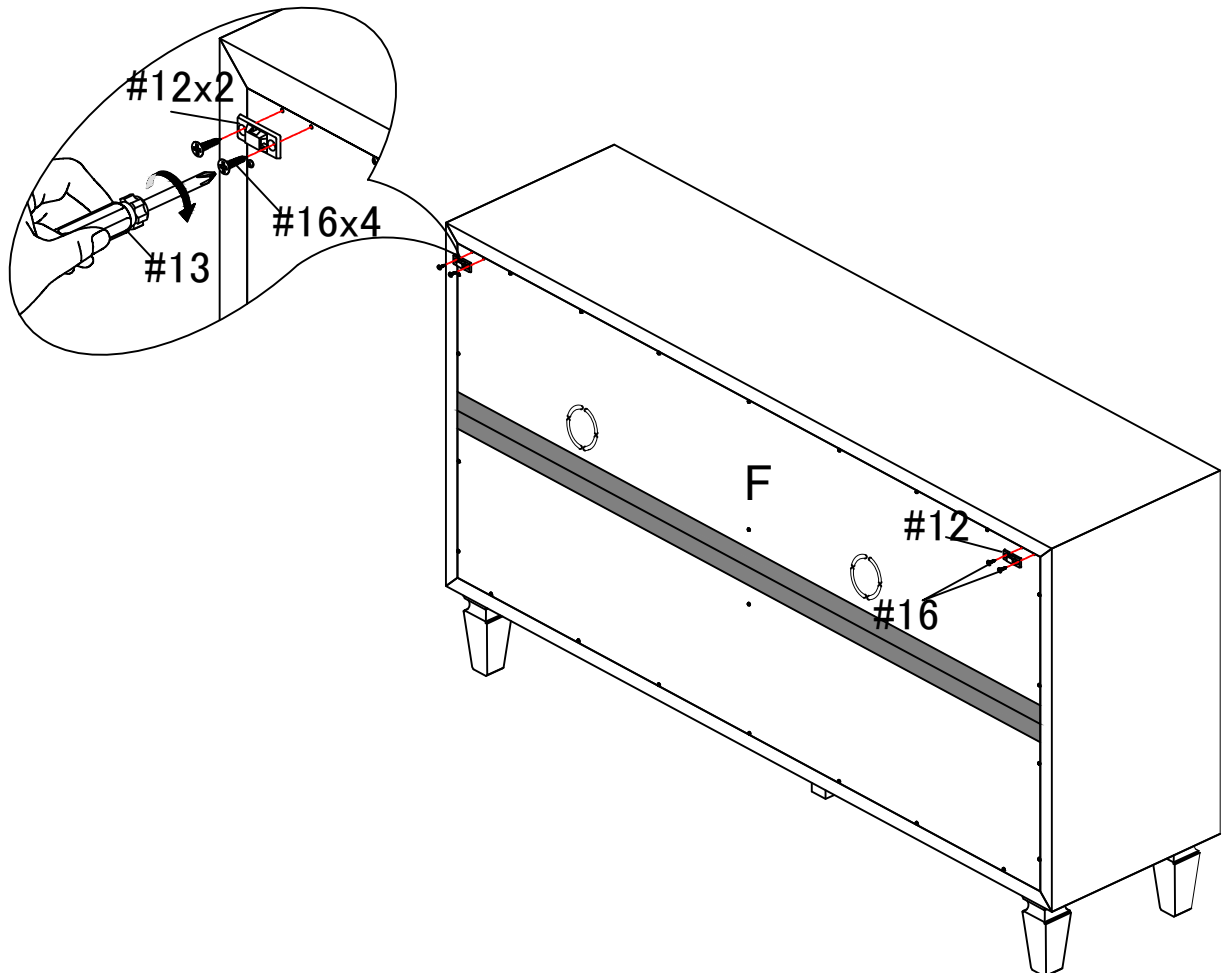
ASSEMBLY INSTRUCTIONS

#16	x4	#12	x2
			

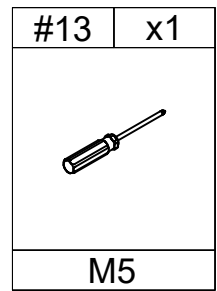
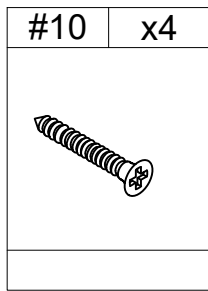
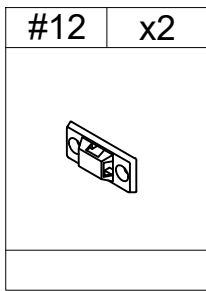
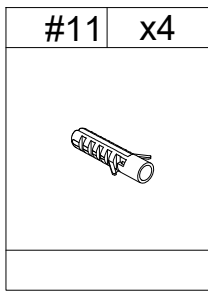
#13	x1
	
M5	

STEP-18

1. Use screw #16 to attach part #12 to preassembly unit at step 15, tighten screws with screwdriver #13.



ASSEMBLY INSTRUCTIONS

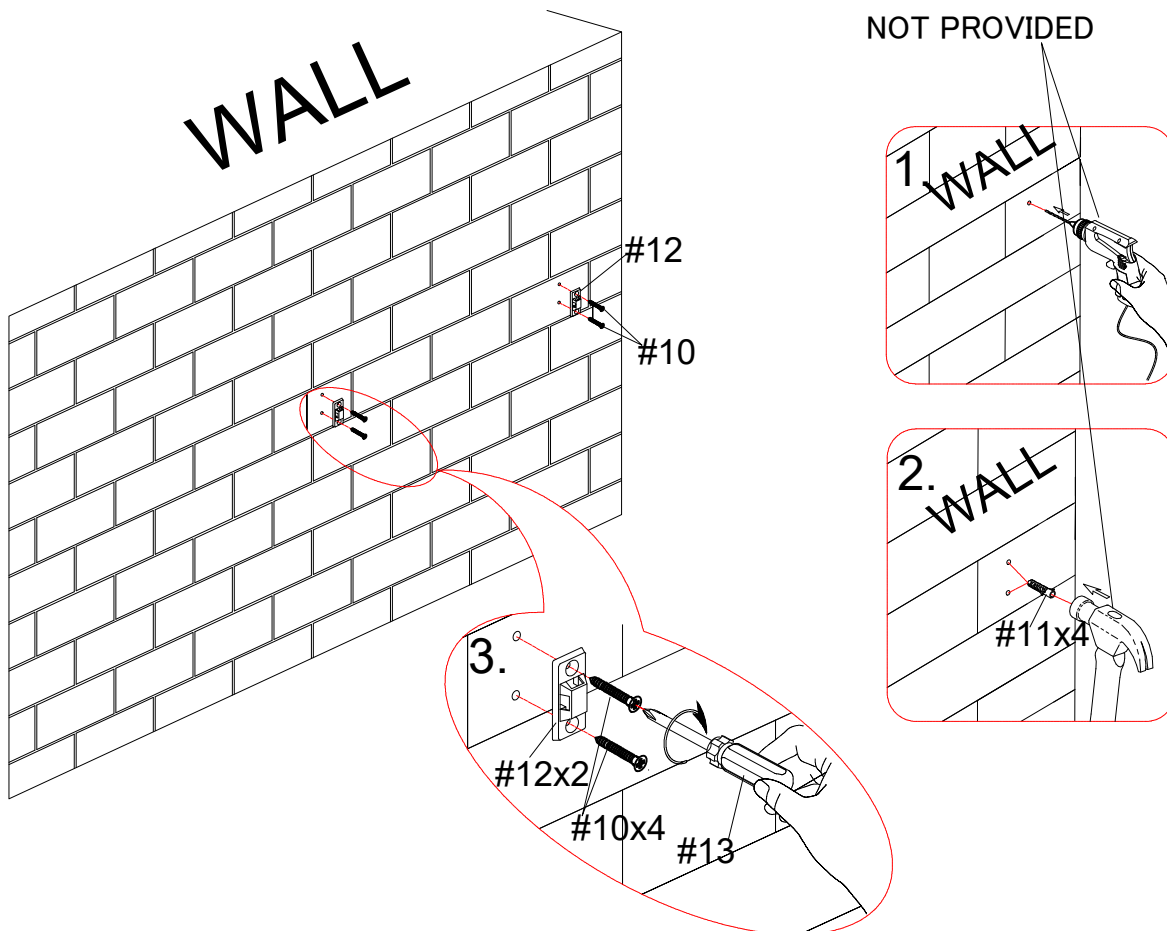


STEP-19


1. Install the anti-collapse device.

2. Mark the position on the wall, that corresponds to the location of part #12 on the back of panel (F); Drill and insert the expandable screw #11 by hammer.

3. Assemble the part #12 to the wall. Align the hole in the part #12 with the expandable screw #11, use screw #10 to attach it and tighten by screwdriver #13.

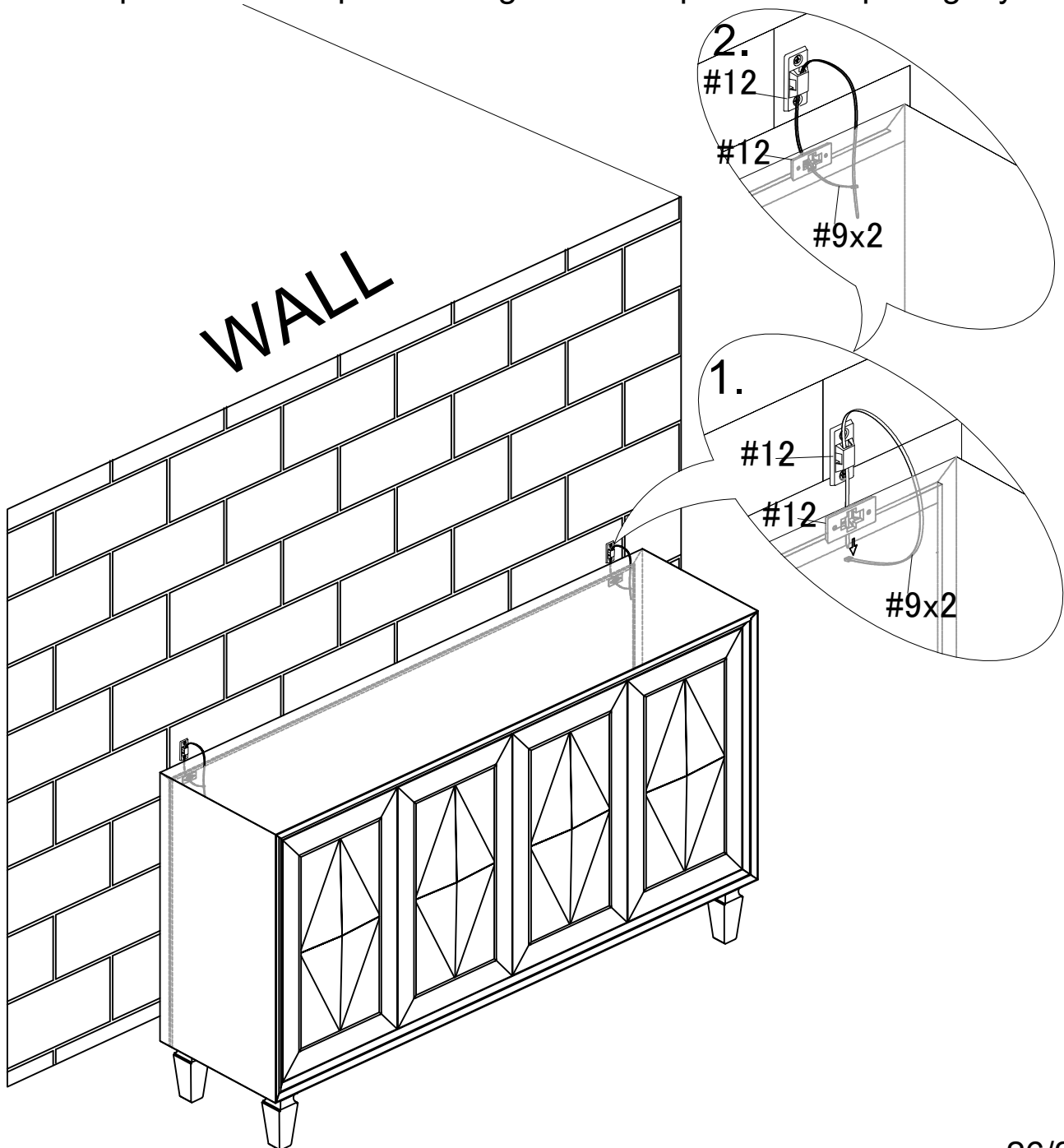


ASSEMBLY INSTRUCTIONS

#9	x2
	

STEP-20

Let the plastic belt #9 pass through the both part #9 and pull tightly.



WARRANTY

1. We strive to offer high-quality products, and we also try our best to satisfy each and every customer that orders from us with product or service as needed.
2. We provide 30 days warranty starting from the time you receive the item. Each customer must provide a record of their order such as the order number, or item receipt for any items that are out of the warranty period you may also still receive.
3. Replacement parts by purchasing them with our company if they are available.

Are you having difficulty
With assembly? Missing parts?
Please send email with your order No to
customerservice@hulalahome.com
For return, please check the return policy with
the retailer or market place you bought from.

Appreciate your purchasing from us.
Pop up your life by our furniture piece!