

规格：148.5*210mm*24P, A4纸张对折, 正反面

NurseryNook™
by HULALA
HOME

LB
Weight Limitation
88LBS



ITEM NO. BCVW1225

NOTE:

This brochure contains IMPORTANT safety info. Please read and keep for future reference.

MATTERS NEEDING ATTENTION

We suggest you spend a short time reading through this leaflet and then follow the simple step-by-step instructions. Carefully check that you have all the parts before beginning assembly. We suggest you retain these instructions for future reference.

- Keep all small parts and packaging materials for this product away from babies and children as they potentially pose a serious choking hazard.
- Keep furniture away from heat sources.
- Always place the product on a flat, steady, and stable surface.
- Do not use detergents, solvents, abrasives, spray packs, or leather cleaners.
- To clean the surface, use only water on a damp cloth. Do not use window cleaners or cleaning abrasives as it will scratch the surface and could damage the protective coating.
- Do not place furniture under direct sunlight, the material will possibly fade over time.
- Never use plastic shipping bags or other plastic film as mattress covers because they can cause suffocation.
- Do not write on furniture that is not protected by a padded barrier.
- Not for commercial use, only for residential use.
- Children should not climb or jump on the furniture.



Before You Start

- ⚠ Please read all instructions carefully.
- ⚠ Retain instructions for future reference.
- ⚠ Separate and count all parts and hardware.
- ⚠ Read through each step carefully and follow the proper order.
- ⚠ We recommend that, where possible, all items are assembled near to the area in which they will be placed in use, to avoid moving the product unnecessarily once assembled.
- ⚠ Always place the product on a flat, steady, and stable surface.
- ⚠ Keep all small parts and packaging materials for this product away from babies and children as they potentially pose a serious choking hazard.

The manufacturer's assembly instructions must be followed in detail to ensure the safety features of the crib are not compromise.

- To clean the surface, use only water on a damp cloth. Do not use window cleaners or cleaning abrasives as it will scratch the surface and could damage the protective coating.
- Read all instructions before assembling the crib. Keep instructions for future use.
- Never use plastic shipping bags or other plastic film as mattress covers because they can cause suffocation.
- Infants can suffocate in gaps between crib sides and a mattress that is too small.



Warning

Fall and Strangulation Hazard

To reduce the risk of SIDS, pediatricians recommend healthy infants be placed on their backs to sleep, unless otherwise advised by your physician.

Strangulation Hazard:

*Strings can cause strangulation! Do not place items with a string around a child's neck, such as hood strings or pacifier cords. Do not suspend strings over a crib or attach string to toys. *To help prevent strangulation tighten all fasteners. A child can trap parts of the body or clothing on loose fasteners.

*Do not place crib near window where cords from blinds or drapes may strangle a child. *Infant can suffocate on soft bedding . Never add a pillow or comforter. Never place an additional padding under an infant.



Warning

Fall Hazard:

*When the child is able to pull themselves to a standing position, adjust the mattress to its lowest setting and remove bumper pads, large toys, and other objects that could be used as steps for climbing out. *Stop using crib when child begins to climb out or reaches the height of 35 in. (89cm).



Warning

Fall and Suffocation Hazard:

*Failure to follow these warnings and assembly instructions could result in serious injury or death. Before and after assembly, and frequently during use, check this product for damaged hardware, loose joints, loose bolts or other fasteners, missing parts, or sharp edges. Ensure all loose bolts and other fasteners are securely tightened. Do not use the crib if any parts are missing, damaged, or broken. Contact Hulala Home INC (Karat Home INC). for replacement parts and instructional literature if needed. *Do not substitute any parts. *The minimum age shall not be less than 15 months and the maximum weight shall not be greater than 50 lb (22.7kg).



Avant de Commence

- ⚠ Veuillez lire attentivement toutes les instructions.
- ⚠ Conservez les instructions pour vous y référer ultérieurement.
- ⚠ Vérifiez toutes les pièces et les accessoires.
- ⚠ Lisez attentivement chaque étape et suivez l'ordre correct.
- ⚠ Nous recommandons que, dans la mesure du possible, tous les produits soient assemblés à proximité de la zone où ils seront utilisés, afin d'éviter tout déplacement inutile du produit une fois assemblé.
- ⚠ Placez toujours le produit sur une surface plane et stable.
- ⚠ Conservez toutes les petites pièces de ce produit et les matériaux d'emballage hors de portée des bébés et des enfants, car ils pourraient présenter un risque d'étouffement.

Les instructions d'assemblage du fabricant doivent être suivies en détail pour s'assurer que les caractéristiques de sécurité du lit de bébé ne sont pas compromises.

- Pour nettoyer la surface, utilisez uniquement de l'eau sur un chiffon humide. N'utilisez pas de nettoyeurs pour vitres ou de produits abrasifs, car ils égratigneraient la surface et pourraient endommager le revêtement protecteur.
- Lisez toutes les instructions avant d'assembler le lit d'enfant. Conservez les instructions pour une utilisation ultérieure.
- N'utilisez jamais de sacs d'expédition en plastique ou d'autres films en plastique comme housses de matelas, car ils peuvent provoquer une suffocation.
- Les nourrissons peuvent suffoquer dans les espaces entre les côtés du lit et un matelas trop petit.



Warning

Risque de Chute de Suffocation

Pour réduire le risque de mort subite du nourrisson, les pédiatres recommandent de coucher les enfants en bonne santé sur le dos pour dormir, sauf avis contraire du médecin.

Risque de Strangulation :

*Les ficelles peuvent provoquer une strangulation ! Ne placez pas d'objets munis d'une ficelle autour du cou de l'enfant, tels que les cordons de capuche ou de sucette. Ne suspendez pas de ficelles au-dessus d'un lit d'enfant et n'attachez pas de ficelles à des jouets. *Pour éviter la strangulation, serrez toutes les attaches. Un enfant peut coincer des parties de son corps ou de ses vêtements dans des attaches mal serrées. *NE PAS placer le lit d'enfant près d'une fenêtre où les cordons des stores ou des rideaux peuvent étrangler l'enfant.



Warning

Risque de Chute :

*Lorsque l'enfant est capable de se mettre debout, placez le matelas dans la position la plus basse et retirez les bordures de protection, les gros jouets et autres objets qui pourraient servir de marchepieds pour sortir du lit. *Cessez d'utiliser le lit lorsque l'enfant commence à grimper ou atteint une hauteur de 35" (89 cm)

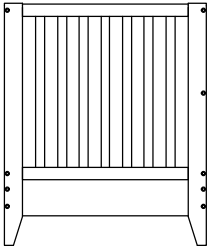


Warning

Risque de Chute et de Suffocation:

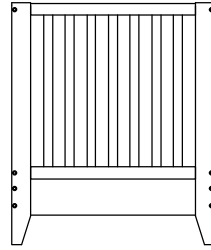
* Le non-respect de ces avertissements et des instructions d'assemblage peut entraîner des blessures graves, voire mortelles. Vérifiez que ce produit ne présente pas d'accessoires endommagés, de joints desserrés, de boulons ou autres fixations mal serrés, de pièces manquantes ou d'arêtes vives avant et après l'assemblage et fréquemment pendant l'utilisation. Serrez fermement les boulons et autres fixations desserrés. NE PAS utiliser le lit d'enfant si des pièces sont manquantes, endommagées ou cassées. Contactez Hulala Home INC (Karat Home INC) pour obtenir des pièces de rechange et de la documentation d'instruction si nécessaire. *NE PAS remplacer les pièces.

Parts List



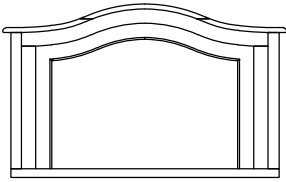
Headboard

① x 1



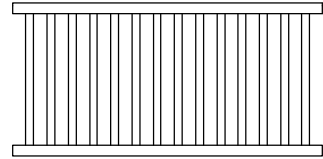
Footboard

② x 1



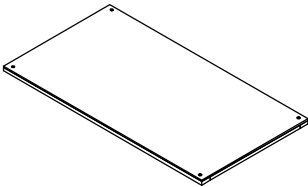
Side Panel Back

③ x 1



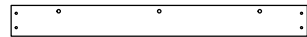
Side Panel

④ x 1



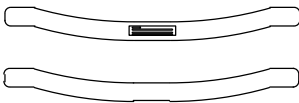
Mattress Board

⑤ x 1



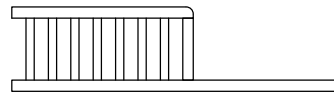
Long Frame Panel

⑥ x 2



Rocking Rail

⑦ x 2



Bedguard

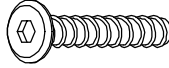
⑧ x 1

Hardware Inventory



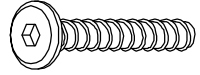
M6x15MM
Allen Head Bolt

A x 21



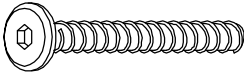
M6x35MM
Allen Head Bolt

B x 12



M6x40MM
Allen Head Bolt

C x 4



M6x55MM
Allen Head Bolt

D x 8



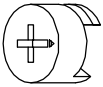
Mattress Pin

E x 4



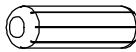
Minifix Pin

F x 6



Minifix Lock

G x 6



ø8x30MM
Wood Dowel

H x 4



Barrel Nut

I x 8



Jcn-nut

J x 9



Washer Spring

K x 41



Washer

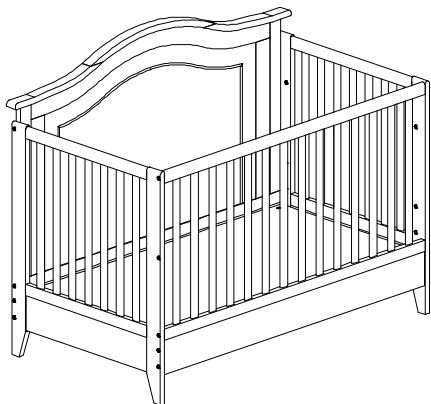
L x 41



Allen Key 50MM

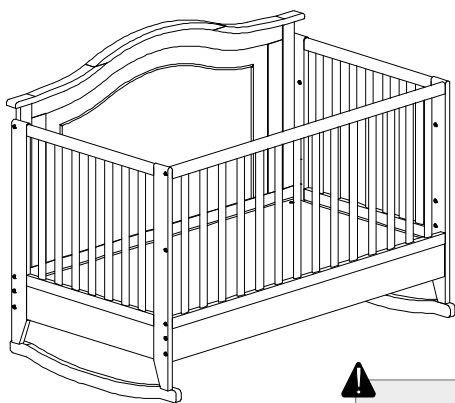
M x 1

FIVE USAGE METHODS



Method A **Baby Cot**

Page 10-14



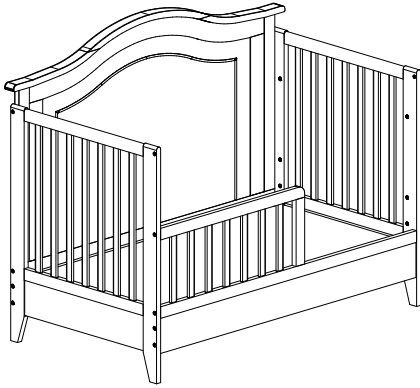
Method B **Add on Rocking Rail**

Page 15



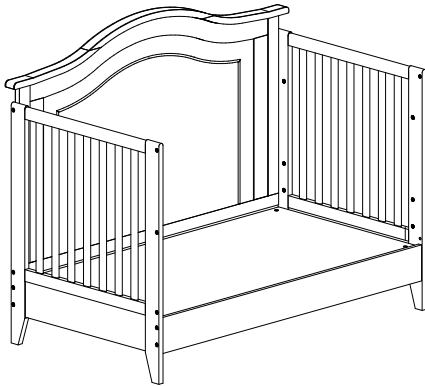
NOTE:

This accessory function is designed for infants under 5 months old. Remove the sleigh rocking rail when infant reaches 5 months of age or when the child begins to push up on hands and knees, whichever comes first.



Method C
Add on Bedguard

Page 16-18



Method D
Convert to Day Bed

Page 19-22

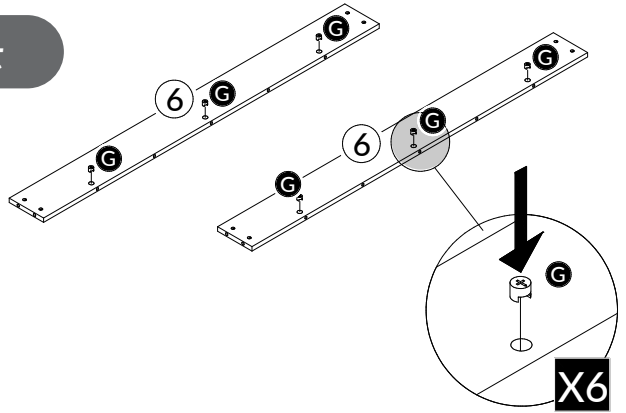


Method E
Convert to Desk

Page 23-24

PRODUCT ASSEMBLY

Method A-Baby Cot



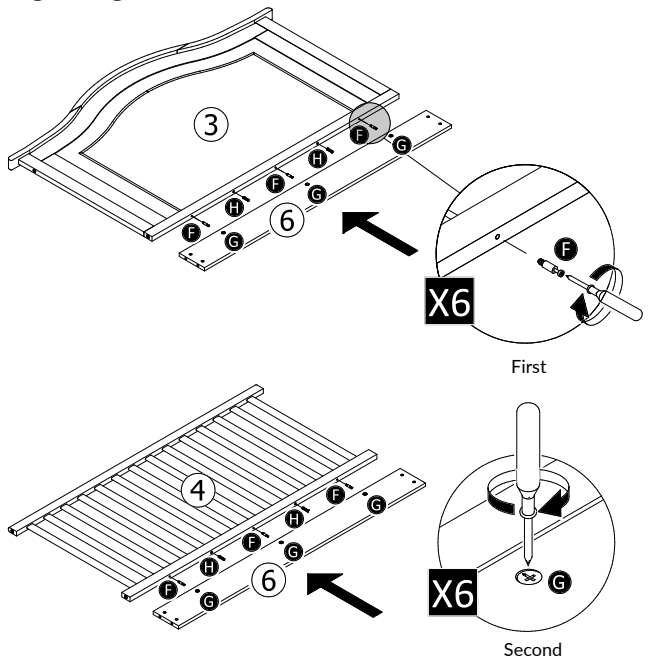
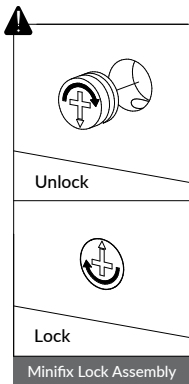
Step 1

Insert hardware **G** into part **6**.

Step 2

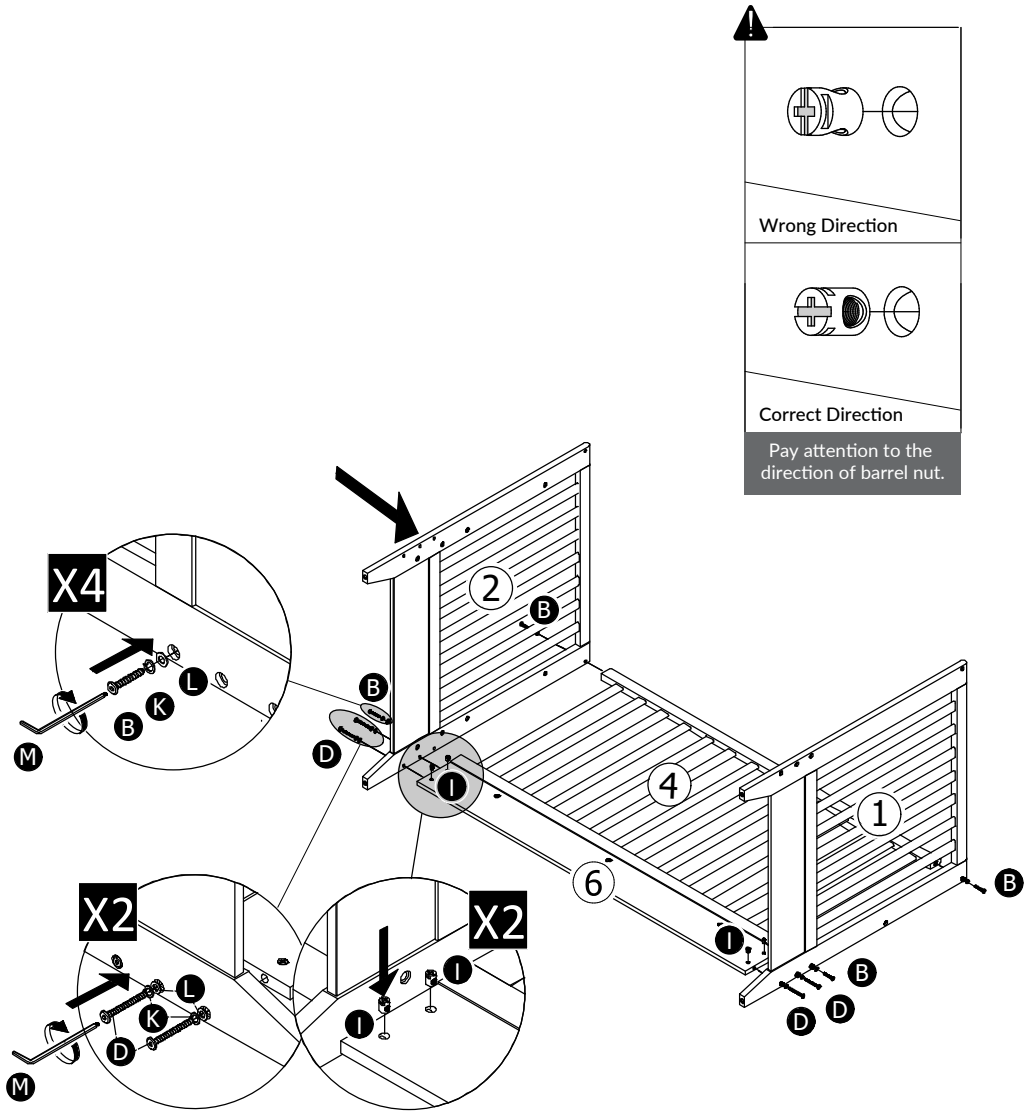
First, Insert hardware **F** and **H** into Part **3** and **4**.

Second, Attach Part **6** to Part **3** and **4**.



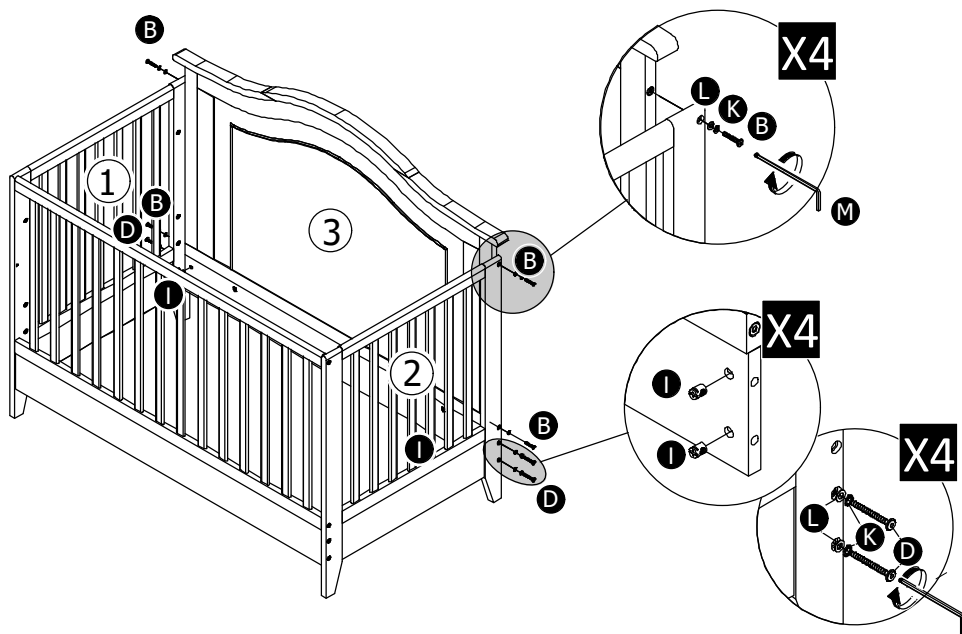
Step 3

Attach Part ① and ② to Part ④ and ⑥ .



Step 4

Attach Part ① and ② to Part ③ and ⑥ .



Step 5

First, Choose mattress level.

Second, Attach Part ⑤ to the cot assembly.



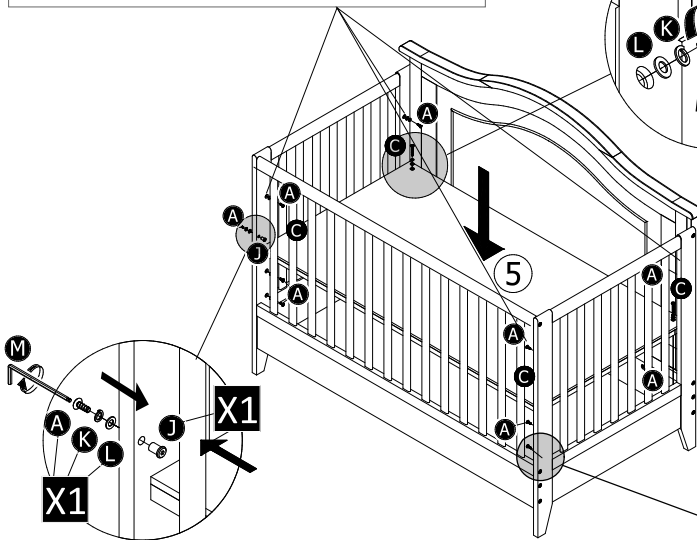
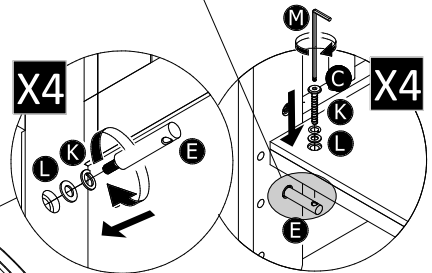
WARNING:

Ensure unused mattress board mounting holes on the end panels are blanked off with the supplied blanking screws and tightened to prevent finger entrapment and swallowing hazards.

NOTE:

These 4 holes are only used to assemble the mattress board as a table. It can only be used at the table level. Do not use this level when it is a baby cot.

Please lock Part E till the end but do not tighten it. Make sure the screw holes are facing up, so Part C would be able to connect it.

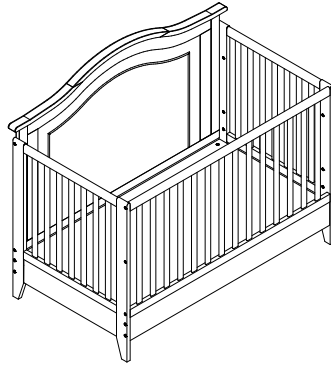


Do Not Tighten Allen Head Boltca At This stage!!!

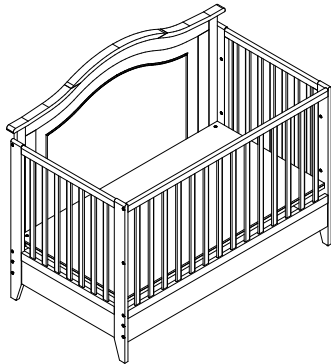
Three Mattress Positions

You can choose the mattress height according to your needs.

First Level Mattress Position



Second Level Mattress Position



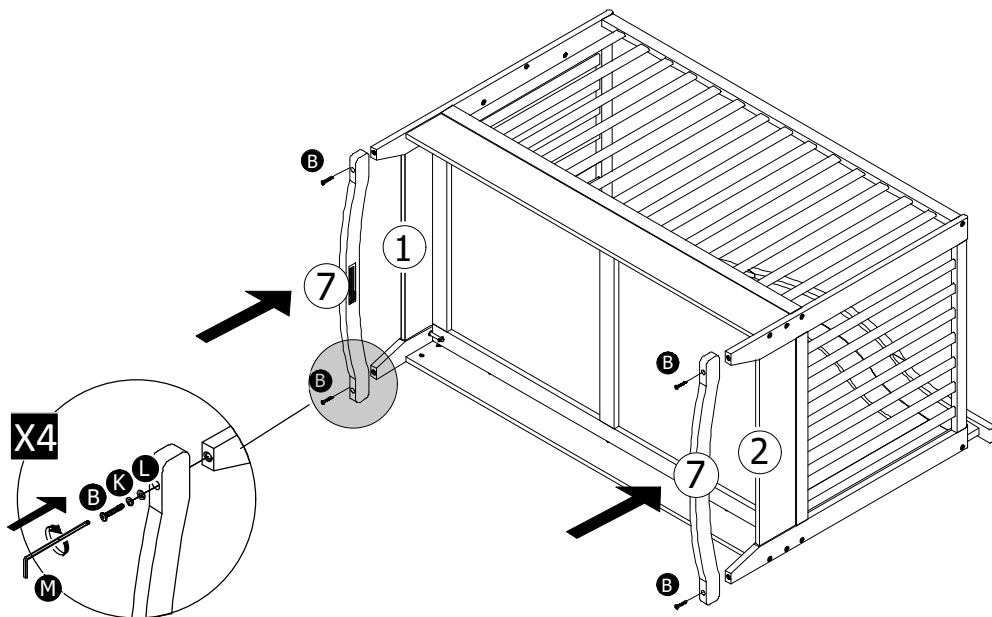
Third Level Mattress Position



Method B-Add on Rocking Rail

First, Insert hardware **B** into Part **7**.

Second, Attach Part **7** to Part 1 and **2**.



Make Sure All Allen Head Bolts Are Tightened!!



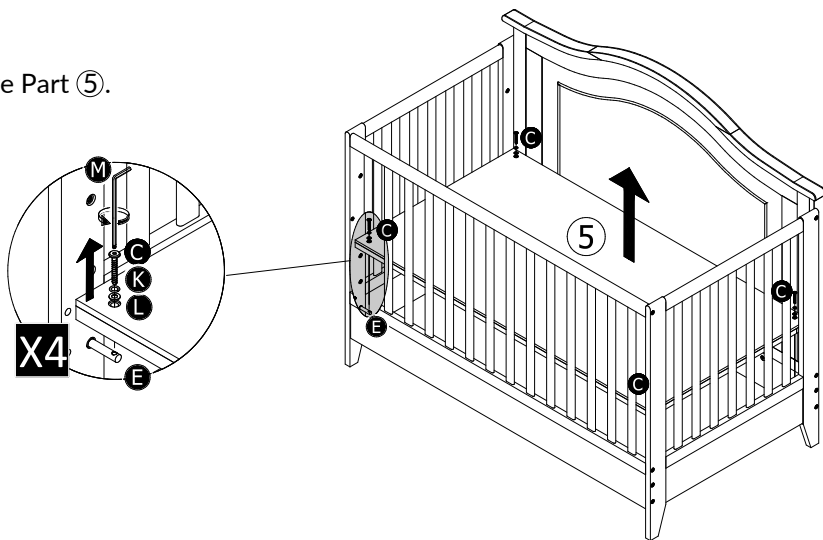
WARNING:

This accessory function is designed for infants under 5 months old. Remove the sleigh rocking rail when the infant reaches 5 months of age or when the child begins to push up on hands and knees, whichever comes first.

Method C-Add on Bedguard

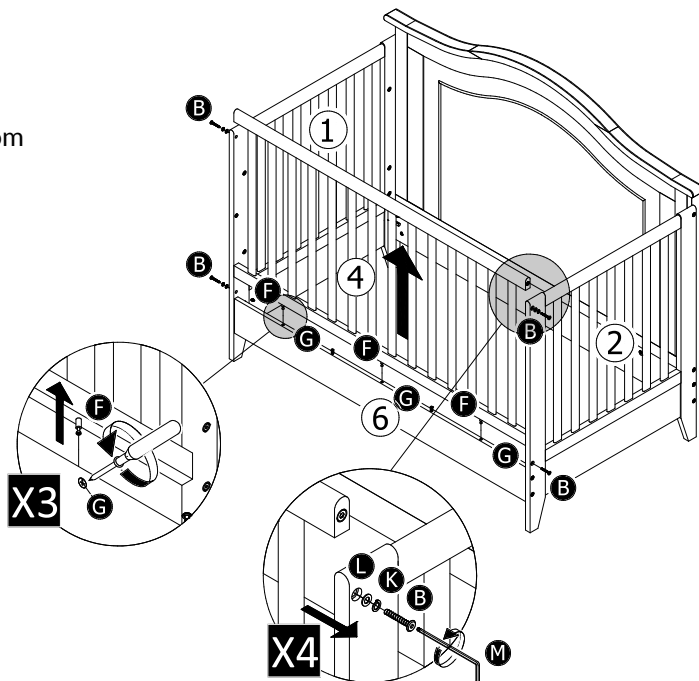
Step 1

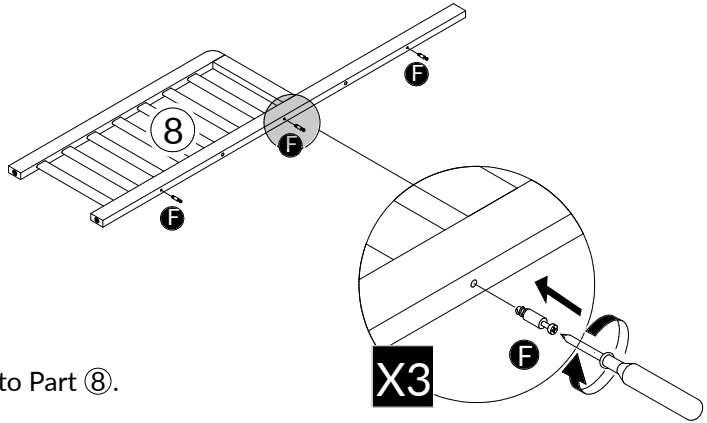
First, Remove Part ⑤.



Step 2

Remove Part ④ from Part ①, ② and ⑥.



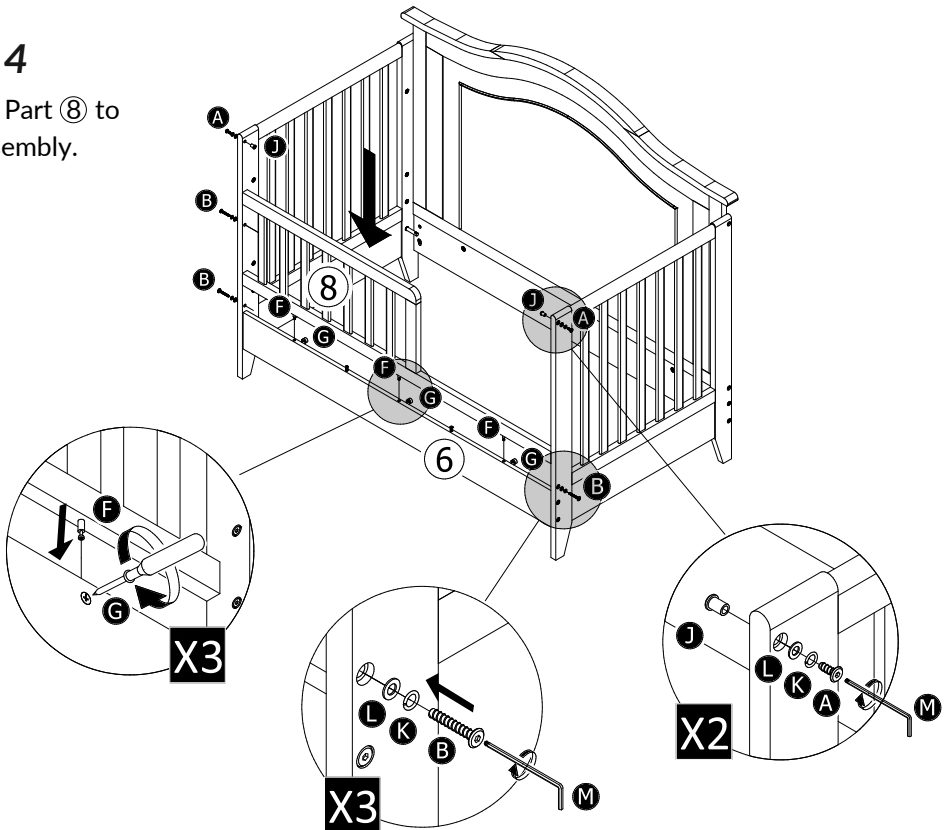


Step 3

Insert hardware **F** into Part **8**.

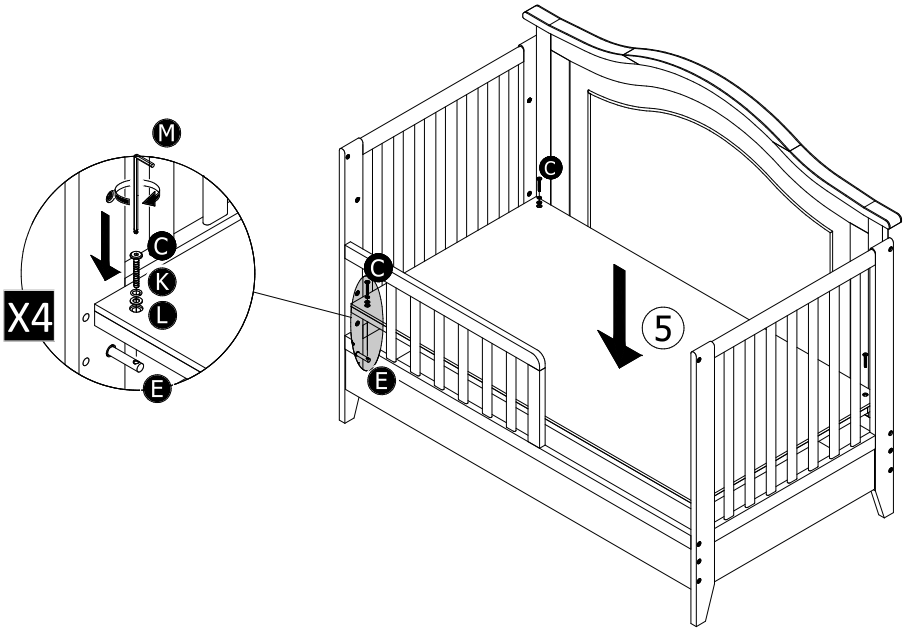
Step 4

Attach Part **8** to cot assembly.

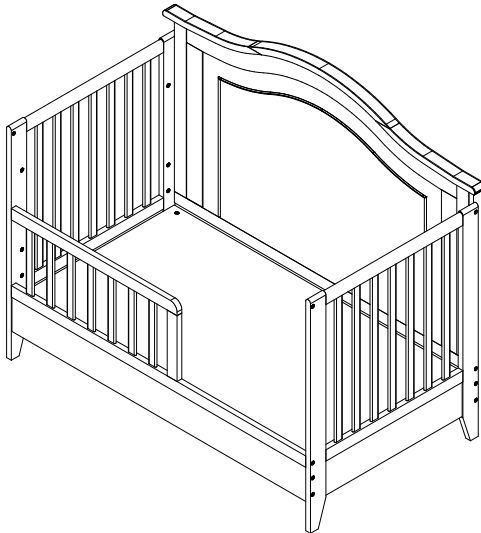


Step 5

Attach Part ⑤ to first level mattress position for cot assembly.



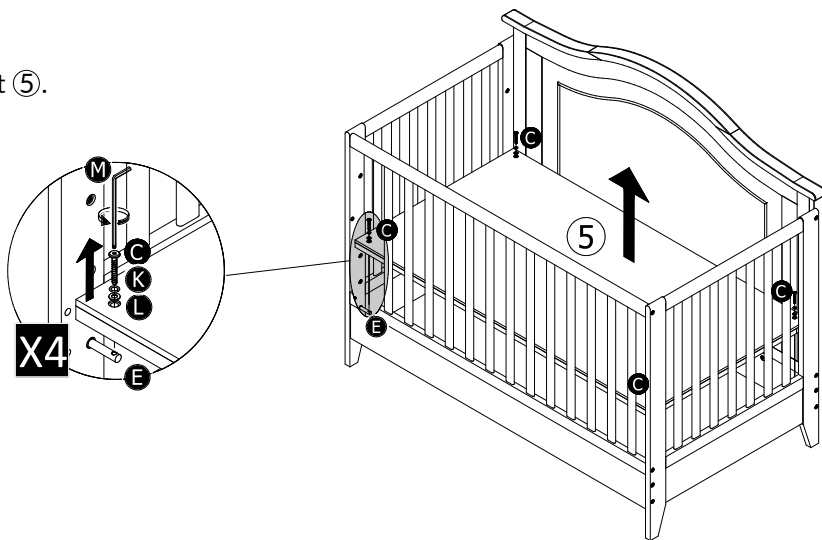
Final Effect



Method D-Convert to Day Bed

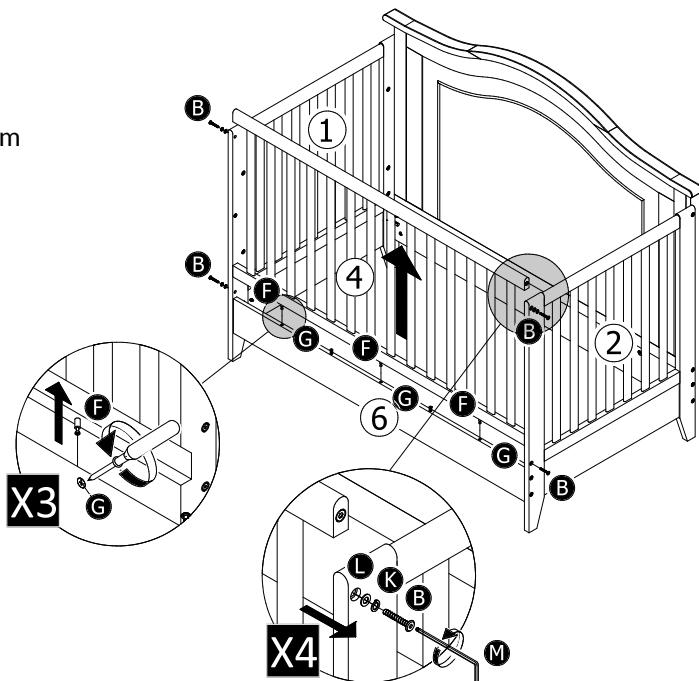
Step 1

Remove Part ⑤.



Step 2

Remove Part ④ from Part ①, ② and ⑥.



Step 3

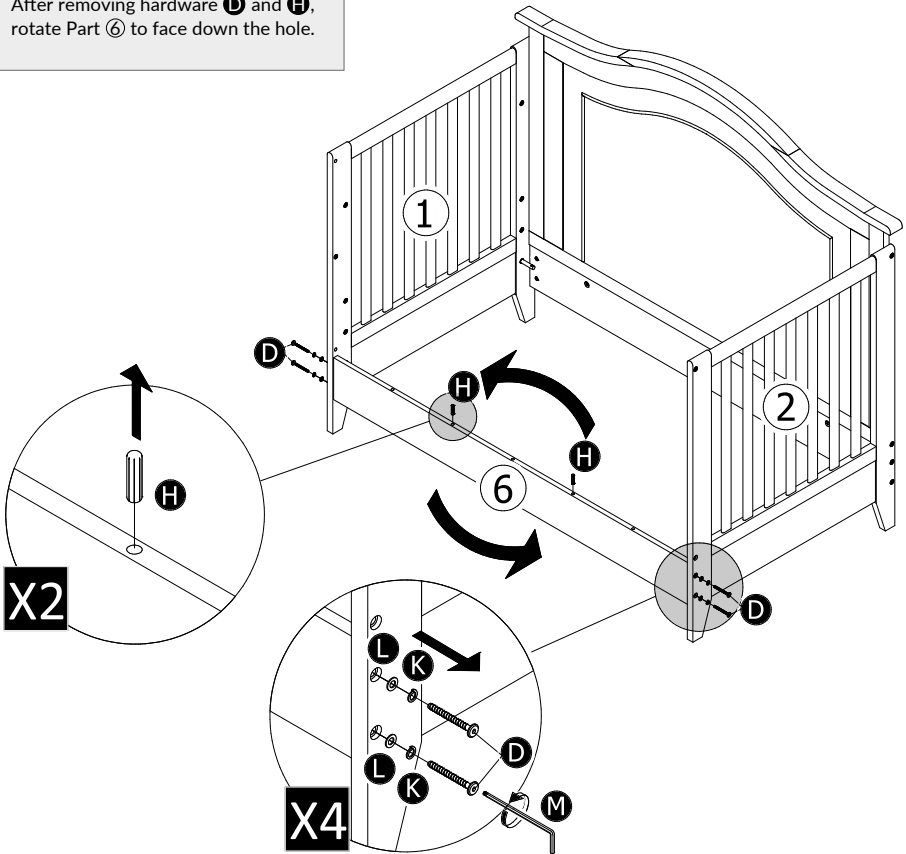
First, Remove Part ⑥ (front) from Part ① and ②.

Second, Rotate Part ⑥ (front) to make sure all holes are facing down.



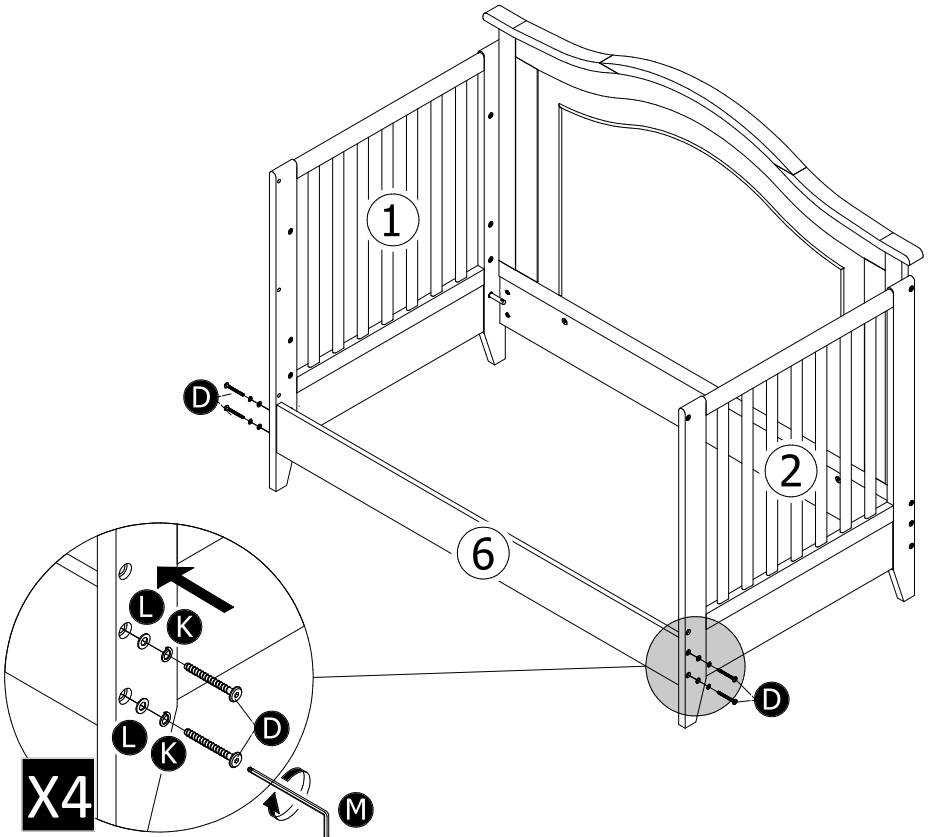
NOTE:

After removing hardware **D** and **H**, rotate Part ⑥ to face down the hole.



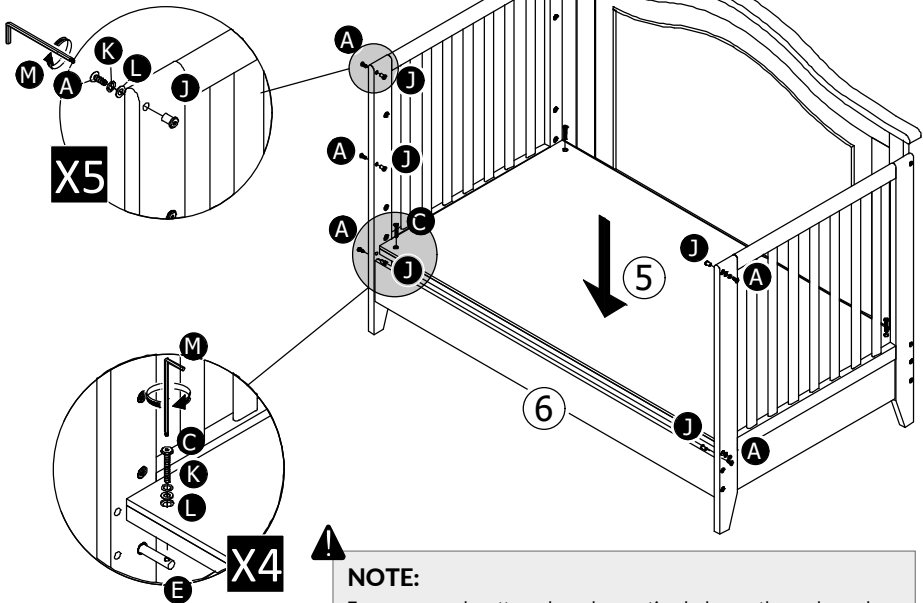
Step 4

Attach Part ⑥ (front) to Part ① and ②.



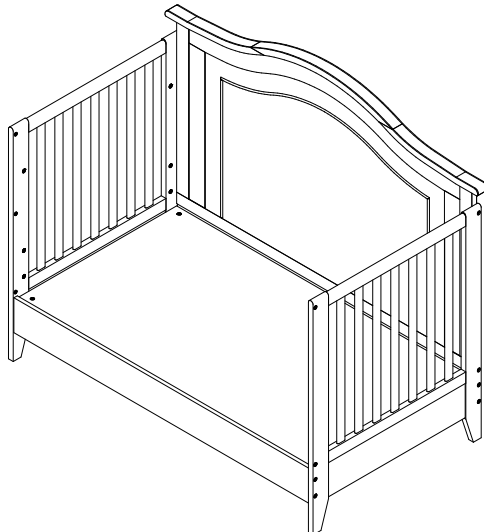
Step 5

Attach Part ⑤ to day bed assembly.



Ensure unused mattress board mounting holes on the end panels are blanked off with the supplied blanking screws and tightened to prevent finger entrapment and swallowing hazards.

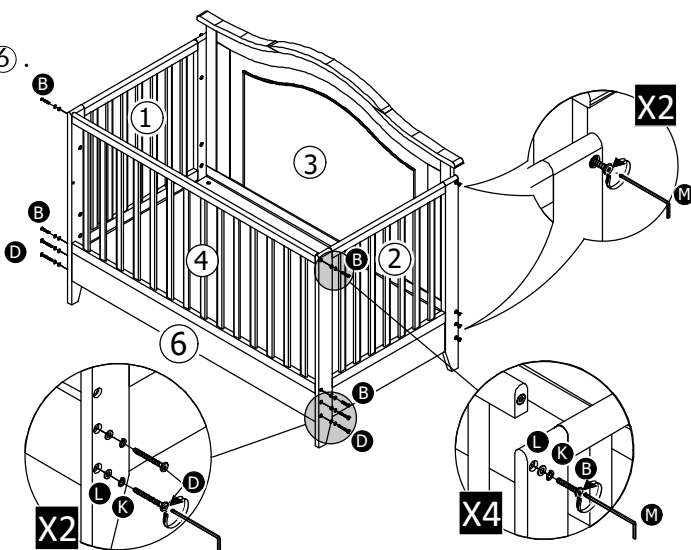
Final Effect



Method E-Convert to Desk

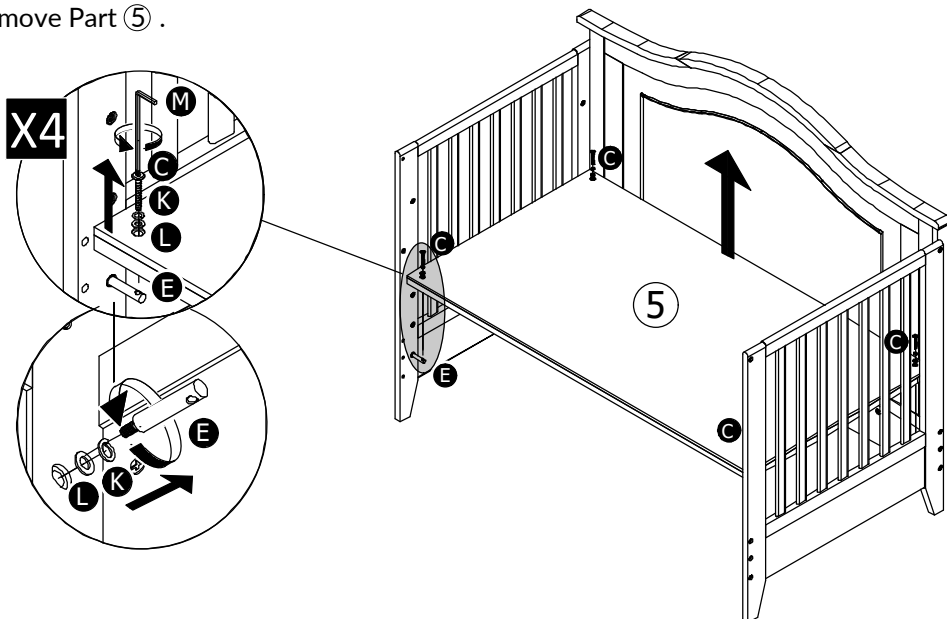
Step 1

Remove Part ④ and Part ⑥ .
Just loosen all the Bolts at
Part ③ and ⑥ from
Part ① and ②.



Step 2

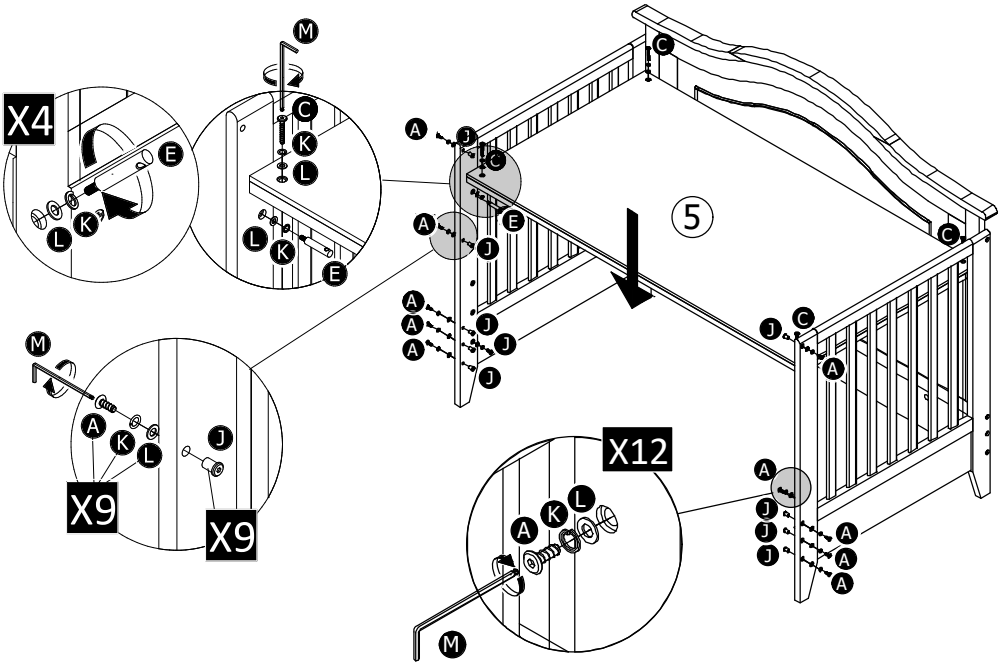
Remove Part ⑤ .



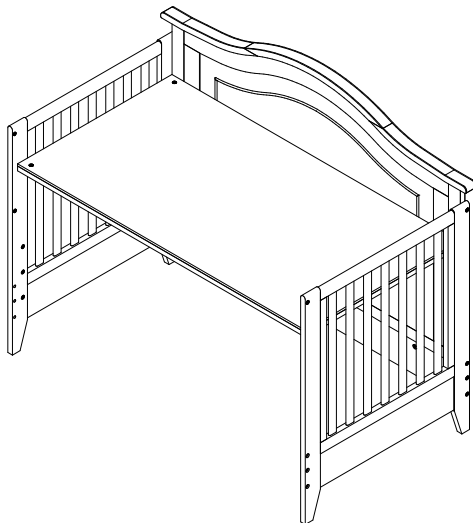
Step 3

First, Attach Part ⑤ to desk assembly.

Second, Insert hardware **A** and **J**.



Final Effect



WARRANTY

- We strive to offer quality products, and we also try our best to satisfy every customer who orders from us with products or services as needed.
- We provide 30 days warranty starting from the time you receive the item. Each customer must provide a record of their orders such as the order number, or item receipt for any items that are out of the warranty period you may also still receive.
- Replacement parts by purchasing them from our company if they are available.

Are you having difficulty

With assembly? Missing parts?
Please send an email with your order No. to
customerservice@hulalahome.com

For return, please check the return policy with the retailer or market place you bought from.

***Appreciate your purchasing from us.
Pop up your life by our furniture piece!***