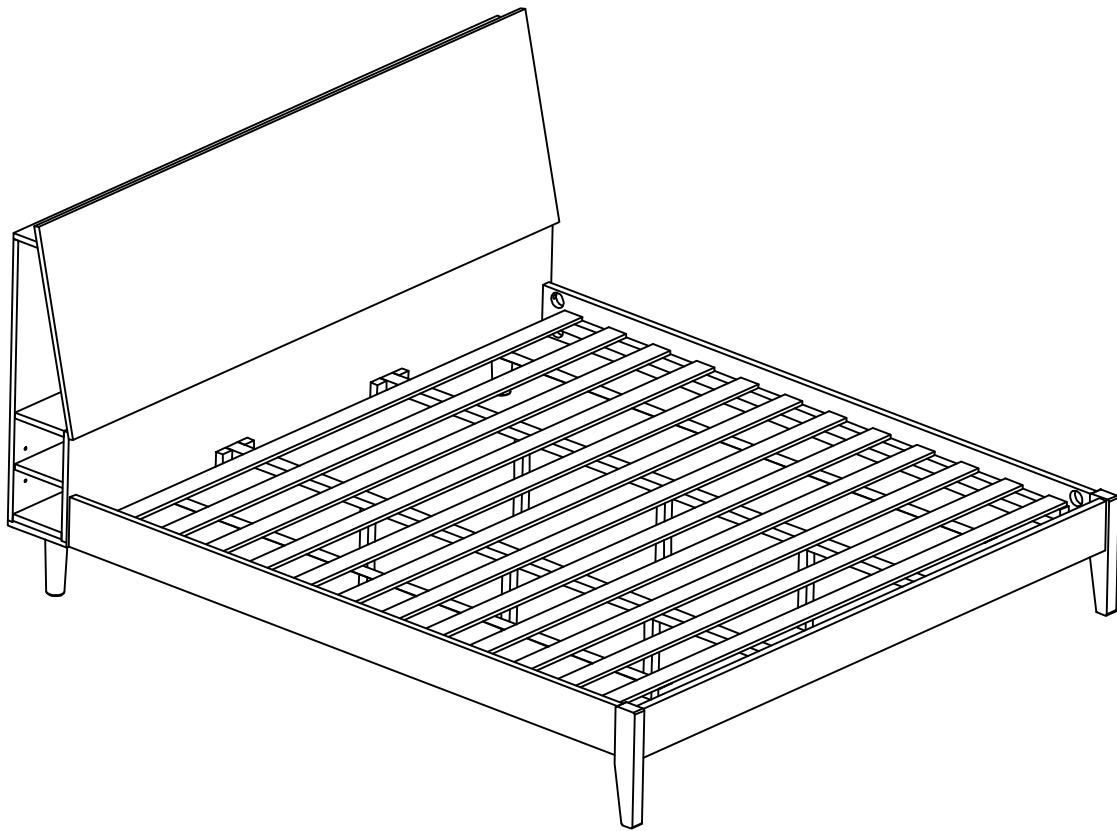


HULALA

H O M E



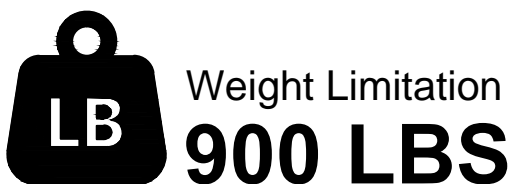
ITEM NO.BDJE1026-KB

NOTE:

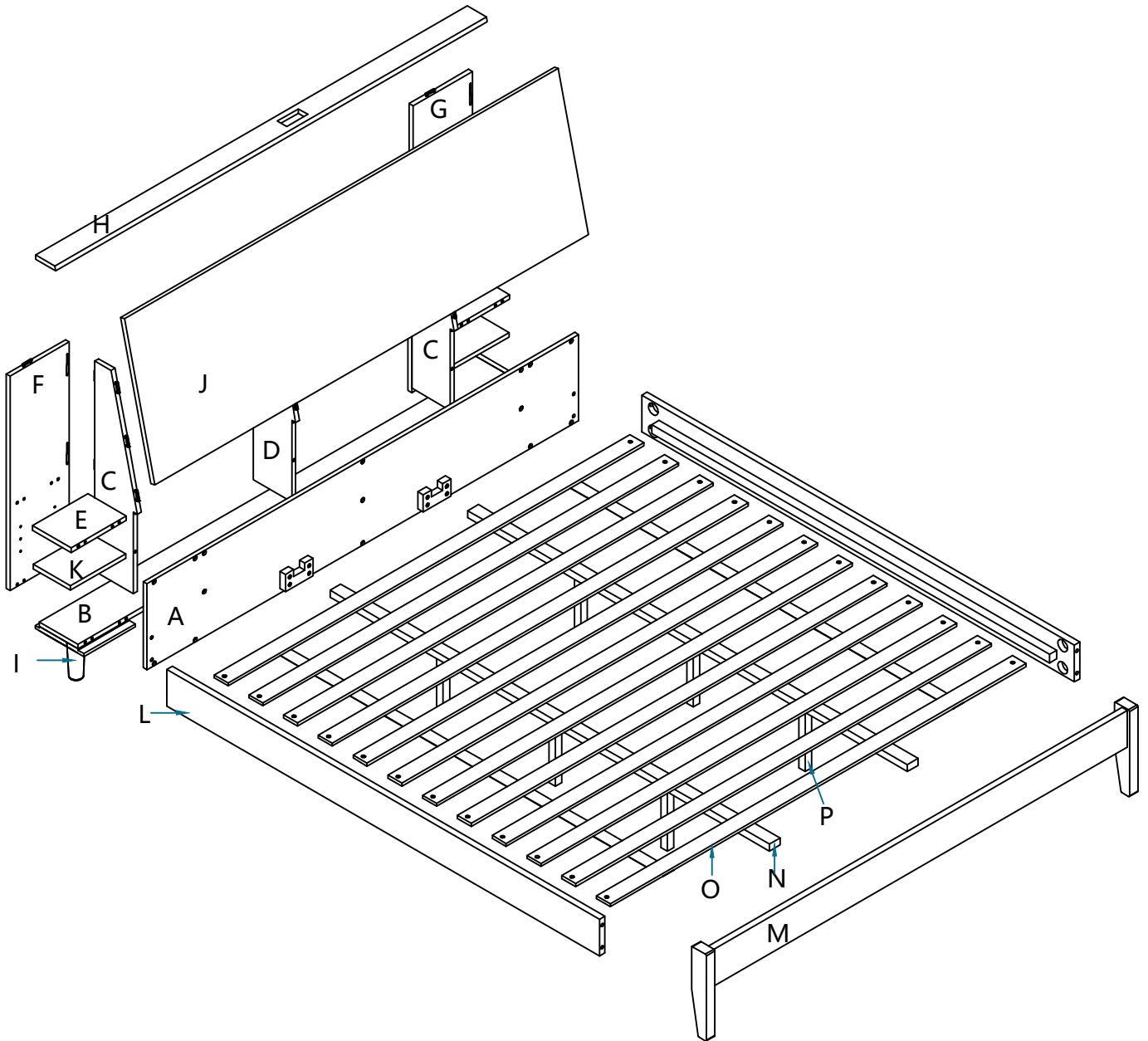
This brochure contains IMPORTANT safty info. Please read and keep for future reference.

MAINTAINANCE AND WARNING

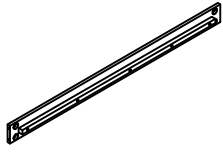
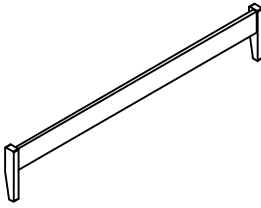
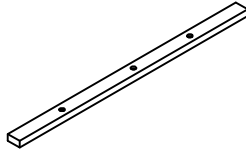
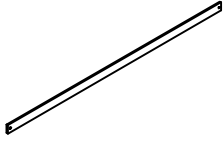
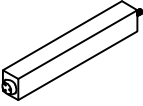
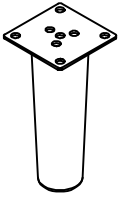
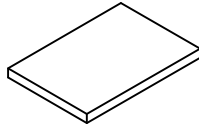
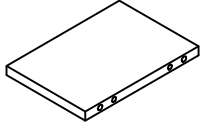
- .Keep furniture away from heat sources.
- .Do not clean furniture with harsh cleaner or polishes.Do not use detergents,solvents,abrasives,spray packs or leather cleaner. Use non-color mild soa with warm water to clean spills(Mix 1:10 soap to water).
- .Do not place furniture under direct sunlight,material will possibly fade over time.
- .Do not use on site dry cleaning machine.Children should not climb or jump on the furniture.
- .Do not write on furniture that is not protectedby a padded barrier.
- .Not for commercial use,only for residential use.



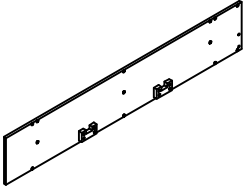
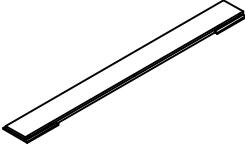


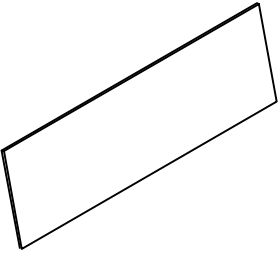


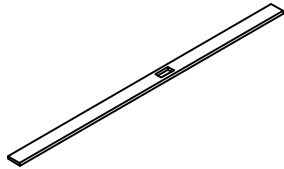
EXPLOSIVE VIEW



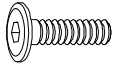


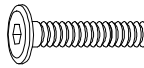
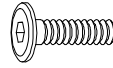


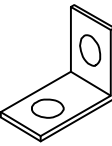
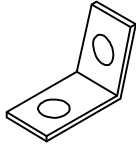
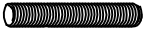
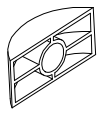

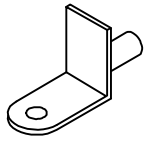
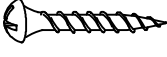
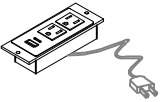


BDJE1026-KB-A PARTS LIST

L	x2	M	x1	N	x2	O	x12
							
P	x6	I	x2	K	x2	E	x2
							

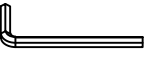
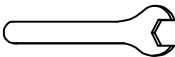
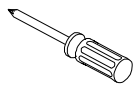
BDJE1026-KB-B PARTS LIST

A	x1	B	x1	C	x2	D	x1
							
J	x1	F	x1	G	x1	H	x1
							

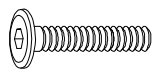
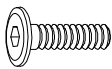


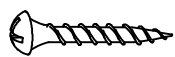
HARDWARE LIST (BDJE1026-KB-A)

#1	x8	#2	x8	#3	x8	#4	x23	#5	x12	#6	x35
											
$\phi 5/16 \times 3/4"$		$\phi 5/16$		$\phi 5/16$		$\phi 1/4 \times 2"$		$\phi 1/4 \times 5/8"$		$\phi 1/4"$	
#7	x35	#8	x3	#9	x3	#10	x8	#11	x8	#12	x8
											
$\phi 1/4"$		25x25*25(2)		25x25*25(2)		$\phi 5/16 \times 3-1/8"$		$\phi 5/16$		$\phi 5/16$	
#13	x8	#14	x28	#15	x1	#16	x2	#17	x23		
											
		$\phi 8 \times 1"$				$\phi 3.5 \times 5/8"$		$\phi 25 \times 1$			

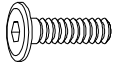
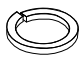


TOOL LIST (BDJE1026-KB-A)

#18	x1	#19	x1	#20	x1
					
M4		12		95	

HARDWARE SPARE LIST (BDJE1026-KB-A)

#4	x2"	#5	x2	#6	x4	#7	x4	#14	x2
									
$\phi 1/4 \times 2"$		$\phi 1/4 \times 5/8"$		$\phi 1/4"$		$\phi 1/4"$		$\phi 8 \times 1"$	

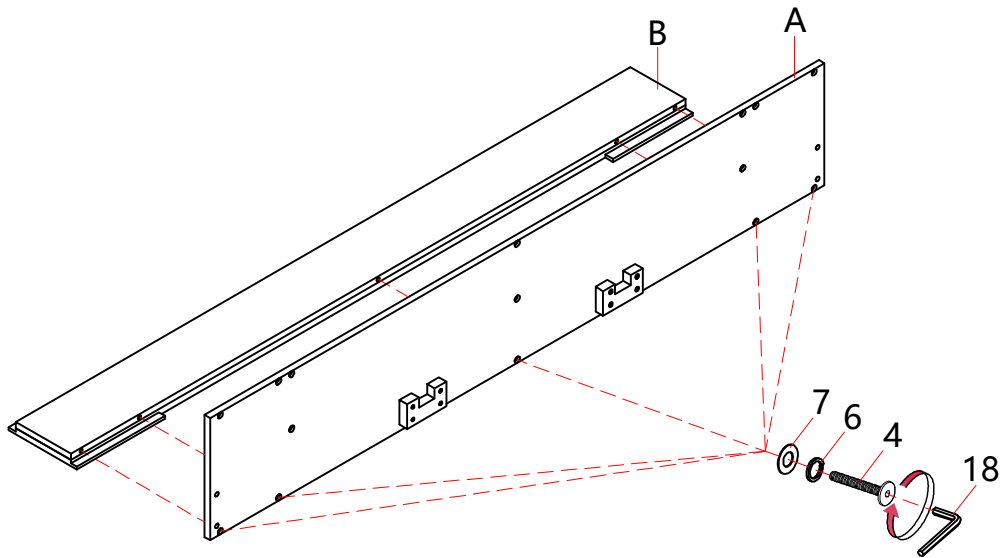
HARDWARE SPARE LIST (BDJE1026-KB-A)

#1	x2	#2	x2	#3	x2	#17	x2
							
φ5/16x3/4"		φ5/16		φ5/16		φ25x1	

ASSEMBLY INSTRUCTIONS

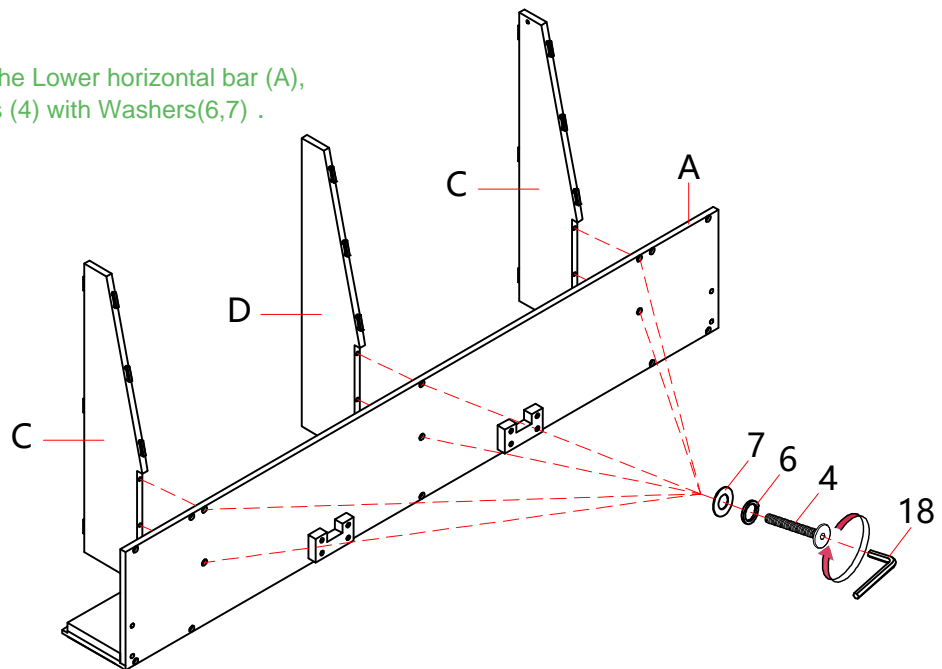
STEP-1

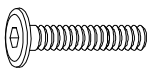


Align Lower horizontal bar (A) to the Bottom (B), then secure by using Bolts (4) with Washers (6,7).



STEP-2

Align Middle bar (C,D) to the Lower horizontal bar (A), then secure by using Bolts (4) with Washers(6,7) .

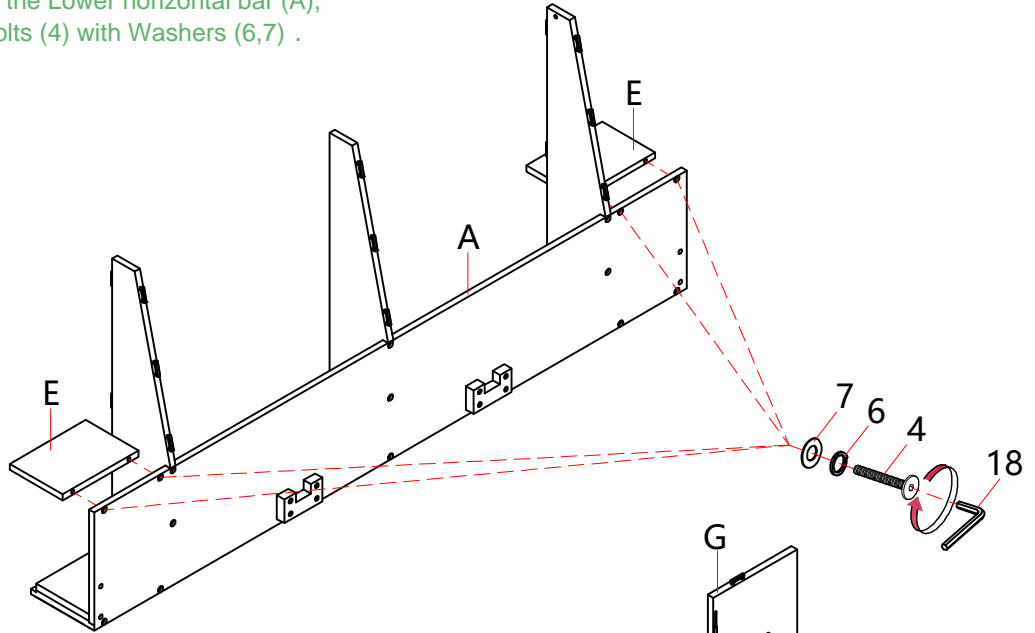


#4	x11	#6	x11	#7	x11
					
φ1/4x1-38"		φ1/4"		φ1/4"	

ASSEMBLY INSTRUCTIONS

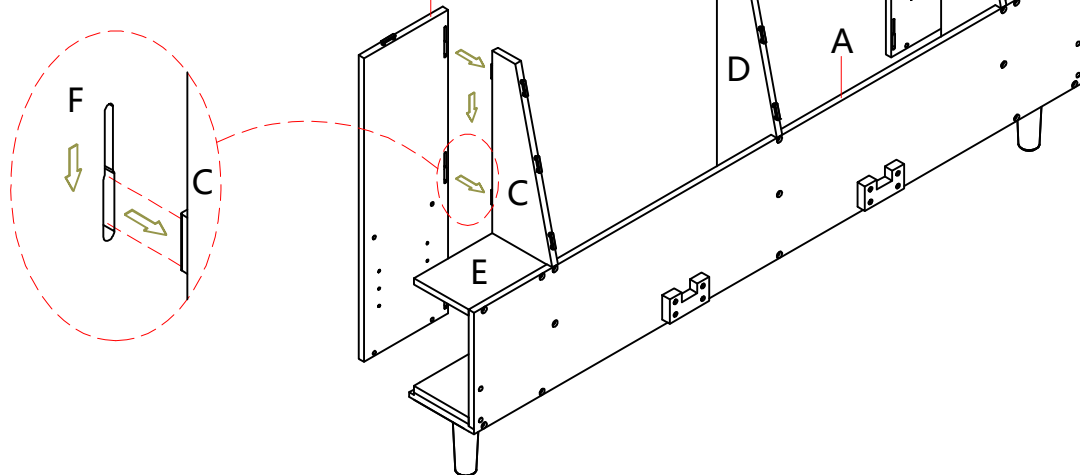
STEP-3

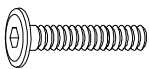


Align Upper panel (E) to the Lower horizontal bar (A), then secure by using Bolts (4) with Washers (6,7) .



STEP-4

Align left Side panel (F) right Side panel (G) to the Middle bar (C), then secure by hooking from top to the bottom of Middle bar (C).

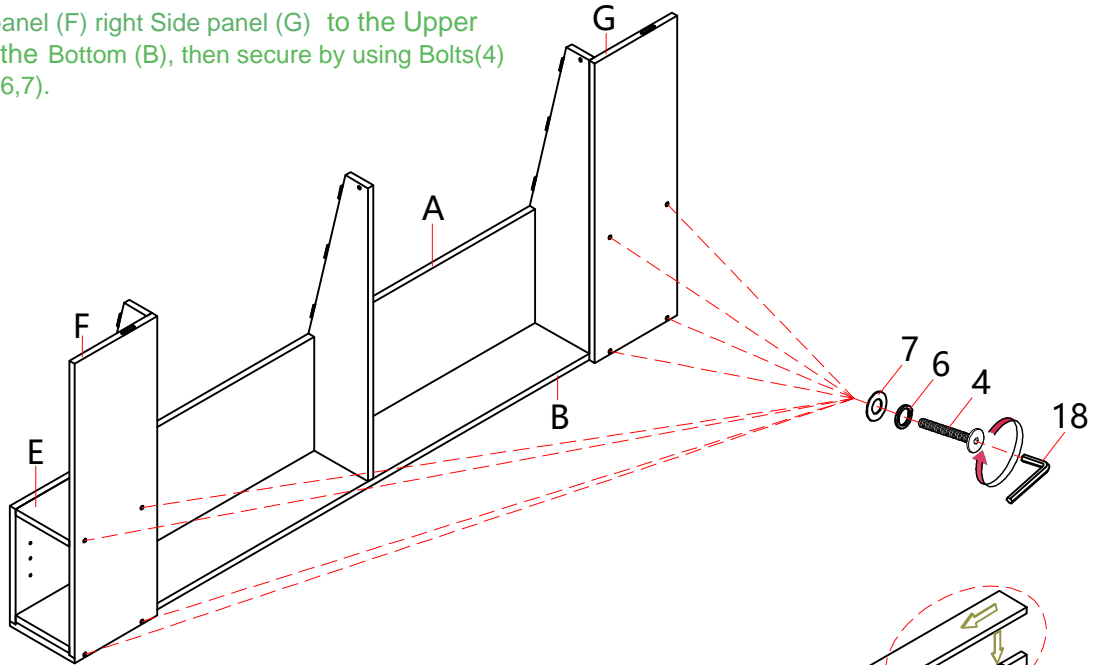


#4	x4	#6	x4	#7	x4
					
φ1/4x1-38"		φ1/4"		φ1/4"	

ASSEMBLY INSTRUCTIONS

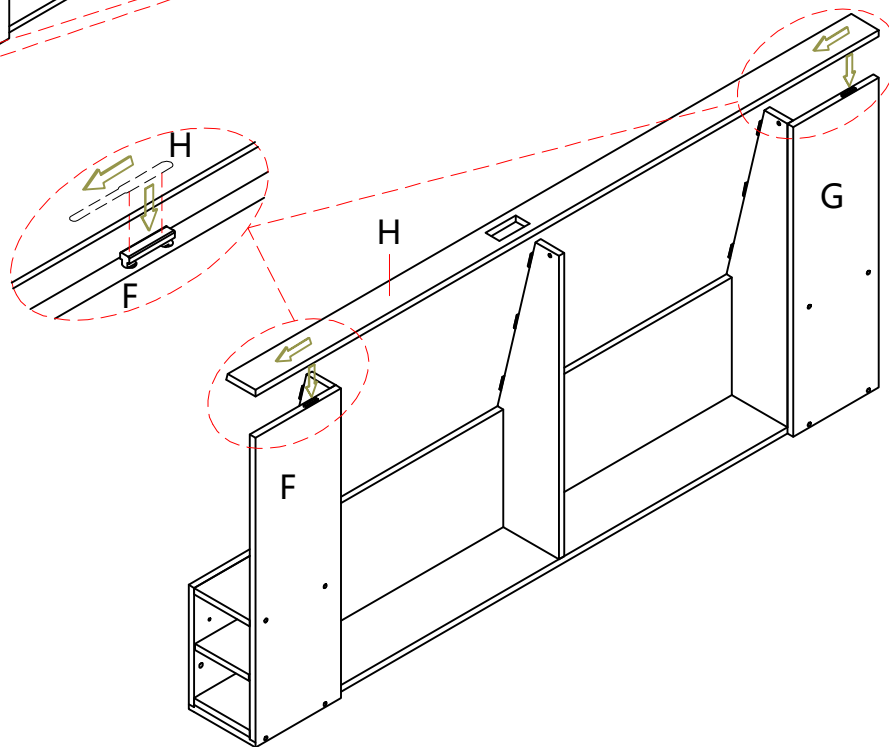
STEP-5

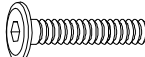


Align left Side panel (F) right Side panel (G) to the Upper panel (E) and the Bottom (B), then secure by using Bolts(4) with Washers (6,7).



STEP-6

Align Upper bar (H) left Side panel (F) right Side panel (G), then secure by hooking from right to left of the Side panel (F).

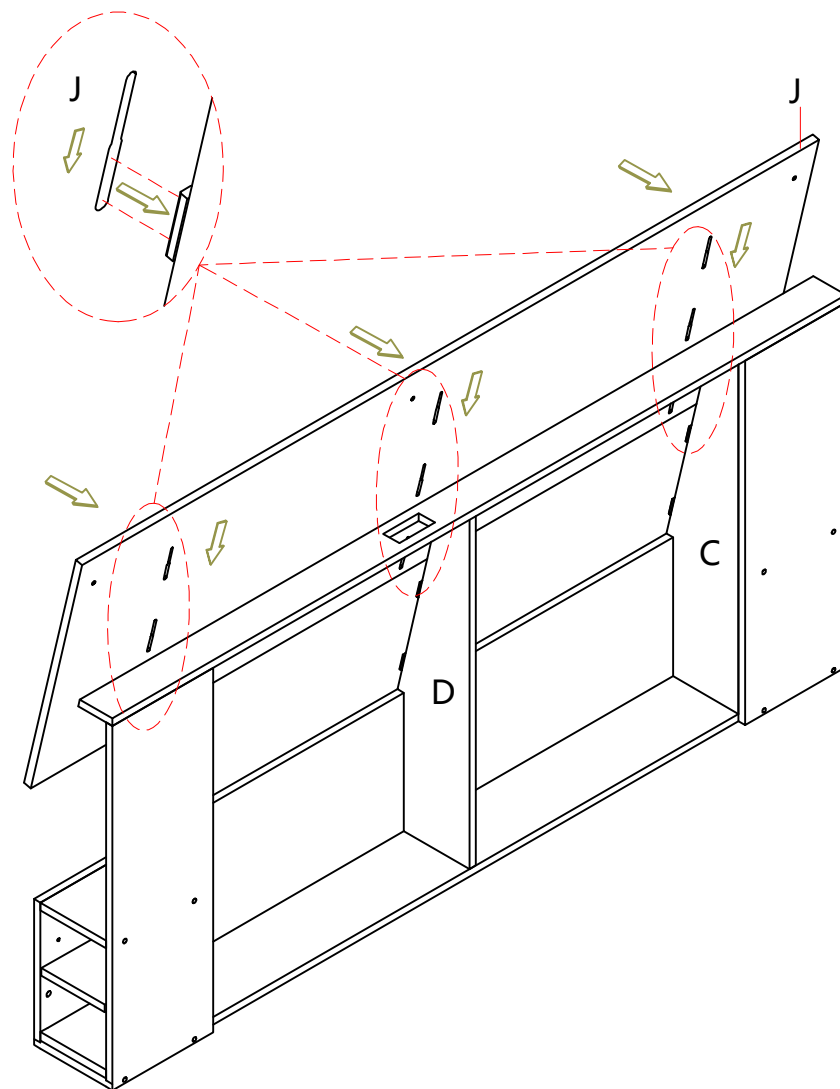


#4	x8	#6	x8	#7	x8
					
φ1/4x1-38"		φ1/4"		φ1/4"	

ASSEMBLY INSTRUCTIONS

STEP-7

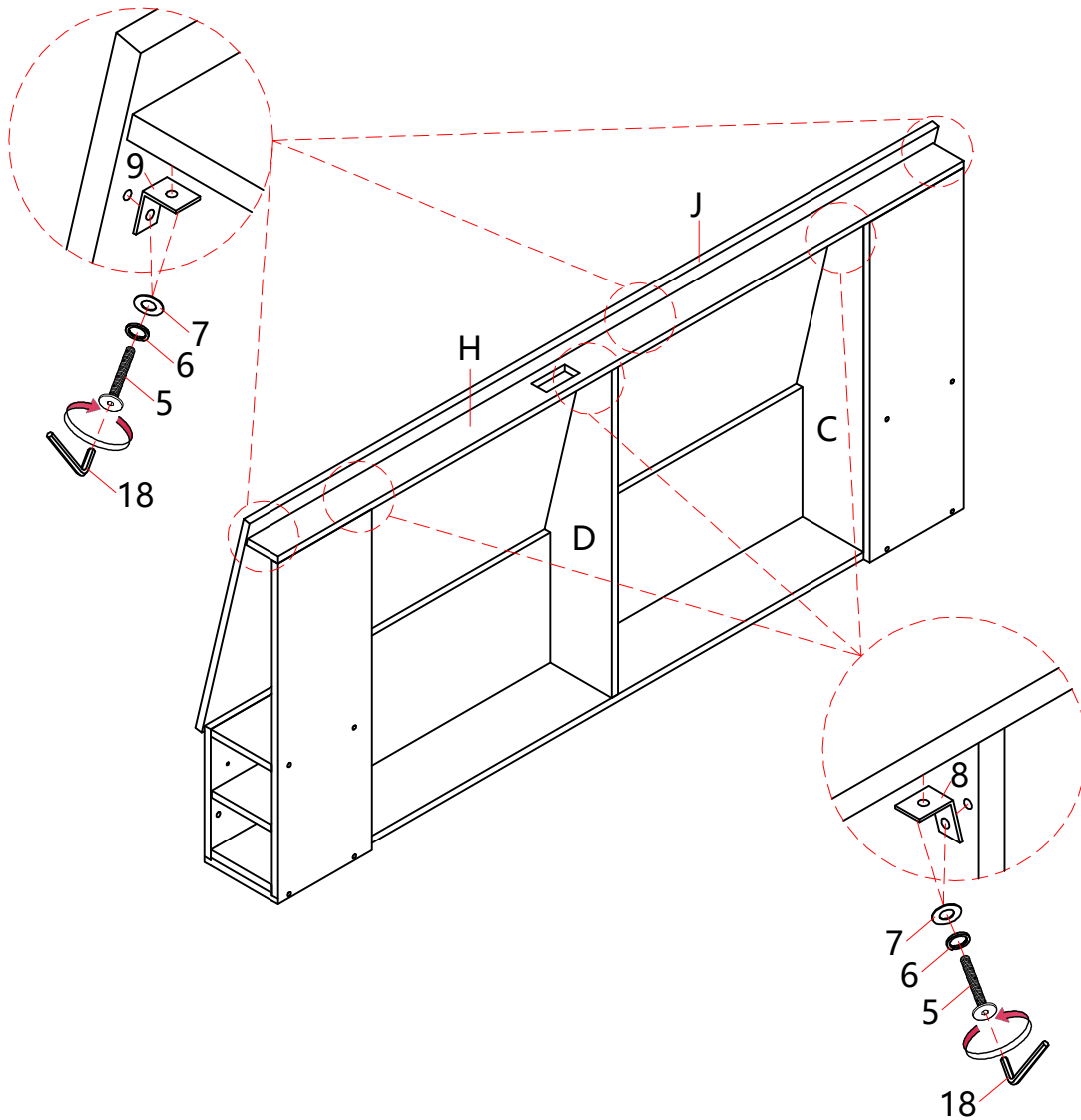
Align Headboard panel (J) to side panel (C), then secure by hooking from right to left of the Side panel (D).

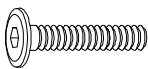


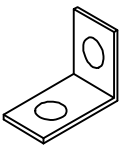
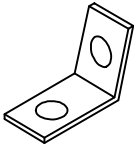


ASSEMBLY INSTRUCTIONS

STEP-8

Align Upper bar (H) to the Headboard panel (J) and the Middle bar (C,D), then secure by using Bolts (5) with Washers (6,7) through the Iron pad (8,9).

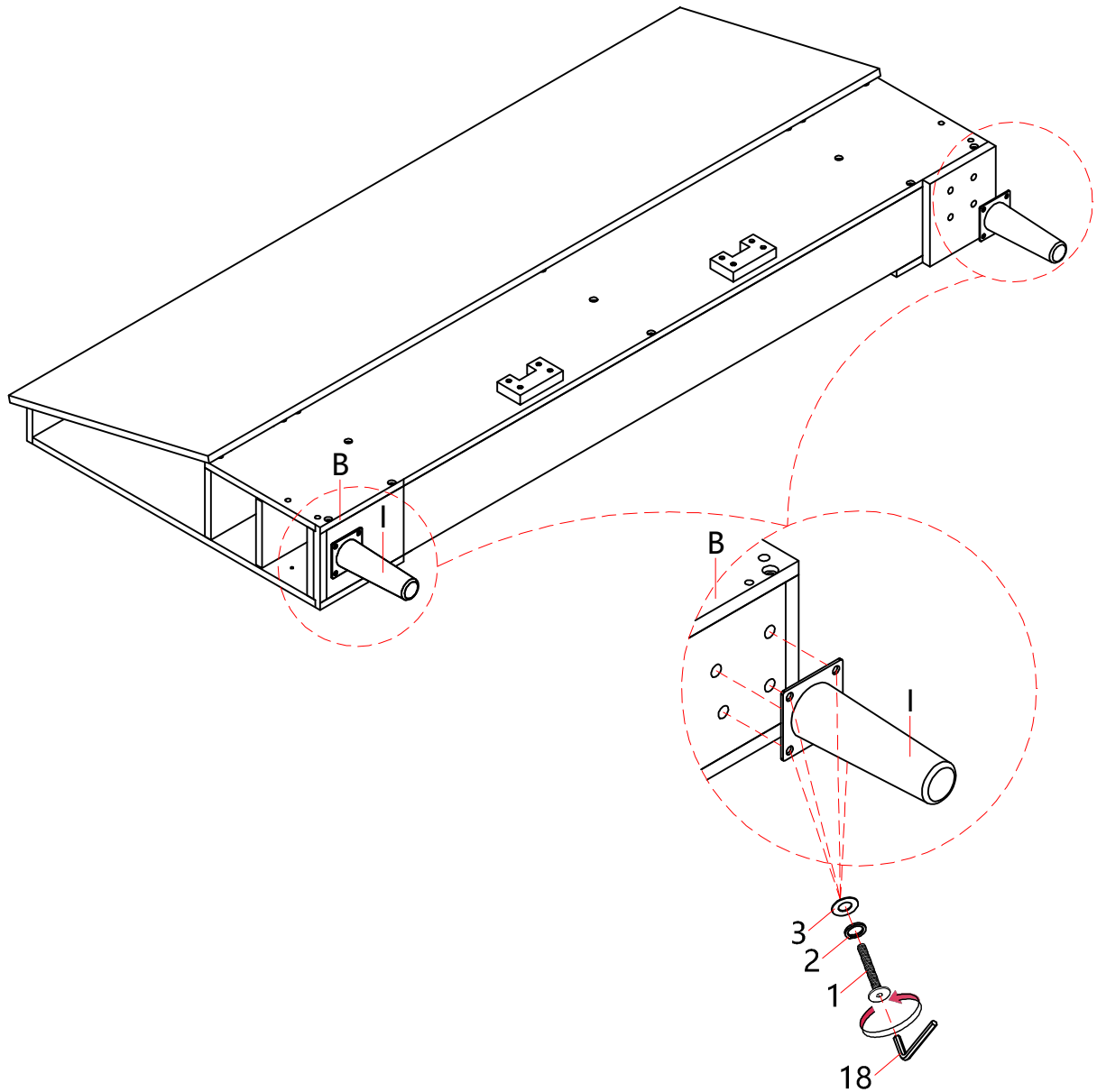


#5	x12	#6	x12	#7	x12	#8	x3	#9	x3
									
Φ1/4x5/8"		Φ1/4"		Φ1/4"		25x25x25(2)		25x25x25(2)	

ASSEMBLY INSTRUCTIONS

STEP-9

Align Headboard's legs (I) to the Bottom (B), then secure by using Bolts (1) with Washers (2,3).

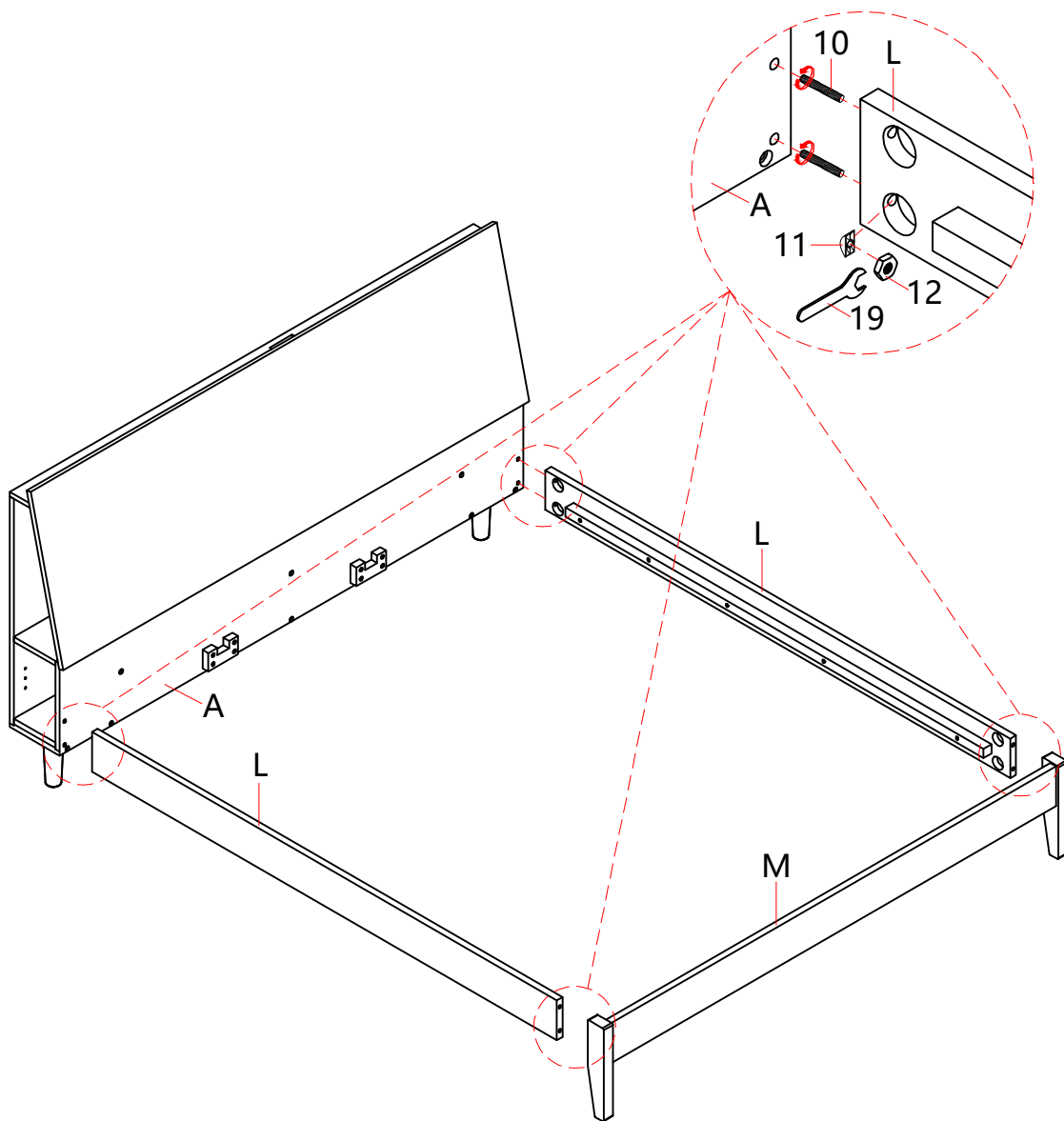



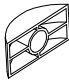

#1	x8	#2	x8	#3	x8
$\phi 5/16 \times 1"$		$\phi 5/16"$		$\phi 5/16"$	

ASSEMBLY INSTRUCTIONS

STEP-10

Align the Side of bed (L) to the Head of bed (A) and the Back of bed (M), then secure by using Threaded pins (10) with Half moon (11) and Hex nut (12).

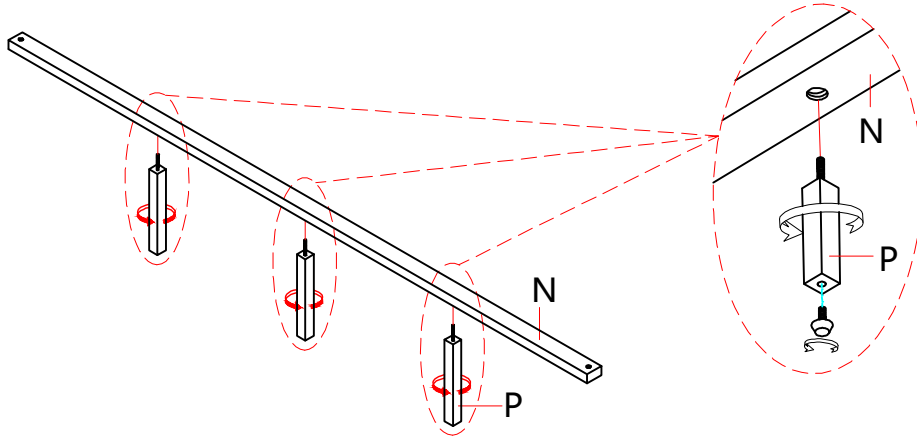


#10	x8	#11	x8	#12	x8
					
φ5/16x3-1/8"		φ5/16"		φ5/16"	

ASSEMBLY INSTRUCTIONS

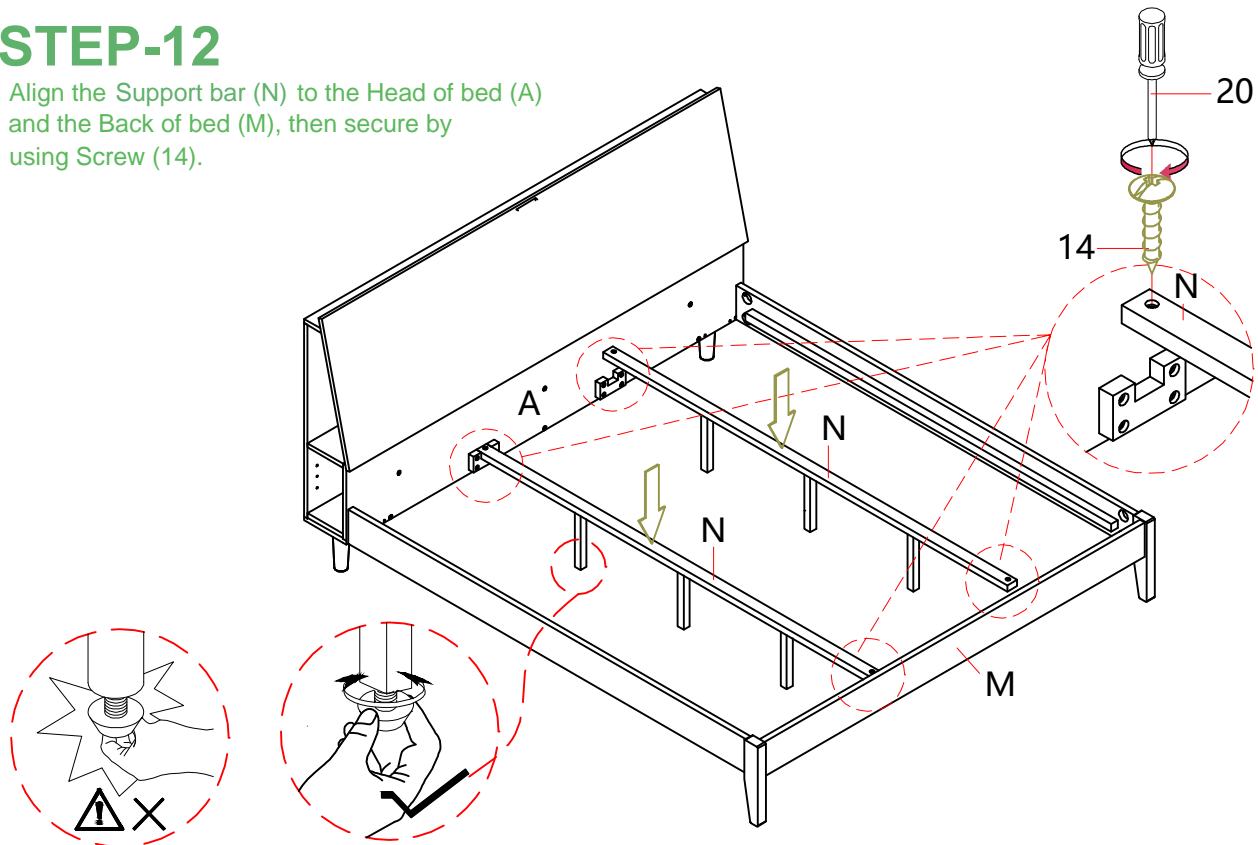
STEP-11

Align the Support leg (P) to the Support bar (N), then secure by screwing the Support leg (P).



STEP-12

Align the Support bar (N) to the Head of bed (A) and the Back of bed (M), then secure by using Screw (14).

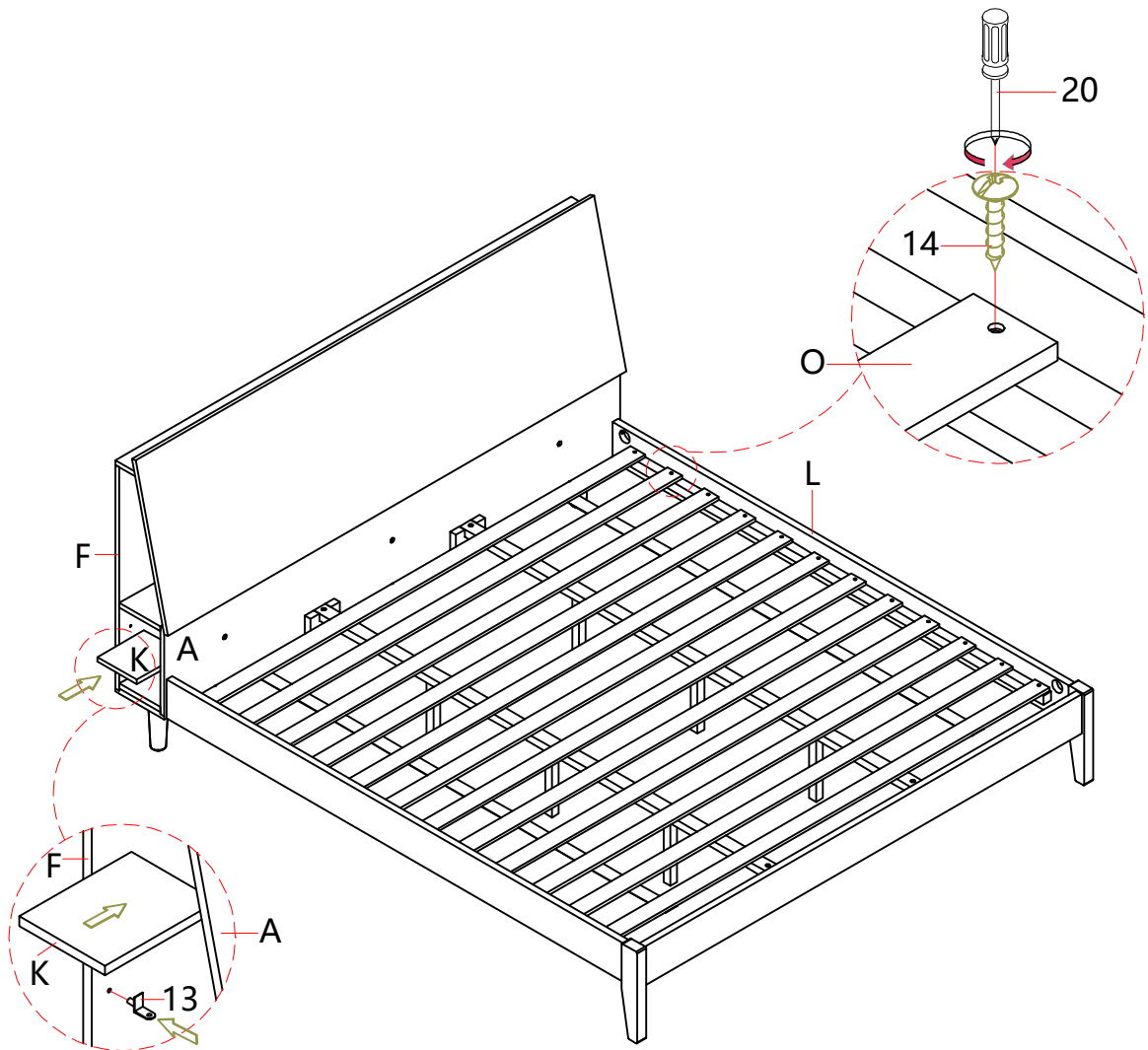


#14	x4
ø8-1"	

ASSEMBLY INSTRUCTIONS

STEP-13

Align the Bed slats (O) to the Side of bed (L), then secure by using Screw (14). Align the Shelf bracket (13) to the Lower horizontal bar (A) and the Side panel (F), then secure by inserting it and put the Next shelf (K) on the Shelf bracket (13).

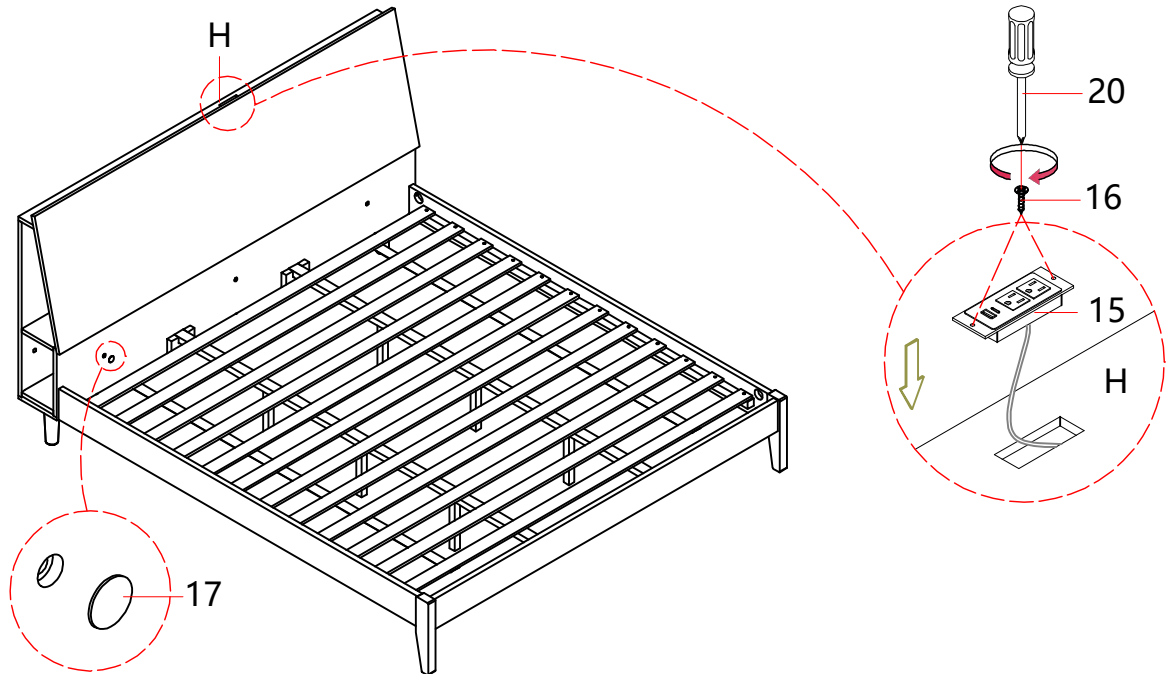


#13	x8	#14	x24
		ø8-1"	

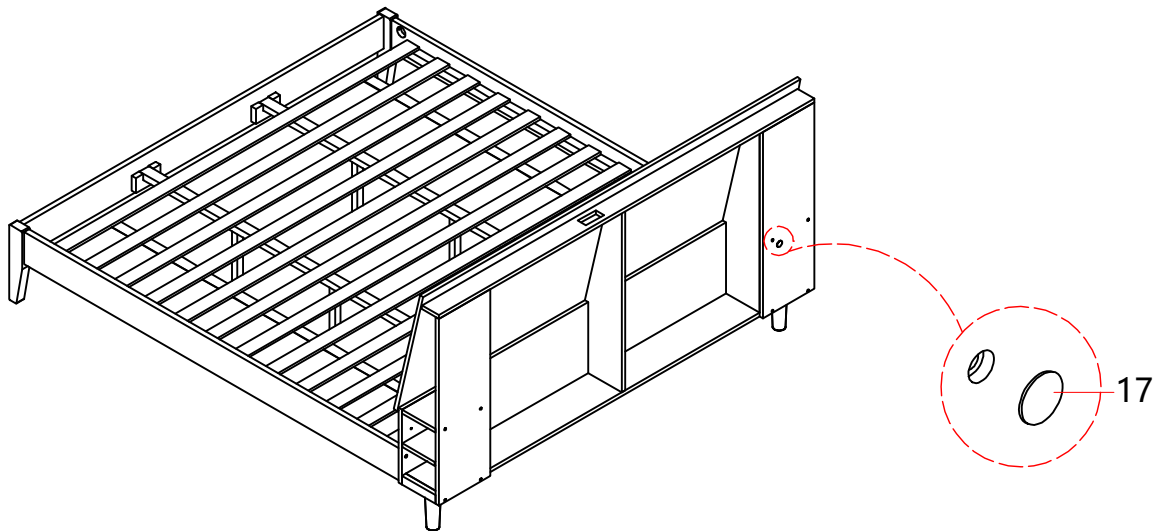
ASSEMBLY INSTRUCTIONS

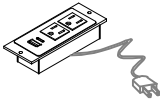


STEP-14

Align the USB (15) to the Upper bar (H), then secure by using screw. Use the label(17) to cover the hole.



Use the label(17) to cover the hole.

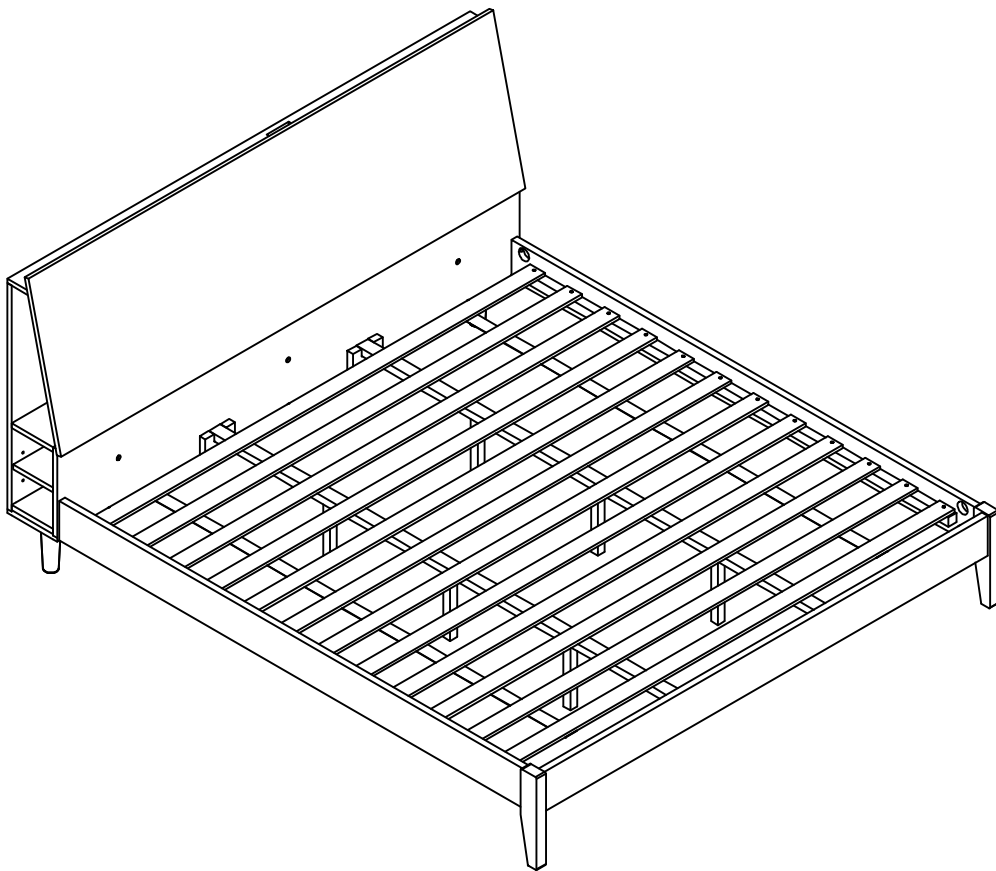


#15	x1	#16	x2	#17	x23
					
USB		φ3.5*5/8"		φ25*2	

ASSEMBLY INSTRUCTIONS

STEP-15

Complete.



WARRANTY

1. We strive to offer high-quality products, and we also try our best to satisfy each and every customer that orders from us with product or service as needed.
2. We provide 30 days warranty starting from the time you receive the item. Each customer must provide a record of their order such as the order number, or item receipt for any items that are out of the warranty period you may also still receive.
3. Replacement parts by purchasing them with our company if they are available.

customerservice@hulalahome.com

Are you having difficulty
With assembly? Missing parts?
Please send email with your order No to
customerservice@hulalahome.com
For return, please check the return policy with
the retailer or market place you bought from.

Appreciate your purchasing from us.
Pop up your life by our furniture piece!