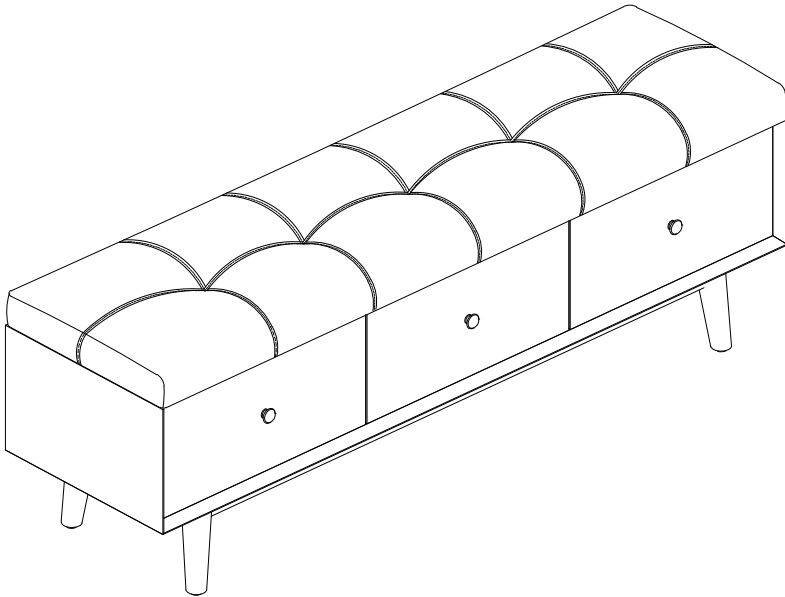


HULALA

H O M E



ITEM NO.BEHM0778

NOTE:

This brochure contains IMPORTANT safty info. Please read and keep for future reference.

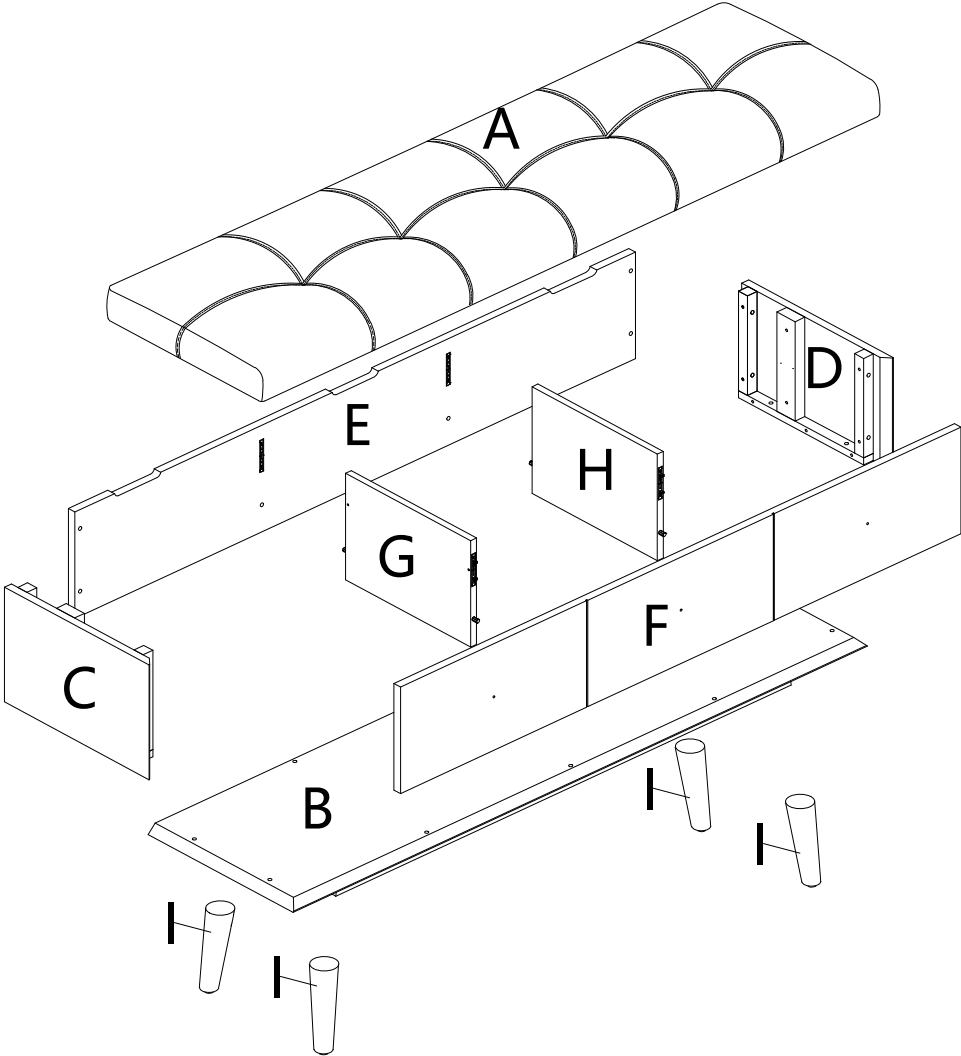
MAINTAINANCE AND WARNING

- 1.Keep furniture away from heat sources.
- 2.Do not clean furniture with harsh cleaner or polishes.Do not use detergents,solvents,abrasives,spray packs or leather cleaner. Use non-color mild soa with warm water to clean spills(Mix 1:10 soap to water).
- 3.Do not place furniture under direct sunlight,material will possibly fade over time.
- 4.Do not use on site dry cleaning machine.Children should not climb or jump on the furniture.
- 5.Do not write on furniture that is not protectedby a padded barrier.
- 6.Not for commercial use,only for residential use.



Weight Limitation
300 LBS

EXPLOSIVE VIEW

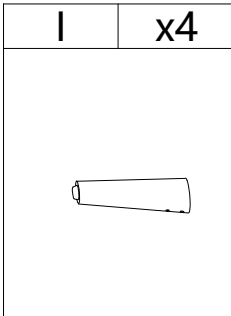
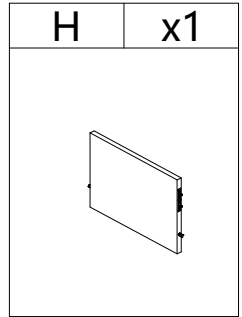
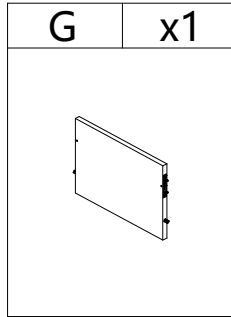
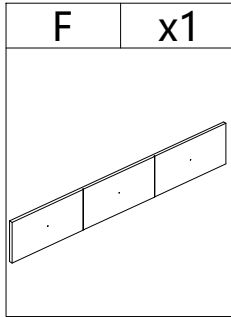
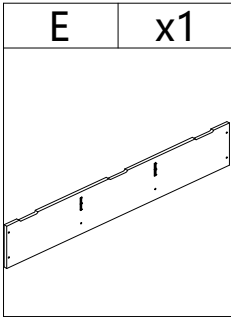
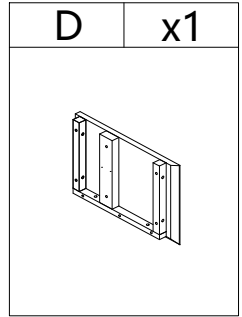
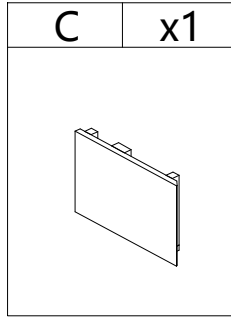
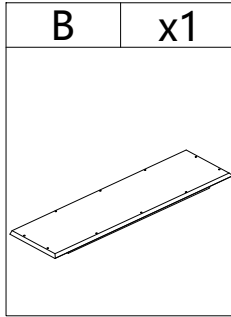
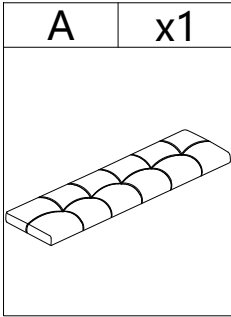


2PERSONEN


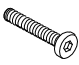
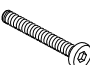









An icon showing two stylized human figures standing side-by-side, representing the number of people the bench can accommodate.

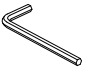
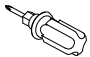
PARTS LIST




HARDWARE LIST

#1	x29	#2	x18	#3	x8	#4	x8	#5	x8	#6	x3
											
φ3*14mm*6#		φ1/4"*1"		φ1/4"*2"							
#7	x3	#8	x3	#9	x1	#10	x1				
											
		φ5/32"*3/4"									

TOOL LIST

#11	x1	#12	x1
			
M4			

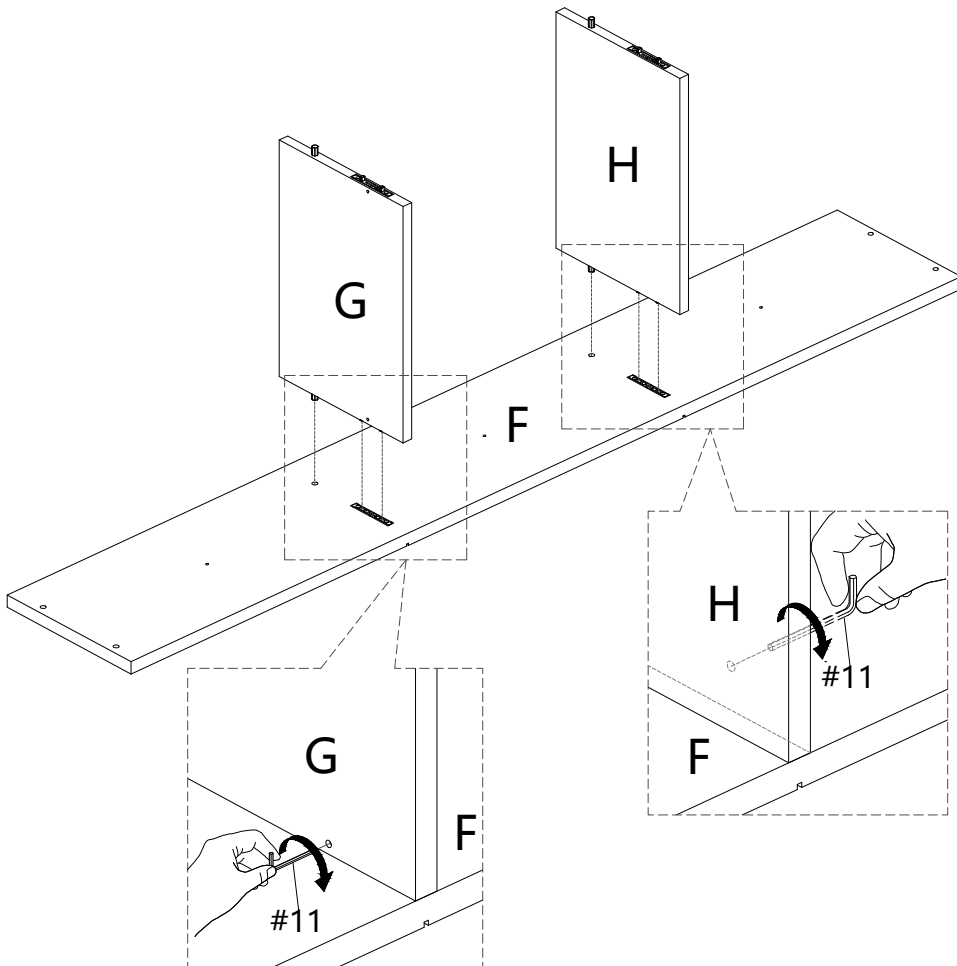
HARDWARE SPARE LIST

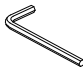
#1	x1
	
φ3*14mm*6#	

ASSEMBLY INSTRUCTIONS

STEP-1

1. Insert side panel (G&H) into panel (F), make sure all holes aligned and then tighten it with allen key #11 as picture show.

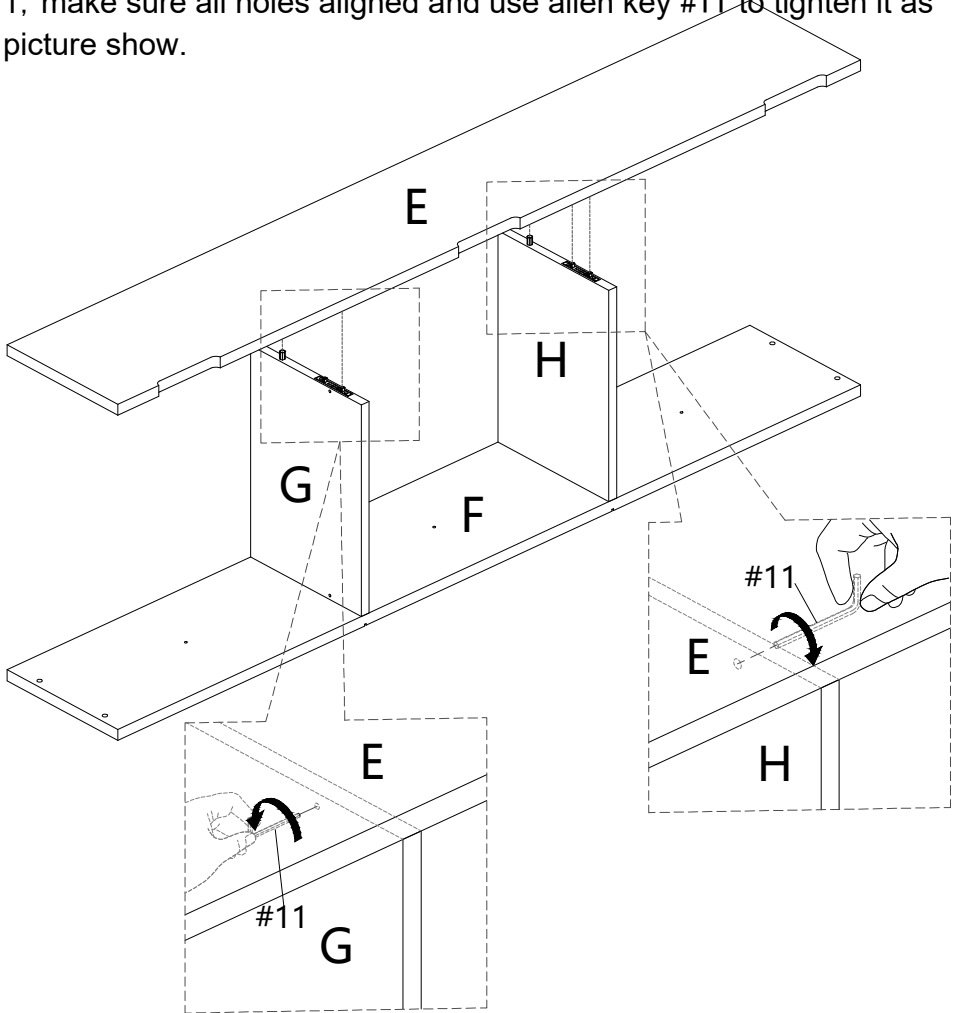


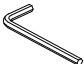
#11	x1
	
M4	

ASSEMBLY INSTRUCTIONS

STEP-2

1. Insert panel (E) into the corresponding hole of preassembled step 1, make sure all holes aligned and use allen key #11 to tighten it as picture show.

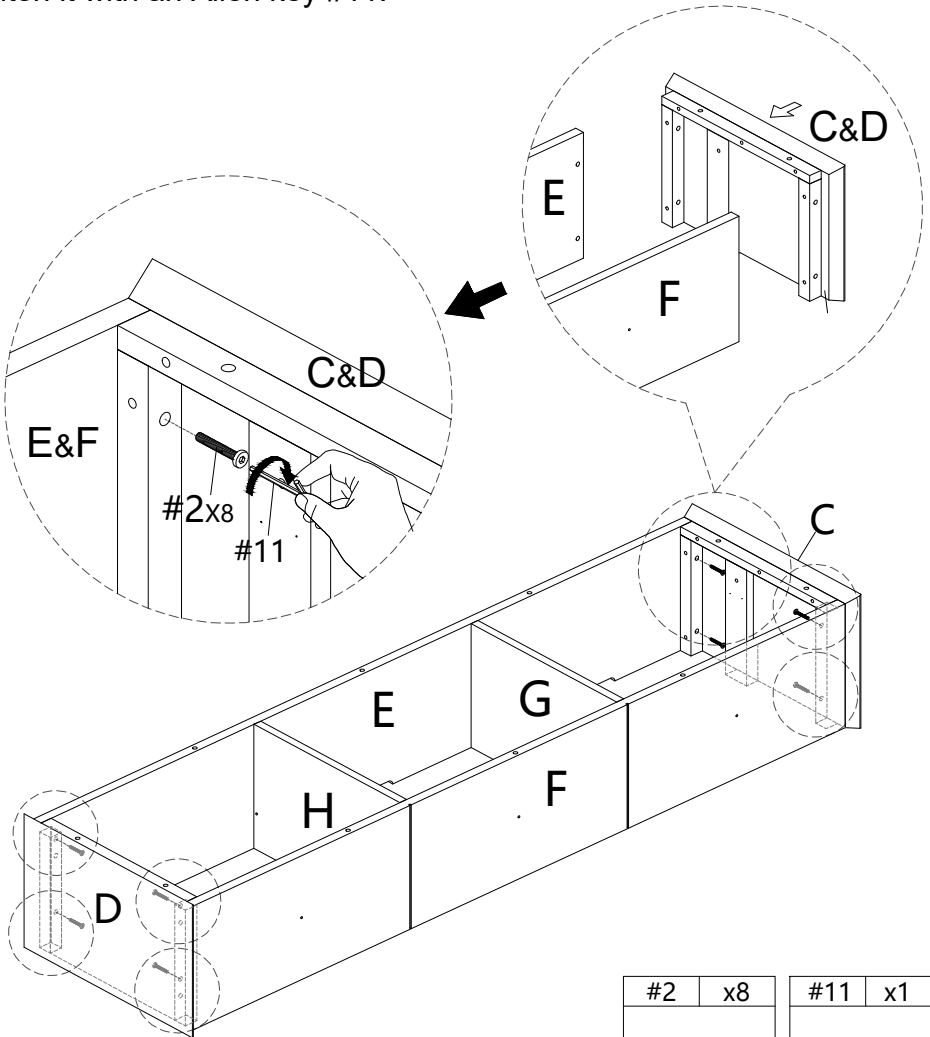


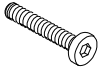
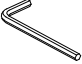
#11	x1
	
M4	

ASSEMBLY INSTRUCTIONS

STEP-3

1. Insert panel (C&D) into the corresponding hole of pre-assembled step 2, make sure all holes aligned, Insert screw #2 into the hole and tighten it with an Allen key #11.

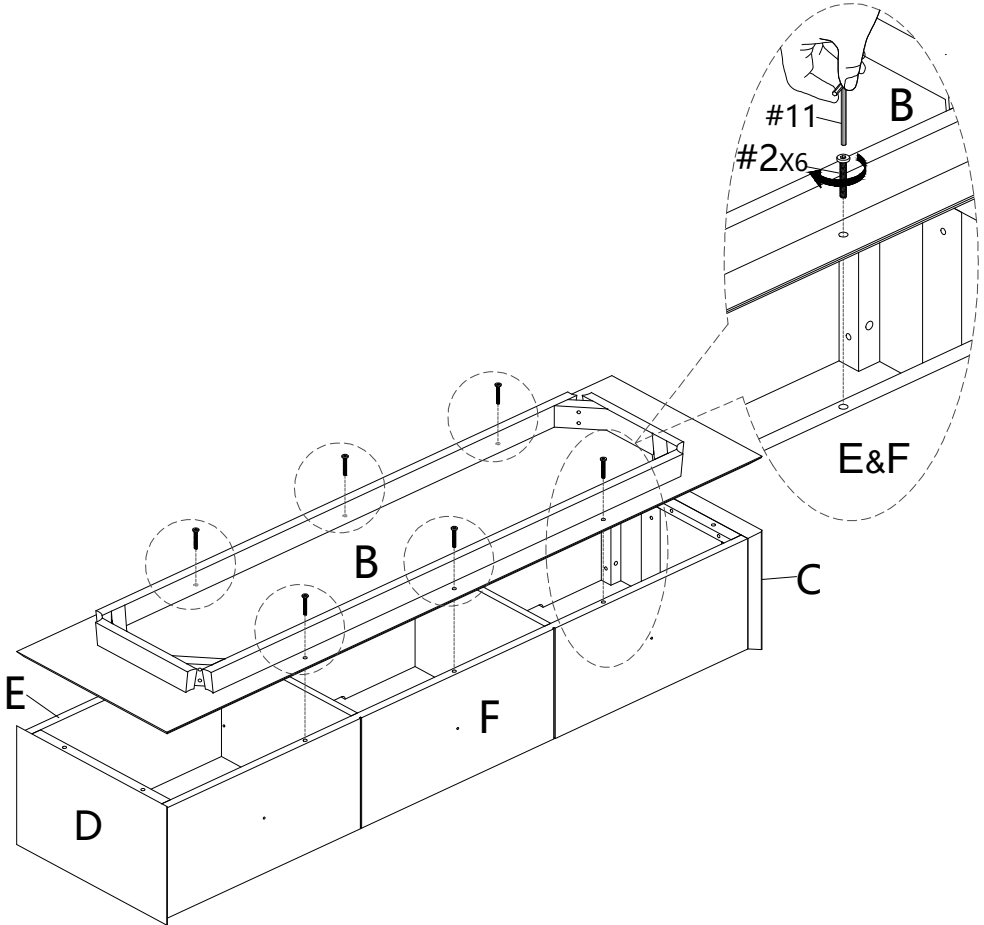


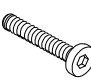
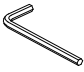
#2	x8	#11	x1
			
Ø1/4"x1"		M4	

ASSEMBLY INSTRUCTIONS

STEP-4

1. Connect the bottom plate (B) to the assembly unit from step 3, make sure all holes aligned, Insert screw #2 into the hole and tighten it with Allen key #11.

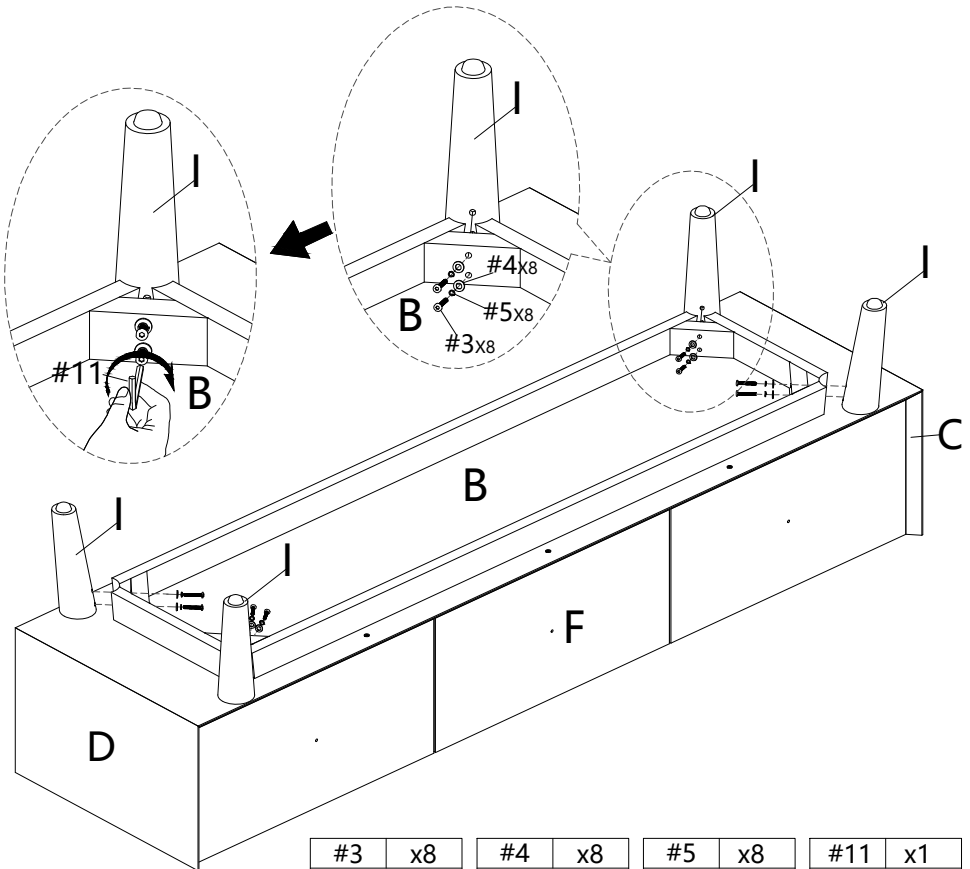


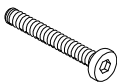


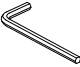
#2	x6	#11	x1
			
Ø1/4"x1"		M4	

ASSEMBLY INSTRUCTIONS

STEP-5

1. Use flat washer #4、spring washer #5 and bolt #3 to attach the leg (L) to bottom panel (B), make sure all holes aligned and tighten screw #3 with Allen key #11.

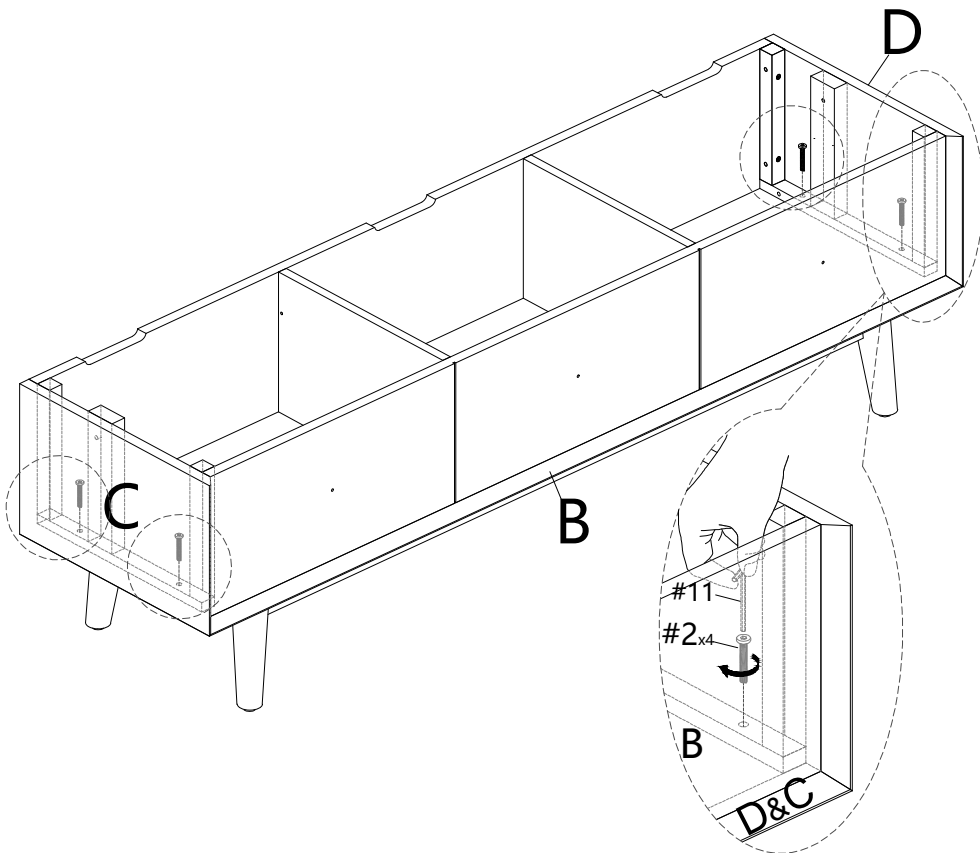


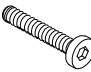
#3	x8	#4	x8	#5	x8	#11	x1
							
$\phi 1/4" \times 2"$						M4	

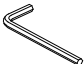
ASSEMBLY INSTRUCTIONS

STEP-6

1. Insert screw #2 into the corresponding holes of (C) and (D), then tighten the screw with an Allen key #11.



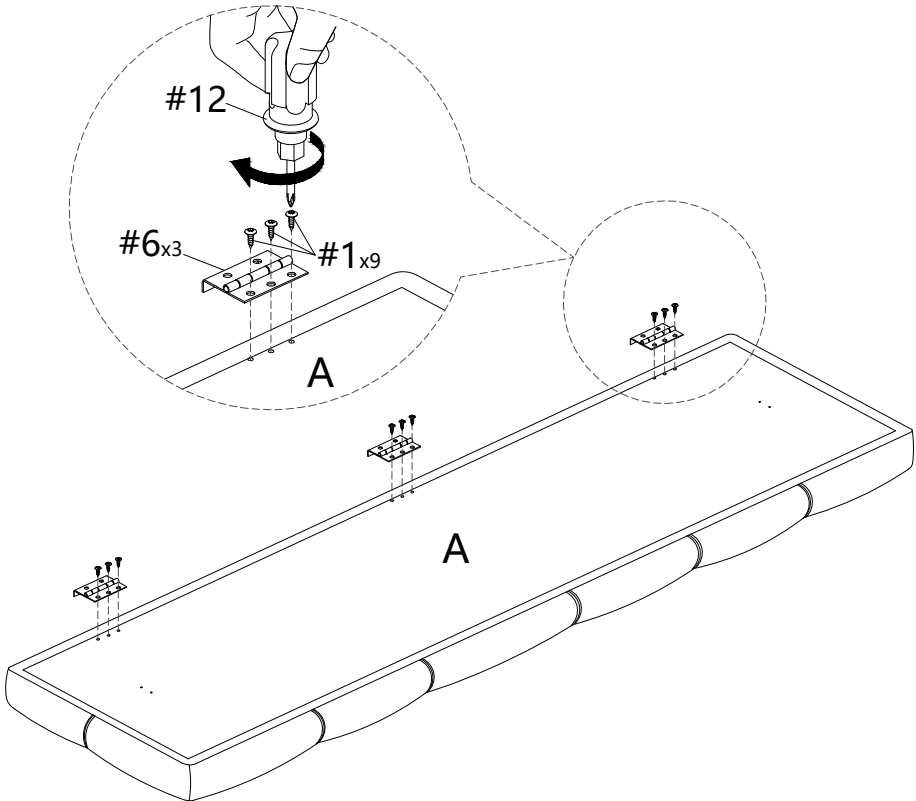
#2	x4
	
ø1/4"x1"	



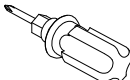
#11	x1
	
M4	

ASSEMBLY INSTRUCTIONS

STEP-7

1. picture shows. Use screw #1 to attach part #6 to top panel (A), tighten screw #1 with screwdriver #12.

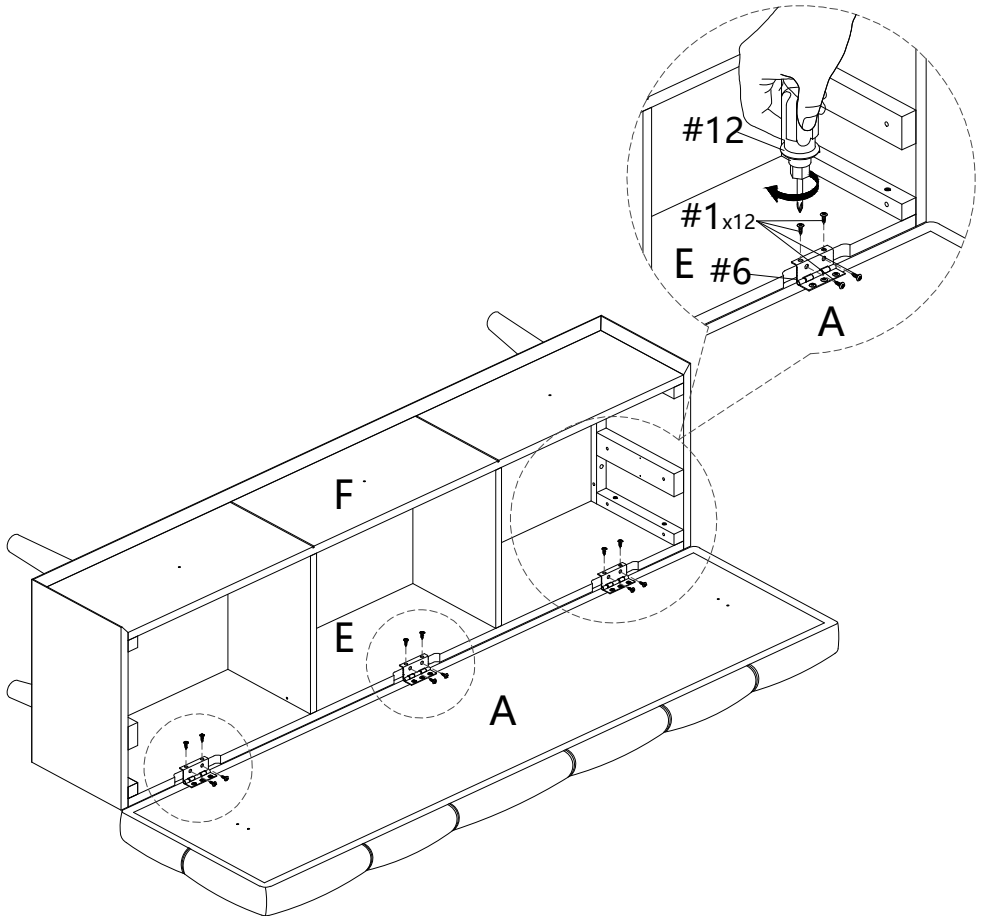


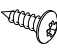
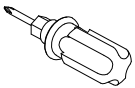
#1	x9	#6	x3	#12	x1
					
ø3x14mmx6#					

ASSEMBLY INSTRUCTIONS

STEP-8

1. Use screw #1 to connect part A with the assembly unit from step 6, and tighten it with screwdriver #12.

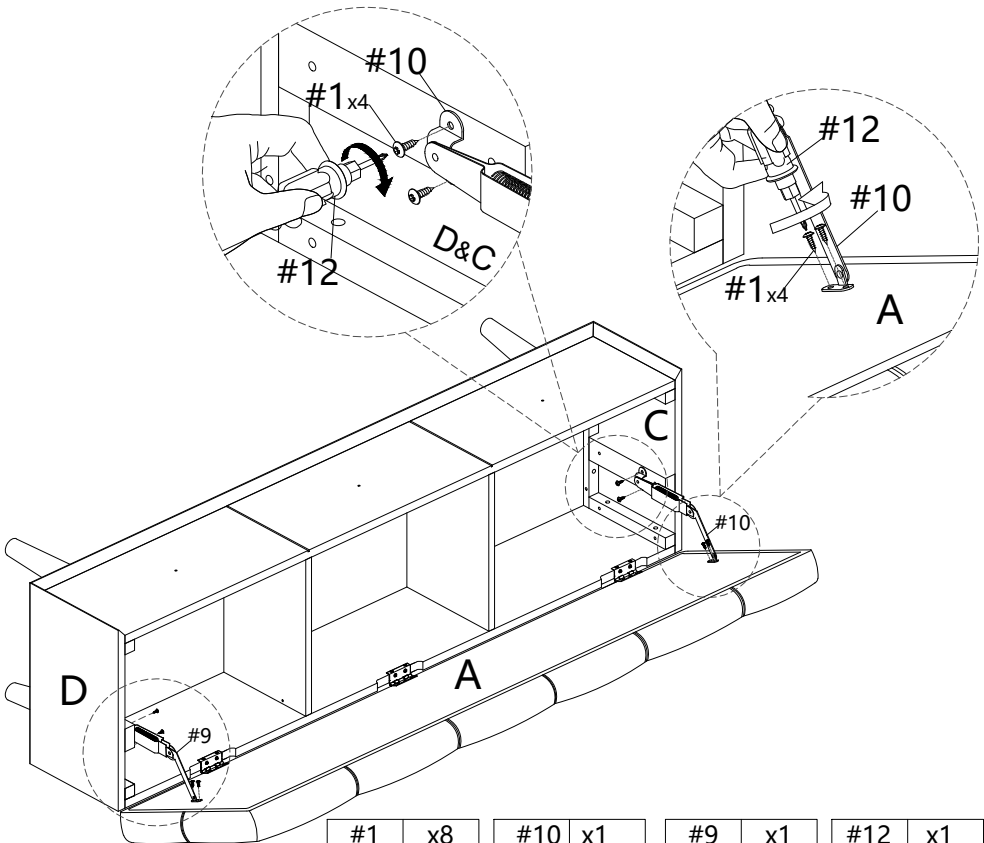





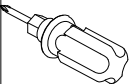
#1	x12	#12	x1
			
Ø3x14mmx6#			

ASSEMBLY INSTRUCTIONS

STEP-9

1. Use screw #1 to attach one part of component #9
 to part A, and then attach the other part of component #9
 to part D&C. Finally, tighten the screw #1 with screwdriver #12.

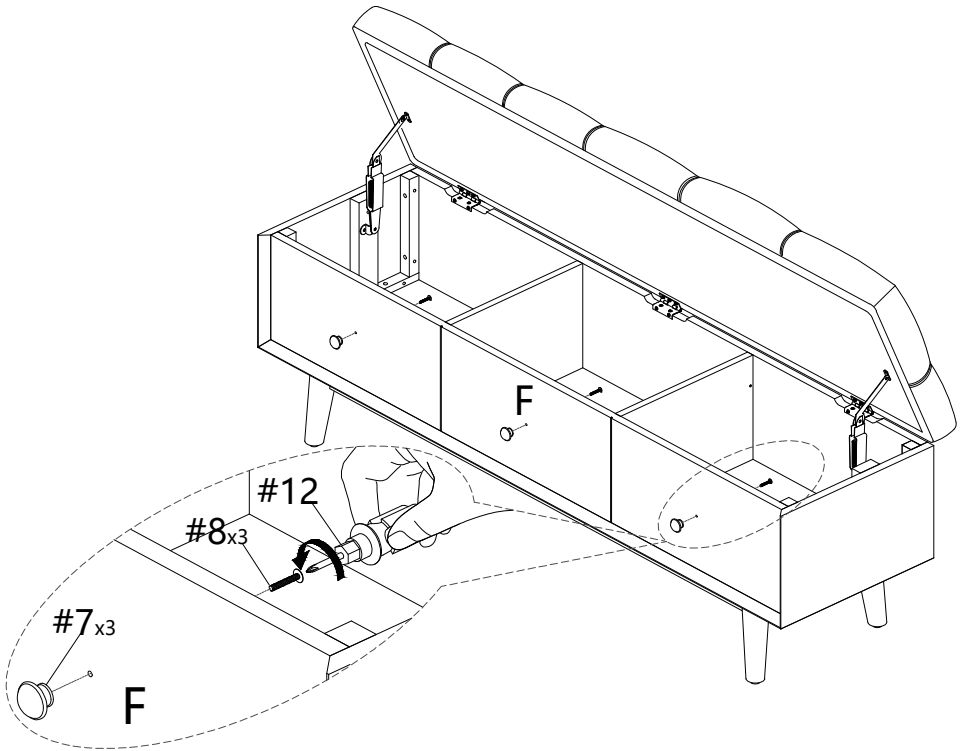




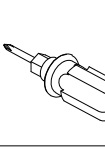
#1	x8	#10	x1	#9	x1	#12	x1
							
ø3x14mmx6#							

ASSEMBLY INSTRUCTIONS

STEP-10

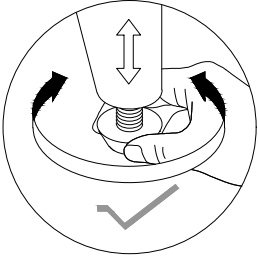
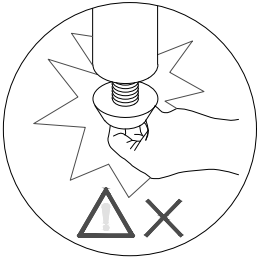
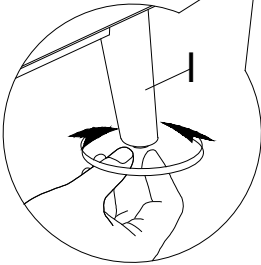
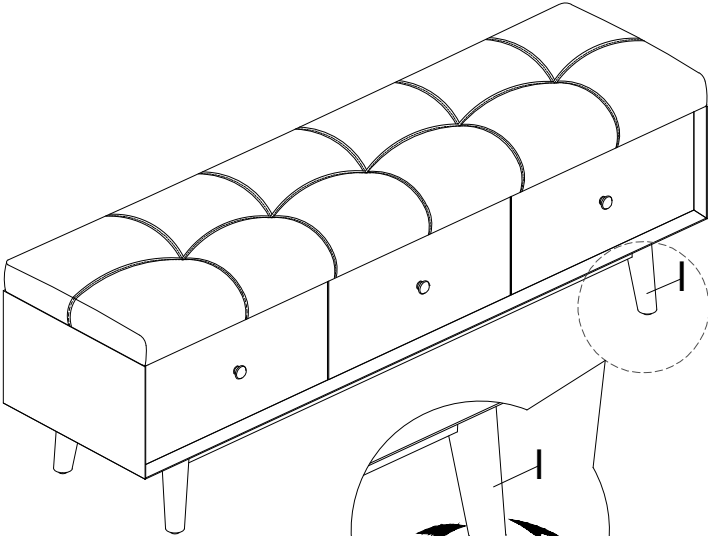
1. Use screw #8 to attach handle #7 to part F, and tighten it with screwdriver #12.



#7	x3	#8	x3	#12	x1
					
		ø5/32"*3/4"			

ASSEMBLY INSTRUCTIONS

STEP-11



WARRANTY

1. We strive to offer high-quality products, and we also try our best to satisfy each and every customer that orders from us with product or service as needed.
2. We provide 30 days warranty starting from the time you receive the item. Each customer must provide a record of their order such as the order number, or item receipt for any items that are out of the warranty period you may also still receive.
3. Replacement parts by purchasing them with our company if they are available.

Are you having difficulty
With assembly? Missing parts?
Please send email with your order No to
customerservice@hulalahome.com
For return, please check the return policy with
the retailer or market place you bought from.

Appreciate your purchasing from us.
Pop up your life by our furniture piece!