

WARRANTY

We strive to offer high-quality products, and we also try our best to satisfy each and every customer that orders from us with product or service as needed. We provide 30 days warranty starting from the time you receive the item. Each customer must provide a record of their order such as the order number, or item receipt for any items that are out of the warranty period you may also still receive replacement parts by purchasing them with our company if they are available.

**Are you having difficulty
with assembly? Missing parts?**

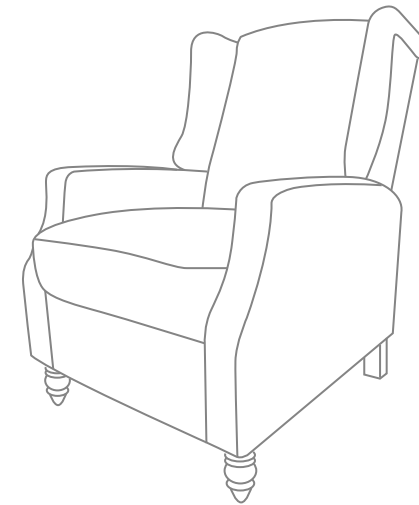
Please send email with your order No

customerservice@hulalahome.com

**For return, Please check the return policy with
the retailer or MarketPlace you bought from.**

Appreciated your purchasing from us.

Pop up your life by our furniture piece!



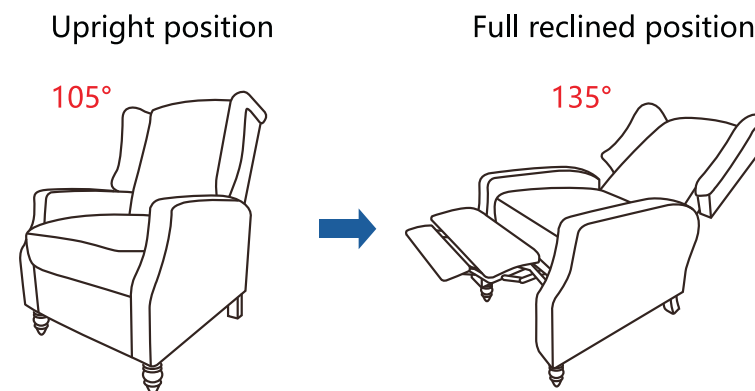
ITEM NO. CHOY0012

NOTE:

This brochure contains IMPORTANT safety info. Please read and keep for future reference.

MAINTAINANCE AND WARNING

- Keep furniture away from heat.
- Do not clean furniture with harsh cleansers or polish. Do not use detergents, Solvents, abrasives, spray packs or leather cleaner. Use non-color mild soap with warm water clean spills(Mix 1:10 soap to water)
- Do not place furniture under direct sunlight, material will possibly fade over time.
- Do not use on site dry Cleaning machine.
- Children should not climb or jump on the furniture.
- Do not write on furniture without a padded barrier to protect the surface.
- Not for commercial use, For residential use only.



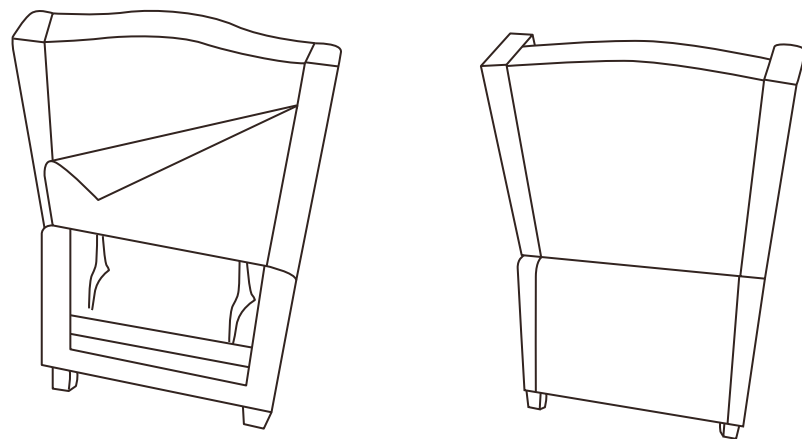
STEP 8: Push the back gradually to stretch the chair.

Close the footrest with legs then you can stand up.



Weight Limitation

250LBS

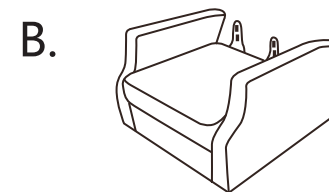


STEP 7: Stand behind Chair.
Smoothly down the fabric flap on the Chair Backrest(A).
Run your hands down both sides of the flap, from top to bottom, allowing the velcro tape to adhere to the flap under the seat of the chair.

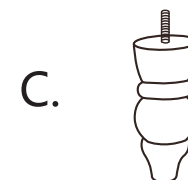
PARTS LIST



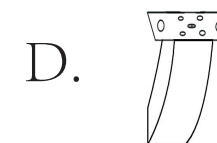
1PC



1PC



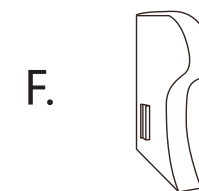
2PCS



2PCS



1PC






1PC



Estimated Duration Of Assembly

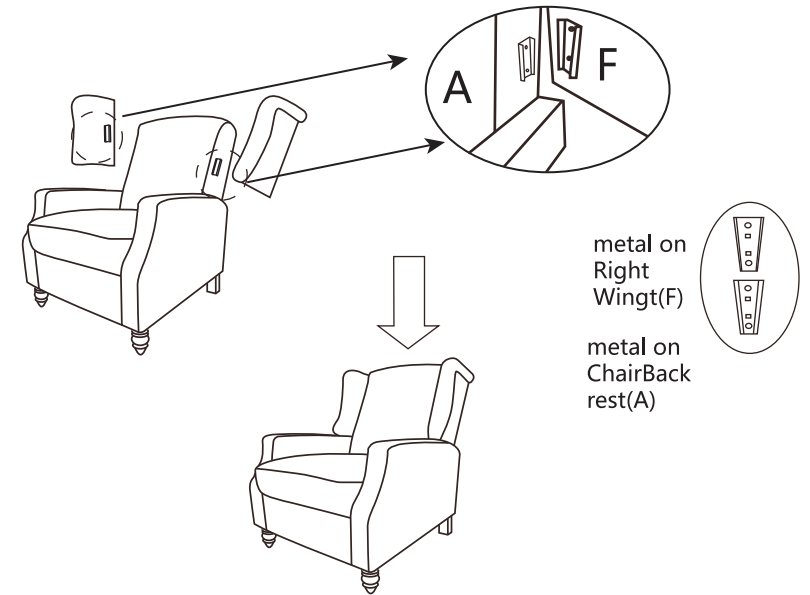
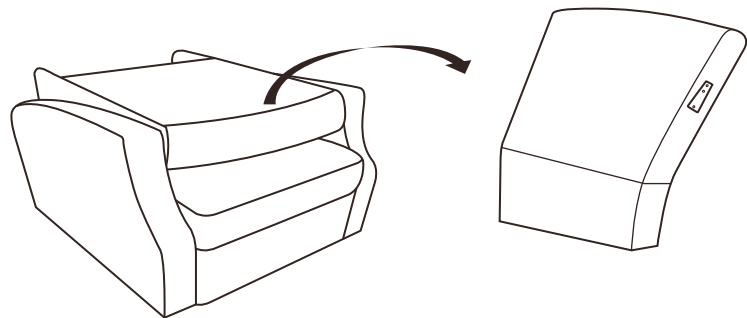
5-10 MINUTES

SPARE

- ①. BLACK 2PCS 
- ②. 4PCS 
- ③. 1PCS 

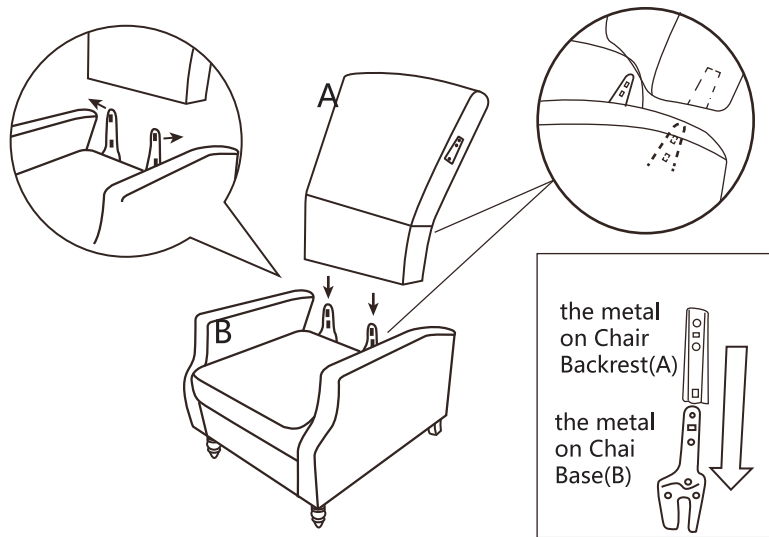
Be sure to check all packing material carefully for small parts, which may have come loose inside the carton during shipment.

ASSEMBLY INSTRUCTIONS

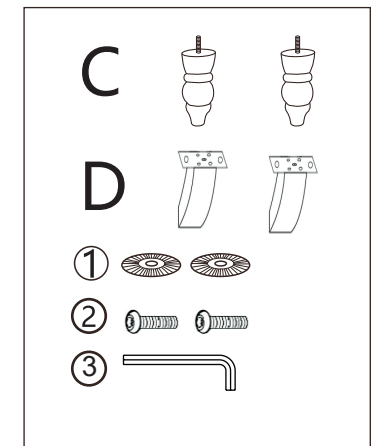
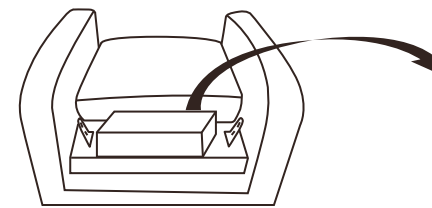


STEP 6: Insert the small metal on the sides of the Left and Right Wing(E)(F) into the prefabricated slide lock gadget on the Chair Backrest(A) as shown above. Firmly but gently, push the Wing downwards until the Wing is fully slotted and locked into position.

During installation, you need to pull the iron sheet outward to align the seat cushion with the metal sheet of the backrest, and ensure that the entire backrest is inserted into the seat correctly.

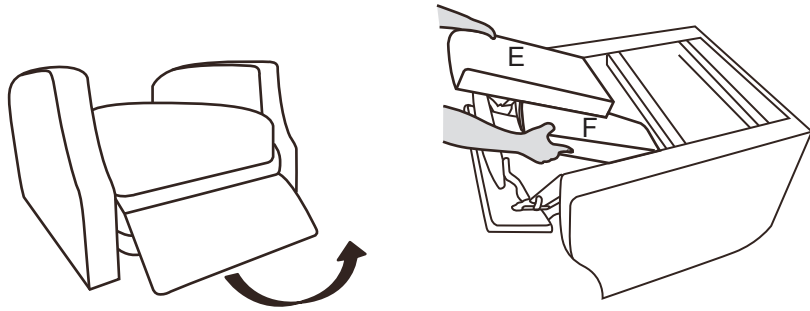


STEP 1: Take out Chair Backrest(A) from Chair Base(B). Place the Chair Base(B) facedown on a clean, non-marring surface.

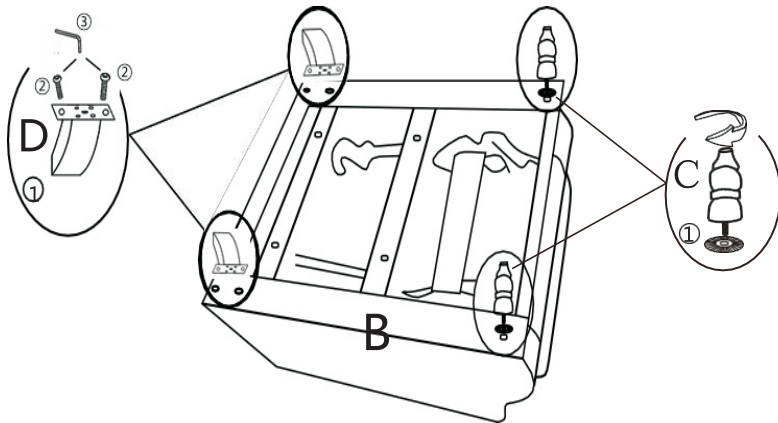


STEP 2: Remove the small carton and take out the Front Legs(C), Hind Legs(D), Gaskets(①), Bolt(②) and Allen Key(③).

STEP 5: With assistance of your adult partner, hold up the fully assembled Chair Base(B). Insert the small metal arms on the sides of the Chair Backrest(A) into the prefabricated slide lock gadget on the Chair Base(B) as shown above. Firmly but gently, push the Chair Backrest(A) downwards until the Chair Backrest(A) is fully slotted and locked into position.



STEP 3: Pull the front footboard away from the front of the Chair Base (B). And you can see the Left Wing (E) and Right Wing (F) in the Chair Base (B).



STEP 4: Place the Chair Base (B) facedown on a clean, non-marring surface.

Install the Front Legs (C) and Hind Legs (D) into the bottom of the Chair Base (B) by placing a Gasket (1) onto the threaded stem of the Legs.

And then insert the threaded stem into the threaded mounting position at each corner of the Bottom of the Chair Base (B). Tighten by turning the Legs clockwise. Stand the assembled Chair Base up and test for stability on a Level Surface.

Note: The use of Gaskets are **OPTIONAL** and are especially useful to help alleviate slight wobbles. Some Wooden Legs may need more than one whilst some legs do not need any.