

印刷尺寸：装订好后是A5纸大小的册子，材质157克铜版纸印刷

备注：

- 1.红色字部分为参考用，不在印刷范围内
- 2.红色方框内部分为需替换内容部分，红色方框不用印

封底

## WARRANTY

We strive to offer high-quality products, and we also try our best to satisfy each and every customer that orders from us with product or service as needed. We provide 30 days warranty starting from the time you receive the item. Each customer must provide a record of their order such as the order number, or item receipt for any items that are out of the warranty period you may also still receive replacement parts by purchasing them with our company if they are available.

**Are you having difficulty**

**with assembly? Missing parts?**

**Please send email with your order No to  
customerservice@hulalahome.com**

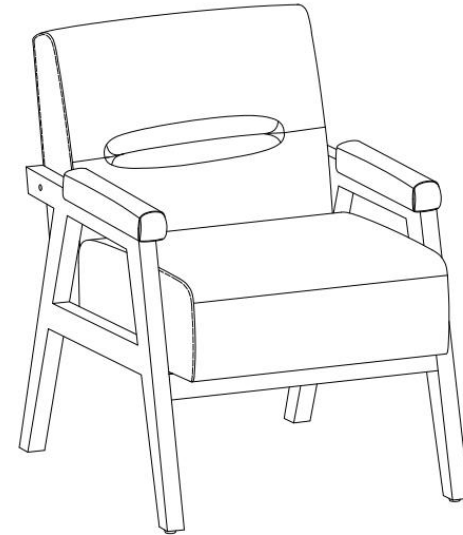
**For return, please check the return policy with  
the retailer or market place you bought from.**

**Appreciate your purchasing from us.**

**Pop up your life by our furniture piece!**

封面

**HULALA**  
H O M E



**ITEM NO. CHS0723**

---

### NOTE:

This brochure contains IMPORTANT safety info. Please read and keep for future reference.

---

# MAINTAINANCE AND WARNING

- Keep furniture away from heat sources.
- Do not clean furniture with harsh cleaner or polishes. Do not use detergents, Solvents, abrasives, spray packs or leather cleaner. Use non-color mild soap with warm water to clean spills(Mix 1:10 soap to water)
- Do not place furniture under direct sunlight, material will possibly fade over time.
- Do not use on site dry Cleaning machine.
- Children should not climb or jump on the furniture.
- Do not write on furniture that is not protected by a padded barrier .
- Not for commercial use, only for residential use.

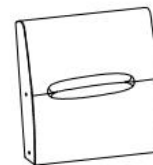


Weight Limitation

**250LBS**

# PARTS LIST 1

A\*1



Backrest

B\*1



Seat Frame

C\*1



Right Arm

D\*1



Left Arm

E\*1



Front baffle

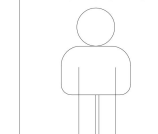
F\*2



Armrest cushion

Persons Required For Assembly:

1Personen



# HARDWARE LIST

①\*12  
Ø6\*40mm



Bolt

②\*6  
Ø8\*3mm



Flat washer

③\*2  
Ø8\*70mm



Double tread bolt

④\*4  
Ø8\*40mm



wooden dowel

⑤\*2  
Ø8



Half moon spacer

⑥\*2  
Ø8



Nut

⑦\*1  
Ø4



Allen key

⑧\*1  
14mm



Spanner

⑨\*2  
Ø11\*9mm



Wooden plug

## SPARE

①\*1  
Ø6\*40mm



Bolt

②\*1  
Ø8\*3mm



Flat washer

③\*1  
Ø8\*70mm



Double tread bolt

④\*1  
Ø8\*40mm



wooden dowel

⑤\*1  
Ø8



Half moon spacer

⑥\*1  
Ø8



Nut

⑨\*1  
Ø11\*9mm

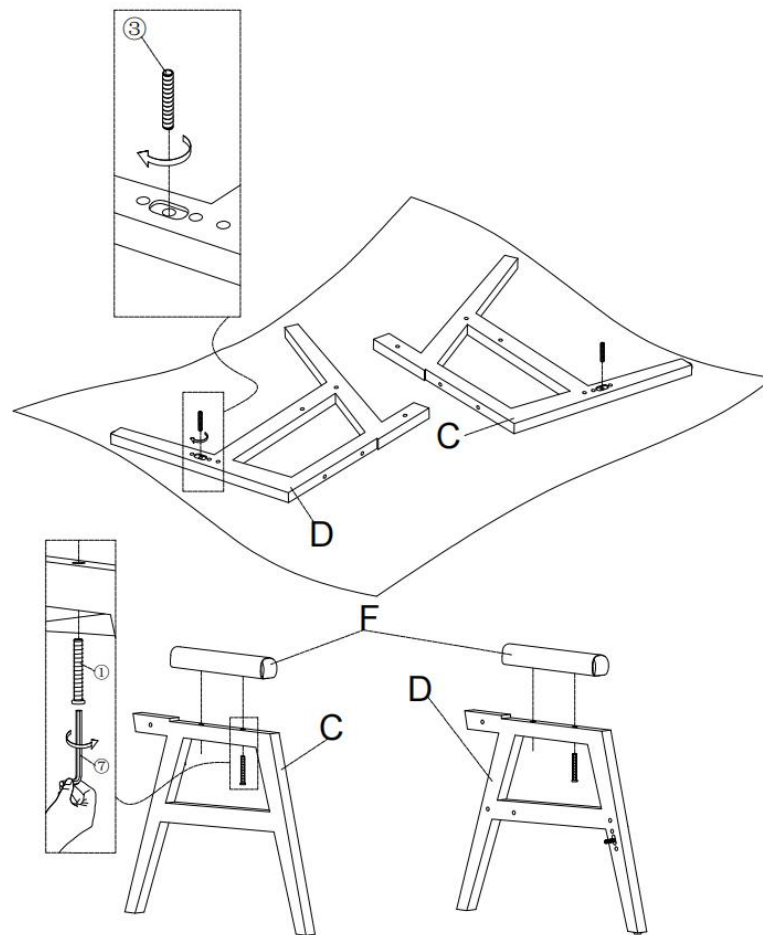


Wooden plug

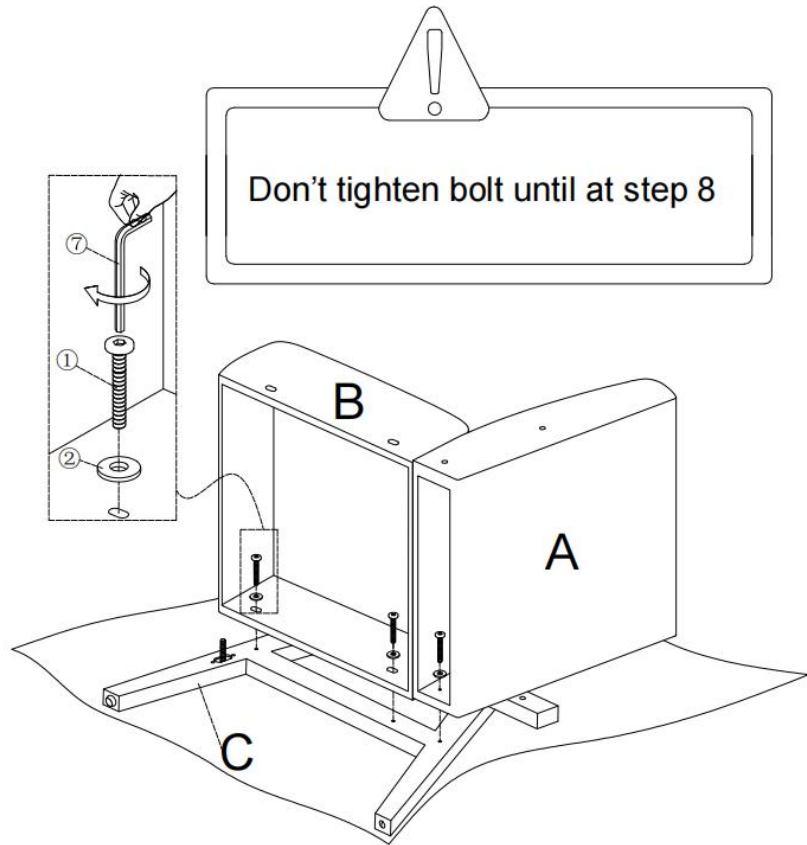
Be sure to inspect all packing material carefully for small parts, that may have come loose inside the carton during shipment.

# ASSEMBLY INSTRUCTIONS

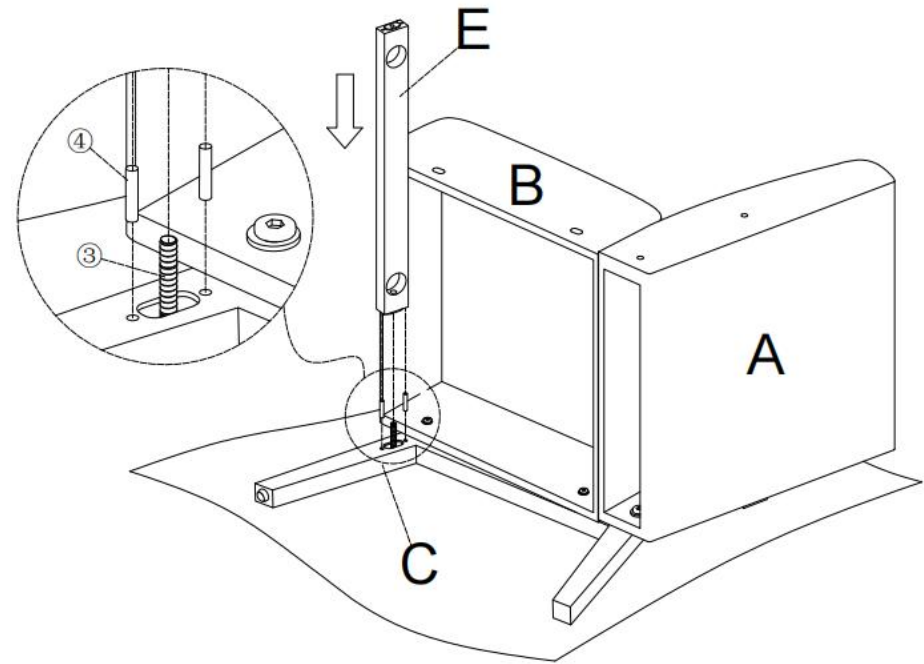
## STEP 1



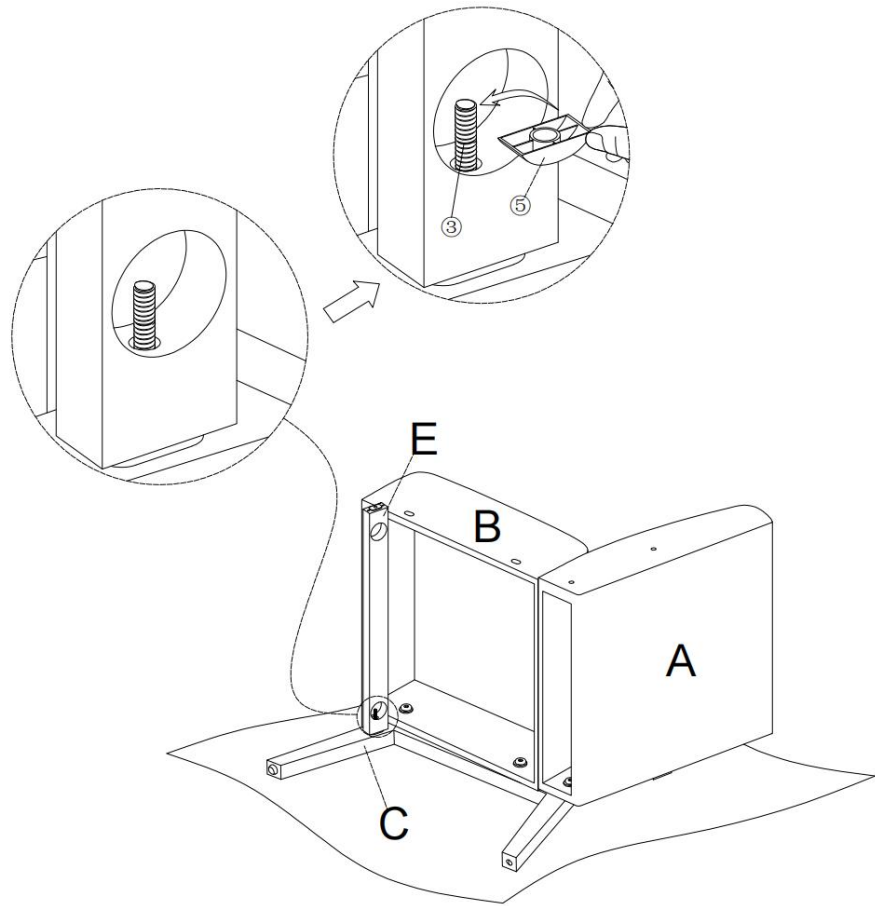
### STEP 2



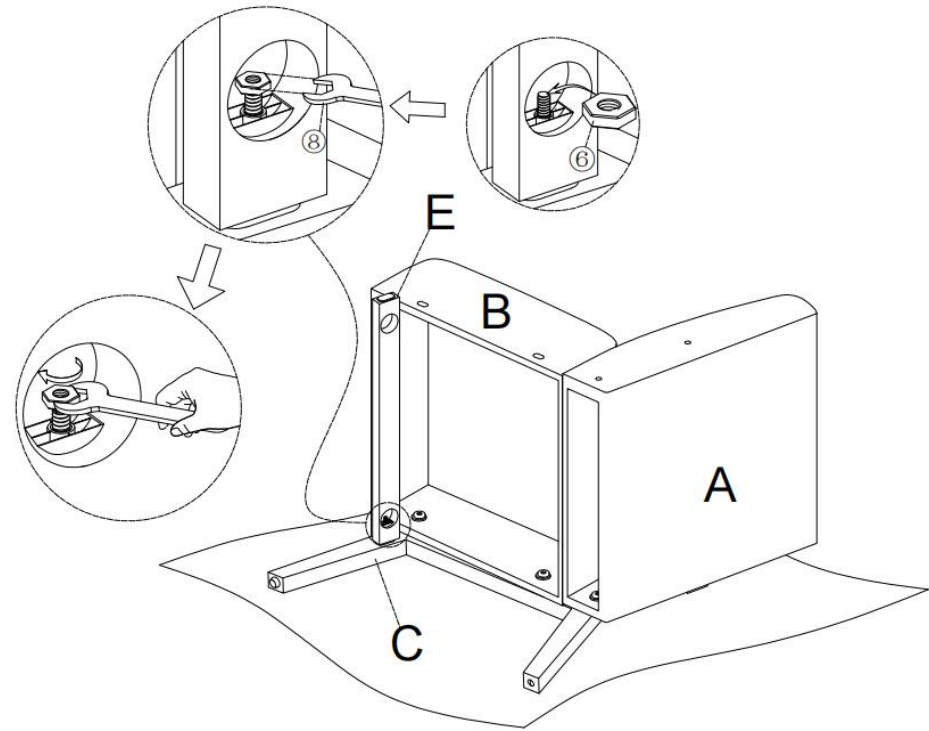
### STEP 3



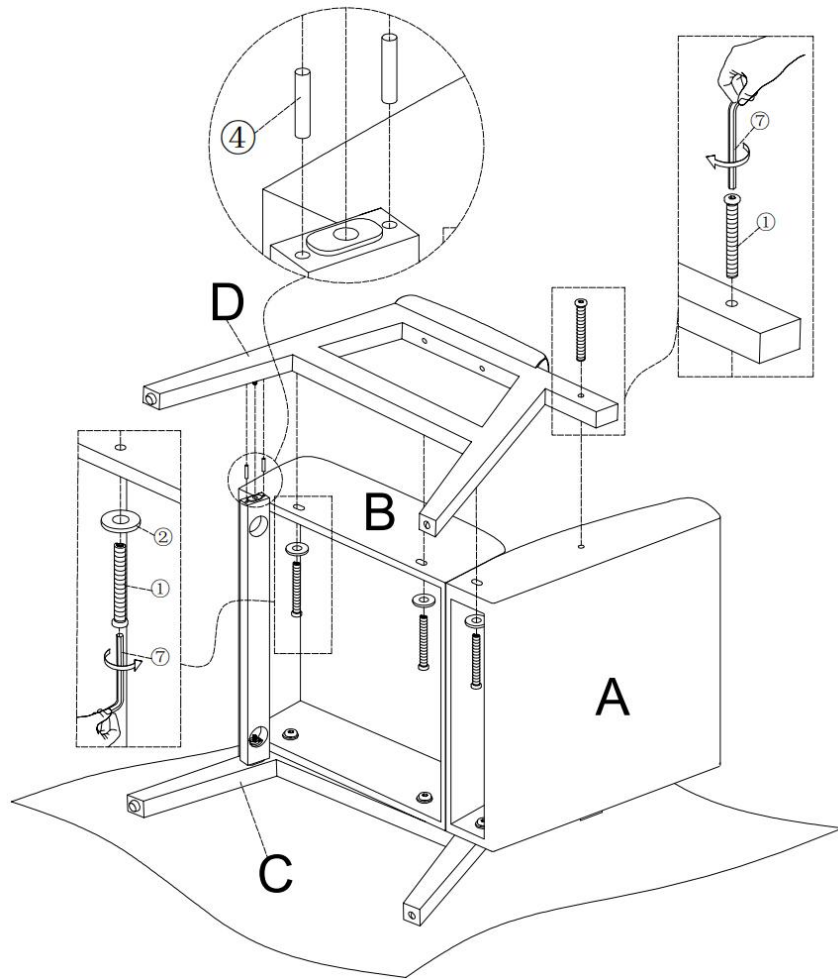
STEP 4



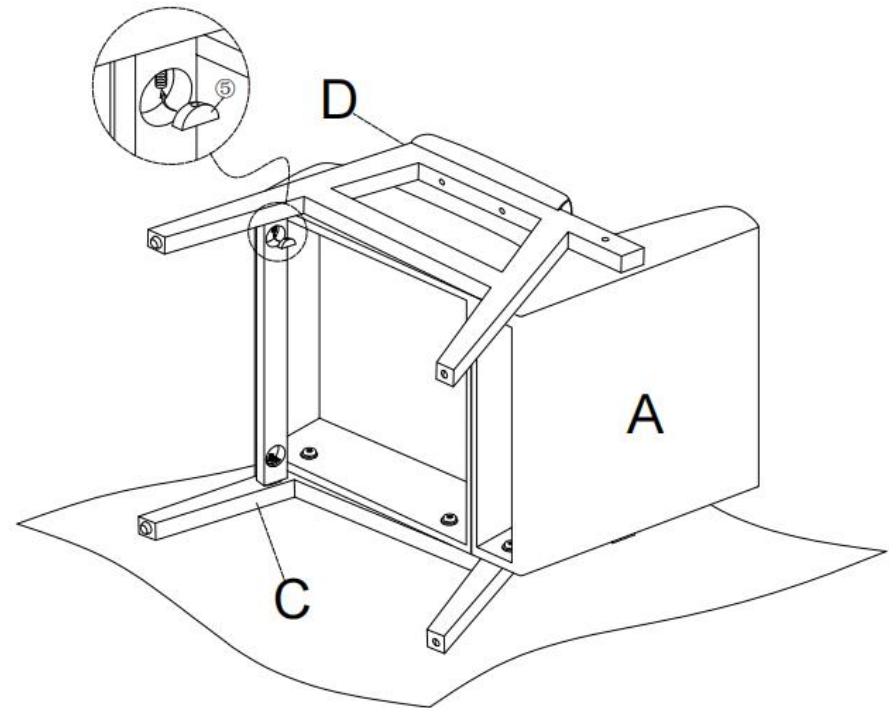
STEP 5



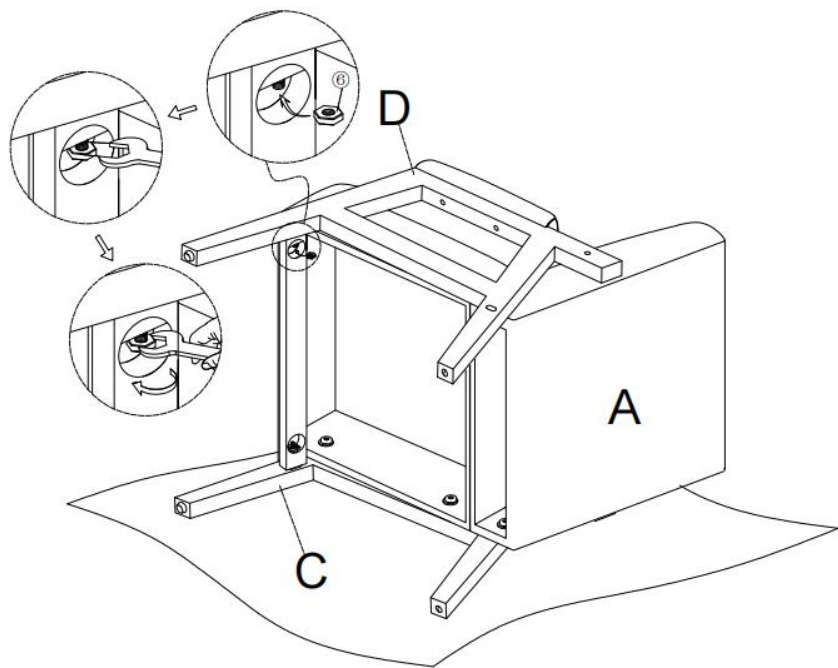
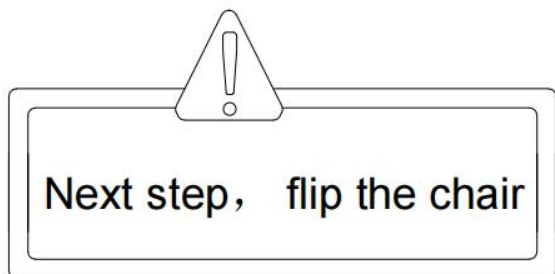
STEP 6



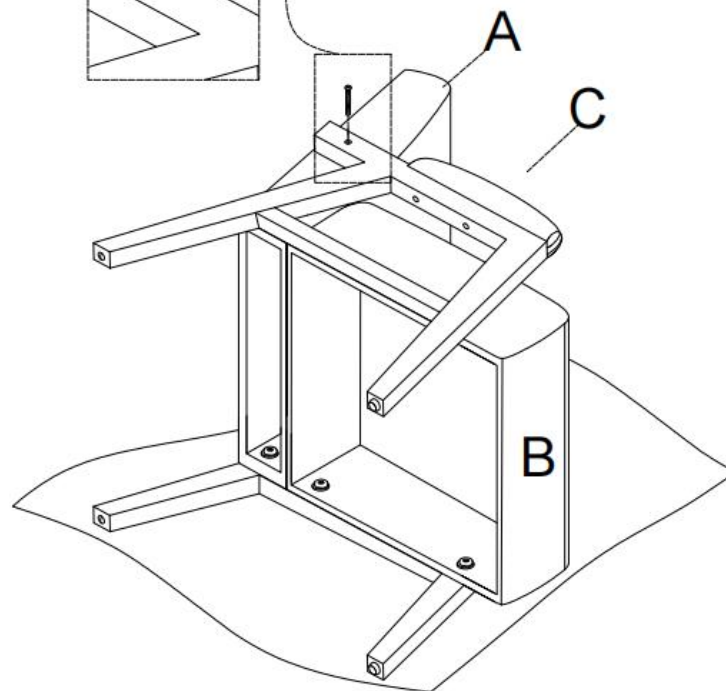
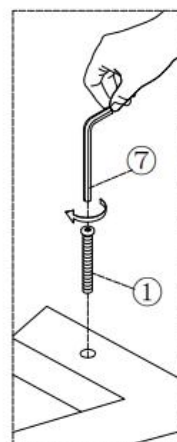
STEP 7



### STEP 8

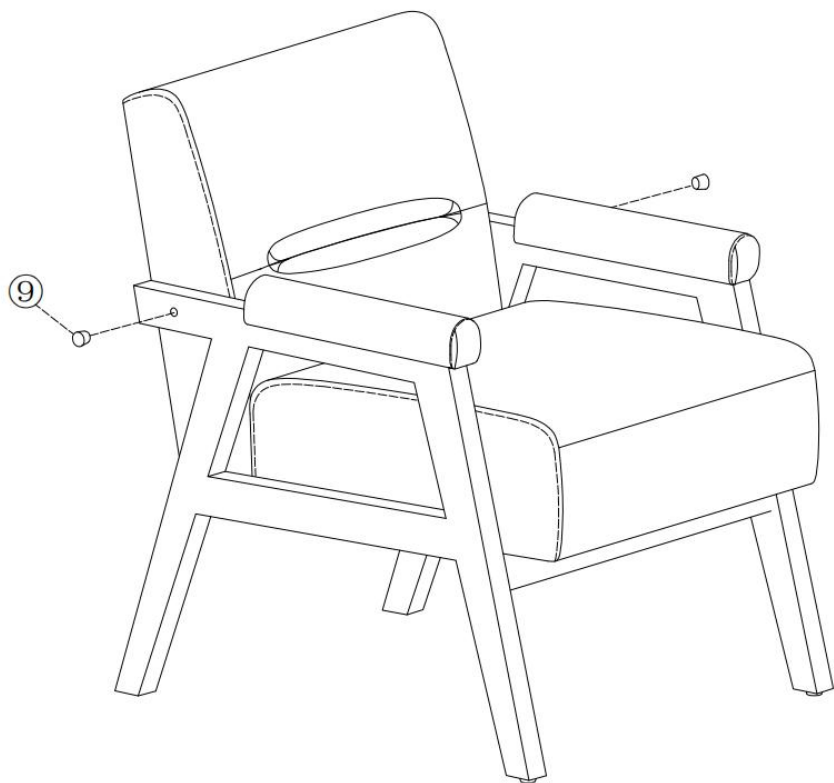


### STEP 9

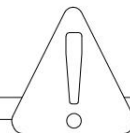




## STEP 10



## STEP 11



**Attention:**  
After installation, adjust the adjustable leveler to keep the chair balanced .  
Be sure to check all packing material carefully for small parts, which may have come loose inside the carton during shipment.

