

# MAINTAINANCE AND WARNING

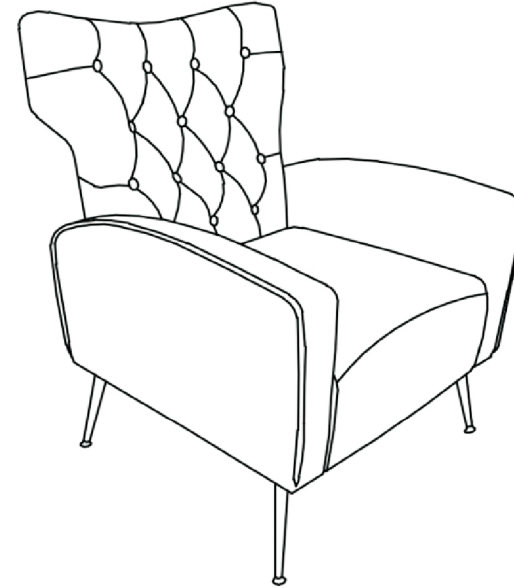
- Keep furniture away from heat.
- Do not clean furniture with harsh cleansers or polish. Do not use detergents, Solvents, abrasives, spray packs or leather cleaner. Use non-color mild soap with warm water clean spills(Mix 1:10 soap to water)
- Do not place furniture under direct sunlight, material will possibly fade over time.
- Do not use on site dry Cleaning machine.
- Children should not climb or jump on the furniture.
- Do not write on furniture without a padded barrier to protect the surface.
- Not for commercial use, For residential use only.



Weight Limitation

**250LBS**

**HULALA**  
H O M E



ITEM NO.CHWH0426

---

## NOTE:

This brochure contains IMPORTANT safty info. Please read and keep for future reference.

---

**Are you having difficulty  
with assembly? Missing parts?  
Please send email with your order No  
customerservice@hulalahome.com  
For return, Please check the return policy with  
the retailer or MarketPlace you bought from.**

**Appreciated your purchasing from us.  
Pop up your life by our furniture piece!**

# WARRANTY

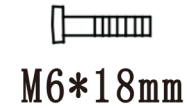
We strive to offer high-quality products, and we also try our best to satisfy each and every customer that orders from us with our product or service as needed. We provide 30 days warranty starting from the time you receive the item. Each customer must provide a record of their order such as the order number, or item receipt for any items that are out of the warranty period. You may also still receive replacement parts by purchasing them with our company if they are available.

## HARDWARE LIST

①\*8



②\*12



③\*8



④\*1

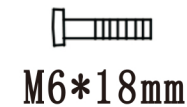


## SPARE

①\*1



②\*1



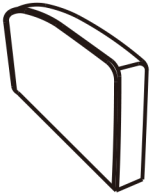
③\*1



Be sure to check all packing material carefully for small parts, which may have come loose inside the carton during shipment.

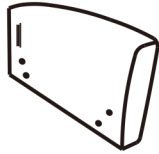
# PARTS LIST

A\*1



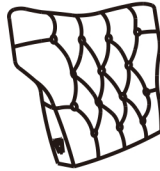
Right Arm

B\*1



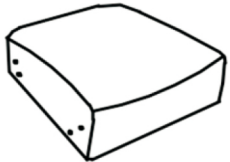
Left Arm

C\*1



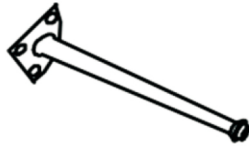
Backrest

D\*1



Seat Cushion

E\*4



Leg

- Read instructions, cover to cover.
- Have 2 adults on hand for assembly.
- Do not assemble on flooring or carpet.
- Assemble on a clean non-marring surface(packing foam).
- Save all packaging until finished.



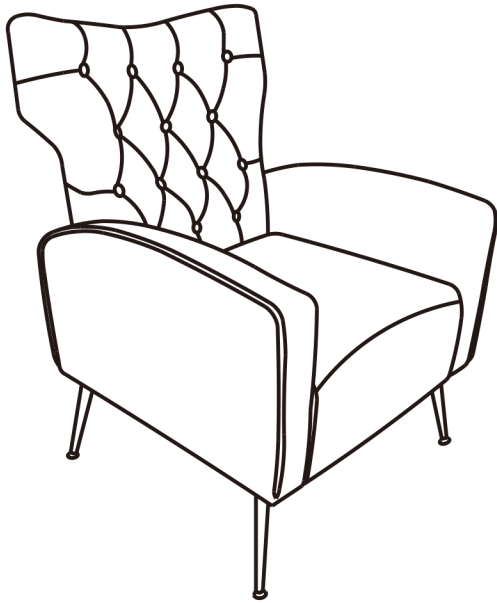
Estimated Duration Of Assembly

**5-10 MINUTES**

## Care & Maintenance


- Furniture may scratch floors. We recommend using furniture pads to protect your floors.
- Do not put hot items directly on furniture surface.
- Do not clean furniture with harsh cleansers or polish.
- Do not place furniture under direct sunlight.
- Do not place furniture near heating or cooling vents.
- Do not write on furniture without a padded barrier to protect the surface.
- Do not place furniture outside. For indoor use only.
- Not for commercial use. For residential use only.
- Stains may be removed with mild soap solution and damp cloth.
- Children should not climb or jump on the furniture.
- Dust and pick-up spills using a clean, non-colored, lint-free cloth.
- According to your own usage, check the condition of the screws regularly, and lock them in time if they are found to be loose.
- If any parts are missing, broken, damaged or worn, stop using this product immediately until repairs are made using factory.
- Failure to follow these warnings could result in serious injury.

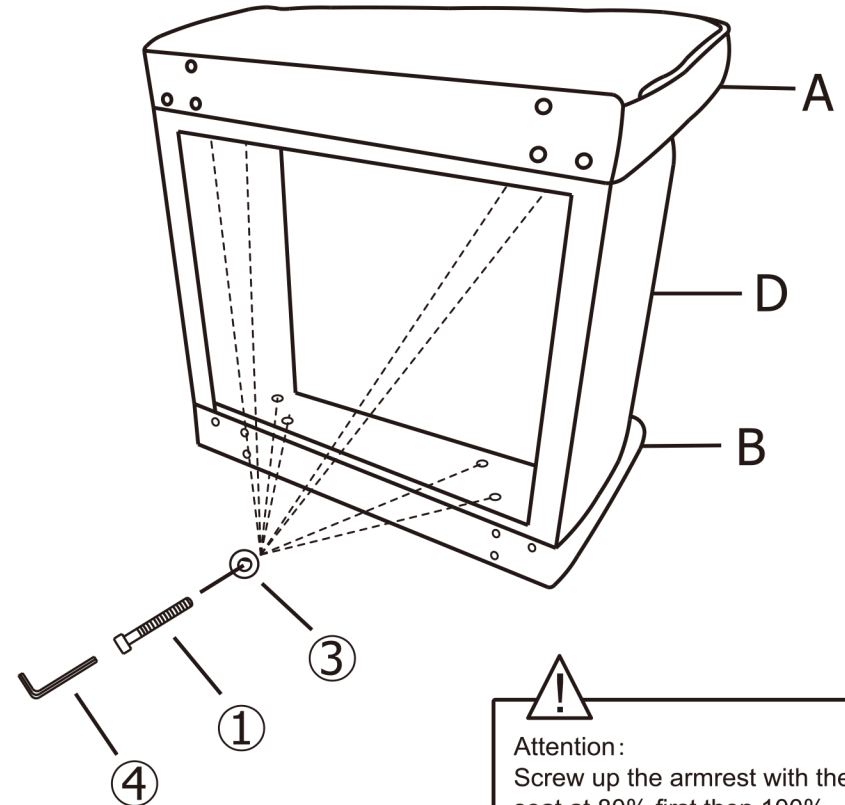
# ASSEMBLY INSTRUCTIONS




Assembly completed

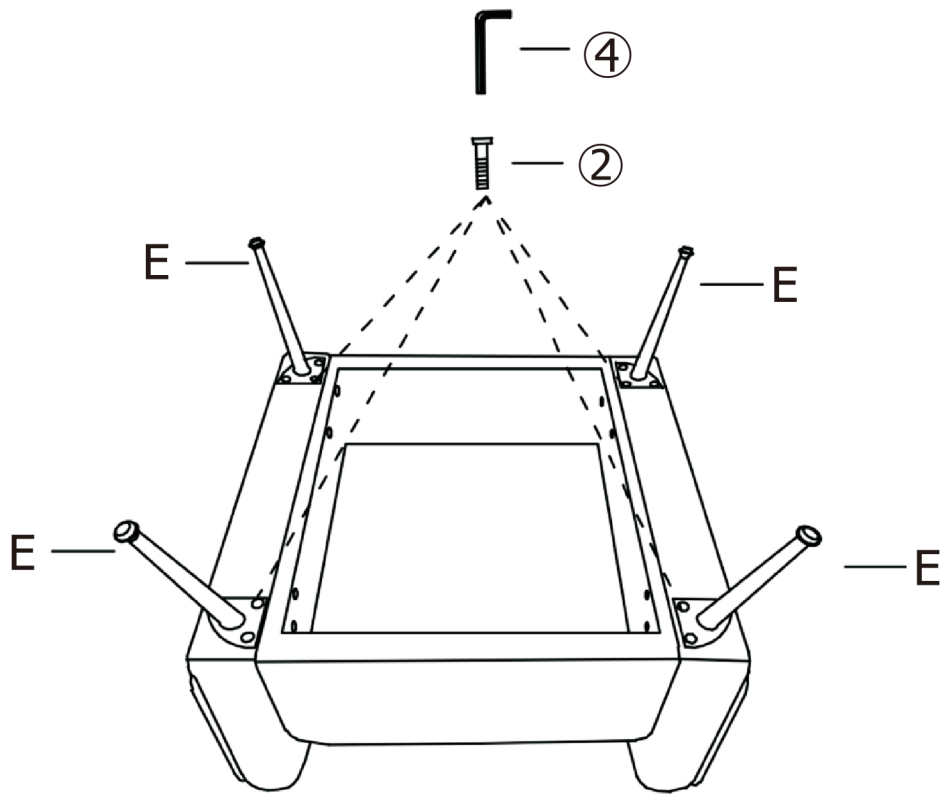


  
Attention:  
After installation, adjust the adjustable leveler to keep the chair balanced.

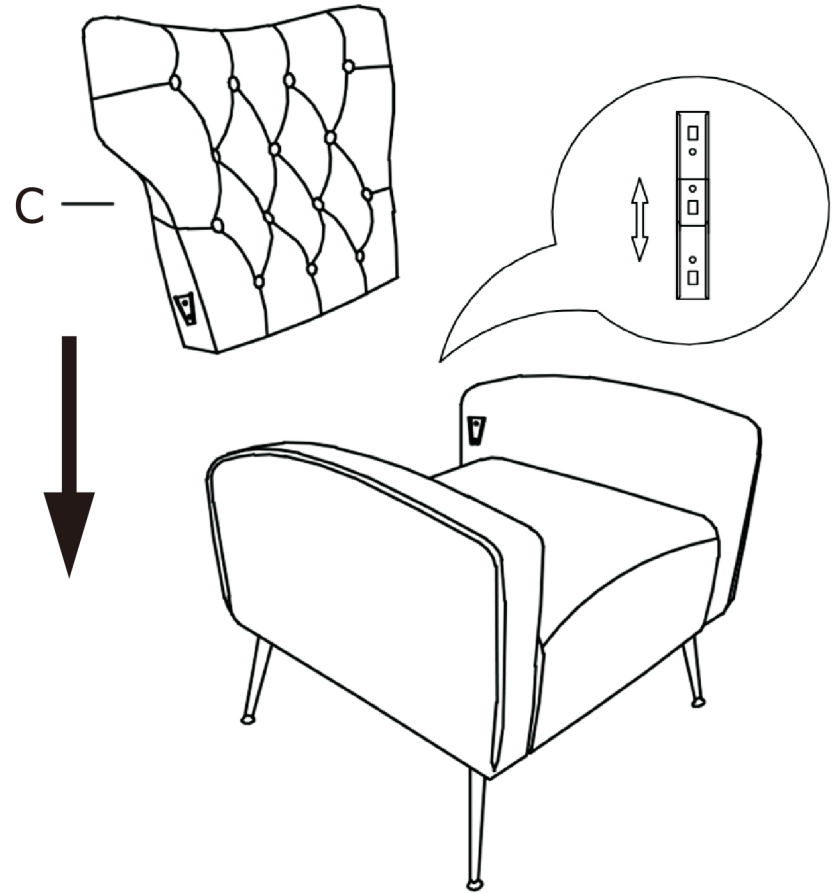


  
Attention:  
Screw up the armrest with the seat at 80% first, then 100% with the backrest.

STEP1: use bolt ①, washer ③, allen Key ④ to attach armrest A/B on left and right side of seat cushion. Make sure all edges align then fasten all bolts to secure.



STEP 2: Use bolt ② and allen key ④ to attach legs to bottom of the armrest,fasten all bolts to secure.



STEP 3: Insert backrest to space between left and right armrest, make sure the male metal plate inserted to female metal plate and hold the backrest securely.