

## WARRANTY

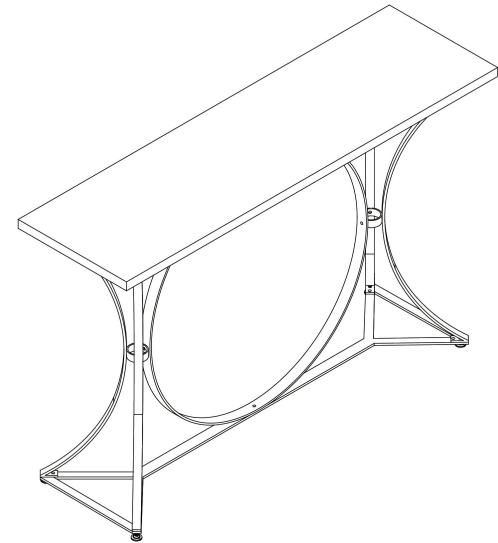
We strive to offer high-quality products, and we also try our best to satisfy each and every customer that orders from us with product or service as needed. We provide 30 days warranty starting from the time you receive the item. Each customer must provide a record of their order such as the order number, or item receipt for any items that are out of the warranty period you may also still receive replacement parts by purchasing them with our company if they are available.

**Are you having difficulty  
with assembly? Missing parts?**

**Please send email with your order No  
[customerservice@hulalahome.com](mailto:customerservice@hulalahome.com)**

**For return, Please check the return policy with  
the retailer or MarketPlace you bought from.**

**Appreciated your purchasing from us.  
Pop up your life by our furniture piece!**



**ITEM NO. CTMG0387**

---

### NOTE:

This brochure contains IMPORTANT safty info. Please read and keep for future reference.

---

# MAINTAINANCE AND WARNING

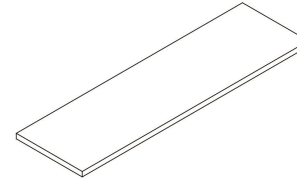
- Keep furniture away from heat.
- Do not clean furniture with harsh cleansers or polish. Do not use detergents, Solvents, abrasives, spray packs or leather cleaner. Use non-color mild soap with warm water clean spills(Mix 1:10 soap to water)
- Do not place furniture under direct sunlight, material will possibly fade over time.
- Do not use on site dry Cleaning machine.
- Children should not climb or jump on the furniture.
- Do not write on furniture without a padded barrier to protect the surface.
- Not for commercial use, For residential use only.



Weight Limitation

**100LBS**

# PARTS LIST



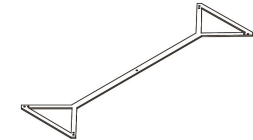
Ax1



Bx1



Cx4



Dx1



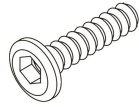
Ex2

# HARDWARE LIST

① x4

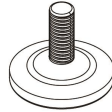


② x16

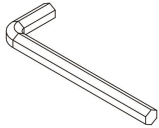


M6 x 12mm

③ x4



④ x1



⑤ x5



⑥ x1



# SPARE

① x1

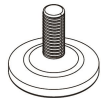


② x1



M6 x 12mm

③ x1

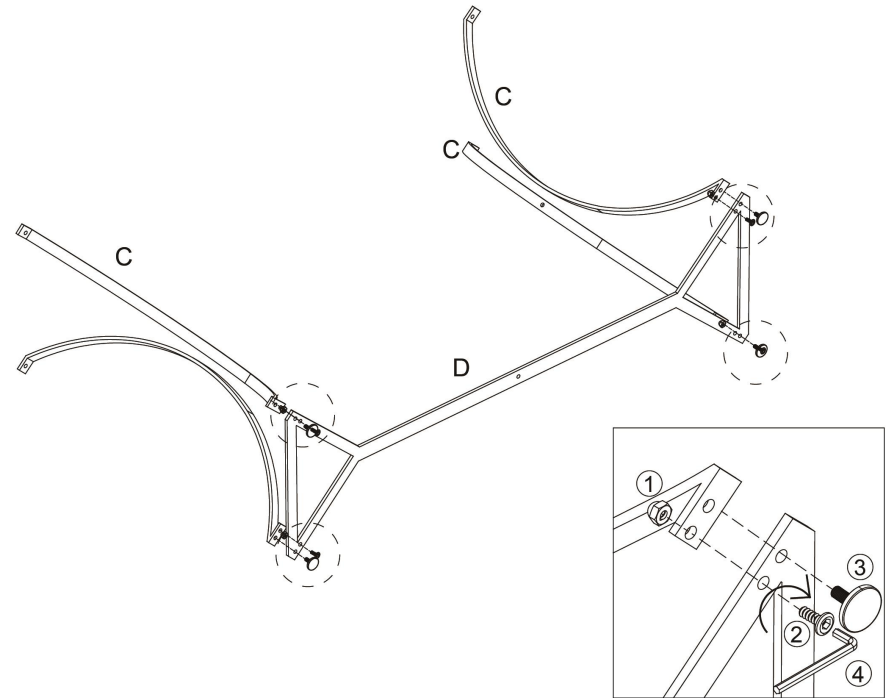


⑤ x1

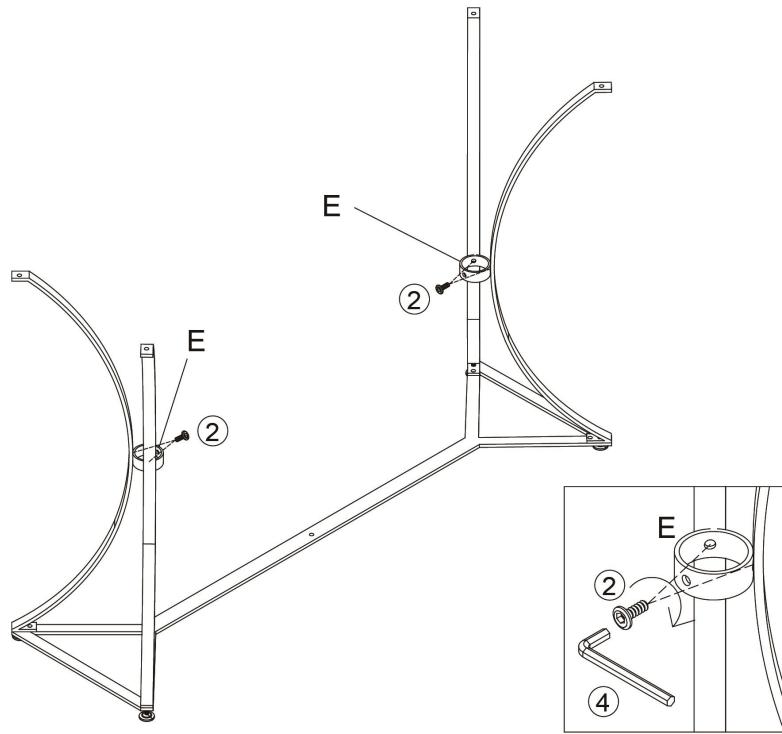


Be sure to check all packing material carefully for small parts, which may have come loose inside the carton during shipment.

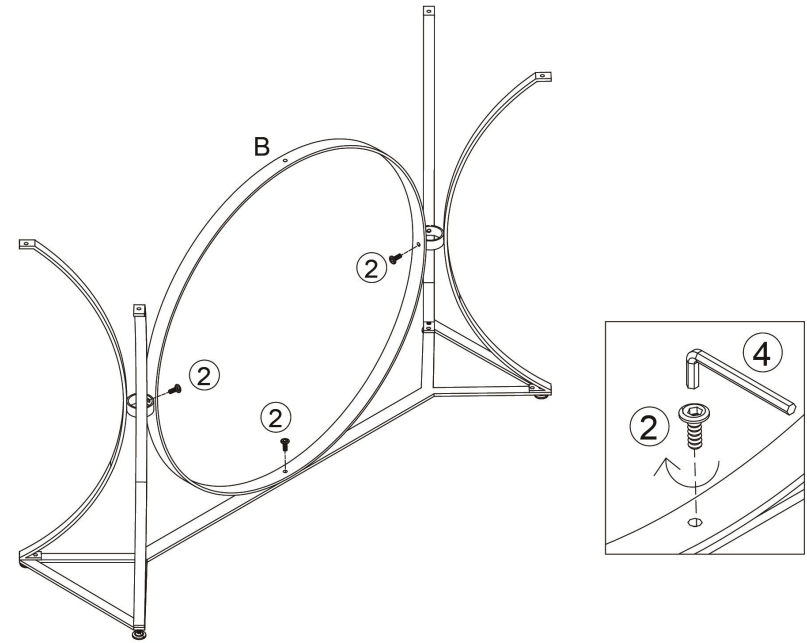
# ASSEMBLY INSTRUCTIONS



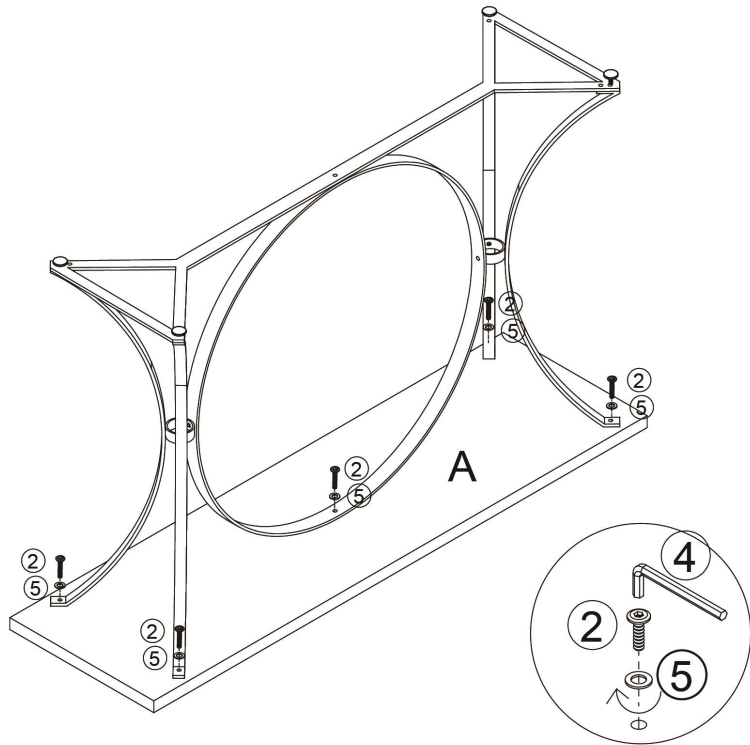
**STEP 1:** Assemble the leg frame. Align hole on the part D with the screw hole on the part C, screw in and tighten the screw #2 by allenkey #4 as picture show. Screw in the legs #3 on the frame as the picture show.



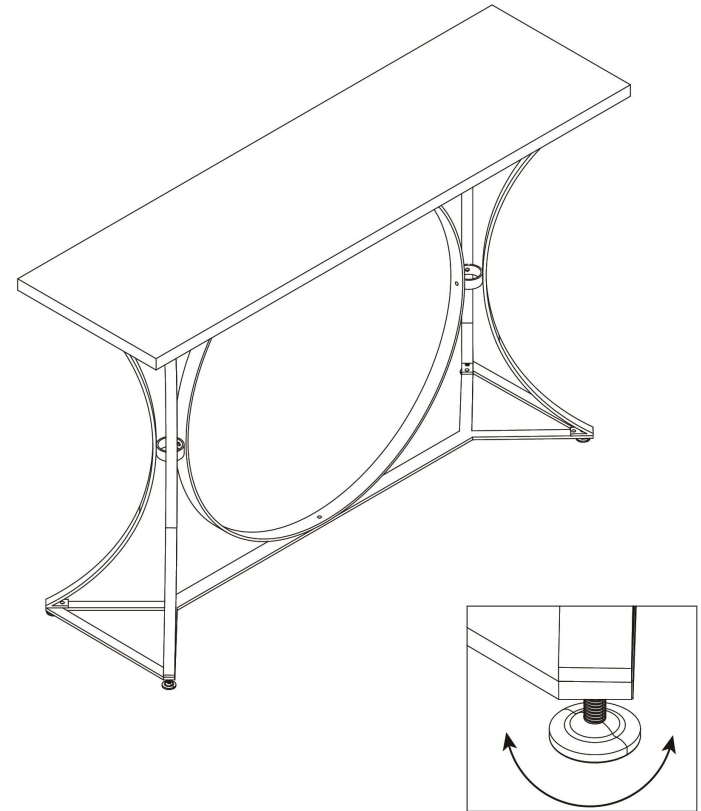
**STEP 2:** Attach part E on the legs C. Align the hole on the part E with the screw hole on part C, then screw in with screw #2 by allenkey as the picture show.



**STEP 3:** Fix the part B on the leg frame. Align the hole on the part B with the screw hole on frame (as the picture show), then screw in with screw #2 by allenkey #4.

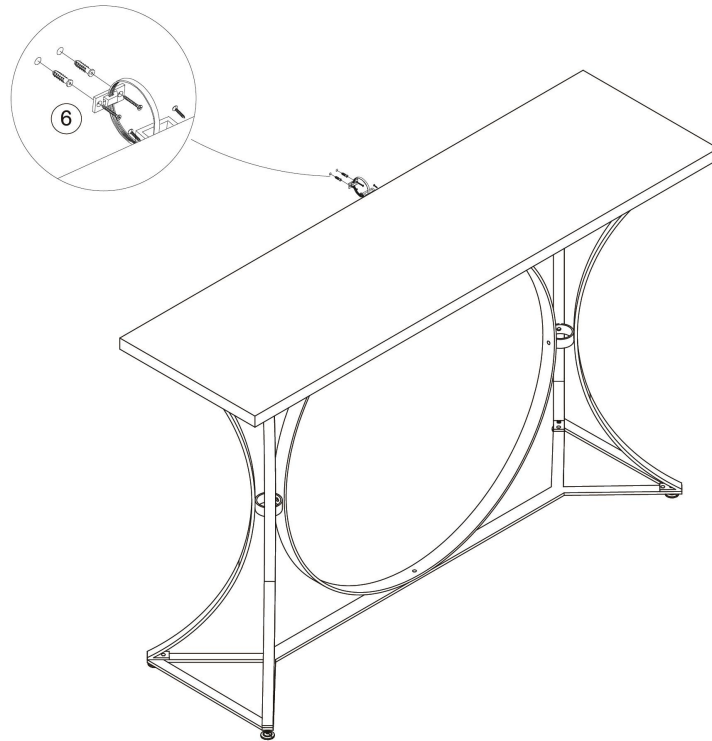


**STEP 4:** Attach the part A to the leg frame. Align the hole on the frame leg to the screw hole on the part A. Tighten the screw #2 with washer #5 by Allenkey #4.



Assembly completed.

**STEP 5:** Check the balance. you can use the attached nail to adjust the product in case it is wobbling. Now your product is ready to use.



**Installation Instructions:** This tip restraint must be attached to a wall stud using the 2" screw enclosed: 1. Attach a bracket securely to the back top rail of the furniture using the 5/8" screw provided, through the smaller hole. 2. Locate the other bracket on the wall over a wall stud and 2 inches below the mounting bracket secured to the back of your unit. Attach to the wall stud using the 2" screw provided, through the smaller hole. 3. Place the furniture into position so both mounting brackets are vertically in line. 4. Lace the end of the restraint strap through the larger hole in each mounting bracket. Bring both ends together and slide the flat end through the locking end and draw it through until all slack is removed. 5. Confirm that the strap is securely laced and locked.