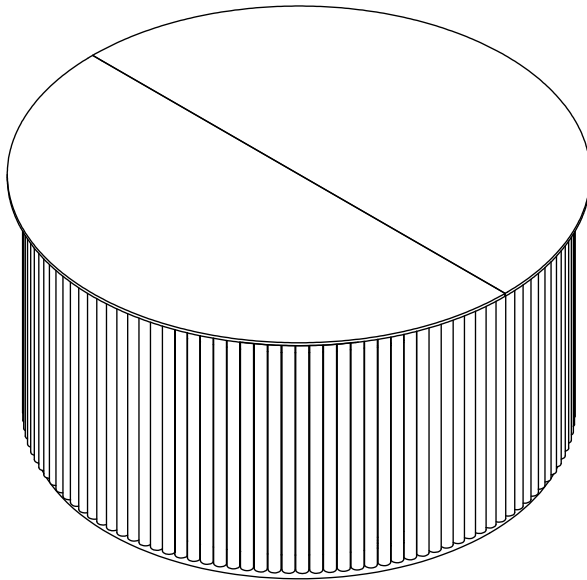


HULALA

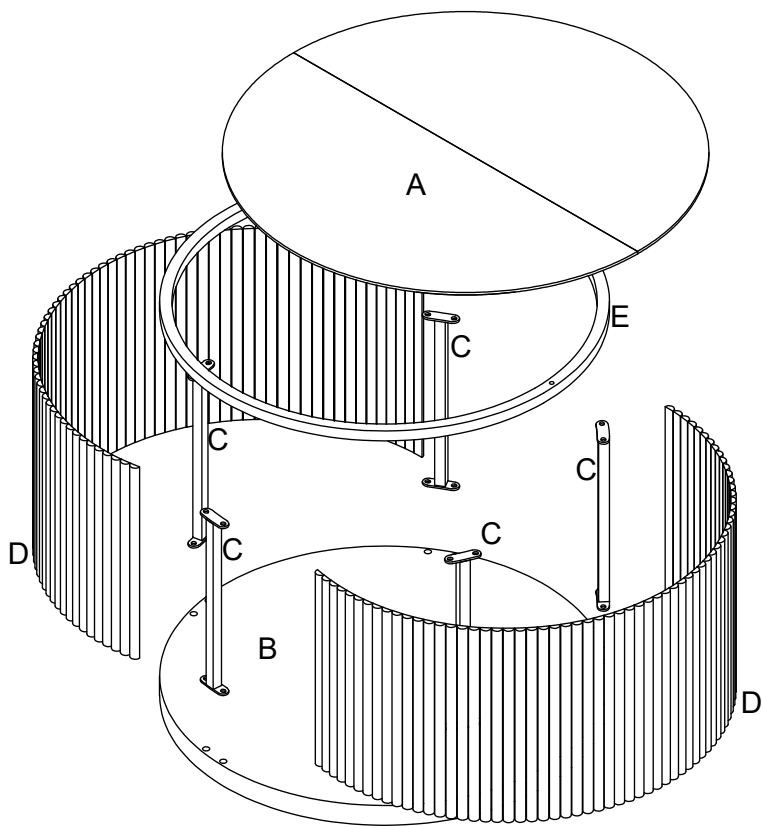
H O M E



ITEM NO.SCSD1118

NOTE:

This brochure contains IMPORTANT safty info. Please read and keep for future reference.



OVERVIEW

MAINTENANCE AND WARNING

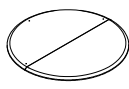
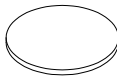

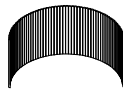

- Keep furniture away from heat sources.
- Do not clean furniture with harsh cleaner or polishes. Do not use detergents, Solvents, abrasives, spray packs or leather cleaner. Use non-color mild soap with warm water to clean spills (Mix 1:10 soap to water)
- Do not place furniture under direct sunlight, material will possibly fade over time.
- Do not use on site dry Cleaning machine. Children should not climb or jump on the furniture.
- Do not write on furniture that is not protected by a padded barrier .
- Not for commercial use, only for residential use.



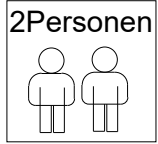
Weight Limitation

100 LBS

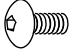


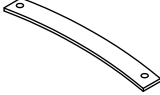



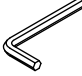

PARTS LIST 1

A 	B 	C 	D 
1 PC	1 PC	4 PC	4 PC
E 			
1 PC			

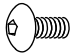
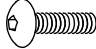
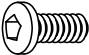
Persons Required For Assembly:



PARTS LIST 2

①	x20	②	x3	③	x8	④	x1	⑤	x2
									
⑥	x2	⑦	x2	⑧	x1	⑨	x3		
									

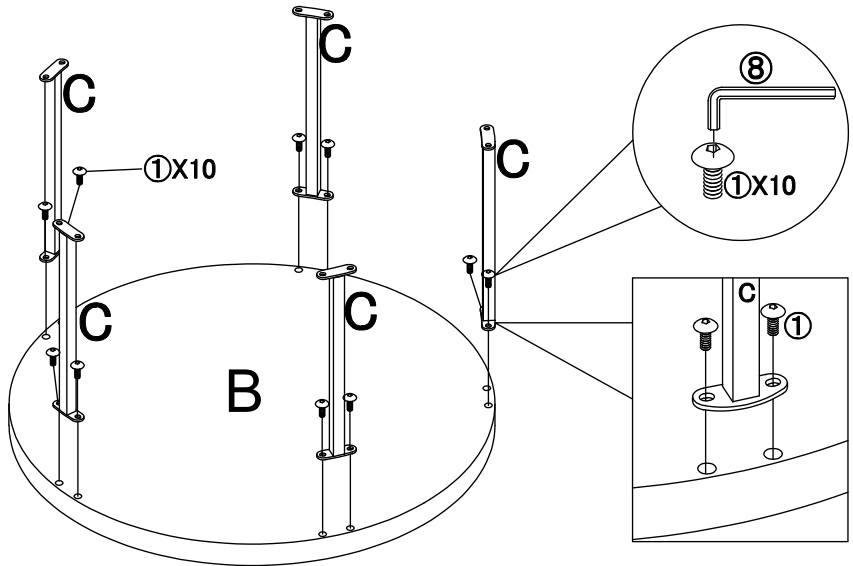
SPARE

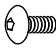

①	x2	②	x1	⑦	x1
					

Be sure to inspect all packing material carefully for small parts, that may have come loose inside the carton during shipment.

STEP 1

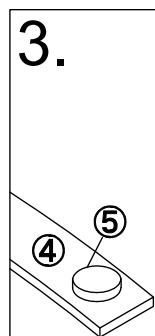
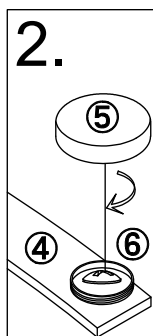
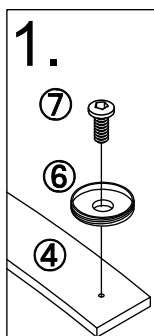
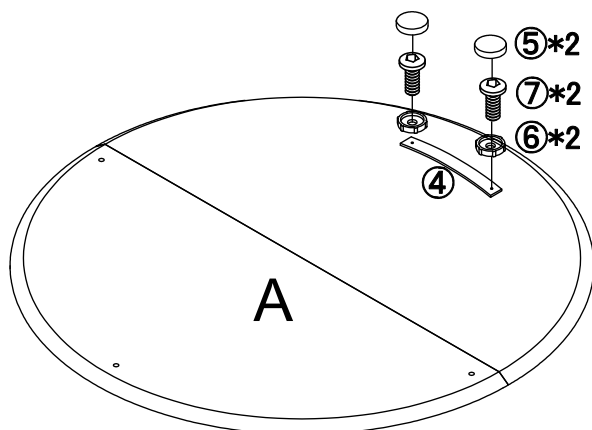
1. 用扳手8和螺杆1将C铁件锁在B号板上对位孔位



①	x10	⑧	x1
			
M6*15mm		M4	

STEP 2

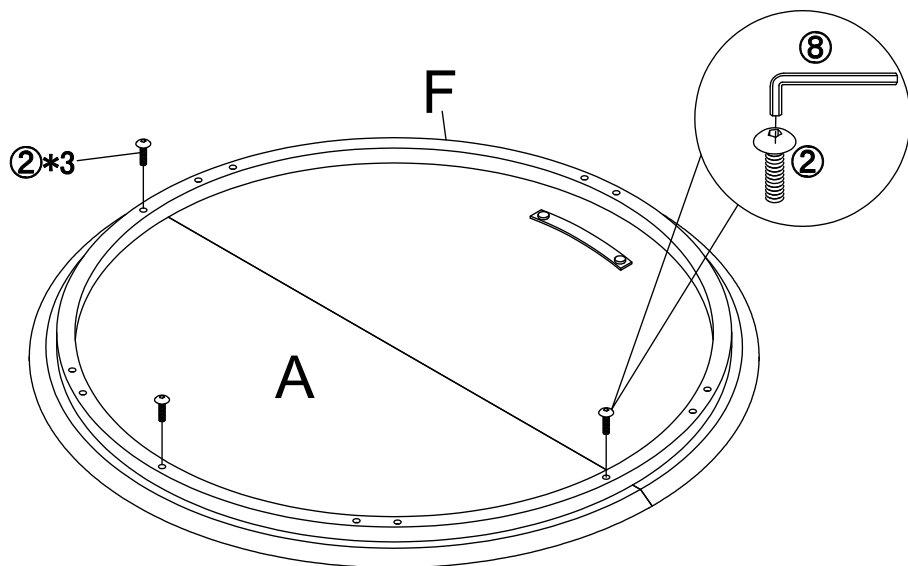
1. 用螺丝刀9和螺杆7将部件5和拉带4锁在A号板上对位孔位
2. 将部件5扣在部件6上面


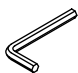


④	x1	⑤	x2	⑥	x2	⑦	x2
						M6*12mm	

STEP 3

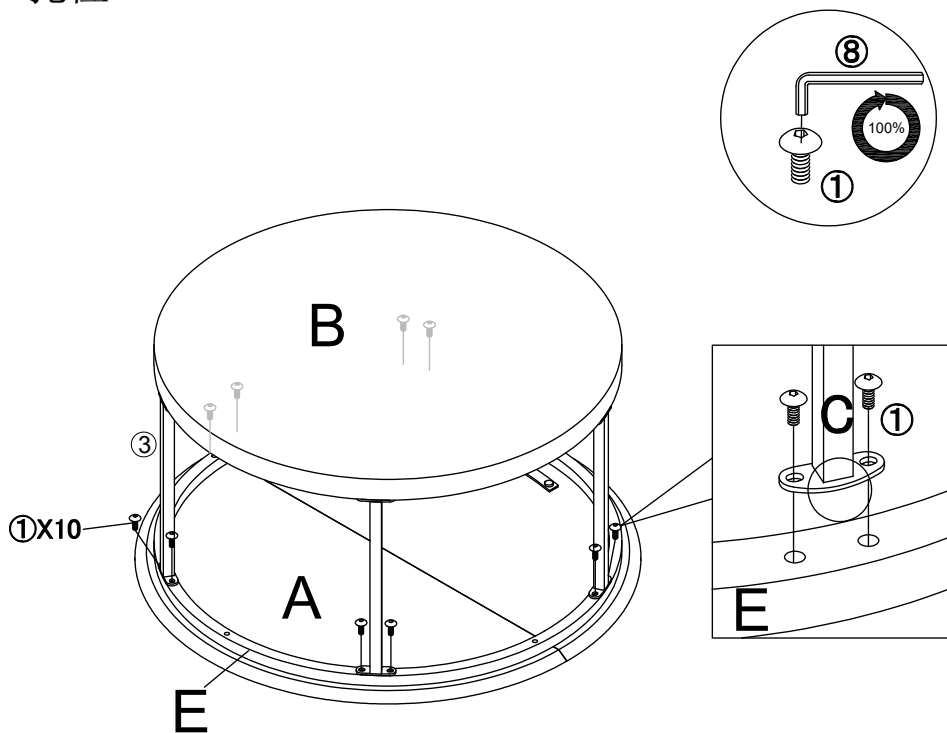
1. 用扳手8和螺杆2将E号铁件锁在A号板上对位孔位

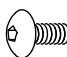
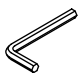


②	x3	⑧	x1
			
M6*30mm		M4	

STEP 4

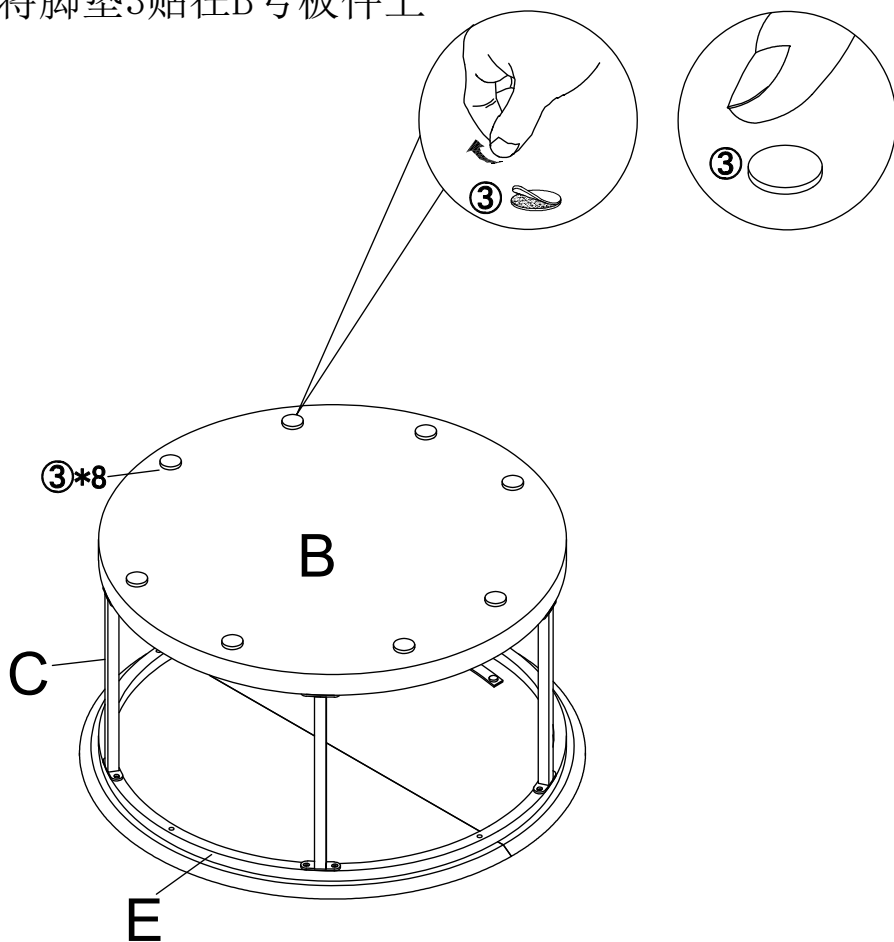
1. 用扳手8和螺杆2将C号铁件锁在E号铁件上对位孔位



①	x10	⑧	x1
			
M6*15mm		M4	

STEP 5

1. 将脚垫3贴在B号板件上



③*8

B

C

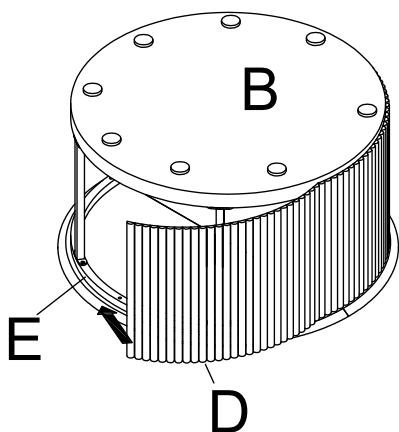
E

③	x8
Ø30	

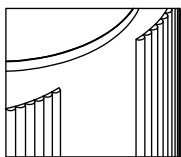
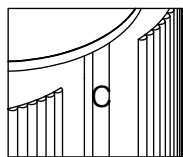
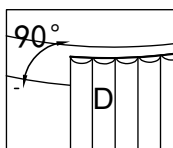
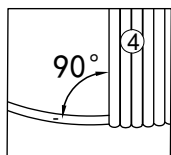
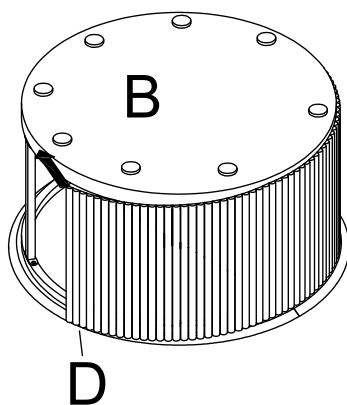
STEP 6

1. 将D号板件贴在B号板件和E号铁件上

1.

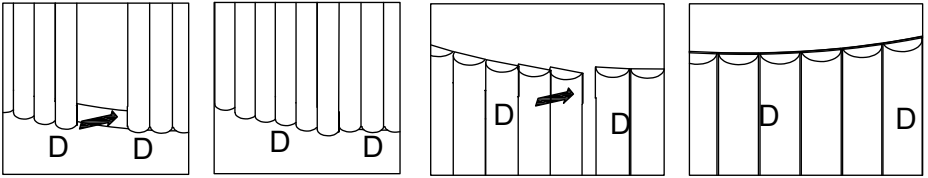


2.



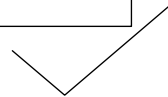
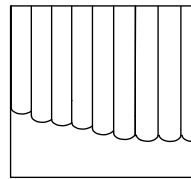
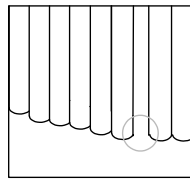
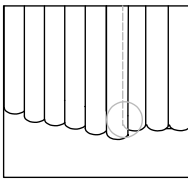
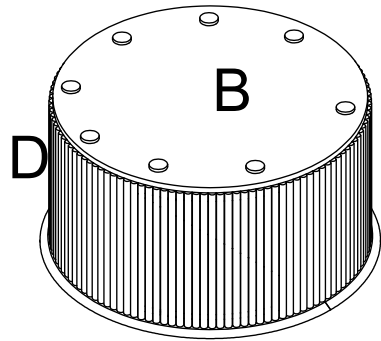
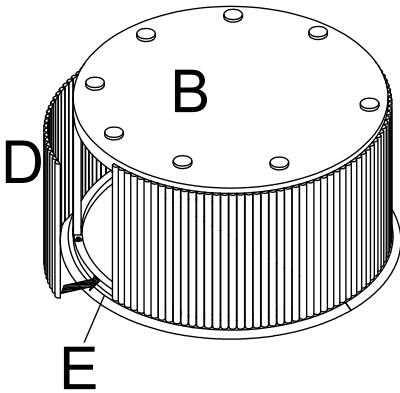
STEP 7

1. 将D号板件贴在B号板件和E号铁件上



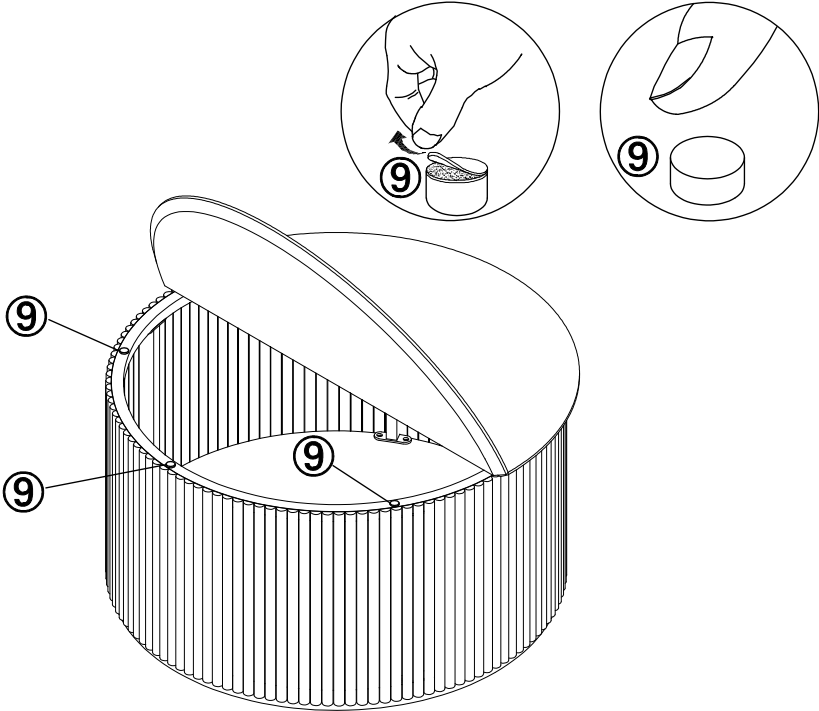
1.

2.



STEP 8

1. 将硅胶垫9号贴在E号铁件上



9	x3

WARRANTY

We strive to offer high-quality products, and we also try our best to satisfy each and every customer that orders from us with product or service as needed. We provide 30 days warranty starting from the time you receive the item. Each customer must provide a record of their order such as the order number, or item receipt for any items that are out of the warranty period you may also still receive replacement parts by purchasing them with our company if they are available.

Are you having difficulty
with assembly? Missing parts?
Please send email with your order No to
customerservice@hulalahome.com
For return, please check the return policy with
the retailer or market place you bought from.

Appreciate your purchasing from us.
Pop up your life by our furniture piece!