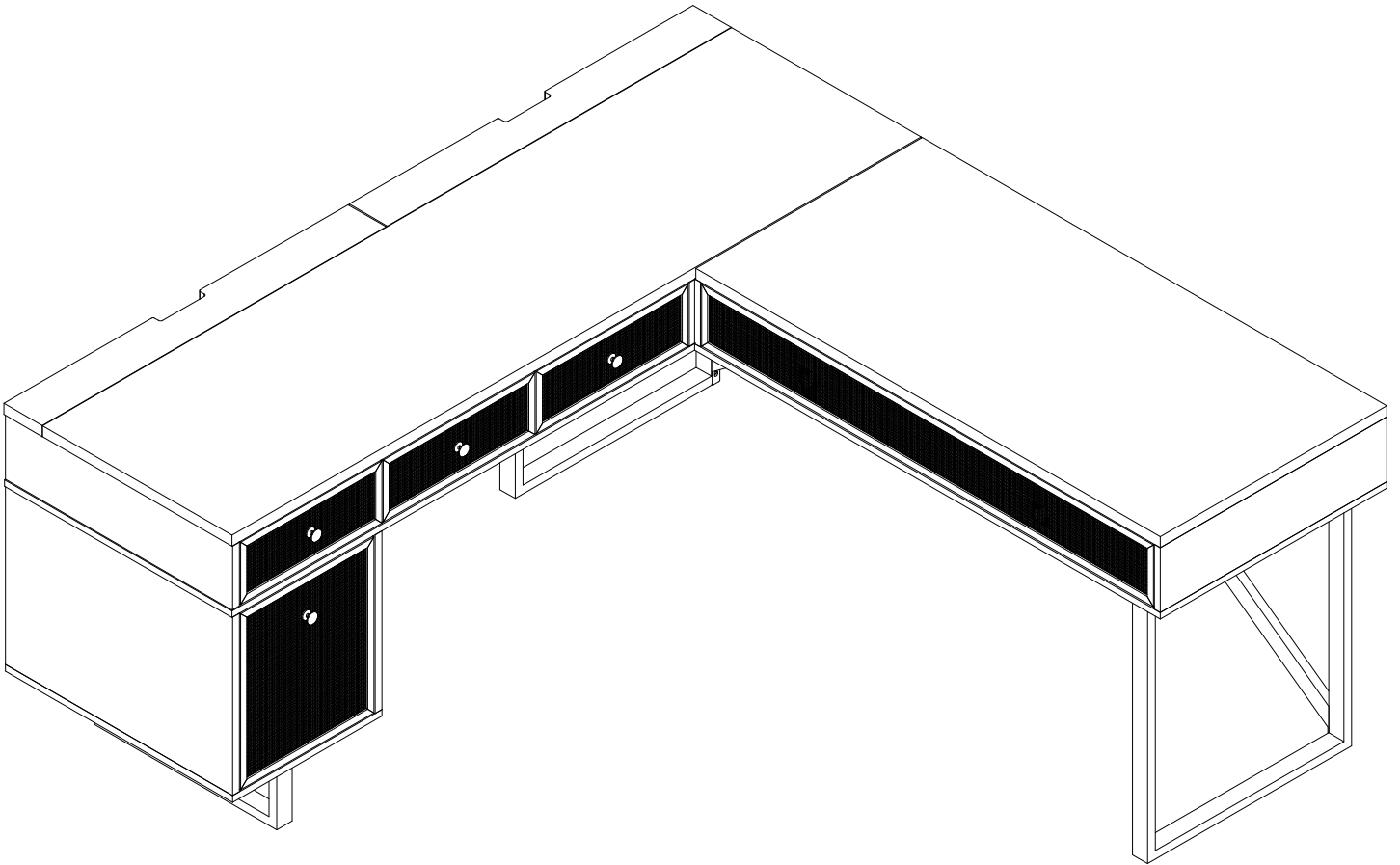


HULALA

H O M E



ITEM NO.DKHHC0902

NOTE:

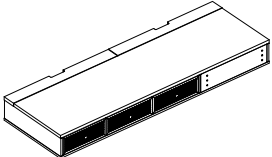
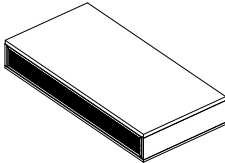
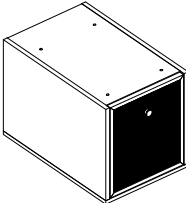
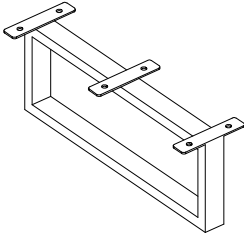
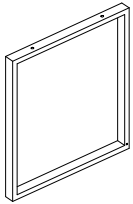
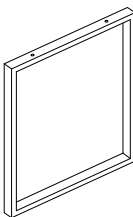
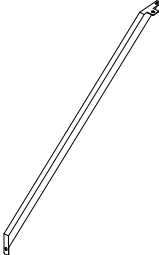
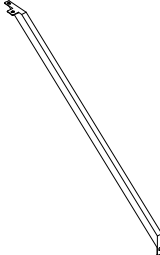
This brochure contains IMPORTANT safty info. Please read and keep for future reference.

MAINTAINANCE AND WARNING

- 1.Keep furniture away from heat sources.
- 2.Do not clean furniture with harsh cleaner or polishes.Do not use detergents,solvents,abrasives,spray packs or leather cleaner. Use non-color mild soa with warm water to clean spills(Mix 1:10 soap to water).
- 3.Do not place furniture under direct sunlight,material will possibly fade over time.
- 4.Do not use on site dry cleaning machine.Children should not climb or jump on the furniture.
- 5.Do not write on furniture that is not protectedby a padded barrier.
- 6.Not for commercial use,only for residential use.



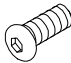
DKHC0902-PARTS LIST

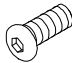
A	x1	B	x1	C	x1	D	x1
							
TABLE TOP LEFT		TABLE TOP RIGHT		SIDEBOARD		LEGS FRAME	
E	x1	F	x1	G	x1	H	x1
							
METAL FRAME LEFT		METAL FRAME RIGHT		METAL BRACING LEFT		METAL BRACING RIGHT	

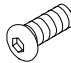
2PERSON

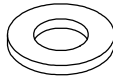



DKHC0902-HARDWARE LIST

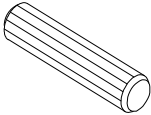
#1	x4
	
Bolts	
φ5/16*38mm	

#2	x8
	
Bolts	
φ5/16*32mm	

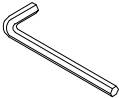
#3	x12
	
Bolts	
φ5/16*19mm	

#4	x24
	
Flat Washer	
φ5/16*φ16*1mm	

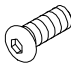
#5	x24
	
Spring washer	
φ5/16*1.5mm	

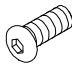
#6	x2
	
Wood Dowel	
φ10*20mm	

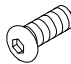
DKHC0902-TOOL LIST

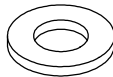
#7	x1
	
Allen Key	


DKHC0902-HARDWARE SPARE LIST

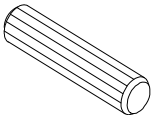
#1	x1
	
Bolts	
φ5/16*38mm	

#2	x1
	
Bolts	
φ5/16*32mm	

#3	x1
	
Bolts	
φ5/16*19mm	

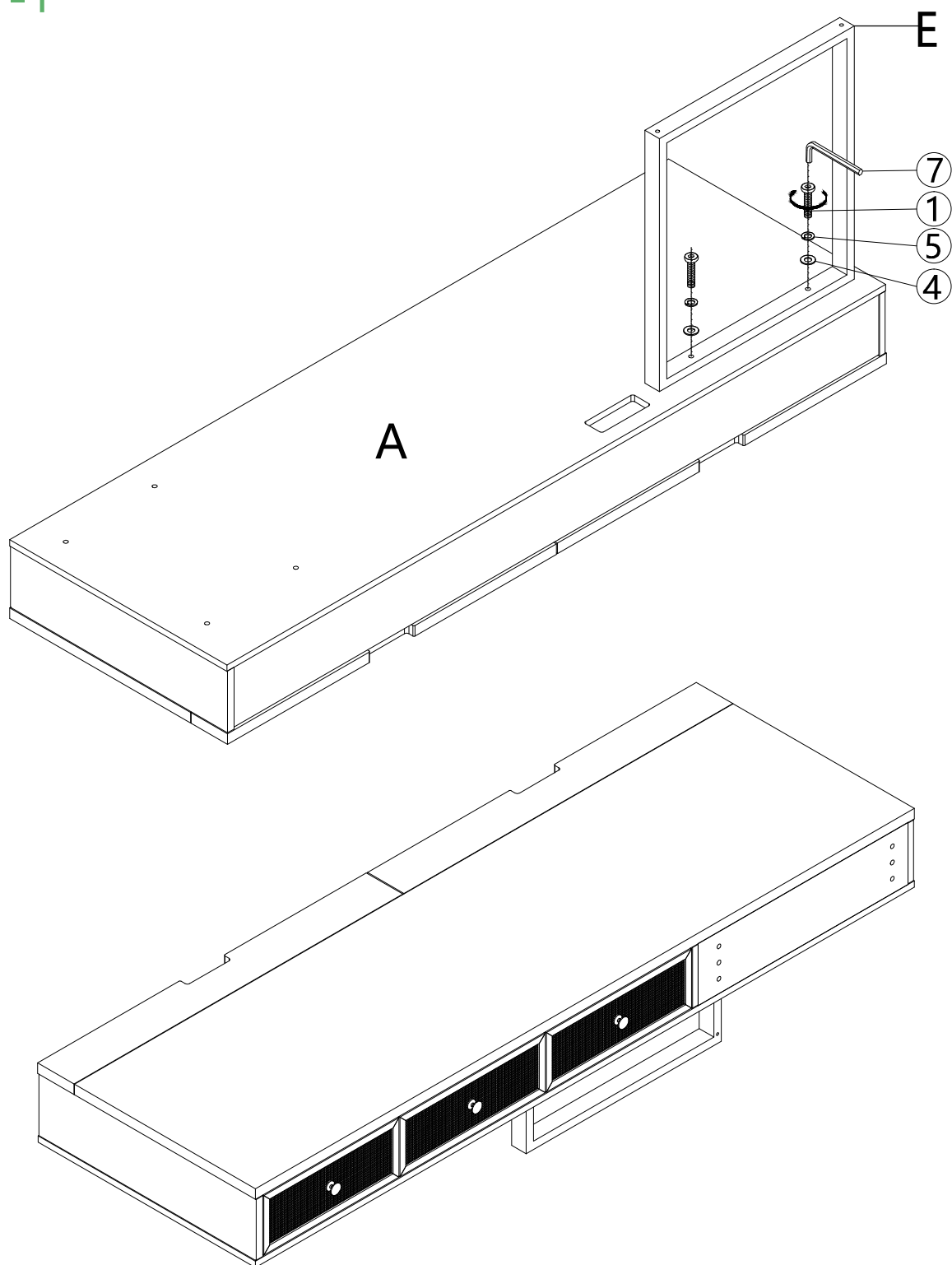
#4	x3
	
Flat Washer	
φ5/16*φ16*1mm	

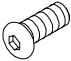
#5	x3
	
Spring washer	
φ5/16*1.5mm	

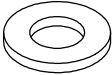
#6	x1
	
Wood Dowel	
φ10*20mm	


ASSEMBLY INSTRUCTIONS

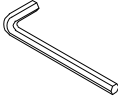
STEP-1



#1	x2
	
Bolts	
φ5/16*38mm	

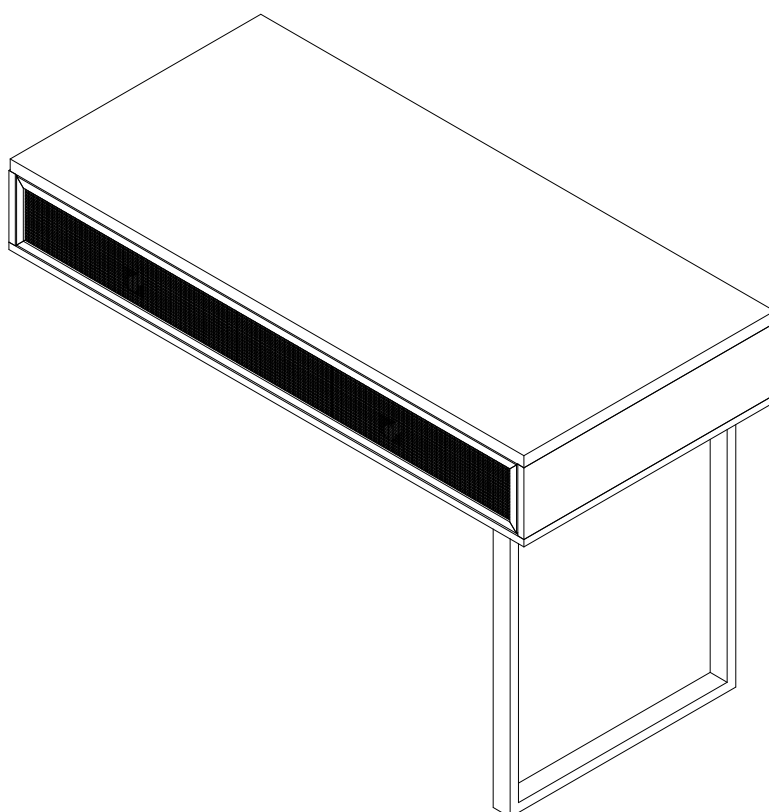
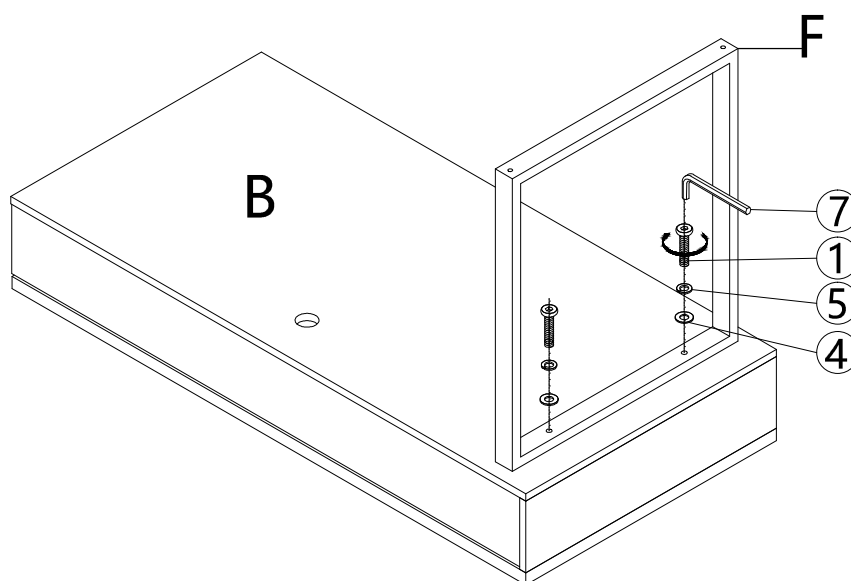
#4	x2
	
Flat Washer	
φ5/16*φ16*1mm	

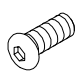
#5	x2
	
Spring washer	
φ5/16*1.5mm	

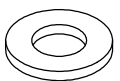
#7	x1
	
Allen Key	

ASSEMBLY INSTRUCTIONS

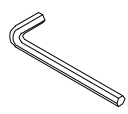
STEP-2



#1	x2
	
Bolts	
φ5/16*38mm	

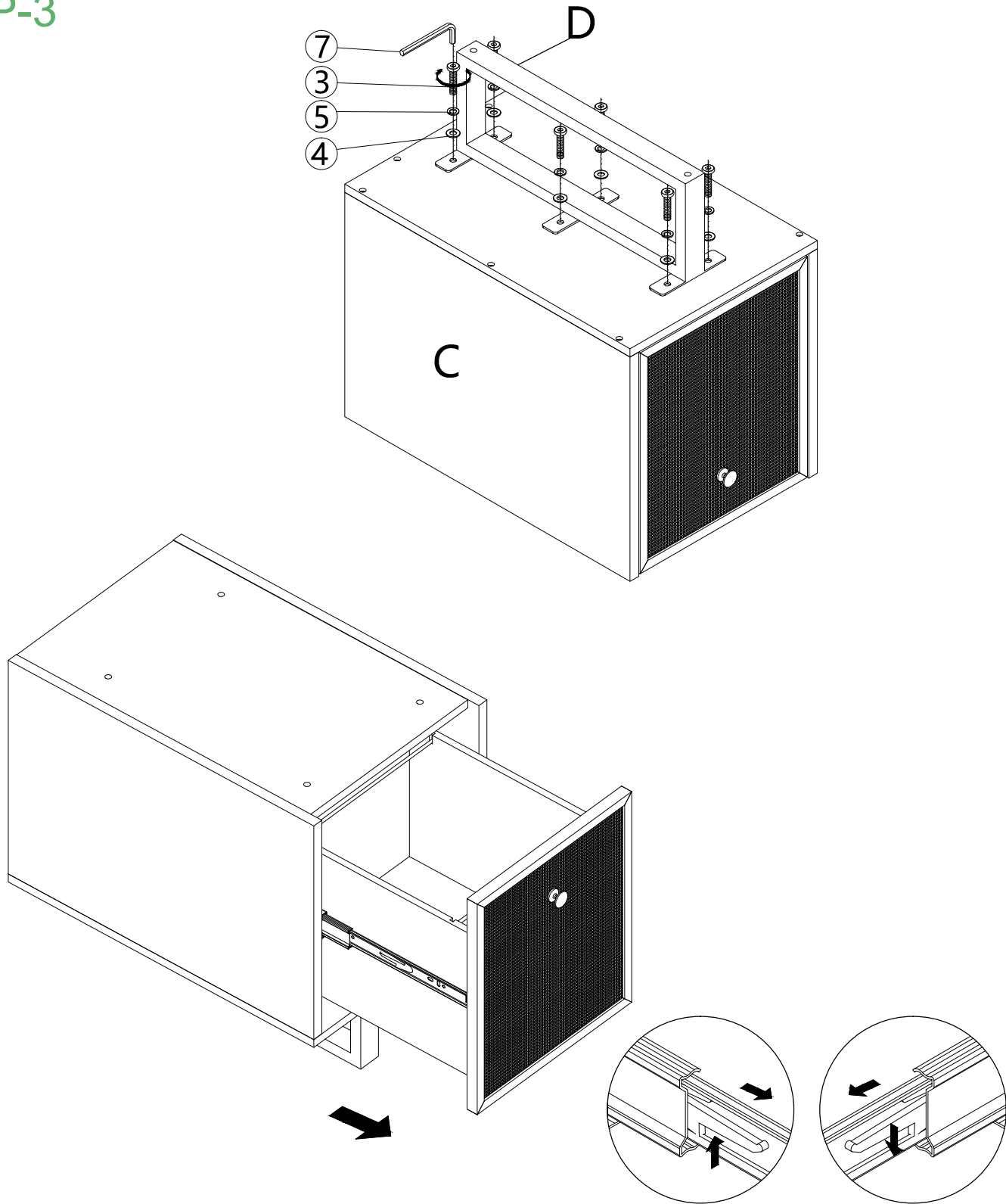
#4	x2
	
Flat Washer	
φ5/16*φ16*1mm	

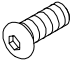
#5	x2
	
Spring washer	
φ5/16*1.5mm	

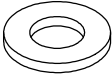
#7	x1
	
Allen Key	


ASSEMBLY INSTRUCTIONS

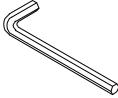
STEP-3



#3	x6
	
Bolts	
φ5/16*19mm	

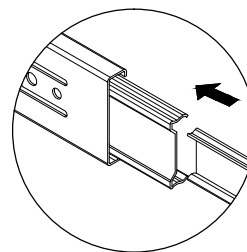
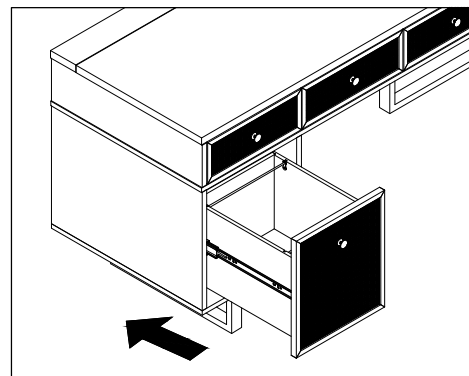
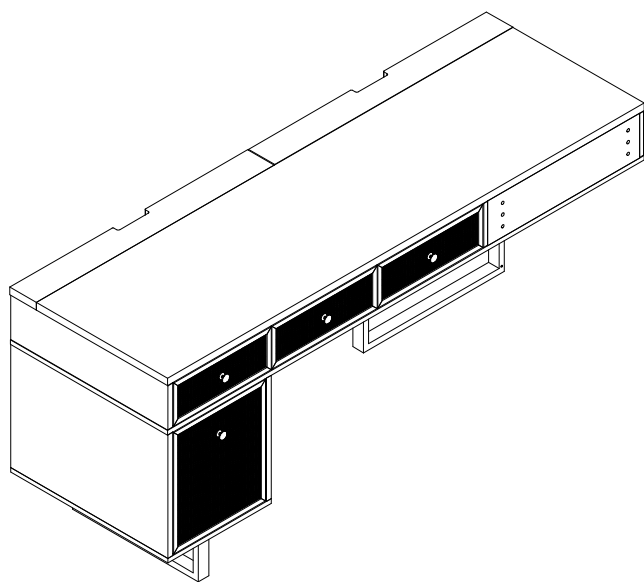
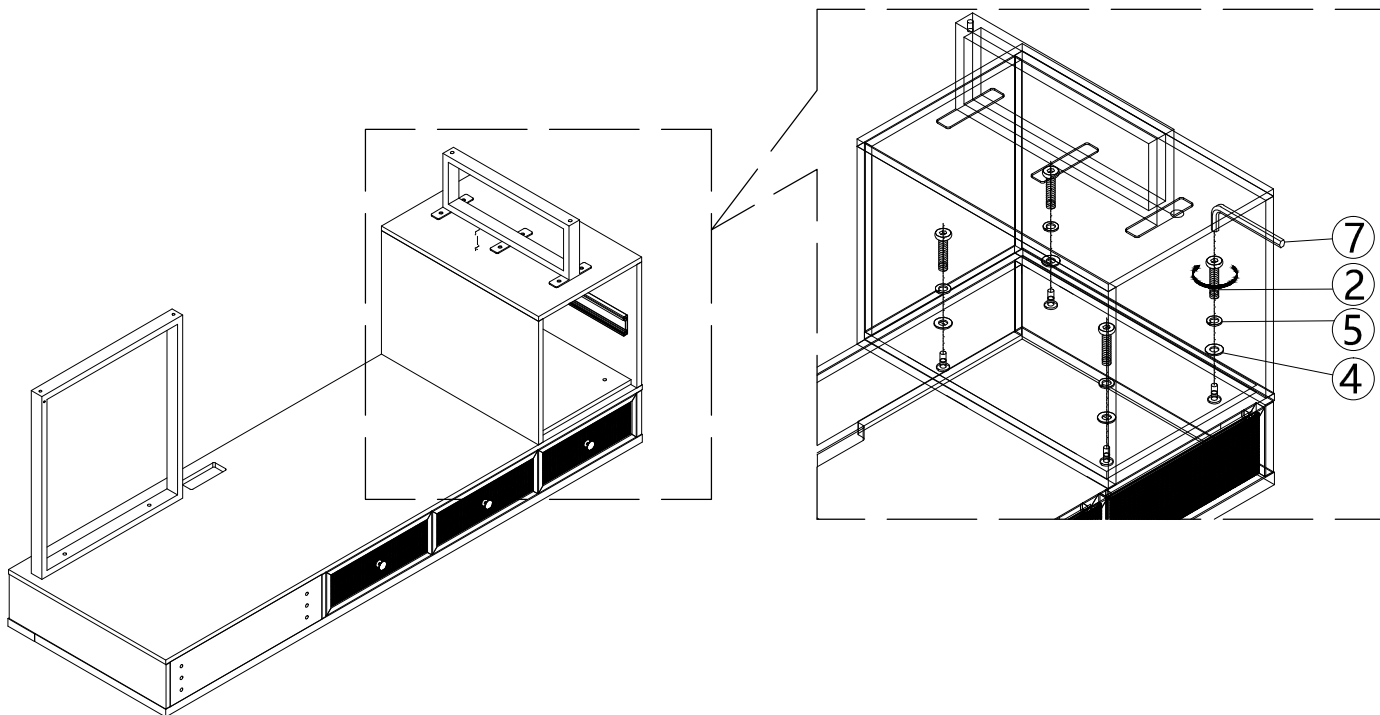
#4	x6
	
Flat Washer	
φ5/16*φ16*1mm	

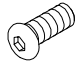
#5	x6
	
Spring washer	
φ5/16*1.5mm	


#7	x1
	
Allen Key	


ASSEMBLY INSTRUCTIONS

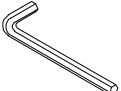
STEP-4



#2	x4
	
Bolts	
φ5/16*32mm	

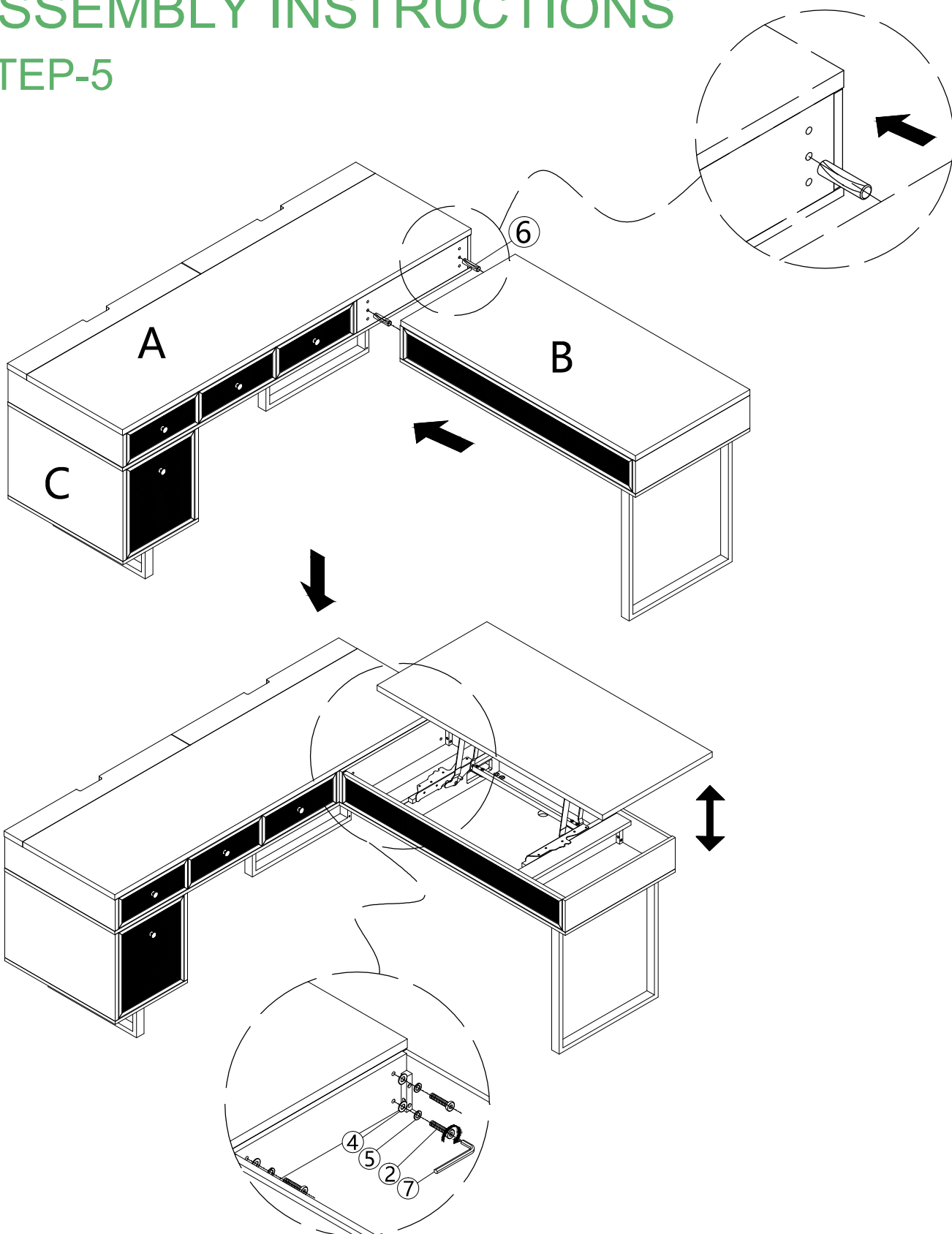
#4	x4
	
Flat Washer	
φ5/16*φ16*1mm	

#5	x4
	
Spring washer	
φ5/16*1.5mm	

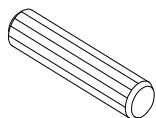
#7	x1
	
Allen Key	

ASSEMBLY INSTRUCTIONS

STEP-5



#6 x2



Wood Dowel

Ø10*20mm

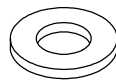
#2 x4



Bolts

Ø5/16*32mm

#4 x4



Flat Washer

Ø5/16*Ø16*1mm

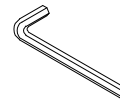
#5 x4



Spring washer

Ø5/16*1.5mm

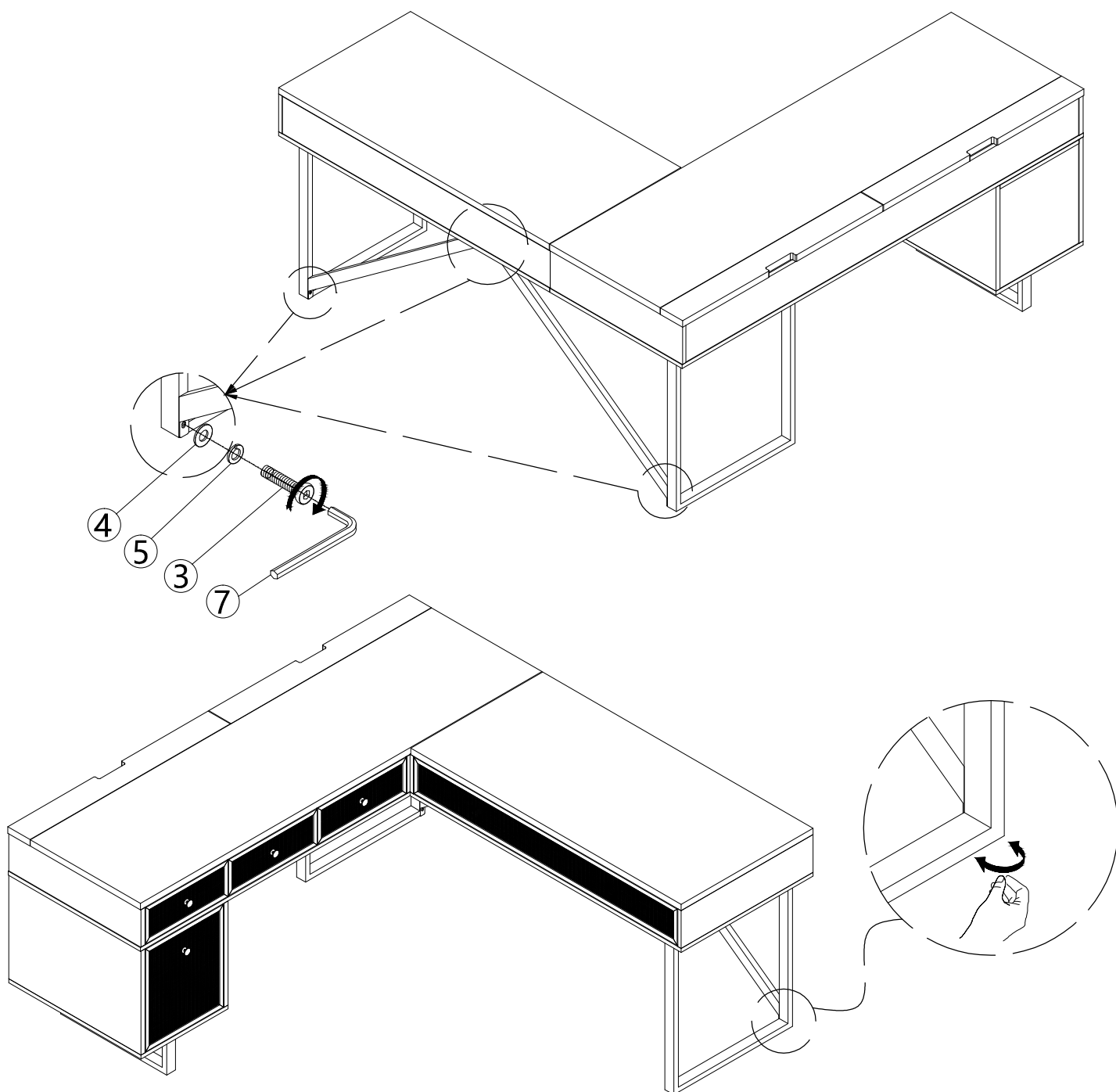
#7 x1

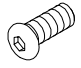



Allen Key


ASSEMBLY INSTRUCTIONS

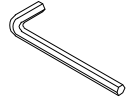
STEP-6



#3	x6
	
Bolts	
φ5/16*19mm	

#4	x6
	
Flat Washer	
φ5/16*φ16*1mm	

#5	x6
	
Spring washer	
φ5/16*1.5mm	

#7	x1
	
Allen Key	

WARRANTY

1. We strive to offer high-quality products, and we also try our best to satisfy each and every customer that orders from us with product or service as needed.
2. We provide 30 days warranty starting from the time you receive the item. Each customer must provide a record of their order such as the order number, or item receipt for any items that are out of the warranty period you may also still receive.
3. Replacement parts by purchasing them with our company if they are available.

Are you having difficulty
With assembly? Missing parts?
Please send email with your order No to
customerservice@hulalahome.com
For return, please check the return policy with
the retailer or market place you bought from.

Appreciate your purchasing from us.
Pop up your life by our furniture piece!