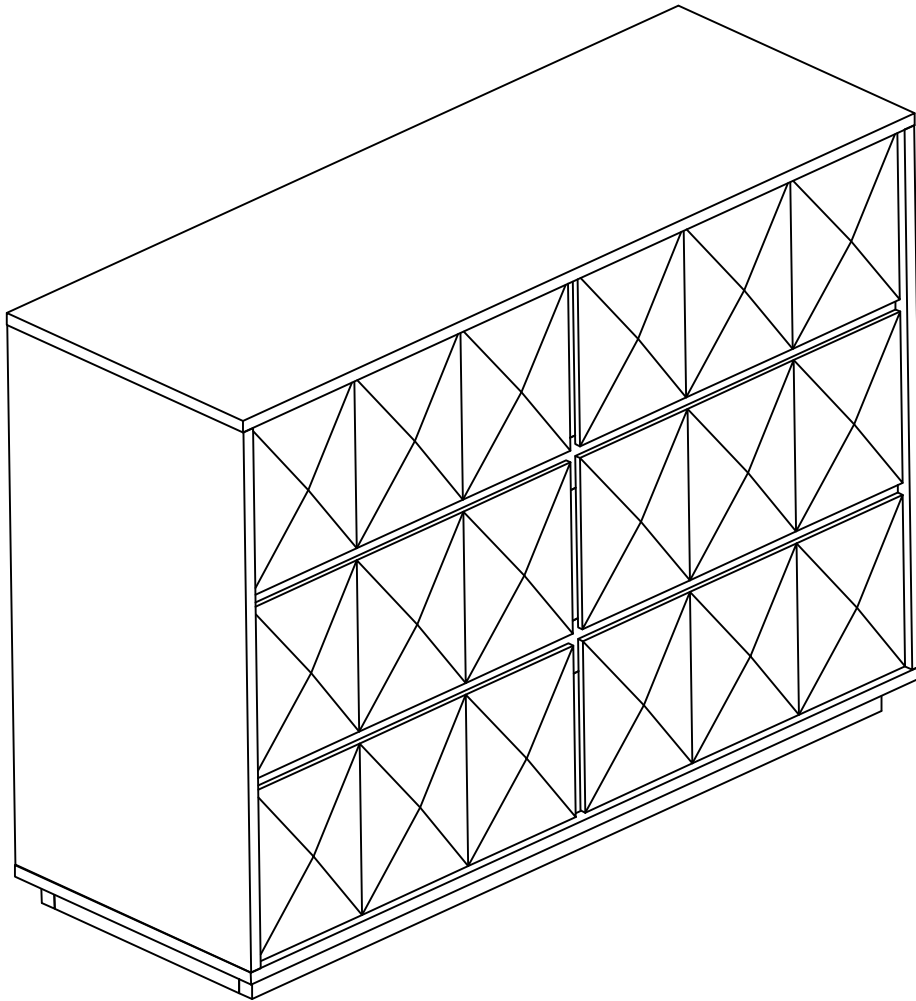


HULALA

H O M E



ITEMNO.DSJE 1071

NOTE:

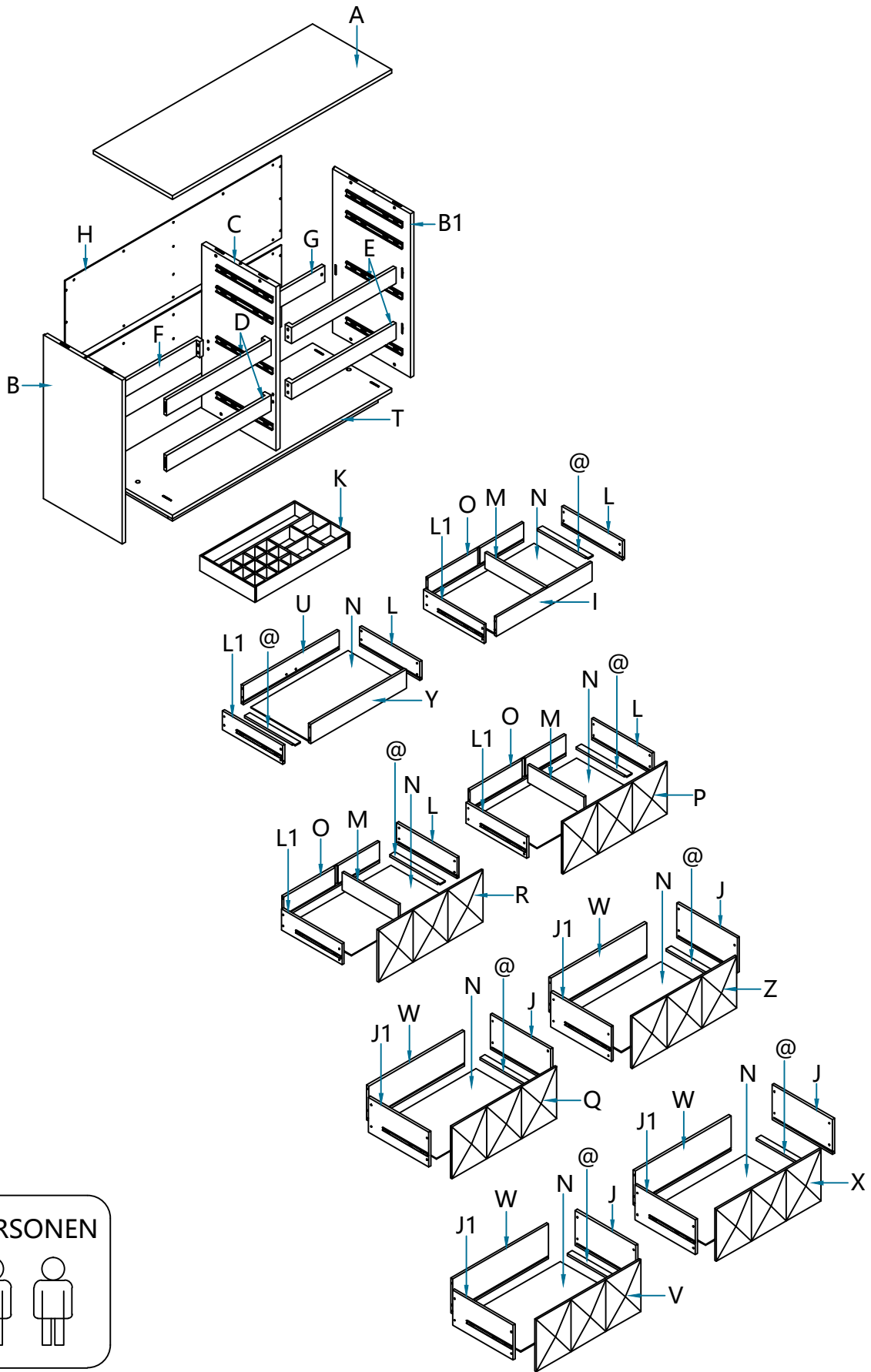
This brochure contains IMPORTANT safty info. Please read and keep for future reference.

MAINTAINANCE AND WARNING

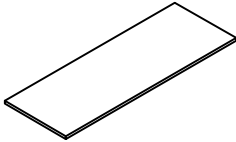
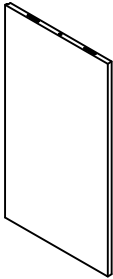
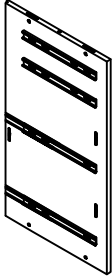
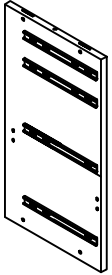
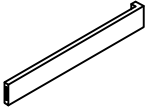
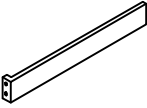
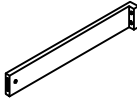
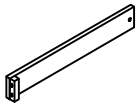
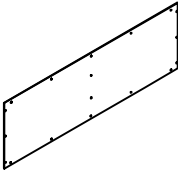
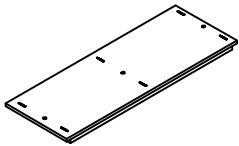
- .Keep furniture away from heat sources.
- .Do not clean furniture with harsh cleaner or polishes.Do not use detergents,solvents,abrasives,spray packs or leather cleaner. Use non-color mild soa with warm water to clean spills(Mix 1:10 soap to water).
- .Do not place furniture under direct sunlight,material will possibly fade over time.
- .Do not use on site dry cleaning machine.Children should not climb or jump on the furniture.
- .Do not write on furniture that is not protectedby a padded barrier.
- .Not for commercial use,only for residential use.



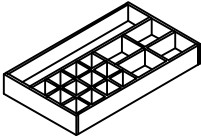
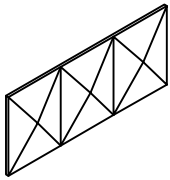
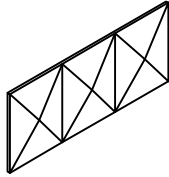
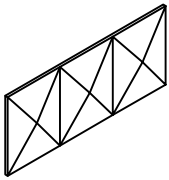
EXPLOSIVE VIEW



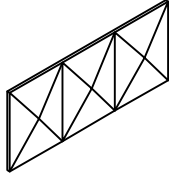
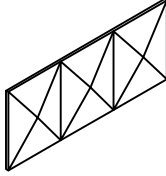
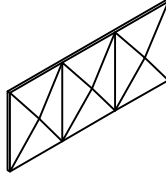
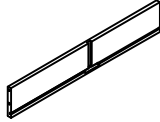
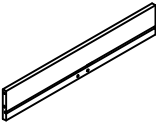
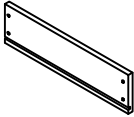
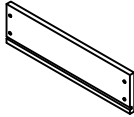
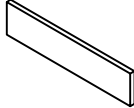
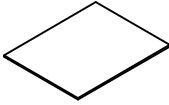
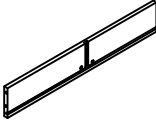
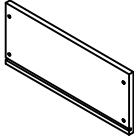
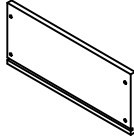
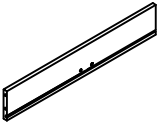
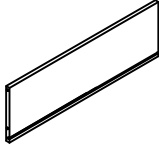
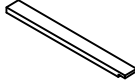
SP-DSJE 1071-B PARTS LIST

A	x1	B	x1	B1	x1	C	x1
							
D	x2	E	x2	F	x1	G	x1
							
H	x2	T	x1				
							

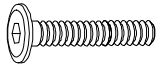

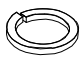

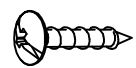
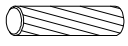
SP-DSJE 1071-A PARTS LIST

K	x1	R	x1	P	x1	Q	x1
							


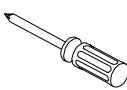
SP-DSJE 1071-A PARTS LIST

Z	x1	V	x1	X	x1	I	x1
							
Y	x1	L	x4	L1	x4	M	x3
							
N	x8	O	x3	J	x4	J1	x4
							
U	x1	W	x4	@	x8		
							

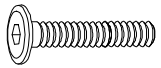

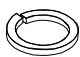
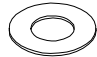
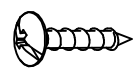

HARDWARE LIST (DSJE 1071-B)

#1	x6	#2	x80	#3	x6	#4	x6	#5	x36	#6	x12
											
φ1/4x1-1/2"		φ5/32X3/4 "		φ1/4		φ1/4		φ3.5x15		φ8x30	

TOOL LIST (DSJE 1071-B)

#7	x1	#8	x1
			
M4		12	

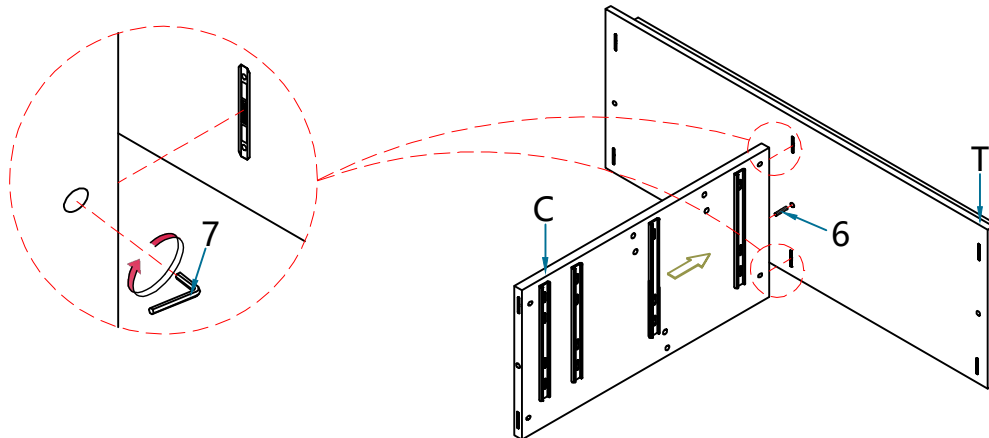
HARDWARE SPARE LIST (DSJE 1071-B)

#1	x1	#2	x4	#3	x1	#4	x1	#5	x4	#6	x2
											
φ1/4x1-1/2"		φ5/32X3/4 "		φ1/4		φ1/4		φ3.5x15		φ8x30	

ASSEMBLY INSTRUCTIONS

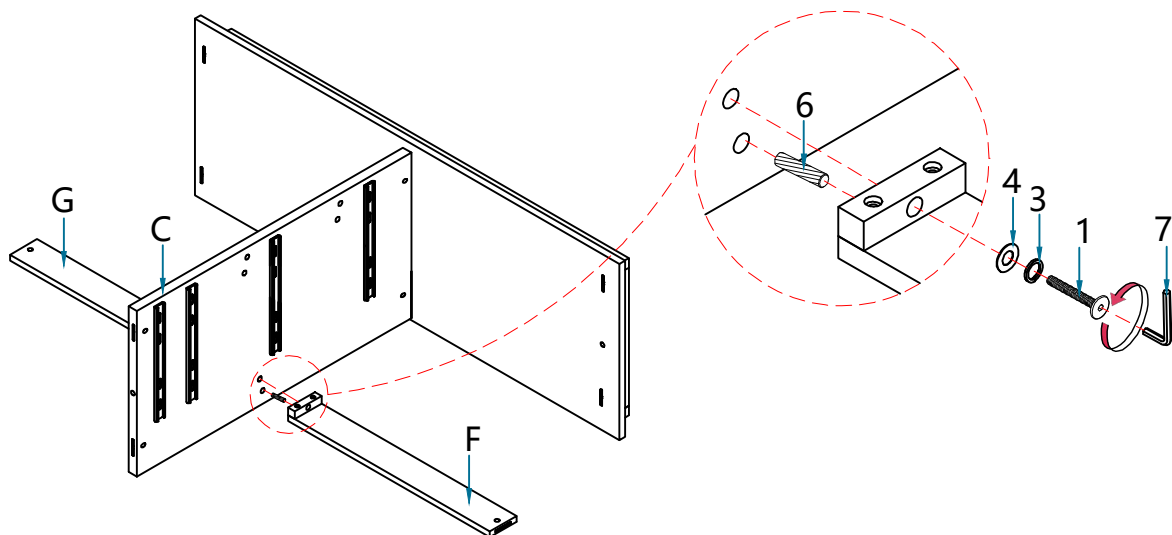
STEP-1

Align divider panel (C) to the bottom panel (T) using wood dowels (6) insert the hexagon into the hold and tighten it.



STEP-2

Crossbar back rails (F,G) to the Lower divider panel (C) using wood dowels (6) then secure by using Bolts (1) with Washers(3,4) .

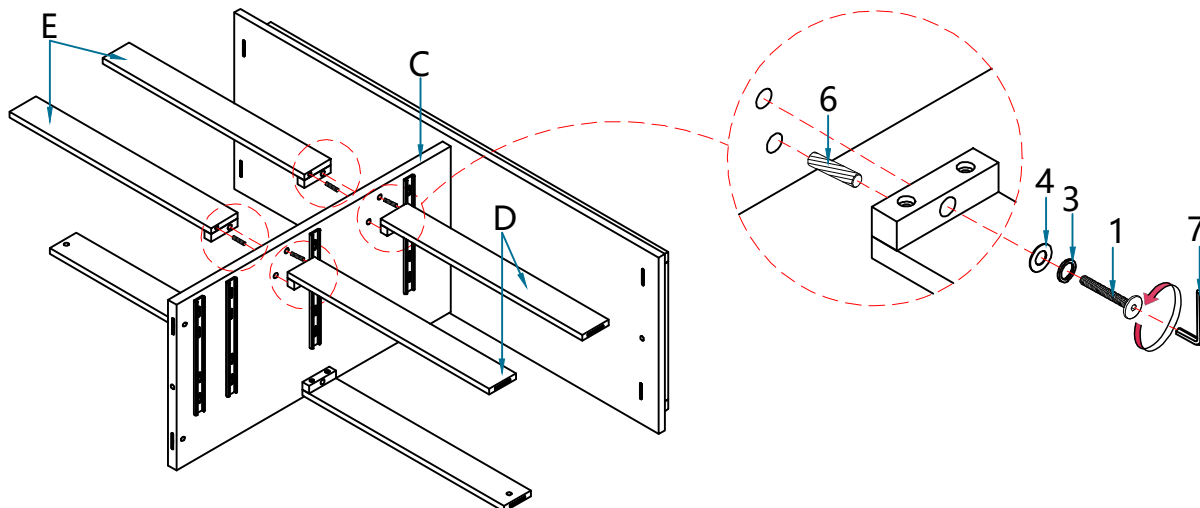


#1	x2	#3	x2	#4	x2	#6	x3
ø1/4x1-1/2"		ø1/4"		ø1/4"		ø8x30	

ASSEMBLY INSTRUCTIONS

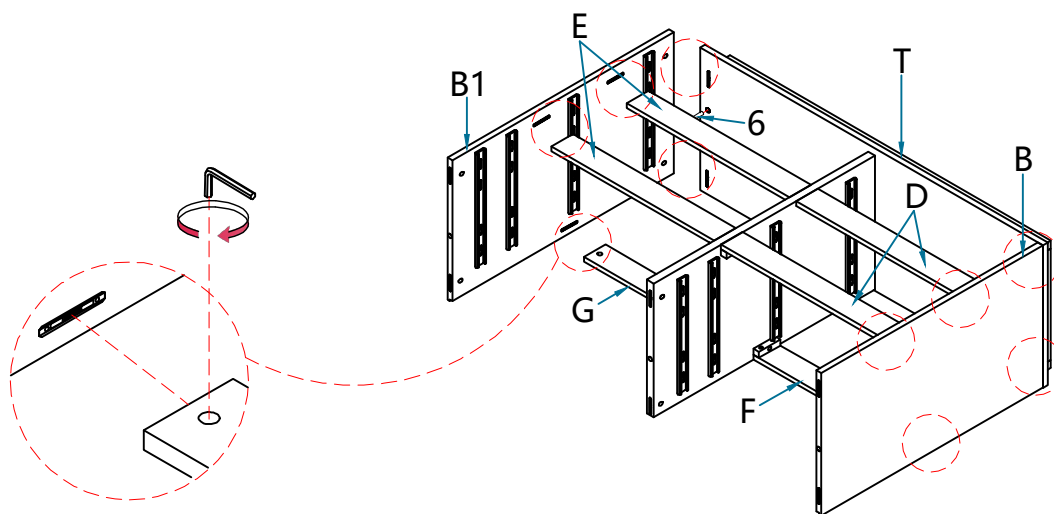
STEP-3

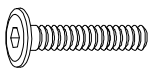
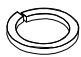


Crossbar front rails (D,E) to the Lower divider panel (C) using wood dowels (6) then secure by using Bolts (1) with Washers(3,4) .



STEP-4

Align left side panel (B) right side panel (B1) back rails (F,G) and front rails (D,E) to the bottom panel (T) insert the hexagon into the hold and tighten it.

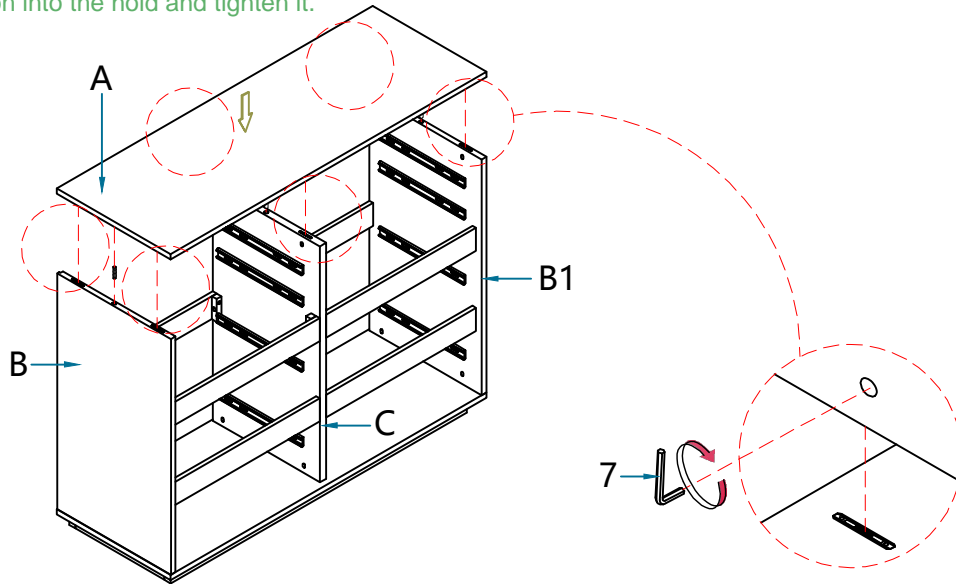


#1	x4	#3	x4	#4	x4	#6	x6
							
Φ1/4x1-1/2"		Φ1/4"		Φ1/4"		Φ8x30	

ASSEMBLY INSTRUCTIONS

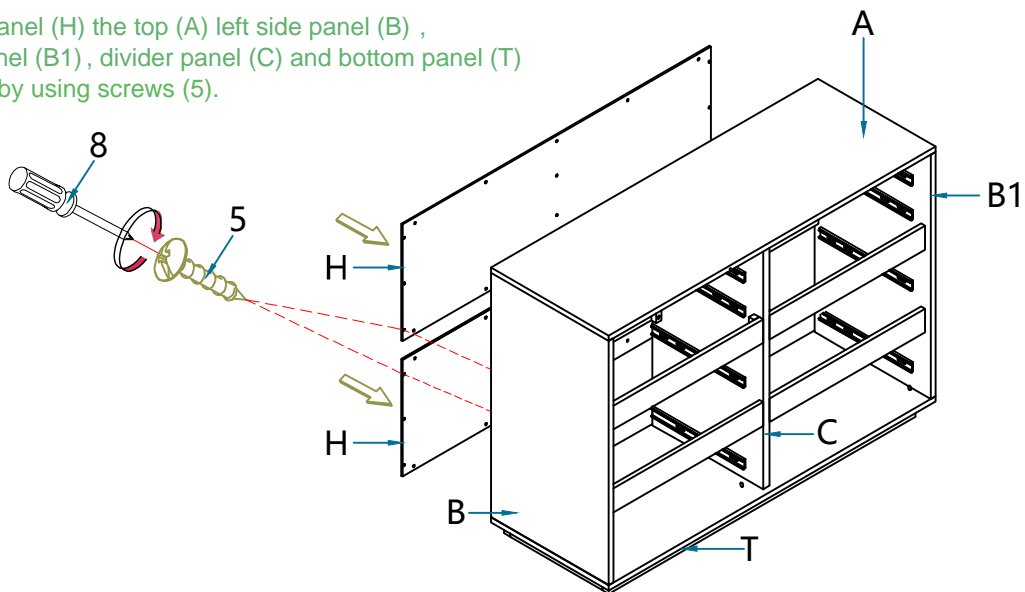
STEP-5

Align the top (A) left side panel (B) right side panel (B1) , divider panel (C) using wood dowels (6).
Insert the hexagon into the hold and tighten it.



STEP-6

Align back panel (H) the top (A) left side panel (B) , right side panel (B1) , divider panel (C) and bottom panel (T) then secure by using screws (5).



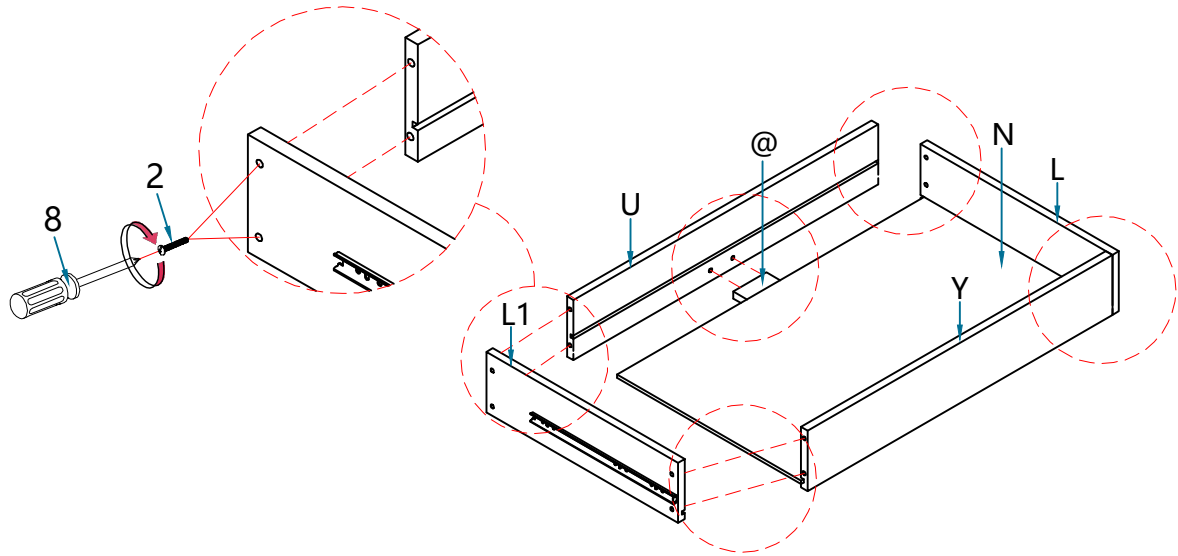
#6	x3
ø8x30	

#5	x36
ø6x15	

ASSEMBLY INSTRUCTIONS

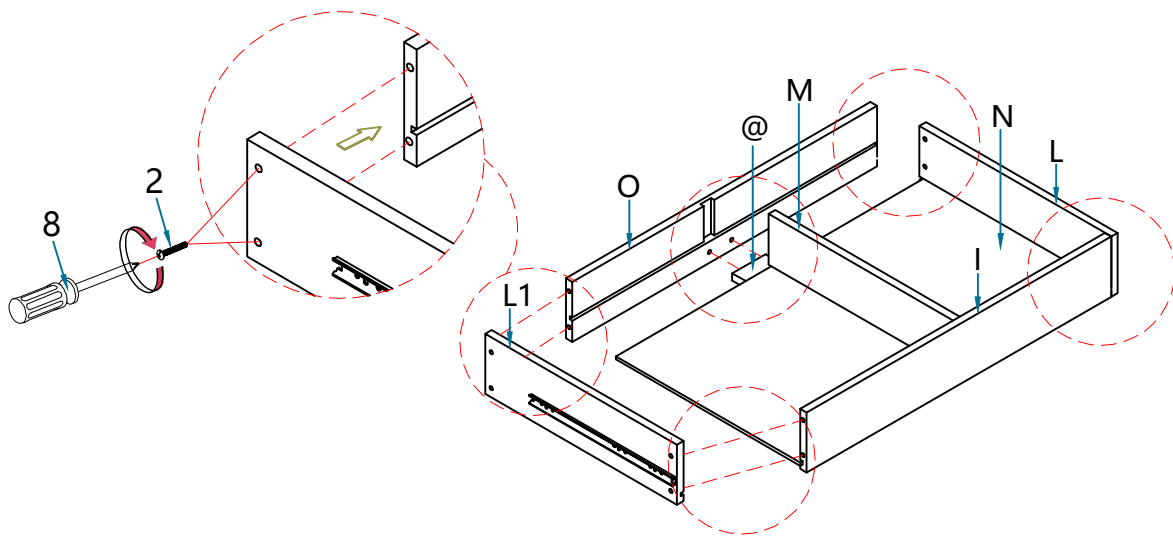
STEP-7


Insert the Drawer bottom panel (N) to Drawer side panel (L,L1), Drawer back panel (U), Drawer crossbar bottom (@), Drawer panel (Y) then secure by using Bolts (2).



STEP-8

Insert the Drawer bottom panel (N) to Drawer side panel (L,L1), Drawer back panel (O), Drawer crossbar bottom (@), Drawer crossbar between (M), Drawer panel (I), then secure by using Bolts (2).



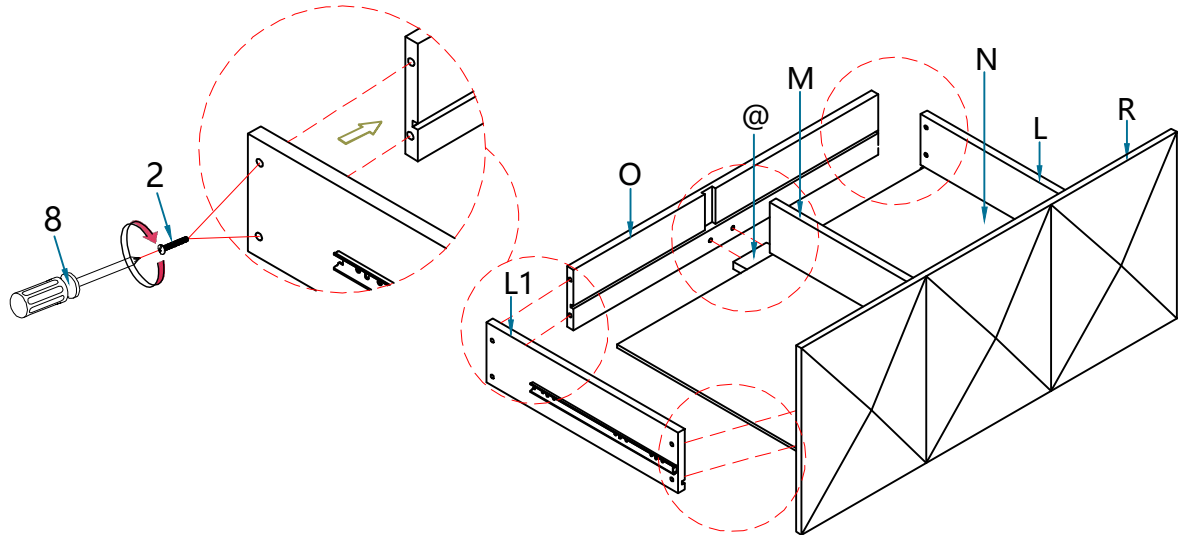
#2	x20
	
ø5/32X3/4"	

10/16

ASSEMBLY INSTRUCTIONS

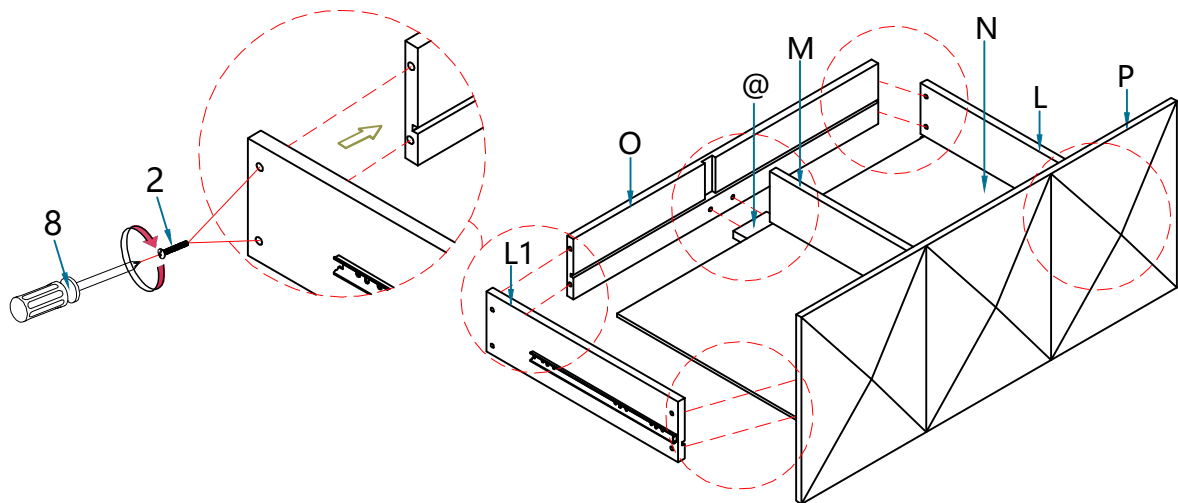
STEP-9


Insert the Drawer bottom panel (N) to Drawer side panel (L,L1), Drawer back panel (O), Drawer crossbar bottom (@), Drawer crossbar between (M), Drawer panel (R), then secure by using Bolts (2).



STEP-10

Insert the Drawer bottom panel (N) to Drawer side panel (L,L1), Drawer back panel (O), Drawer crossbar bottom (@), Drawer crossbar between (M), Drawer panel (P), then secure by using Bolts (2).



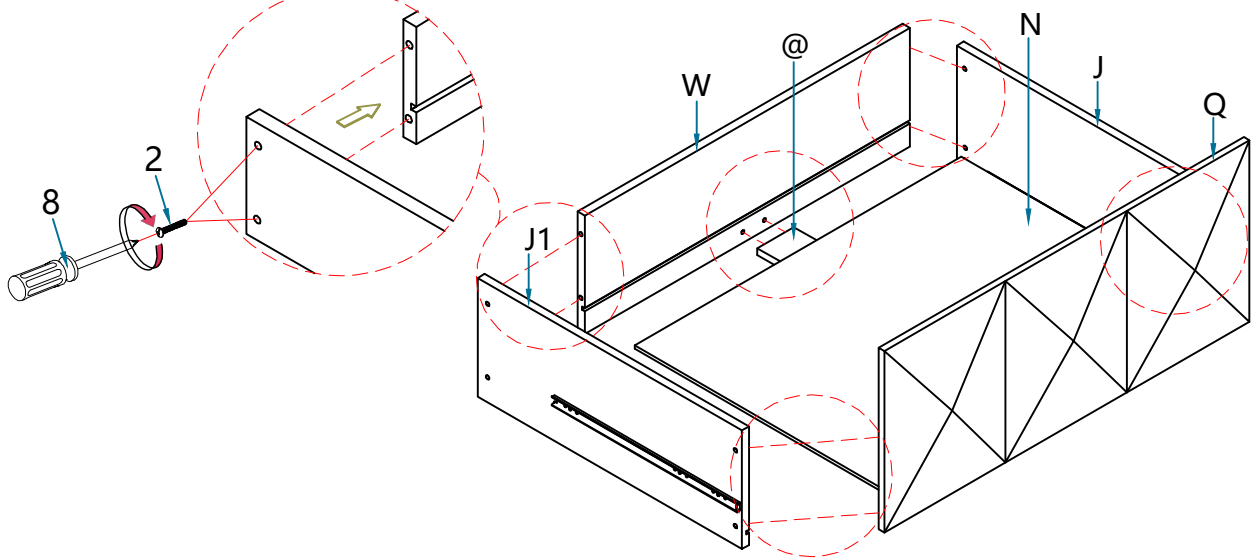
#2	x20
	
ø5/32X3/4"	

11/16

ASSEMBLY INSTRUCTIONS

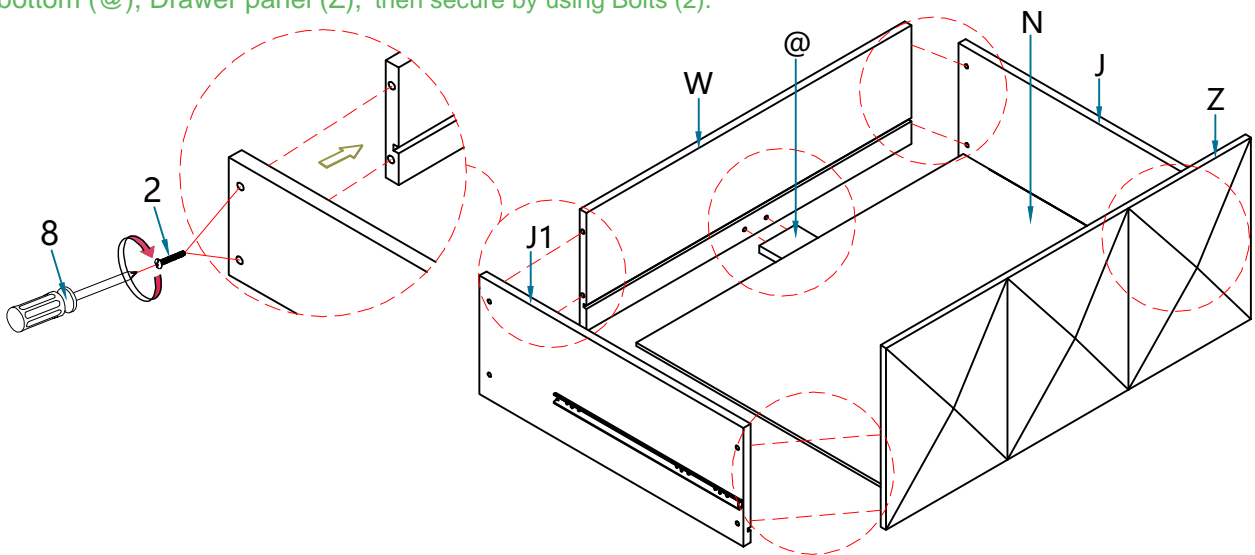
STEP-11


Insert the Drawer bottom panel (N) to Drawer side panel (J,J1), Drawer back panel (W), Drawer crossbar bottom (@), Drawer panel (Q), then secure by using Bolts (2).



STEP-12

Insert the Drawer bottom panel (N) to Drawer side panel (J,J1), Drawer back panel (W), Drawer crossbar bottom (@), Drawer panel (Z), then secure by using Bolts (2).

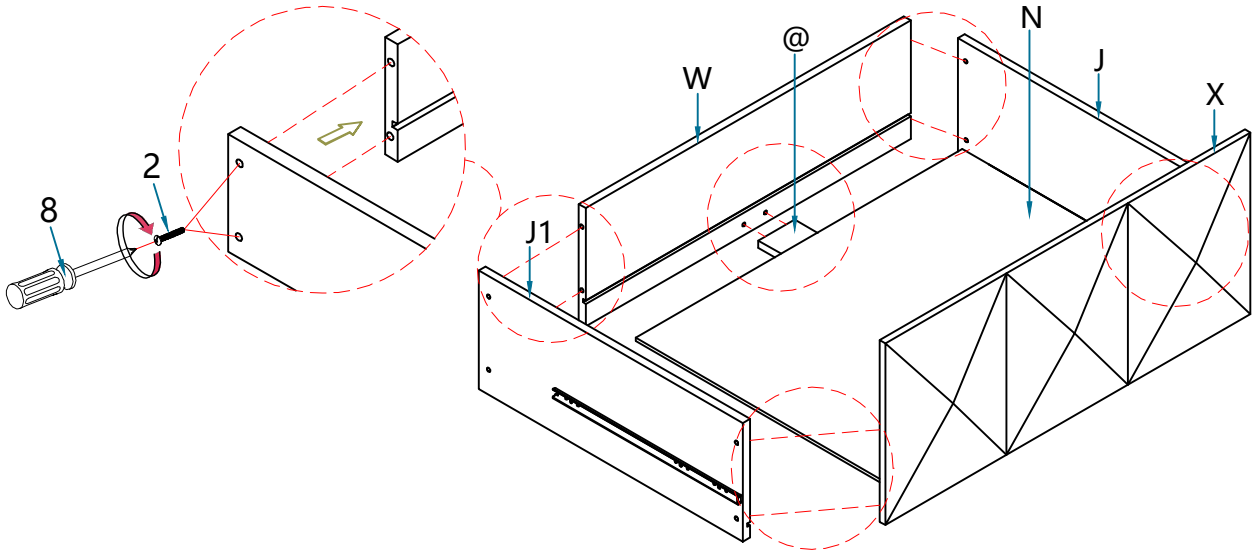


#2	x20
	
ø5/32X3/4"	

ASSEMBLY INSTRUCTIONS

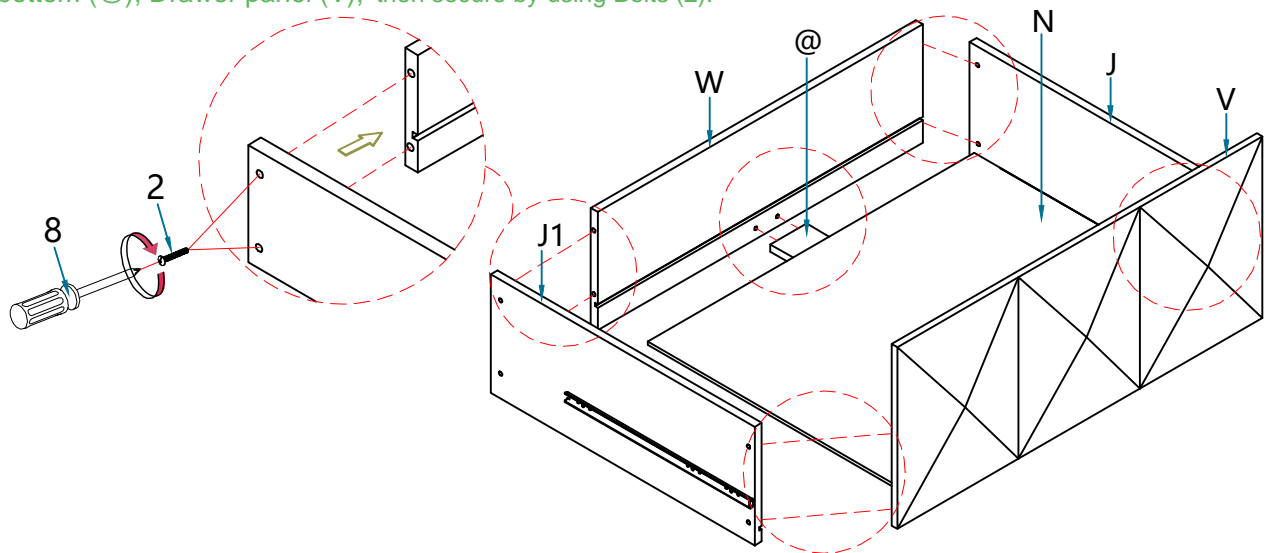
STEP-13


Insert the Drawer bottom panel (N) to Drawer side panel (J,J1), Drawer back panel (W), Drawer crossbar bottom (@), Drawer panel (X), then secure by using Bolts (2).



STEP-14

Insert the Drawer bottom panel (N) to Drawer side panel (J,J1), Drawer back panel (W), Drawer crossbar bottom (@), Drawer panel (V), then secure by using Bolts (2).



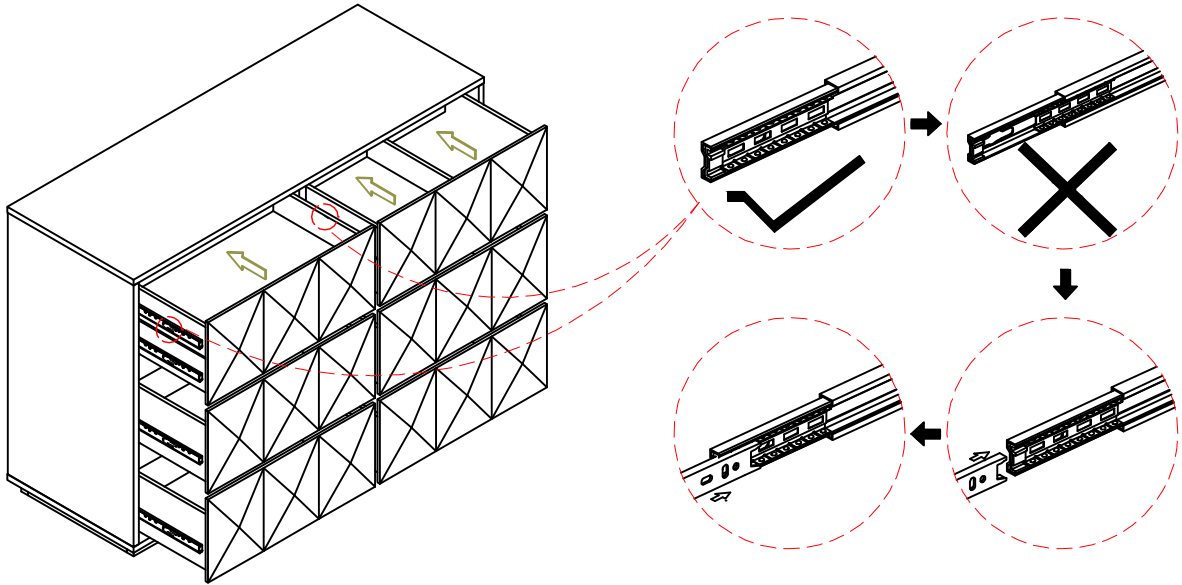
#2	x20
	
ø5/32X3/4"	

13/16

ASSEMBLY INSTRUCTIONS

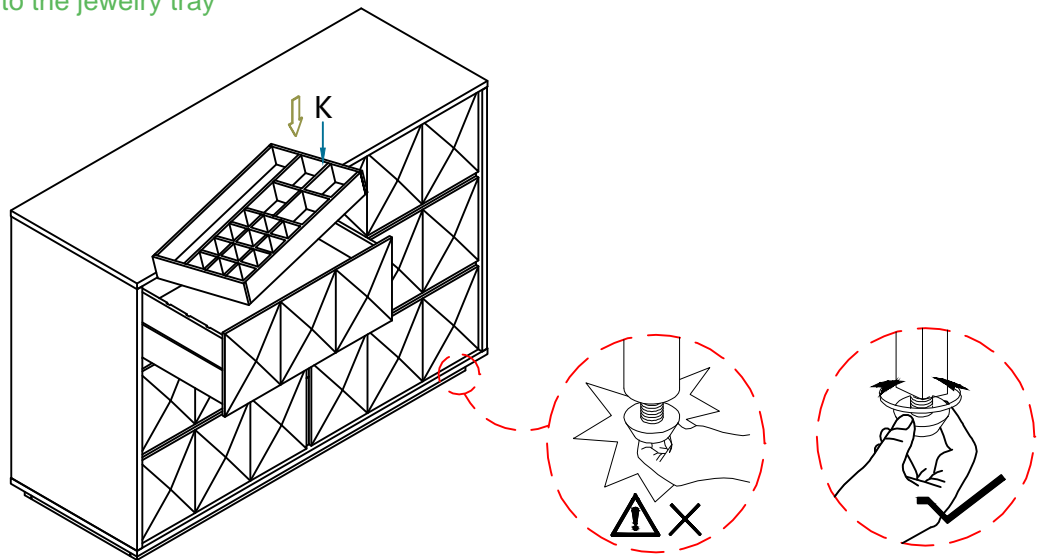
STEP-15

Install the Drawers to the Cabinet base



STEP-16

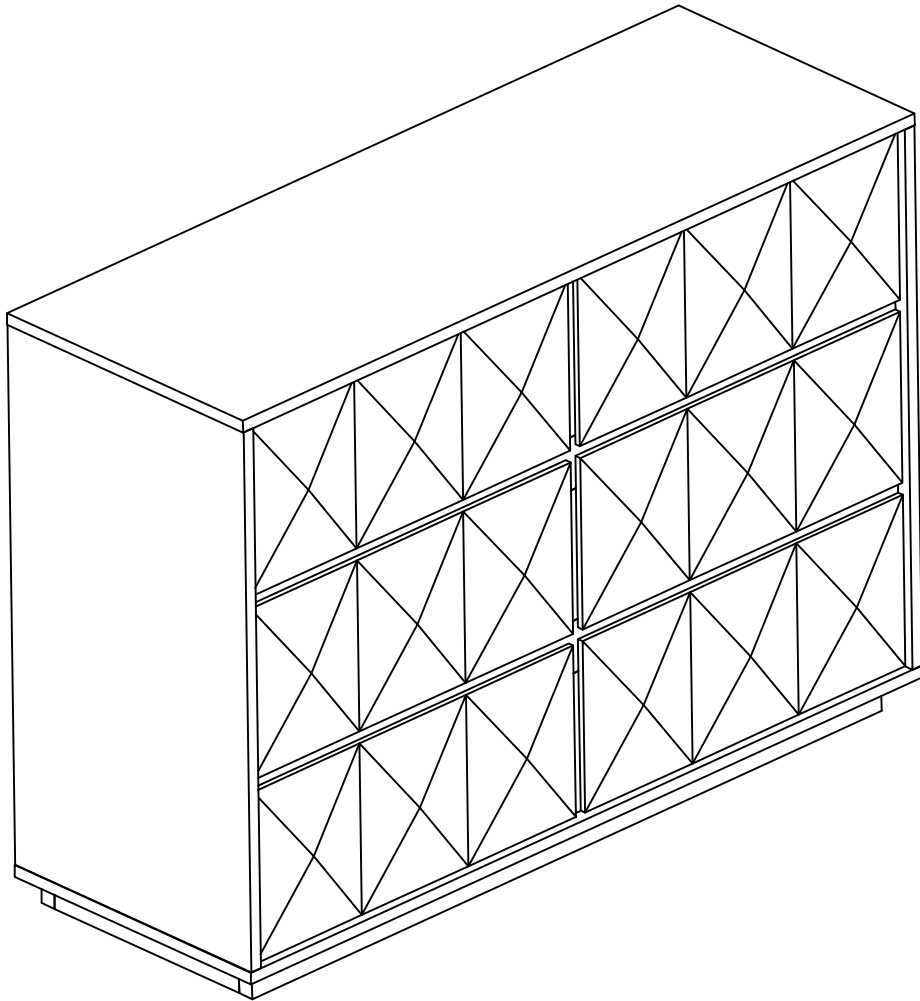
Install the Drawers to the jewelry tray



ASSEMBLY INSTRUCTIONS

STEP-17

Complete.



WARRANTY

1. We strive to offer high-quality products, and we also try our best to satisfy each and every customer that orders from us with product or service as needed.
2. We provide 30 days warranty starting from the time you receive the item. Each customer must provide a record of their order such as the order number, or item receipt for any items that are out of the warranty period you may also still receive.
3. Replacement parts by purchasing them with our company if they are available.

customerservice@hulalahome.com

Are you having difficulty
With assembly? Missing parts?
Please send email with your order No to
customerservice@hulalahome.com
For return, please check the return policy with
the retailer or market place you bought from.

Appreciate your purchasing from us.
Pop up your life by our furniture piece!