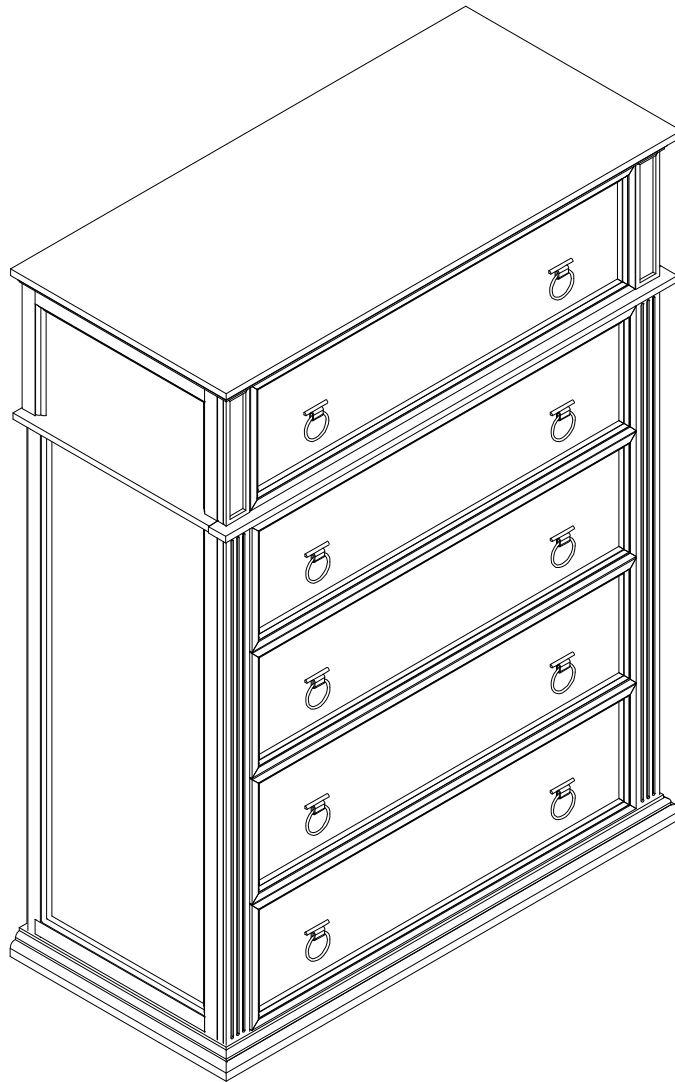


HULALA

H O M E



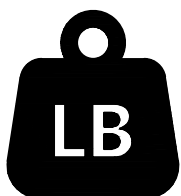
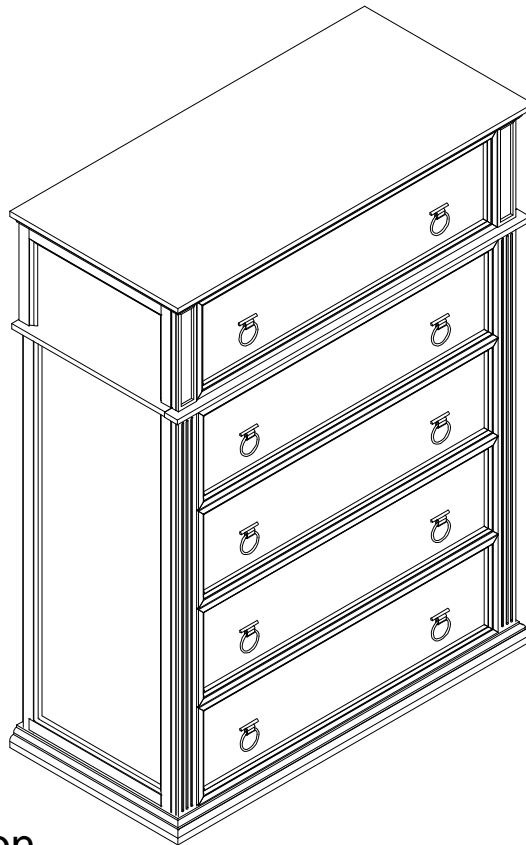
ITEMNO.DSJE 1092

NOTE:

This brochure contains IMPORTANT safety info. Please read and keep for future reference.

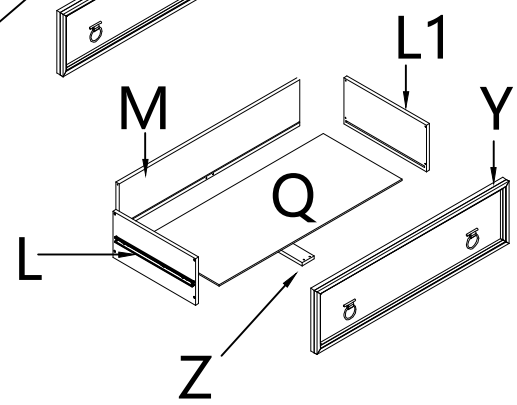
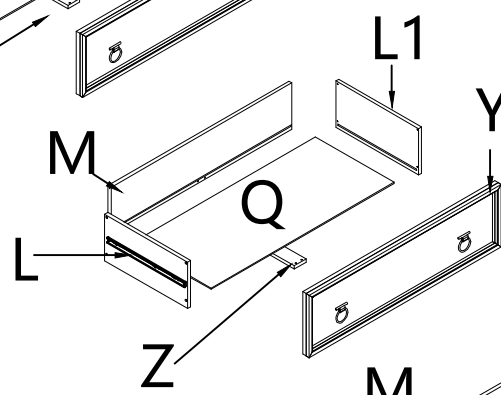
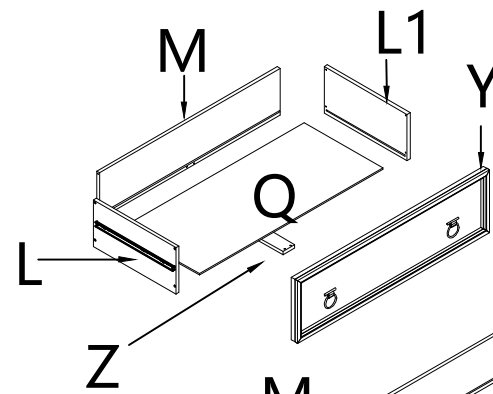
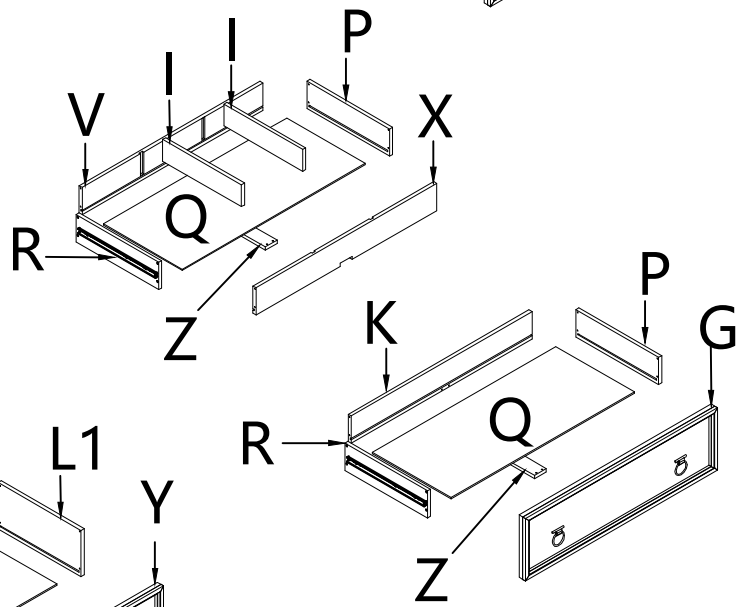
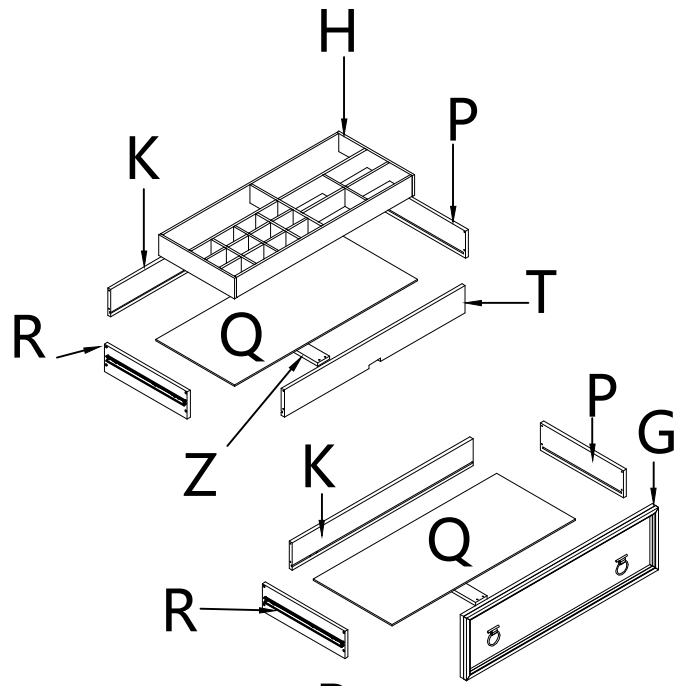
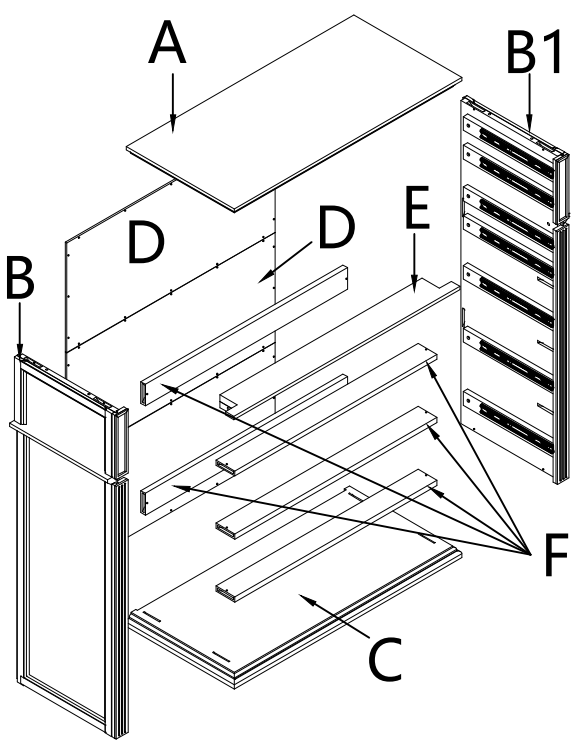
MAINTENANCE AND WARNING

- .Keep furniture away from heat sources.
- .Do not clean furniture with harsh cleaner or polishes.Do not use detergents,solvents,abrasives,spray packs or leather cleaner. Use non-color mild soa with warm water to clean spills(Mix 1:10 soap to water).
- .Do not place furniture under direct sunlight,material will possibly fade over time.
- .Do not use on site dry cleaning machine.Children should not climb or jump on the furniture.
- .Do not write on furniture that is not protected by a padded barrier.
- .Not for commercial use,only for residential use.

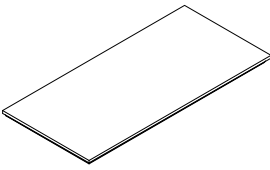
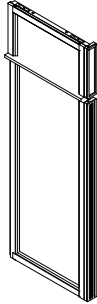
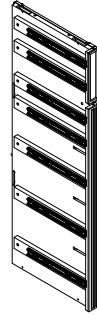
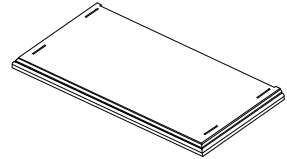
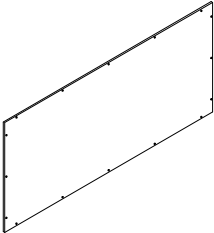
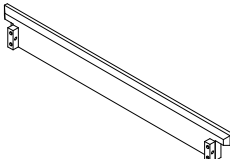
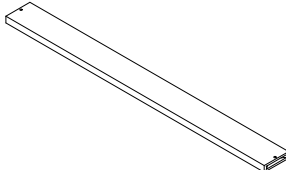


Weight Limitation
100 LBS

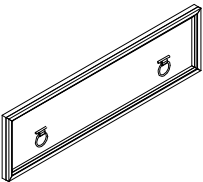
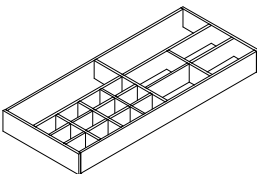
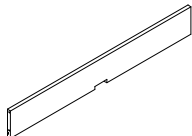
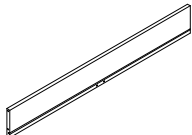
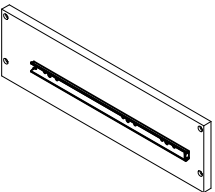
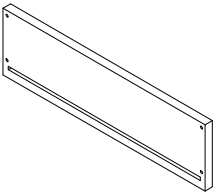
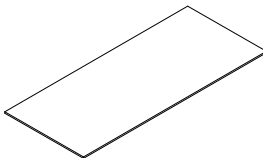
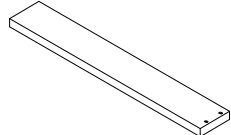
EXPLOSIVE VIEW



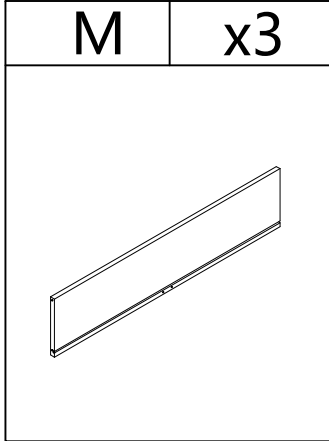
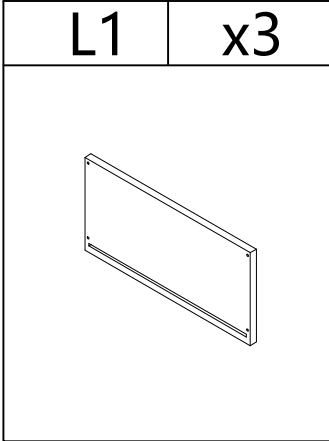
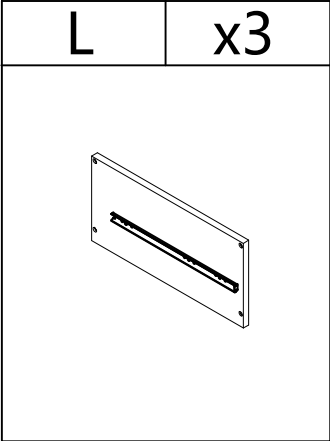
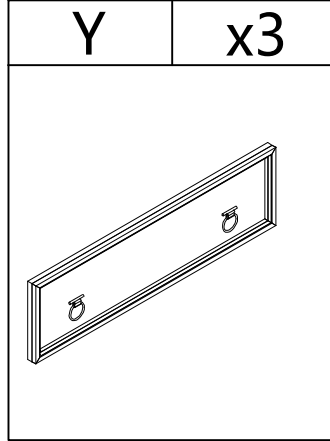
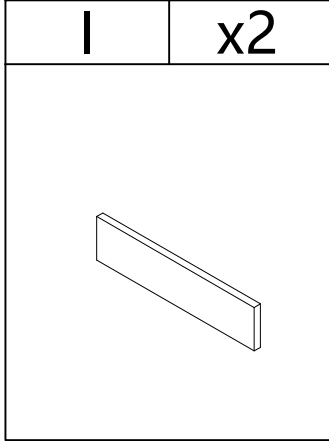
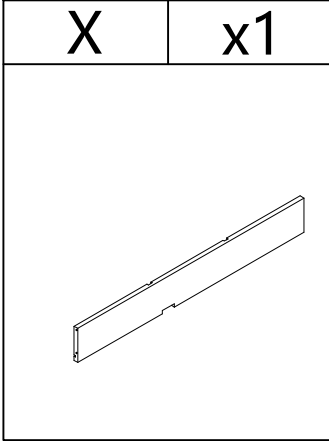
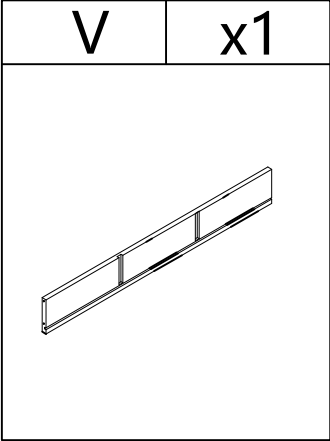
DSJE1092-B PARTS LIST

A	x1	B	x1	B1	x1	C	x1
							
D	x3	E	x1	F	x5		
							

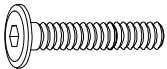


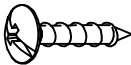

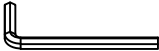
DSJE1092-A PARTS LIST

G	x2	H	x1	T	x1	K	x3
							
R	x4	P	x4	Q	x7	Z	x7
							

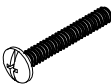
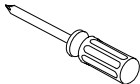
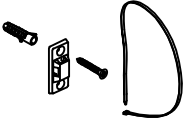
DSJE1092-A PARTS LIST



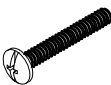
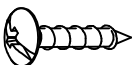

HARDWARE LIST (DSJE 1092-B)


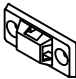

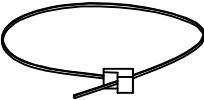
#1	x2	#2	x2	#3	x2	#4	x48	#5	x8	#6	x1
											
φ1/4x1-1/2"		φ1/4		φ1/4		φ6x15		φ8x30		M4	

TOOL LIST (DSJE 1092-B)

#7	x84	#8	x1	#9	x2
					
φ5/32X3/4 "		12			

HARDWARE SPARE LIST (DSJE 1092-B)

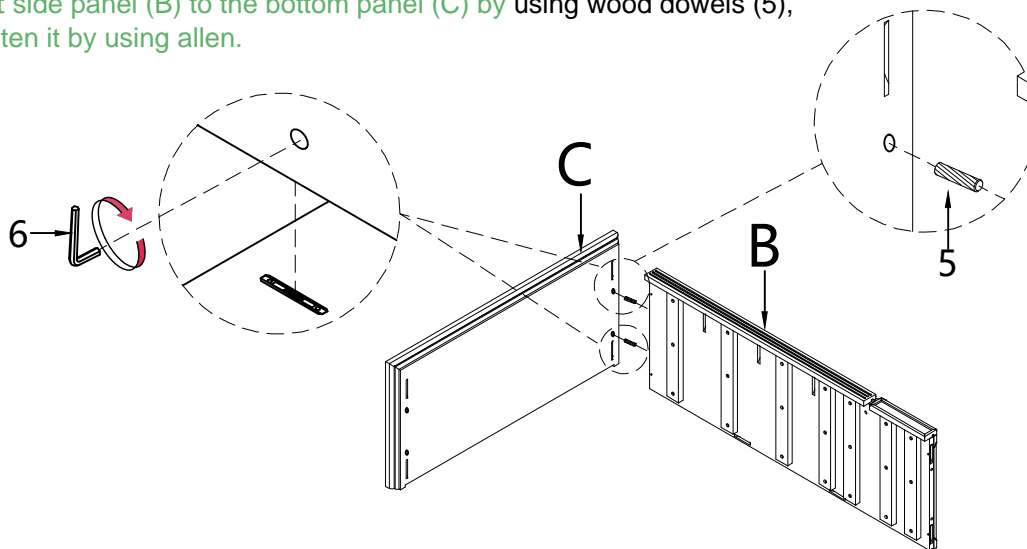
#7	x7	#4	x4	#5	x2
					
φ5/32X3/4 "		φ6x15		φ8x30	

#15	x4	#16	x4	#17	x4	#18	x2
							
Ø4*35							

ASSEMBLY INSTRUCTIONS

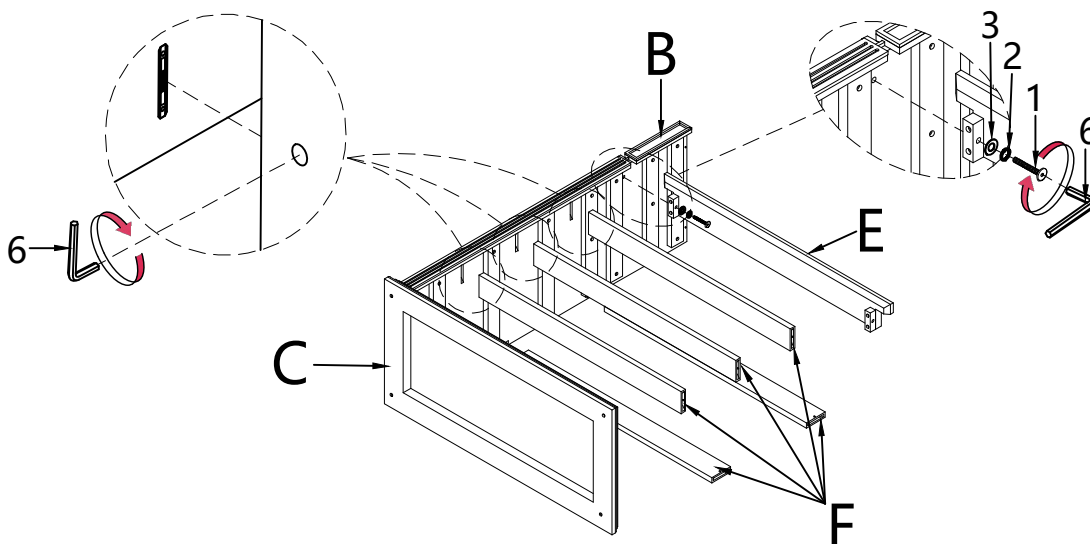
STEP-1

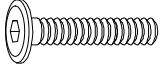


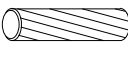
Align left side panel (B) to the bottom panel (C) by using wood dowels (5), then tighten it by using allen.



STEP-2

Align the upper crossbar (E) and left side panel (B), then tighten it by using bolt (1) and washers (2,3)
Align the crossbar (F) and left side panel (B), then tighten it by using allen.

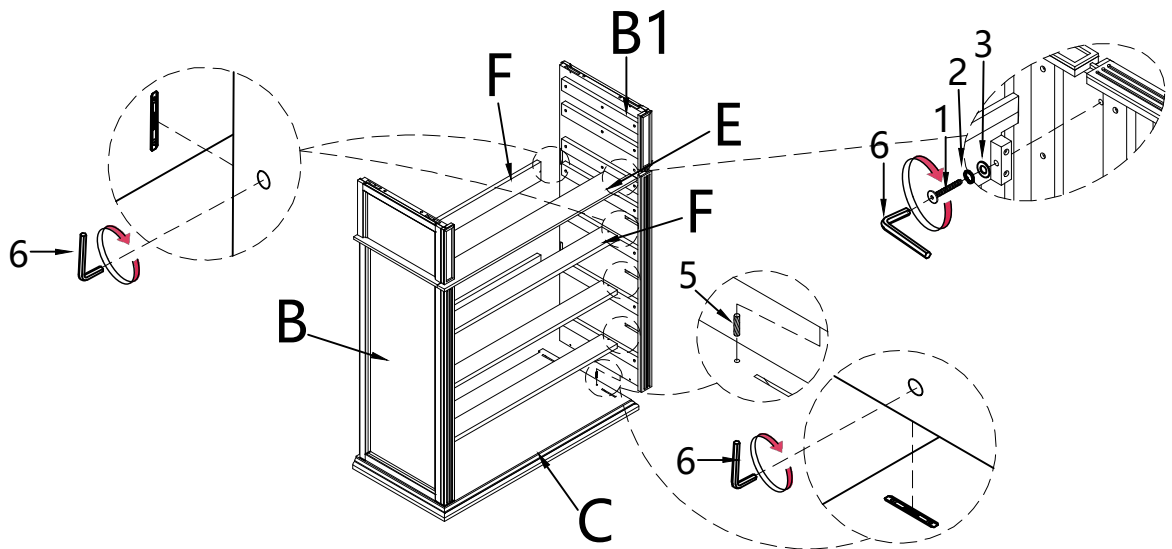


#1	x1	#2	x1	#3	x1	#5	x2
							
φ1/4x1-1/2"		φ1/4"		φ1/4"		φ8x30	

ASSEMBLY INSTRUCTIONS

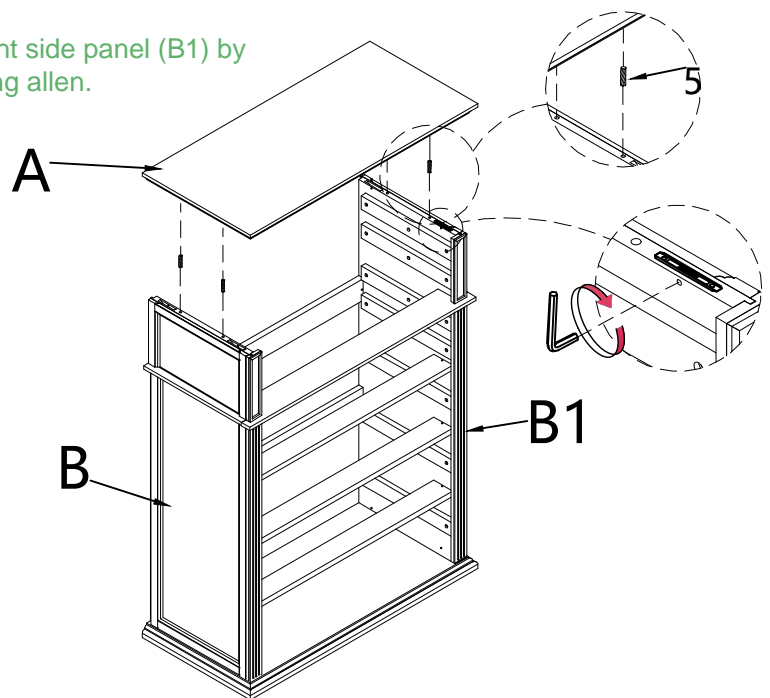
STEP-3

Align left side panel (B) right side panel (B1) back side panel (F) crossbar (E,F) and bottom panel (C), then tighten them by using allen.



STEP-4

Align the top panel (A) left side panel (B) and right side panel (B1) by using wood dowels (5), then tighten them by using allen.

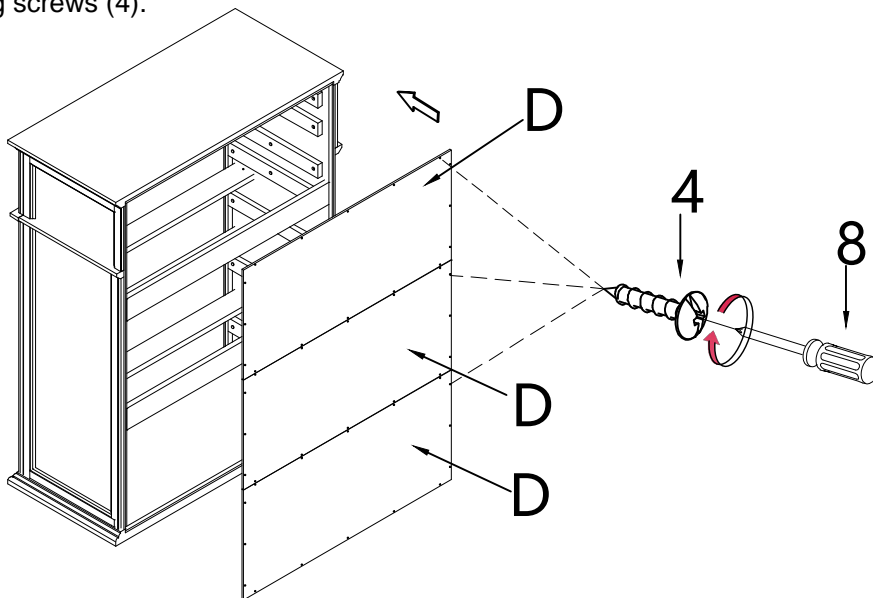


#1	x1	#2	x1	#3	x1	#5	x6
φ1/4x1-1/2"		φ1/4"		φ1/4"		φ8x30	

ASSEMBLY INSTRUCTIONS

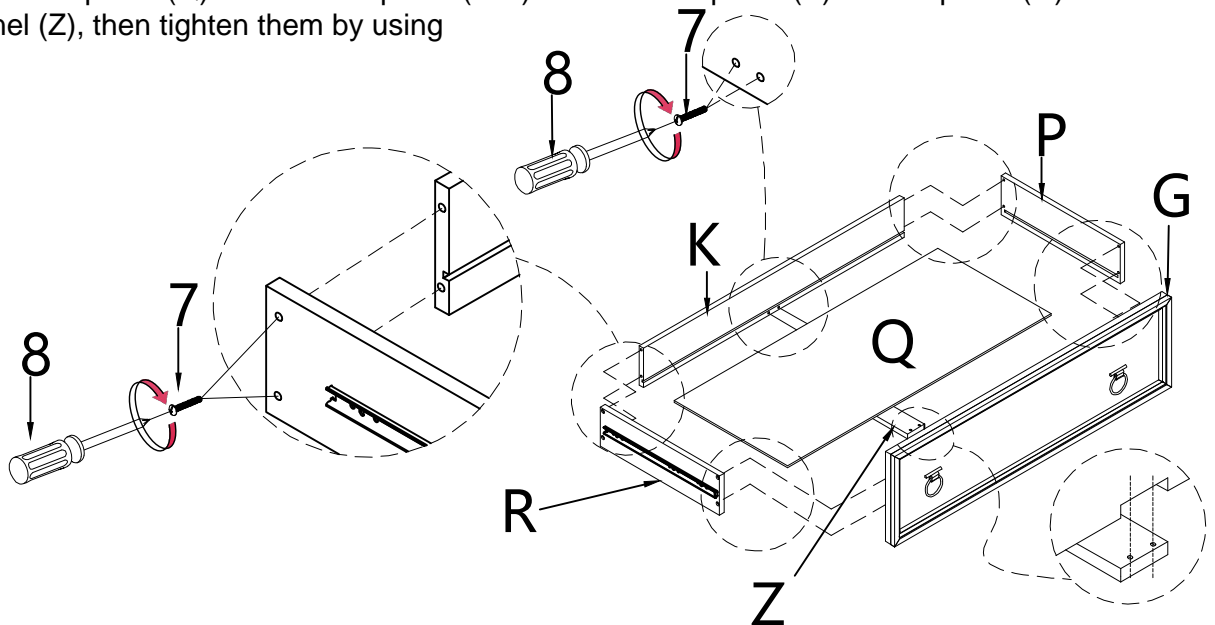
STEP-5

Align back panel (D) top (A) left side panel (B)
right side panel (B1) crossbar (F) and bottom panel (C)
then secure by using screws (4).



STEP-6

Align bottom drawer panel (Q) drawer side panel (R P) back drawer panel (K) drawer panel (G) and reinforcing panel (Z), then tighten them by using bolt (7)



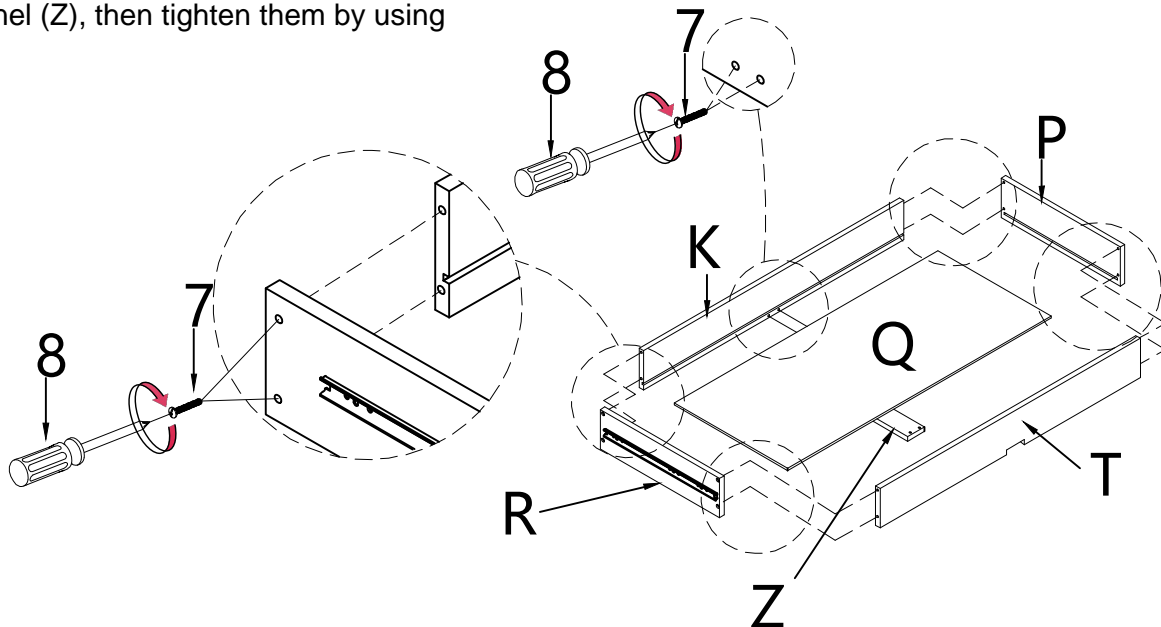
#7	x12
ø5/32X3/4 "	

#4	x48
ø6x15	

ASSEMBLY INSTRUCTIONS

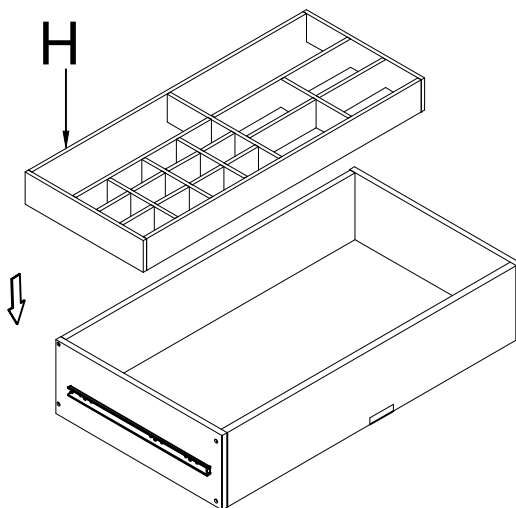
STEP-7


Align bottom drawer panel (Q) drawer side panel (R P) back drawer panel (K) front drawer panel (T) and reinforcing panel (Z), then tighten them by using bolt (7)



STEP-8

Put the jewellery box into the drawer.



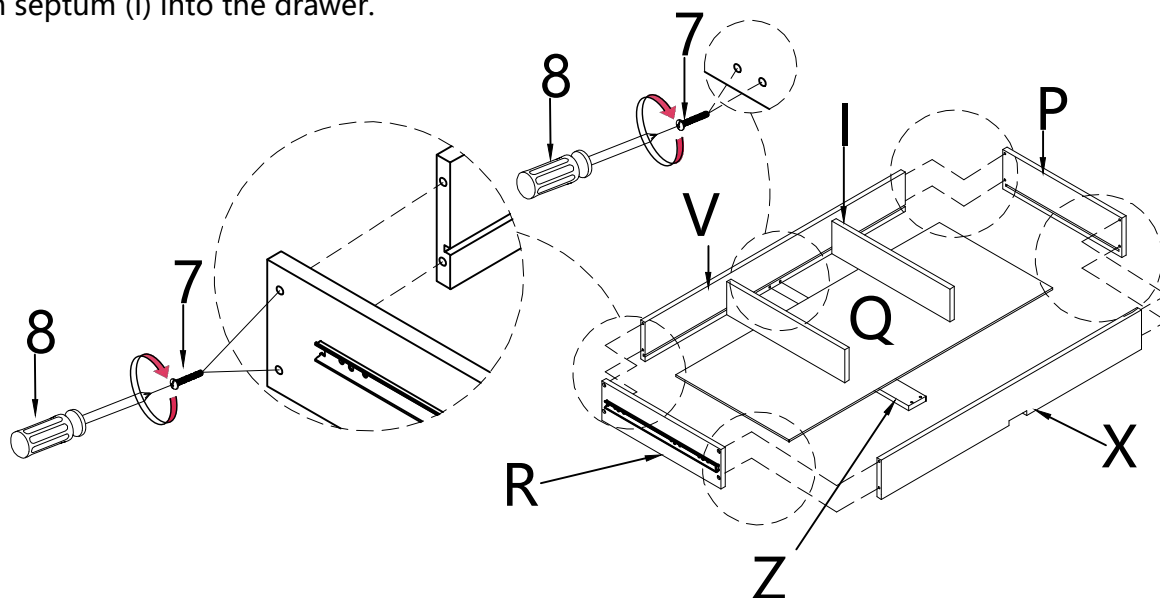
#7	x12
	
ø5/32X3/4 "	

ASSEMBLY INSTRUCTIONS

STEP-9

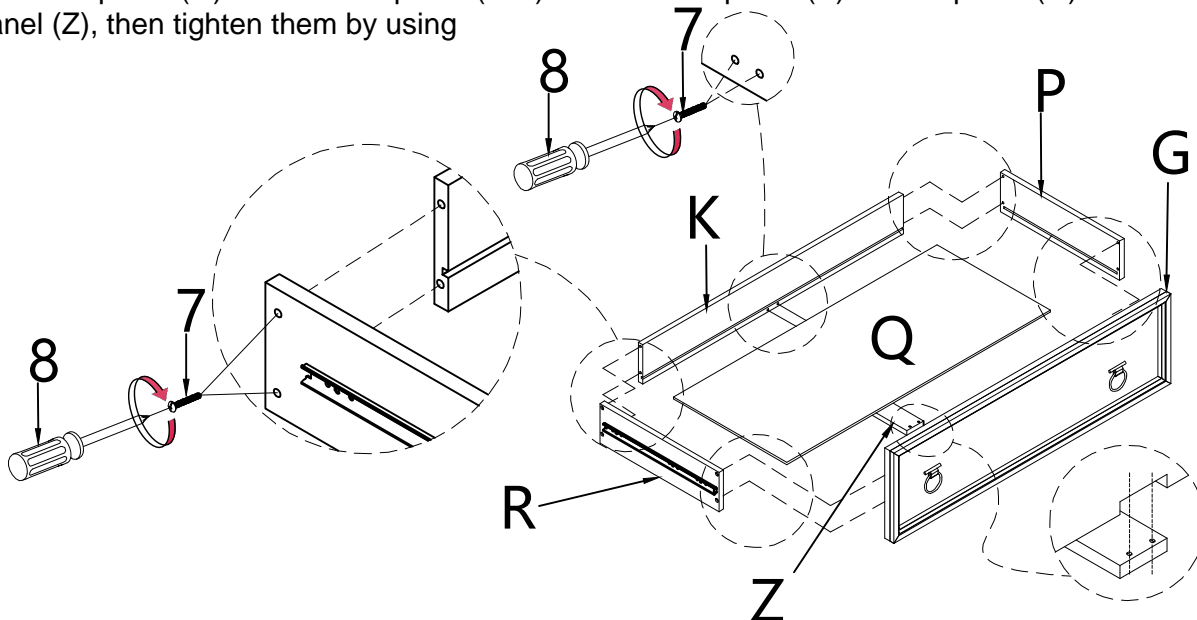
Align bottom drawer panel (Q) drawer side panel (R P) back drawer panel (V) front drawer panel (X) and reinforcing panel (Z), then tighten them by using bolt (7).


Put the medium septum (I) into the drawer.



STEP-10

Align bottom drawer panel (Q) drawer side panel (R P) back drawer panel (K) drawer panel (G) and reinforcing panel (Z), then tighten them by using bolt (7)

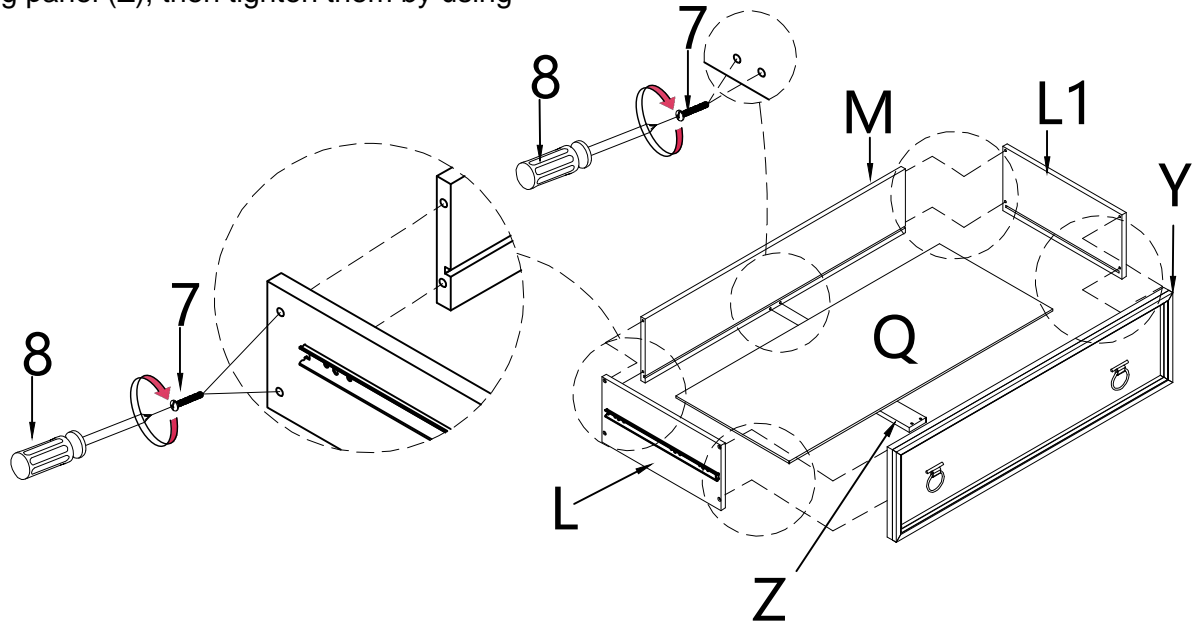


#7	x24
	
Ø5/32X3/4 "	

ASSEMBLY INSTRUCTIONS

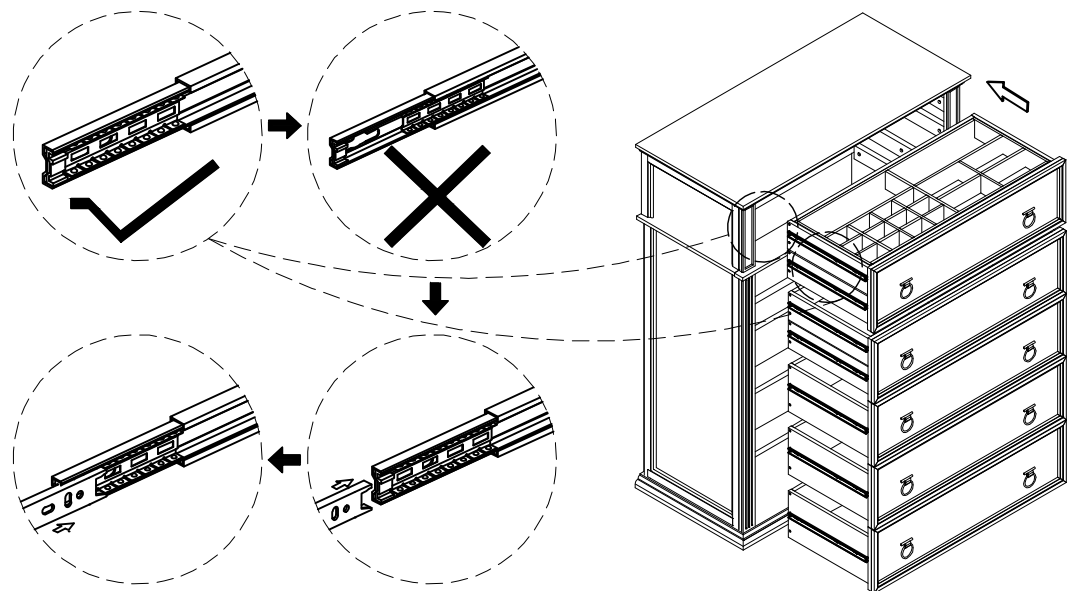
STEP-11

Align bottom drawer panel (Q) drawer side panel (L L1) back drawer panel (M) drawer panel (G) and reinforcing panel (Z), then tighten them by using bolt (7)



STEP-12

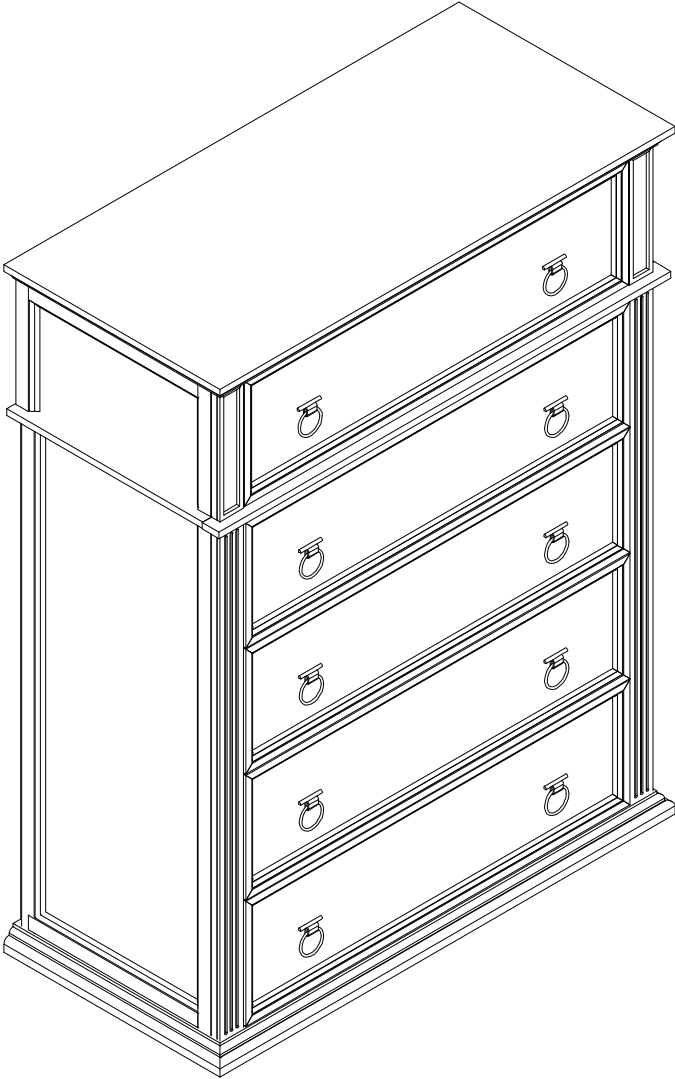
Assemble the drawer with the cabinet base.



#7	x36
ø5/32X3/4 "	

ASSEMBLY INSTRUCTIONS

STEP-13



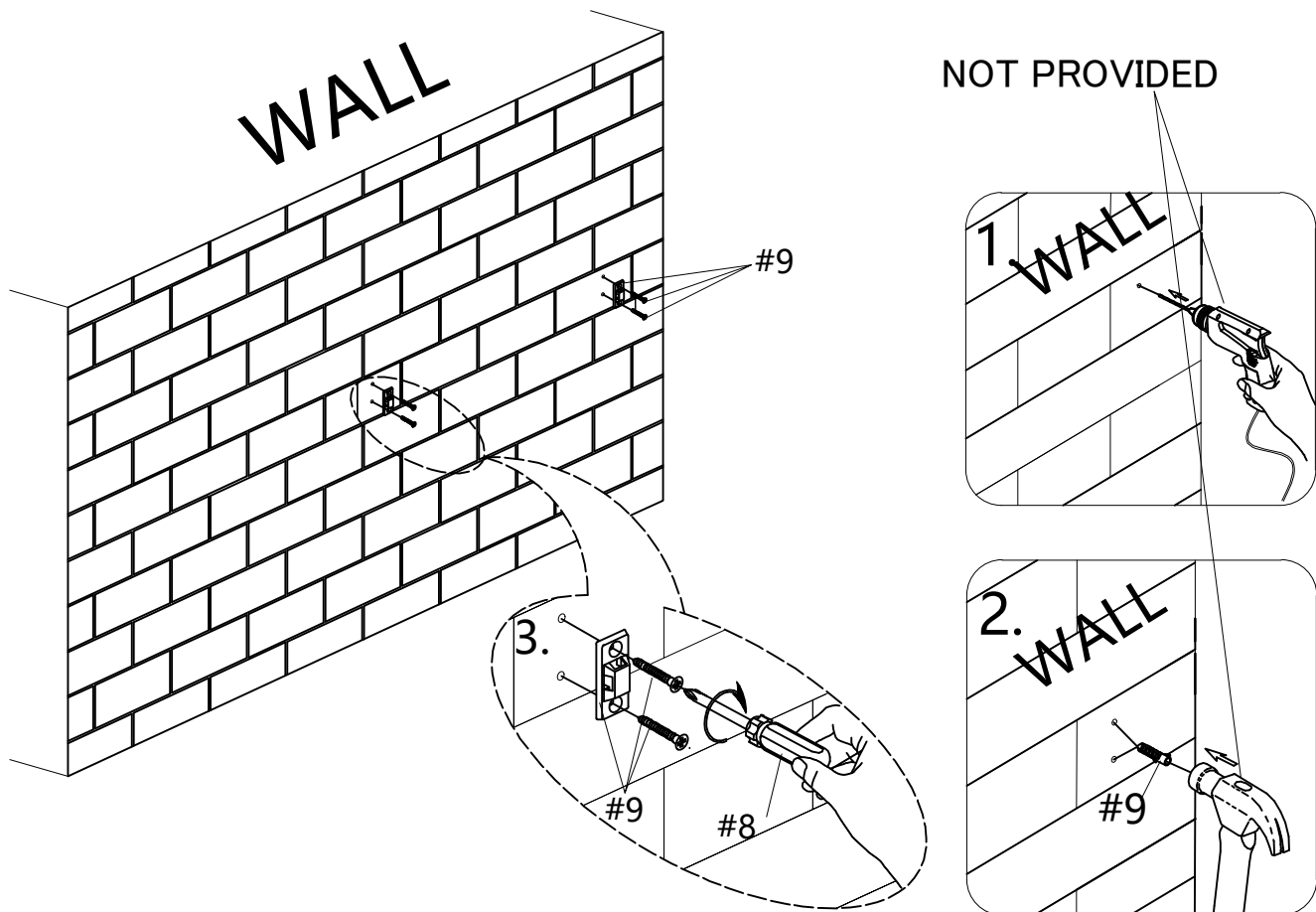
ASSEMBLY INSTRUCTIONS

STEP-14

1. Install the anti-collapse device.

2. Mark the position on the wall, that corresponds to the location of part #9 on the of panel (A); Drill and insert the expandable screw #9 by hammer.

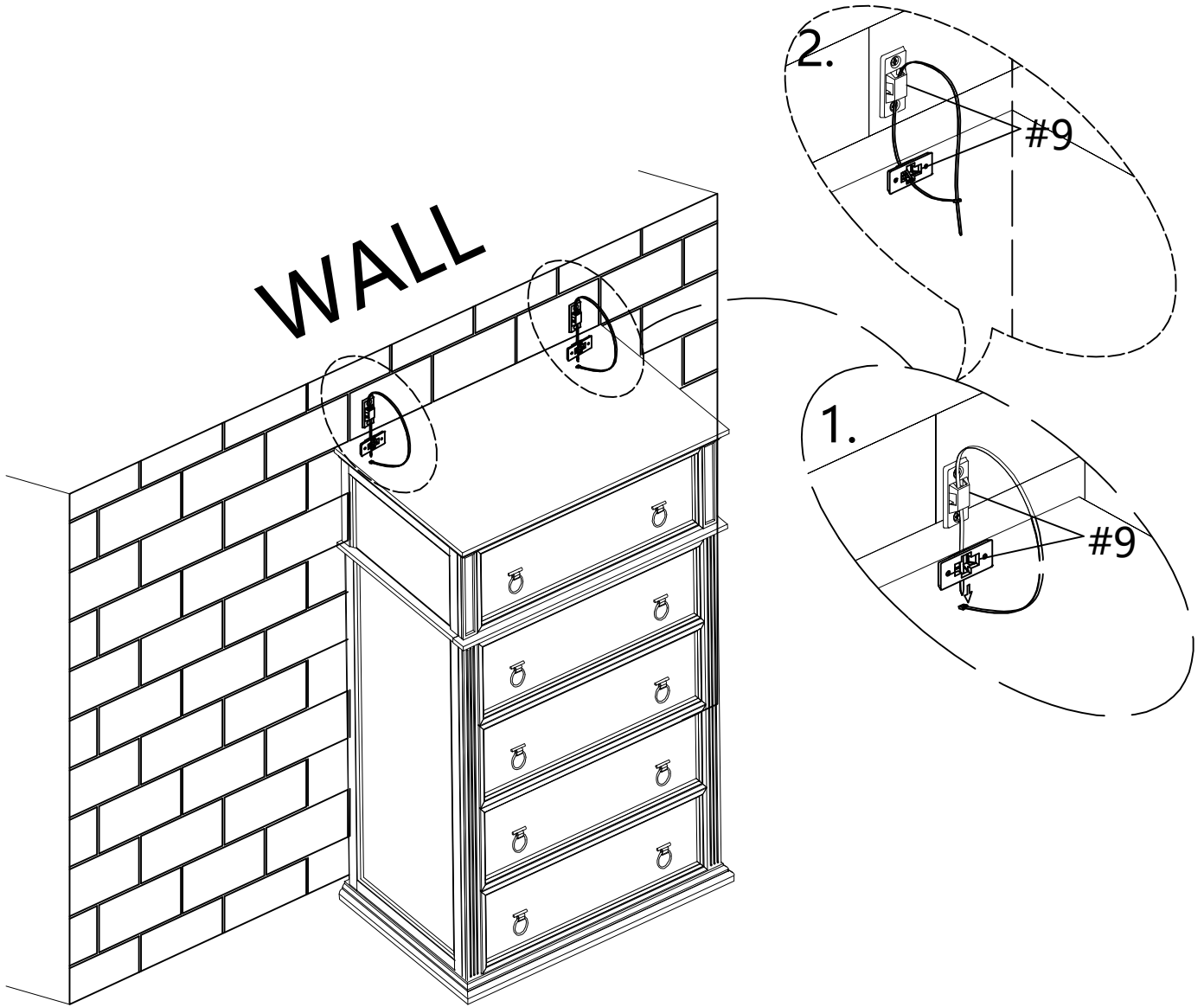
3. Assemble the part #9 to the wall. Align the hole in the part #9 with the expandable screw #9, use screw #9 to attach it and tighten by screwdriver #8.



ASSEMBLY INSTRUCTIONS

STEP-15

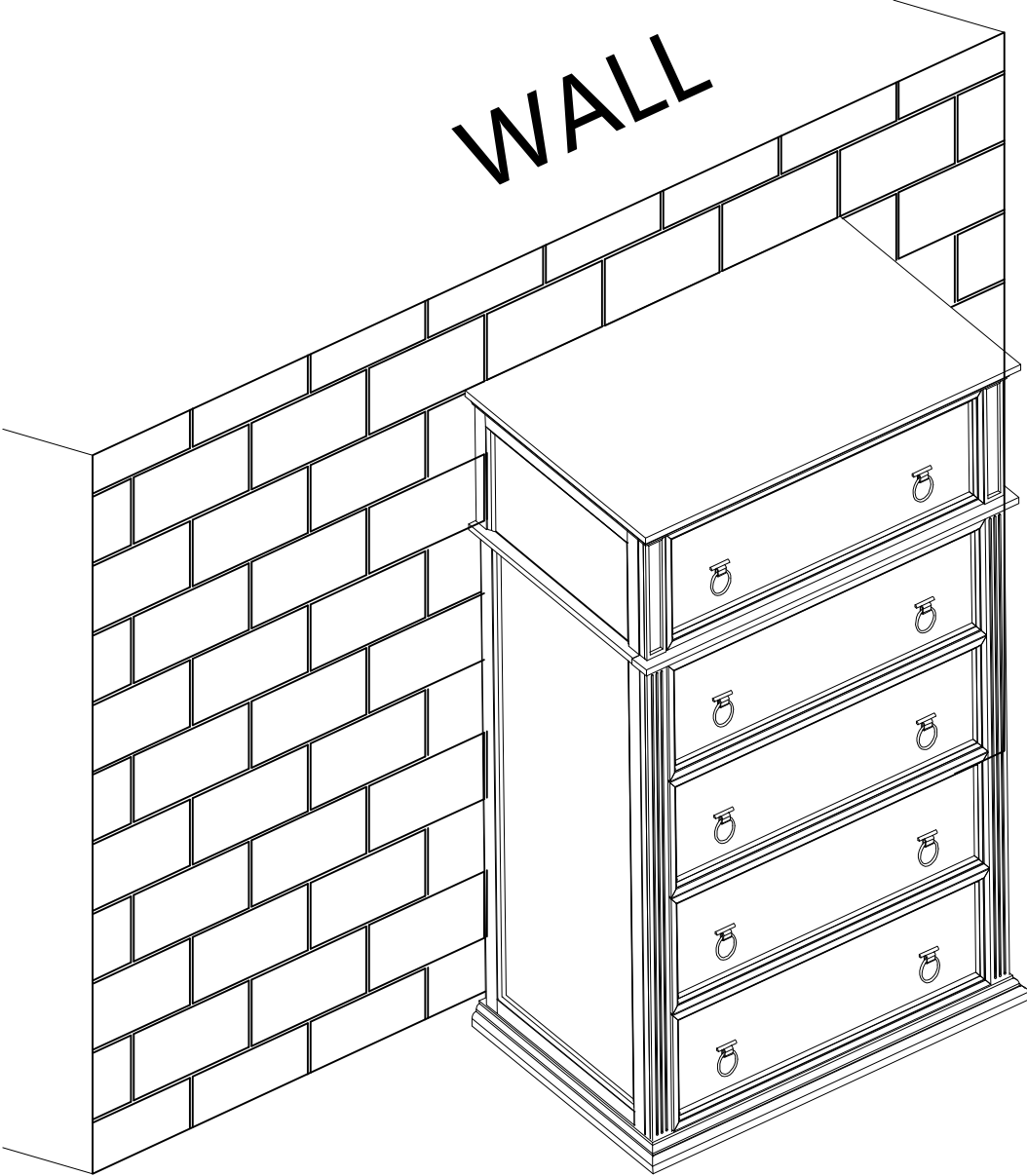
Let the plastic belt pass through the both part #9 and pull tightly.



ASSEMBLY INSTRUCTIONS

STEP-14

Complete.



WARRANTY

1. We strive to offer high-quality products, and we also try our best to satisfy each and every customer that orders from us with product or service as needed.
2. We provide 30 days warranty starting from the time you receive the item. Each customer must provide a record of their order such as the order number, or item receipt for any items that are out of the warranty period you may also still receive.
3. Replacement parts by purchasing them with our company if they are available.

customerservice@hulalahome.com

Are you having difficulty
With assembly? Missing parts?
Please send email with your order No to
customerservice@hulalahome.com

For return, please check the return policy with
the retailer or market place you bought from.

Appreciate your purchasing from us.
Pop up your life by our furniture piece!