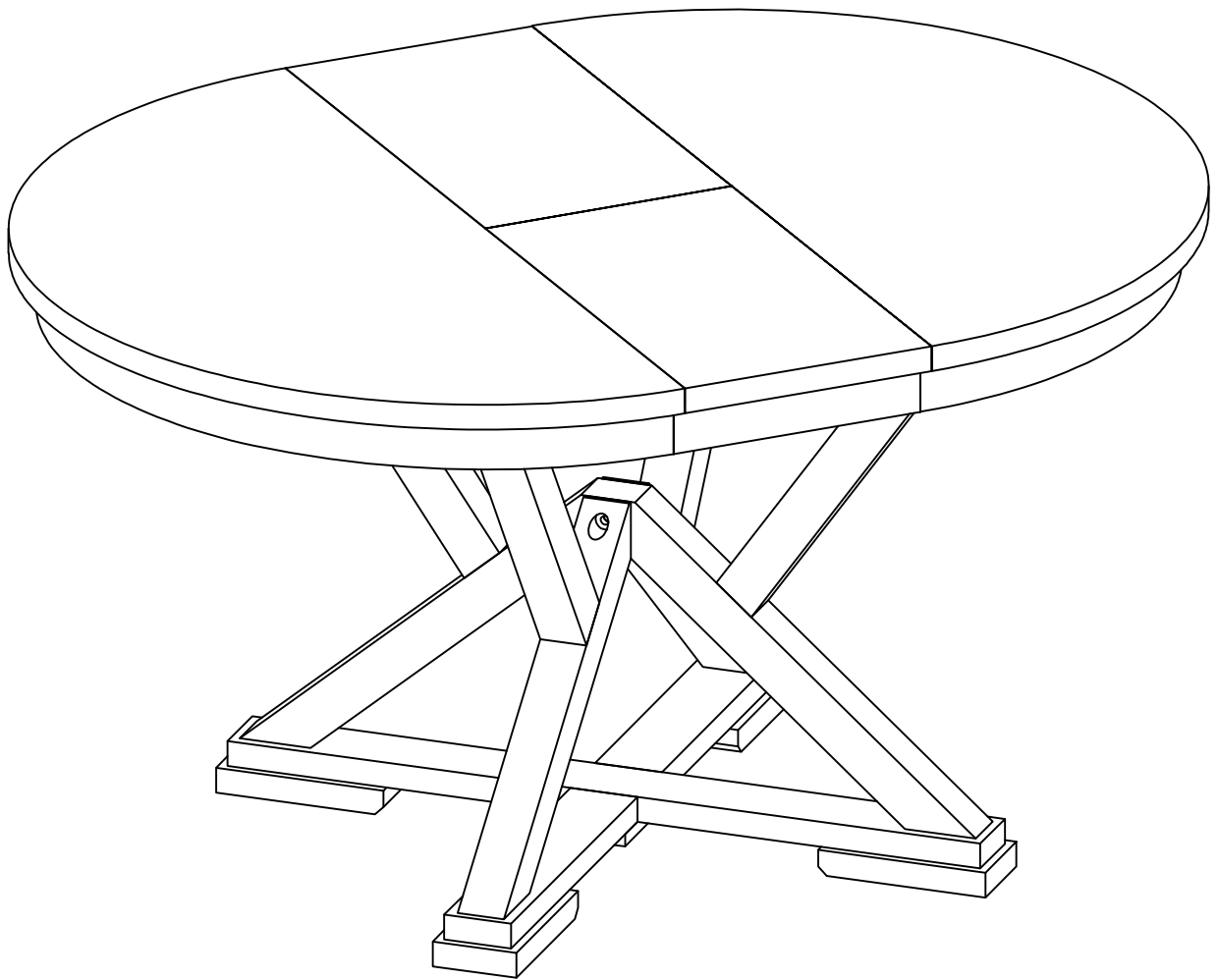


HULALA

H O M E



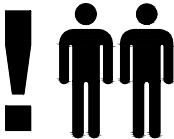
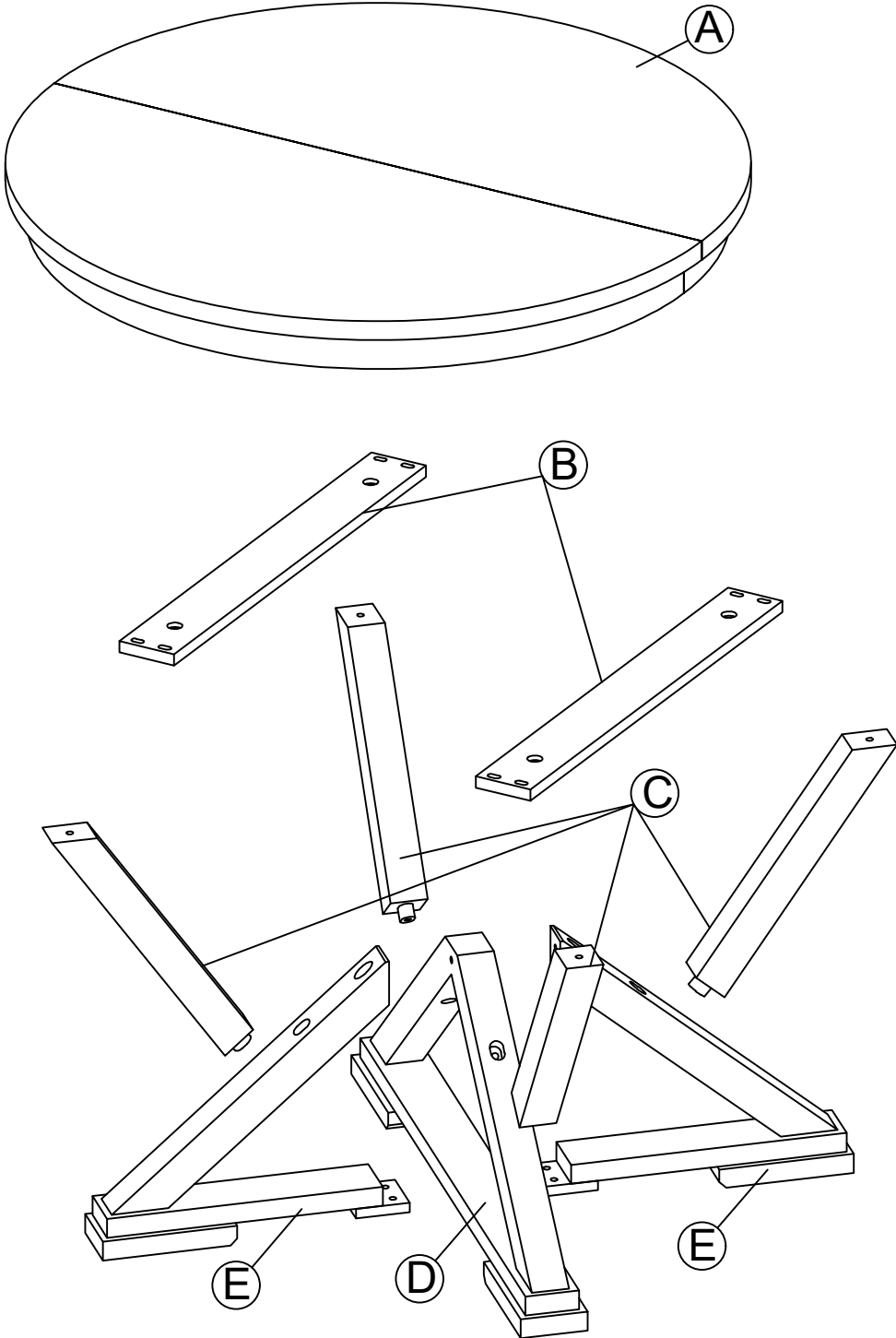
ITEM NO. DTHV1102

NOTE:

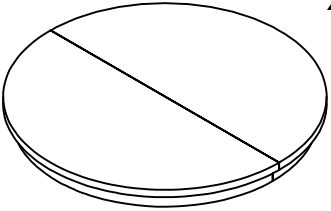
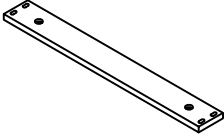
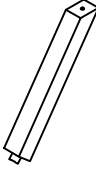
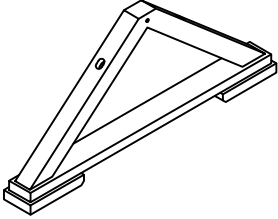
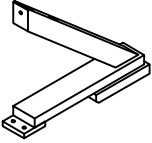
This brochure contains IMPORTANT safety info. Please read and keep for future reference.

EXPLOSIVE VIEW

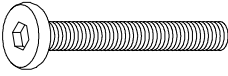
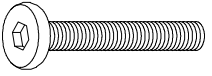



DTHV1102 DINING TABLE



PARTS LIST

<p>A x1</p>  <p>Top Table</p>	<p>B x2</p>  <p>Support Bar 1</p>	<p>C x4</p>  <p>Support Bar 2</p>
<p>D x1</p>  <p>Leg 1</p>	<p>E x2</p>  <p>Leg 2</p>	





HARDWARE LIST

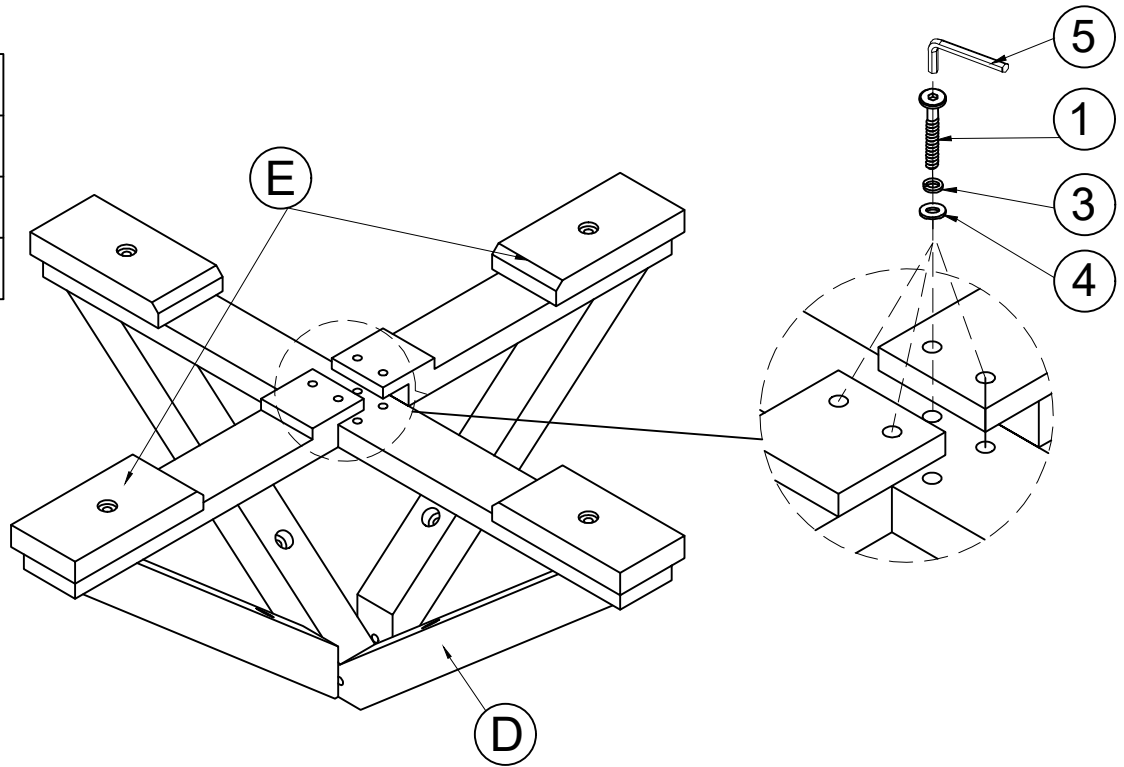
<p>1 x4</p>  <p>Bolt 5/16" * 1-1/2"L</p>	<p>2 x18</p>  <p>Bolt 5/16" * 1-3/8"L</p>	<p>3 x22</p>  <p>Spring Washer Ø5/16"*13</p>
<p>4 x22</p>  <p>Flat Washer Ø5/16"*19</p>	<p>5 x1</p>  <p>Allen Key</p>	

Be sure to check all packing material carefully for small parts, which may have come loose inside the carton during shipment.

ASSEMBLY INSTRUCTION





STEP 1

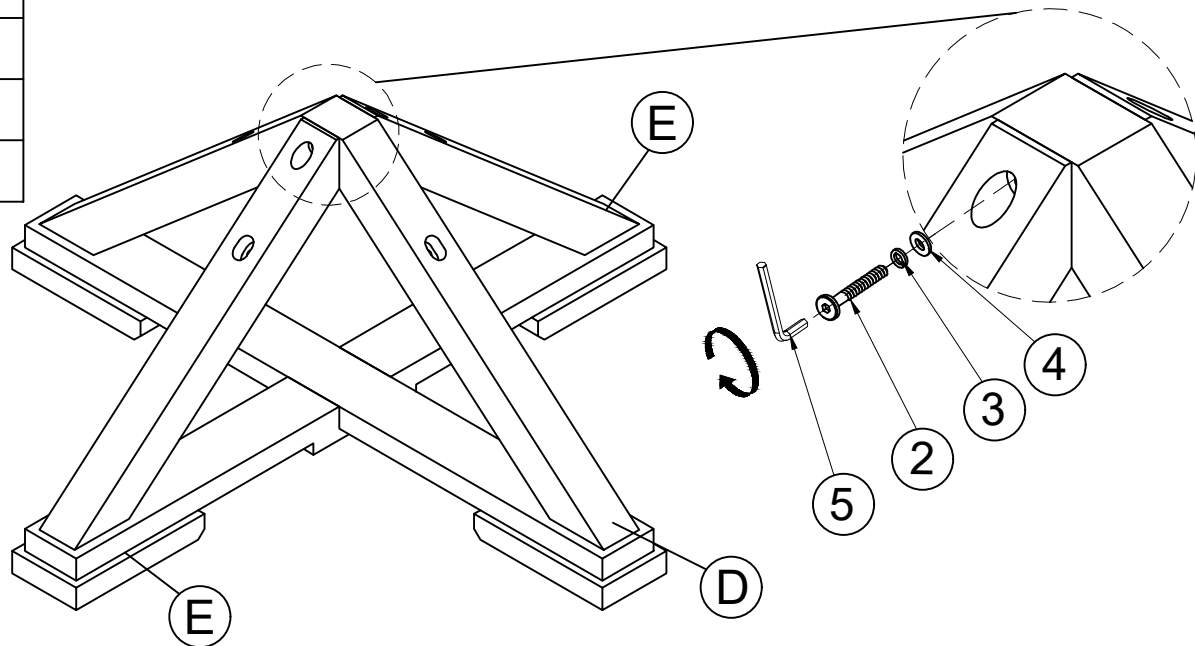
1		x 4
3		x 4
4		x 4
5		x 1



Attach the Leg 2 (E) to Leg 1 (D) use Spring Washer (3), Flat Washer (4) and the Bolt (1) with Allen Key (5) as shown.





STEP 2

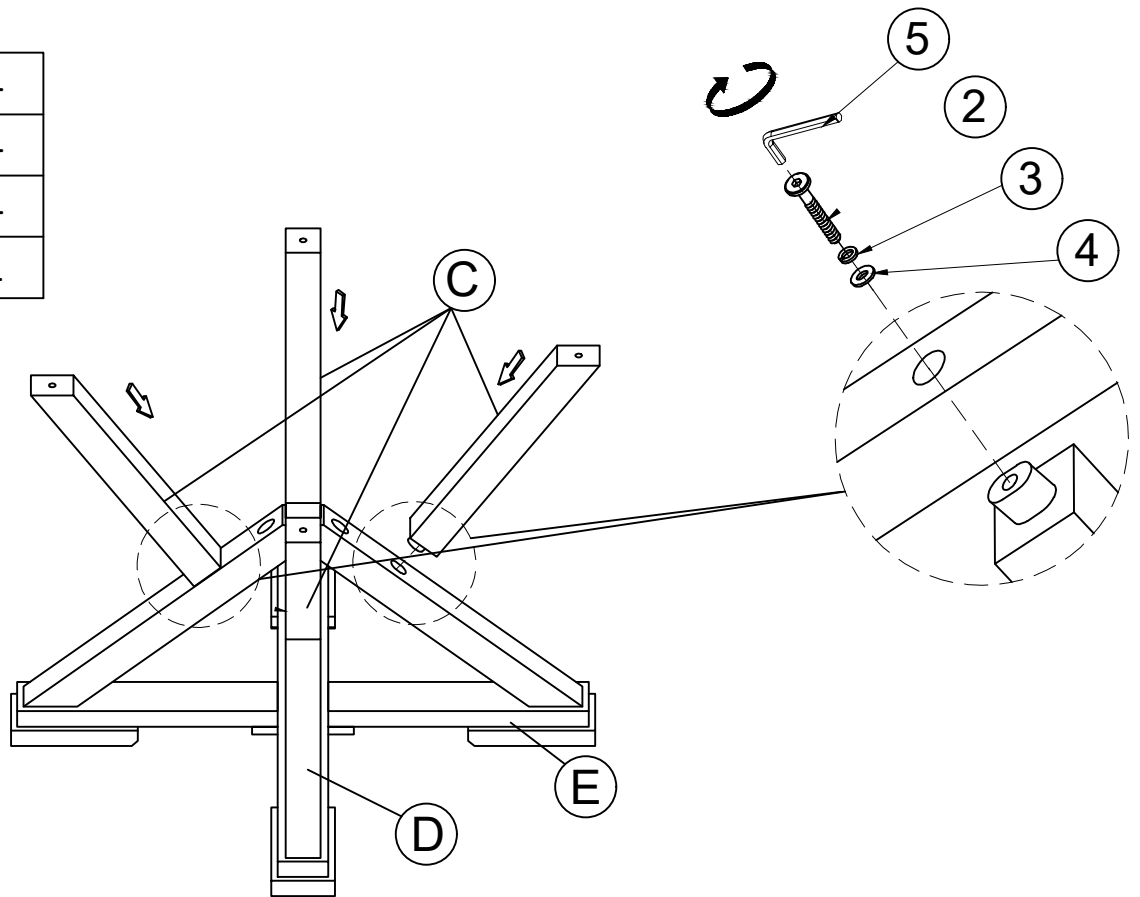
2		x 2
3		x 2
4		x 2
5		x 1



Attach the Leg 2 (E) to Leg 1 (D) use Spring Washer (3), Flat Washer (4) and the Bolt (2) with Allen Key (5) as shown.





STEP 3

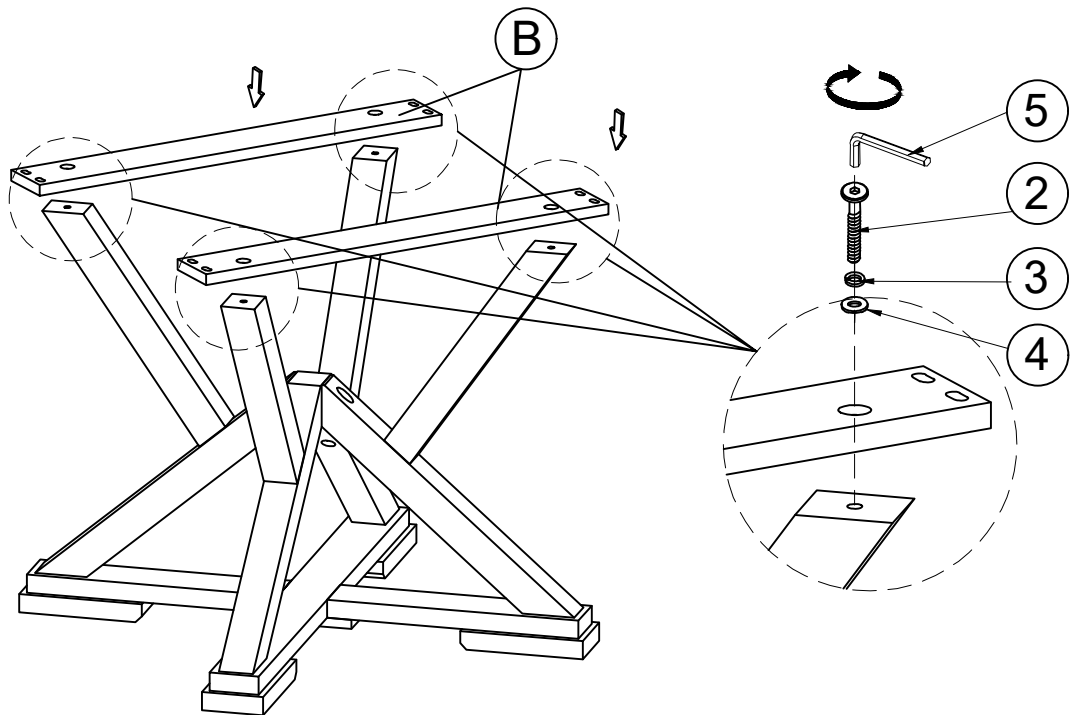
2		x 4
3		x 4
4		x 4
5		x 1



Attach the Support Bar 2 (C) to Leg 1 (D) and Leg 2 (E) use Spring Washer (3), Flat Washer (4) and the Bolt (2) with Allen Key (5) as shown.





STEP 4

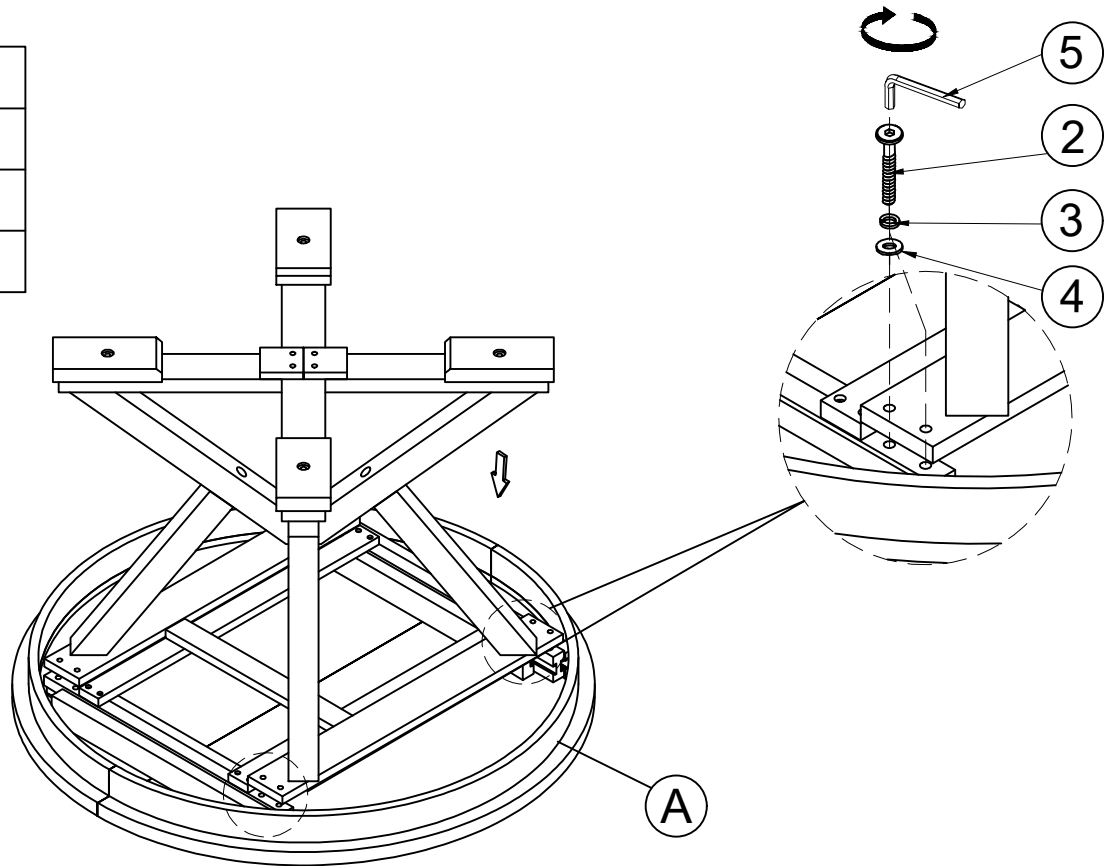
2		x 4
3		x 4
4		x 4
5		x 1



Attach the Support Bar 1 (B) to Support Bar 2 (C) use Spring Washer (3), Flat Washer (4) and the Bolt (2) with Allen Key (5) as shown.

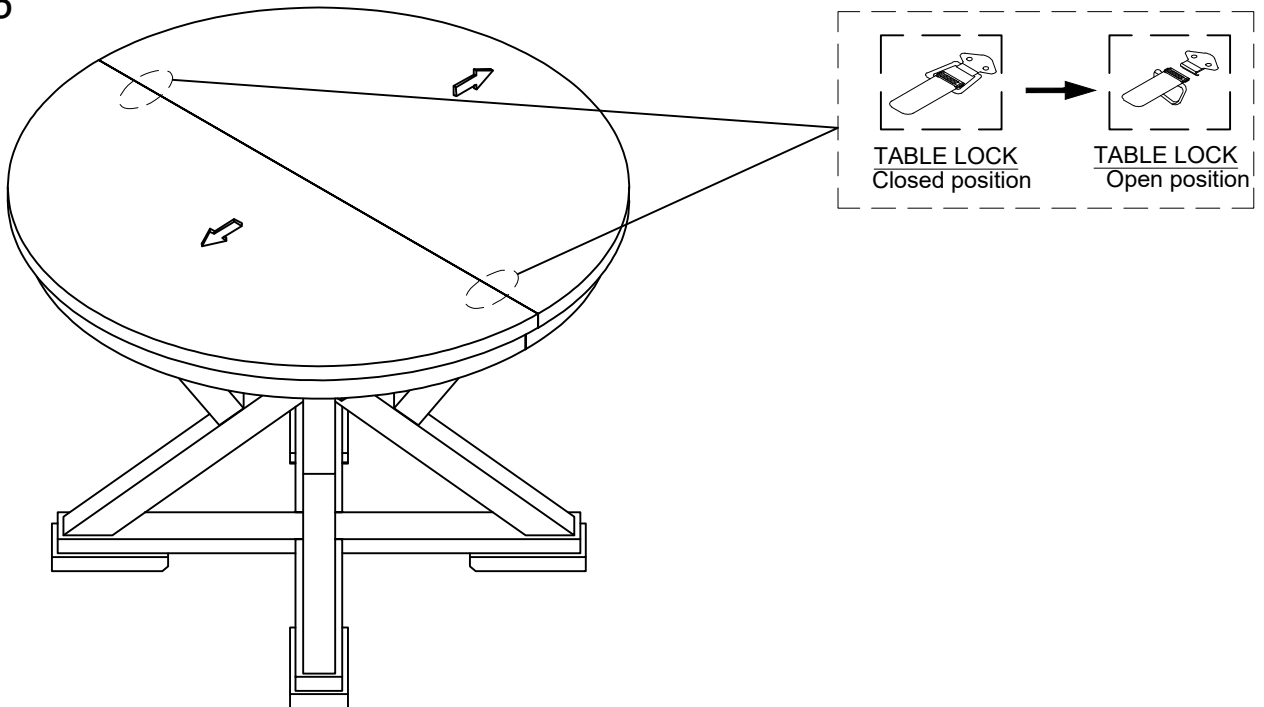
STEP 5

2		x 8
3		x 8
4		x 8
5		x 1

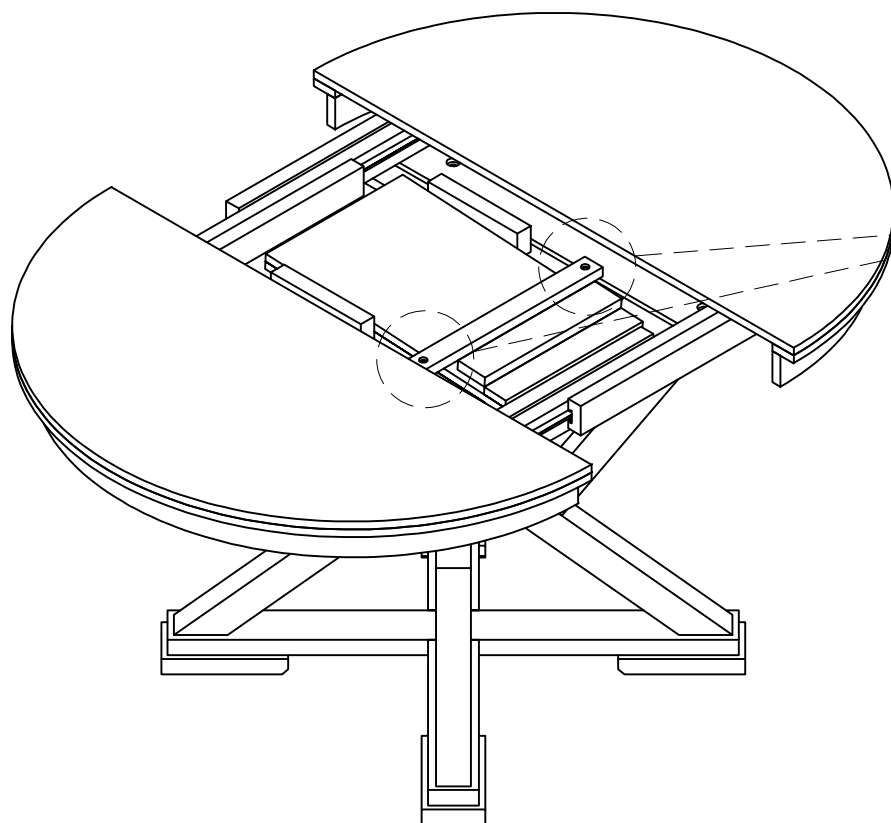


Attach the Legs to Top Table (A) use use Spring Washer (3), Flat Washer (4) and the Bolt (2) with Allen Key (5) as shown.

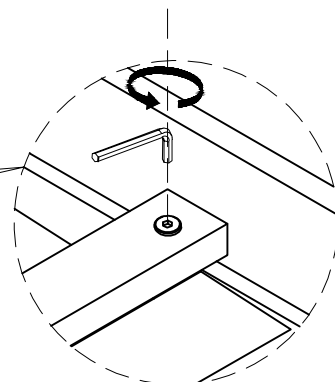
STEP 6



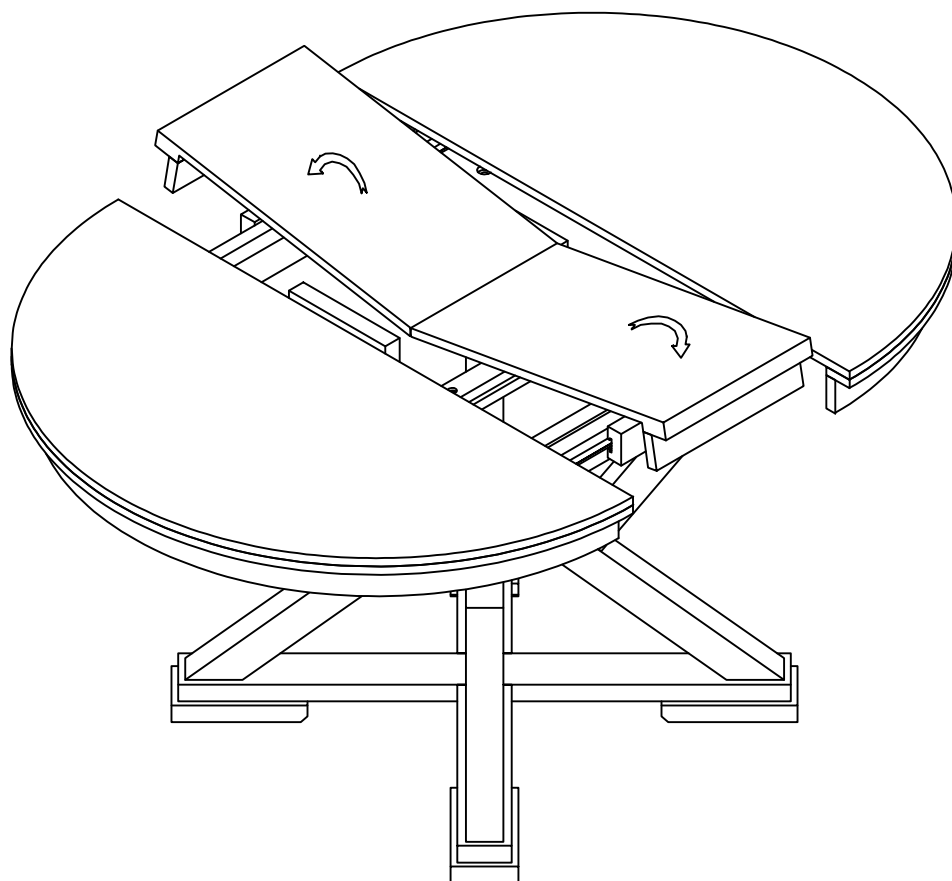
STEP 7



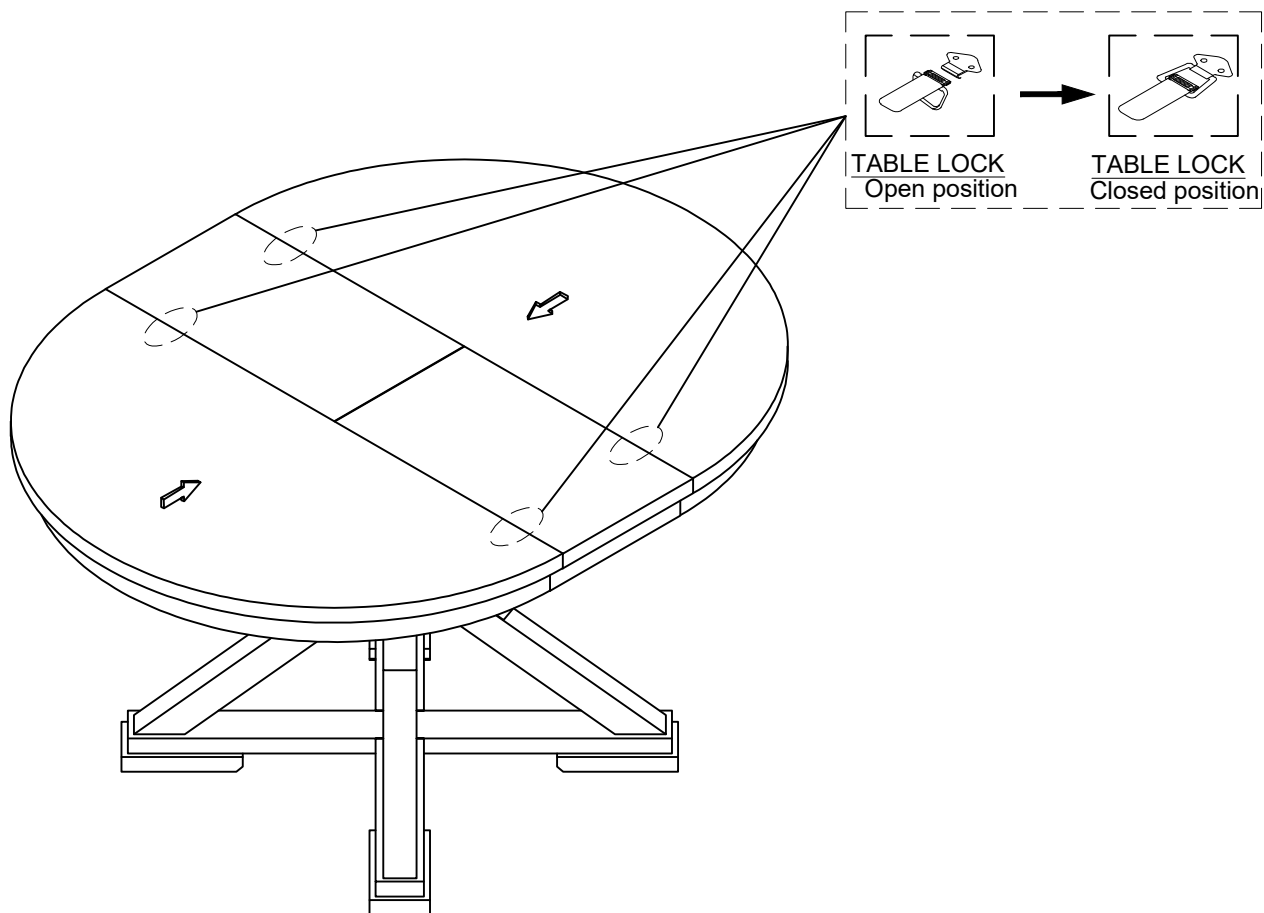
Remove support bar



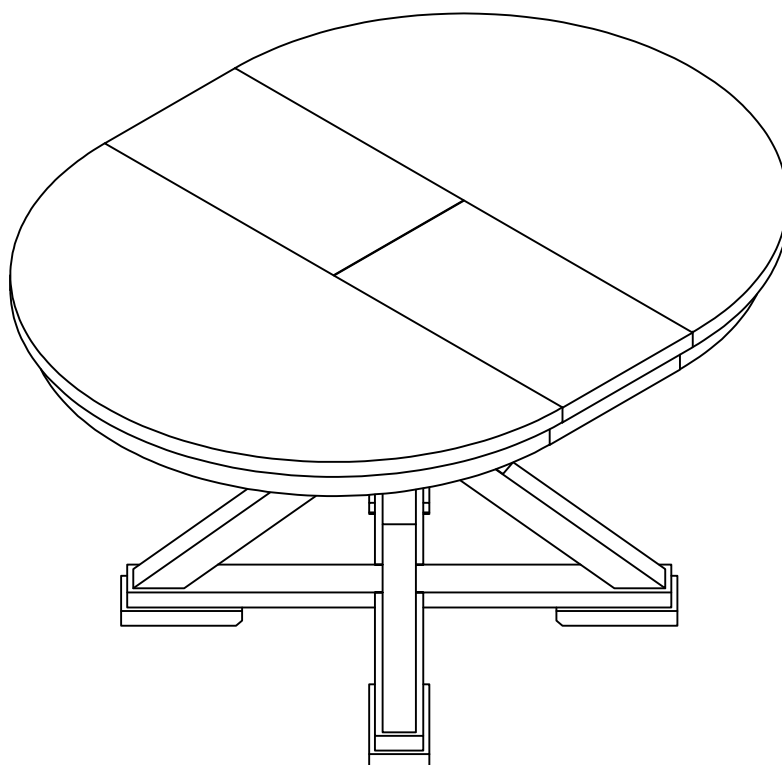
STEP 8



STEP 9



STEP 10



MAINTAINANCE AND WARNING



- Keep furniture away from heat.
- Do not clean furniture with harsh cleansers or polish. Do not use detergents, Solvents, abrasives, spray
- Packs or leather cleaner. Use non-color mild soap with warm water clean spills (Mix 1:10 soap to water)
- Do not place furniture under direct sunlight, material will possibly fade over time.
- Do not use on site dry Cleaning machine.
- Children should not climb or jump on the furniture.
- Do not write on furniture without a padded barrier to protect the surface.
- Not for commercial use, For residential use only.
- The maximum load is 300 LBS.

WARRANTY

We strive to offer high-quality products, and we also try our best to satisfy each and every customer that orders from us with product or service as needed. We provide 30 days warranty starting from the time you receive the item. Each customer must provide a record of their order such as the order number, or item receipt for any items that are out of the warranty period you may also still receive replacement parts by purchasing them with our company if they are available.

Are you having difficulty with assembly? Missing parts? Please send email with your order No to

customerservice@hulalahome.com

For return, please check the return policy with the retailer or market place you bought from. Appreciate your purchasing from us. Pop up your life by our furniture piece!