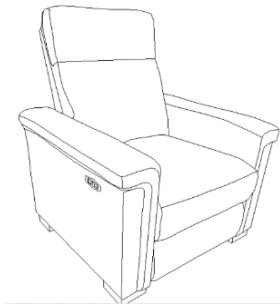

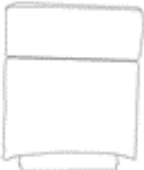


# Assembly Instructions

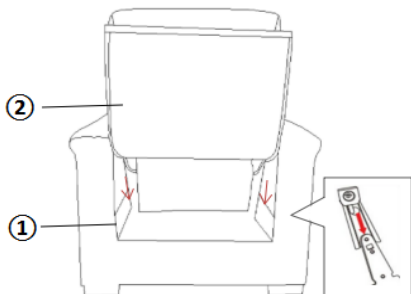
**ITM NO: LBL5247**



1. Remove all parts ( seat & back ) from the carton and place them on a protected surface or carpet.



No.	Parts	Quantity
①		1
②		1

2. Attach the back cushion (2) to the seat cushion (1) by sliding the receivers into the mechanism posts located on the seat cushion (1). From the front of the recliner, press down on both sides of the back cushion (2) to firmly secure. The back cushion (2) and seat cushion (1) will automatically lock into place. Then pull the back flap down tightly and attach the back flap to the bottom of the seat cushion (1).



	
Correct side view	Correct back view

3. Take the wire (3) out from the bottom of the seat, then connect (3) to the power socket of the wall. Press "OPEN" button, recline to your desired comfort position and ...relax. With the built-in USB charge port, you can play with your phone or tablet in this chair without worrying about the battery.

