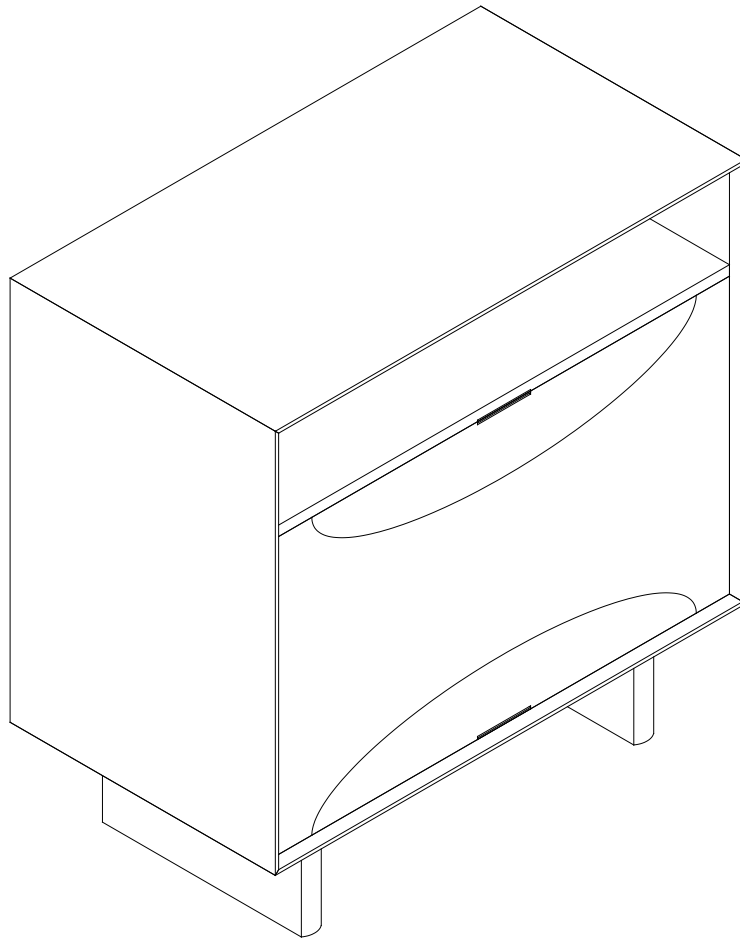


HULALA

H O M E



ITEM NO. NSCL1067

NOTE:

This brochure contains IMPORTANT safety info. Please read and keep for future reference.

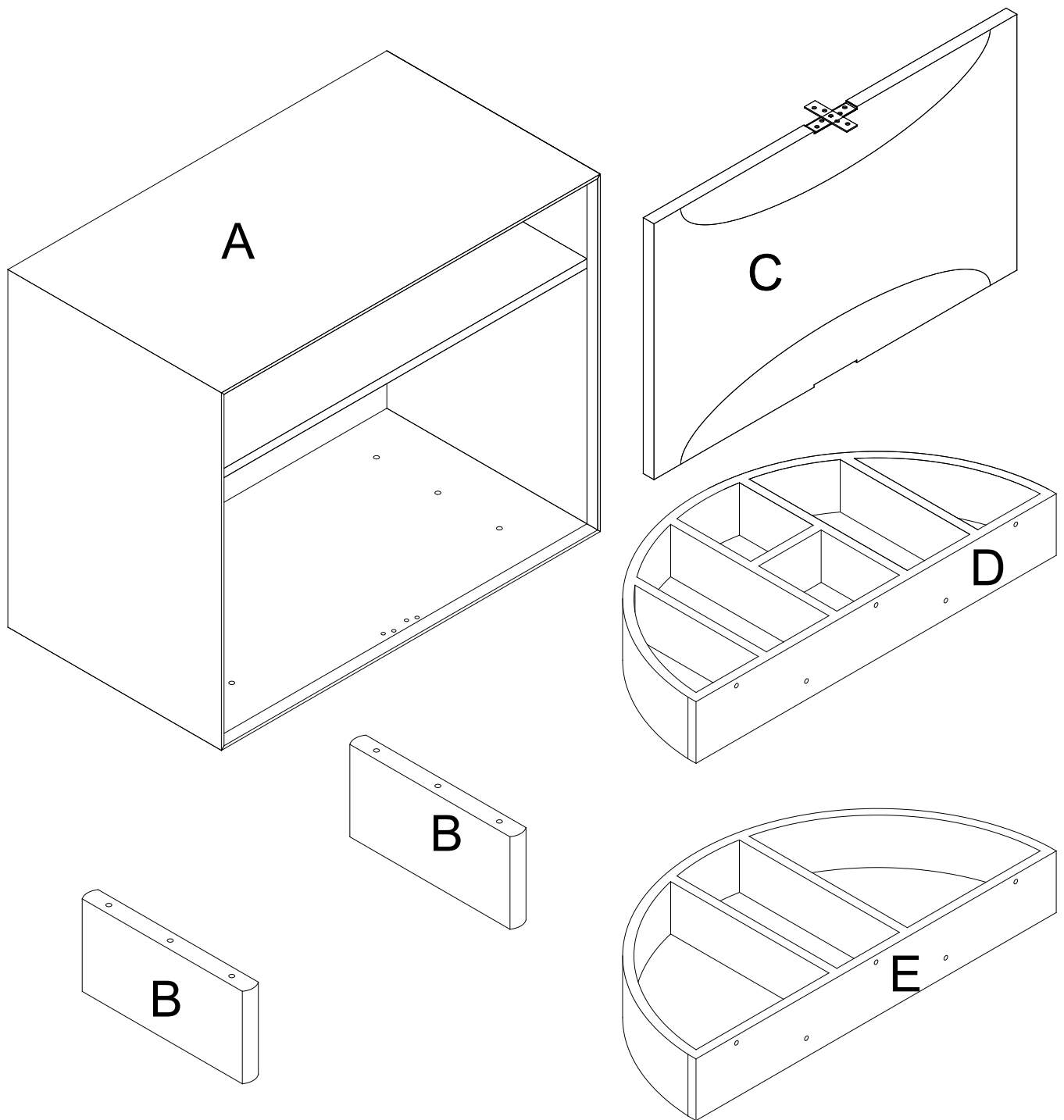
MAINTAINANCE AND WARNING

- 1.Keep furniture away from heat sources.
- 2.Do not clean furniture with harsh cleaner or polishes.Do not use detergents,solvents,abrasives,spray packs or leather cleaner. Use non-color mild soap with warm water to clean spills(Mix 1:10 soap to water).
- 3.Do not place furniture under direct sunlight,material will possibly fade over time.
- 4.Do not use on site dry cleaning machine.Children should not climb or jump on the furniture.
- 5.Do not write on furniture that is not protectedby a padded barrier.
- 6.Not for commercial use,only for residential use.

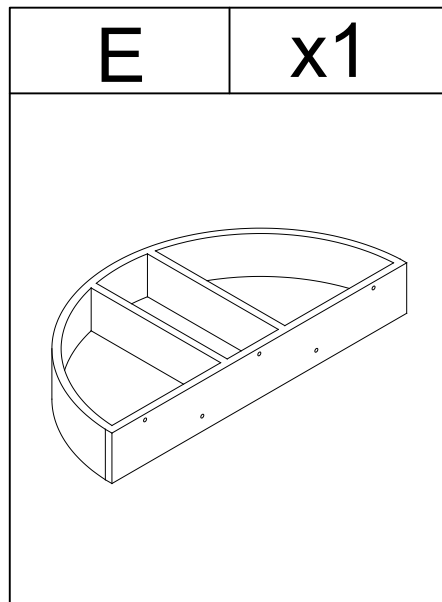
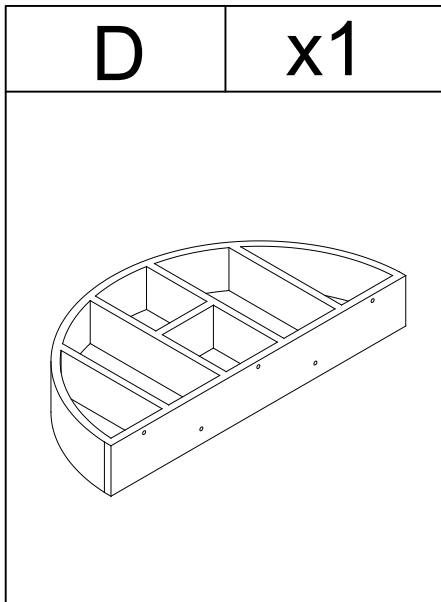
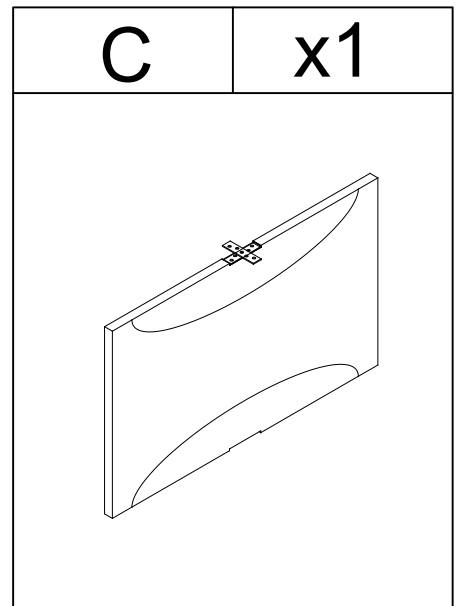
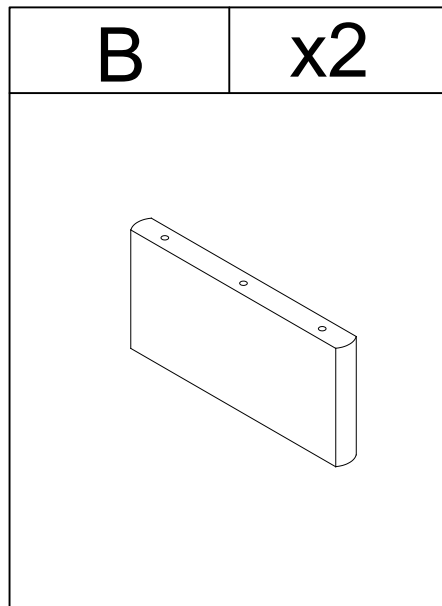
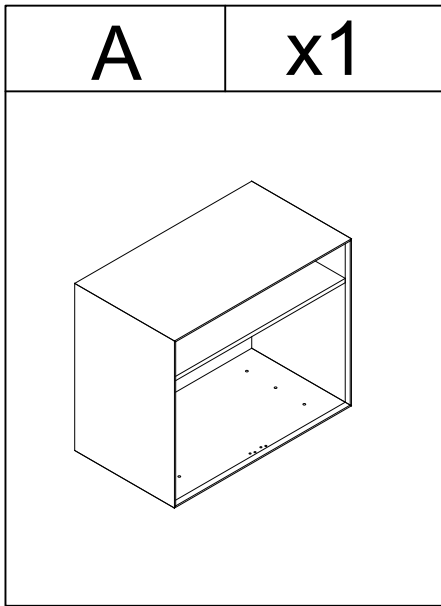


Weight Limitation
100 LBS

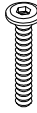


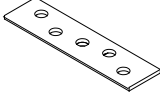


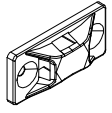
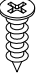


EXPLOSIVE VIEW





PARTS LIST




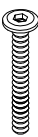

HARDWARE LIST

#1	x10	#2	x6	#3	x8	#4	x2	#5	x4	#6	x2
											
M6x20mm		M6x35mm									
#7	x4	#8	x4	#9	x4	#13	x2				
											

TOOL LIST

#10	x1	#11	x1
			

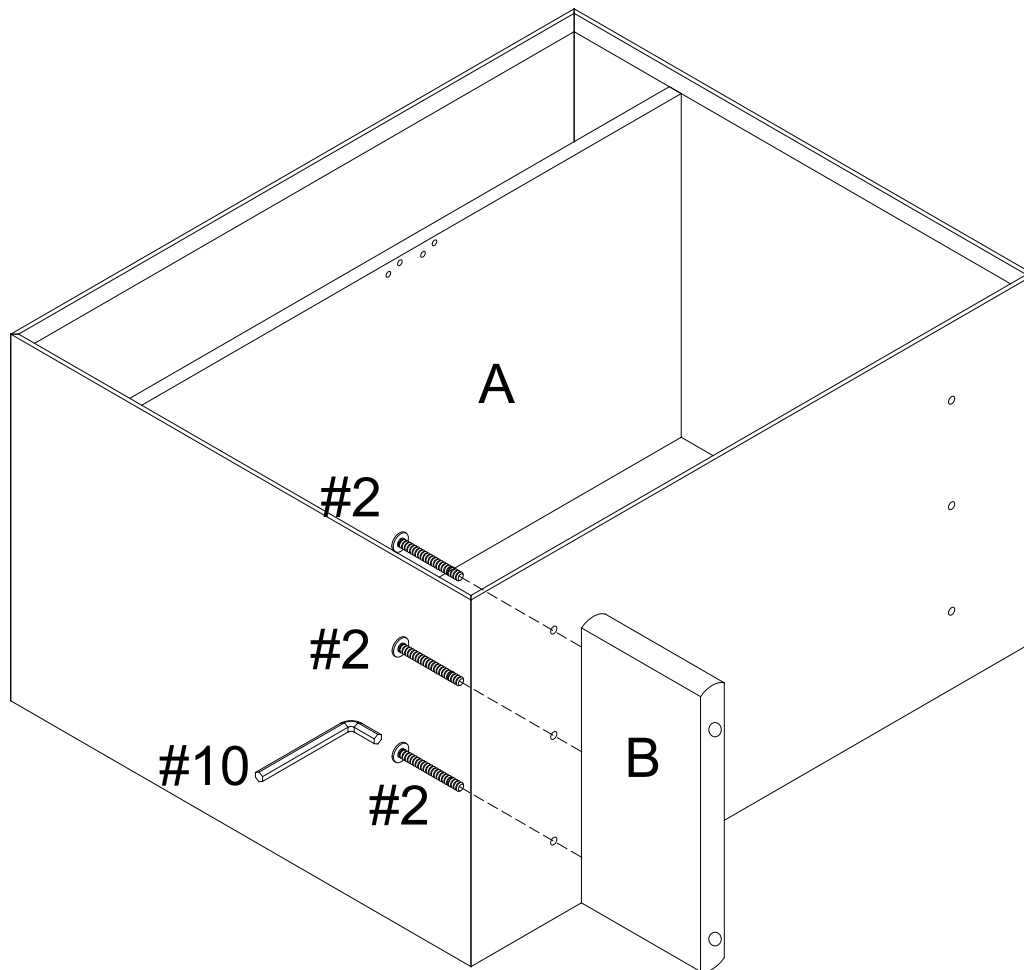
HARDWARE SPARE LIST



#1	x1	#2	x1	#3	x1
					
M6x20mm		M6x35mm			

ASSEMBLY INSTRUCTIONS

STEP-1

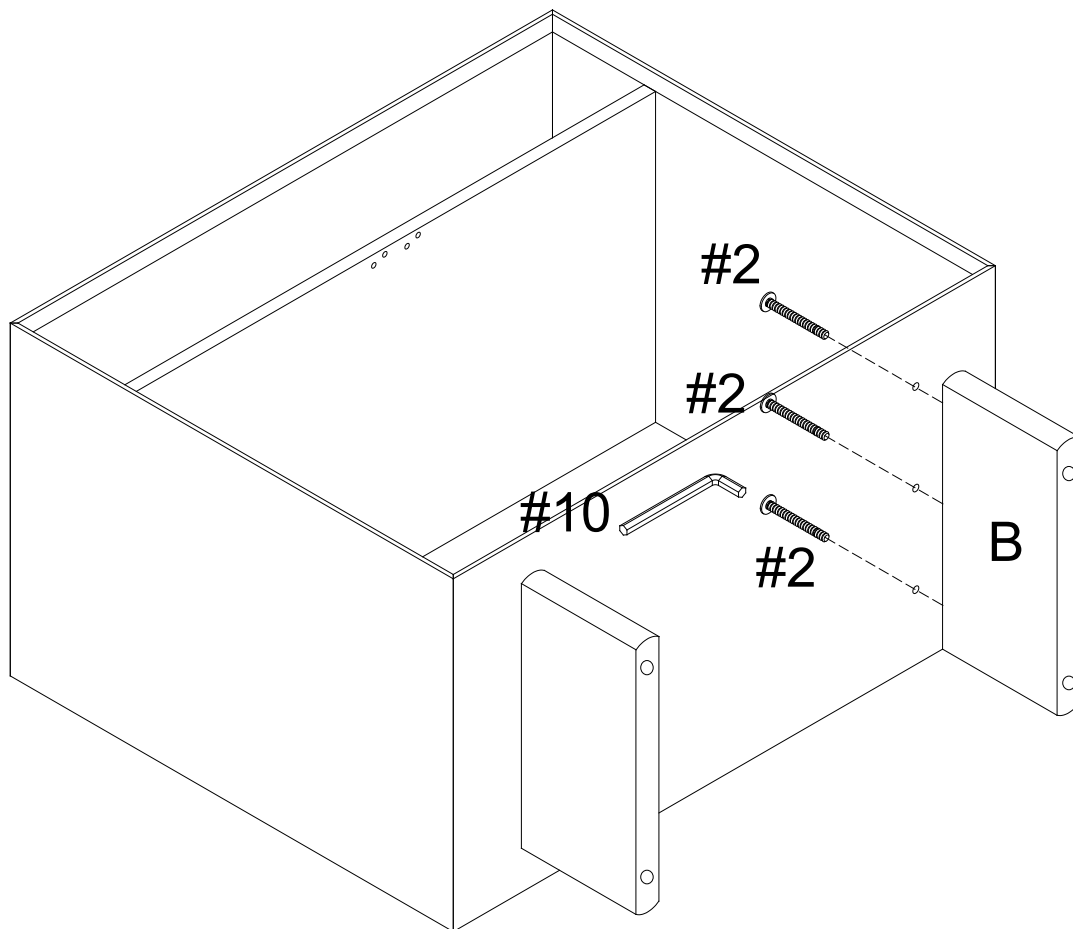
Insert leg (B) into the panel (A), make sure all holes aligned and then use bolt #2 to attach them, tighten bolt #2 with screwdriver #10.

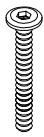



#2	x3	#10	x1
			
M6x35mm			

ASSEMBLY INSTRUCTIONS

STEP-2

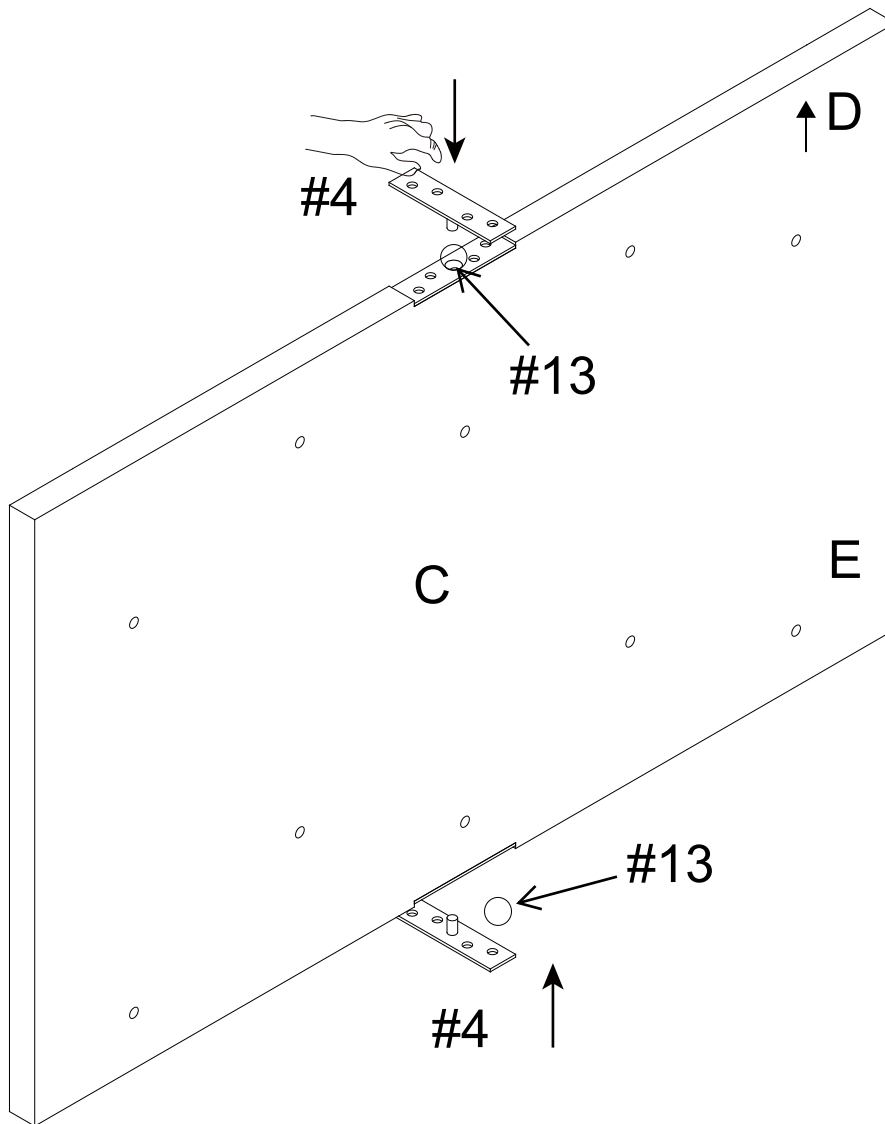



#2	x3	#10	x1
			
M6x35mm			

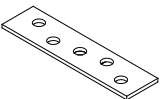
ASSEMBLY INSTRUCTIONS

STEP-3

Place #13 into the center hole of #4.

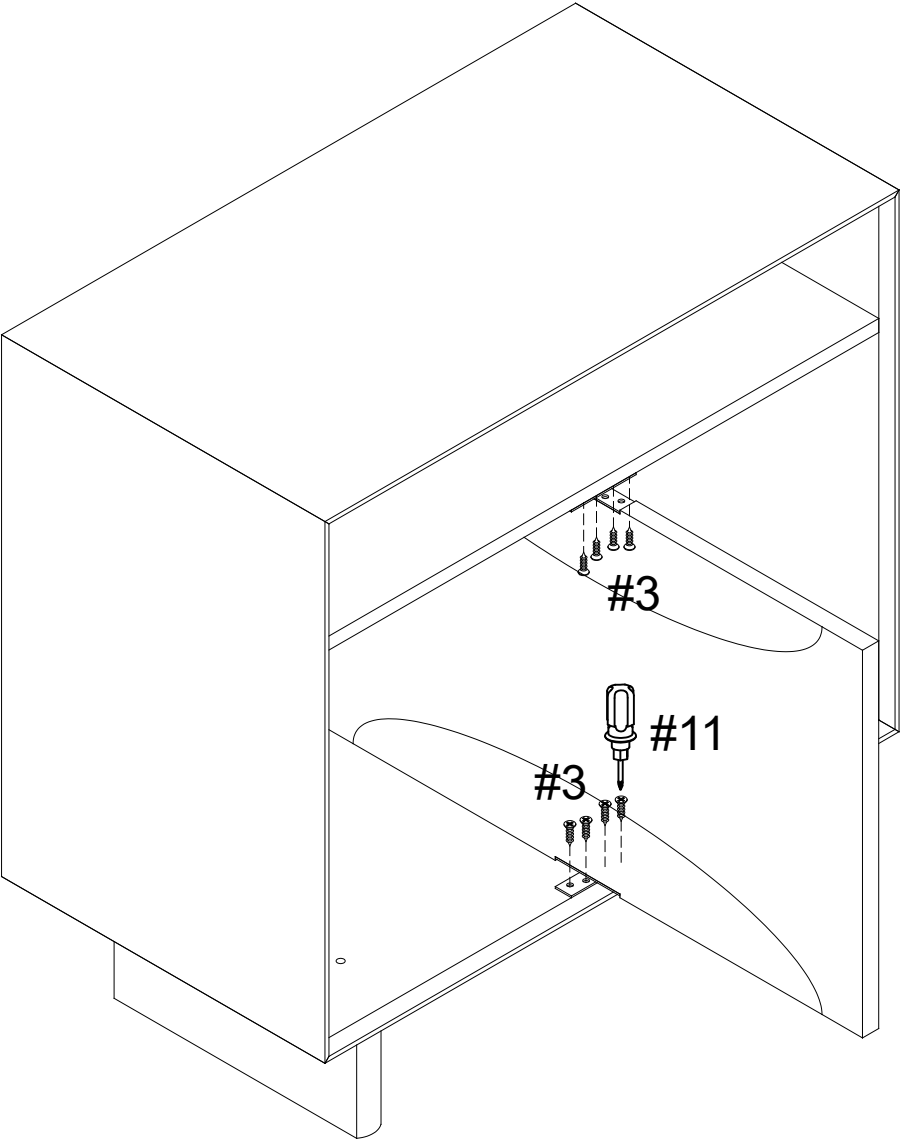



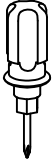
#13	x2
	

#4	x2
	

ASSEMBLY INSTRUCTIONS

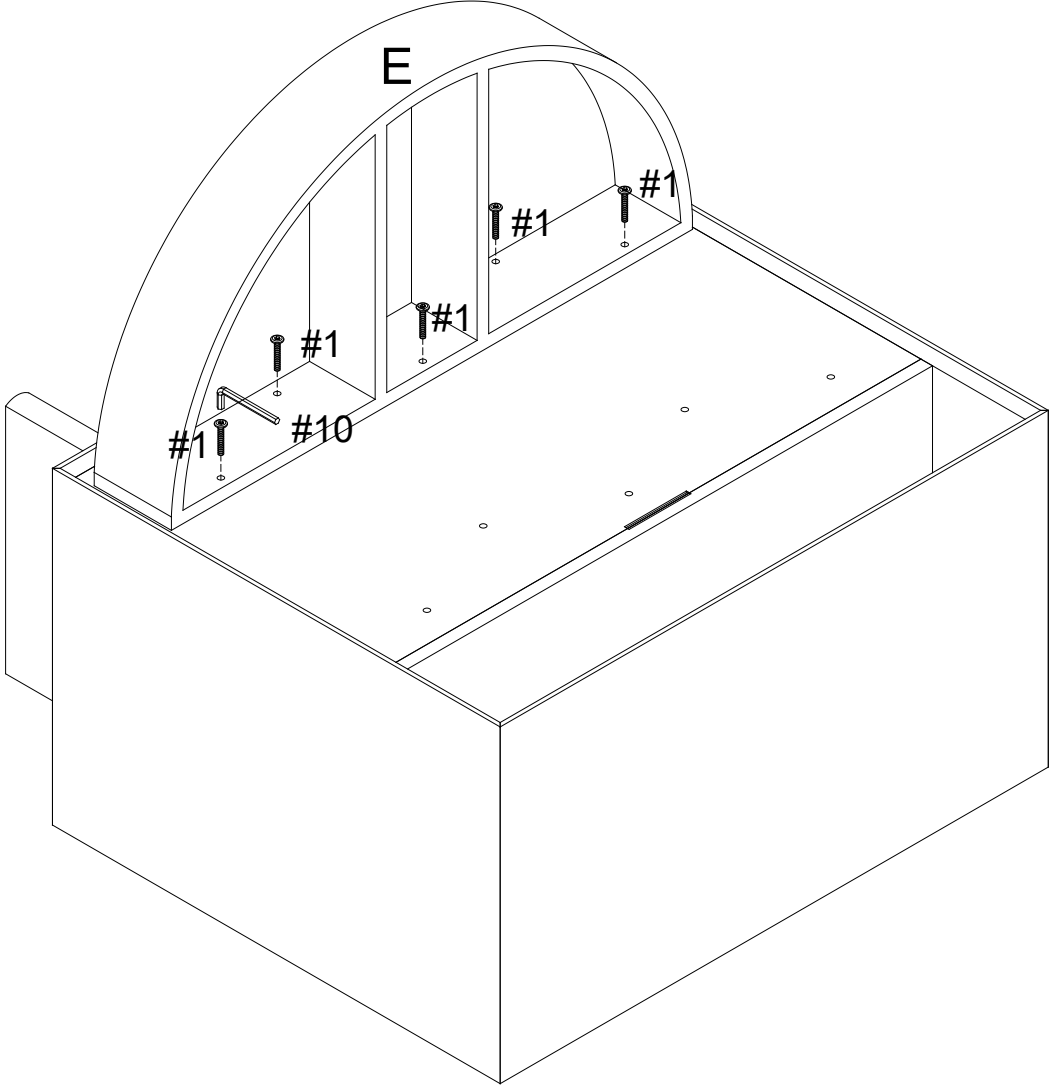
STEP-4

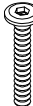
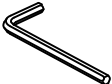


#3	x8	#11	x1
			

ASSEMBLY INSTRUCTIONS

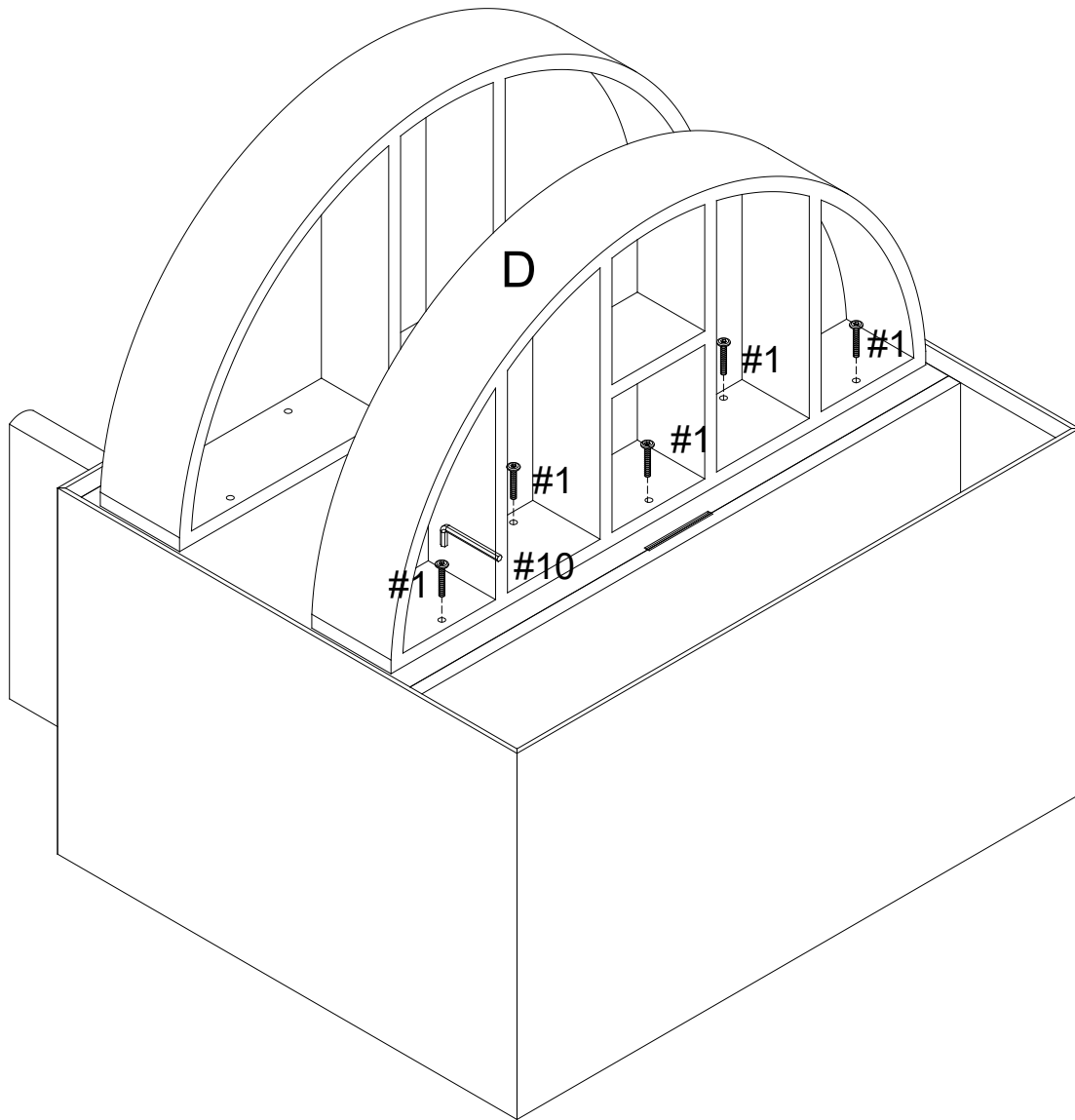
STEP-5





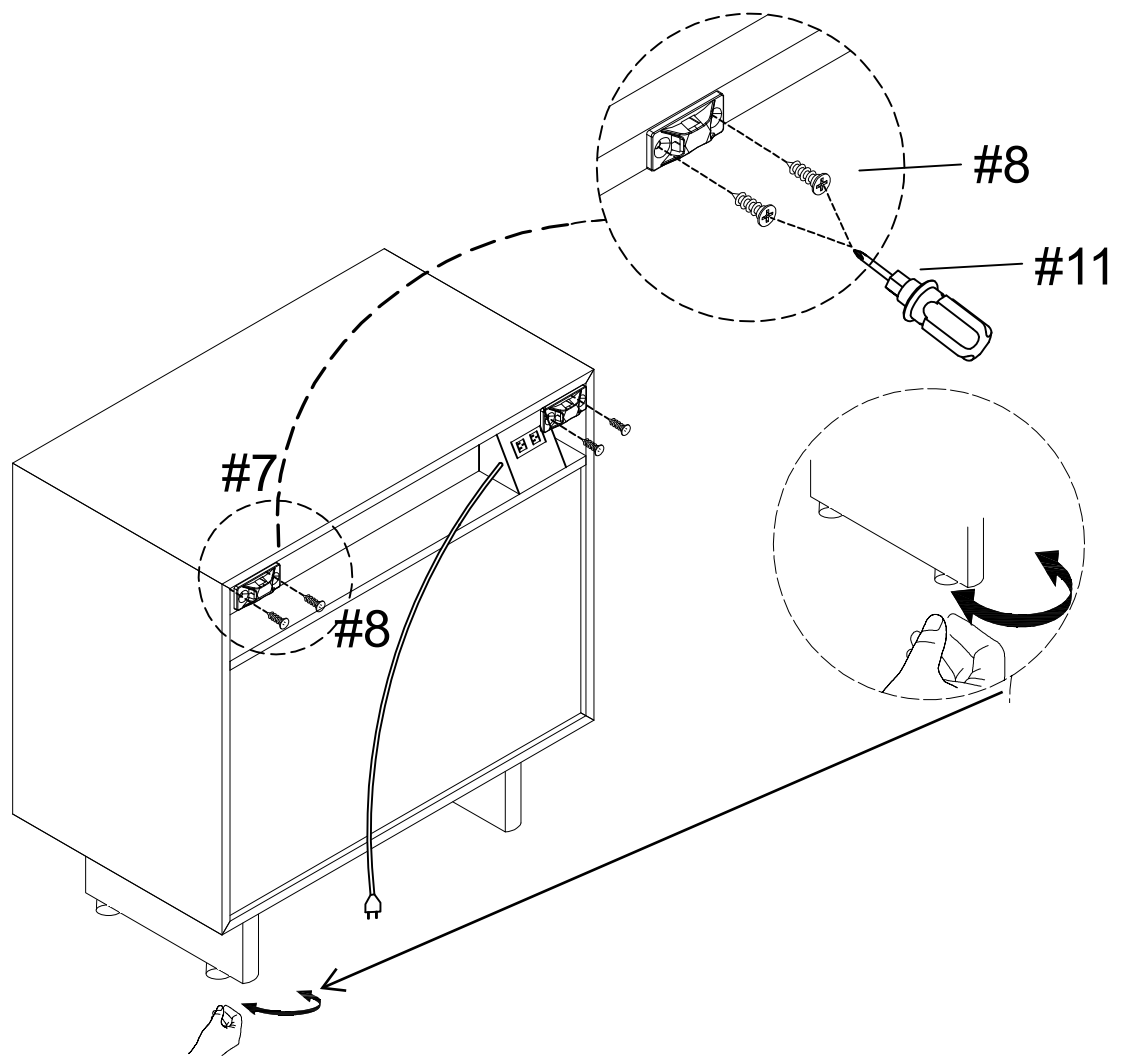
#1	x5	#10	x1
			
M6x20mm			

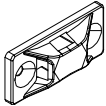


ASSEMBLY INSTRUCTIONS

STEP-6



#1	x5	#10	x1
			
M6x20mm			



#7	x2	#8	x4	#11	x1
					

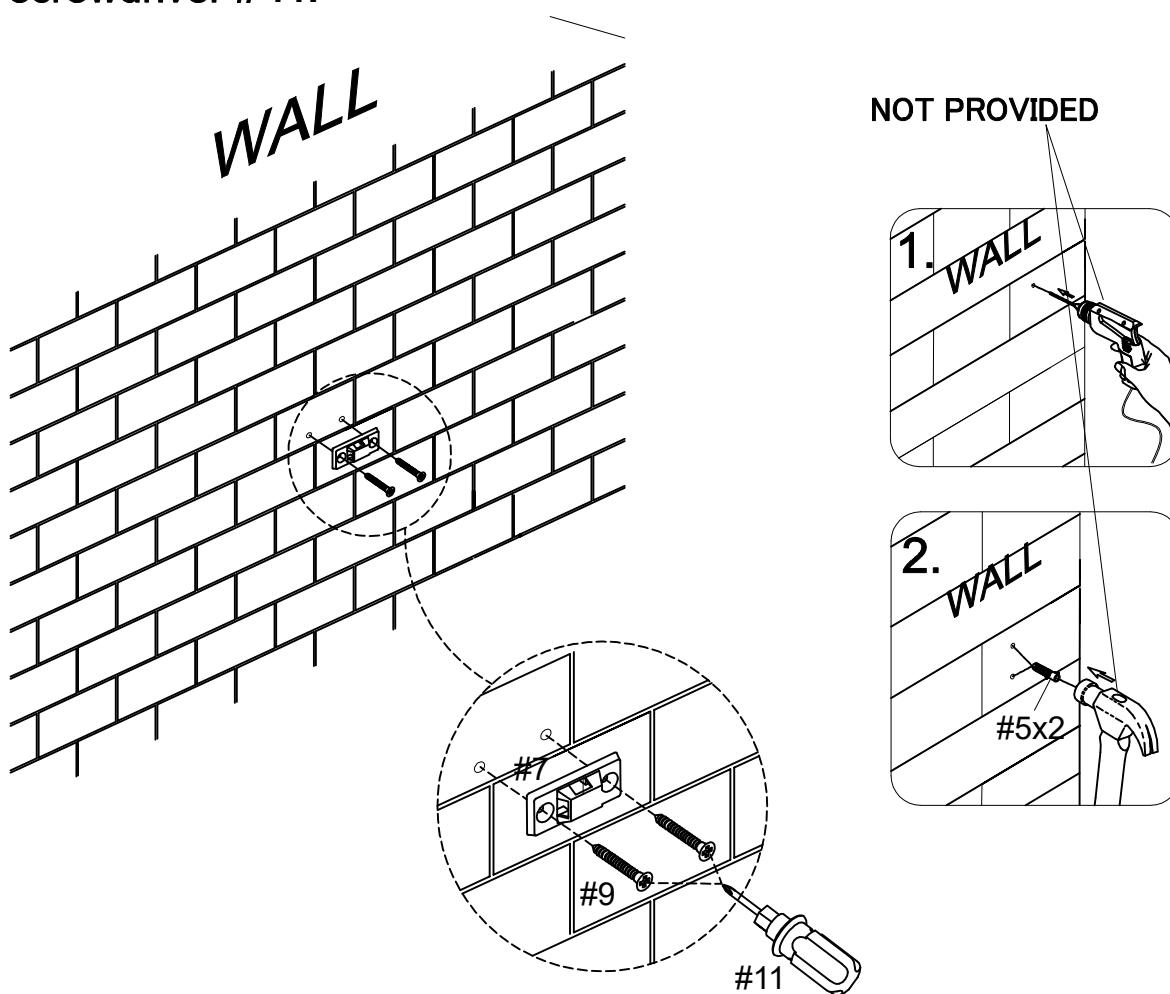
ASSEMBLY INSTRUCTIONS


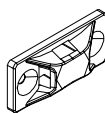


STEP- 8

1. Install the anti-collapse device.

2. Mark the position on the wall, that corresponds to the location of part #7 on the panel (A); Drill and insert the expandable screw #5 by hammer.

3. Assemble the part #7 to the wall. Align the hole in the part #7 with the expandable screw #5, use screw #9 to attach it and tighten by screwdriver #11.

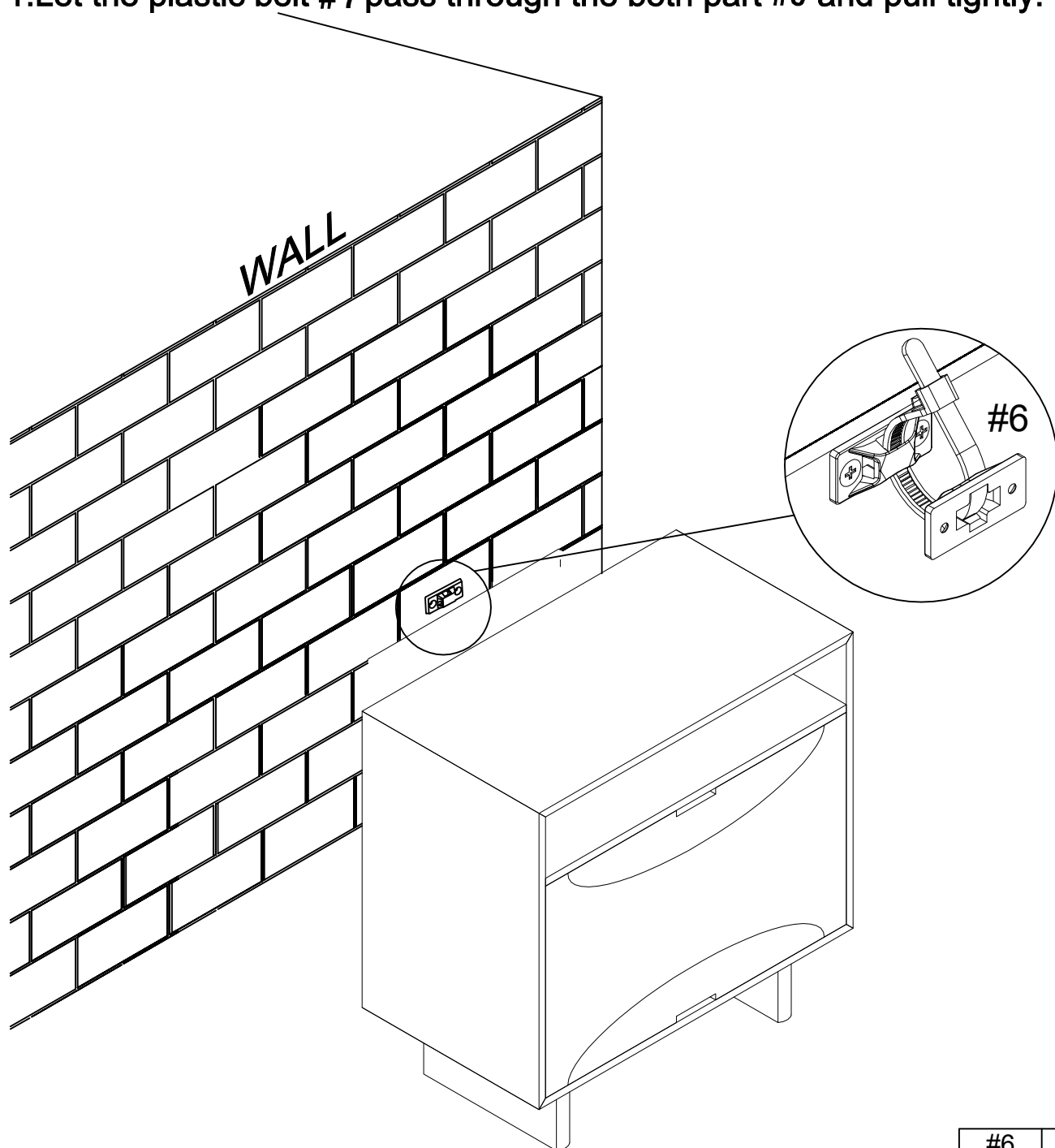



#5	x4	#7	x2	#9	x4	#11	x1
							
				4x35mm			

ASSEMBLY INSTRUCTIONS

STEP-9

1. Let the plastic belt # 7 pass through the both part #6 and pull tightly.



#6	x2
	

WARRANTY

1. We strive to offer high-quality products, and we also try our best to satisfy each and every customer that orders from us with product or service as needed.
2. We provide 30 days warranty starting from the time you receive the item. Each customer must provide a record of their order such as the order number, or item receipt for any items that are out of the warranty period you may also still receive.
3. Replacement parts by purchasing them with our company if they are available.

Are you having difficulty
With assembly? Missing parts?
Please send email with your order No to
customerservice@hulalahome.com
For return, please check the return policy with
the retailer or market place you bought from.

Appreciate your purchasing from us.
Pop up your life by our furniture piece!