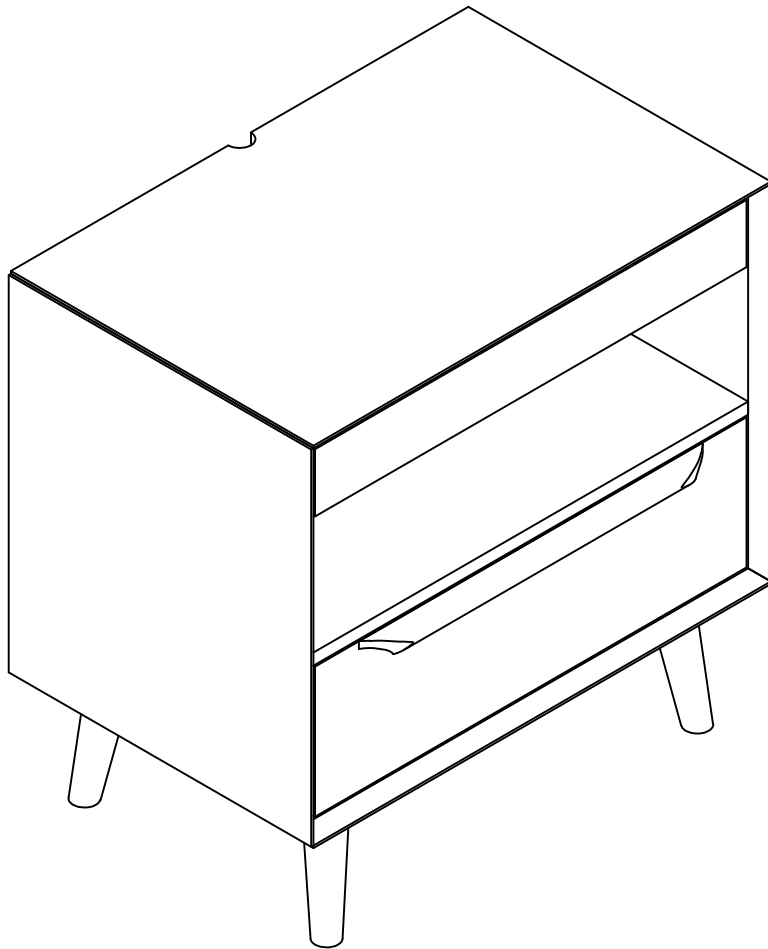


HULALA

H O M E



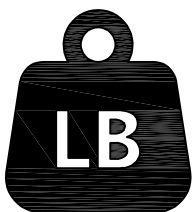
ITEM NO.NSHM1180

NOTE:

This brochure contains **IMPORTANT** safty info. Please read and keep for future reference.

MAINTAINANCE AND WARNING

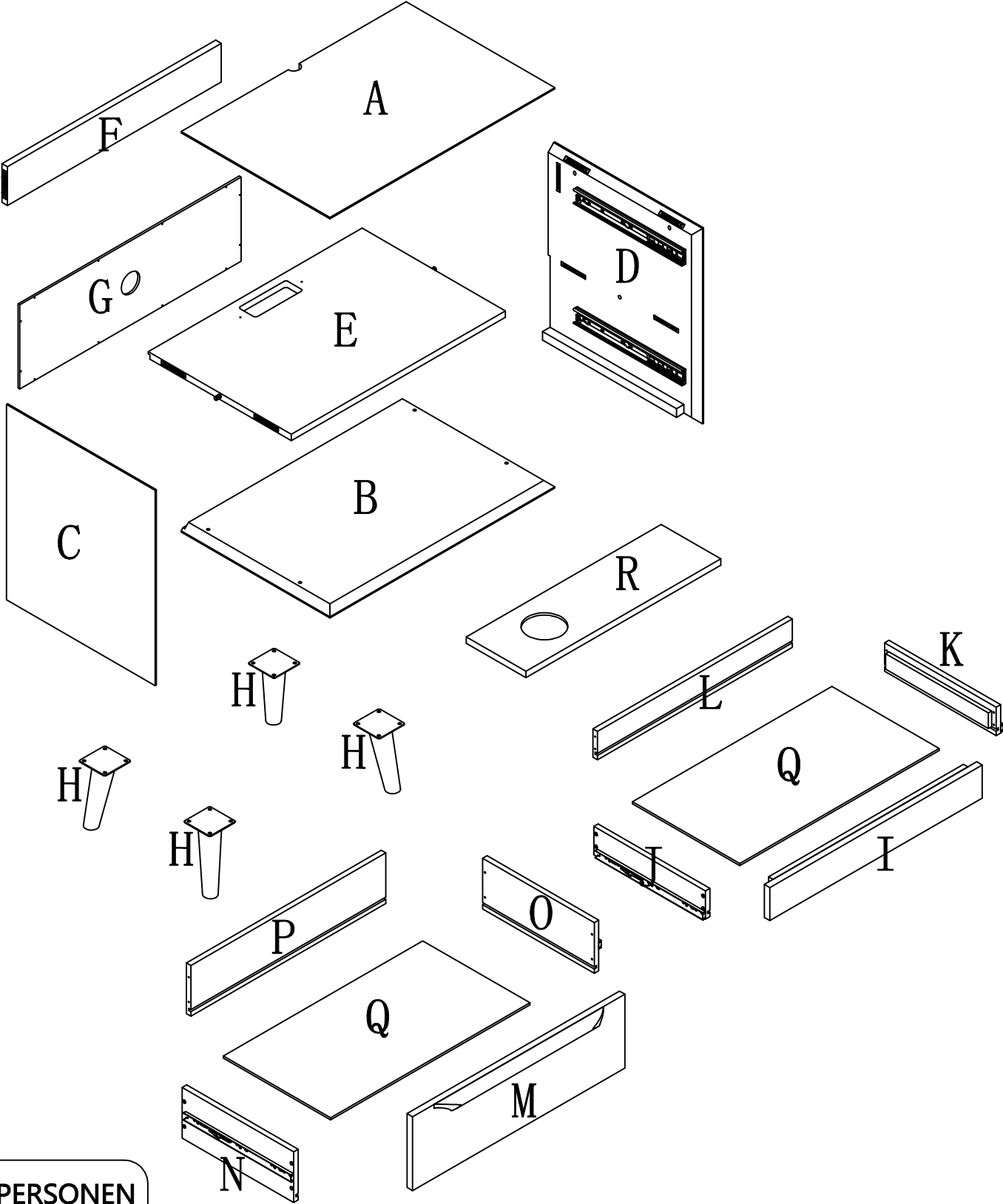
- 1.Keep furniture away from heat sources.
- 2.Do not clean furniture with harsh cleaner or polishes.Do not use detergents,solvents,abrasives,spray packs or leather cleaner. Use non-color mild soa with warm water to clean spills(Mix 1:10 soap to water).
- 3.Do not place furniture under direct sunlight,material will possibly fade over time.
- 4.Do not use on site dry cleaning machine.Children should not climb or jump on the furniture.
- 5.Do not write on furniture that is not protectedby a padded barrier.
- 6.Not for commercial use,only for residential use.



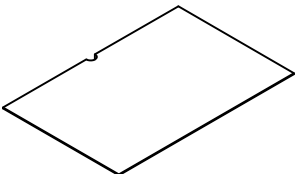
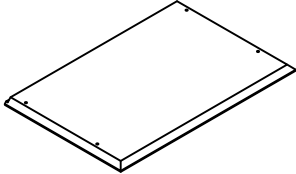
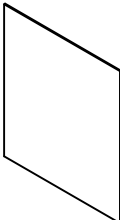
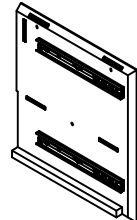
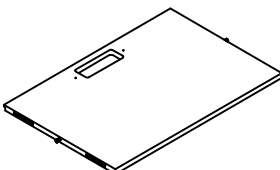
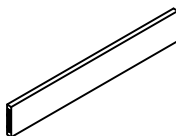
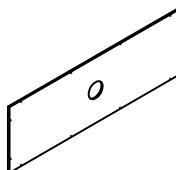

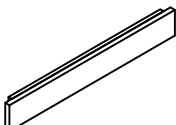


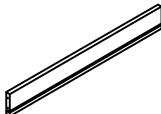
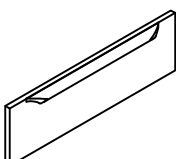
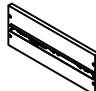
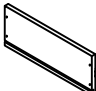
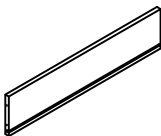
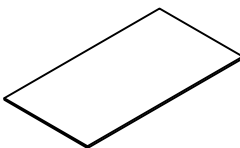
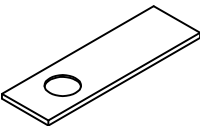
Weight Limitation

80 LBS

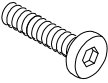
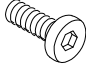


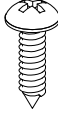
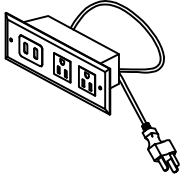


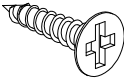
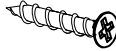



EXPLOSIVE VIEW



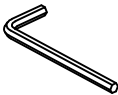
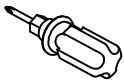
PARTS LIST

A	x1	B	x1	C	x1	D	x1
							
E	x1	F	x1	G	x1	H	x4
							
I	x1	J	x1	K	x1	L	x1
							
M	x1	N	x1	O	x1	P	x1
							
Q	x2	R	x1				
							

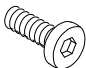


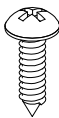
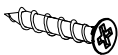
HARDWARE LIST

#1	x4	#2	x16	#3	x16	#4	x16	#5	x12	#6	x1
											
φ1/4"*1"		φ1/4"*1/2"		φ1/4"		φ1/4"		φ3*14mm			
#7	x2	#8	x4	#9	x4	#10	x16	#11	x4	#12	x4
											
φ3*12mm				φ3.5*14mm*7#		φ8#*1"					
#13	x2										
											

TOOL LIST

#14	x1	#15	x1
			
M4			

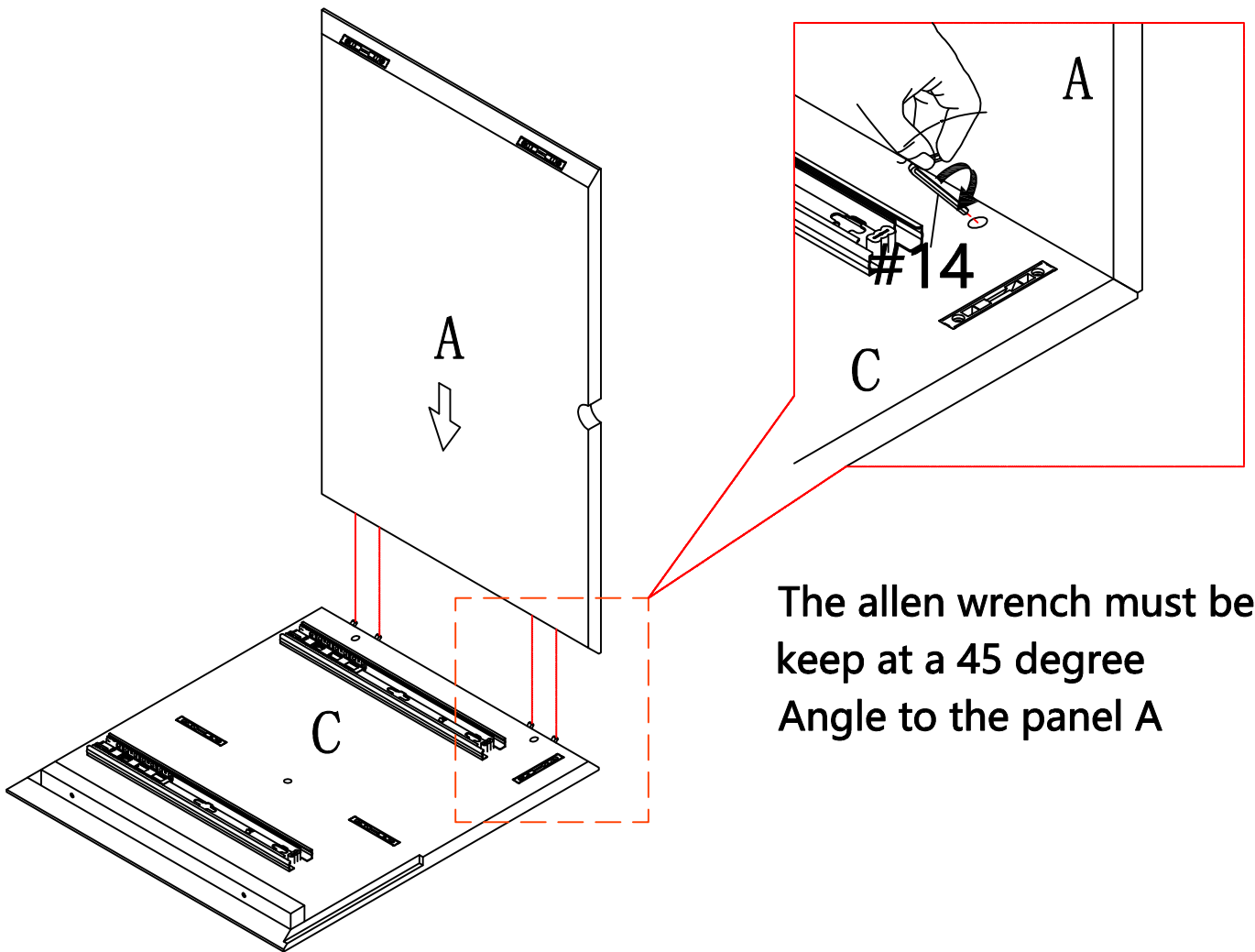
HARDWARE SPARE LIST

#2	x1	#3	x1	#4	x1	#5	x1	#10	x1
									
φ1/4"*1/2"		φ1/4"		φ1/4"		φ3*14mm		φ8#*1"	

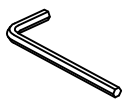
ASSEMBLY INSTRUCTIONS

STEP-1

1.insert part (A) to part (C), make sure all holes aligned and tight with allen wrench #14.



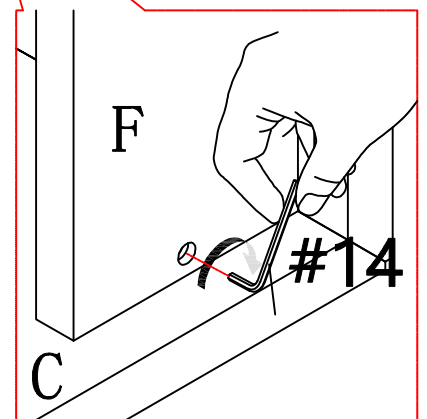
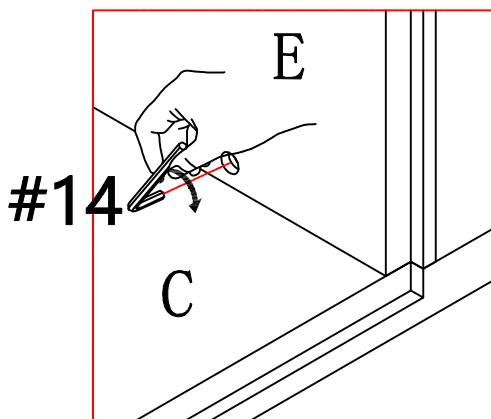
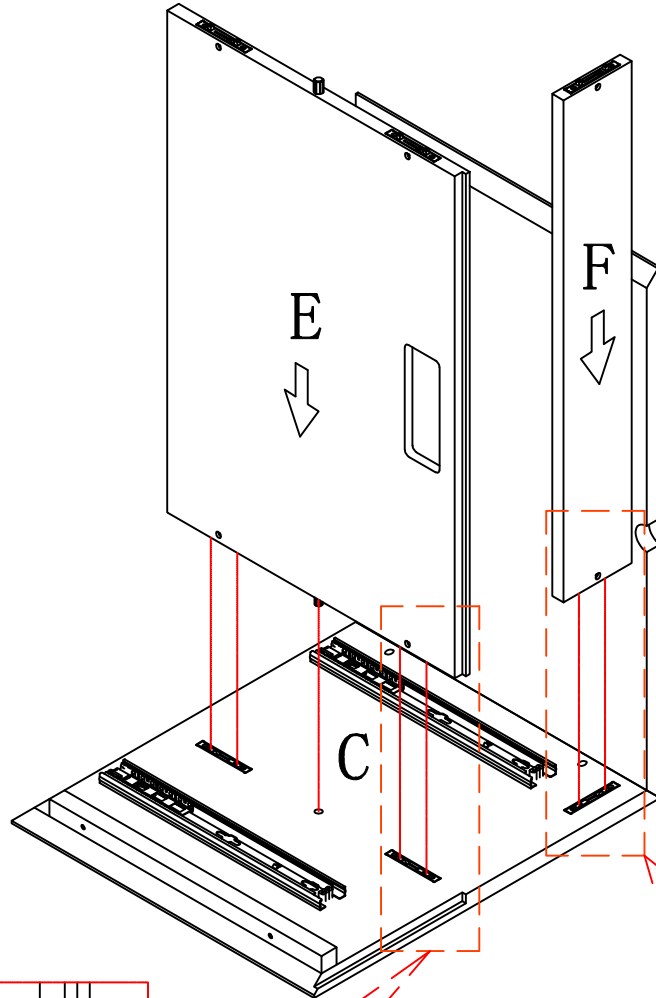
The allen wrench must be keep at a 45 degree Angle to the panel A

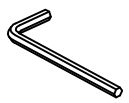
#14	x1
	
M4	

ASSEMBLY INSTRUCTIONS

STEP-2

1.insert part (E/F) to part (C) , make sure all holes aligned and tight with allen wrench #14.



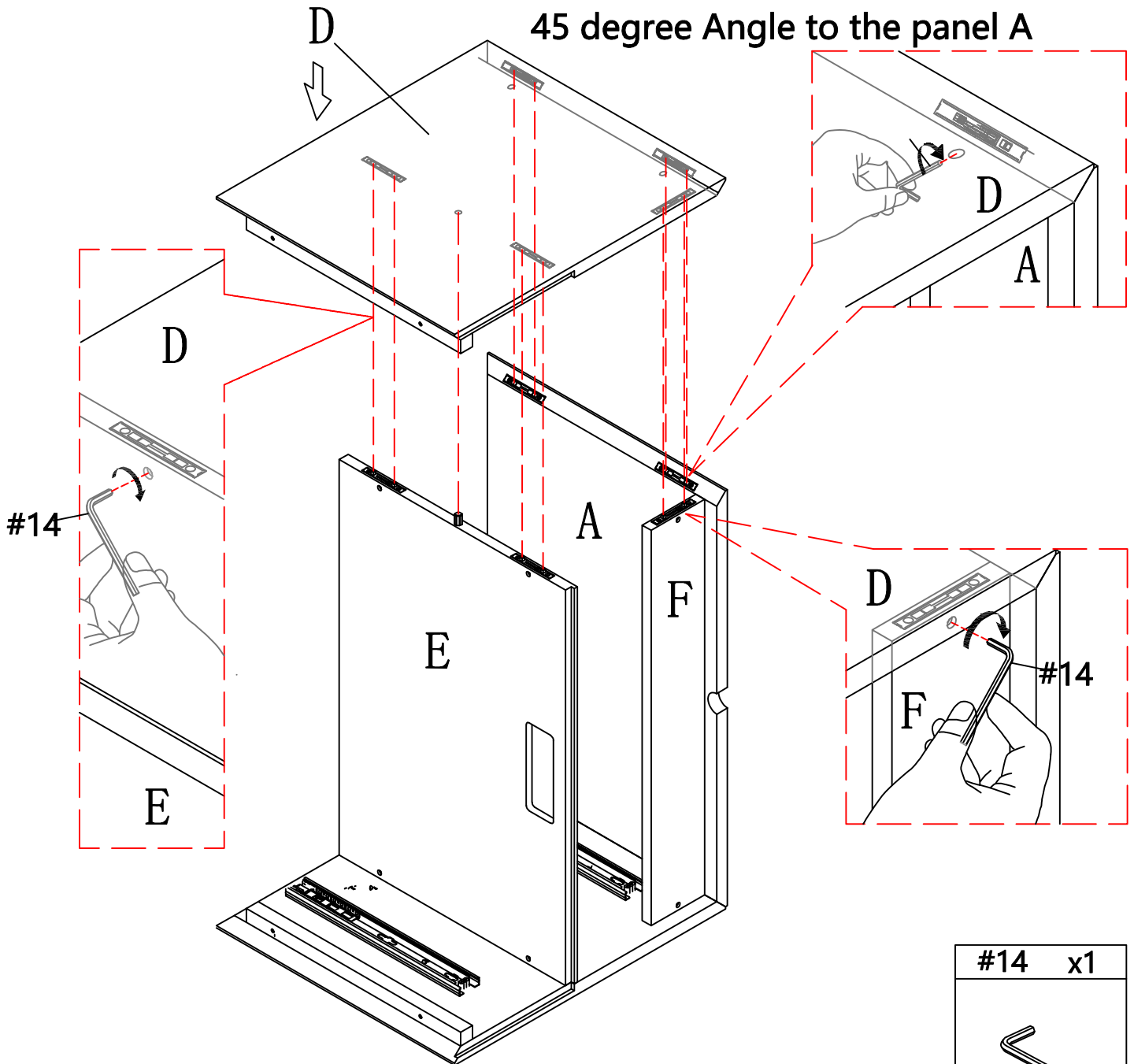
#14	x1
	
M4	

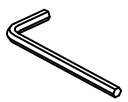
ASSEMBLY INSTRUCTIONS

STEP-3

1.insert part (D) to part (A/E/F) ,make sure all holes aligned and tight with allen wrench#14.

The allen wrench must be keep at a 45 degree Angle to the panel A

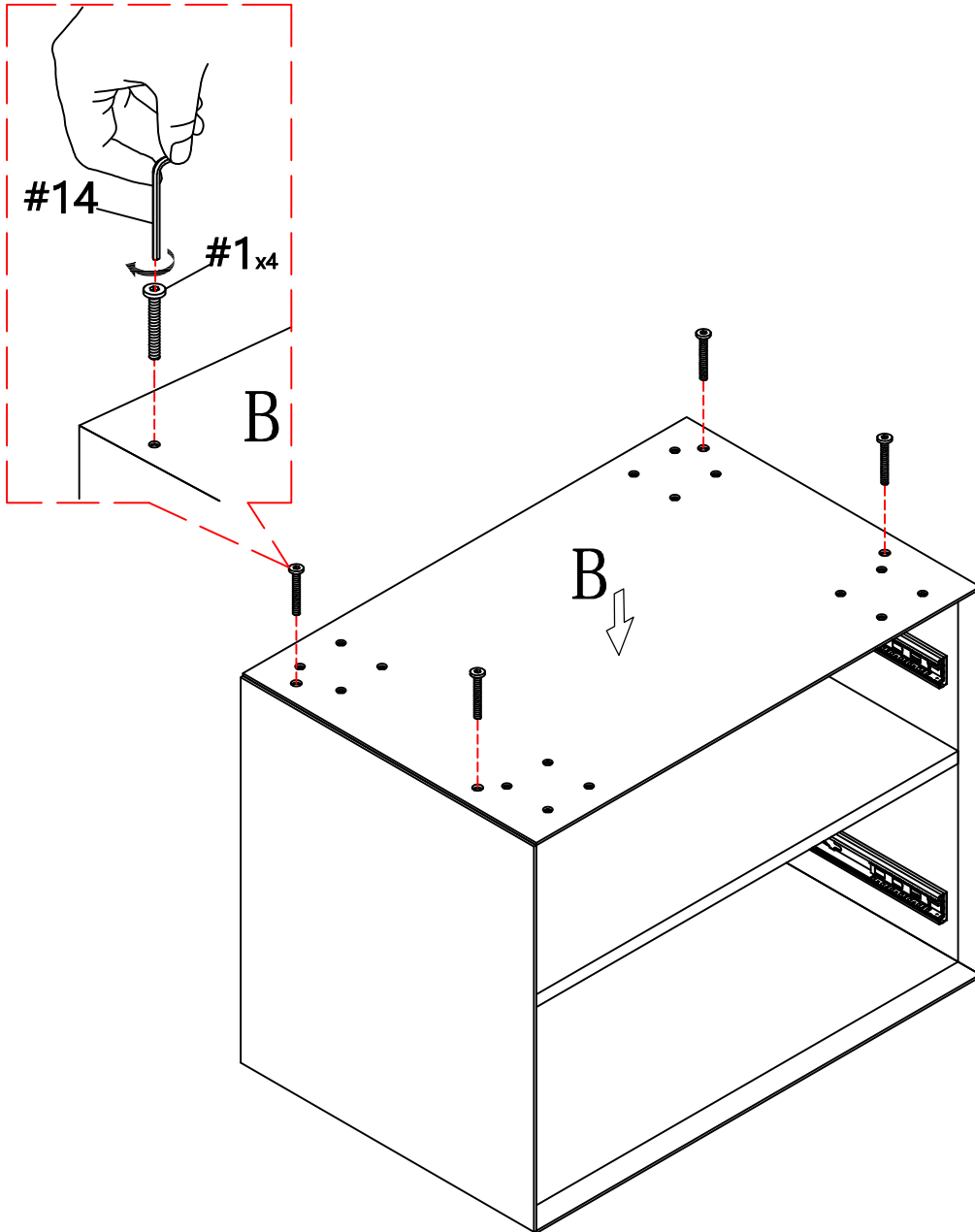


#14	x1
	
M4	

ASSEMBLY INSTRUCTIONS

STEP-4

1. connect part (B) to the unit pre-assembled at step 3 with bolt #1 and tight with allen wrench #14.



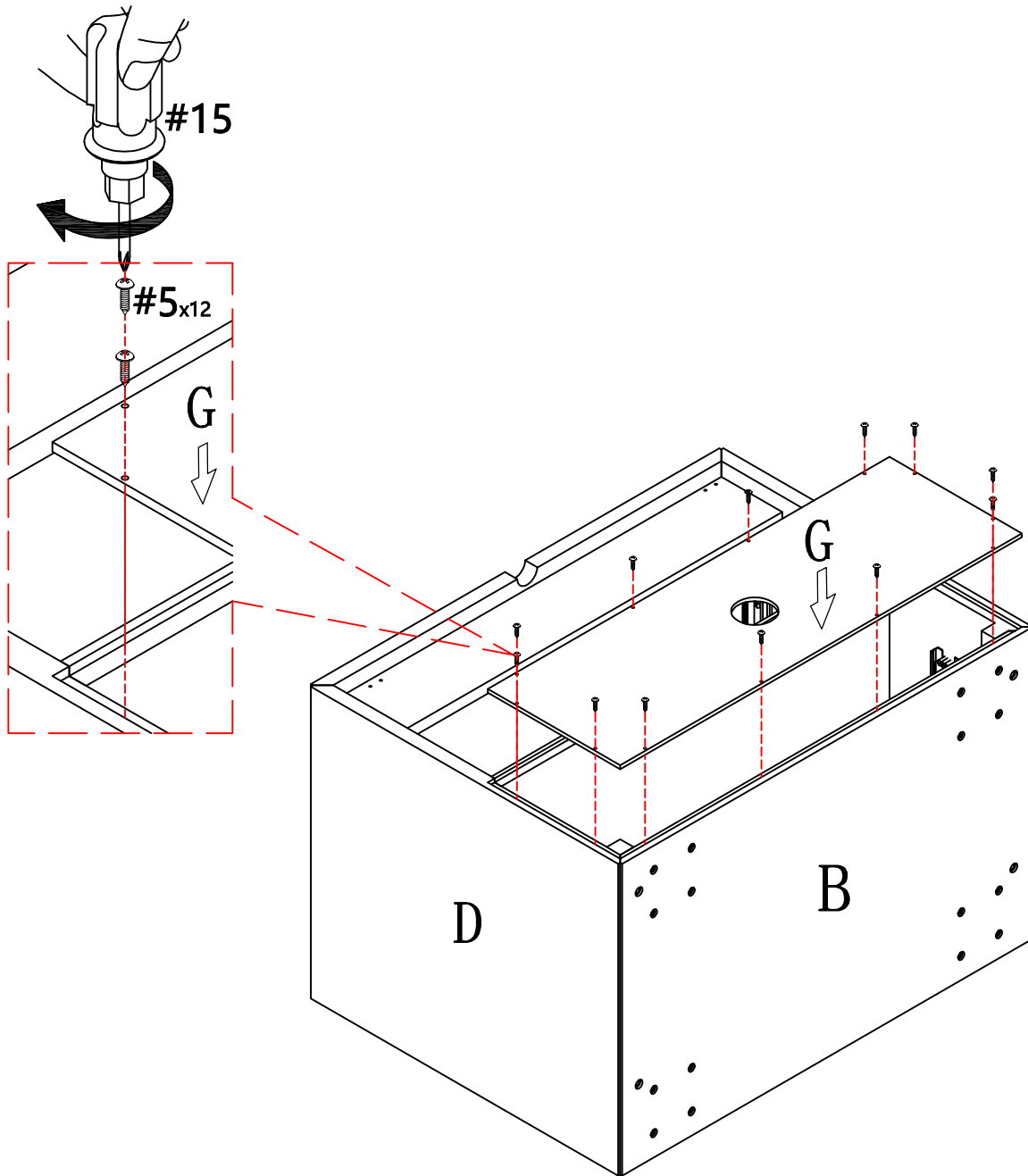
#1	x4
Ø1/4"*1"	

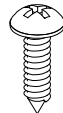
#14	x1
09/23	

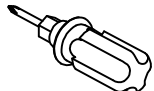
ASSEMBLY INSTRUCTIONS

STEP-5

1. connect part (G) to the unit pre-assembled at step 4 with screw #5 and tight screw with screwdriver #15.



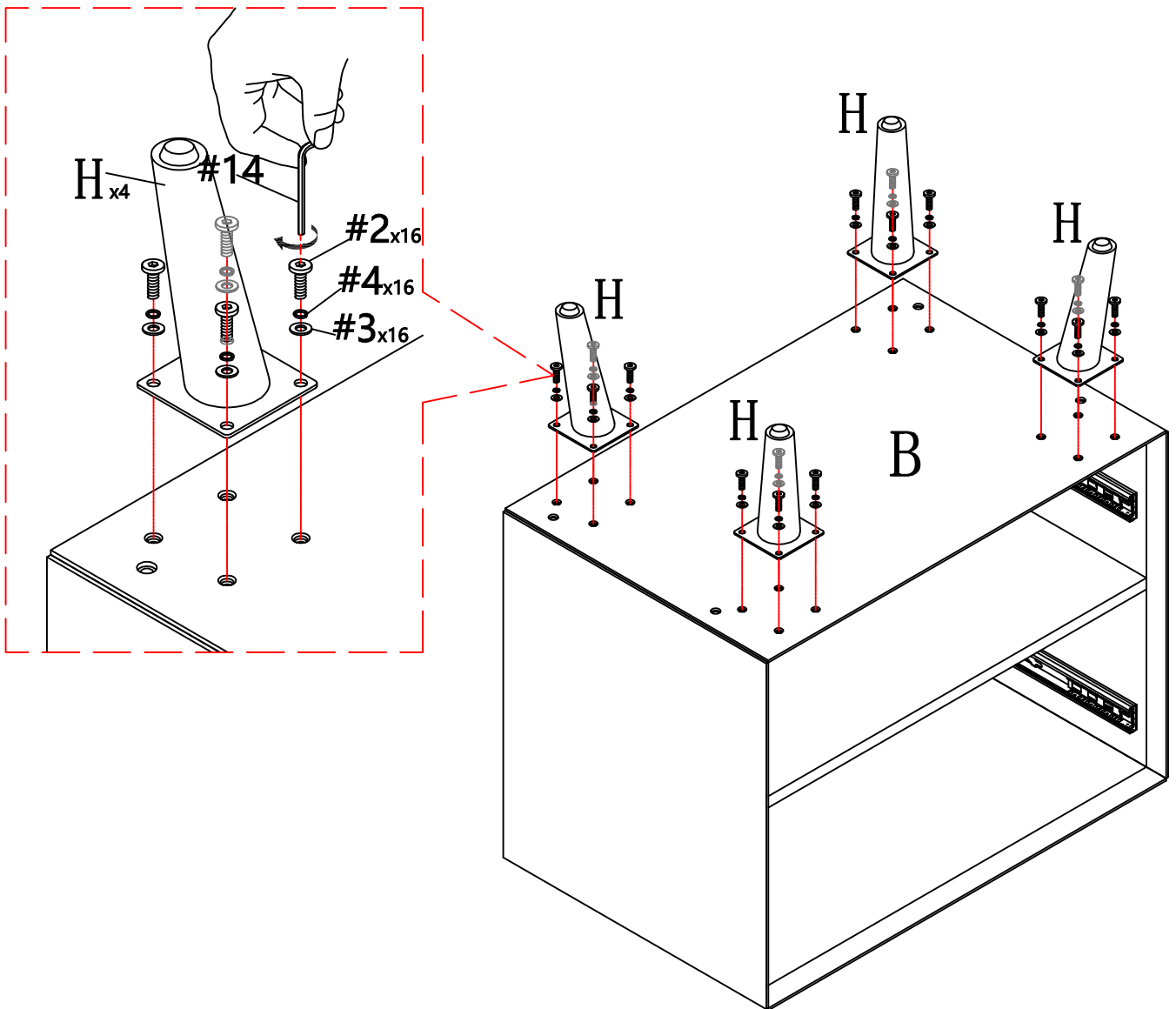
#5	x12
	
ø3*14mm	

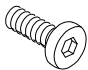


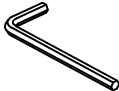
#15	x1
	

ASSEMBLY INSTRUCTIONS

STEP-6

1. connect part(H) to the unit pre-assembled at step 5 with bolt #2, flat washer #3 and spring washer #4.



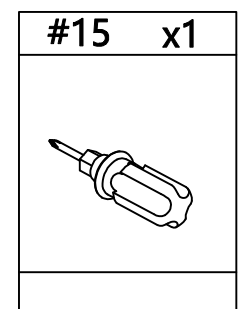
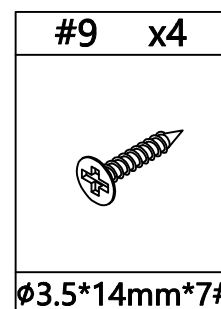
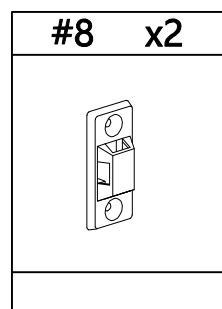
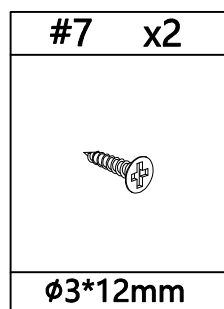
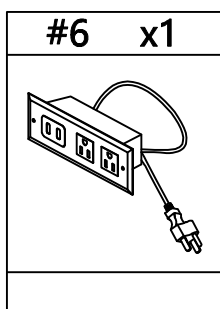
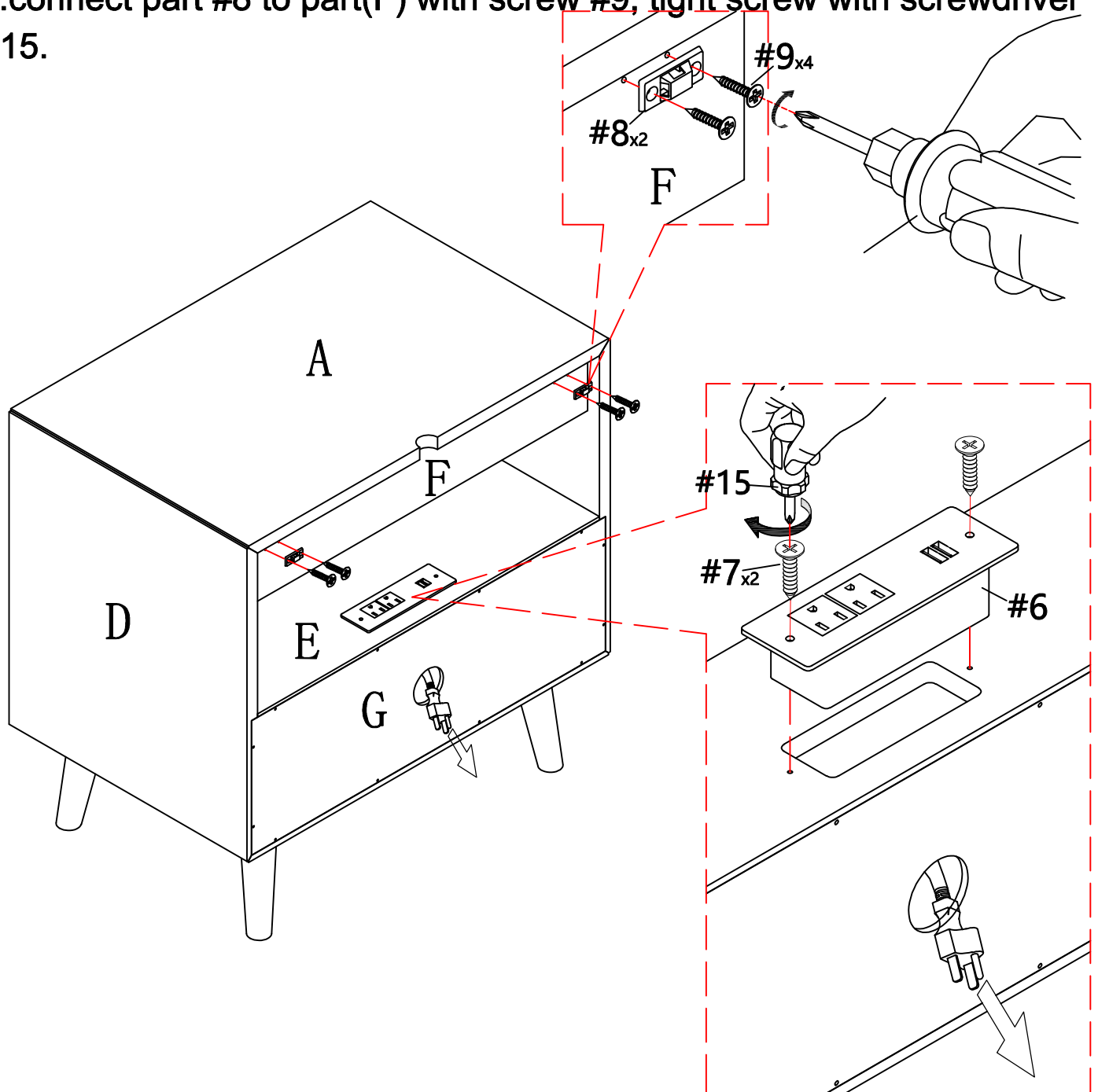
#2	x16	#3	x16	#4	x16	#14	x1
							
$\phi 1/4" \times 1/2"$		$\phi 1/4"$		$\phi 1/4"$		M4	

ASSEMBLY INSTRUCTIONS

STEP-7

1. connect part #6 to part (E) with screw #7, tight screw with screwdriver #15.

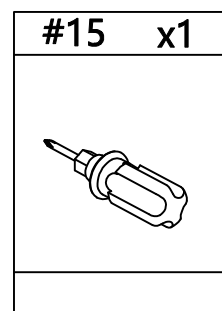
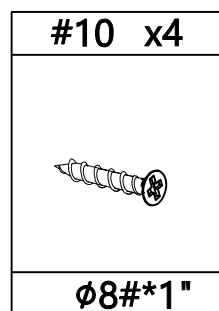
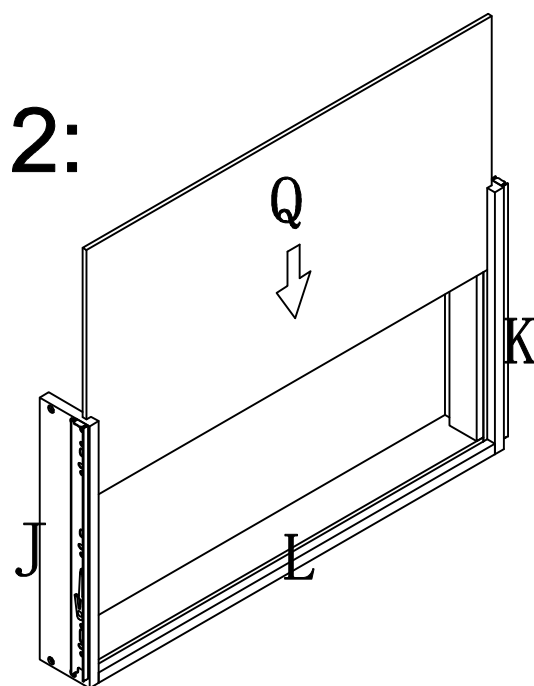
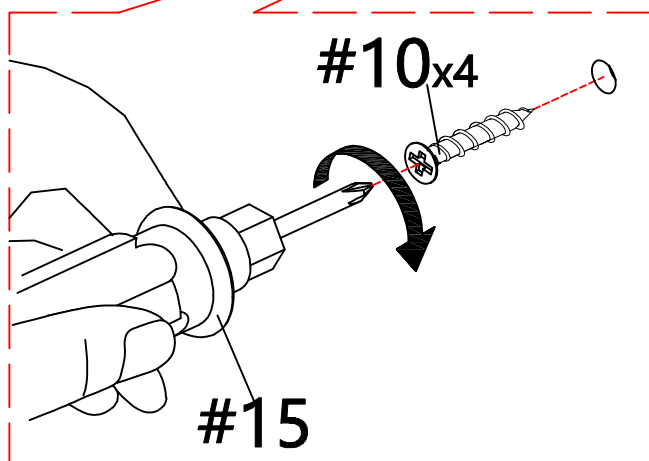
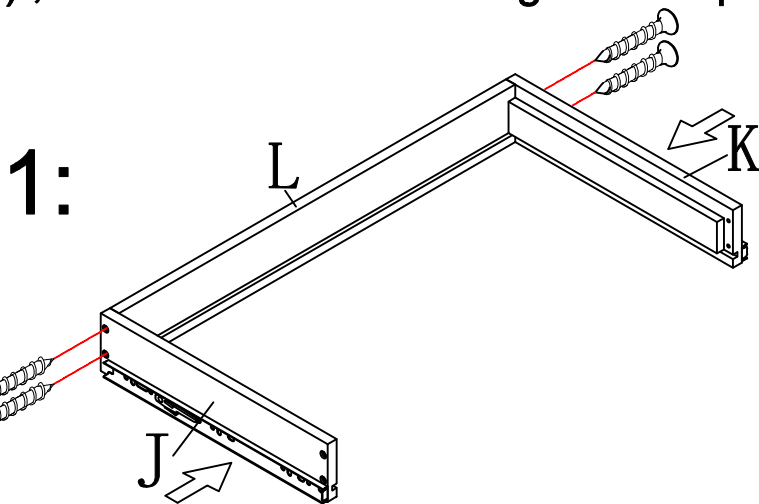
2. connect part #8 to part(F) with screw #9, tight screw with screwdriver #15.



ASSEMBLY INSTRUCTIONS

STEP-8

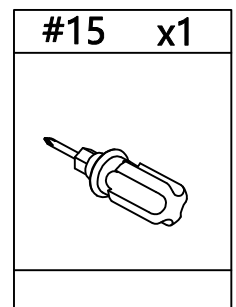
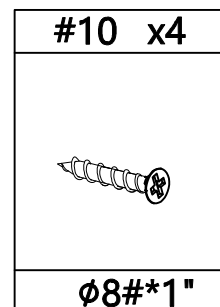
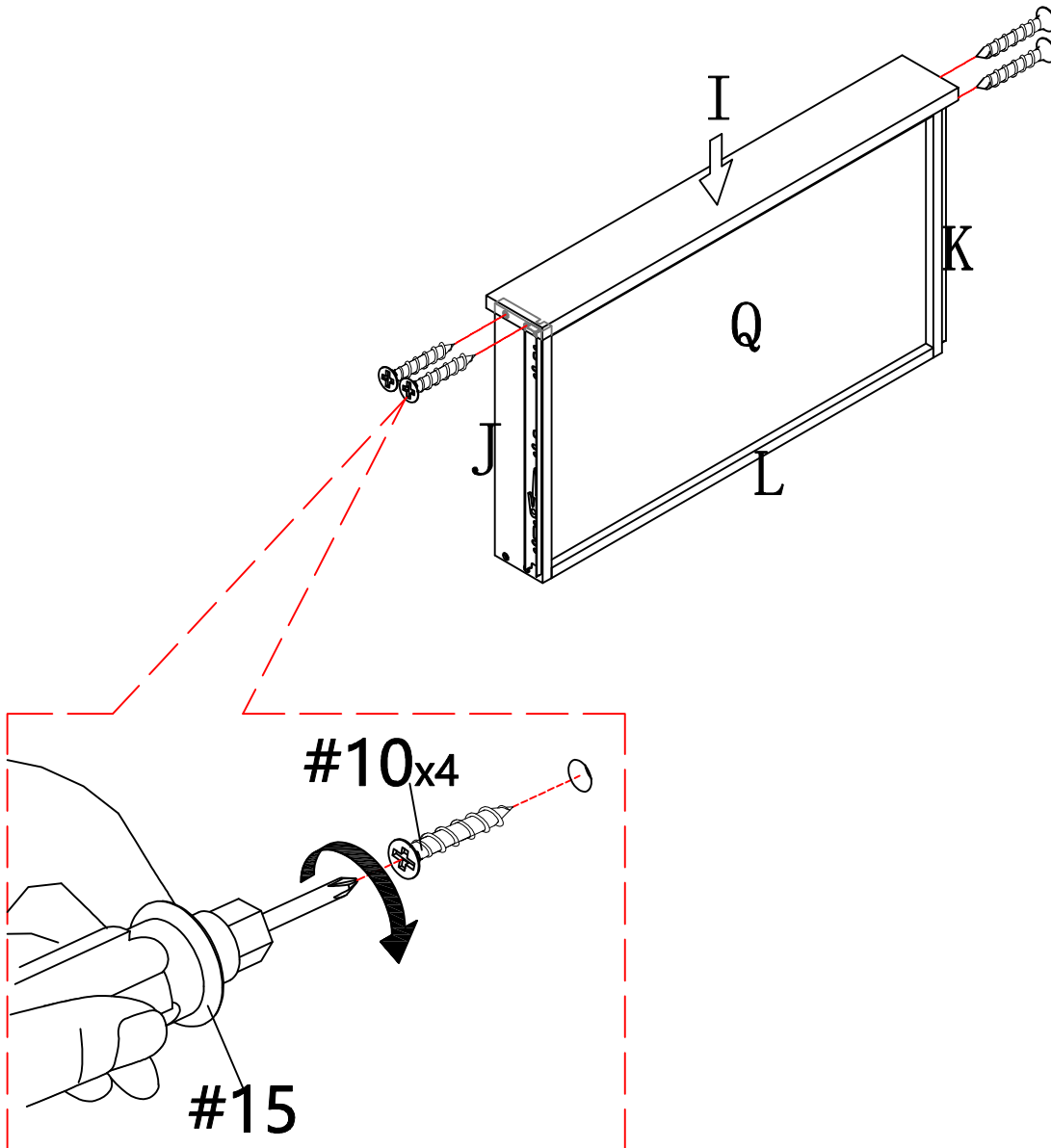
1. connect part (J/K) to part (L) with screw #10, tight screw with screwdriver #15.
2. slide part (Q) to part (J/K), make sure it also in the groove of part (L).



ASSEMBLY INSTRUCTIONS

STEP-9

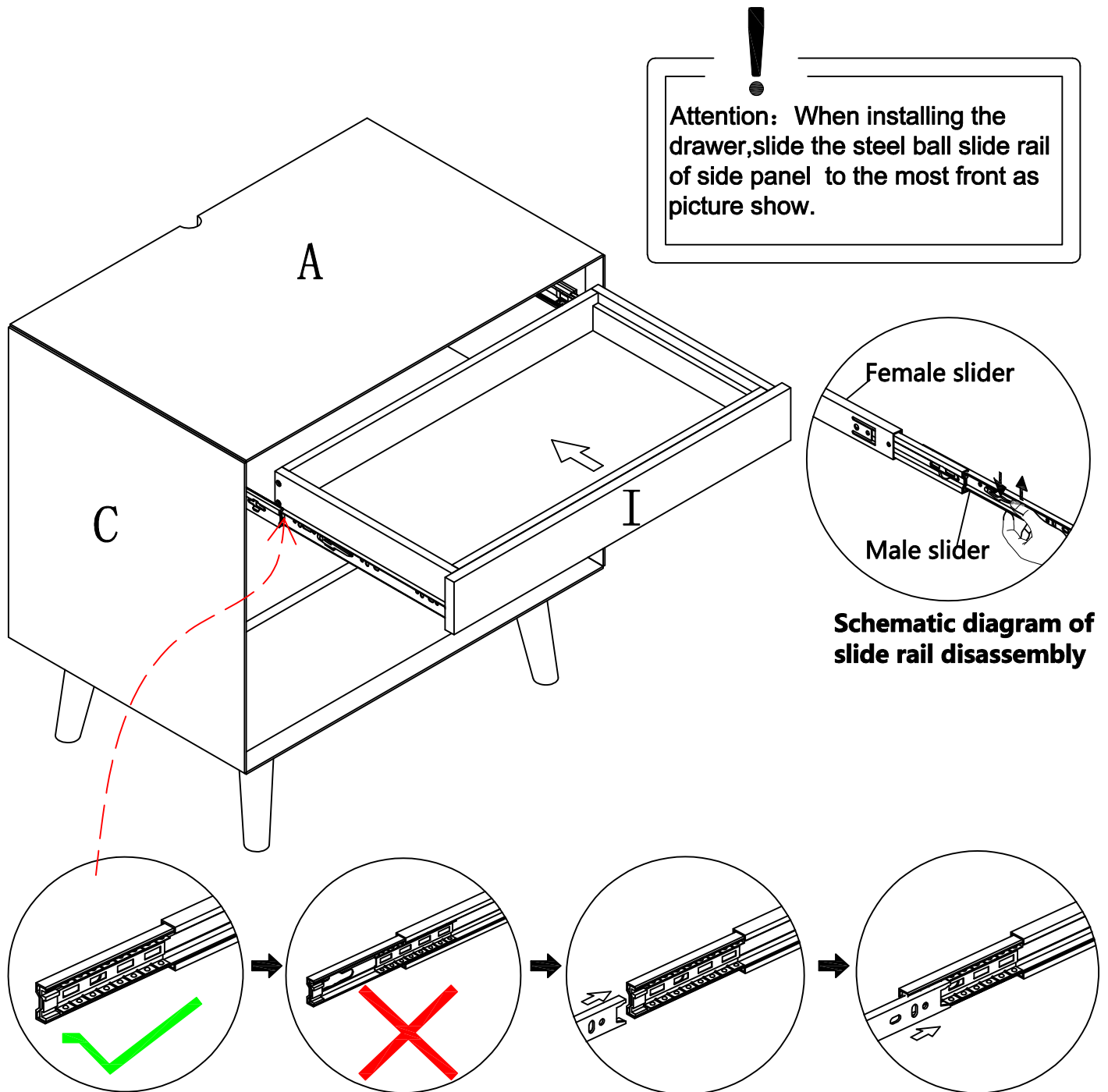
1. connect part (I) to part (J/K) with screw #10, tight screw with screwdriver #15.



ASSEMBLY INSTRUCTIONS

STEP-10

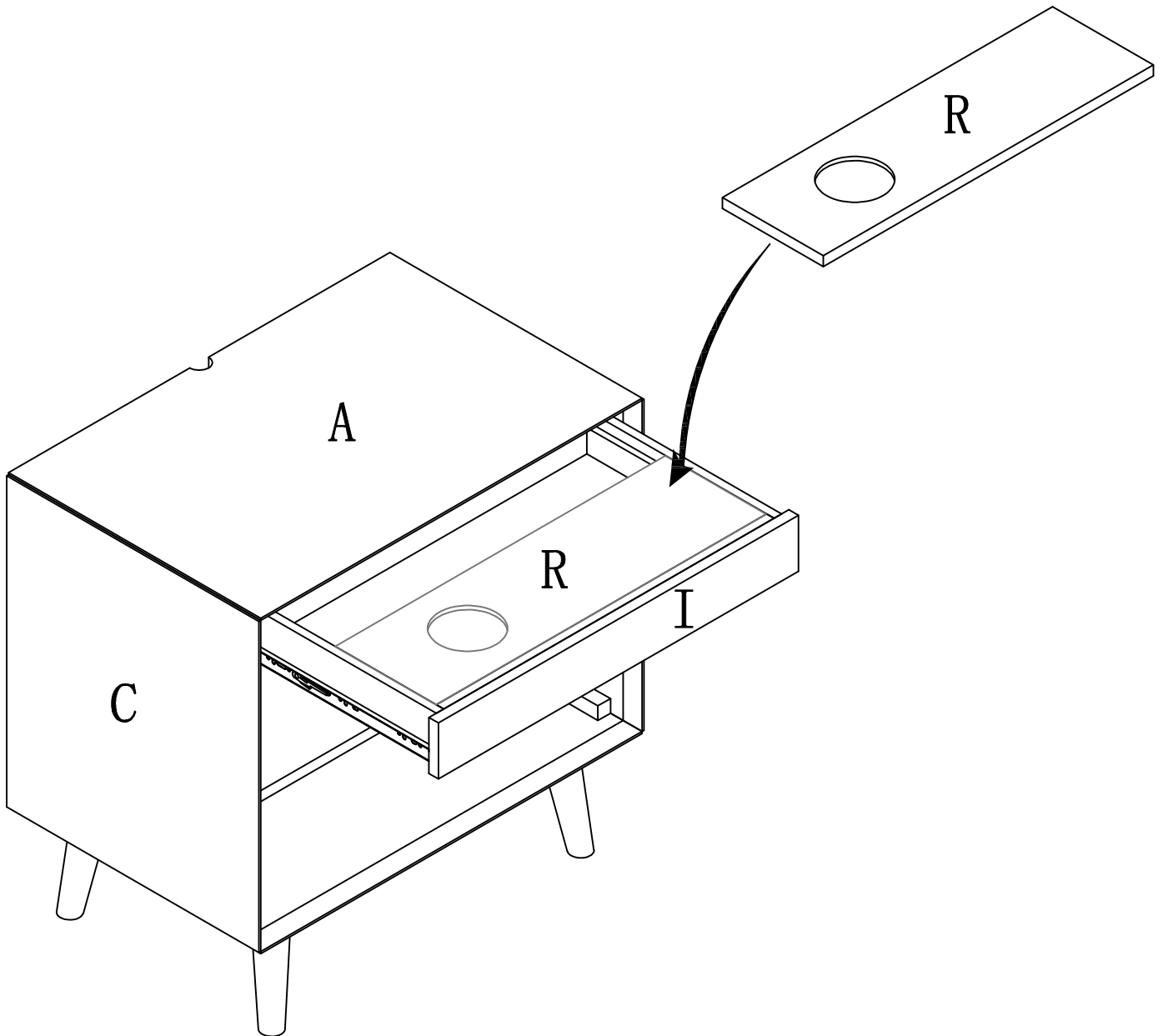
1.attach top drawer to the unit pre-assembled at step 7.



ASSEMBLY INSTRUCTIONS

STEP-11

1. attach part (R) to top drawer with hand.

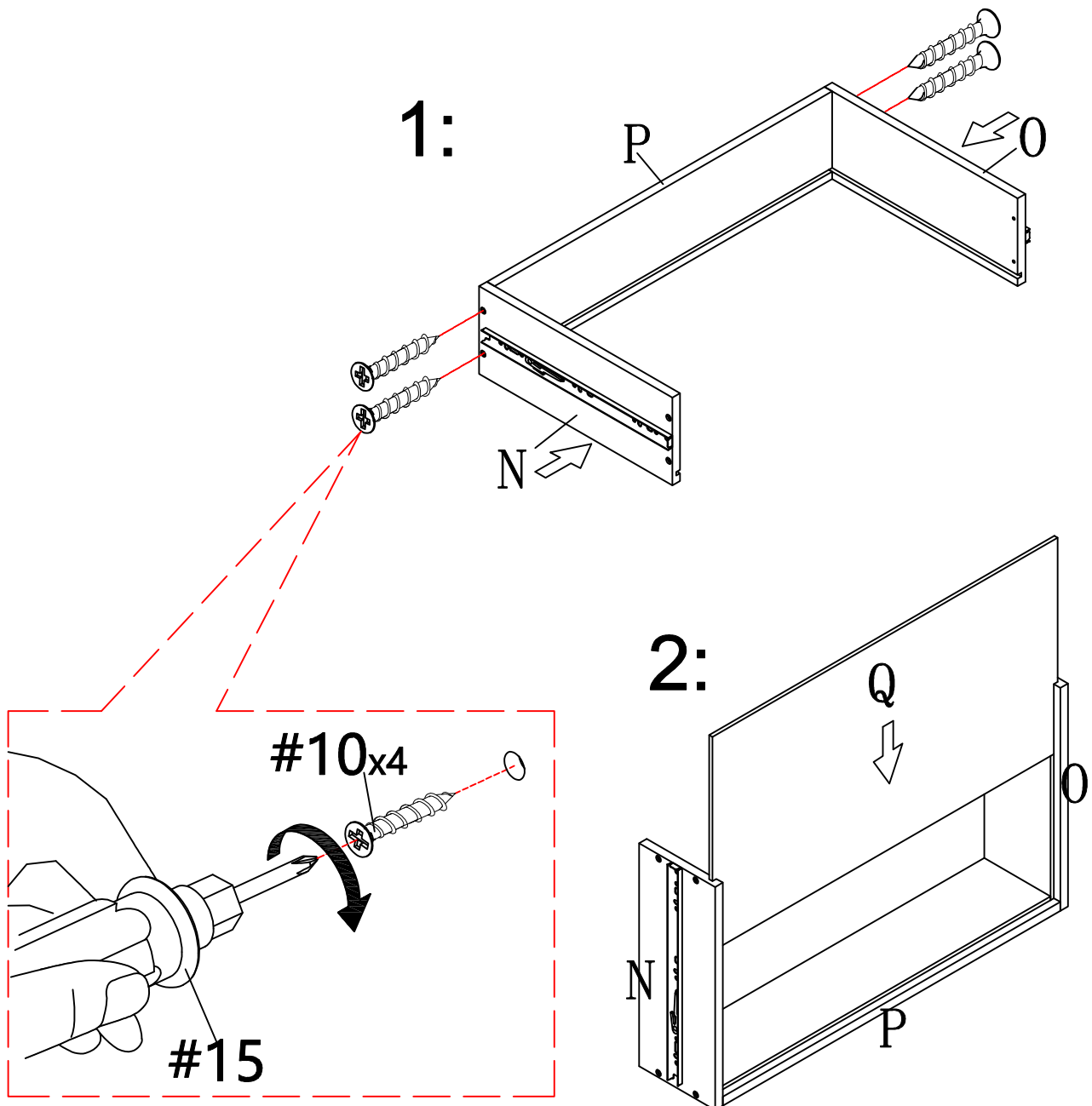


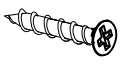
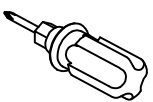
ASSEMBLY INSTRUCTIONS

STEP-12

1. connect part (O/N) to part (P) with screw #10, tight screw with screwdriver #15.

2. slide part (Q) to part (O/N) , make sure it also in the groove of part (P).

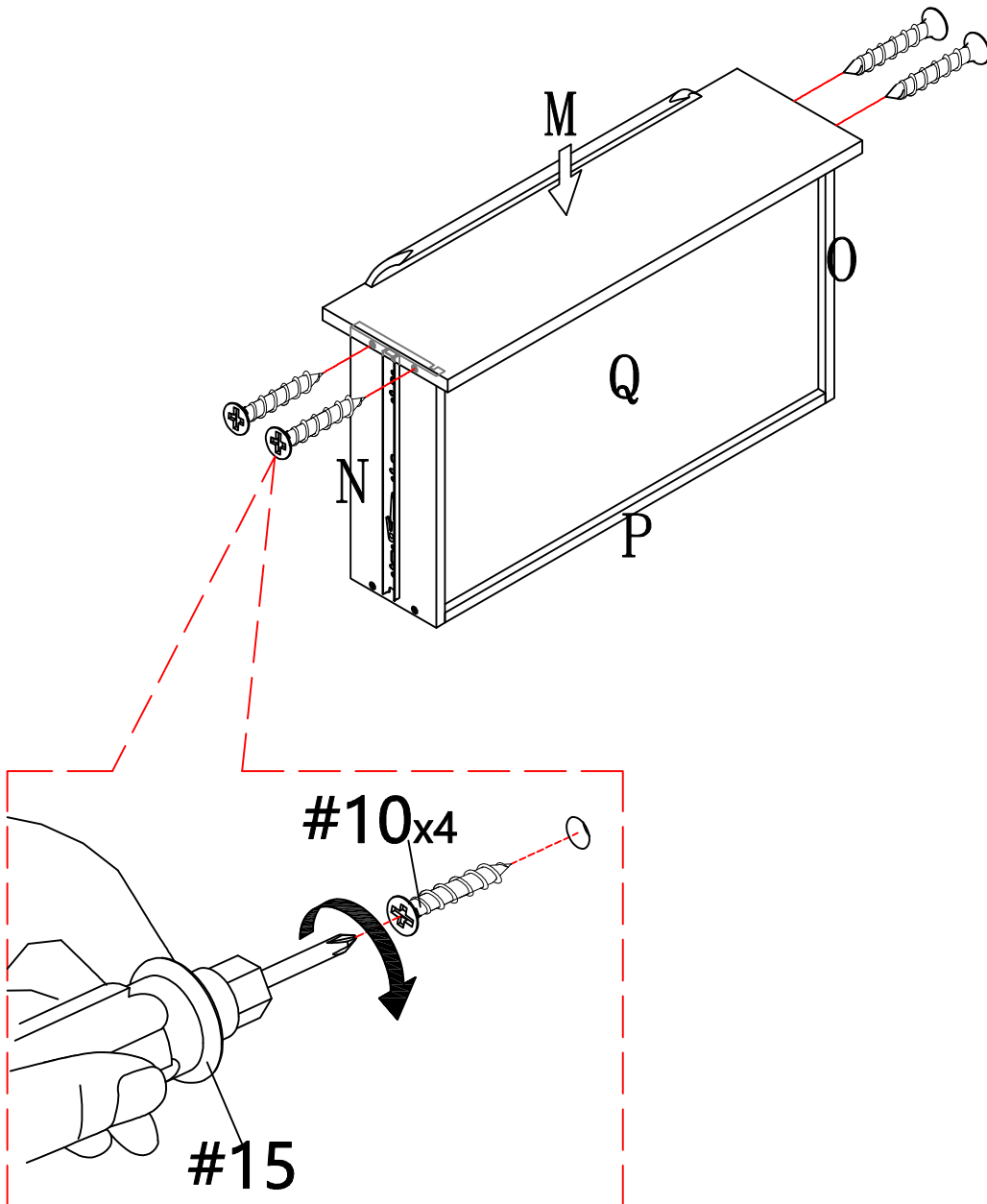


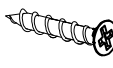
#10 x4	#15 x1
	
φ8#*1"	

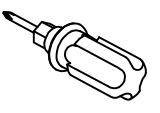
ASSEMBLY INSTRUCTIONS

STEP-13

1. connect part (M) to part (N/O) with screw #10, tight screw with screwdriver #15.



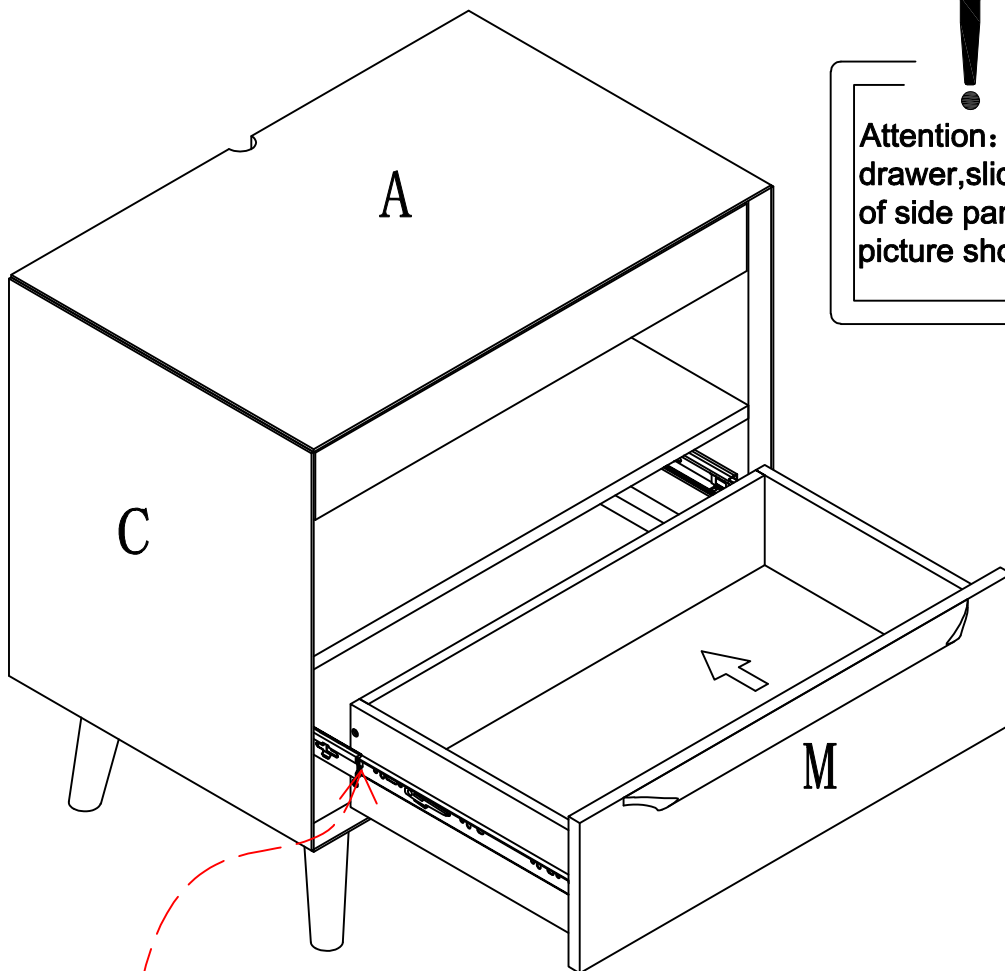
#10 x4

φ8#*1"

#15 x1


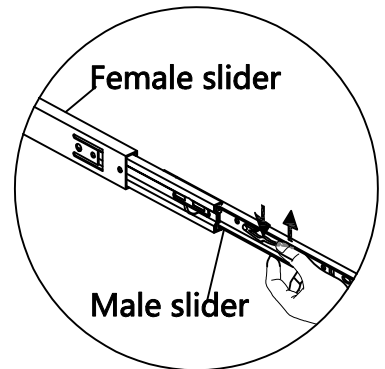
ASSEMBLY INSTRUCTIONS

STEP-14

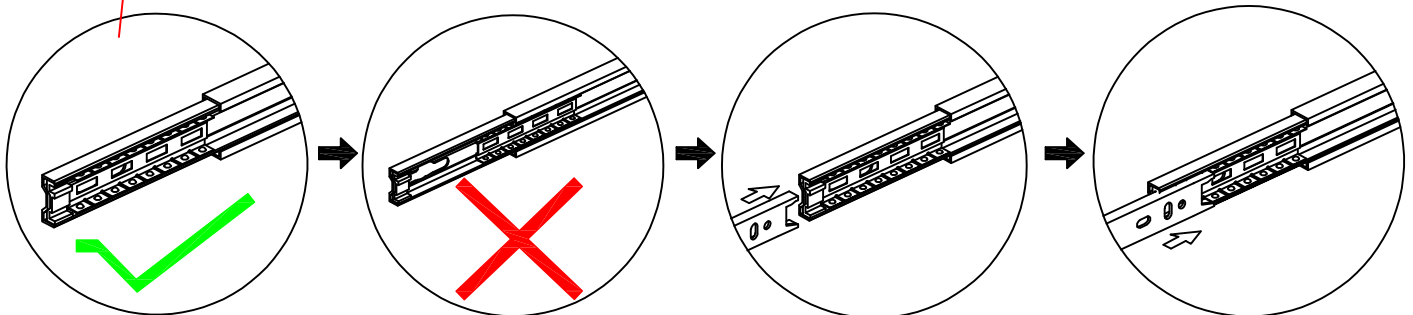
1. attach bottom drawer to the unit pre-assembled at step 11.



!
Attention: When installing the drawer, slide the steel ball slide rail of side panel to the most front as picture show.



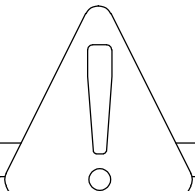
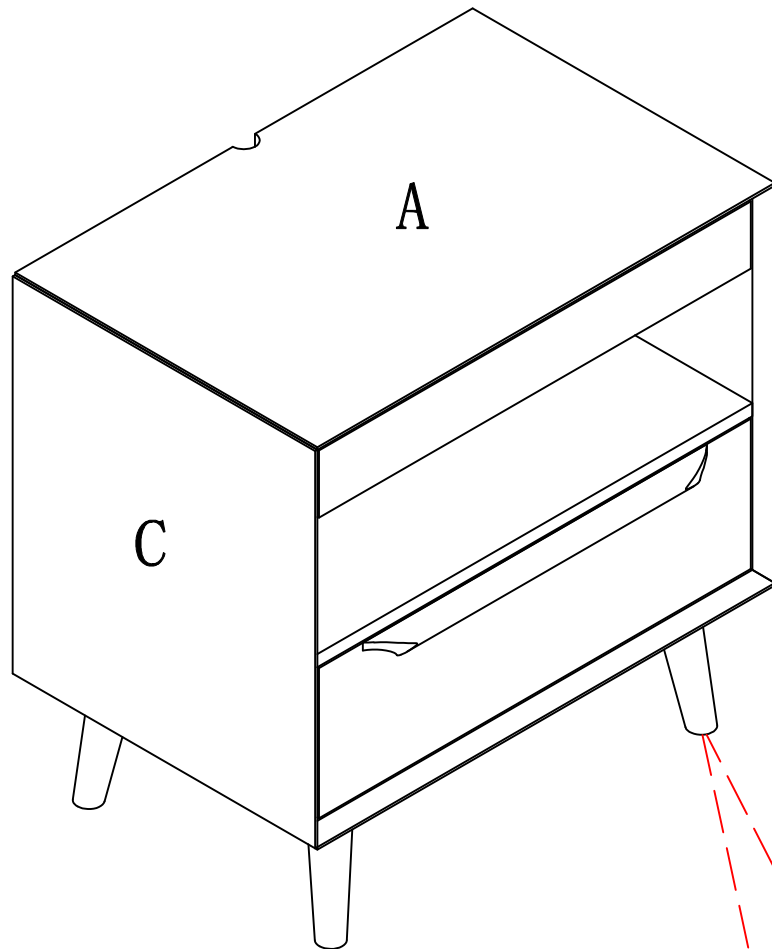
Schematic diagram of slide rail disassembly



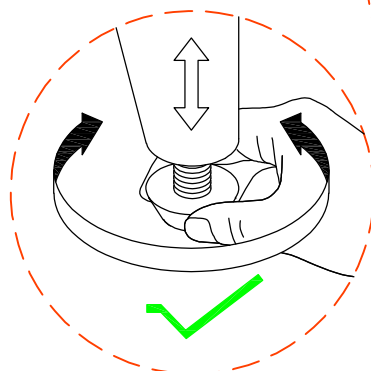
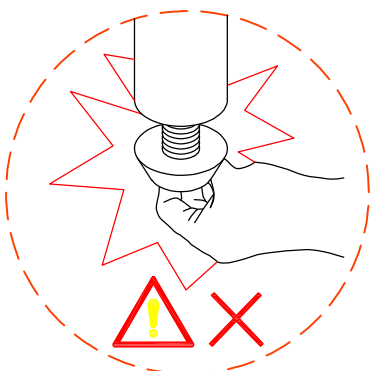
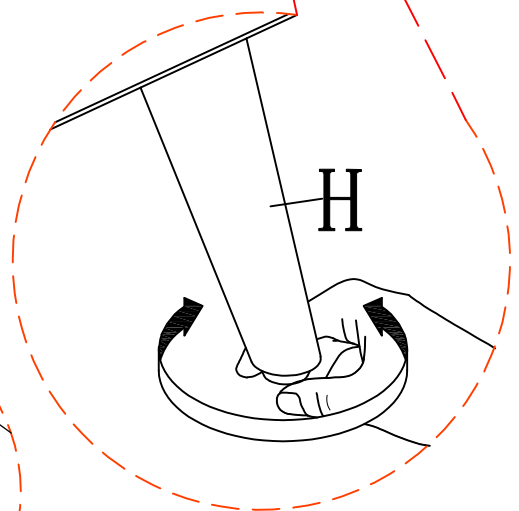
ASSEMBLY INSTRUCTIONS

STEP-15

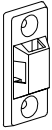


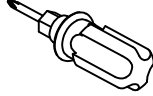
1.



Attention:
Before the next step, adjust the feet of the locker to keep it level.



ASSEMBLY INSTRUCTIONS

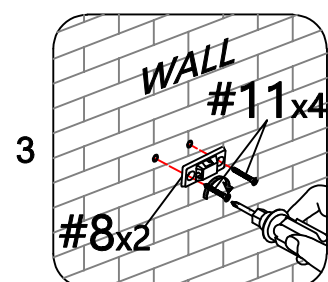
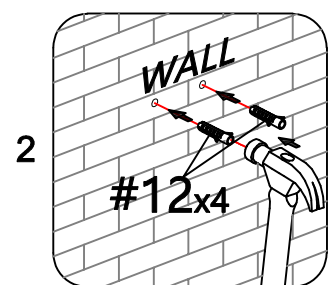
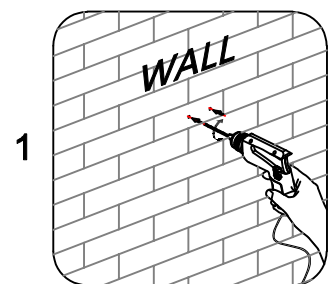
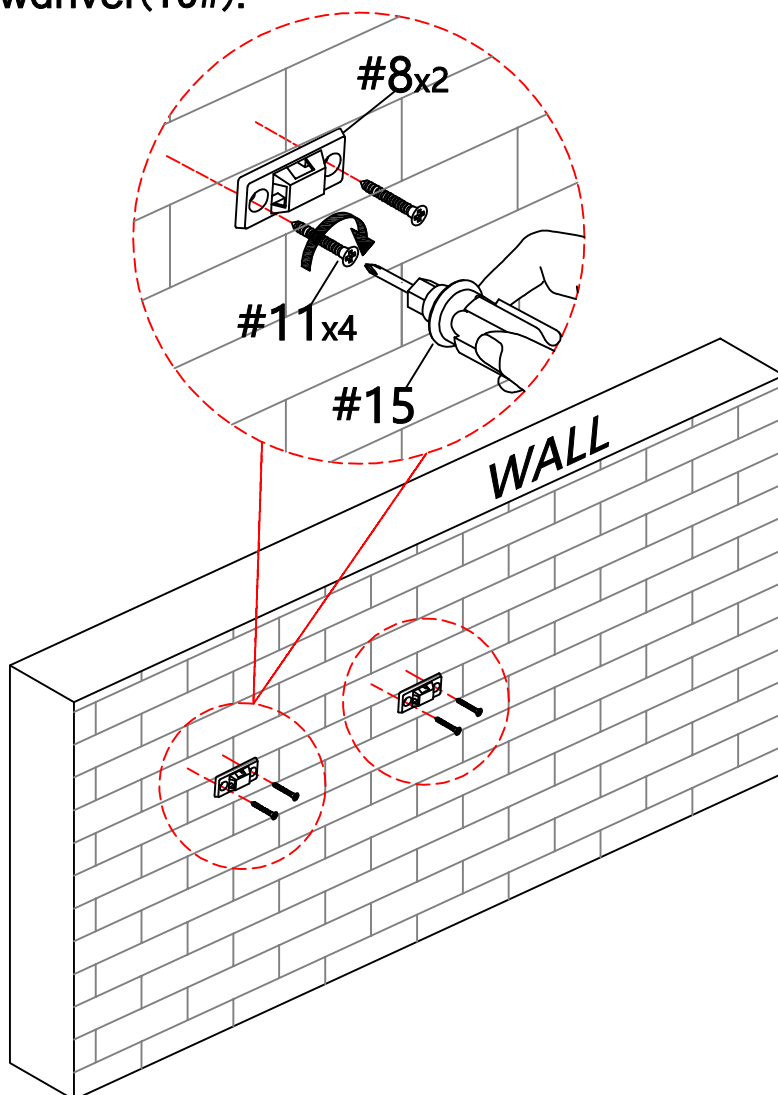
#8	x2	#11	x4	#12	x4	#15	x1
							
		Ø3.5*35mm*7#					

STEP-16

1. Install the anti-collapse device.

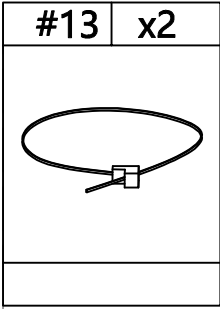
2. Mark the position on the wall, that corresponds to the location of part (8#) on the panel (F); Drill and insert the expandable screw (12#) by hammer.

3. Assemble the part (8#) to the wall. Align the hole in the part (8#) with the expandable screw (12#), use screw (11#) to attach it and tighten by screwdriver(15#).

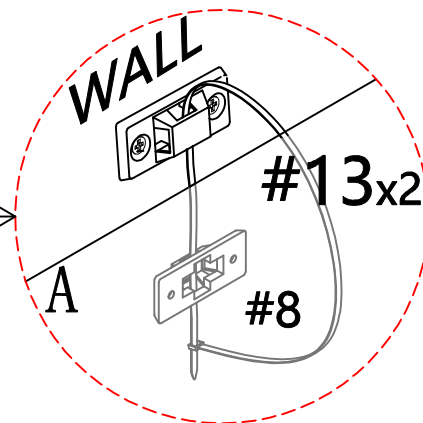
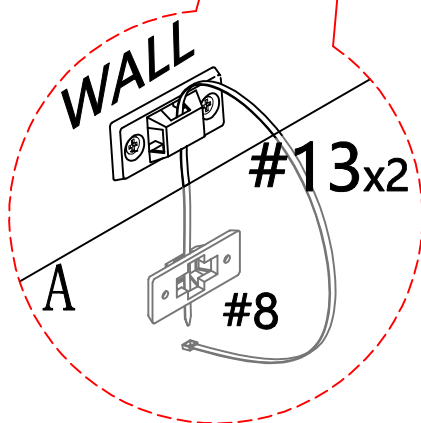
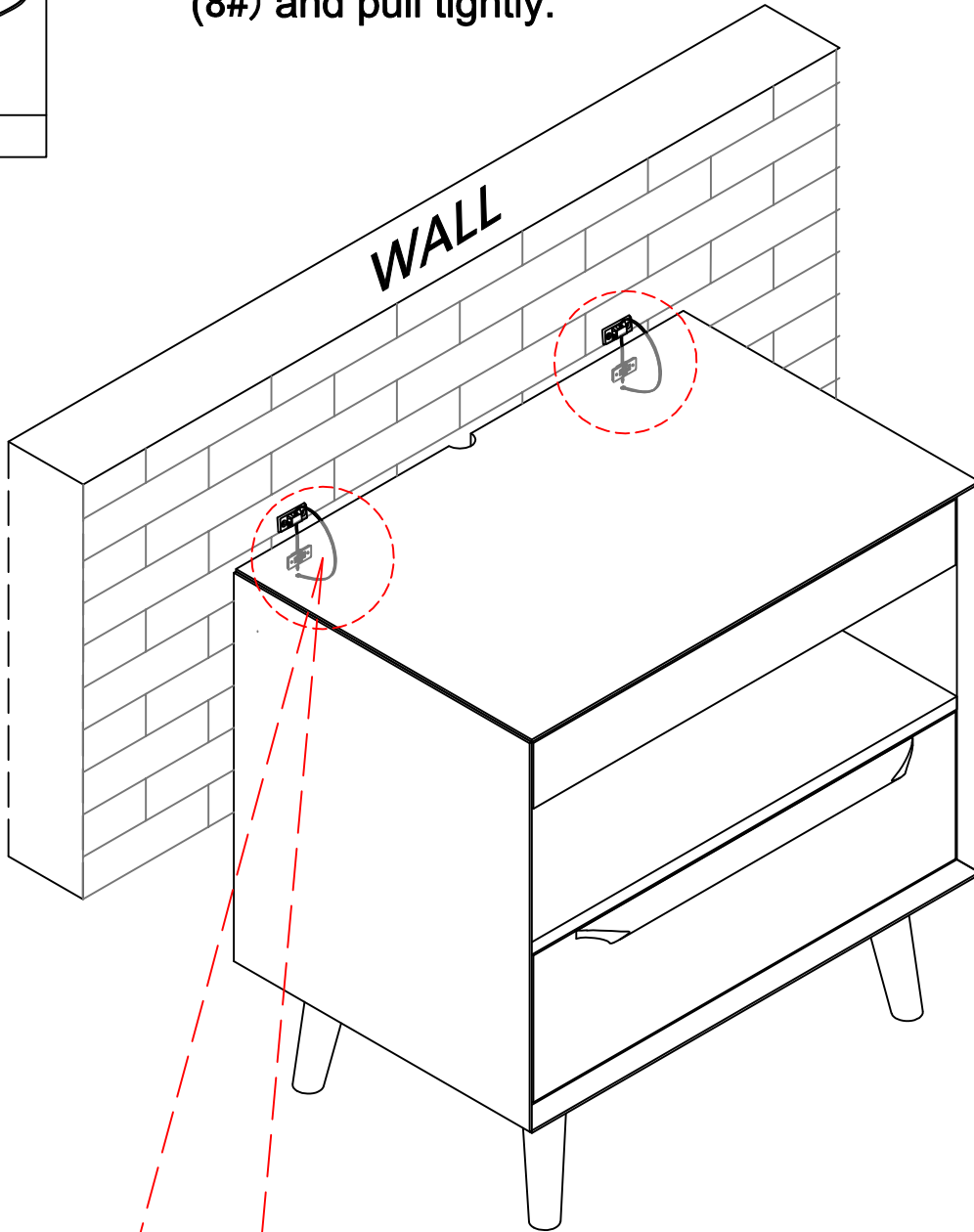


ASSEMBLY INSTRUCTIONS

STEP-17



1. Let the plastic belt (13#) pass through the both part (8#) and pull tightly.



WARRANTY

1. We strive to offer high-quality products, and we also try our best to satisfy each and every customer that orders from us with product or service as needed.
2. We provide 30 days warranty starting from the time you receive the item. Each customer must provide a record of their order such as the order number, or item receipt for any items that are out of the warranty period you may also still receive.
3. Replacement parts by purchasing them with our company if they are available.

Are you having difficulty
With assembly? Missing parts?
Please send email with your order No to
customerservice@hulalahome.com
For return, please check the return policy with
the retailer or market place you bought from.

Appreciate your purchasing from us.
Pop up your life by our furniture piece!