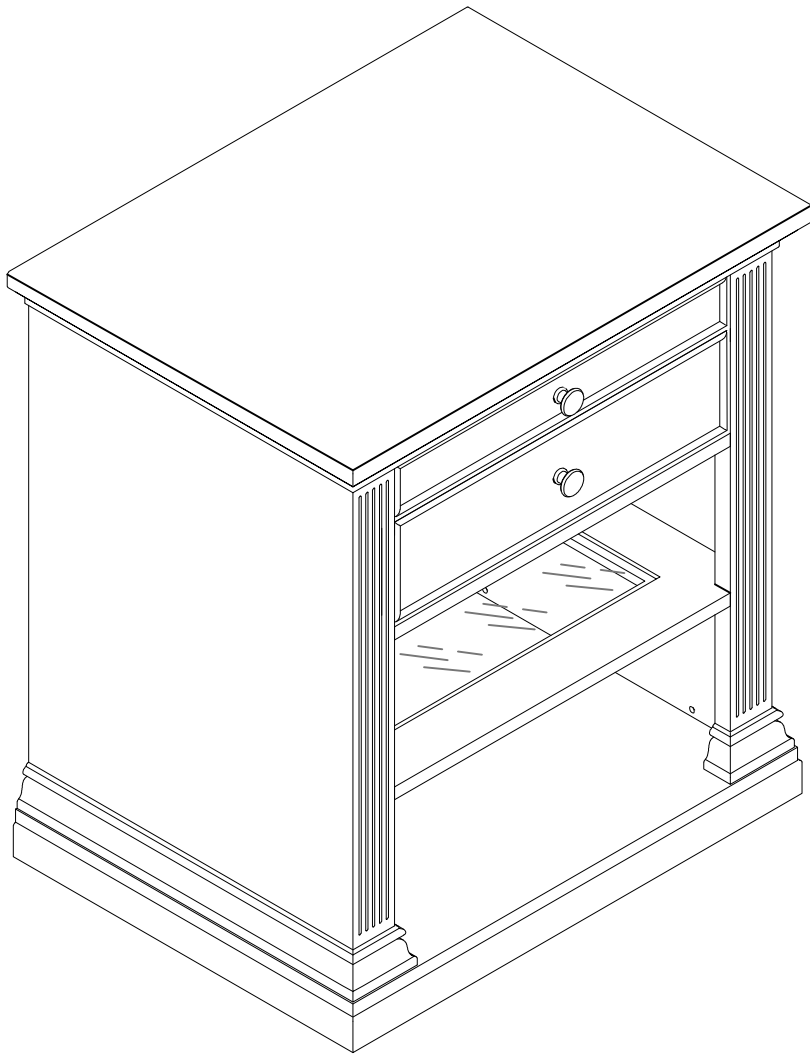


# HULALA

---

## H O M E



**ITEM NO.NSHM1197D**

---

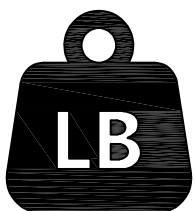
### NOTE:

This brochure contains IMPORTANT safety info. Please read and keep for future reference.

---

# MAINTAINANCE AND WARNING

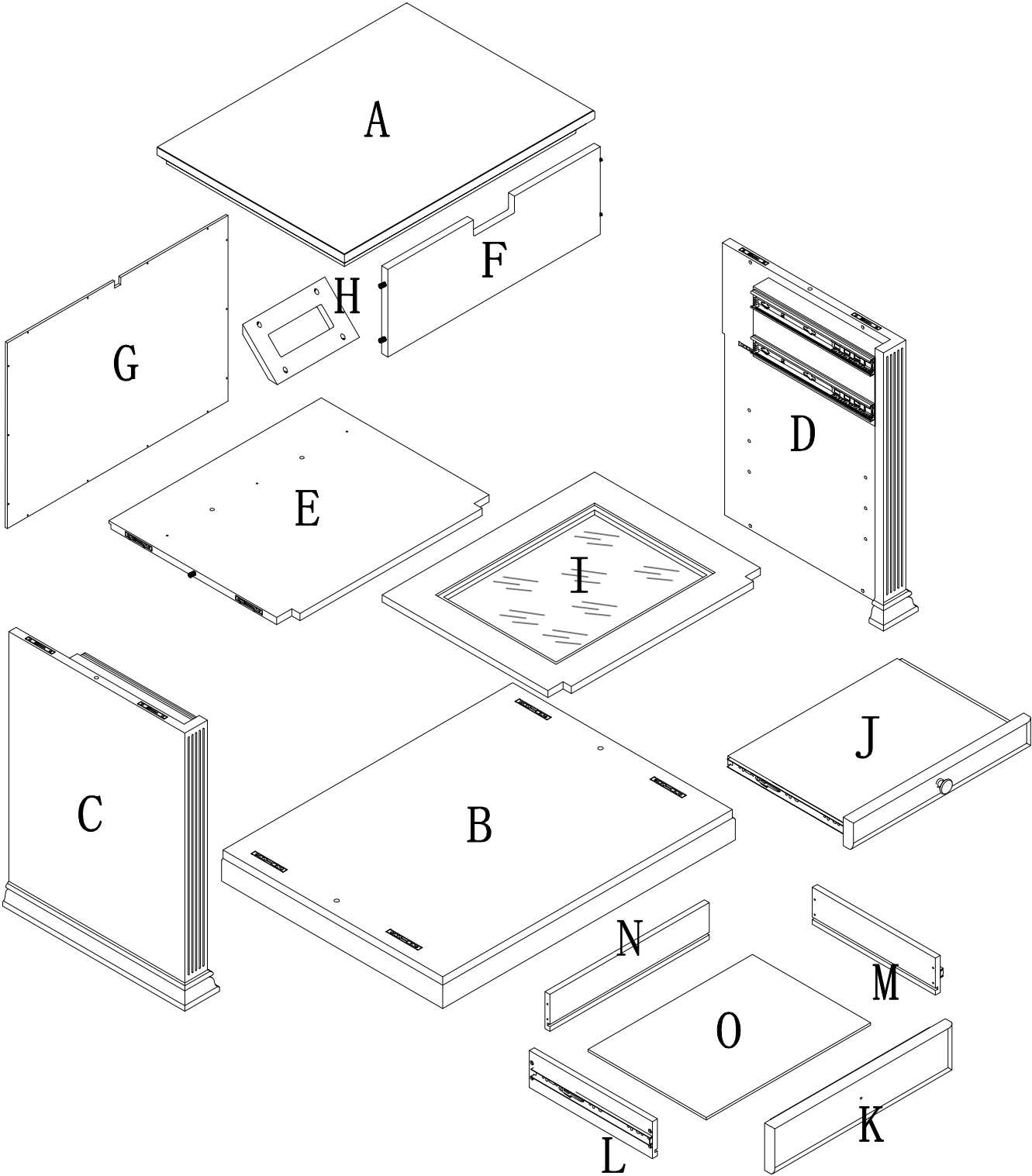
- 1.Keep furniture away from heat sources.
- 2.Do not clean furniture with harsh cleaner or polishes.Do not use detergents,solvents,abrasives,spray packs or leather cleaner. Use non-color mild soa with warm water to clean spills(Mix 1:10 soap to water).
- 3.Do not place furniture under direct sunlight,material will possibly fade over time.
- 4.Do not use on site dry cleaning machine.Children should not climb or jump on the furniture.
- 5.Do not write on furniture that is not protectedby a padded barrier.
- 6.Not for commercial use,only for residential use.



Weight Limitation

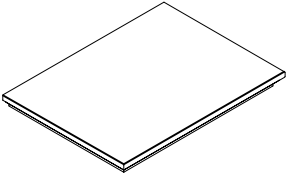
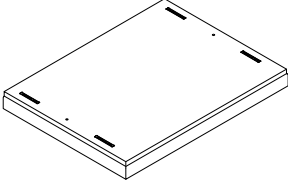
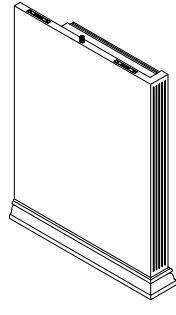
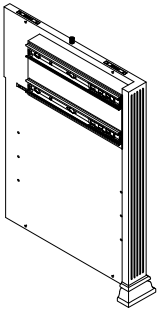
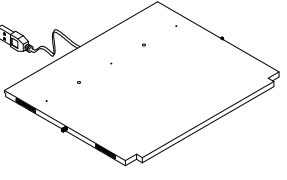
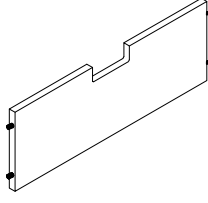
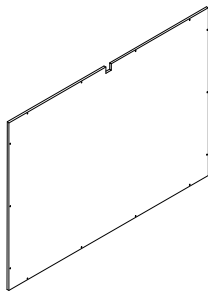
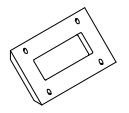
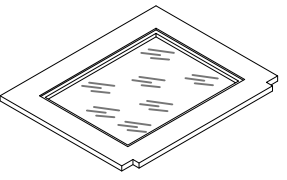
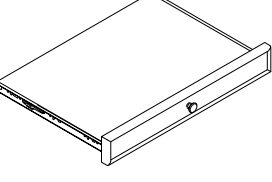
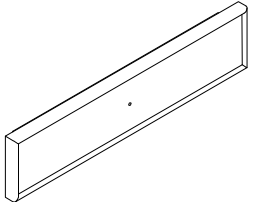
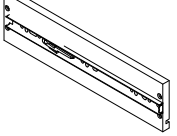
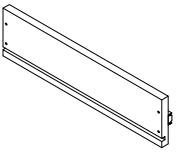
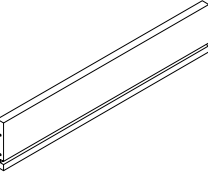
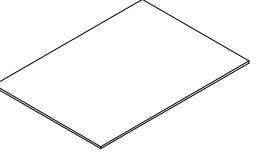
**80 LBS**

# EXPLOSIVE VIEW

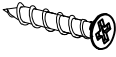
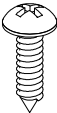
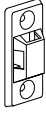
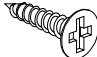

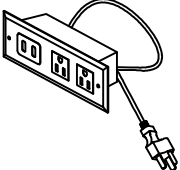


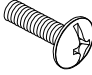

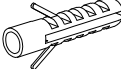



# OVERVIEW


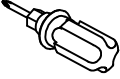
# PARTS LIST

A	x1	B	x1	C	x1	D	x1
							
E	x1	F	x1	G	x1	H	x1
							
I	x1	J	x1	K	x1	L	x1
							
M	x1	N	x1	O	x1		
							

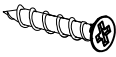
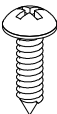
# HARDWARE LIST

#1	x15	#2	x14	#3	x4	#4	x4	#5	x2	#6	x1
											
ø8#*1-1/4"		ø3*14mm				ø3*16mm*6#		ø3*12mm			
#7	x4	#8	x1	#9	x1	#10	x4	#11	x4	#12	x2
											
						ø3.5*35mm*7#					

# TOOL LIST

#13	x1	#14	x1
			
M4			

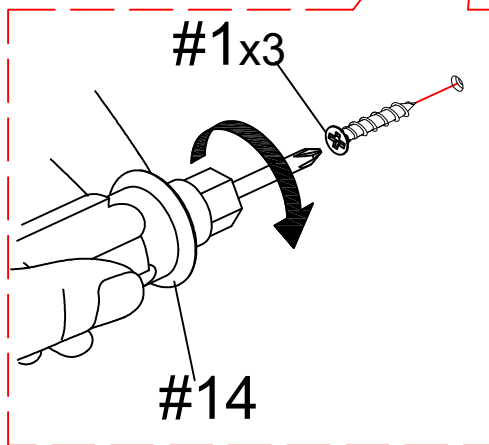
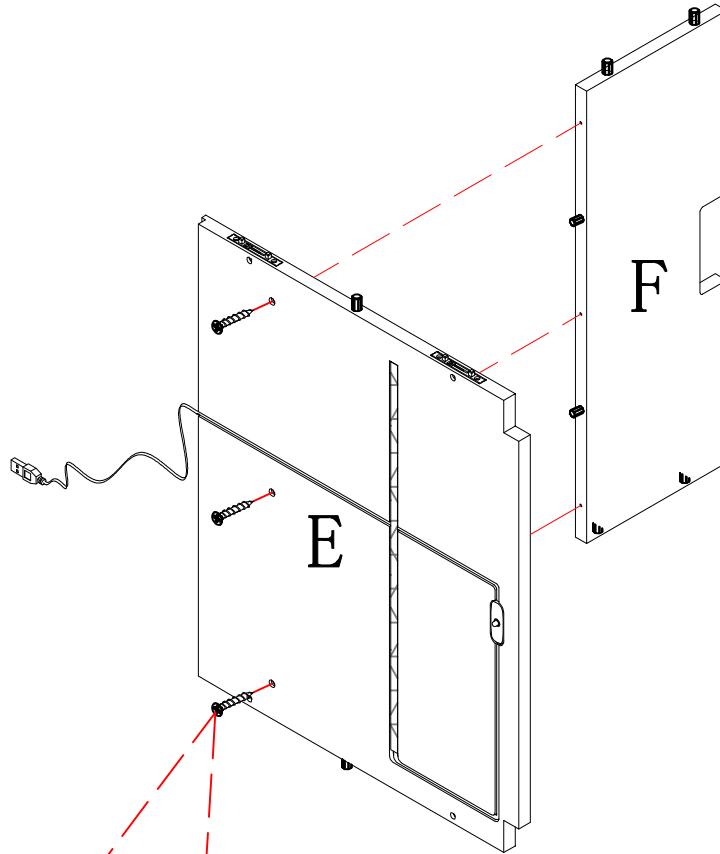
# HARDWARE SPARE LIST

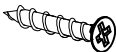
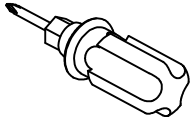
#1	x1	#2	x1
			
ø8#*1-1/4"		ø3*14mm	

# ASSEMBLY INSTRUCTIONS

## STEP-1

1. connect part (F) to part (E) with screw #1, tight screw with screwdriver #14.

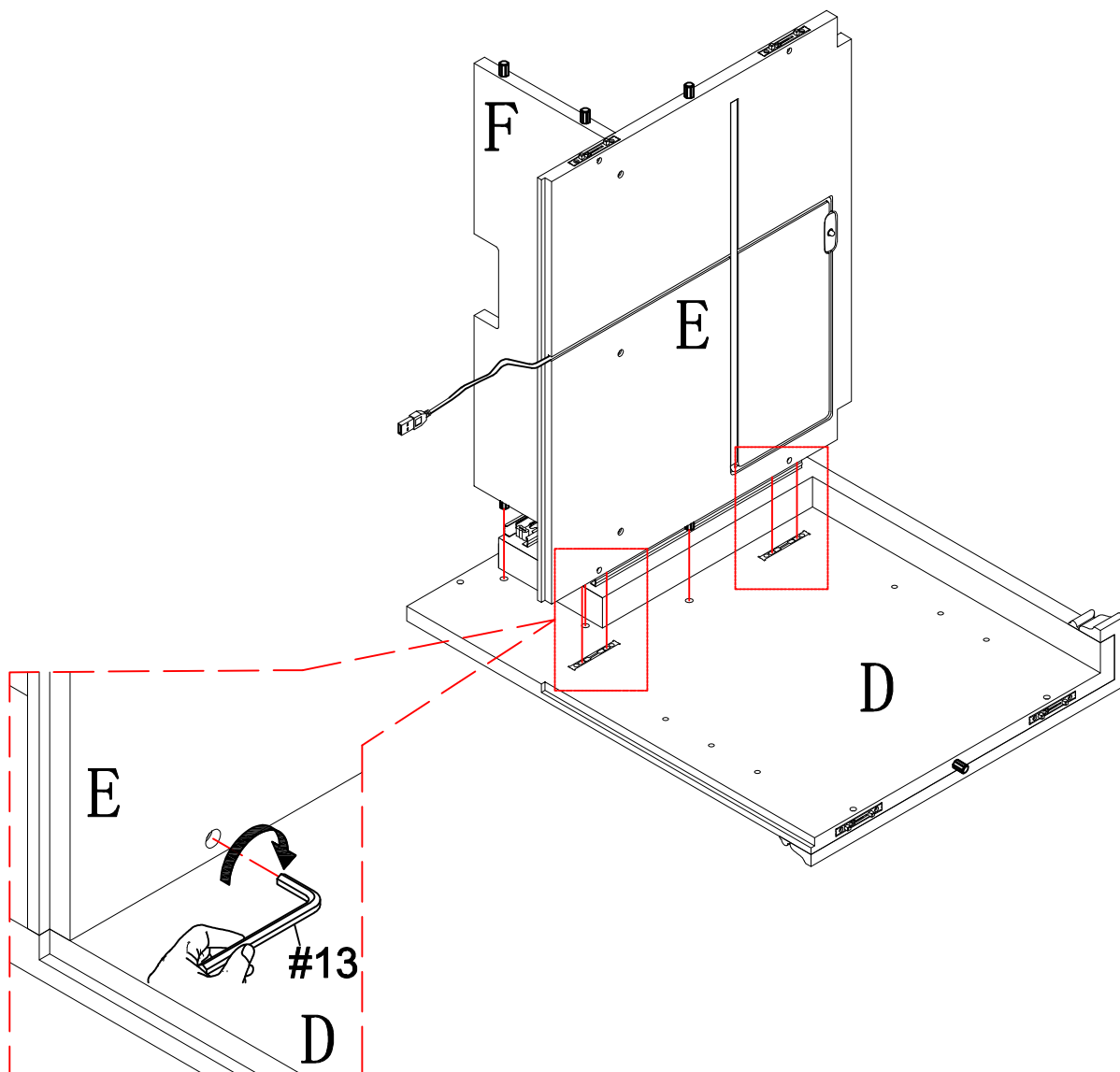



#1	x3	#14	x1
			
φ8#*1-1/4"			

# ASSEMBLY INSTRUCTIONS

## STEP-2

1. insert part (E/F) to part (D) , make sure all holes aligned and tight it with allen wrench #13.



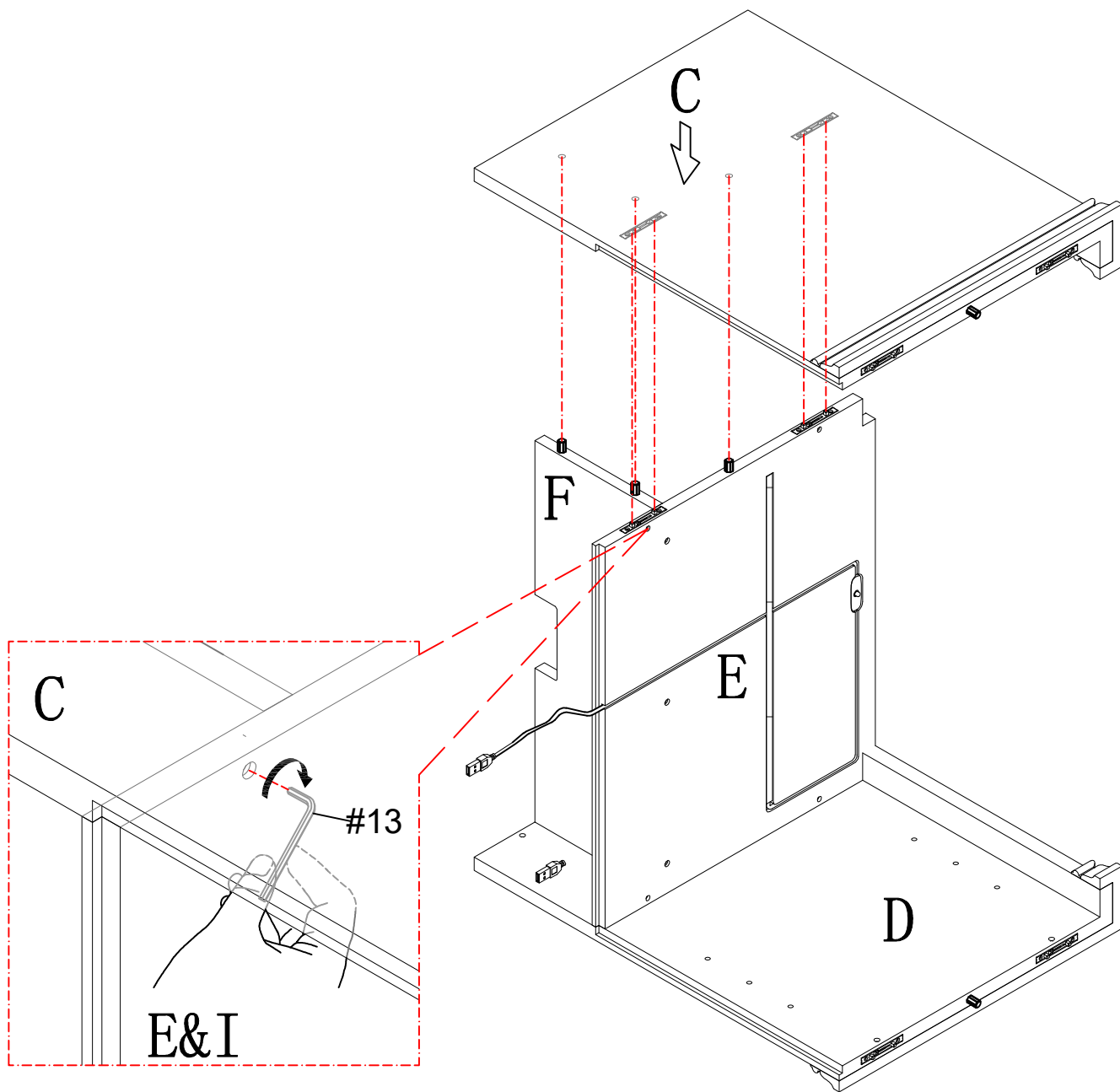
#13	x1
	
M4	


07/22

# ASSEMBLY INSTRUCTIONS

## STEP-3

1. insert part (C) to part (E/F) , make sure all holes aligned and tight it with allen wrench #13.



#13	x1
	
M4	

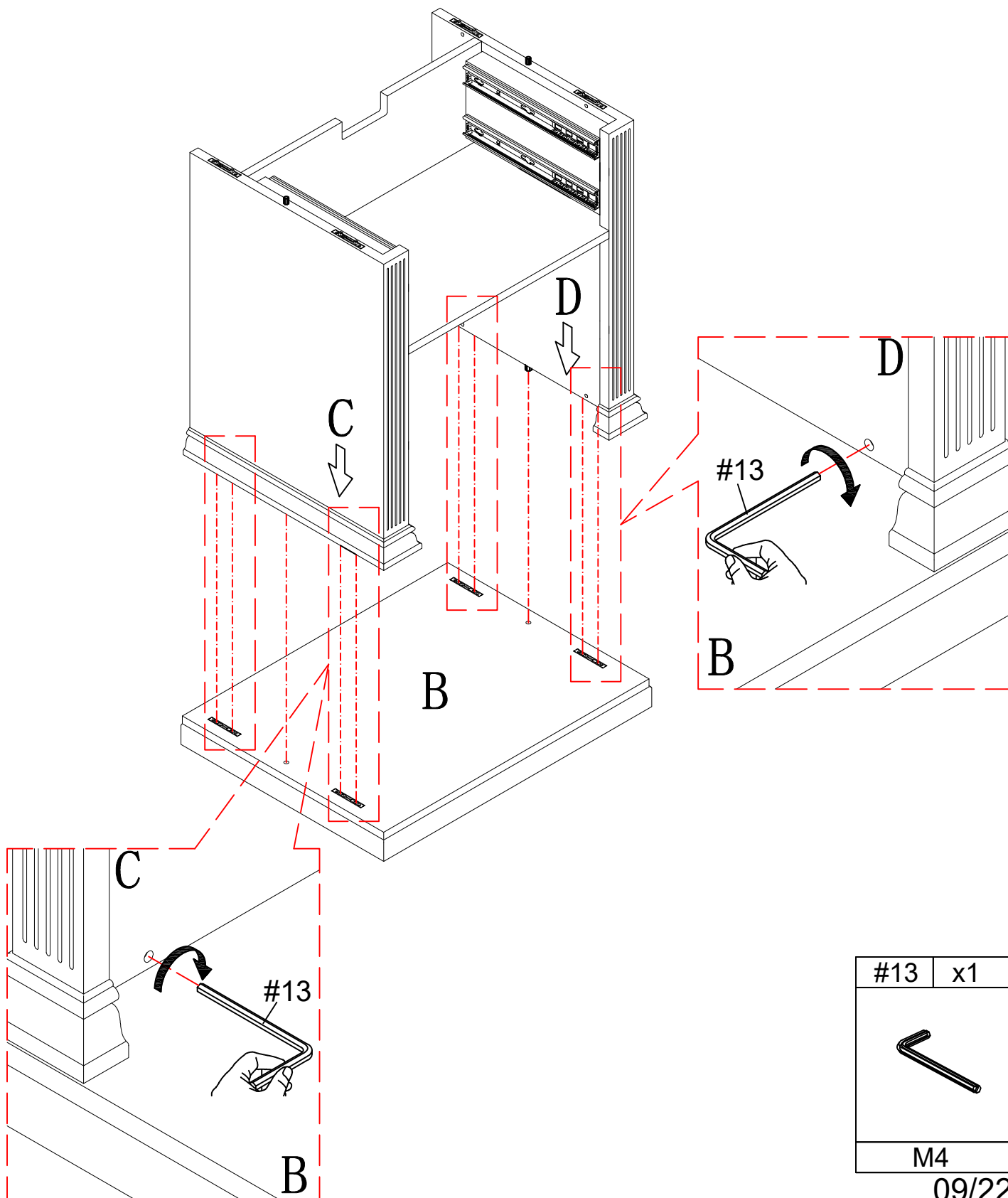
08/22



# ASSEMBLY INSTRUCTIONS

## STEP-4

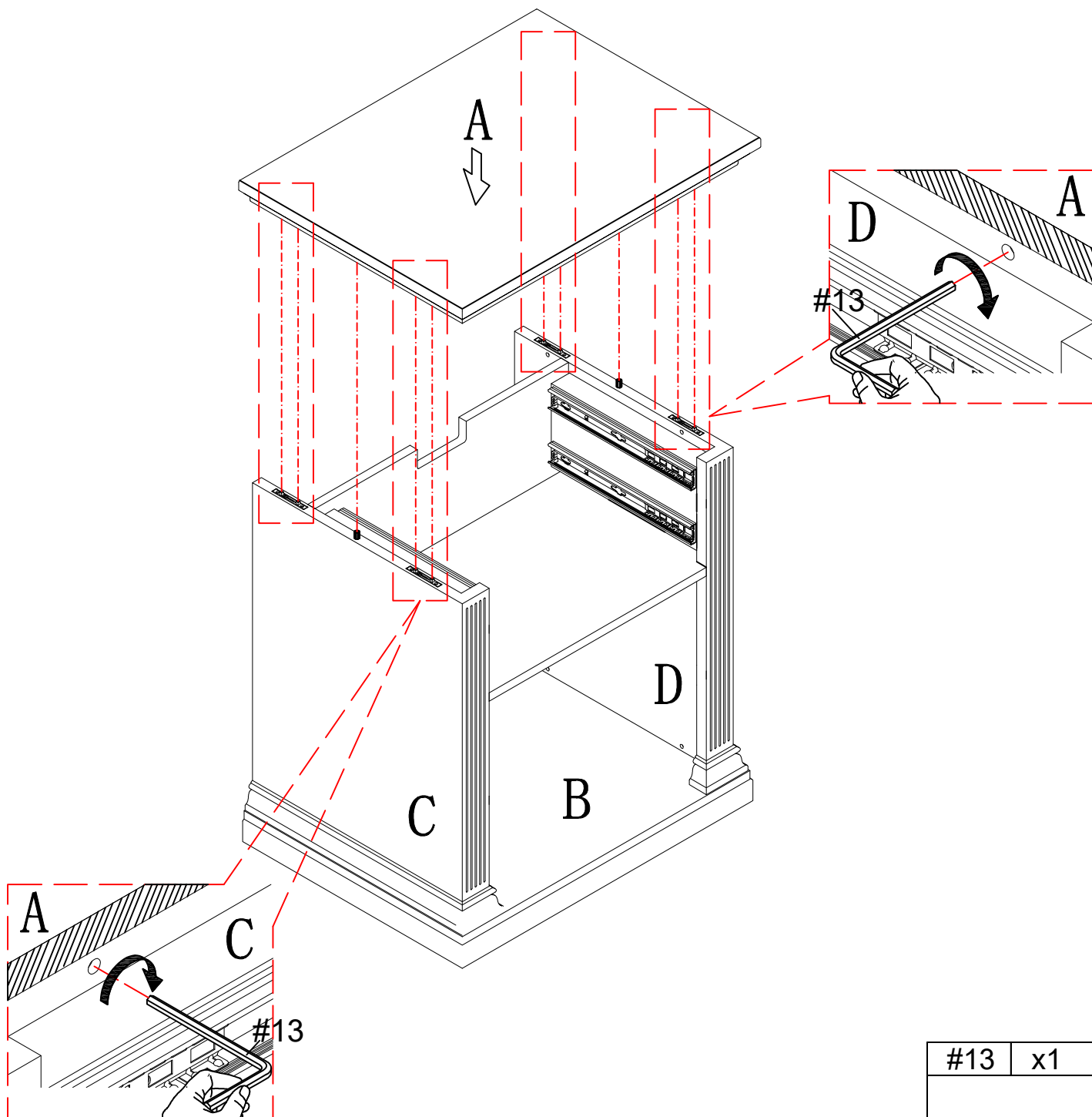
1. insert the unit pre-assembled at step 3 to part (B) , make sure all holes aligned and tight it with allen wrench #13.




# ASSEMBLY INSTRUCTIONS

## STEP-5

1. insert part (A) to the unit pre-assembled at step 4, make sure all holes aligned and tight it with allen wrench #13.

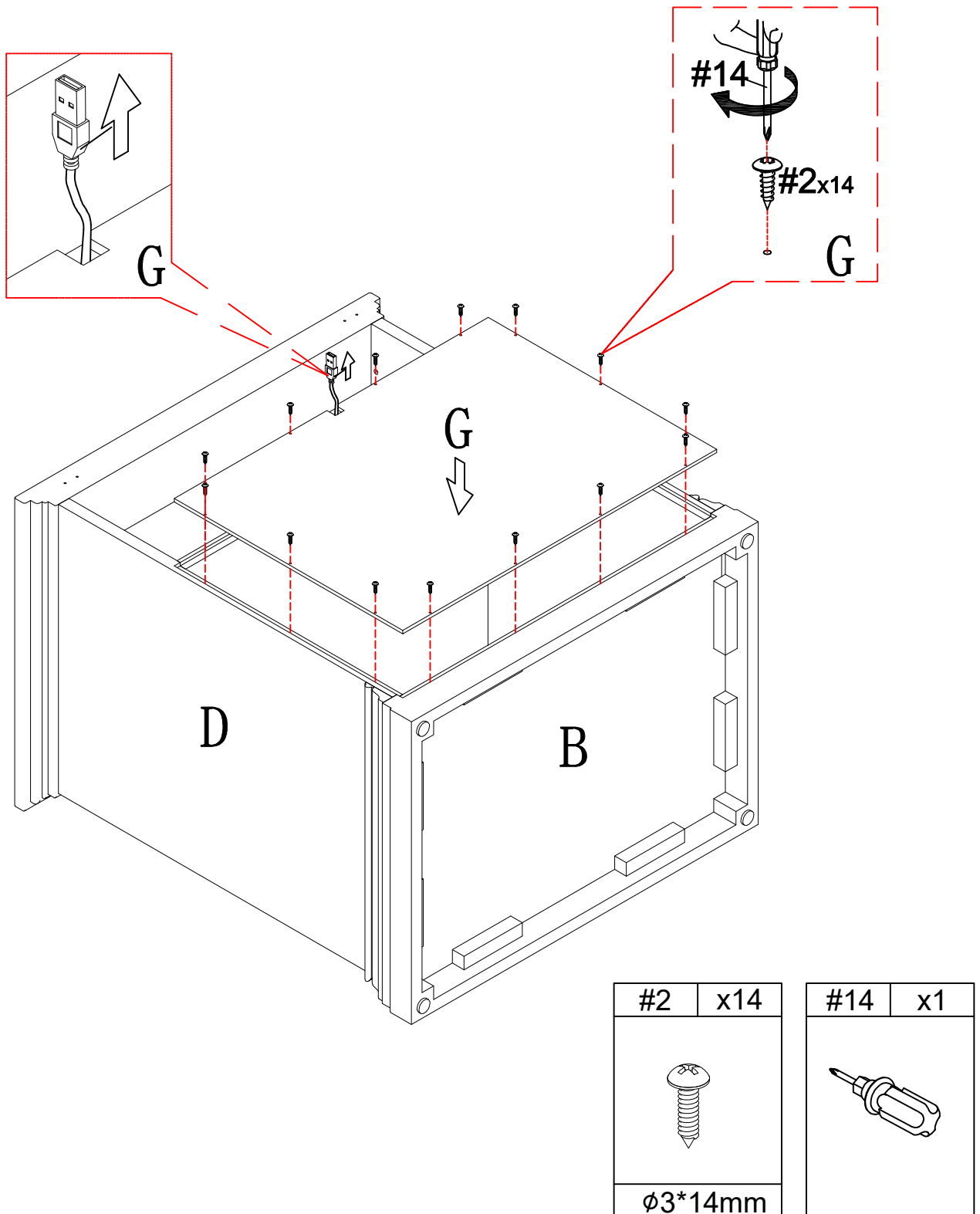


#13	x1
	
M4	

# ASSEMBLY INSTRUCTIONS

## STEP-6

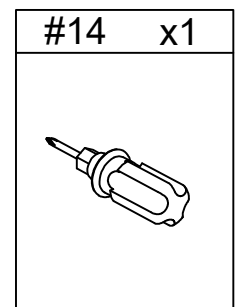
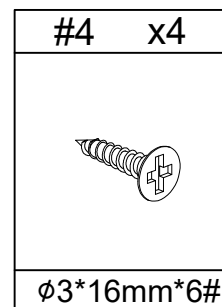
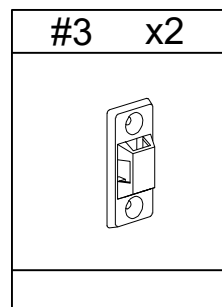
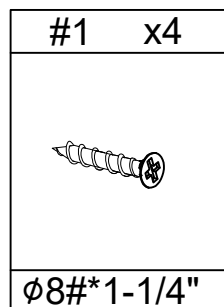
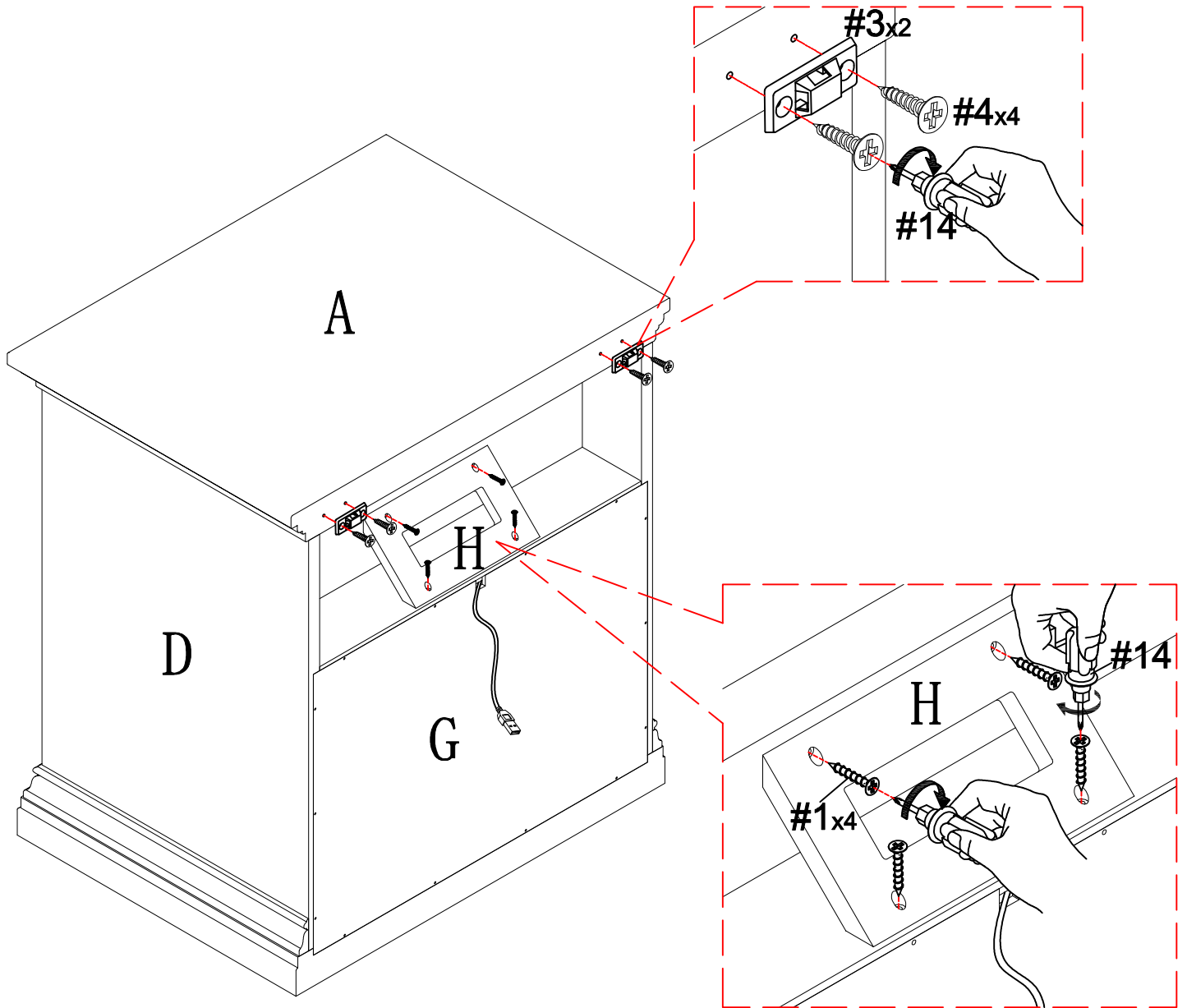
1. connect part(G) to the unit pre-assembled at step 5 with screw#2,tight screw with screwdriver #14. make sure the usb plug cross the back panel(G).



# ASSEMBLY INSTRUCTIONS

## STEP-7

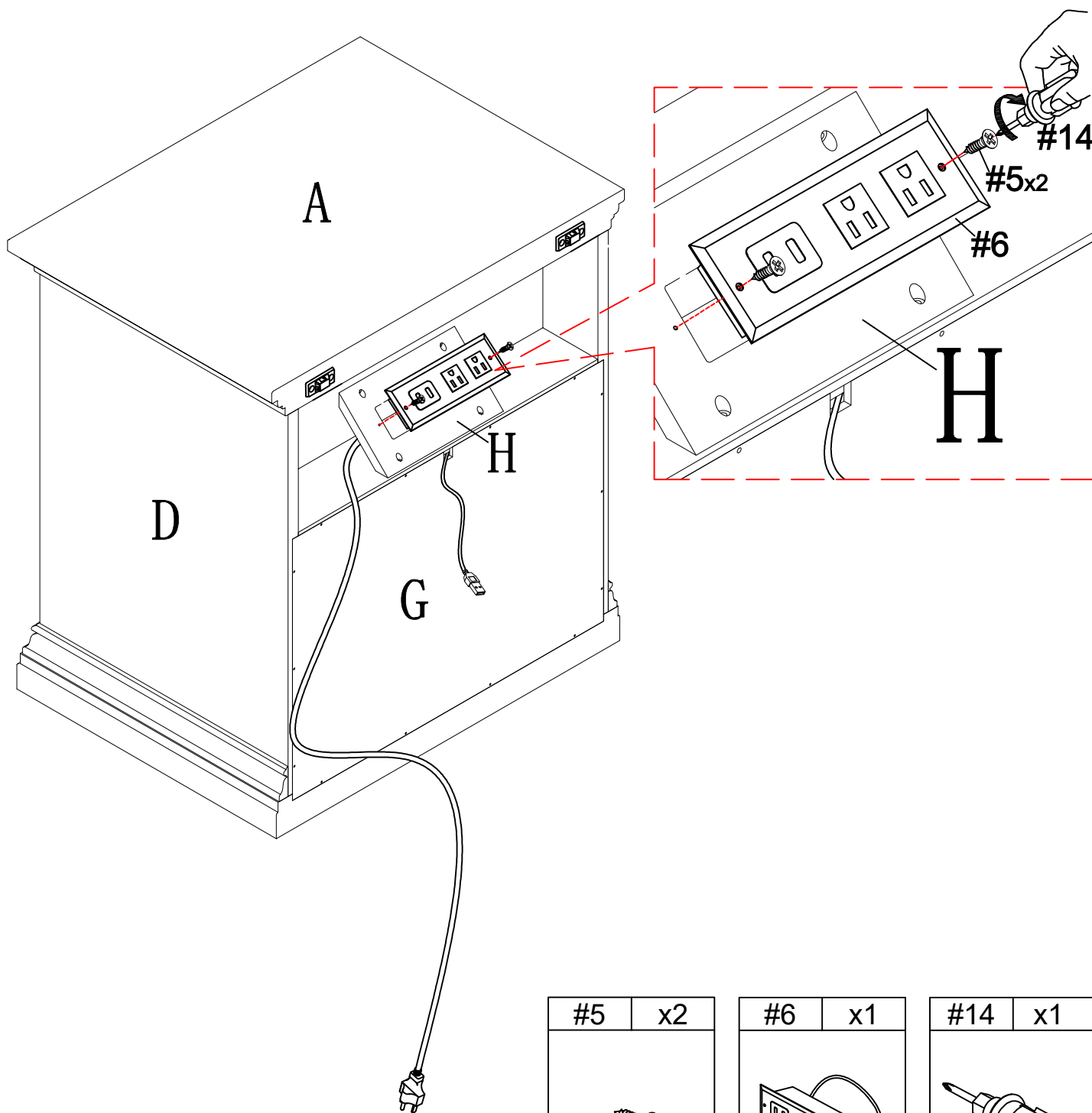
1. connect part(H) to the unit pre-assembled at step 6 with screw#1,tight screw with screwdriver #14.
2. connect part #3 to part(A) with screw #4, tight screw with screwdriver #14.




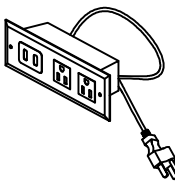
# ASSEMBLY INSTRUCTIONS

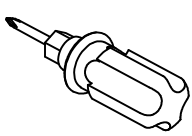
## STEP-8

1. connect part #6 to part (H) with screw #5, tight screw with screwdriver #14.



#5	x2
	
ø3*12mm	

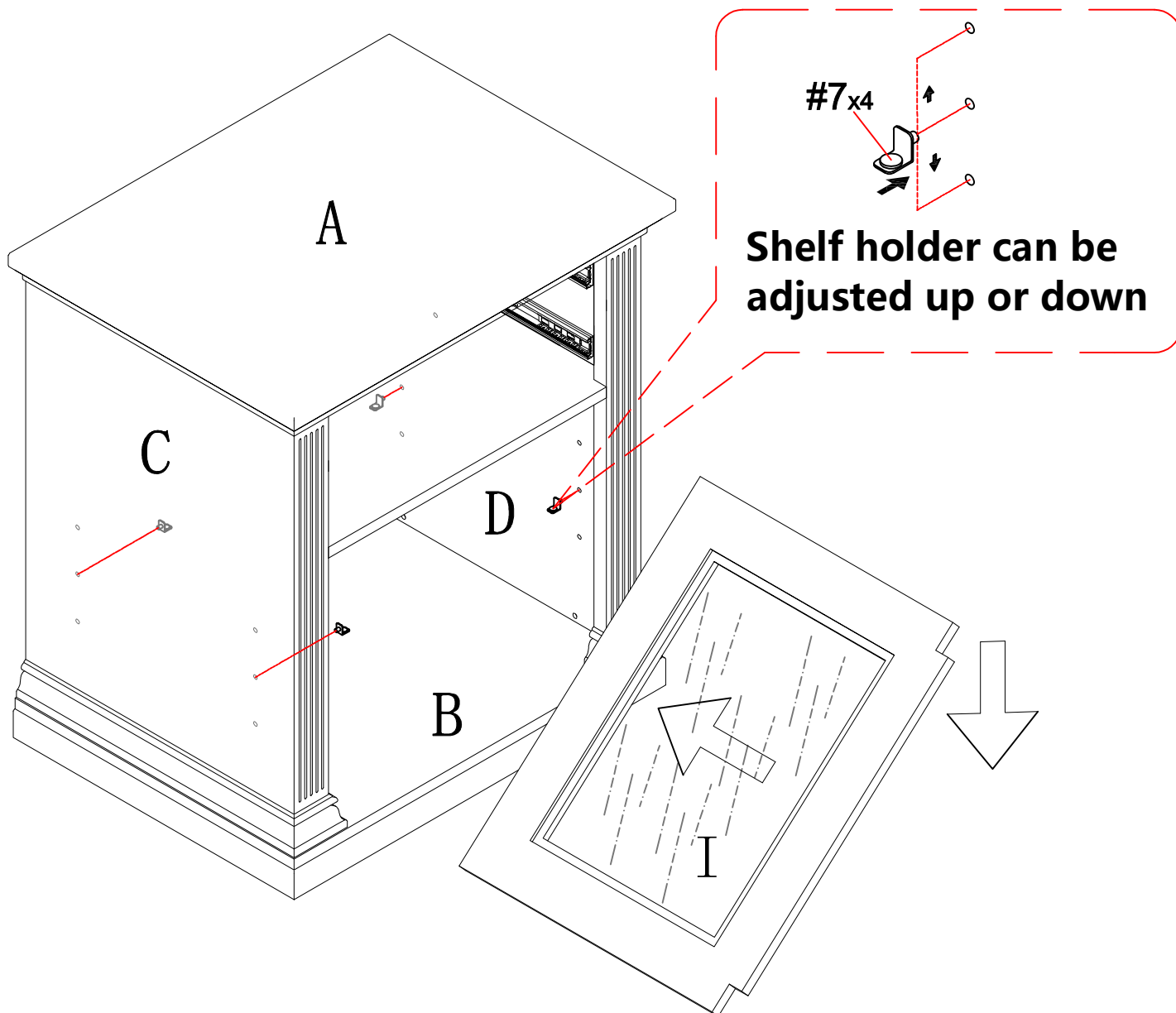
#6	x1
	

#14	x1
	

# ASSEMBLY INSTRUCTIONS

## STEP-9

1. insert part #7 to the hole of part (C/D),make sure they are at the same level ,then attach part (I) to it.

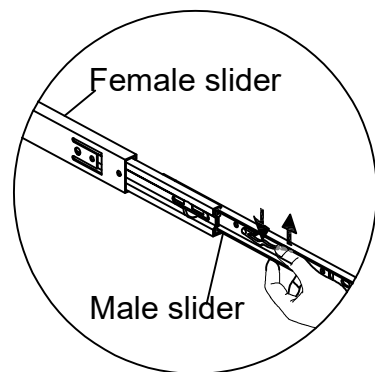
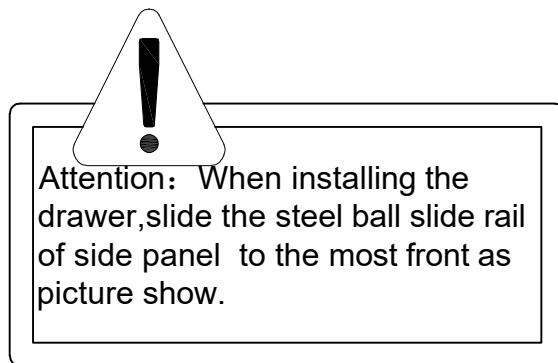
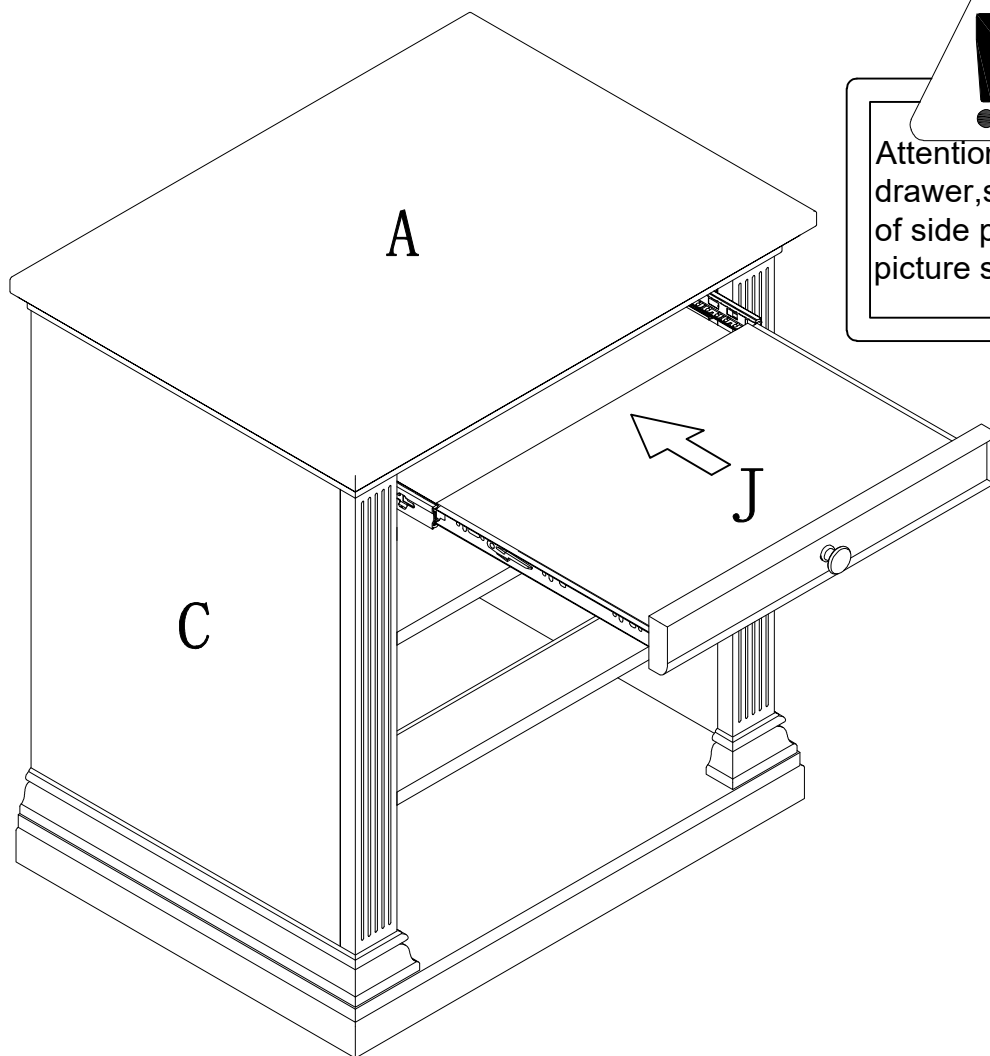


#7	x4

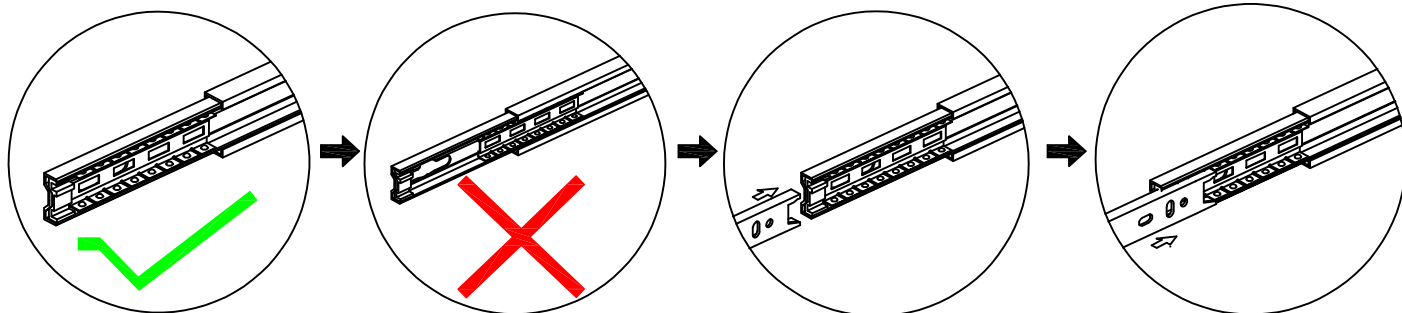
# ASSEMBLY INSTRUCTIONS

## STEP-10

1. insert top drawer (J) to the body.



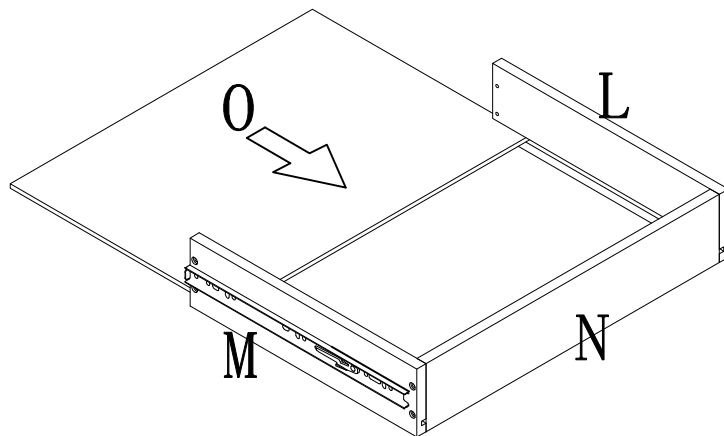
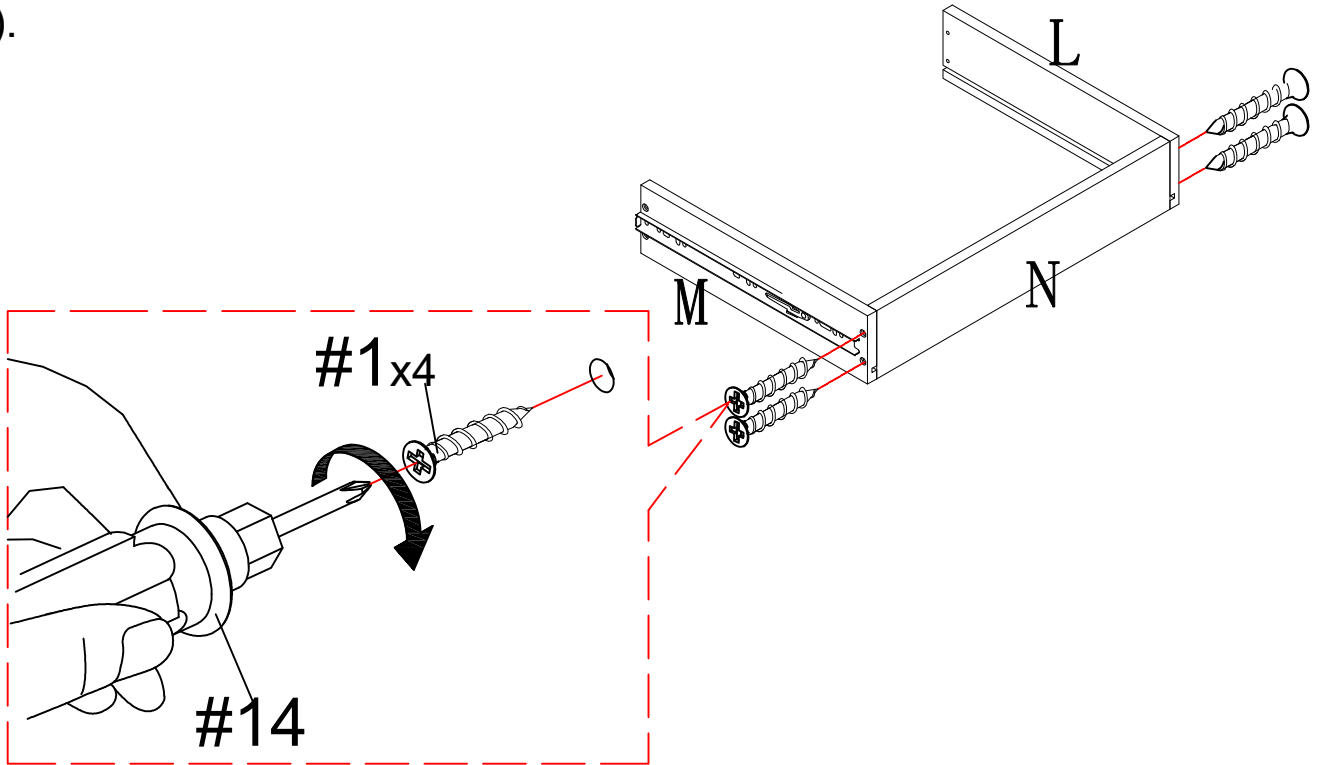
Schematic diagram of slide rail disassembly

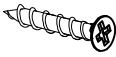
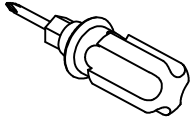


# ASSEMBLY INSTRUCTIONS

## STEP-11

1. connect part (L/M) to part(N) with screw #1, tight screw with screwdriver #14.
2. slide part (O) to part (L/M), make sure it also in the groove of part (N).



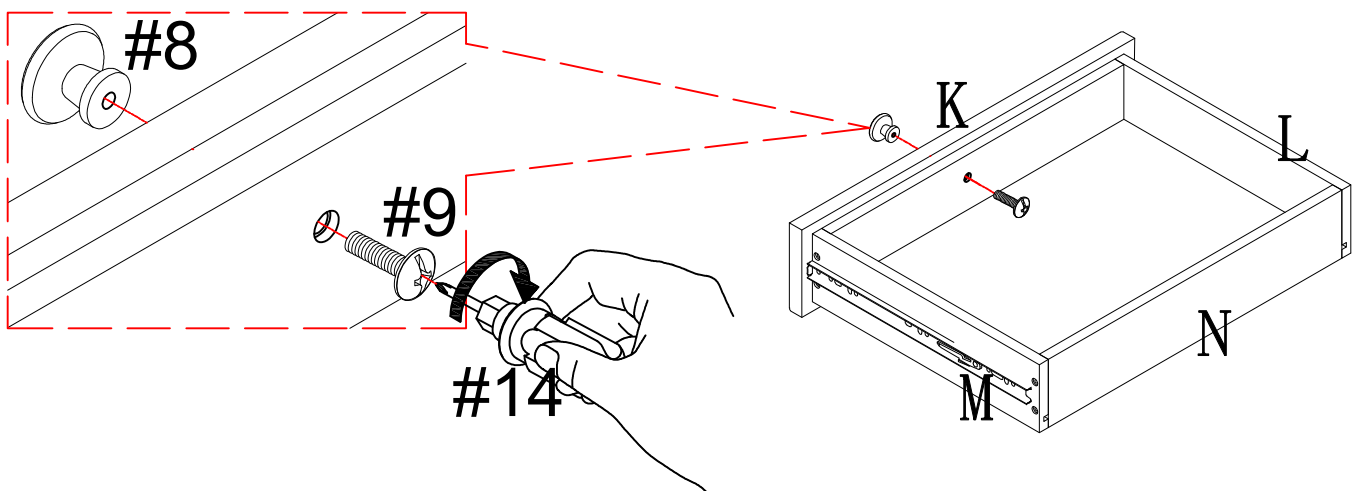
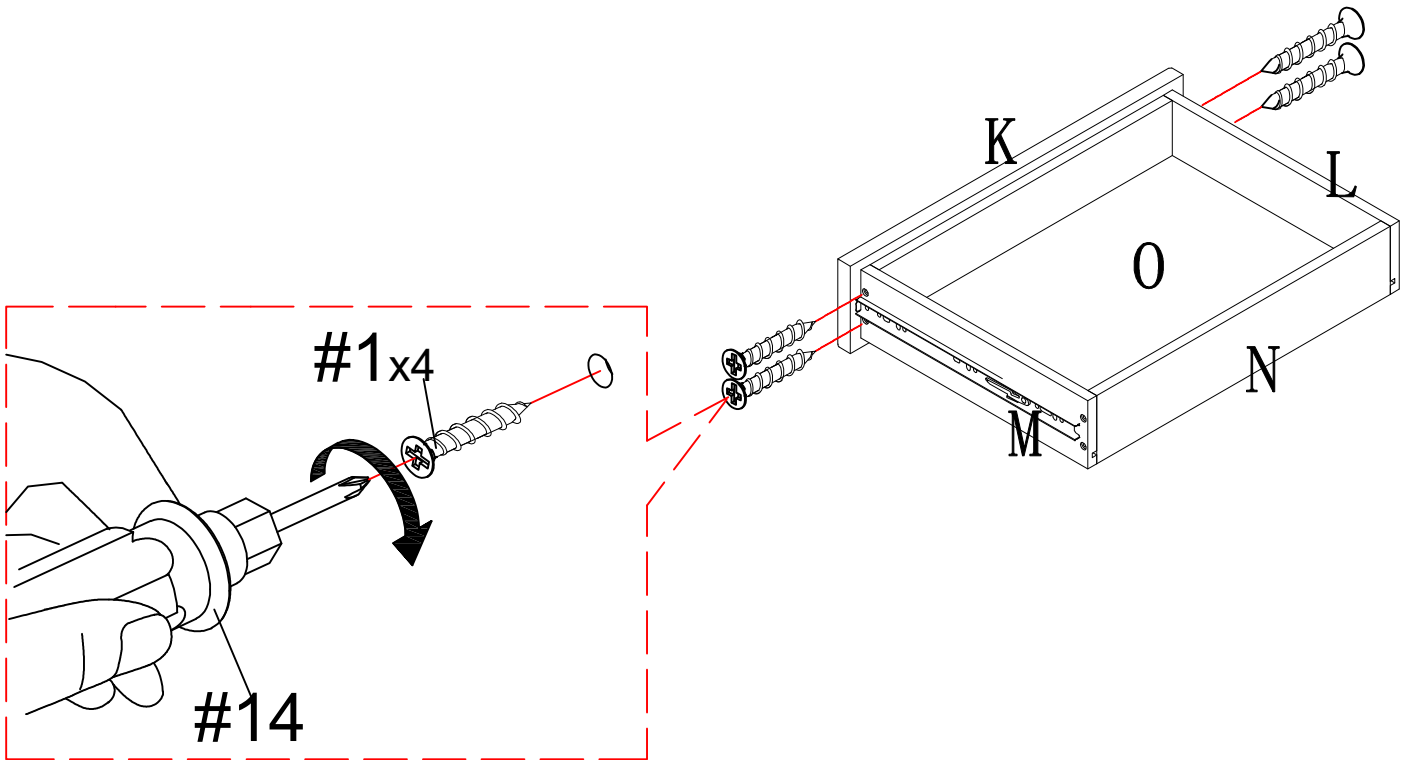
#1	x4	#14	x1
			
φ8#*1-1/4"			

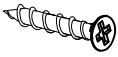



# ASSEMBLY INSTRUCTIONS

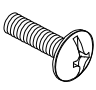
## STEP-12

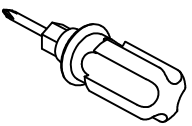
1. connect part (L/M) to part(K) with screw #1, tight screw with screwdriver #14.
2. connect part #8 to part (K) with part #9, tight it with screwdriver #14.



#1	x4
	
ø8#*1-1/4"	

#8	x1
	

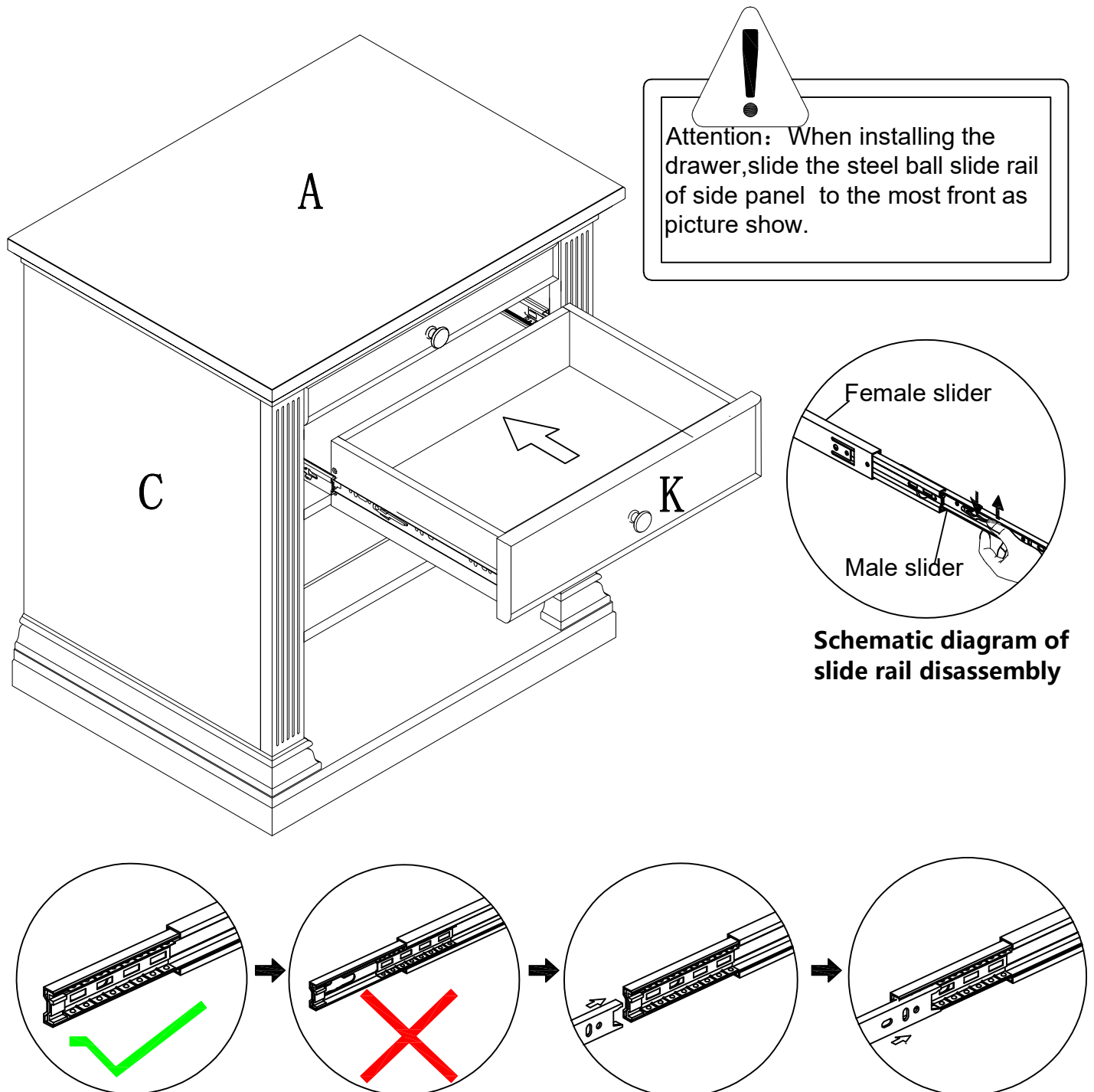
#9	x1
	
ø32/5"*1"	

#14	x1
	

# ASSEMBLY INSTRUCTIONS

## STEP-13

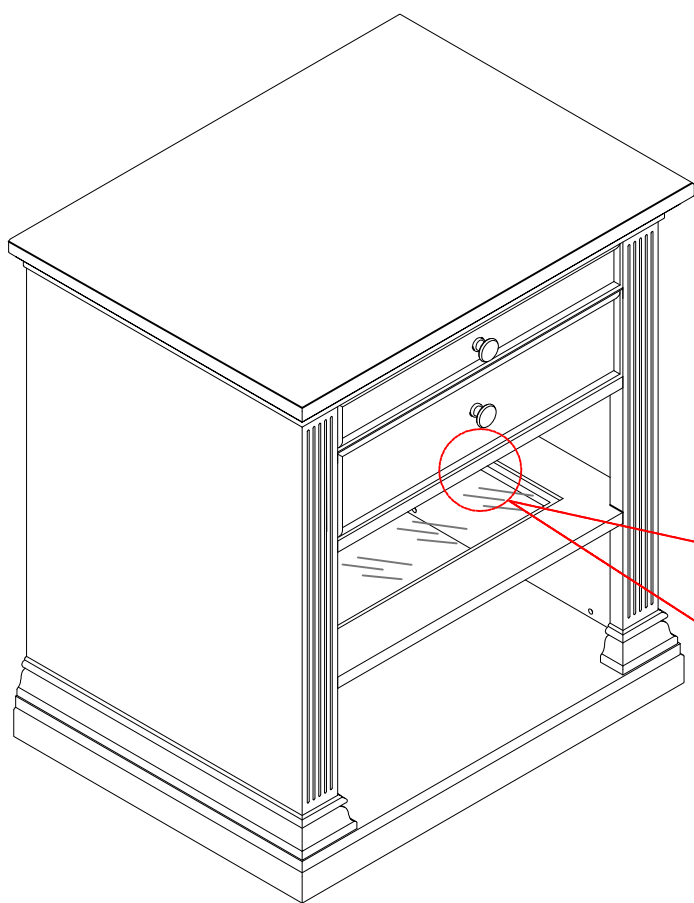
1. insert big drawer to the body.



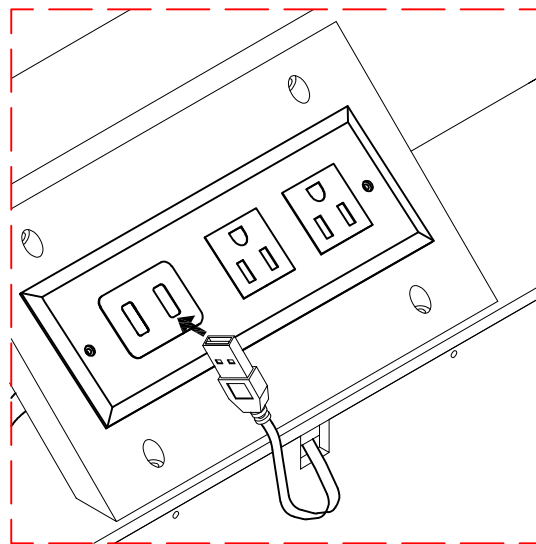
# ASSEMBLY INSTRUCTIONS

## STEP-14

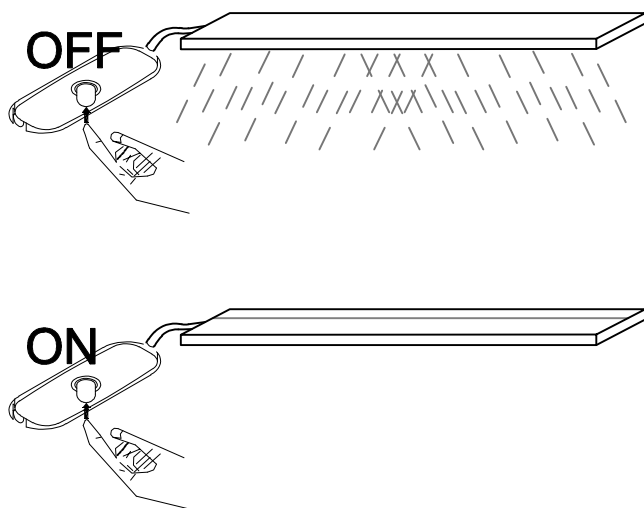
1. insert the light usb to the outlet, you can turn on/off by push the botton.



1:



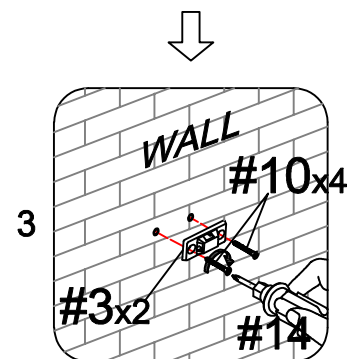
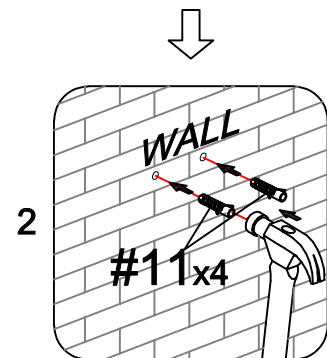
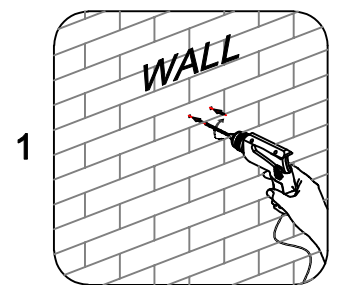
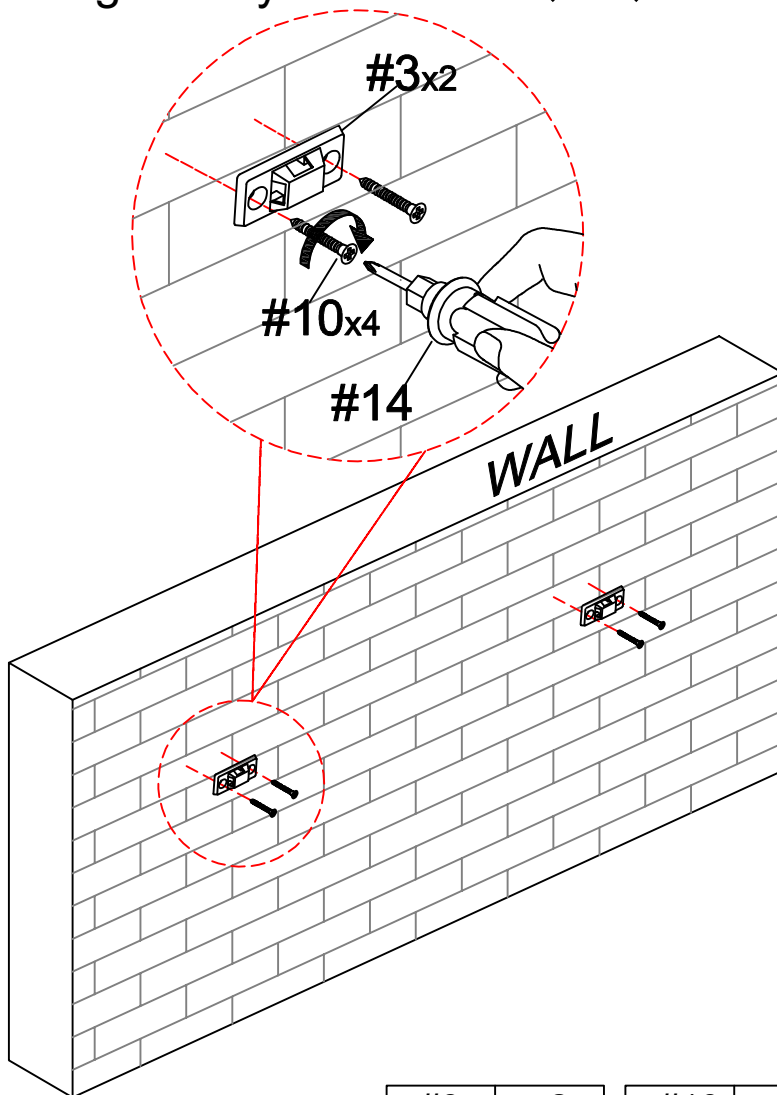
2:

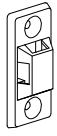

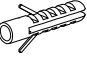
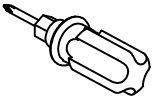


# ASSEMBLY INSTRUCTIONS

## STEP-15

1. Install the anti-collapse device.
2. Mark the position on the wall, that corresponds to the location of part (#3) on the top panel (A); Drill and insert the expandable screw (#11) by hammer.
3. Assemble the part (#3) to the wall. Align the hole in the part (#3) with the expandable screw (#11), use screw (#10) to attach it and tighten by screwdriver (#14).

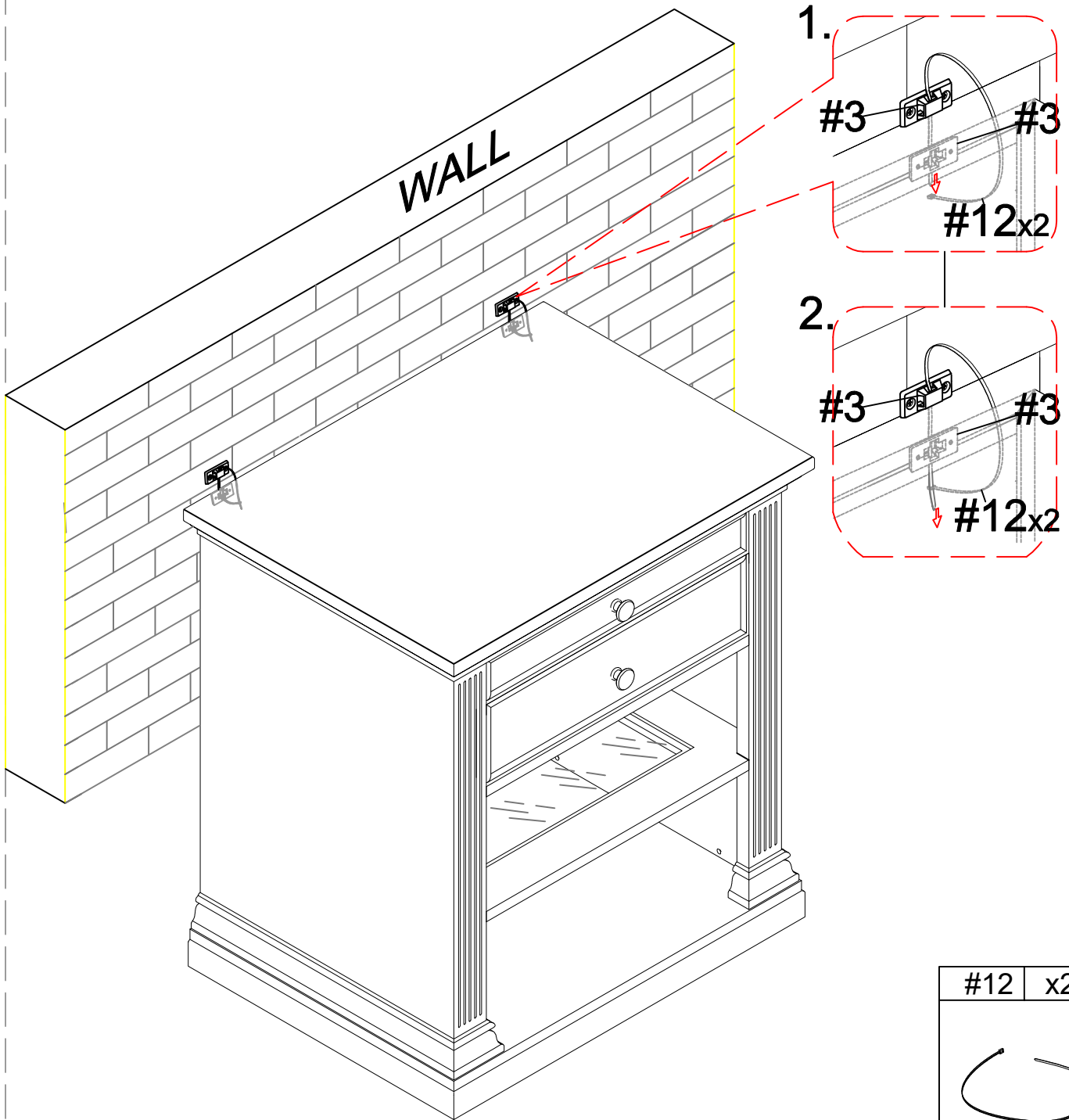


#3	x2	#10	x4	#11	x4	#14	x1
							
		φ3.5*35mm*7#					

# ASSEMBLY INSTRUCTIONS

## STEP-16

1. Let the plastic belt (#12) pass through the both part (#3) and pull tightly.



#12	x2

# WARRANTY

1. We strive to offer high-quality products, and we also try our best to satisfy each and every customer that orders from us with product or service as needed.
2. We provide 30 days warranty starting from the time you receive the item. Each customer must provide a record of their order such as the order number, or item receipt for any items that are out of the warranty period you may also still receive.
3. Replacement parts by purchasing them with our company if they are available.

Are you having difficulty  
With assembly? Missing parts?  
Please send email with your order No to  
[customerservice@hulalahome.com](mailto:customerservice@hulalahome.com)  
For return, please check the return policy with  
the retailer or market place you bought from.

Appreciate your purchasing from us.  
Pop up your life by our furniture piece!