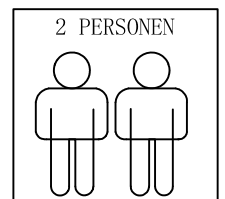


**ITEM NO. NSJY0602**



---

## NOTE:

---

This brochure contains IMPORTANT safety info. Please read and keep for future reference.

---

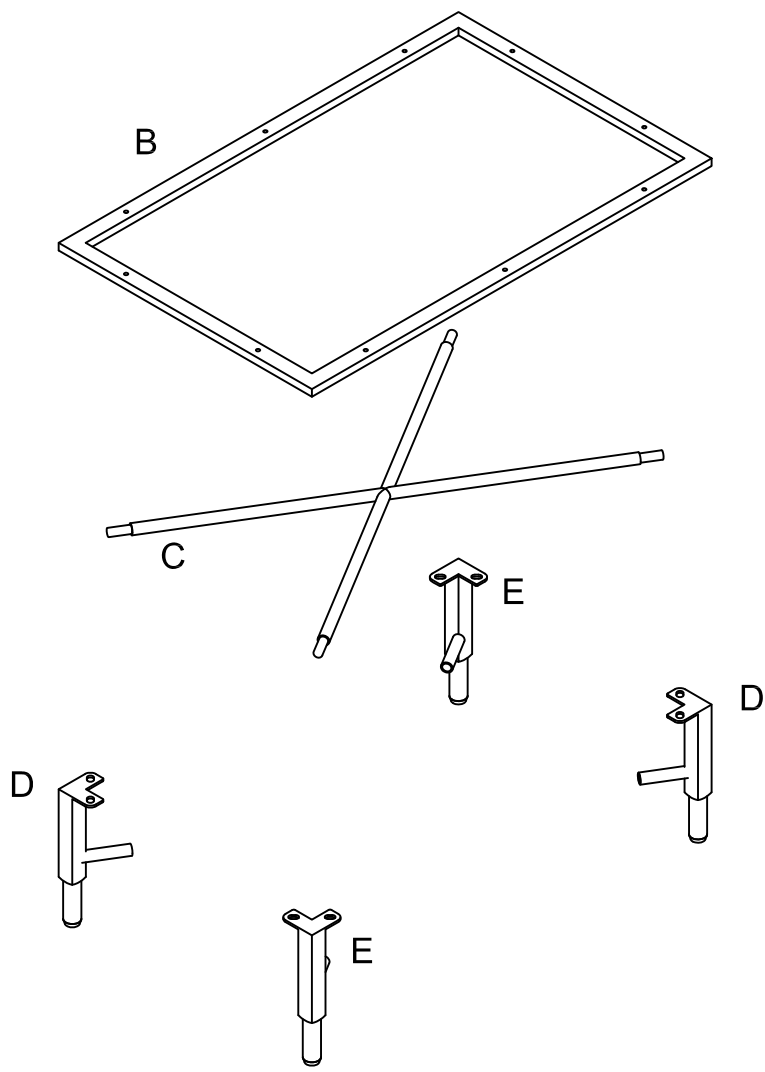
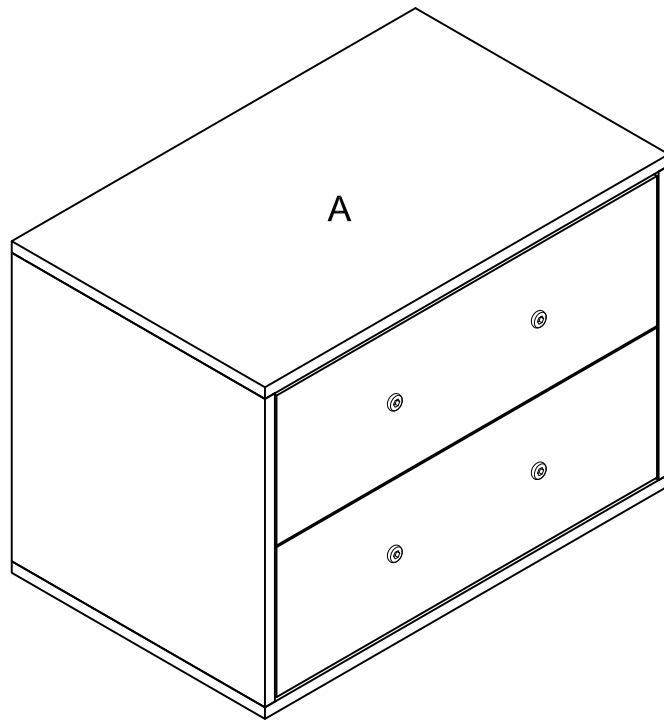
# MAINTAINANCE AND WARNING

- Keep furniture away from heat.
- Do not clean furniture with harsh cleansers or polish. Do not use detergents, Solvents, abrasives, spray packs or leather cleaner. Use non-color mild soap with warm water clean spills(Mix 1:10 soap to water)
- Do not place furniture under direct sunlight, material will possibly fade over time.
- Do not use on site dry Cleaning machine.
- Children should not climb or jump on the furniture.
- Do not write on furniture without a padded barrier to protect the surface.
- Not for commercial use, For residential use only.



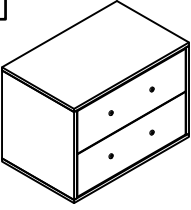
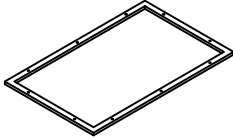
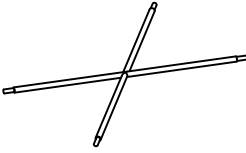
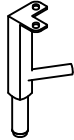
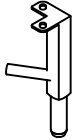
Weight Limitation

100LBS




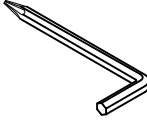
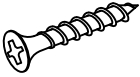


Explosive View

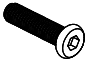
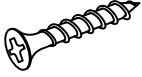
# PARTS LIST

|   |   |   |   |   |
|---|---|---|---|---|
| <b>A</b><br> | <b>B</b><br> | <b>C</b><br> | <b>D</b><br> | <b>E</b><br> |
| Cabinet<br>1 PC   | Leg Support<br>1 PC   | Trestle<br>1 PC   | Leg<br>2 PCS  | Leg<br>2 PCS  |

# HARDWARE LIST

|   |  |   |   |  |
|---|--|---|---|--|
| <div data-bbox="118 351 177 405">#1</div>  <p data-bbox="121 551 368 582">Ø1/4"*1/2"*D15mm</p> | <div data-bbox="392 351 451 405">#2</div>  <p data-bbox="480 551 619 582">1/4"*16mm</p> | <div data-bbox="667 351 726 405">#3</div>  <p data-bbox="772 551 820 582">1/4"</p> | <div data-bbox="941 351 1000 405">#4</div>  <p data-bbox="1050 551 1098 582">1/4"</p> | <div data-bbox="1216 351 1275 405">#5</div>  <p data-bbox="1286 551 1425 582">Ø8*25mm</p> |
| <p data-bbox="188 595 284 667">Bolt<br/>8 PCS</p>   | <p data-bbox="456 595 612 676">Flat Washer<br/>8 PCS</p>   | <p data-bbox="703 595 890 667">Spring Washer<br/>8 PCS</p>  | <p data-bbox="991 595 1153 667">Allen Wrench<br/>1 PC</p>   | <p data-bbox="1262 595 1458 667">Flat Head Screw<br/>10 PCS</p>  |

## SPARE

|   |  |
|---|--|
| <div data-bbox="118 1245 177 1299">#1</div>  <p data-bbox="121 1435 368 1467">Ø1/4"*1/2"*D15mm</p> | <div data-bbox="392 1245 451 1299">#5</div>  <p data-bbox="456 1435 595 1467">Ø8*25mm</p> |
| <p data-bbox="188 1489 284 1561">Bolt<br/>1 PC</p>  | <p data-bbox="432 1489 628 1561">Flat Head Screw<br/>1 PC</p>  |

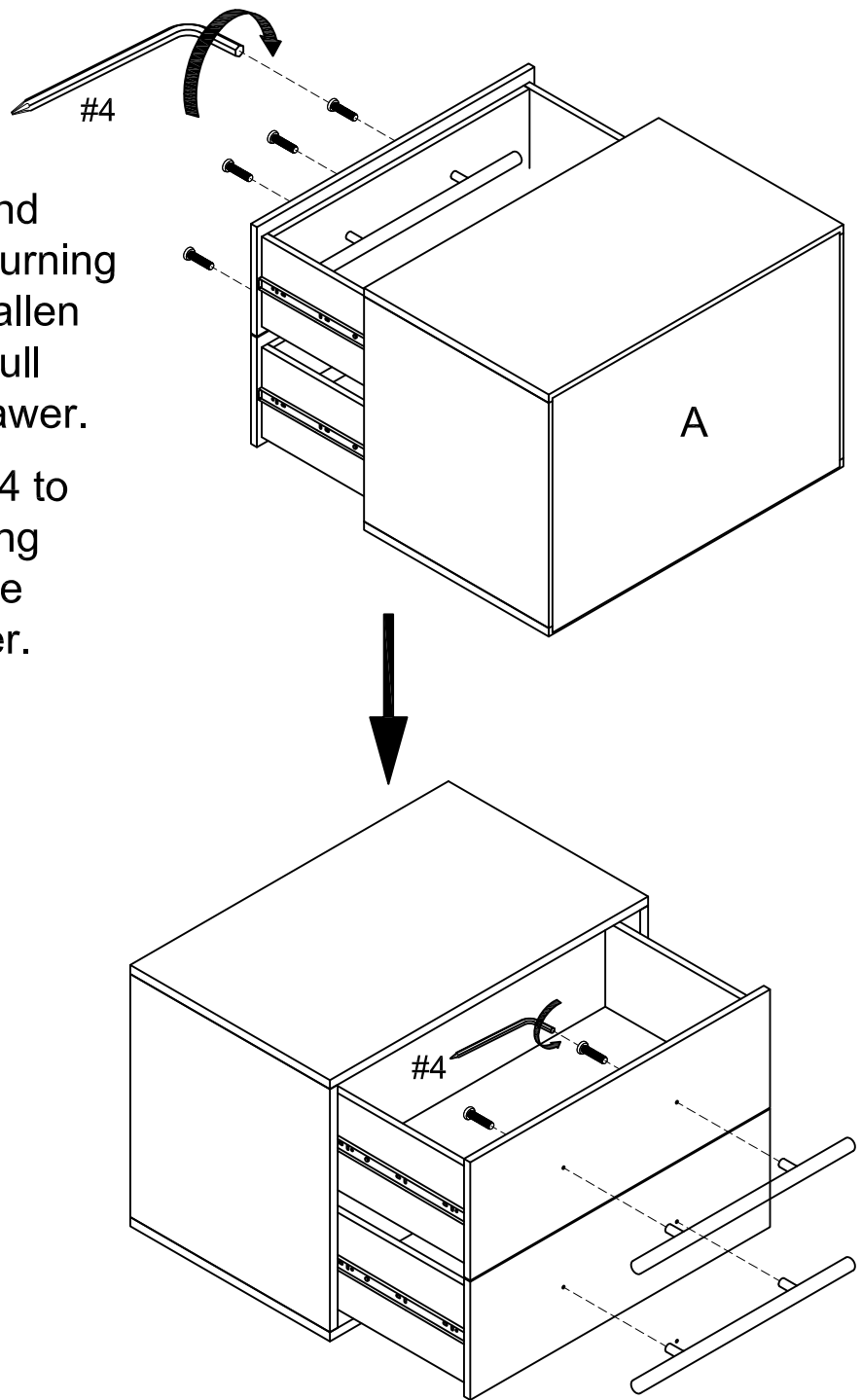
Be sure to check all packing material carefully for small parts, which may have come loose inside the carton during shipment.

# ASSEMBLY INSTRUCTIONS

## STEP 1:

1) Pull out the drawer and unscrew the screw by turning counterclockwise with allen key #4 to remove the pull handle built into the drawer.

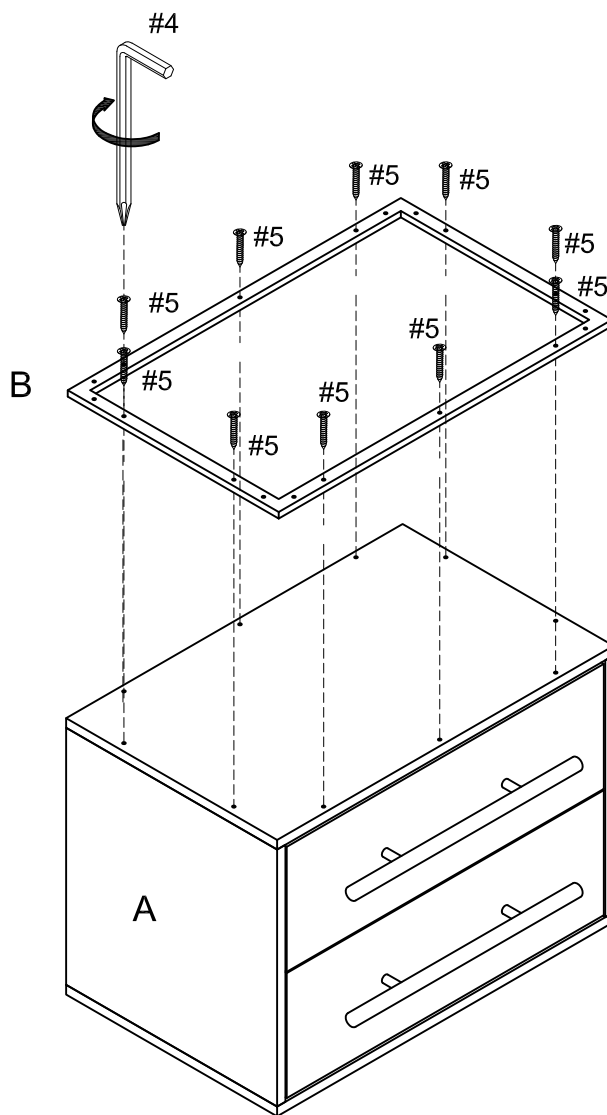
2) Then use allen key #4 to screw the bolt by rotating clockwise and install the knob outside the drawer.





#4  x 1

## STEP 2:

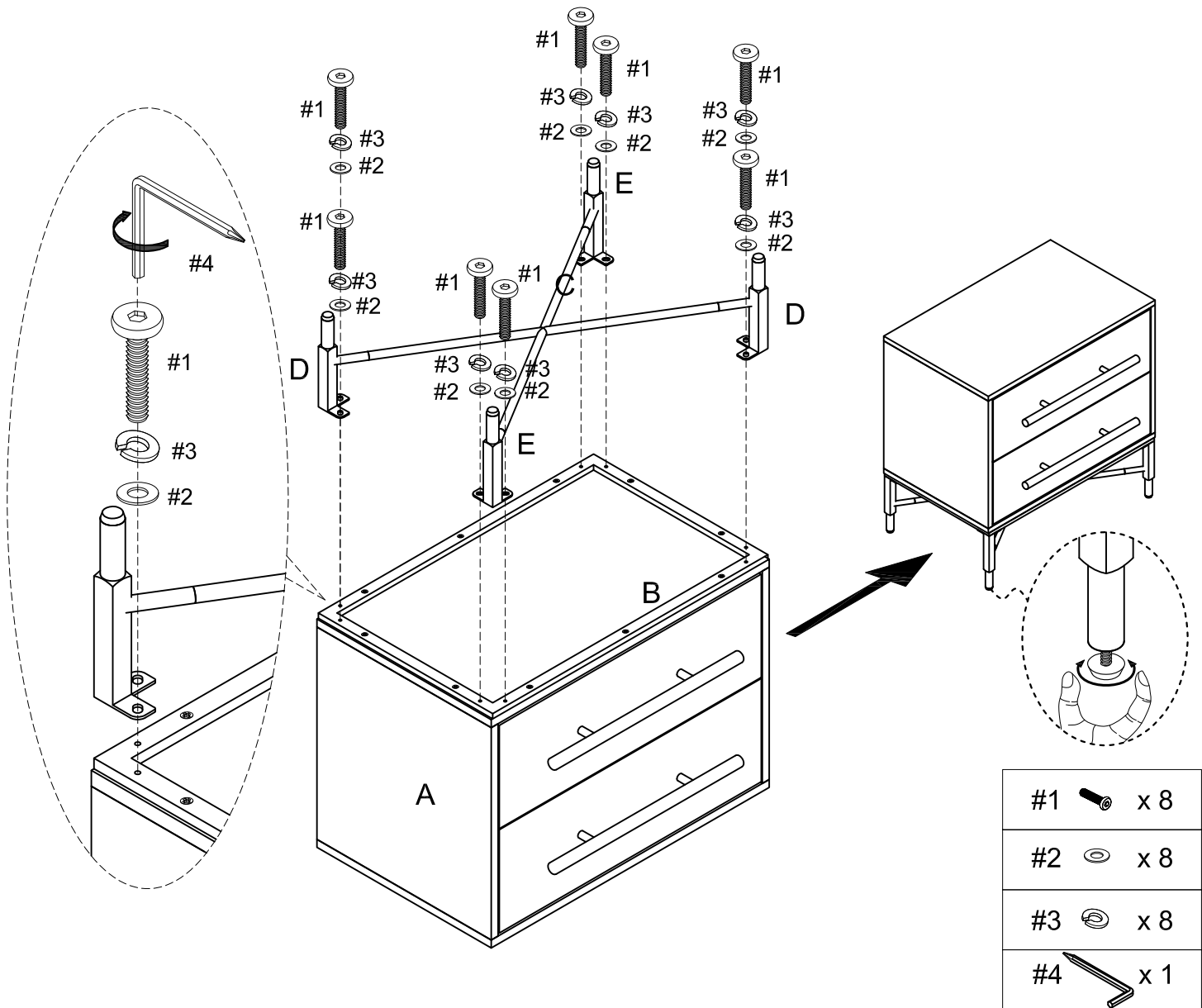
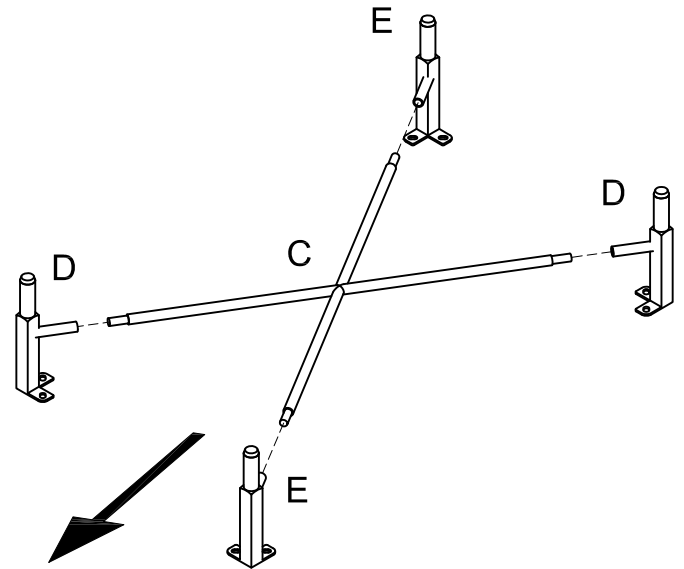
1) Use allen key #4 and screw #5 to attach leg support B to cabinet A , make sure all holes aligned and tighten all screws to secure.







|    |   |      |
|----|---|------|
| #4 |  | x 1  |
| #5 |  | x 10 |

### STEP 3:

- 1) Insert leg D&E into the trestle C.
- 2) Use bolt #1、 spring washer #3 and flatwasher #2 to attach preassemble unit C&D&E to preassemble step 2, make sure all holes aligned and tighten all bolts to secure with allen key #4.
- 3) After installation, adjust the adjustable leveler to keep the cabinet balanced .



|    |   |     |
|----|---|-----|
| #1 |  | x 8 |
| #2 |  | x 8 |
| #3 |  | x 8 |
| #4 |  | x 1 |



# WARRANTY

We strive to offer high-quality products, and we also try our best to satisfy each and every customer that orders from us with product or service as needed. We provide 30 days warranty starting from the time you receive the item. Each customer must provide a record of their order such as the order number, or item receipt for any items that are out of the warranty period you may also still receive replacement parts by purchasing them with our company if they are available.

**Are you having difficulty  
with assembly? Missing parts?  
Please send email with your order No**

**[customerservice@hulalahome.com](mailto:customerservice@hulalahome.com)**

**For return, please check the return policy with  
the retailer or market place you bought from.**

**Appreciate your purchasing from us.  
Pop up your life by our furniture piece!**