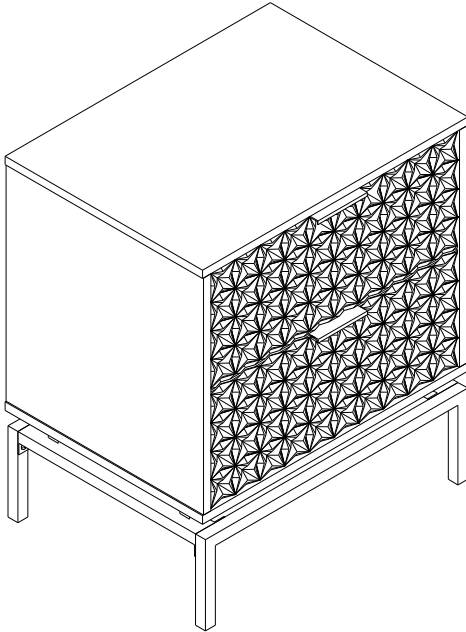


HULALA

H O M E



ITEM NO.NSSD0731

NOTE:

This brochure contains IMPORTANT safty info. Please read and keep for future reference.

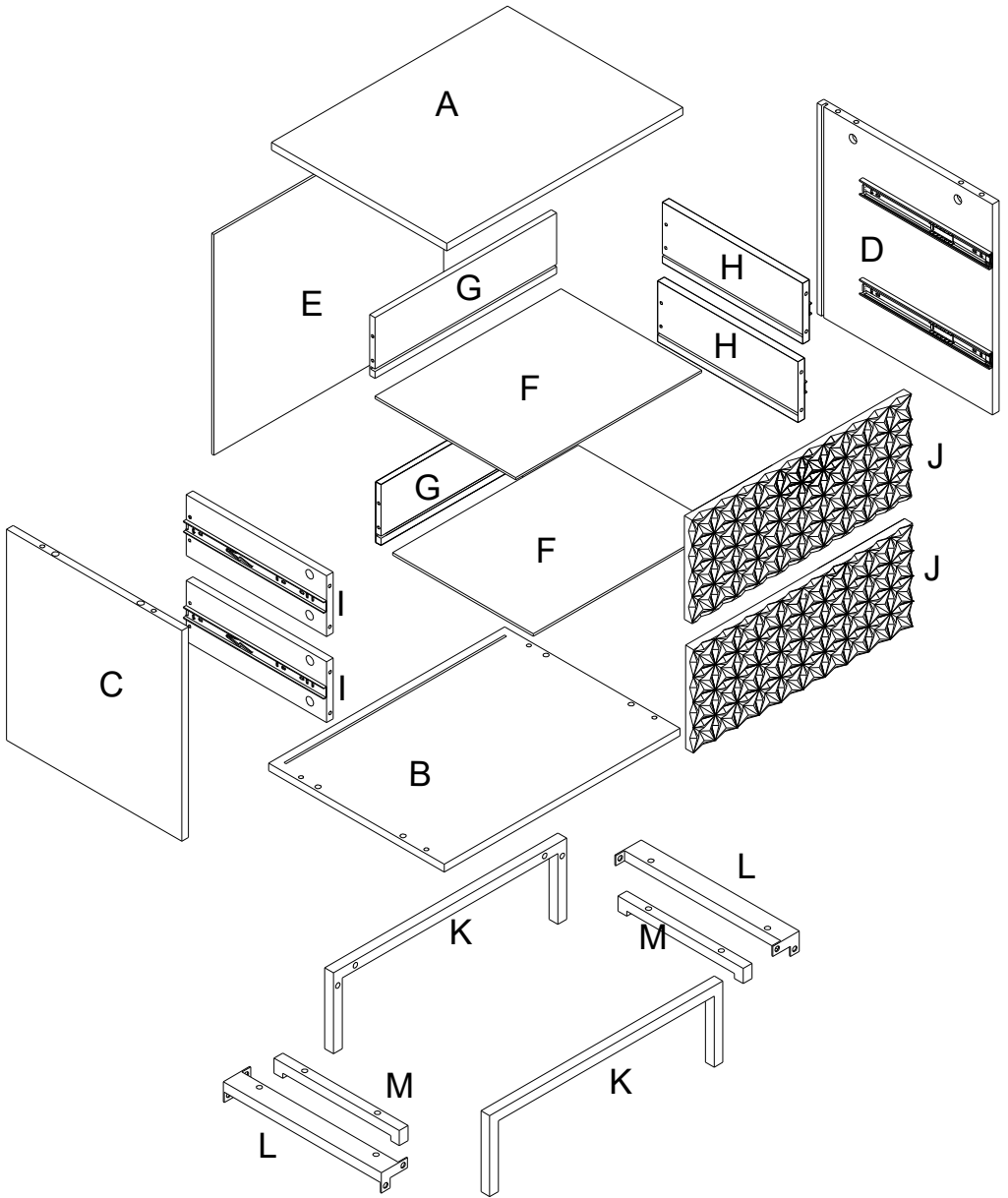
MAINTAINANCE AND WARNING

- Keep furniture away from heat sources.
- Do not clean furniture with harsh cleaner or polishes. Do not use detergents, Solvents, abrasives, spray packs or leather cleaner. Use non-color mild soap with warm water to clean spills (Mix 1:10 soap to water)
- Do not place furniture under direct sunlight, material will possibly fade over time.
- Do not use on site dry Cleaning machine. Children should not climb or jump on the furniture.
- Do not write on furniture that is not protected by a padded barrier .
- Not for commercial use, only for residential use.



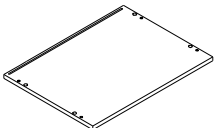
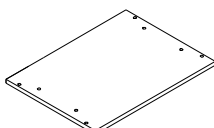
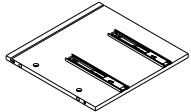
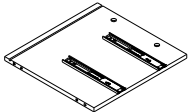
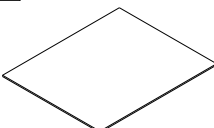
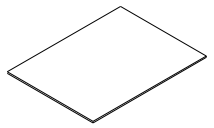
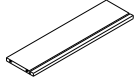

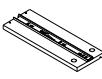
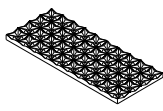
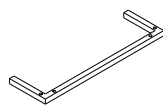
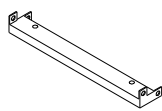
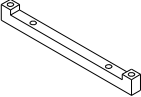
Weight Limitation

80LBS

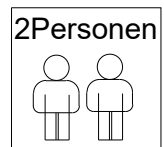


OVERVIEW


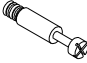
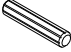






HARDWARE LIST

<p>A</p> 	<p>B</p> 	<p>C</p> 	<p>D</p> 
<p>1 PC</p>	<p>1 PC</p>	<p>1 PC</p>	<p>1 PC</p>
<p>E</p> 	<p>F</p> 	<p>G</p> 	<p>H</p> 
<p>1 PC</p>	<p>2 PCS</p>	<p>2 PCS</p>	<p>2 PCS</p>
<p>I</p> 	<p>J</p> 	<p>K</p> 	<p>L</p> 
<p>2 PCS</p>	<p>2 PCS</p>	<p>2 PCS</p>	<p>2 PCS</p>
<p>M</p> 			
<p>2 PCS</p>			


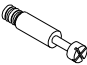





Persons Required For Assembly:



PARTS LIST 1


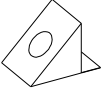
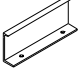

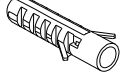


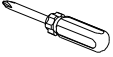
①	x12	②	x12	③	x8	④	x12	⑤	x10
									
⑥	x4	⑦	x8	⑧	x4	⑨	x4		
									

SPARE

①	x1	②	x1	⑤	x1	⑥	x1	⑦	x1
									
⑧	x1	⑨	x1						
									

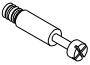
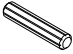
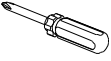
Be sure to inspect all packing material carefully for small parts, that may have come loose inside the carton during shipment.

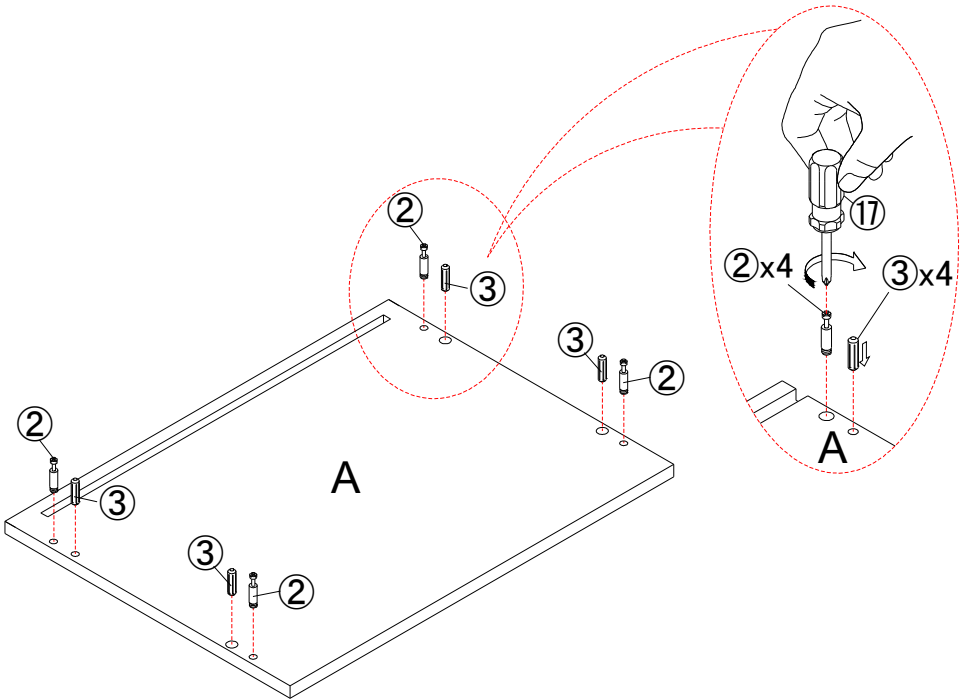
PARTS LIST 2

⑩	x1	⑪	x6	⑫	x2	⑬	x2	⑭	x2
									
⑮	x1	⑯	x12	⑰	x1				
									

Be sure to inspect all packing material carefully for small parts, that may have come loose inside the carton during shipment.



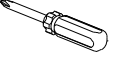
ASSEMBLY INSTRUCTIONS

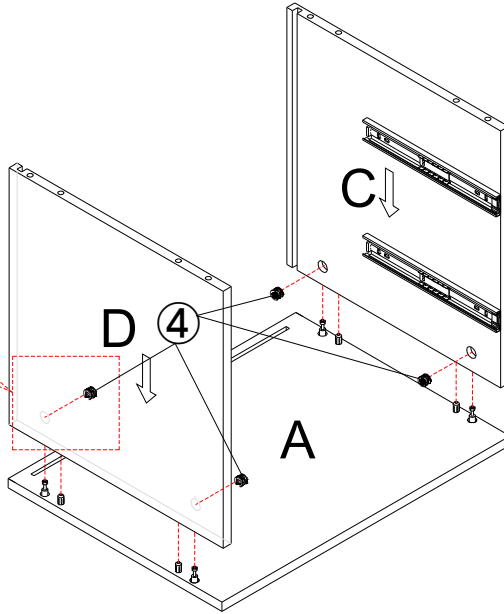
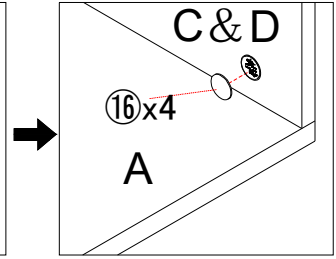
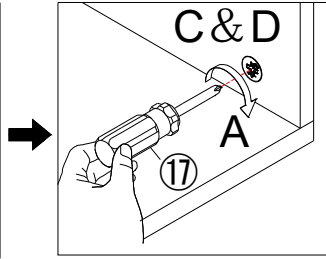
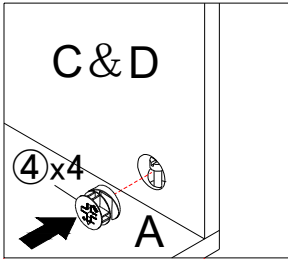
②	x4	③	x4	⑰	x1
					



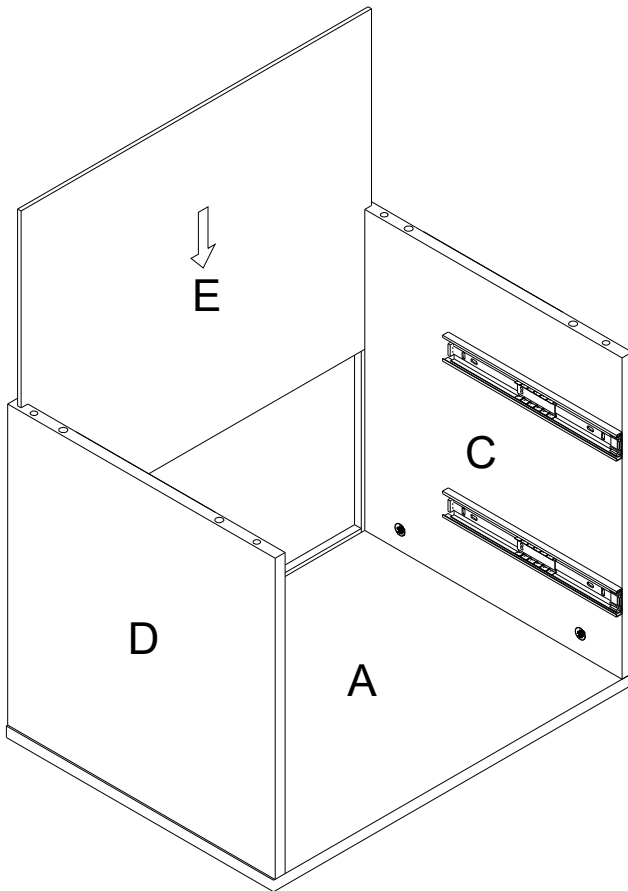
STEP1:

Prepare for part A. Align the holes in part A, insert wooden dowel ③ by hand, tighten with screwdriver ⑰ tighten ②.

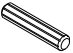


④	x4	⑬	x4	⑰	x1
					

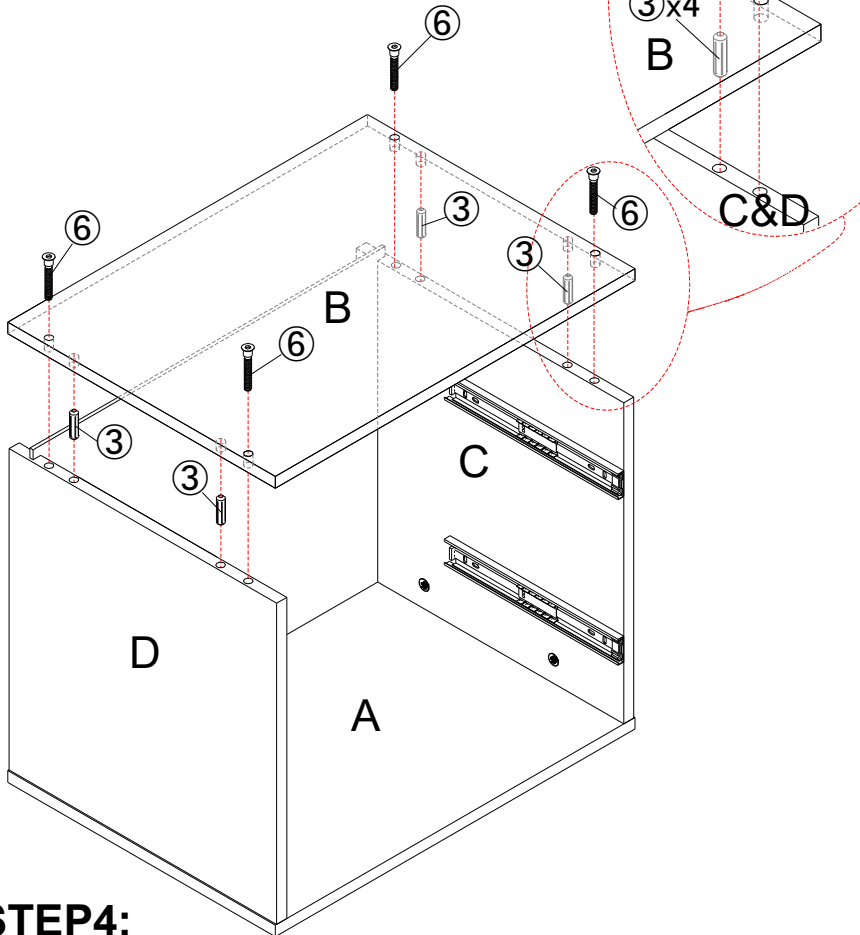


STEP2: Connect the part A with part C and D. align the hole in the part C,D insert the bolt ② and wooden dowel ③ in part A into part C,D. tighten with the nut ④. after installation, cover the screw holes with ⑬. Make sure the groove is in same side as picture show.





STEP3:slide in the part E into the groove in part C, D . make sure they are also in groove in part A.

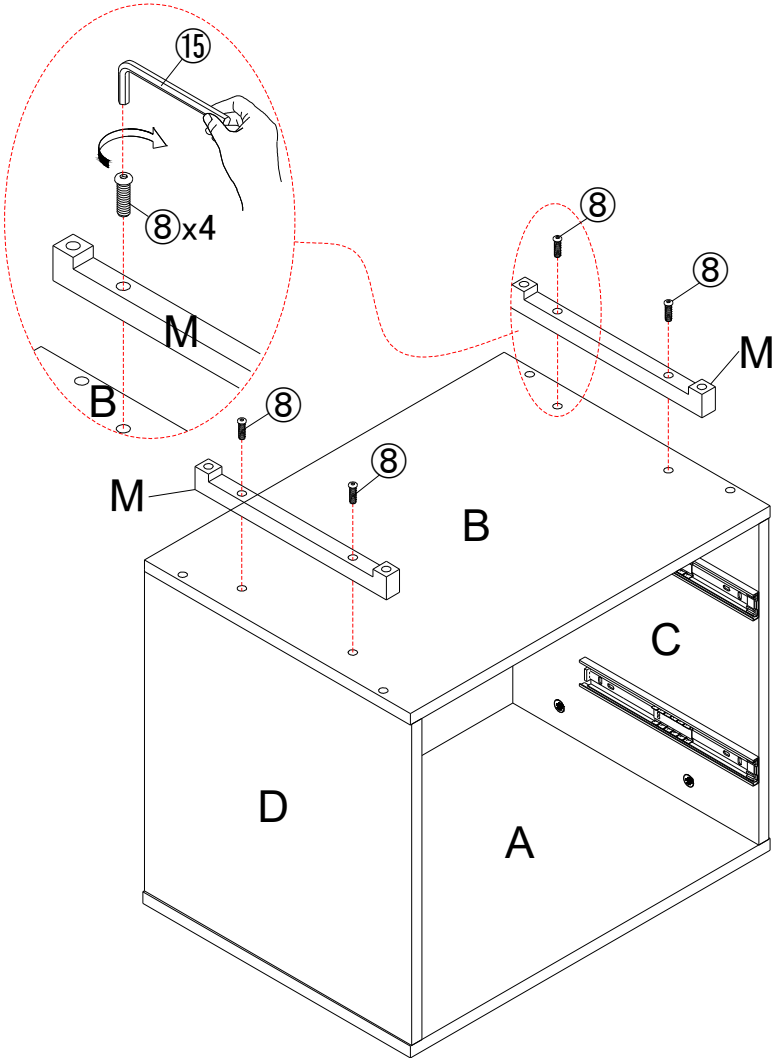
③	x4	⑥	x4	⑮	x1
					



STEP4:



Connect the part B the pre-assembled unit in step 3. Insert the wooden dowel ③ into the part D,C as the picture show. Then align the holes in part B,Insert screw ⑥ and push it down so that it connects to parts C, D. Next,and tighten the screw ⑥ with an Allen key⑮.


⑧	x4	⑮	x1
			

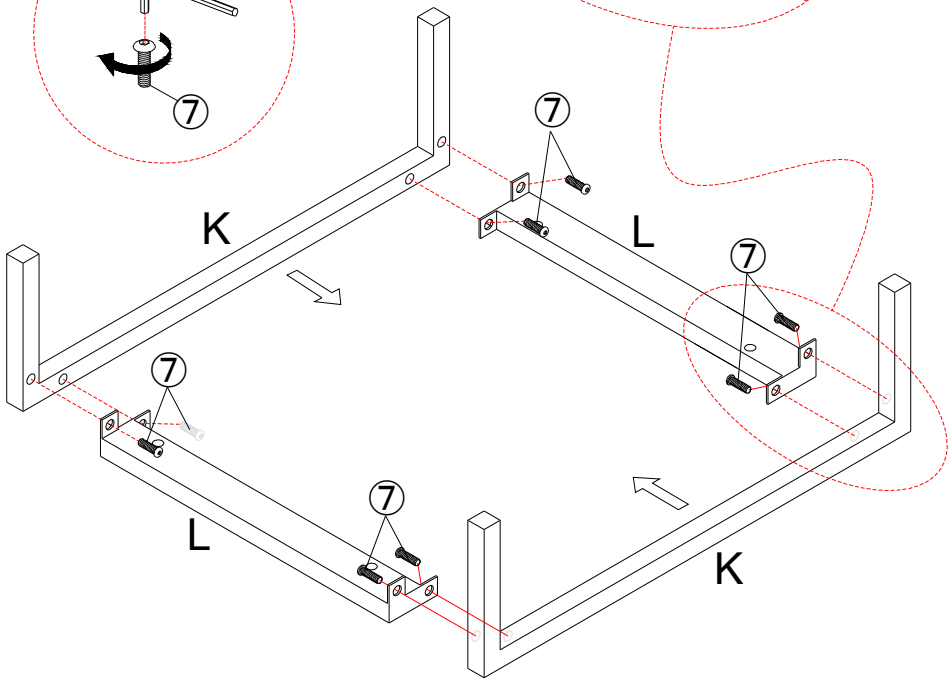
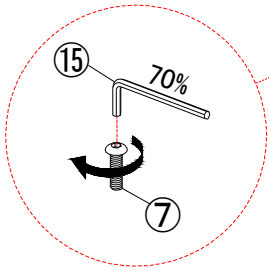
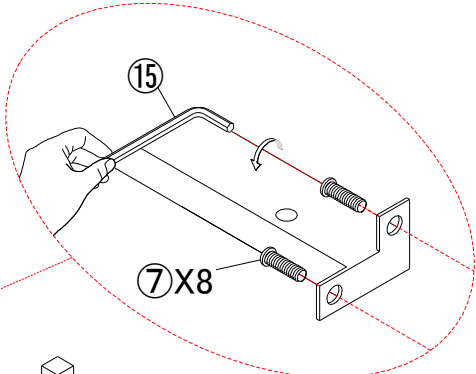


STEP5:

Align the hole in part M of the leg frame with the hole in part B, screw in screw ⑧, and tighten it with a allen key ⑮.

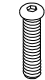

⑦	x8	⑮	x1
			

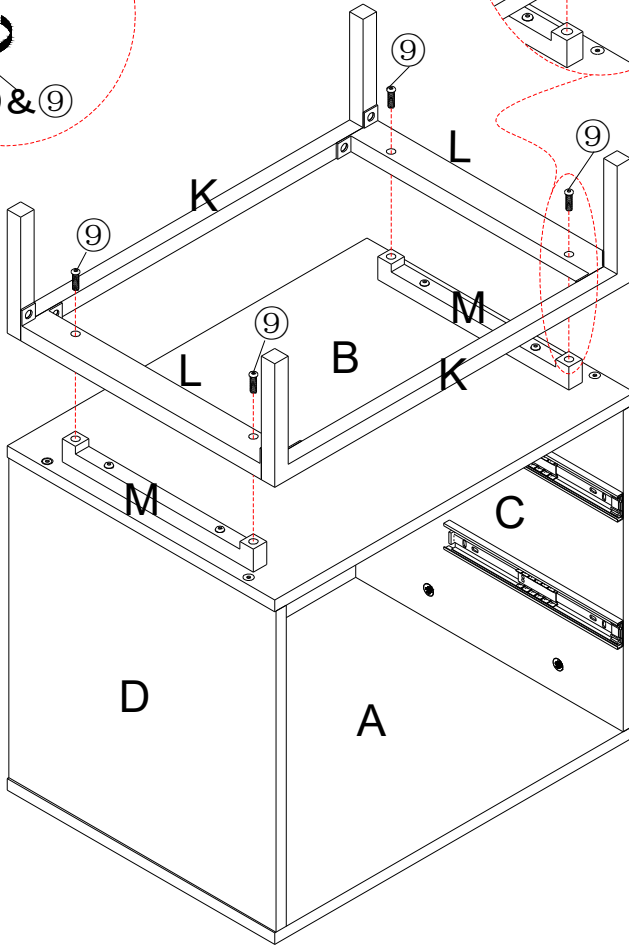
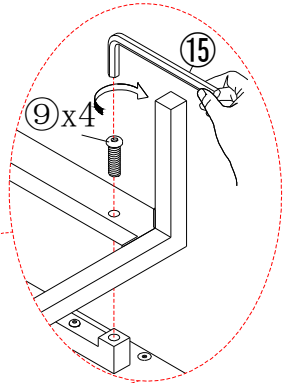
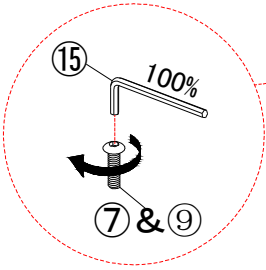
 Caution: Don't fasten ⑦ bolt until end of step 7!



STEP6:



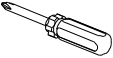
Prepare the leg racks. Align the holes of the K part with the holes of the L part, install the screw ⑦, and tighten the screw ⑦ with the allen key ⑮.

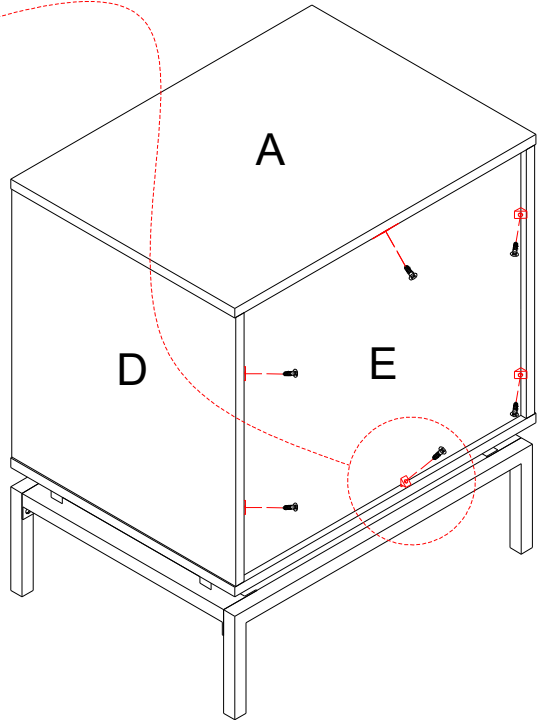
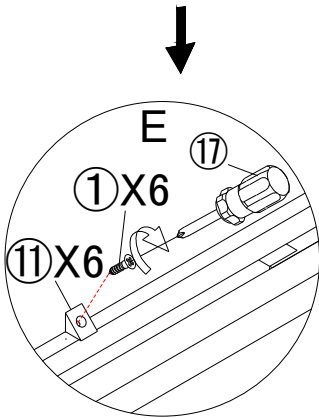
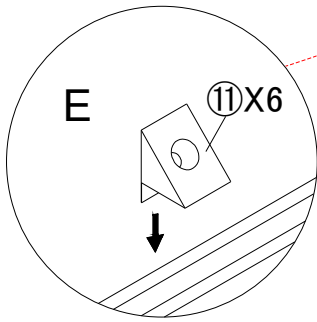
⑨	x4	⑮	x1
			




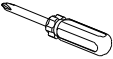
STEP7:

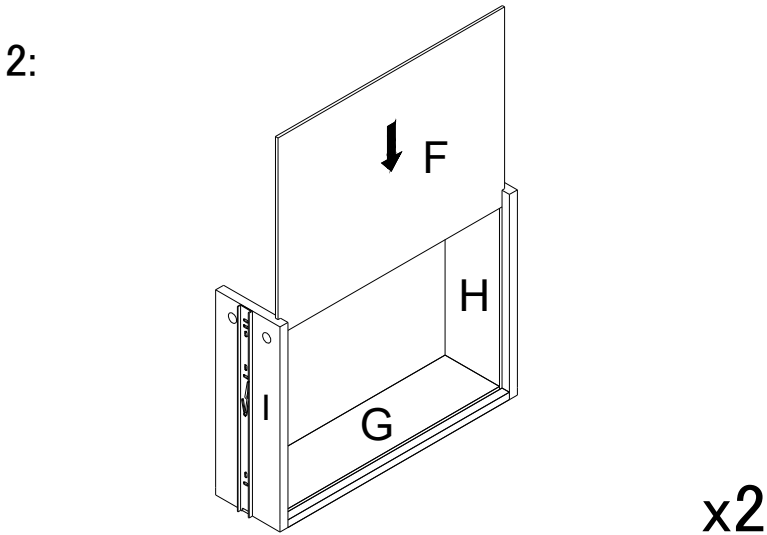
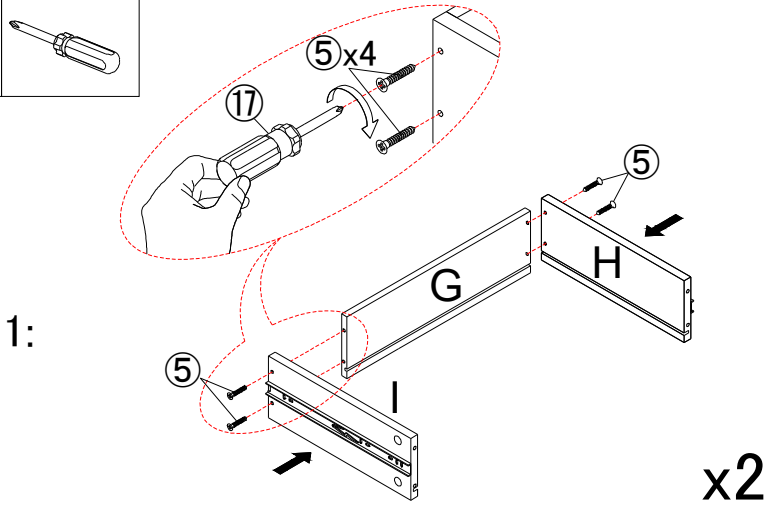
connect the leg frame to the cabinet. Attach the leg frame to the pre-assembled unit in step 5 with a screw ⑨ and tighten with a ⑮ allen key.

①	x6	⑪	x6	⑰	x1
					



STEP8: Insert hardware ⑪ into part E as shown, screw in screw ① using screwdriver ⑰ and tighten fully.

⑤	x8	⑰	x1
			



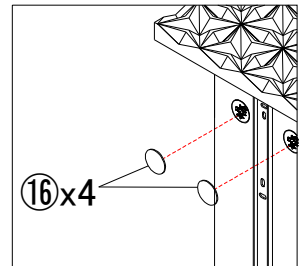
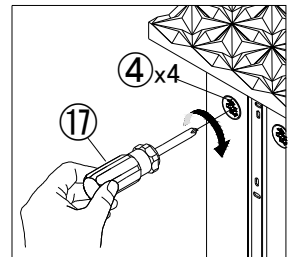
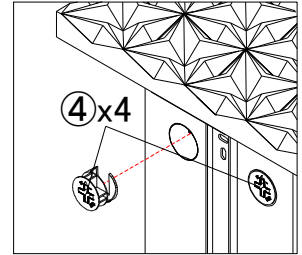
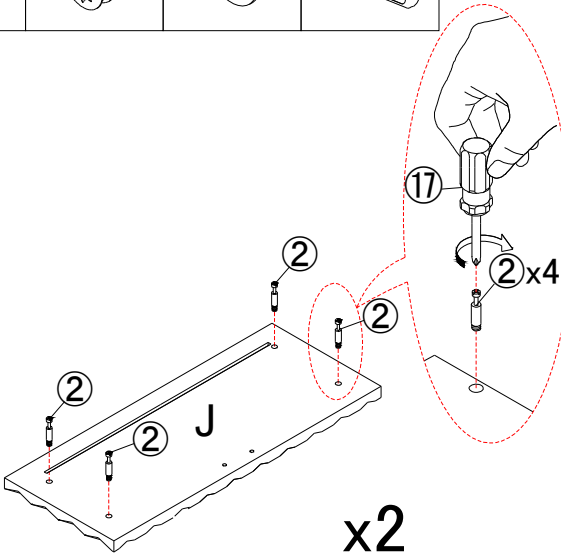
STEP9:

Align the holes of part G with the holes of parts H and I, put the screw ⑤ into the holes and tighten the screw ⑤ with a screwdriver ⑰.

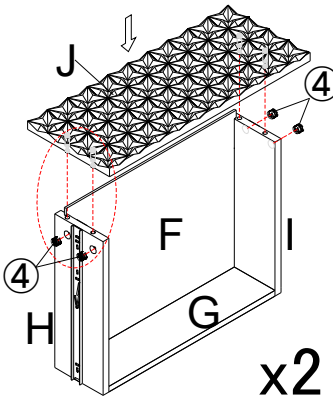
Slide in the part F into the groove in part H, I. make sure they are also in groove in part G.

②	x8	④	x8	⑬	x8	⑰	x1

1:


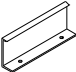
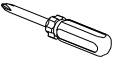


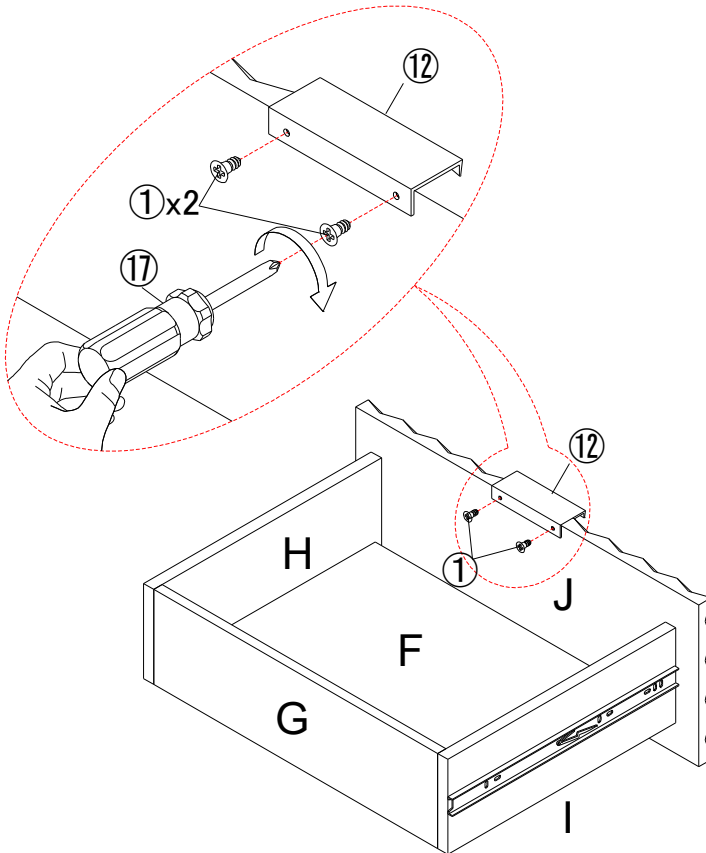
2:



STEP10:

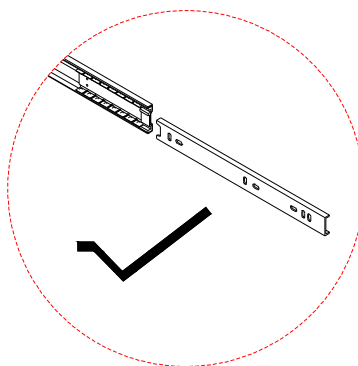
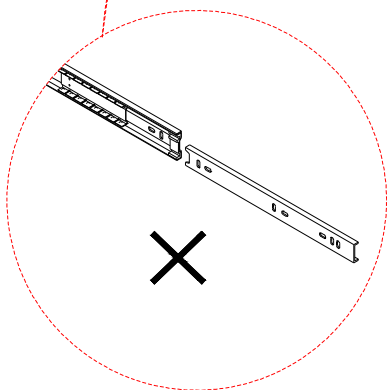
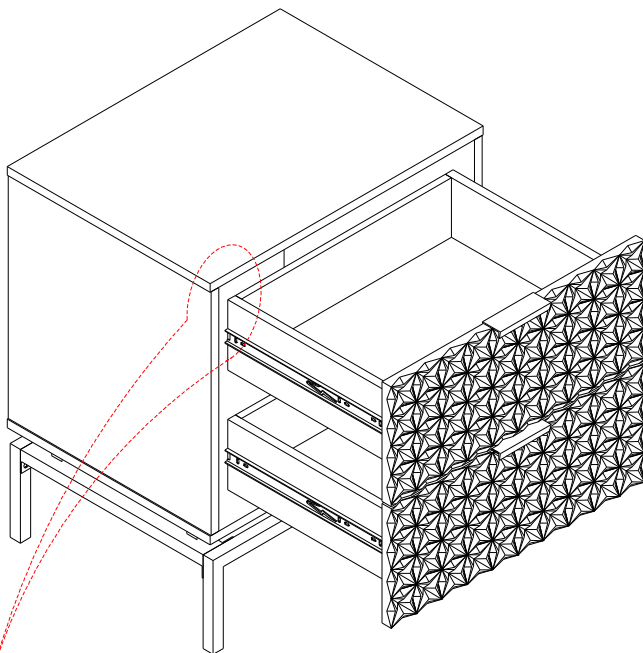
Prepare for part J. Align the holes in part J, insert screw ② and with screwdriver ⑰ tighten .Connect the part J with part H and I. align the hole in the part (H,I),insert the bolt ② in part J into part H,I. tighten with the nut ④. after installation, cover the screw holes with ⑬.Make sure the groove is in same side as picture show.

①	x4	⑫	x2	⑰	x1
					



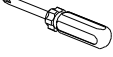


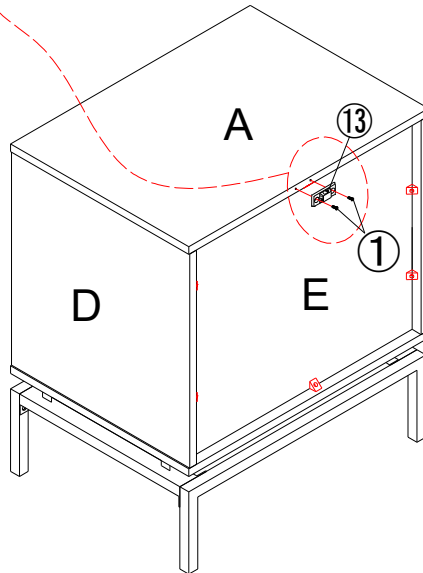
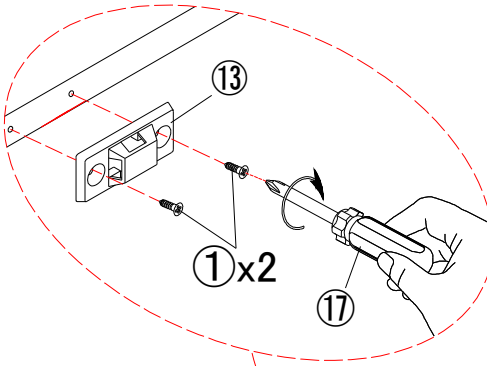
x2

STEP11: Use bolt ① to attach handle ⑫ to door panel J, tighten bolts with screwdriver ⑰.






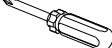
STEP12:

①	x2	⑬	x1	⑰	x1
					

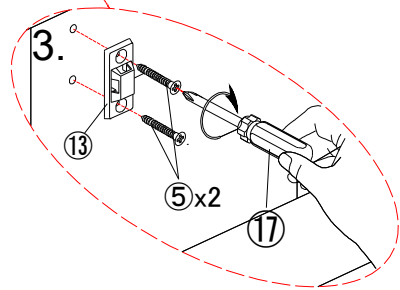
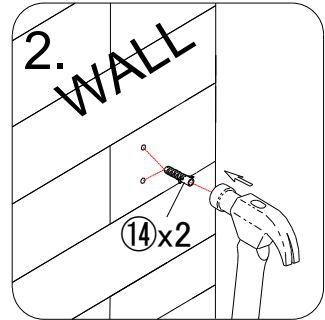
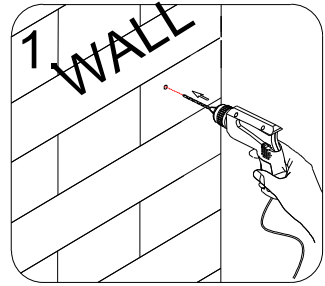
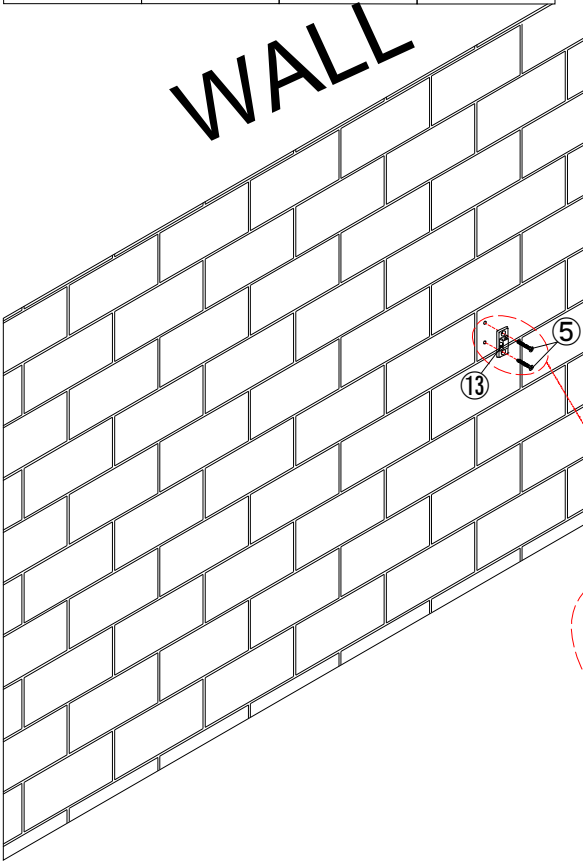


STEP13:

Attach part ⑬ to side panel A with bolt ① and tighten the bolt with screwdriver ⑰.

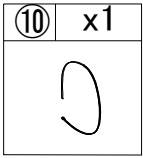
⑤	x2	⑬	x1	⑭	x2	⑰	x1
							

WALL

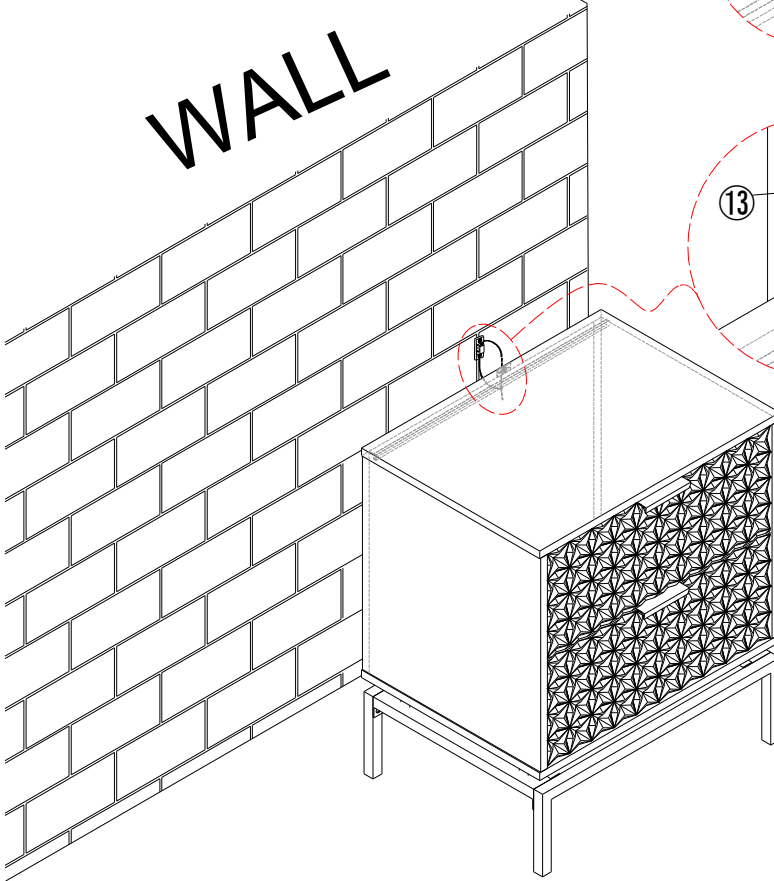


STEP14: Mark the position on the wall, that corresponds to the location of part ⑬ on the side panel A; Drill and insert the expandable screw ⑭ by hammer.

Assemble the part ⑬ to the wall. Align the hole in the part ⑬ with the expandable screw ⑭, use screw ⑤ to attach it and tighten by screwdriver ⑰.



WALL



STEP15:

Let the plastic belt ⑩ pass through the both part ⑬ and pull tightly.

WARRANTY

We strive to offer high-quality products, and we also try our best to satisfy each and every customer that orders from us with product or service as needed. We provide 30 days warranty starting from the time you receive the item. Each customer must provide a record of their order such as the order number, or item receipt for any items that are out of the warranty period you may also still receive replacement parts by purchasing them with our company if they are available.

Are you having difficulty
with assembly? Missing parts?
Please send email with your order No to
customerservice@hulalahome.com
For return, please check the return policy with
the retailer or market place you bought from.

Appreciate your purchasing from us.
Pop up your life by our furniture piece!