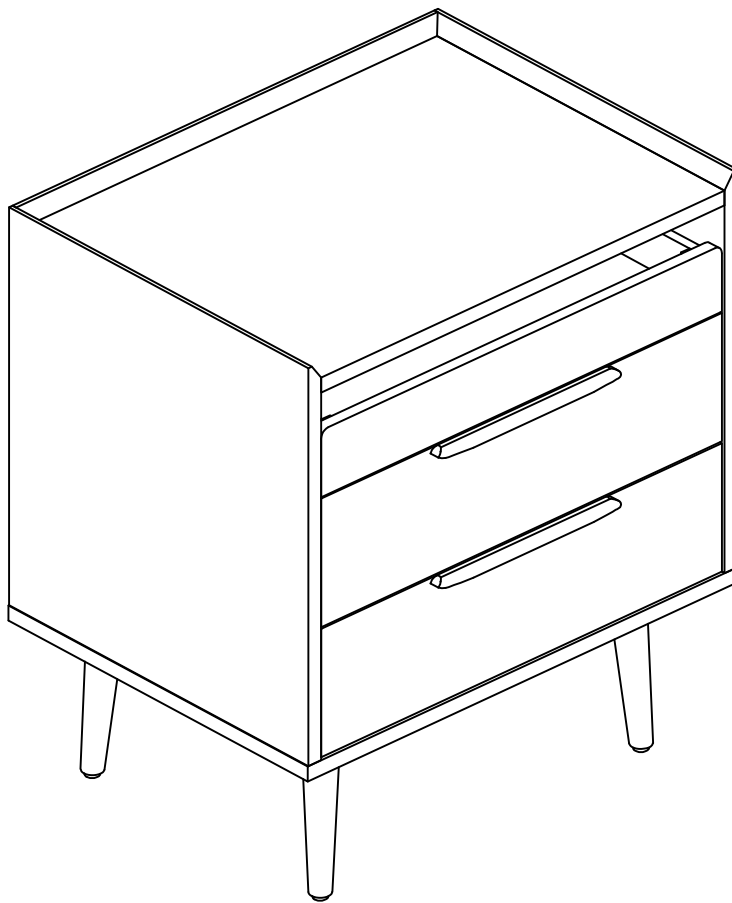


HULALA

H O M E



ITEM NO.NSYL0821

NOTE:

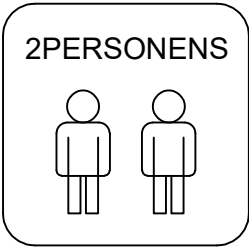
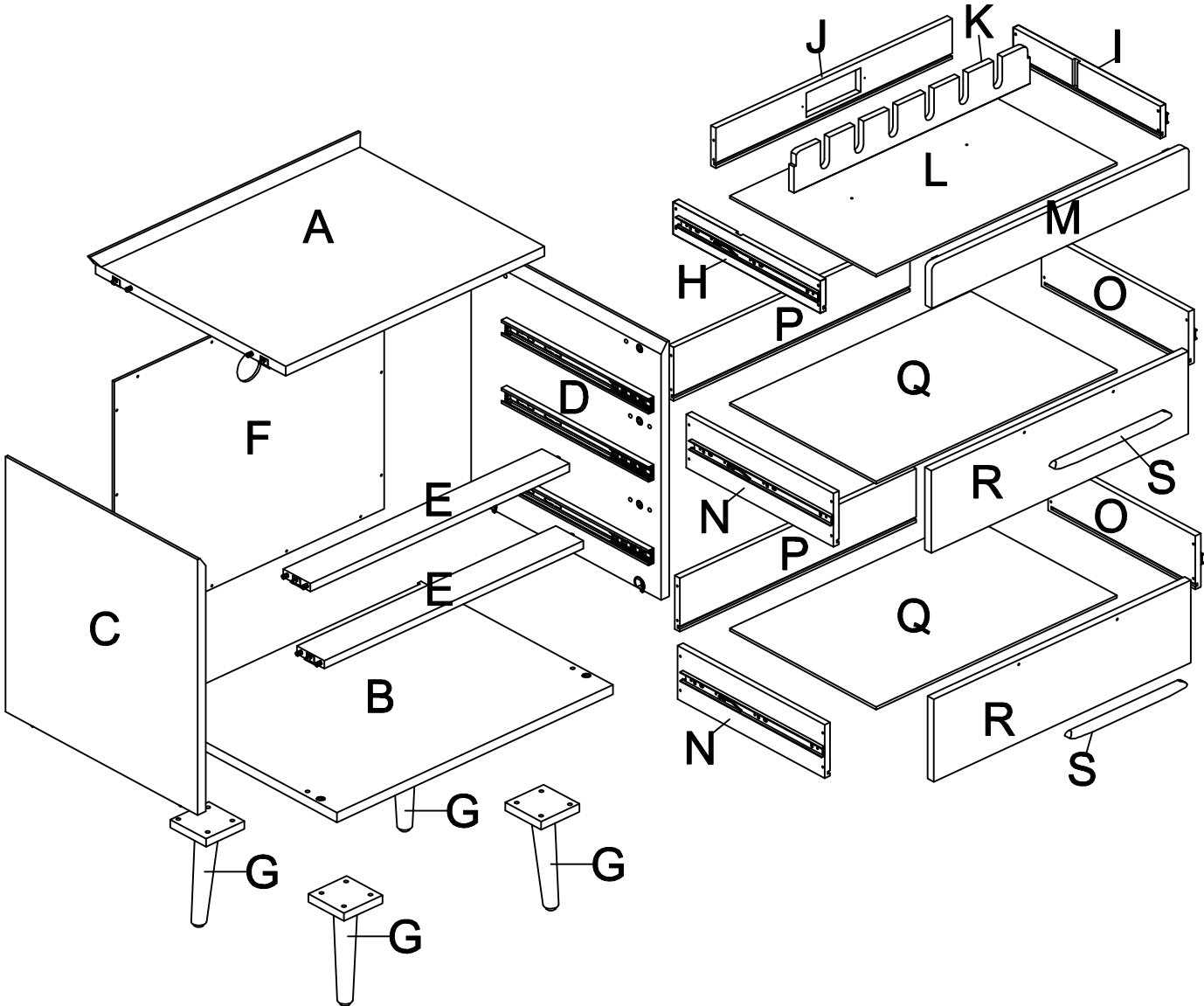
This brochure contains IMPORTANT safety info. Please read and keep for future reference.

MAINTAINANCE AND WARNING

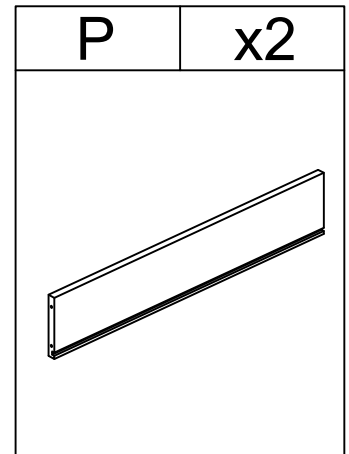
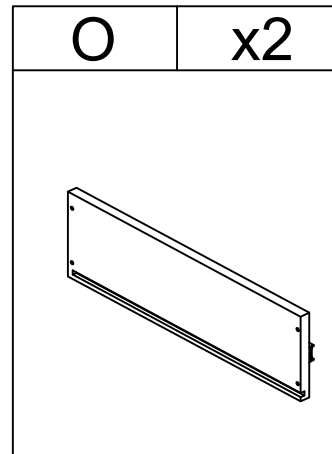
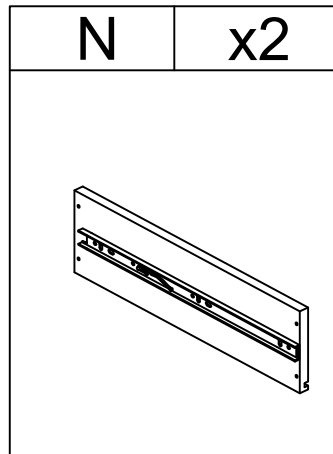
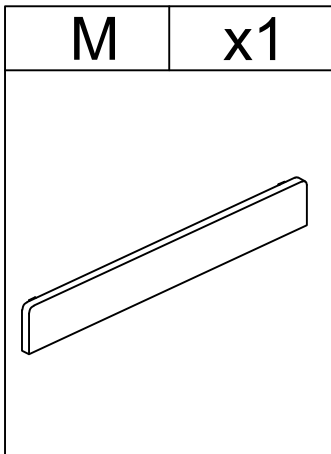
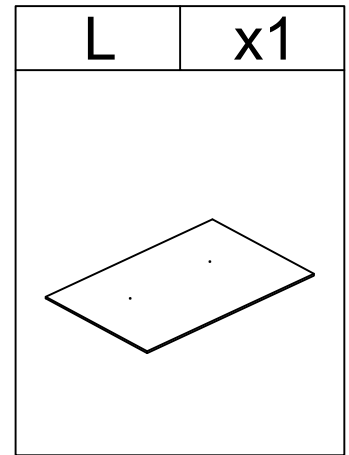
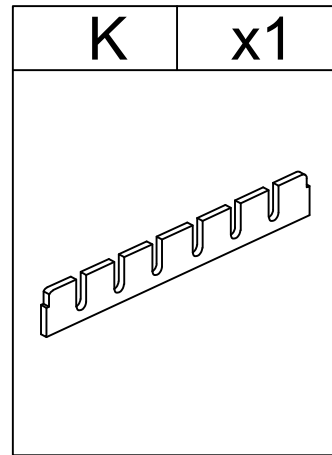
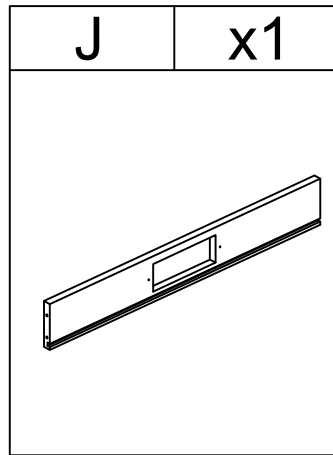
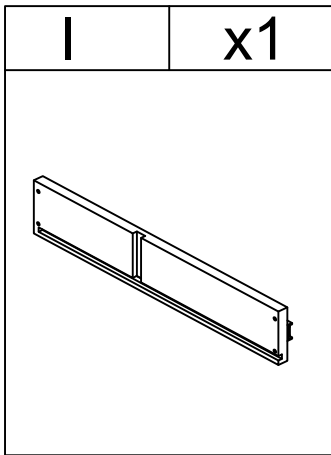
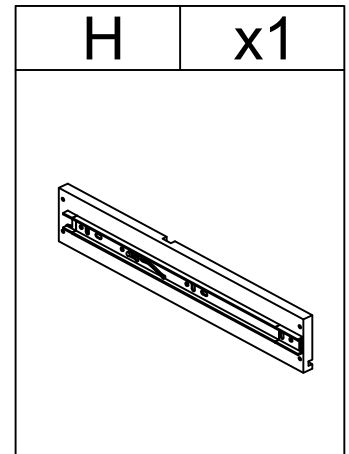
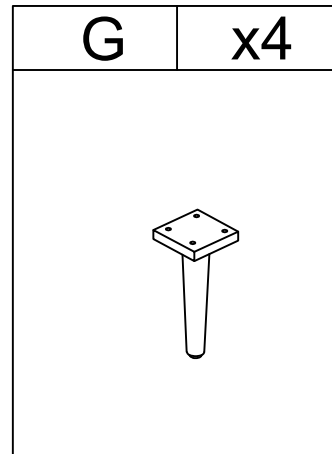
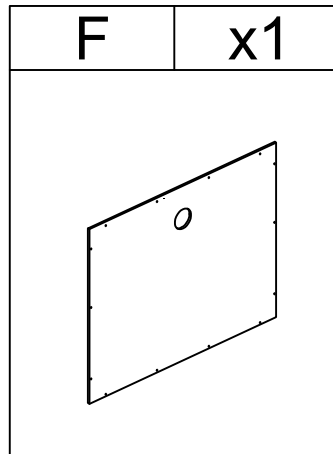
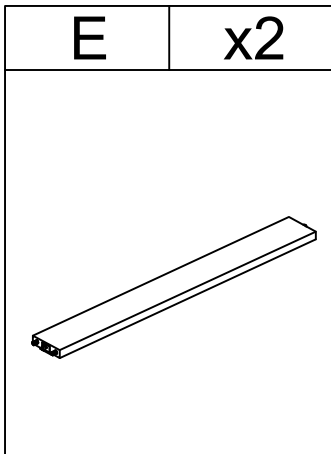
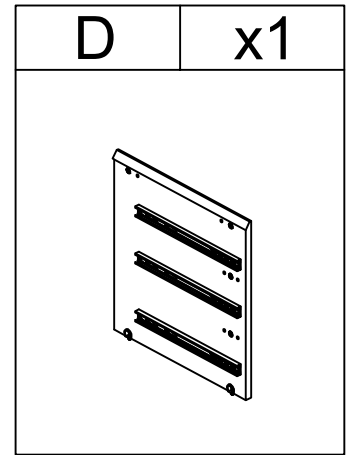
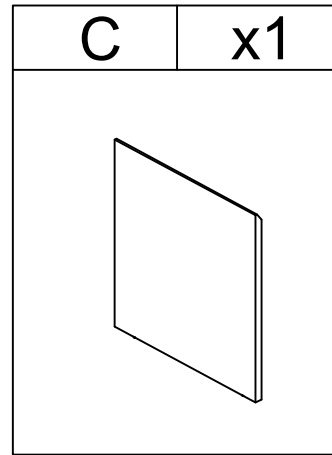
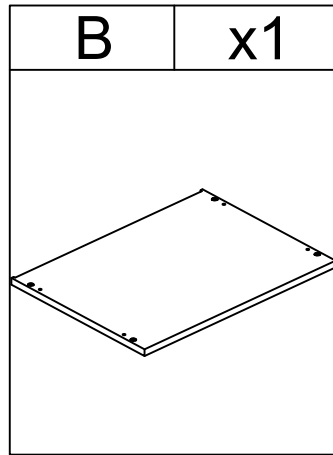
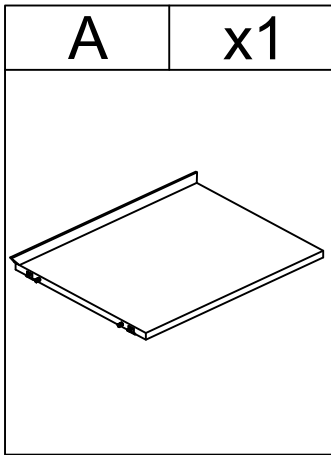
- 1.Keep furniture away from heat sources.
- 2.Do not clean furniture with harsh cleaner or polishes.Do not use detergents,solvents,abrasives,spray packs or leather cleaner. Use non-color mild soa with warm water to clean spills(Mix 1:10 soap to water).
- 3.Do not place furniture under direct sunlight,material will possibly fade over time.
- 4.Do not use on site dry cleaning machine.Children should not climb or jump on the furniture.
- 5.Do not write on furniture that is not protectedby a padded barrier.
- 6.Not for commercial use,only for residential use.



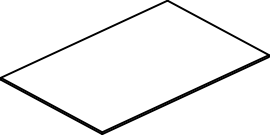
EXPLOSIVE VIEW

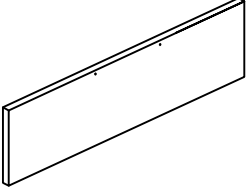


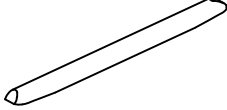
PARTS LIST 1



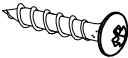



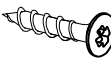
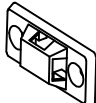



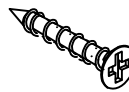
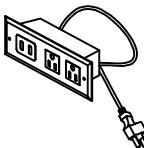
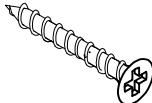


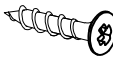
PARTS LIST 2

Q	x2
	


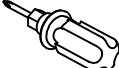
R	x2
	

S	x2
	

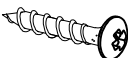


HARDWARE LIST

#1	x14	#2	x16	#3	x1	#4	x24	#5	x2	#6	x2
											
φ3*16mm		φ6*25mm				φ3*25mm		φ4*15mm			
#7	x1	#8	x1	#9	x2	#10	x2	#11	x1	#12	x2
											
						φ3*16mm				Ø3.5"*38mm	
#13	x2	#14	x4	#18	x1						
											
φ3*12mm		φ4*7.5mm		φ3*12mm							

TOOL LIST

#16	x1	#17	x1
			
M6			

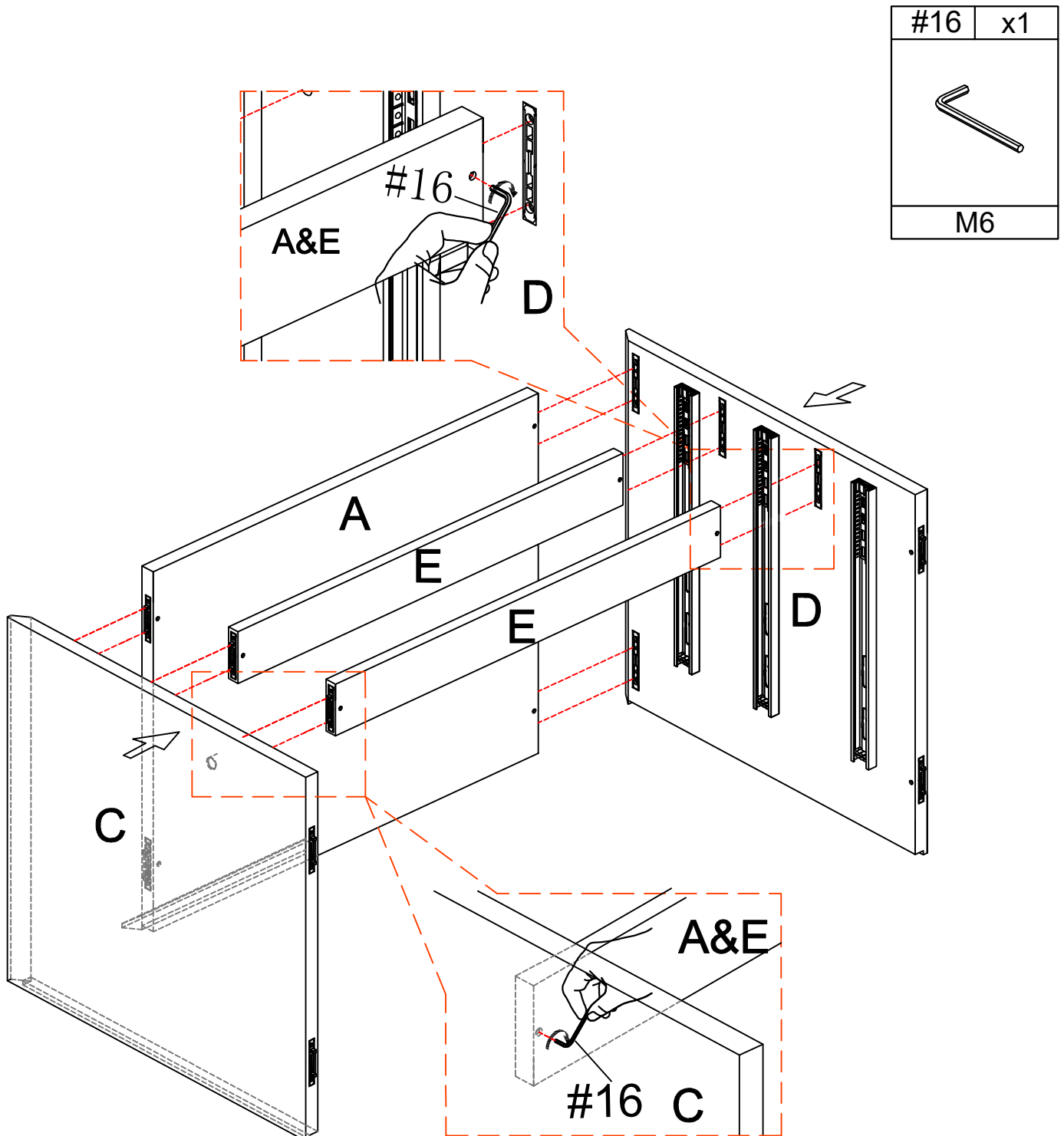
HARDWARE SPARE LIST

#1	x1	#2	x1	#4	x2
					
φ3*16mm		φ6*25mm		φ3*25mm	

ASSEMBLY INSTRUCTIONS

STEP-1

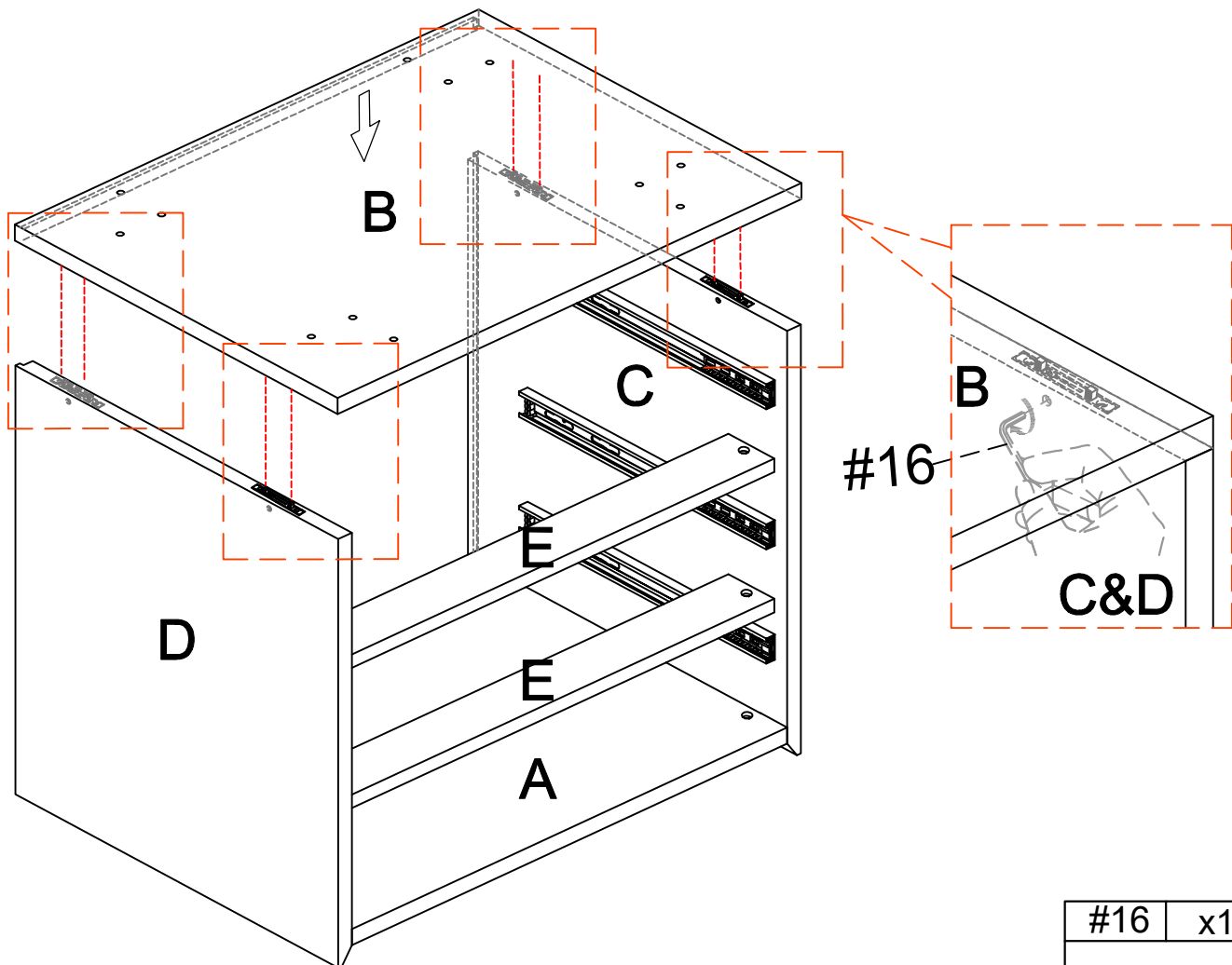
1. insert part (A/E) into panel(C/D), make sure all holes aligned and then tighten it with allen key #16 as picture show.




ASSEMBLY INSTRUCTIONS

STEP-2

1. insert pre-assembled unit at step 1 to top panel(B),make sure all holes aligned and then tighten it with allen key #16 as picture show.

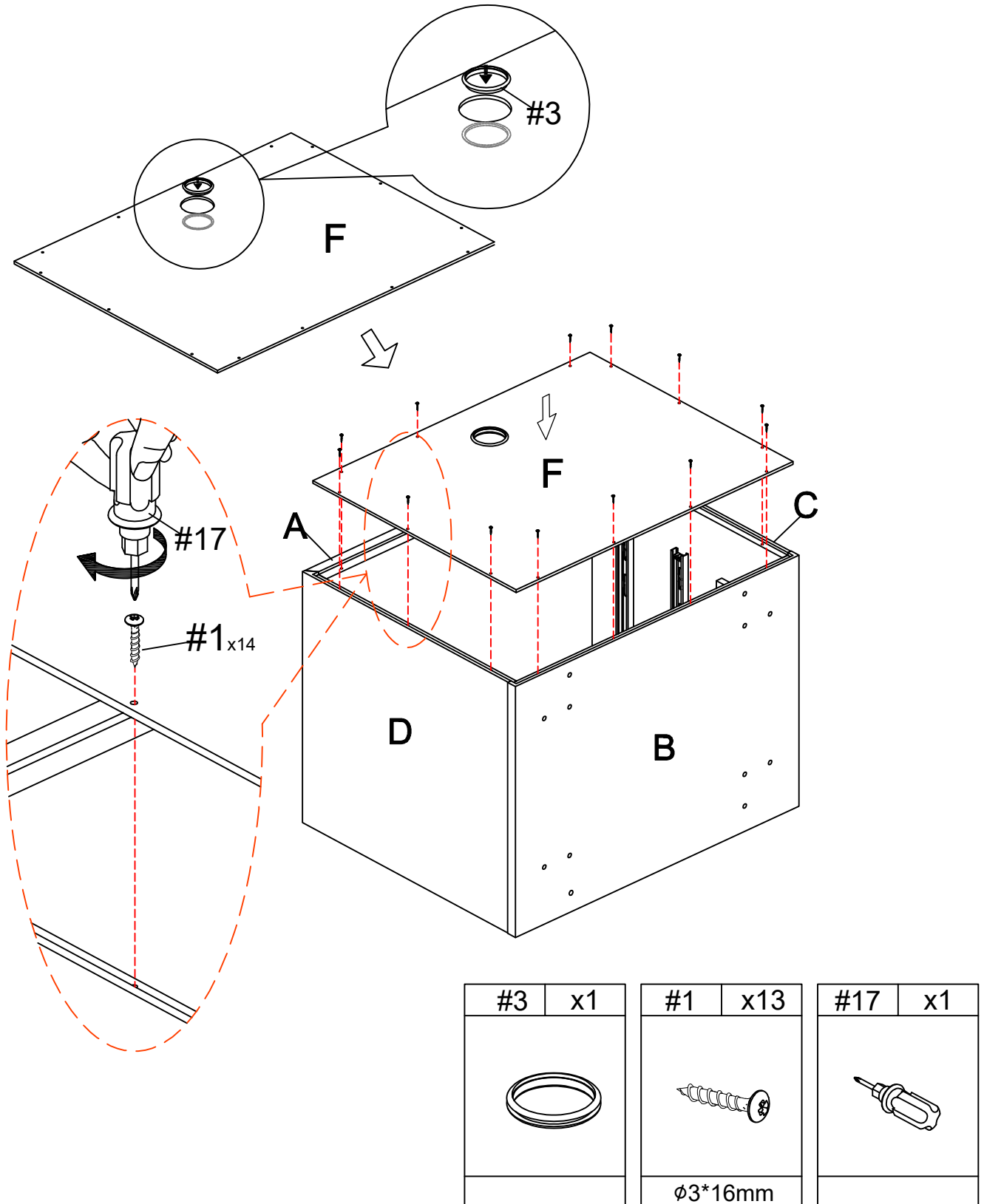


#16	x1
	
M6	

ASSEMBLY INSTRUCTIONS

STEP-3

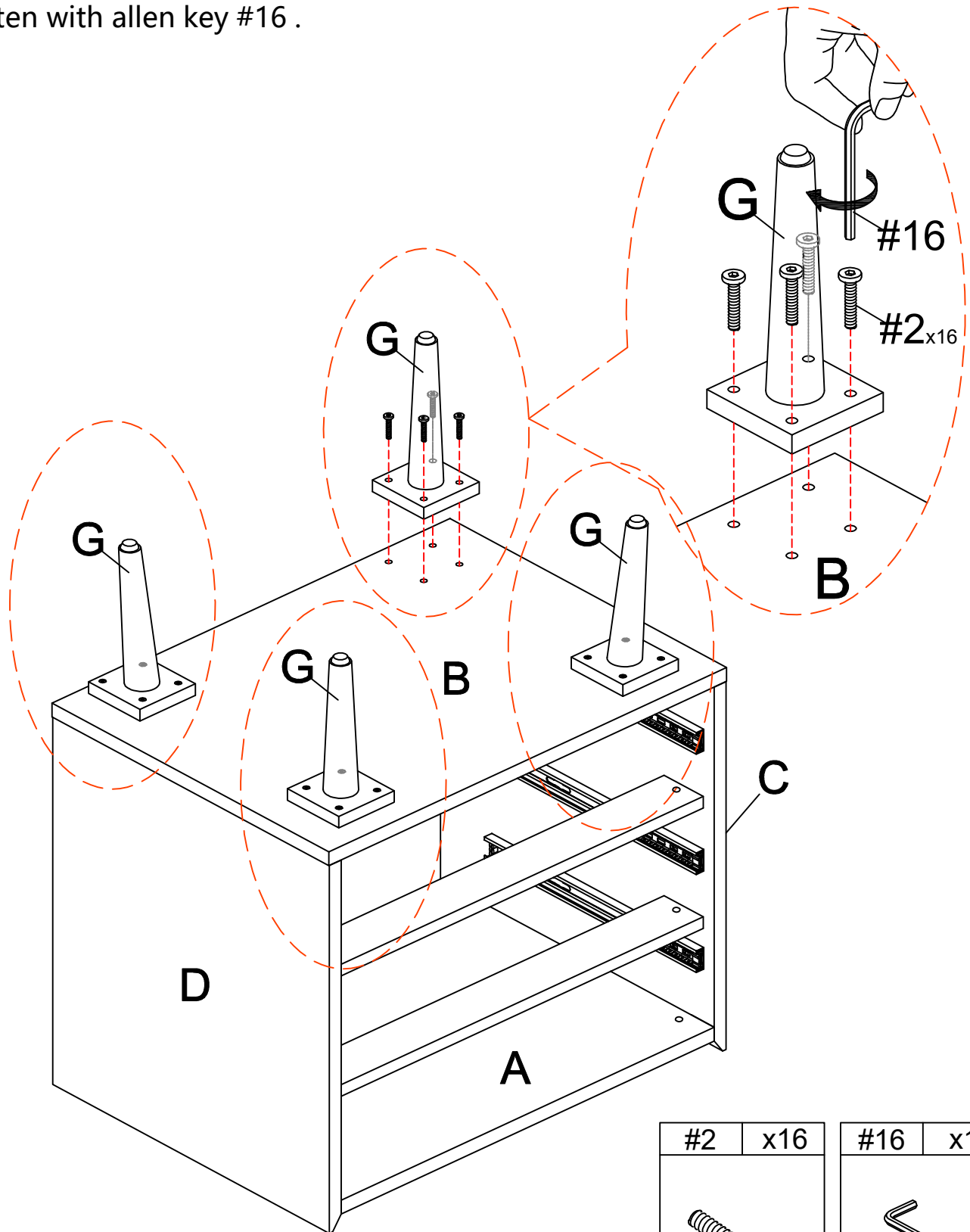
1. Insert the part #3 into the corresponding hole (F) by hand.
2. Attach back panel (F) to pre-assembled unit at step 2 with screw #1, and tighten it with screwdriver #17.


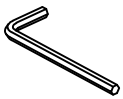


ASSEMBLY INSTRUCTIONS

STEP-4

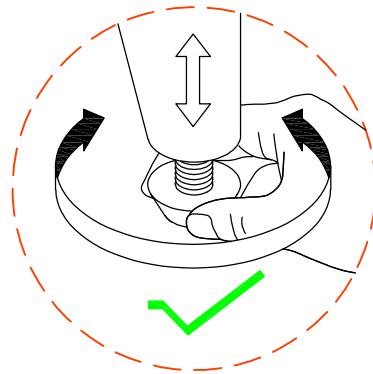
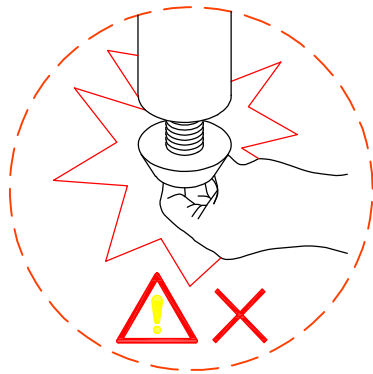
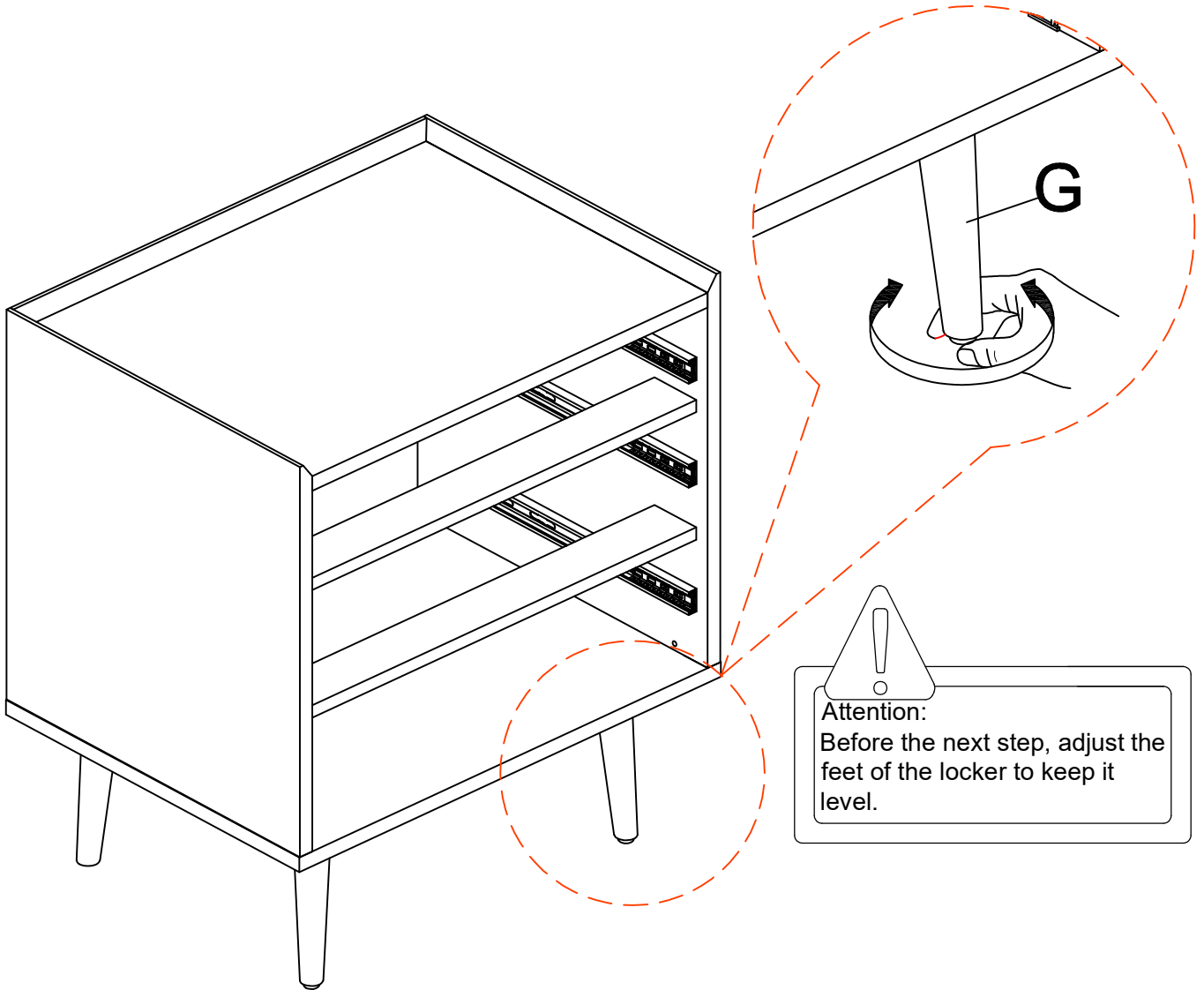
1. Attach the leg (G) to the pre-assembled unit in step 3 with #2 bolt and tighten with allen key #16.



#2	x16	#16	x1
			
ø6*25mm		M6	

ASSEMBLY INSTRUCTIONS

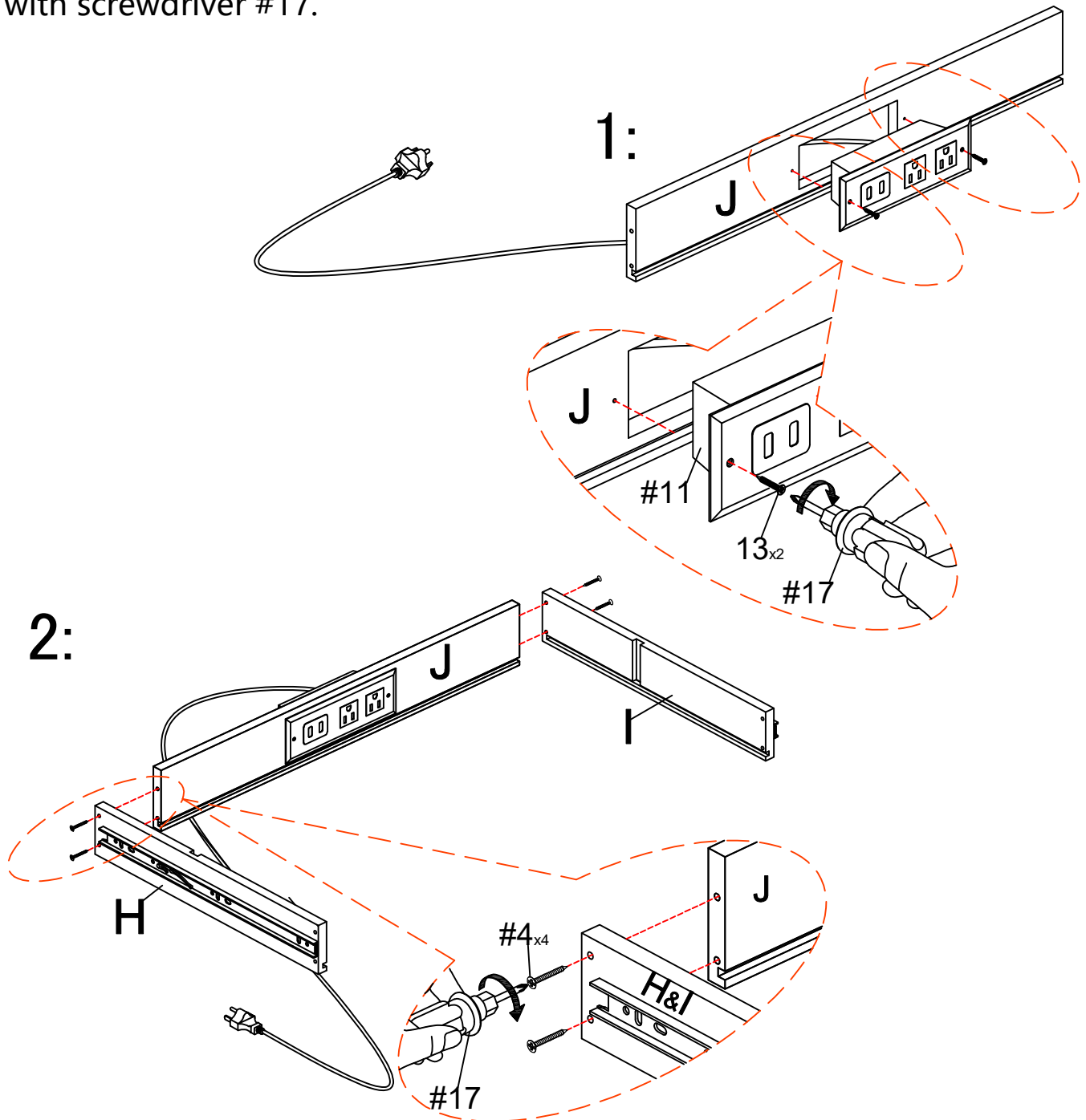
STEP-5


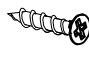
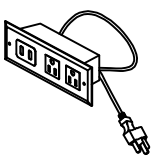
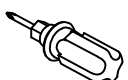


ASSEMBLY INSTRUCTIONS

STEP-6

1. Connect socket #11 to part J using screw #13. and tighten it with screwdriver #17. Connect part (H&I) to part J using screw #4 and tighten it with screwdriver #17.

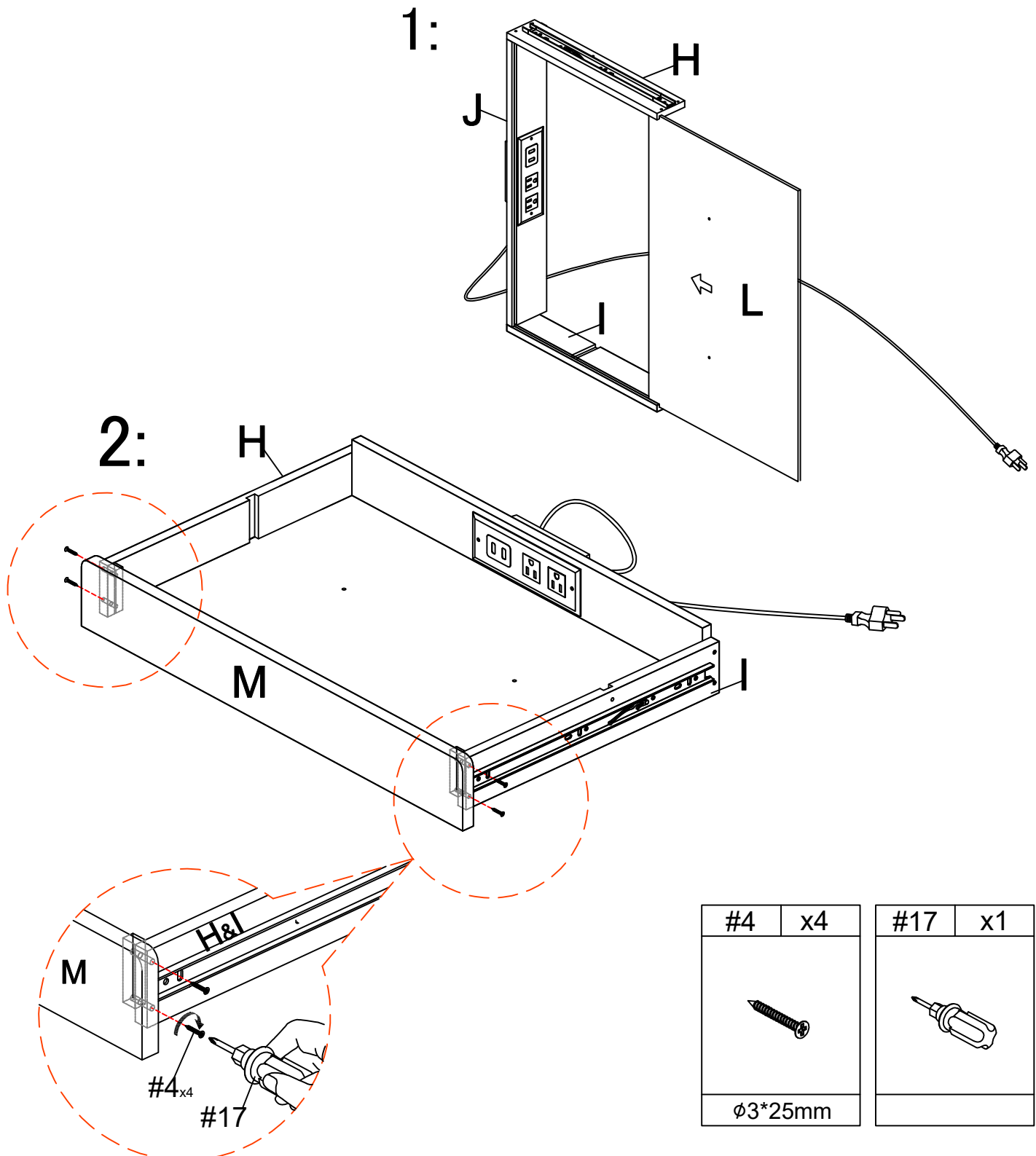


#4	x4	#13	x2	#11	x1	#17	x1
							
φ3*25mm		φ3*12mm					

ASSEMBLY INSTRUCTIONS

STEP-7

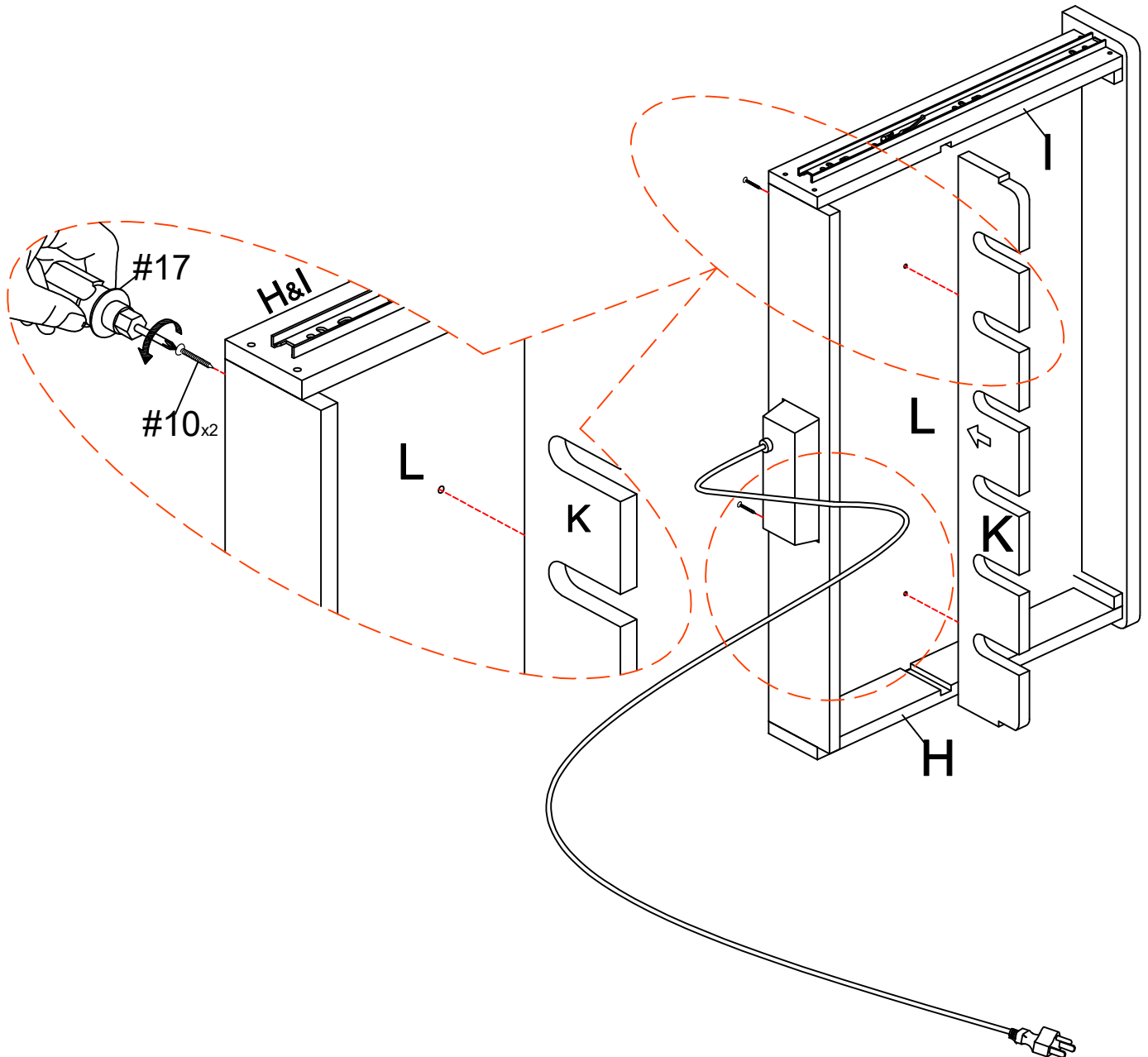
1. Slide in the part (L) into the groove in part (H&I). make sure they are also in groove in part (J). Connect (M) to (H&I) using screw #4 , and tighten it with screwdriver #17.


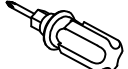


ASSEMBLY INSTRUCTIONS

STEP-8

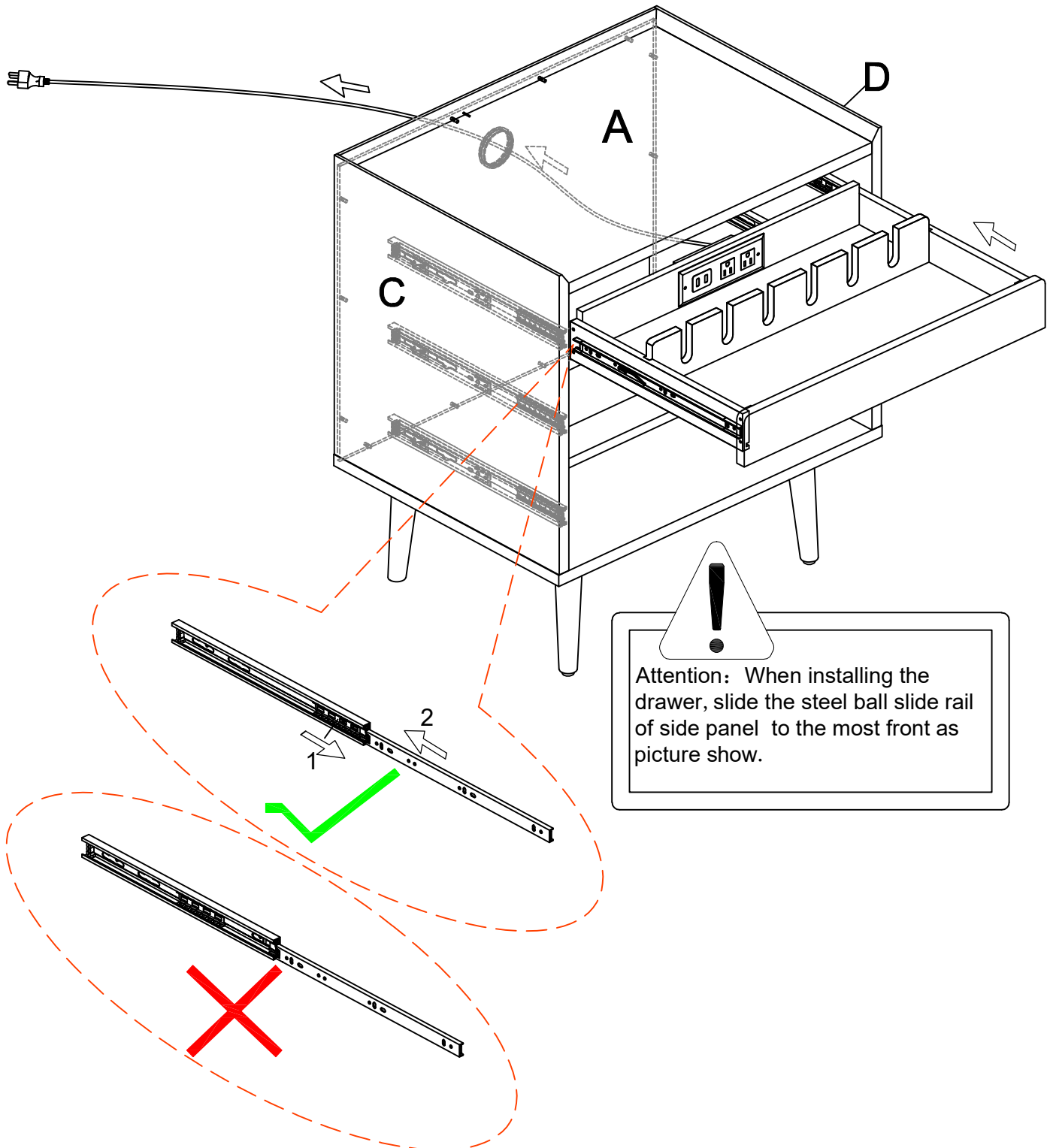
1. Attach the part (K) to the pre-assembled unit at step 7 with #10 screw, and tighten it with screwdriver #17.



#10	x2	#17	x1
			
ø3*16mm			

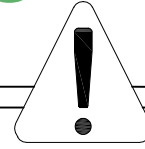
ASSEMBLY INSTRUCTIONS

STEP-9

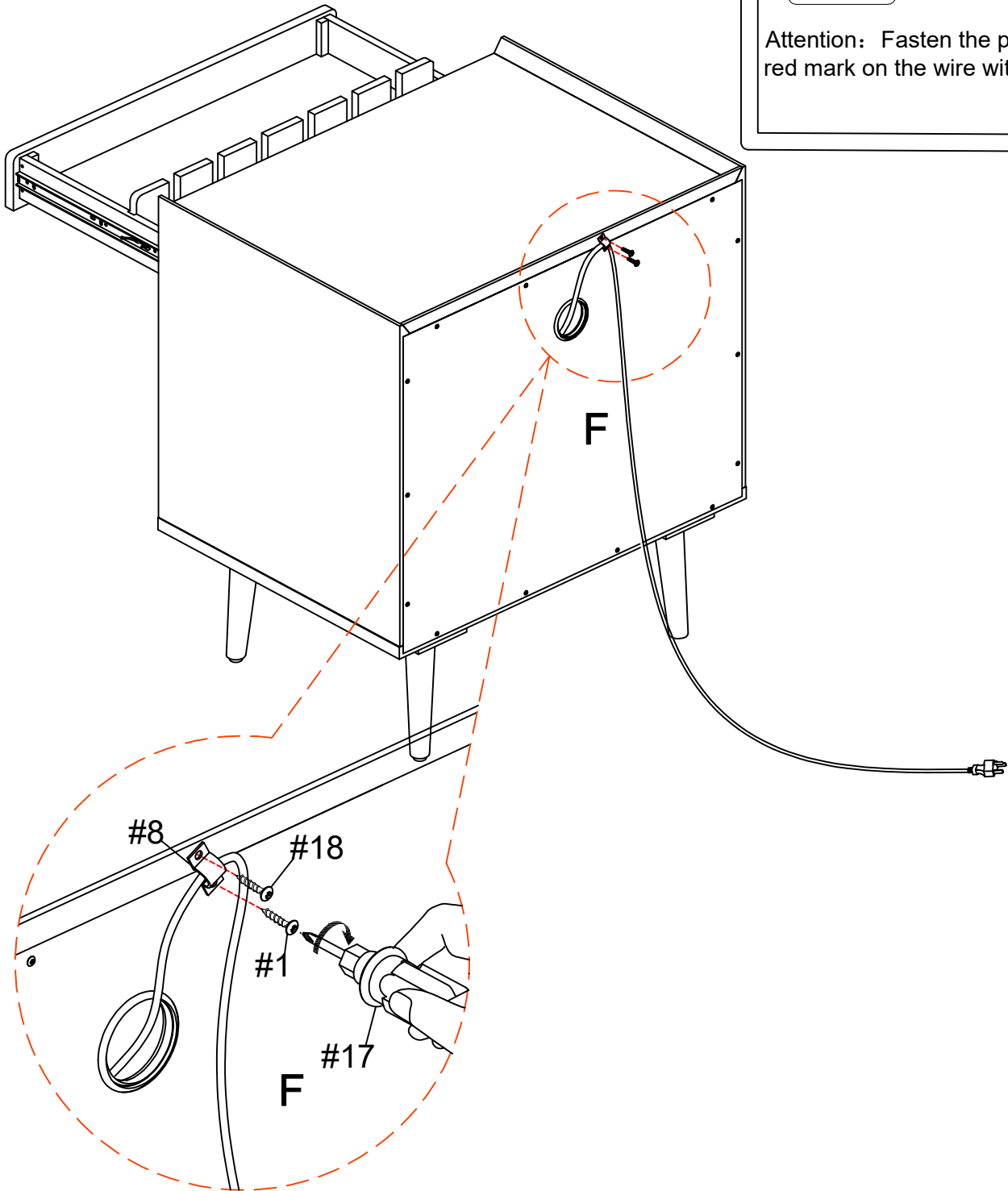


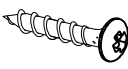
ASSEMBLY INSTRUCTIONS

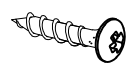
STEP-10




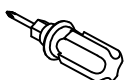
Attention: Fasten the part to the red mark on the wire with screws



#1	x1
	
ø3*16mm	

#18	x1
	
ø3*12mm	

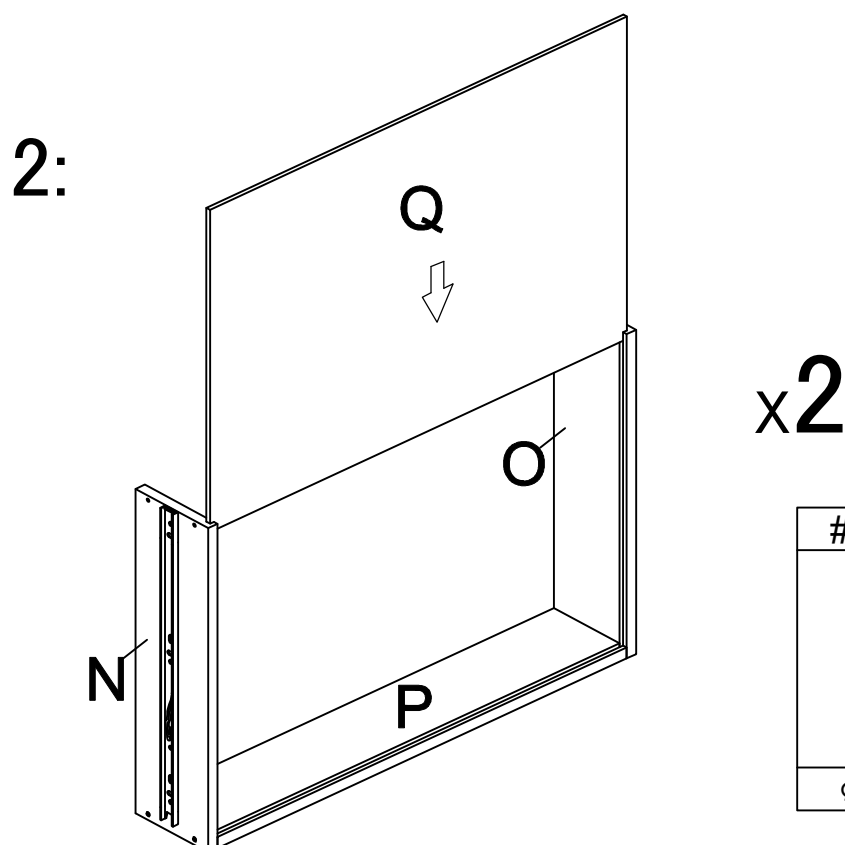
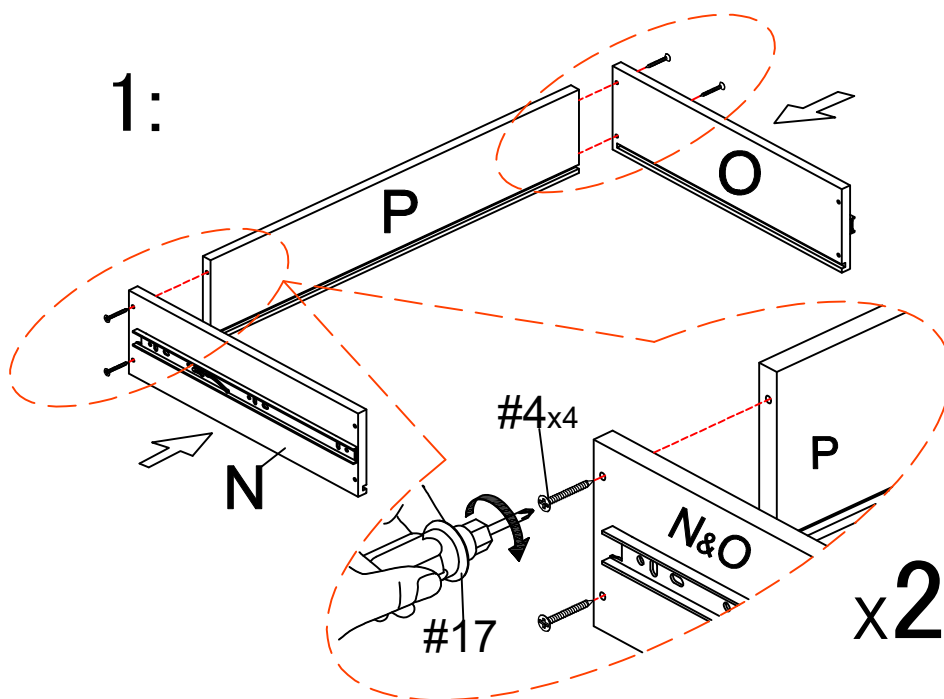
#8	x1
	


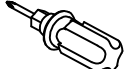
#17	x1
	

ASSEMBLY INSTRUCTIONS

STEP-11

1. Connect part (N&O) to part (P) using screw #4 and tighten it with screwdriver #17. Slide in the part (Q) into the groove in part (N&O). make sure they are also in groove in part (P).



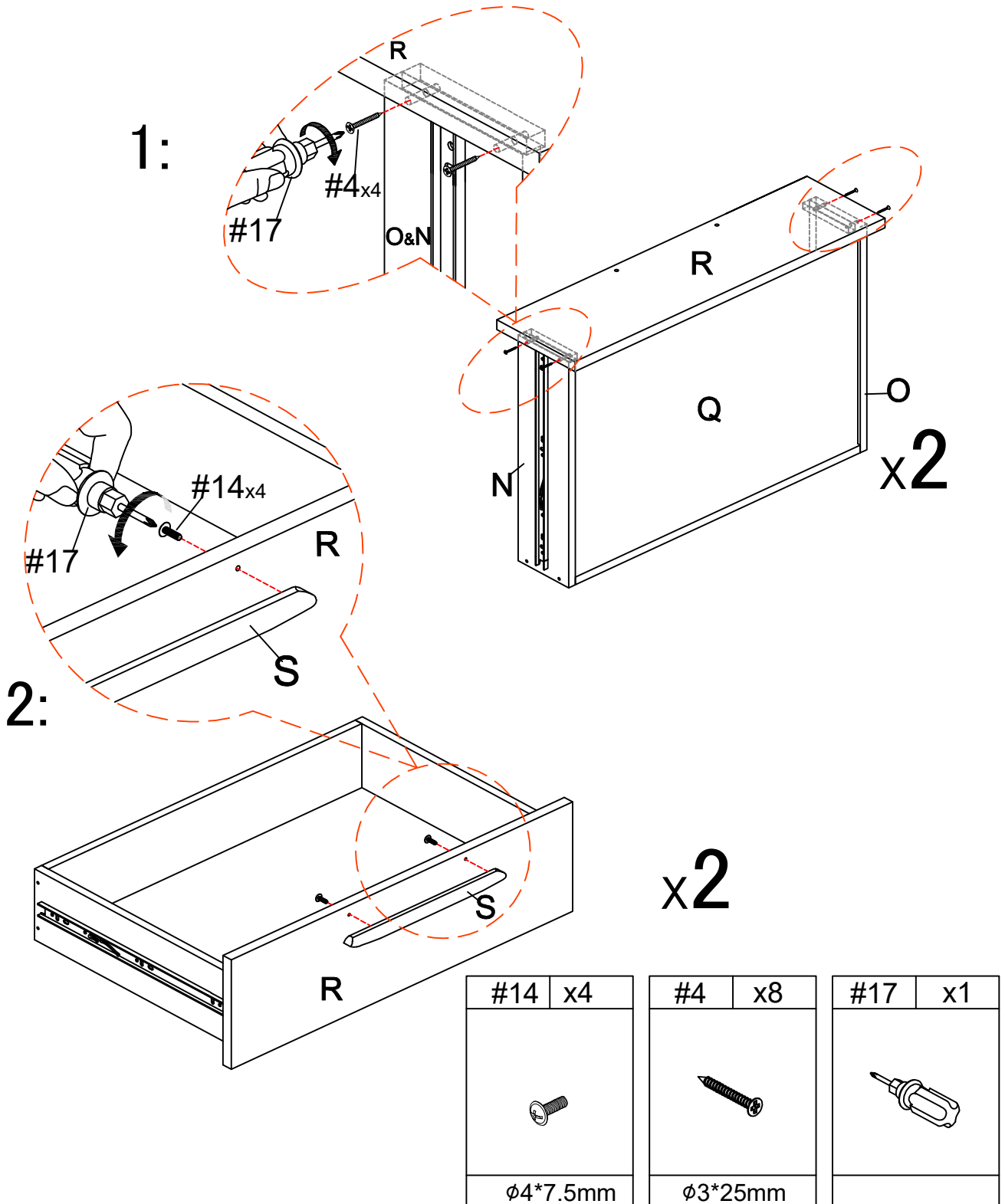
#4	x8	#17	x1
			
ø3*25mm			

ASSEMBLY INSTRUCTIONS

STEP-12

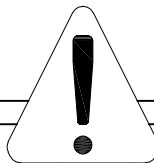
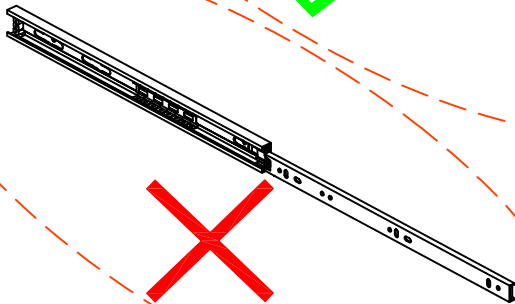
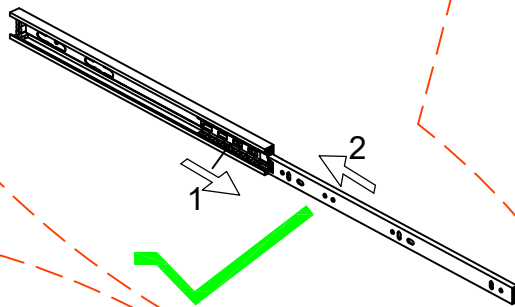
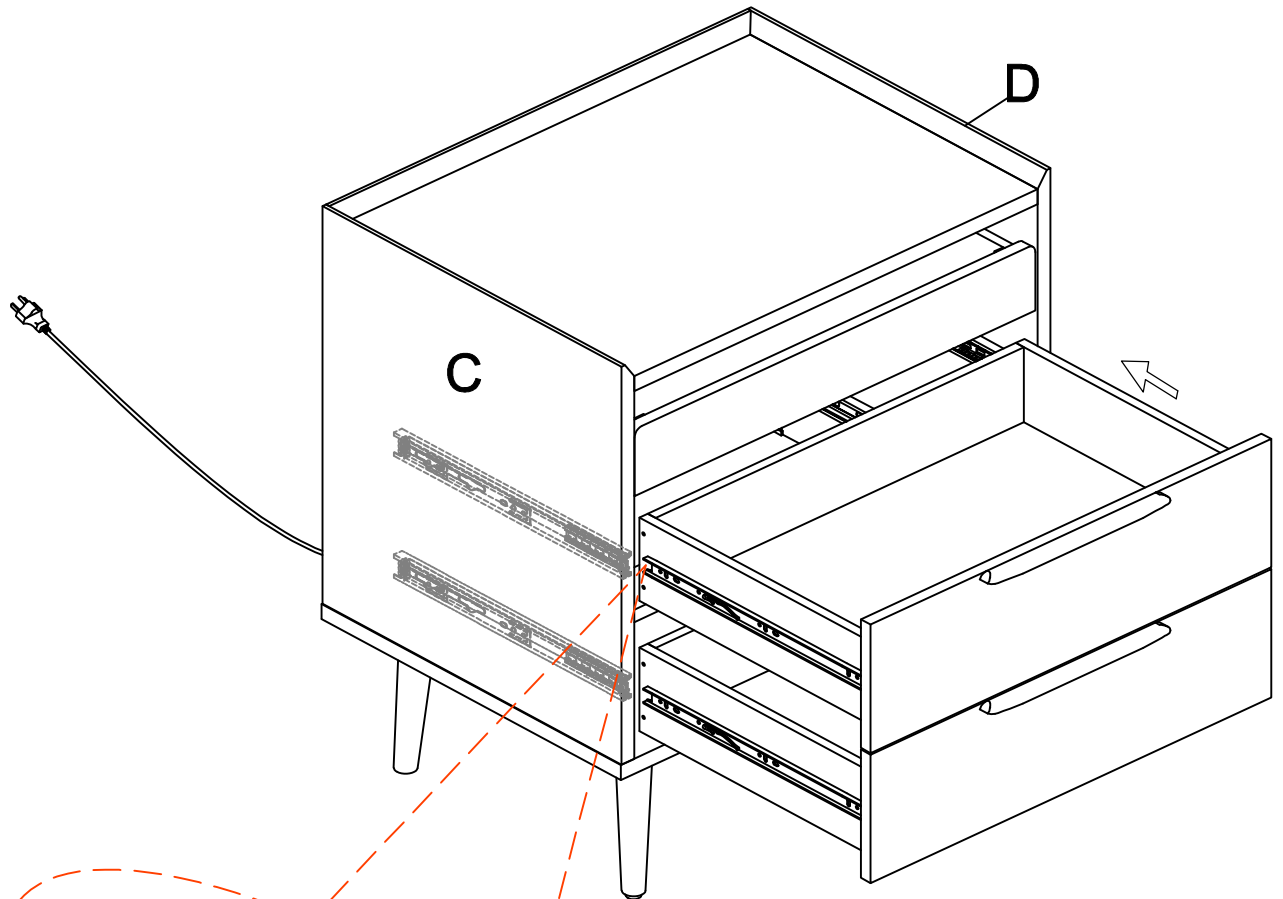
1. Connect the (R) connection (N&O) using screw #4 , and tighten it with screwdriver #17.

2.1. Use screw #14 to attach the part (S) to panel (R), tighten screws with screwdriver #17.



ASSEMBLY INSTRUCTIONS

STEP-13

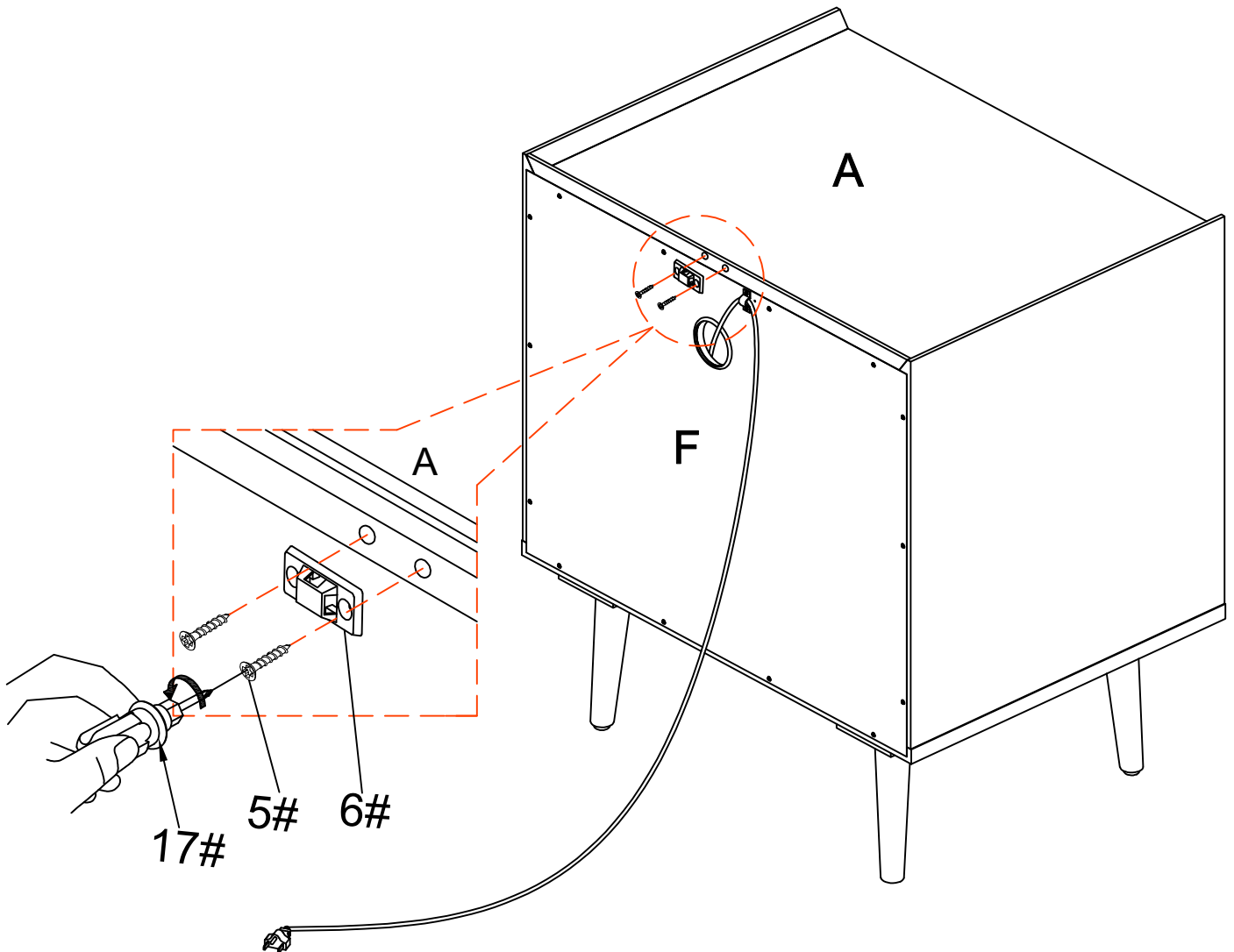


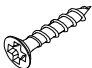
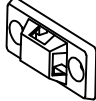
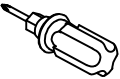
Attention: When installing the drawer, slide the steel ball slide rail of side panel to the most front as picture show.

ASSEMBLY INSTRUCTIONS

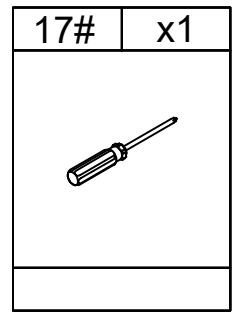
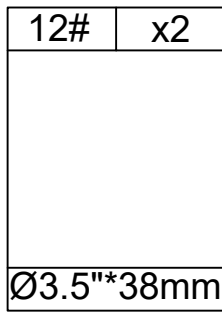
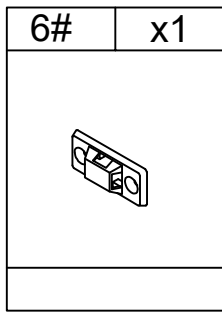
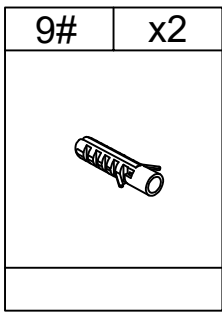
STEP-14

1. use screw #5 to attach plastic bracket #6 to panel (A), make sure all holes aligned and tighten screw #5 with screwdriver #17.



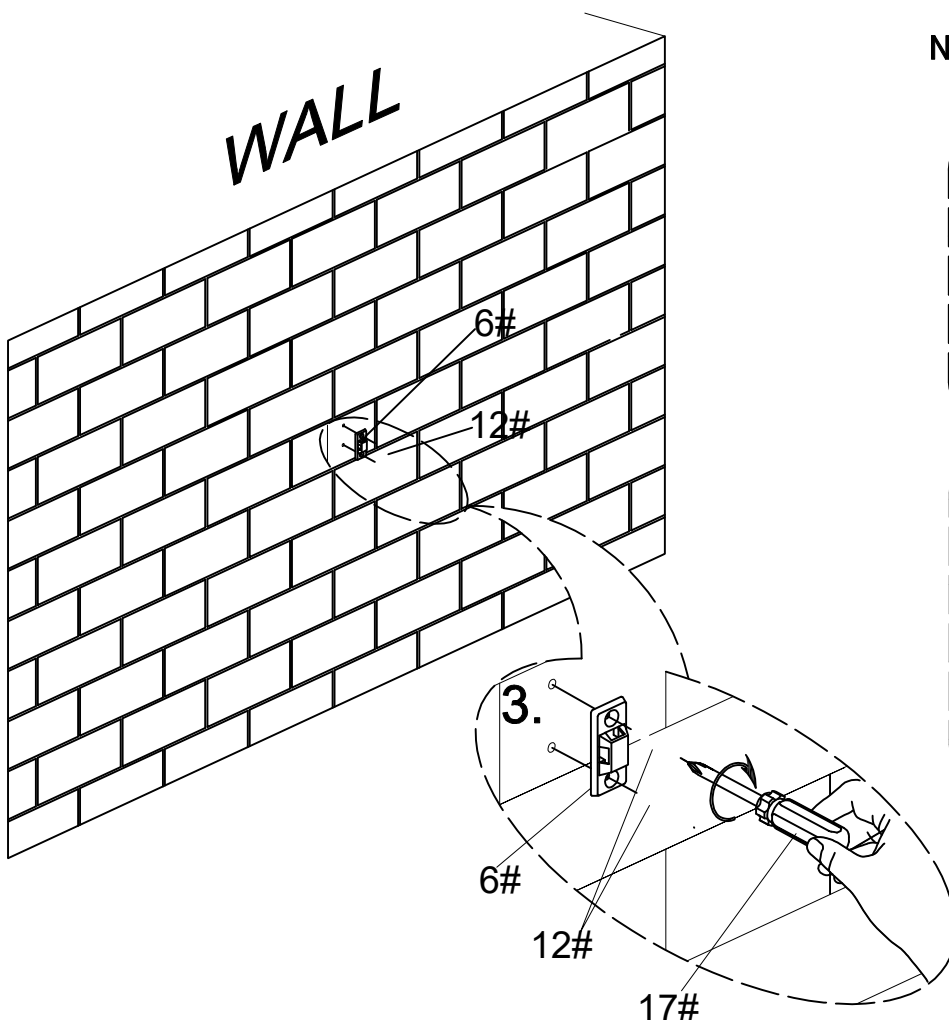
#5	x2	#6	x1	#17	x1
					
ø4*15mm					

ASSEMBLY INSTRUCTIONS

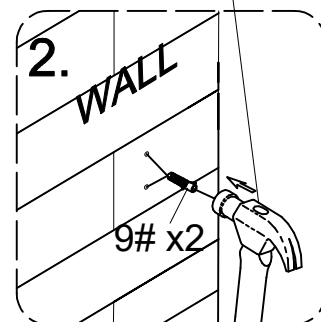
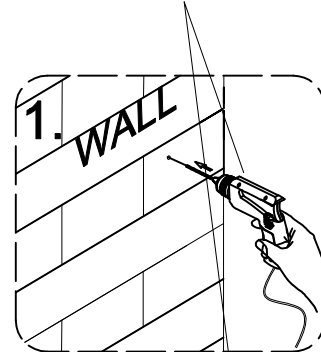


STEP-15

1. Install the anti-collapse device.
2. Mark the position on the wall, that corresponds to the location of part (6#) on the Top panel (A); Drill and insert the expandable screw (9#) by hammer.
3. Assemble the part (6#) to the wall. Align the hole in the part (6#) with the expandable screw (9#), use screw (12#) to attach it and tighten by screwdriver (17#).



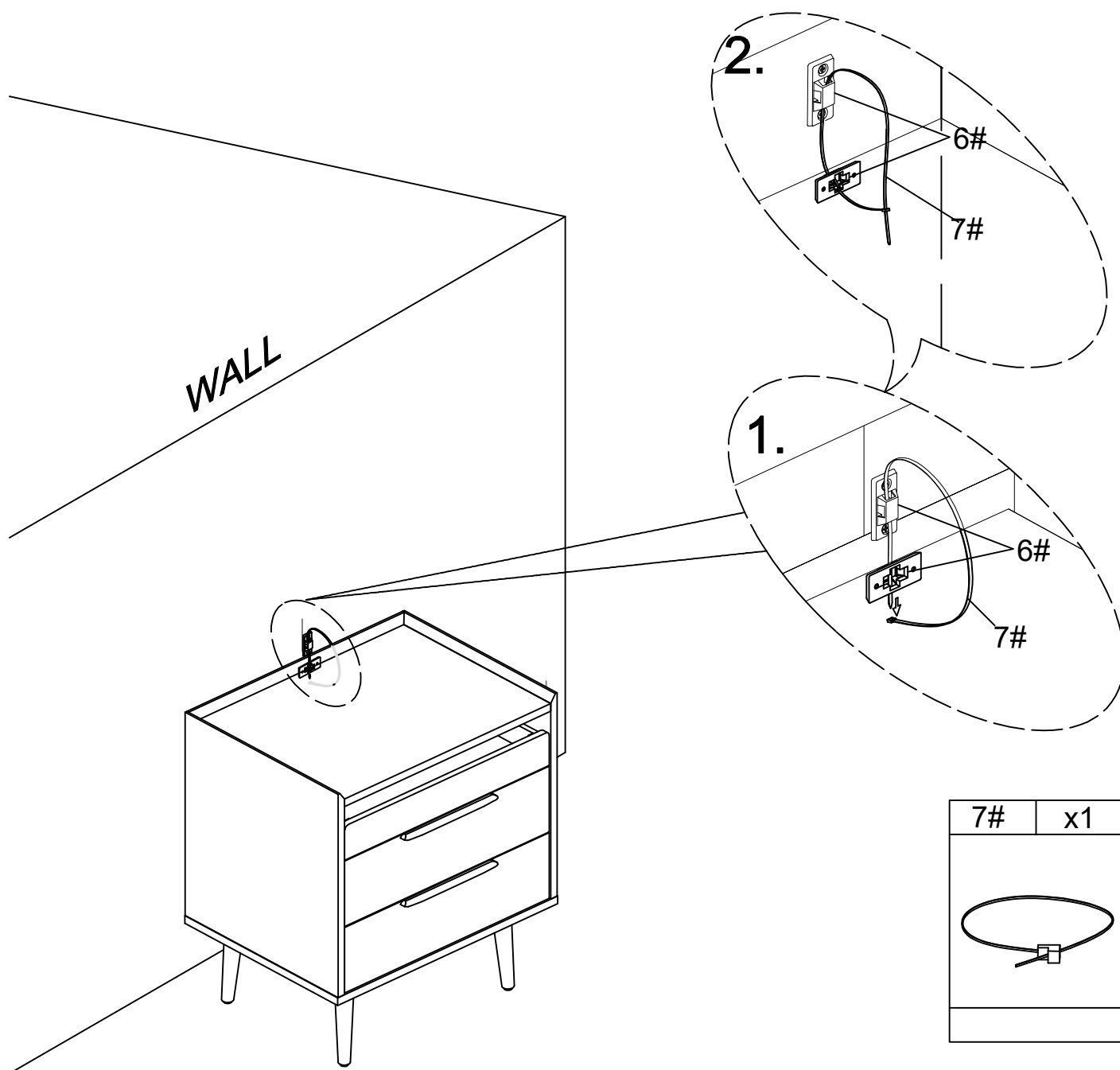
NOT PROVIDED



ASSEMBLY INSTRUCTIONS

STEP-16

1. Let the plastic belt (7#) pass through the both part (6#) and pull tightly.



WARRANTY

1. We strive to offer high-quality products, and we also try our best to satisfy each and every customer that orders from us with product or service as needed.
2. We provide 30 days warranty starting from the time you receive the item. Each customer must provide a record of their order such as the order number, or item receipt for any items that are out of the warranty period you may also still receive.
3. Replacement parts by purchasing them with our company if they are available.

Are you having difficulty
With assembly? Missing parts?
Please send email with your order No to
customerservice@hulalahome.com
For return, please check the return policy with
the retailer or market place you bought from.

Appreciate your purchasing from us.
Pop up your life by our furniture piece!