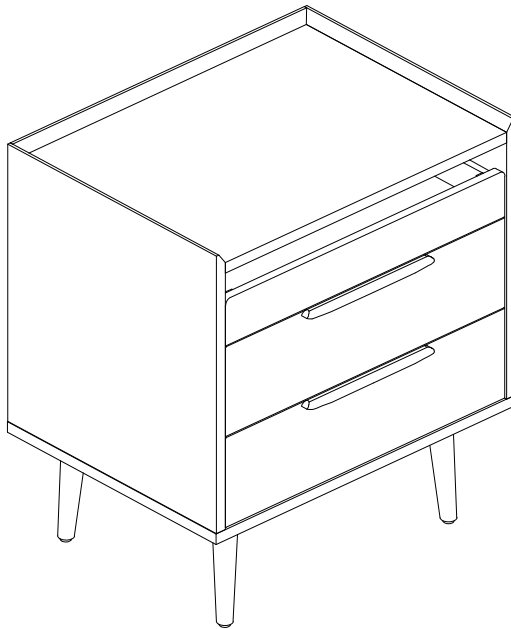


# HULALA

---

H O M E



**ITEM NO.NSYL0821**

---

**NOTE:**

This brochure contains IMPORTANT safty info. Please read and keep for future reference.

---

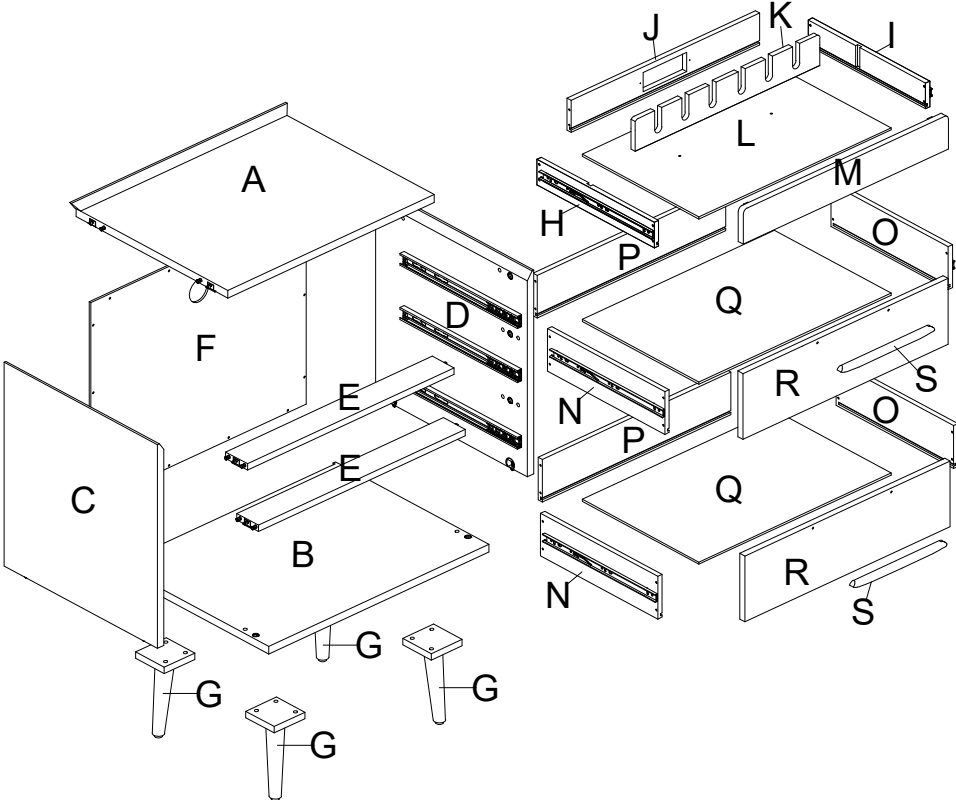
# MAINTAINANCE AND WARNING

- 1.Keep furniture away from heat sources.
- 2.Do not clean furniture with harsh cleaner or polishes.Do not use detergents,solvents,abrasives,spray packs or leather cleaner. Use non-color mild soa with warm water to clean spills(Mix 1:10 soap to water).
- 3.Do not place furniture under direct sunlight,material will possibly fade over time.
- 4.Do not use on site dry cleaning machine.Children should not climb or jump on the furniture.
- 5.Do not write on furniture that is not protectedby a padded barrier.
- 6.Not for commercial use,only for residential use.



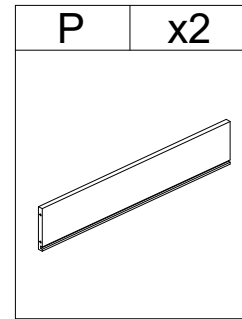
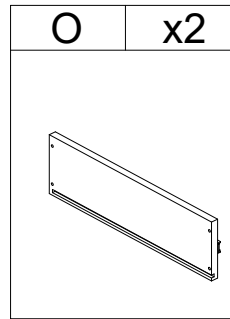
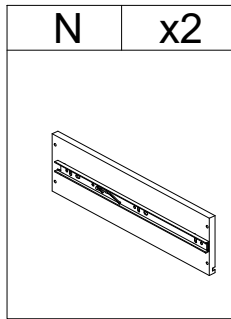
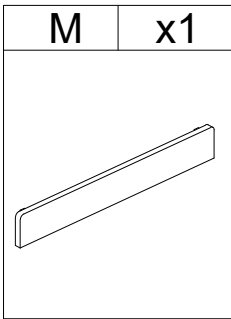
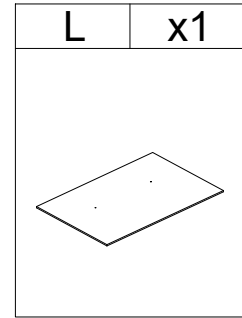
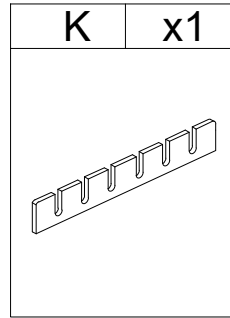
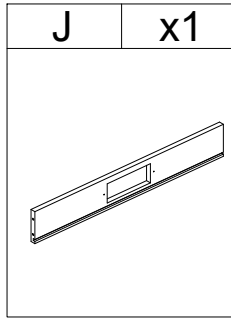
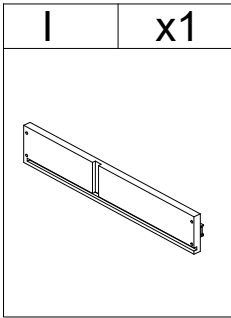
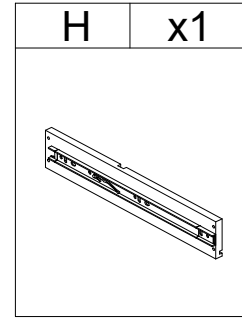
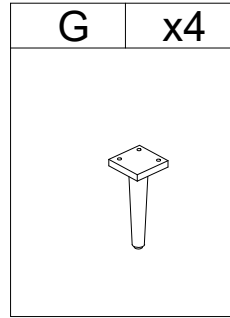
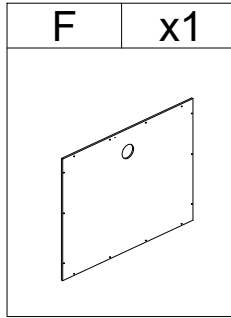
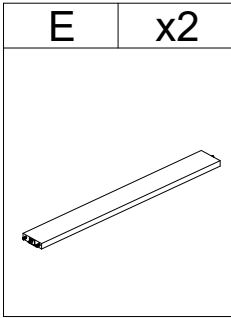
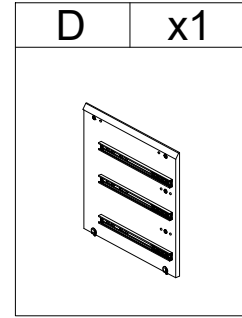
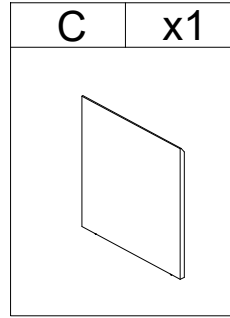
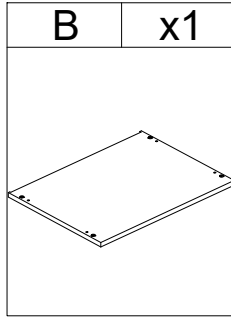
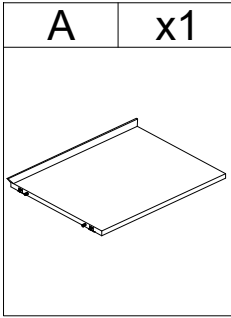
Weight Limitation  
**150 LBS**

# EXPLOSIVE VIEW

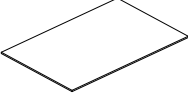


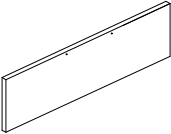
2 PERSONENS

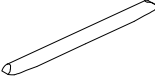
# PARTS LIST 1













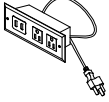
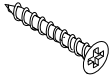


# PARTS LIST 2

Q	x2
	

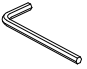
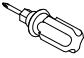
R	x2
	

S	x2
	




# HARDWARE LIST

#1	x15	#2	x12	#3	x1	#4	x24	#5	x1	#6	x1
											
φ3*16mm		φ6*25mm				φ3*25mm		φ3*12mm			
#7	x2	#8	x1	#9	x1	#10	x2	#11	x1	#12	x1
											
						φ3*16mm				8*4*1-1/2	
#13	x2	#14	x4								
											
φ3*12mm		φ4*22mm									

# TOOL LIST

#16	x1	#17	x1
			
M6			

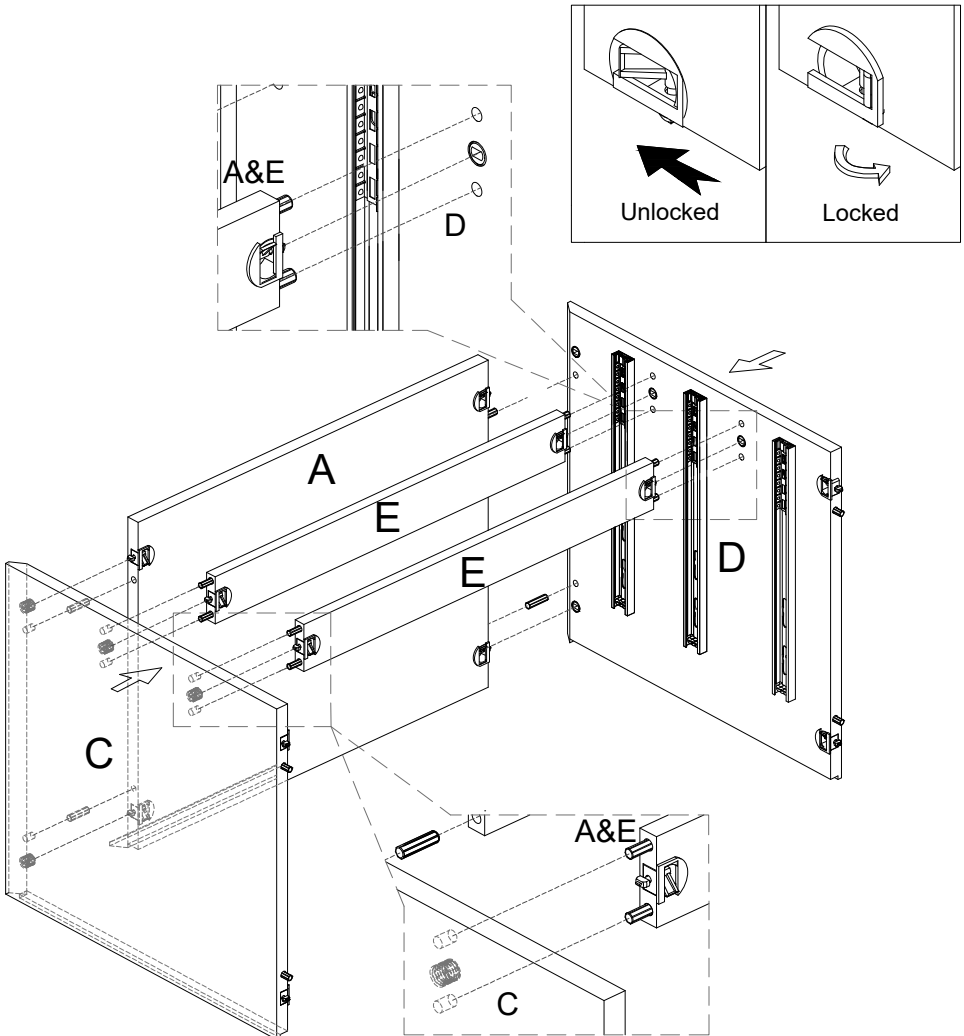
# HARDWARE SPARE LIST

#1	x1	#2	x1	#4	x1
					
φ3*16mm		φ6*25mm		φ3*25mm	

# ASSEMBLY INSTRUCTIONS

## STEP-1

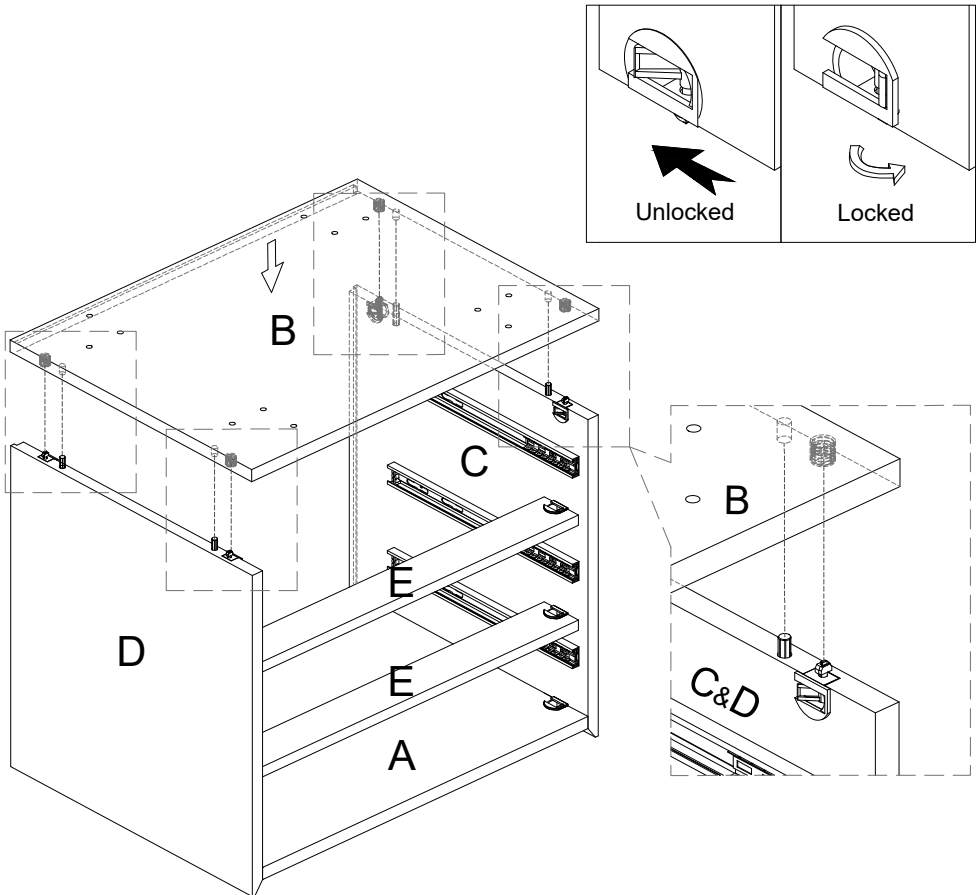
1. connect (C&D) to (A&E) to ensure the holes are aligned, and lock the hardware as the picture shows.



# ASSEMBLY INSTRUCTIONS

## STEP-2

1.connect (B) to (C&D) to ensure the holes are aligned,and lock the hardware.as the picture shows.

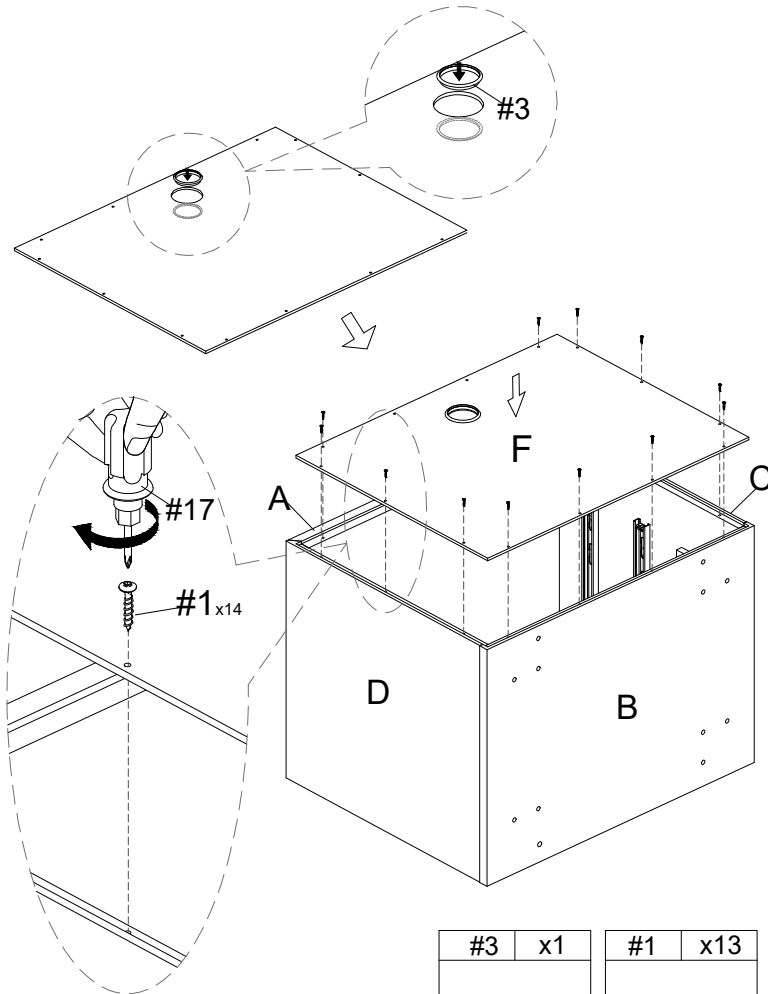




# ASSEMBLY INSTRUCTIONS

## STEP-3

1. Insert the part #3 into the corresponding hole (F) by hand.
2. Attach back panel (F) to pre assembled unit at step 2 with screw #1, and tighten it with screwdriver #17.

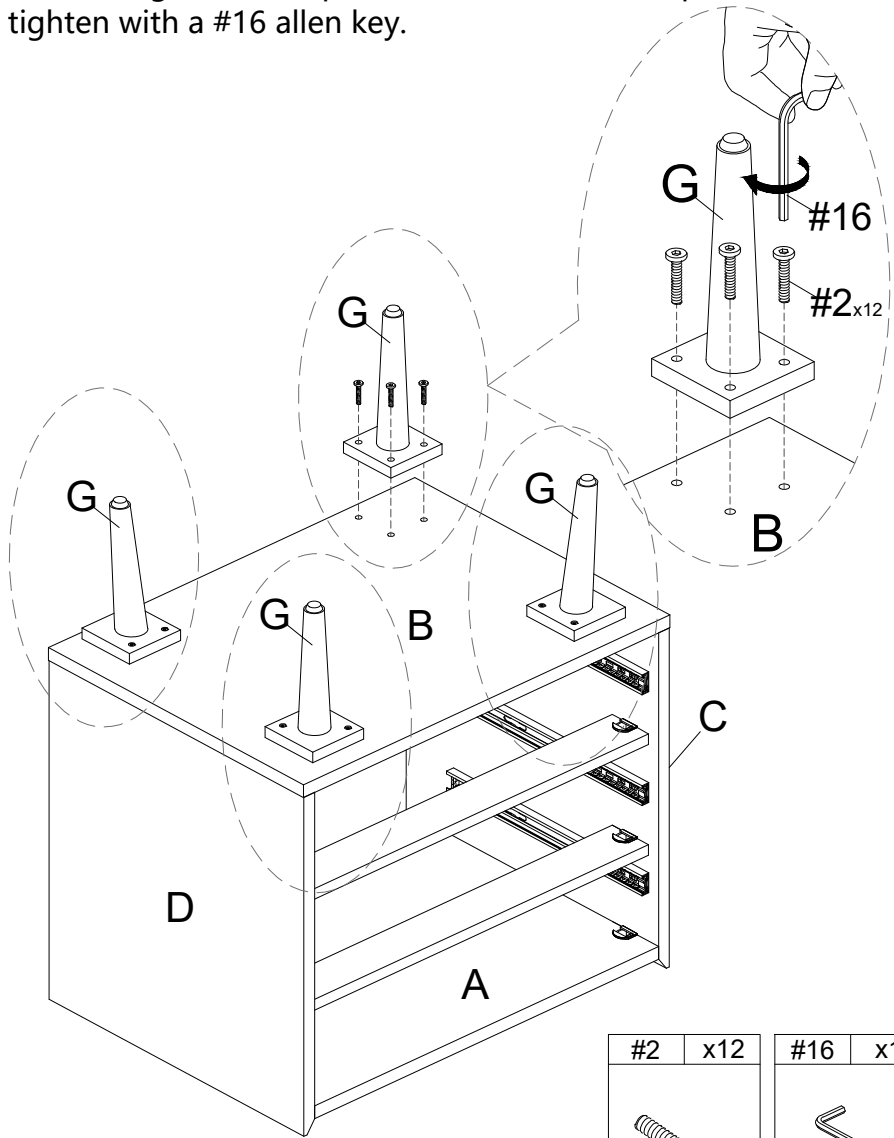



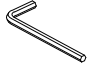
#3	x1	#1	x13	#17	x1
		ø3*16mm			

# ASSEMBLY INSTRUCTIONS

## STEP-4

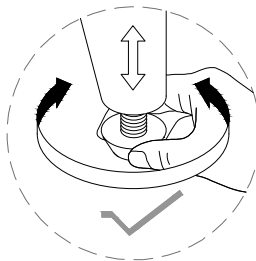
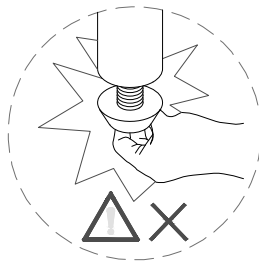
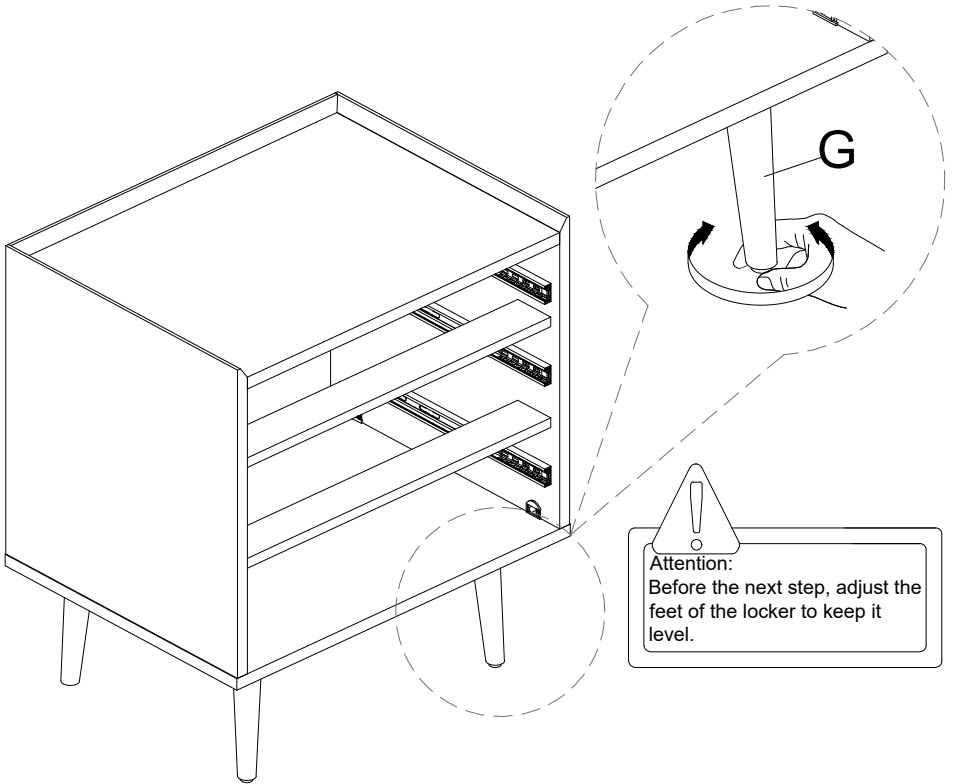
1. Attach the leg (G) to the pre-assembled unit in step 3 with #2 bolt and tighten with a #16 allen key.



#2	x12	#16	x1
			
ø6*25mm		M6	

# ASSEMBLY INSTRUCTIONS

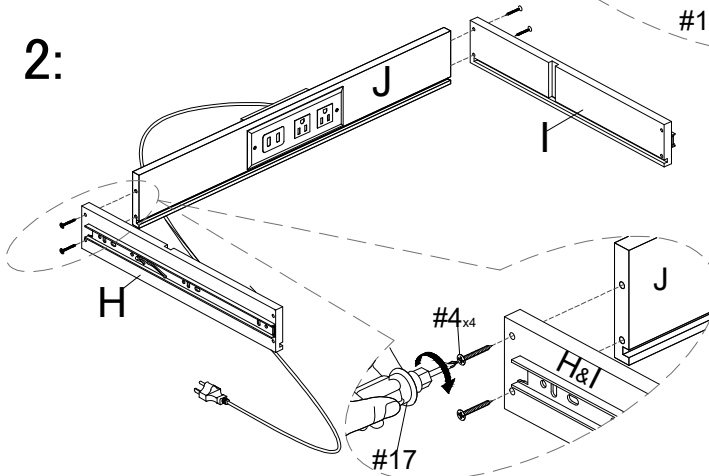
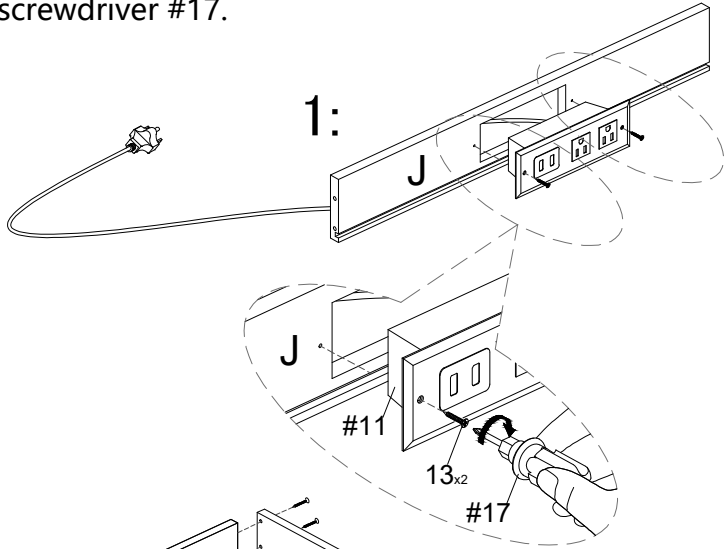
## STEP-5



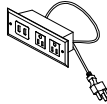
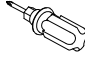


# ASSEMBLY INSTRUCTIONS

## STEP-6

1. Connect socket #11 to part J using screw #13. and tighten it with screwdriver #15. Connect part (H&I) to part J using screw #4 and tighten it with screwdriver #17.

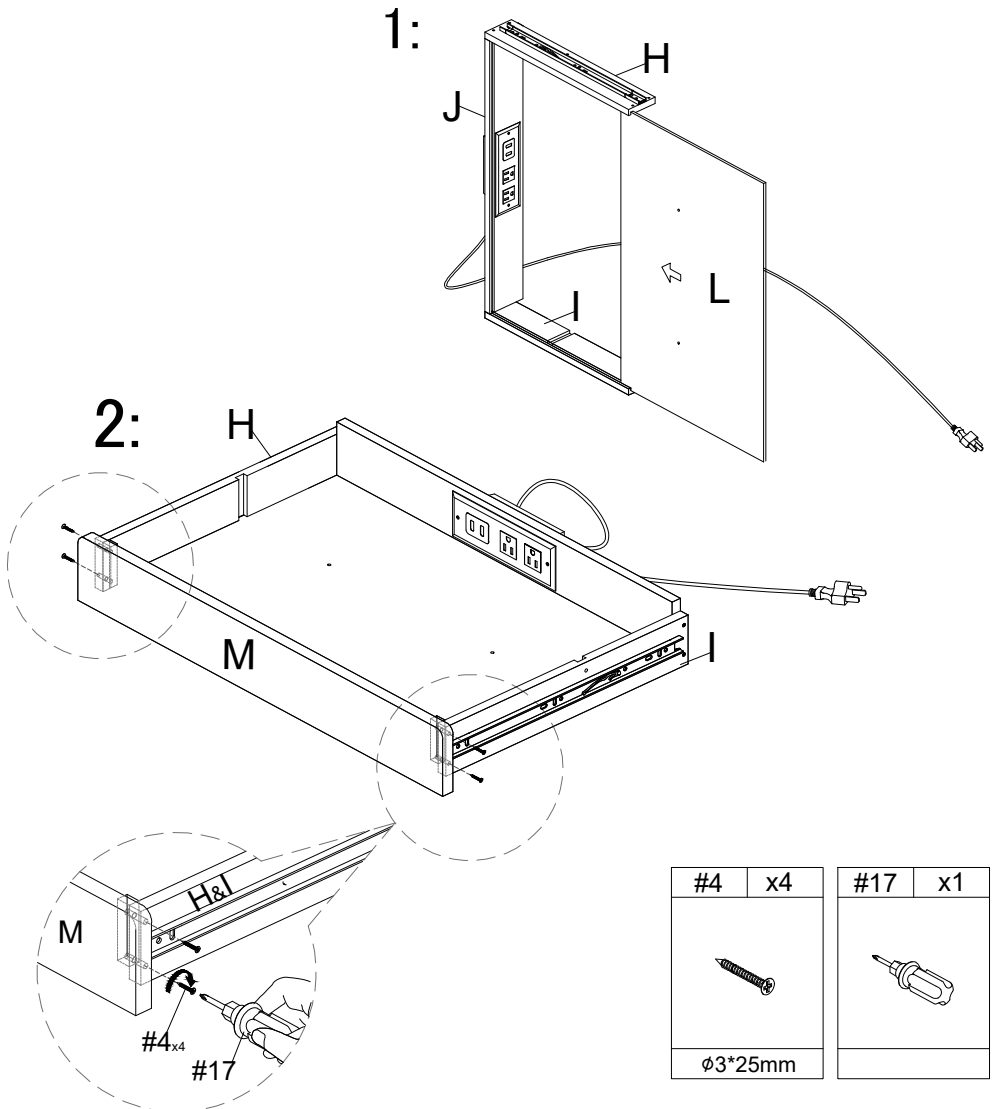


#4	x4	#13	x2	#11	x1	#17	x1
							
ø3*25mm		ø3*12mm					

# ASSEMBLY INSTRUCTIONS

## STEP-7

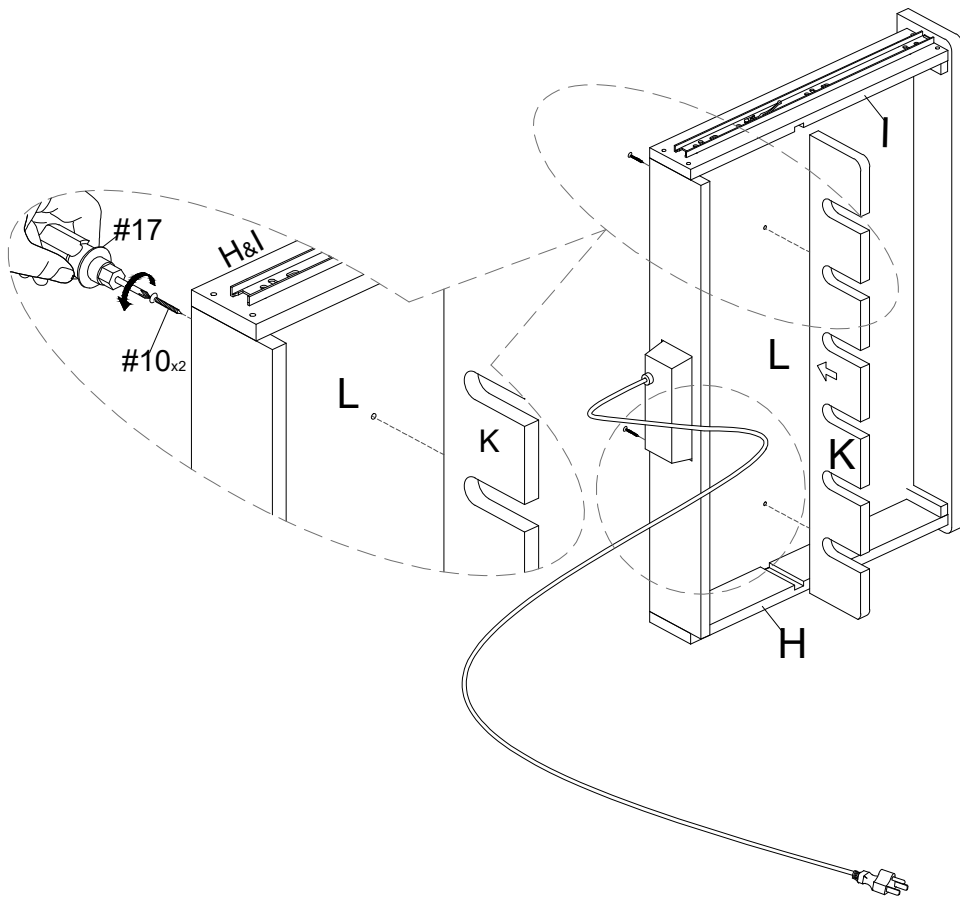
1. Slide in the part (L) into the groove in part (H&I). make sure they are also in groove in part (J). Connect the (M) connection (H&I) using screw #4 , and tighten it with screwdriver #17.


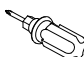


# ASSEMBLY INSTRUCTIONS

## STEP-8


1. Attach the part (K) to the pre-assembled unit in step 7 with #10 screw, and tighten it with screwdriver #17.

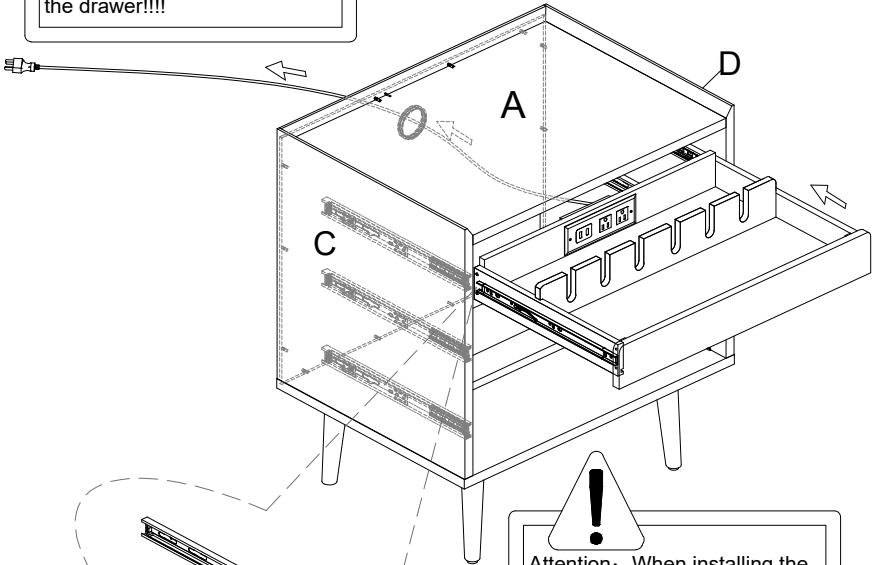



#10	x2	#17	x1
			
ø3*16mm			

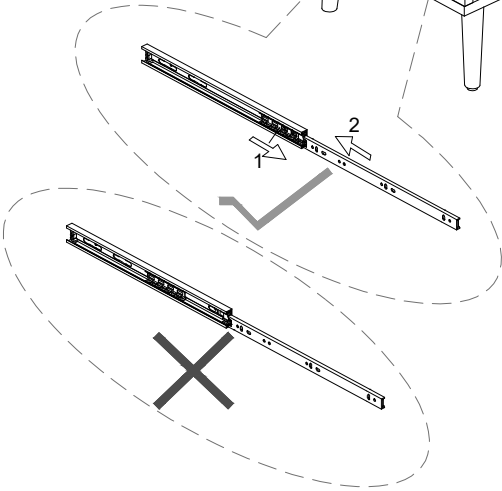
# ASSEMBLY INSTRUCTIONS

## STEP-9

  
As shown in the picture, first insert the plug into the hole on the back panel and then install the drawer!!!!



  
Attention: When installing the drawer, slide the steel ball slide rail of side panel to the most front as picture show.

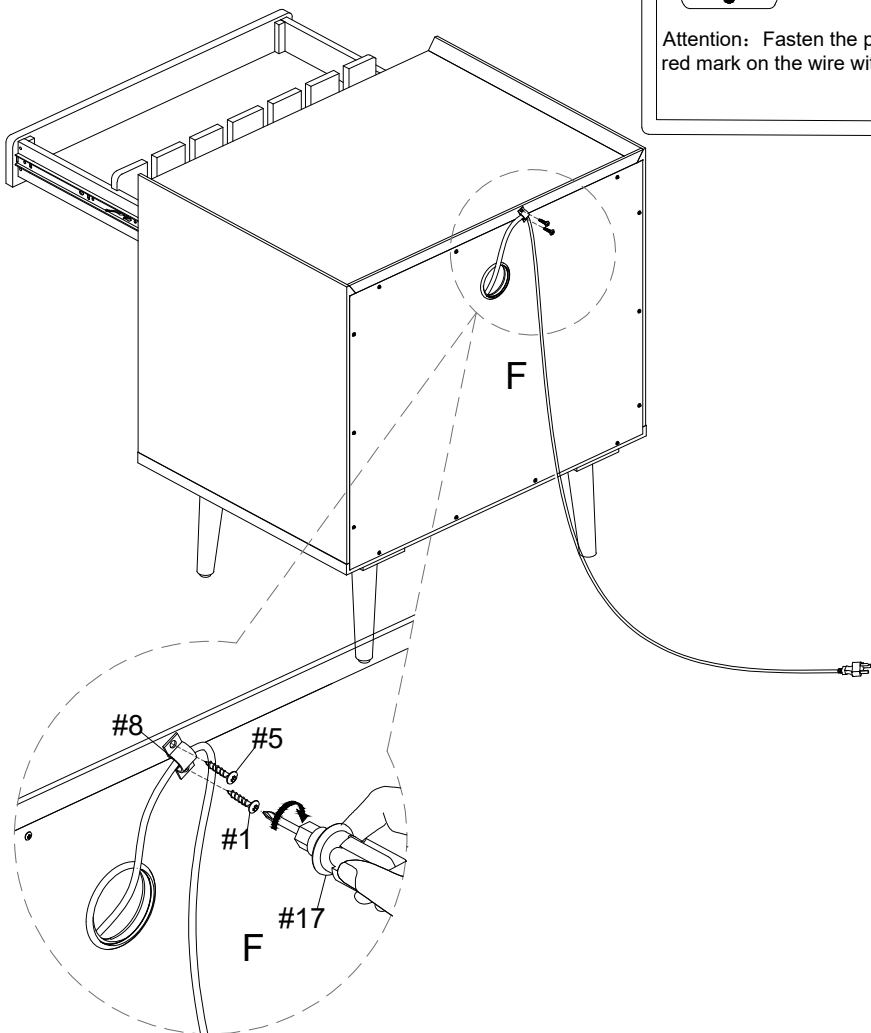





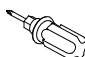
# ASSEMBLY INSTRUCTIONS

## STEP-10



Attention: Fasten the part to the red mark on the wire with screws



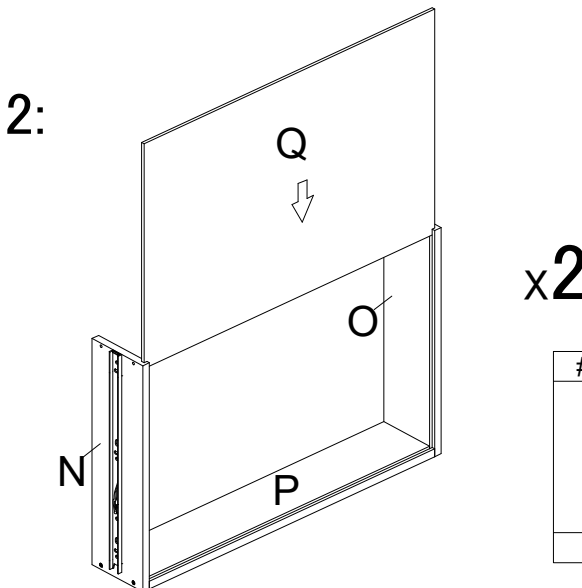
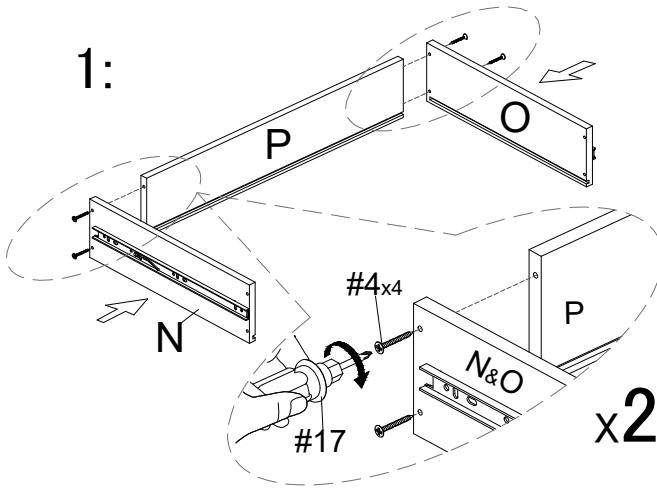
#1	x1	#5	x1	#8	x1	#17	x1
							
ø3*16mm		ø3*12mm					


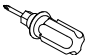


# ASSEMBLY INSTRUCTIONS

## STEP-11

1. Connect part (N&O) to part (P) using screw #4 and tighten it with screwdriver #17. Slide in the part (Q) into the groove in part (N&O). make sure they are also in groove in part (P).



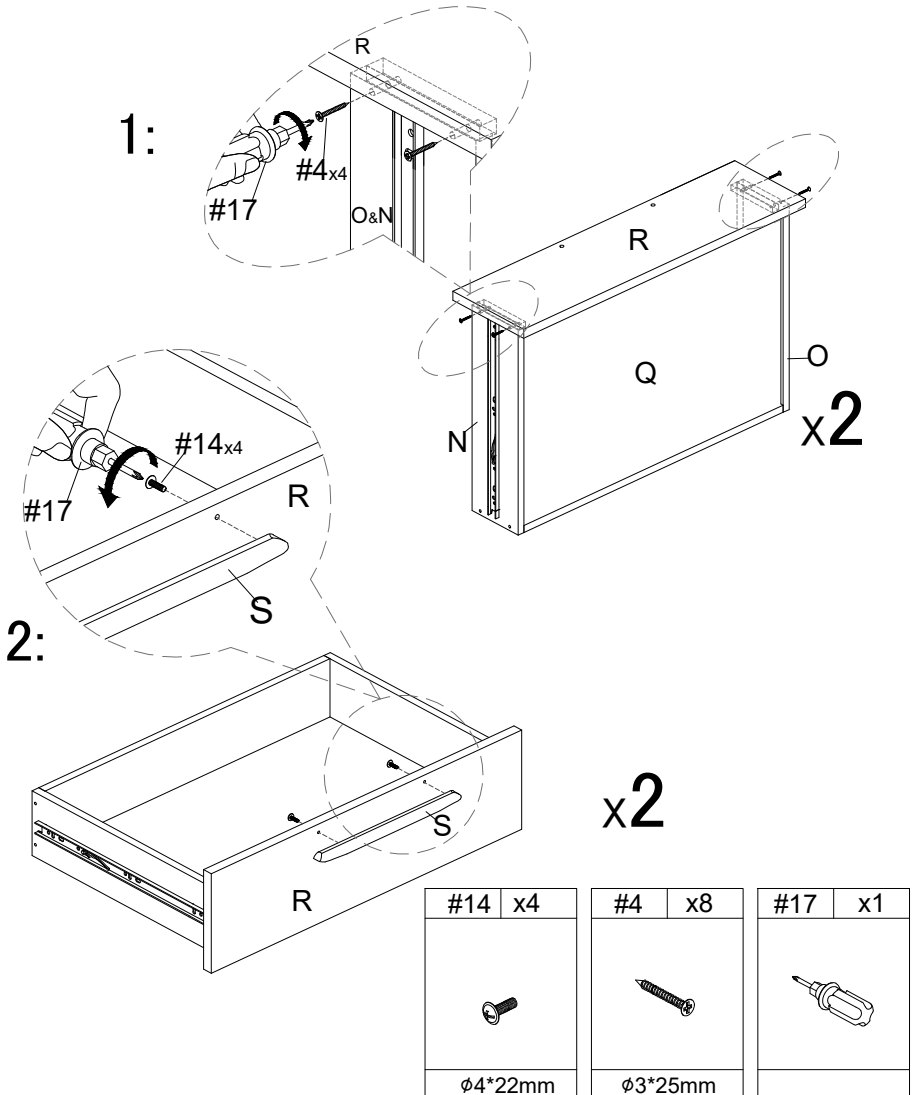
#4	x8	#17	x1
			
ø3*25mm			

# ASSEMBLY INSTRUCTIONS

## STEP-12

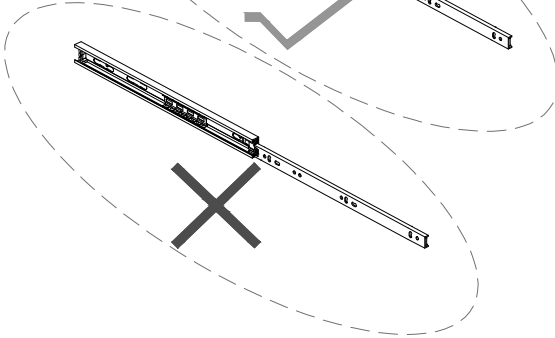
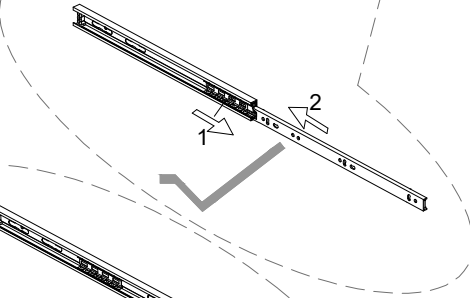
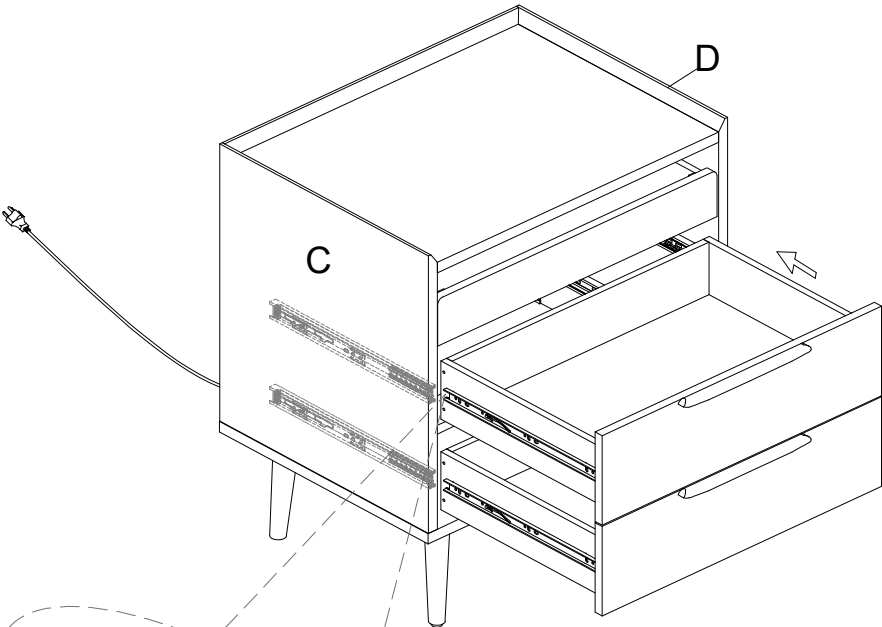
1. Connect the (R) connection (N&O) using screw #4 , and tighten it with screwdriver #17.

2.1. Use screw #14 to attach the part S to panel R, tighten screws with screwdriver #17.



# ASSEMBLY INSTRUCTIONS

## STEP-13

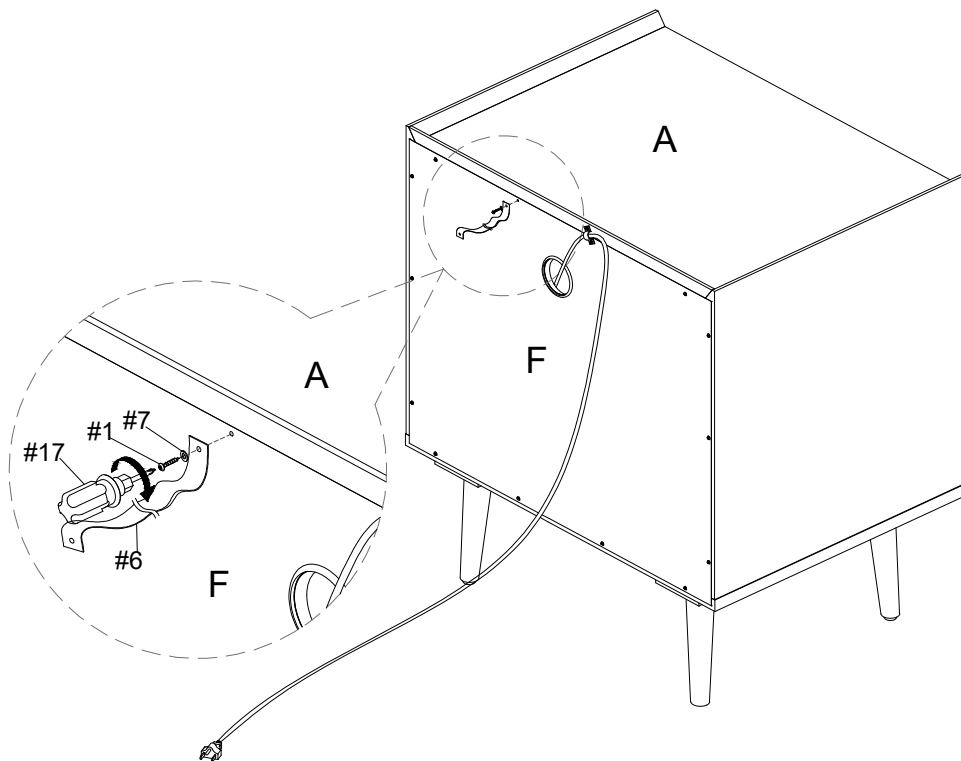





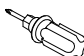
**!**  
Attention: When installing the drawer, slide the steel ball slide rail of side panel to the most front as picture show.

# ASSEMBLY INSTRUCTIONS


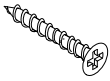

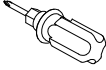
## STEP-14

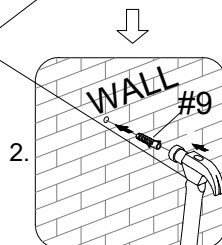
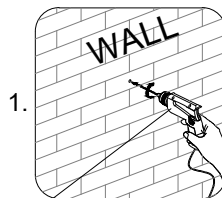
1. Attach plastic strap #6 to back panel (F) using screw #1 and flat washer #7, tighten screw with screwdriver #17.



#1	x1	#6	x1	#7	x1	#17	x1
							
ø3*16mm							

# ASSEMBLY INSTRUCTIONS

#7	x1	#12	x1	#9	x1	#17	x1
							
		8*4*1-1/2					



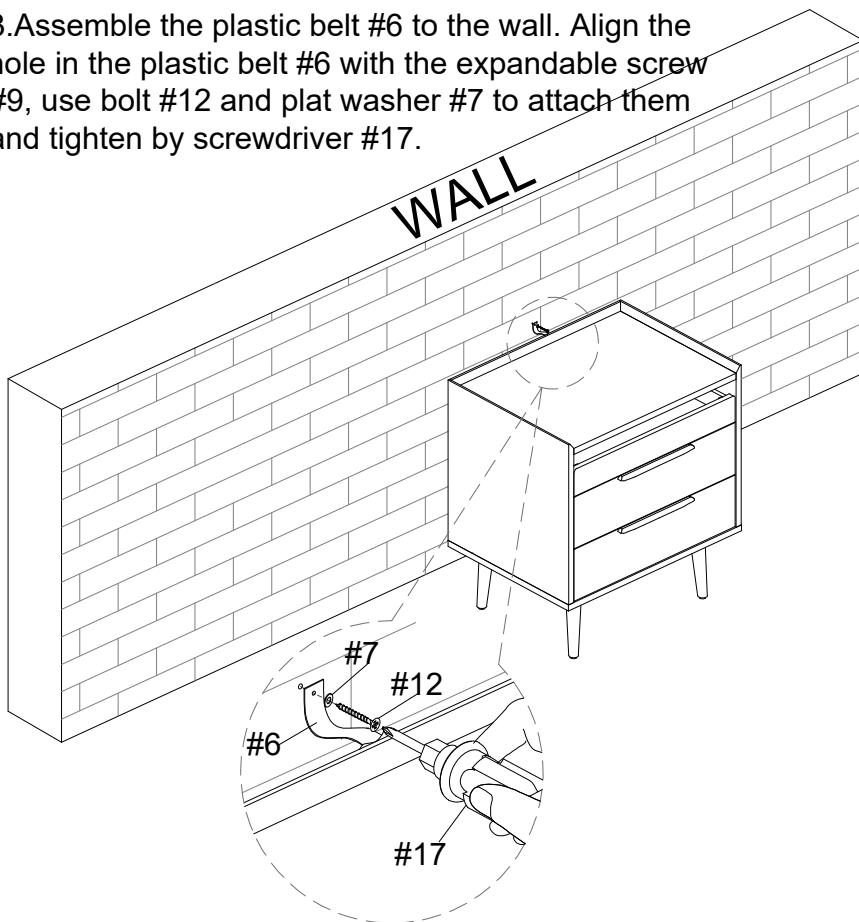
NOT PROVIDED

## STEP-15

1. Install the anti-collapse device.

2. Mark the position on the wall, that corresponds to the location of plastic belt #6 on the back of panel (F); Drill and insert the expandable screw #9 by hammer.

3. Assemble the plastic belt #6 to the wall. Align the hole in the plastic belt #6 with the expandable screw #9, use bolt #12 and plat washer #7 to attach them and tighten by screwdriver #17.



# WARRANTY

1. We strive to offer high-quality products, and we also try our best to satisfy each and every customer that orders from us with product or service as needed.
2. We provide 30 days warranty starting from the time you receive the item. Each customer must provide a record of their order such as the order number, or item receipt for any items that are out of the warranty period you may also still receive.
3. Replacement parts by purchasing them with our company if they are available.

Are you having difficulty  
With assembly? Missing parts?  
Please send email with your order No to  
**[customerservice@hulalahome.com](mailto:customerservice@hulalahome.com)**  
For return, please check the return policy with  
the retailer or market place you bought from.

Appreciate your purchasing from us.  
Pop up your life by our furniture piece!