

WARRANTY

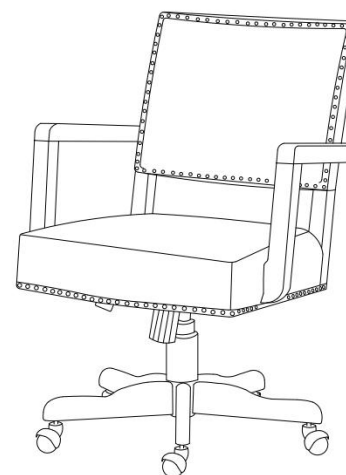
We strive to offer high-quality products, and we also try our best to satisfy each and every customer that orders from us with product or service as needed. We provide 30 days warranty starting from the time you receive the item. Each customer must provide a record of their order such as the order number, or item receipt for any items that are out of the warranty period you may also still receive replacement parts by purchasing them with our company if they are available.

**Are you having difficulty
with assembly? Missing parts?**

**Please send email with your order No to
customerservice@hulalahome.com**

**For return, please check the return policy with
the retailer or market place you bought from.**

**Appreciate your purchasing from us.
Pop up your life by our furniture piece!**



ITEM NO. OFM0163

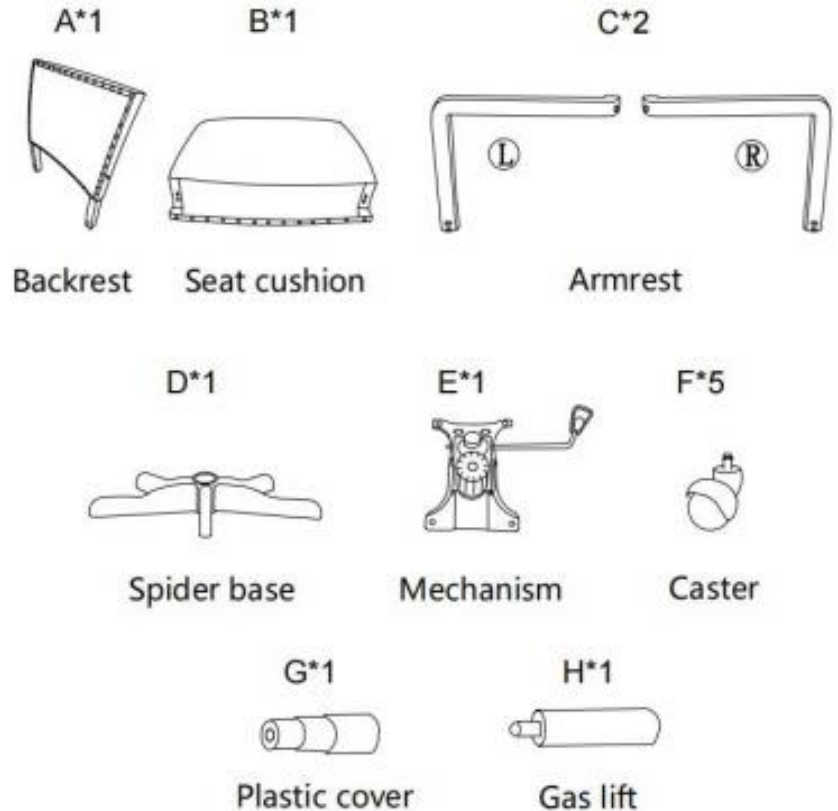
NOTE:

This brochure contains IMPORTANT safty info. Please read and keep for future reference.

MAINTAINANCE AND WARNING

- Keep furniture away from heat.
- Do not clean furniture with harsh cleansers or polish. Do not use detergents, Solvents, abrasives, spray packs or leather cleaner. Use non-color mild soap with warm water clean spills(Mix 1:10 soap to water)
- Do not place furniture under direct sunlight, material will possibly fade over time.
- Do not use on site dry Cleaning machine.
- Children should not climb or jump on the furniture.
- Do not write on furniture without a padded barrier to protect the surface.
- Not for commercial use, For residential use only.

PARTS LIST



Weight Limitation

220LBS

HARDWARE LIST

①*4



Flat washer

②*10



M8 Bolt

③*10



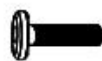
Wood plug

④*1



Allen wrench

⑤*4



M6 Bolt

SPARE



①:X1



②:X1



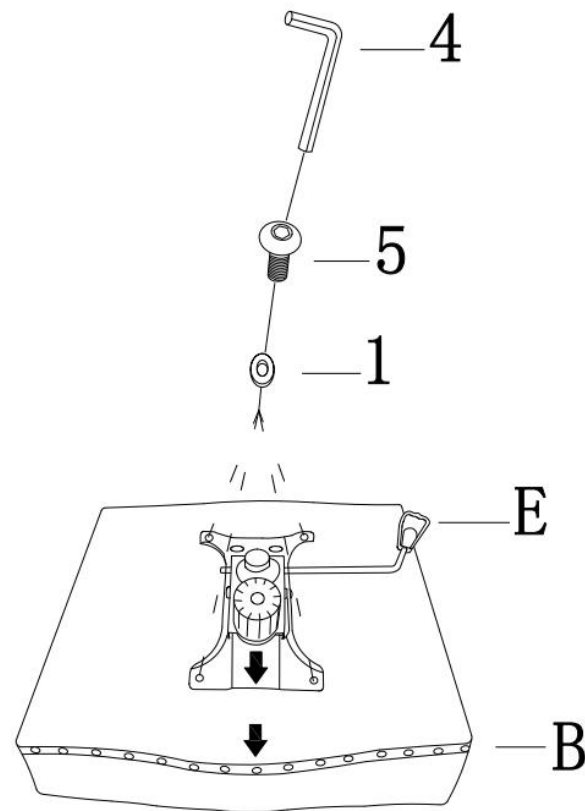
③:X1



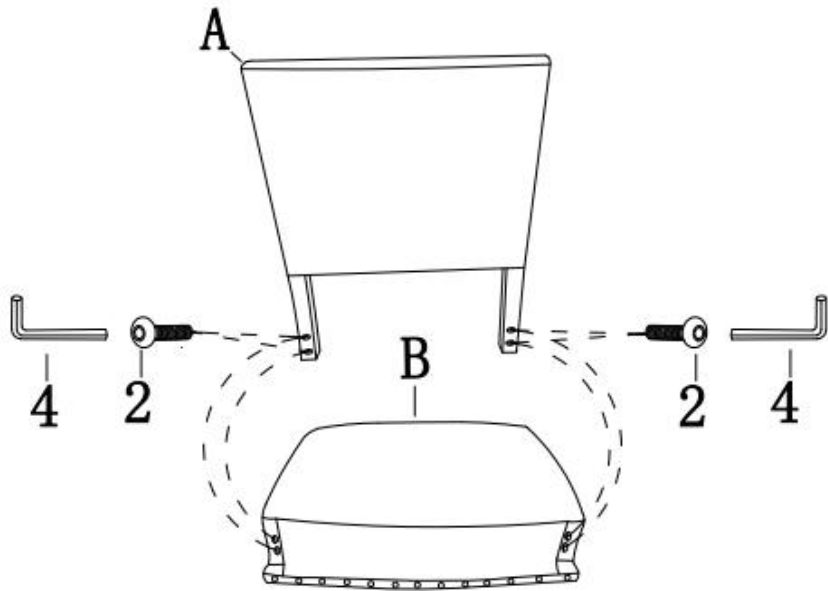
⑤:X1

Be sure to check all packing material carefully for small parts, which may have come loose inside the carton during shipment.

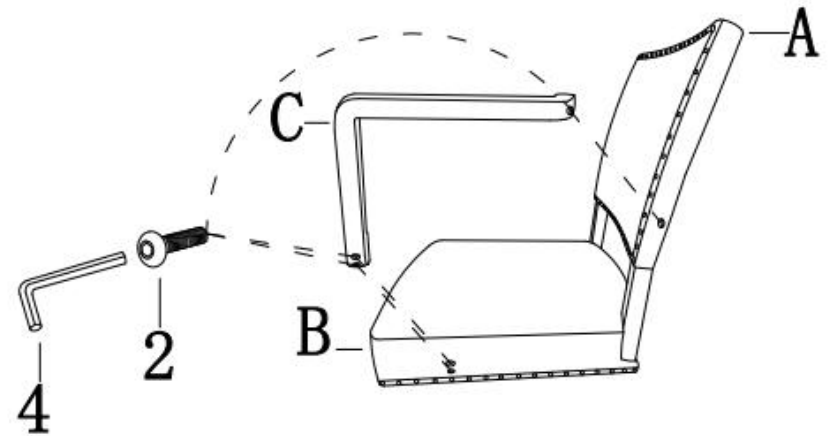
ASSEMBLY INSTRUCTIONS



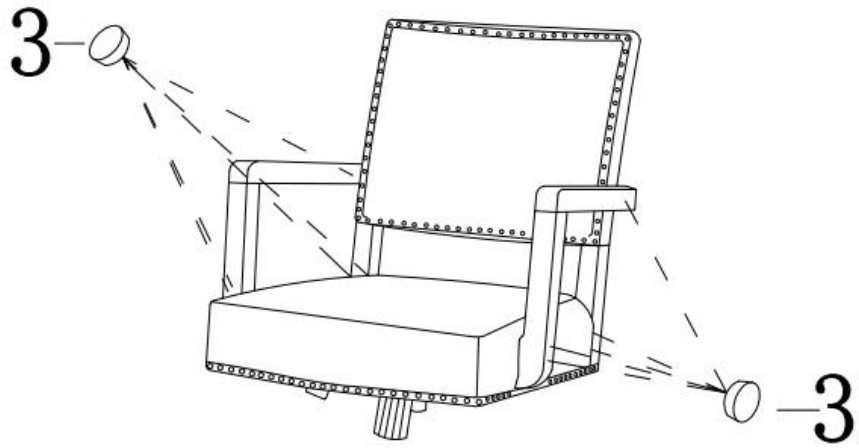
STEP 1: Place cushion B upside down on clean padded surface. Use flat washer #1, bolt #5, allen key #4 to attach mechanism E on bottom of the seat cushion B. Make sure all holes aligned and arrow facing front side then fasten all bolts to secure.



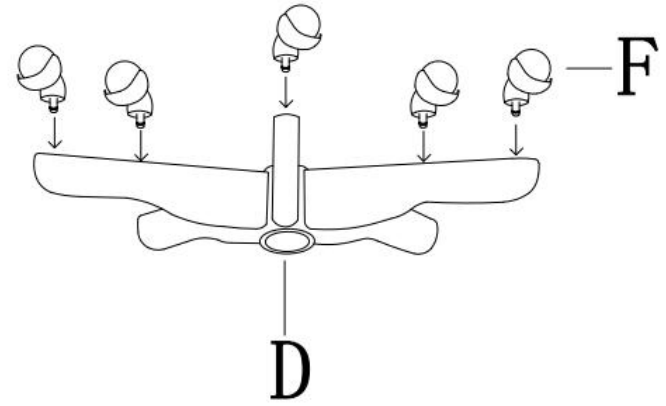
STEP 2:Carefully align screw holes and use bolt #2, allen key #4 to connect backrest A with seat cushion B, Please don't fasten any bolt until next step.



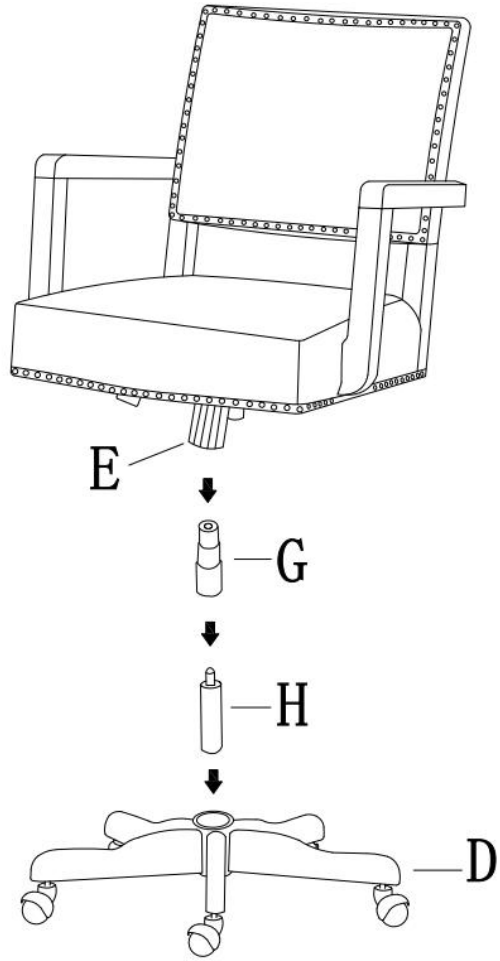
STEP 3:Carefully align screw holes and use bolt #2, allen key #4 to connect armrest C with backrest A/seat cushion B, make sure all parts connected properly then fasten all bolts to secure.



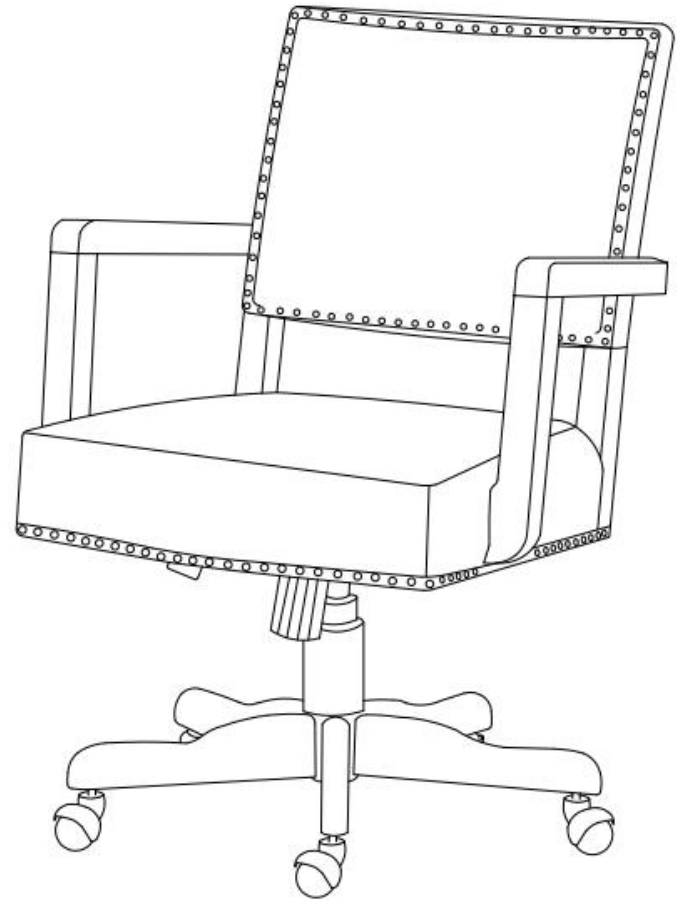
STEP 4: Insert wood plug #3 to cover the bolt holes.



STEP 5: Place spide base D upside down on clean padded surface, insert casters F to each end of the base arm.



STEP 6: Insert gas lift H then place plastic cover G on top of gas lift and place seat/back assembly on above.



STEP 7: Assembly completed.