

WARRANTY

- 1.We strive to offer high-quality products,and we also try our best to satisfy each and every customer that orders from us with product or service as needed.
- 2.We provide 30 days warranty starting from the time you receive the item.Each customer must provide a record of their order such as the order number,or item receipt for an items that are out of the warranty period you may also still receive.
- 3.Replacement parts by purchasing them with our company if they are available.

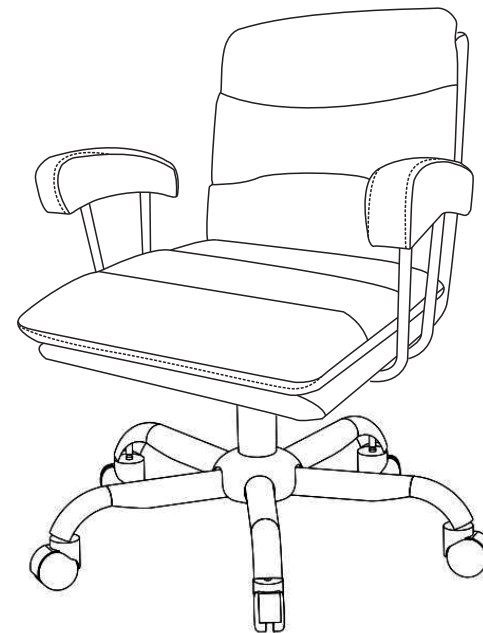
Are you having difficulty
With assembly?Missing parts?
Please send email with your order No to
customerservice@hulalahome.com

For return,please check the return policy with
the retailer or market place you bought from.

Appreciate your purchasing from us.
Pop up your life by our furniture piece!

HULALA

H O M E



ITEM NO.OFM1084

NOTE:

This brochure contains IMPORTANT safty info. Please read
and keep for future reference.

MAINTAINANCE AND WARNING

- 1.Keep furniture away from heat sources.
- 2.Do not clean furniture with harsh cleaner or polishes.Do not use detergents,solvents,abrasives,spray packs or leather cleaner. Use non-color mild soa with warm water to clean spills(Mix 1:10 soap to water).
- 3.Do not place furniture under direct sunlight,material will possibly fade over time.
- 4.Do not use on site dry cleaning machine.Children should not climb or jump on the furniture.
- 5.Do not write on furniture that is not protectedby a padded barrier.
- 6.Not for commercial use,only for residential use.



PARTS LIST

| | | | | | | | |
|------------|----|-----------|----|---------------|----|--------------|----|
| A | x1 | B | x1 | C | x1 | D | x1 |
| | | | | | | | |
| Seat frame | | Mechanism | | Right armrest | | Gas hat | |
| E | x1 | F | x5 | G | x5 | H | x1 |
| | | | | | | | |
| Base arm | | Foot tube | | Casters | | Left armrest | |

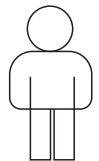
HARDWARE LIST

| | | | | | |
|-------|-----|-------|-----|-----------|----|
| #1 | x10 | #2 | x12 | #3 | x1 |
| | | | | | |
| Bolt | | Bolt | | Allen Key | |
| M6*12 | | M6*18 | | M6 | |

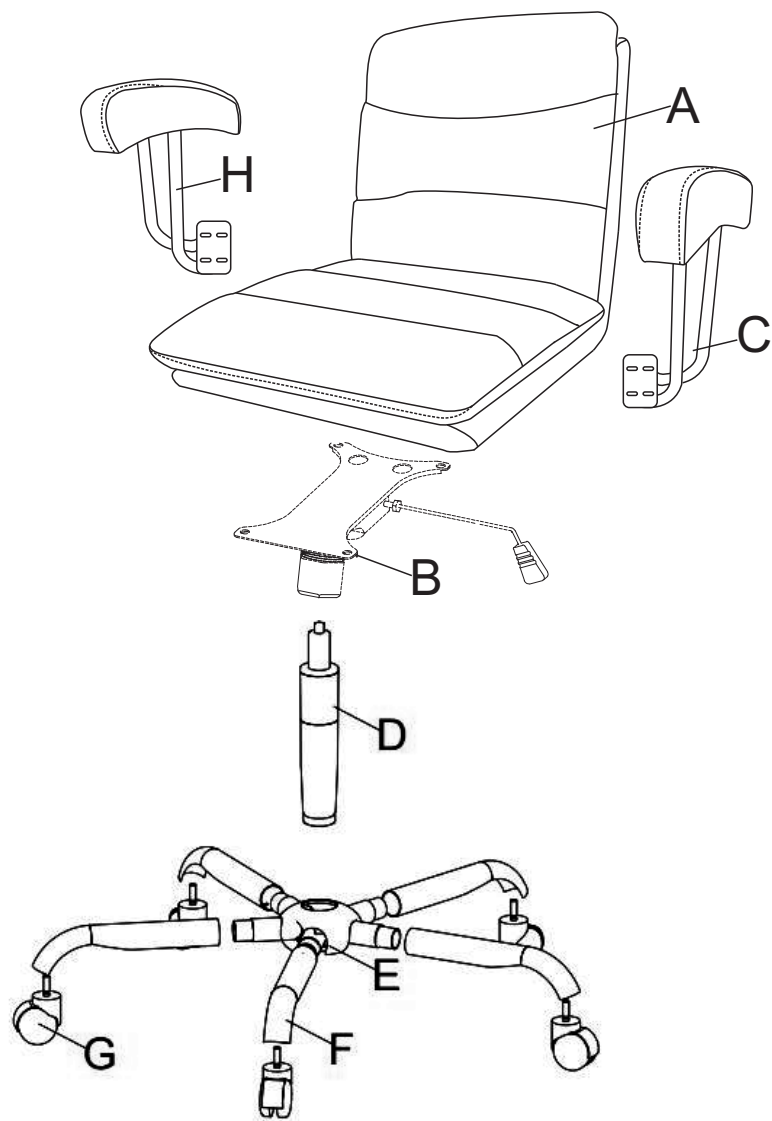
HARDWARE SPARE LIST

| | | | |
|-------|----|-------|----|
| #1 | x1 | #2 | x1 |
| | | | |
| Bolt | | Bolt | |
| M6*12 | | M6*18 | |

1 Personen



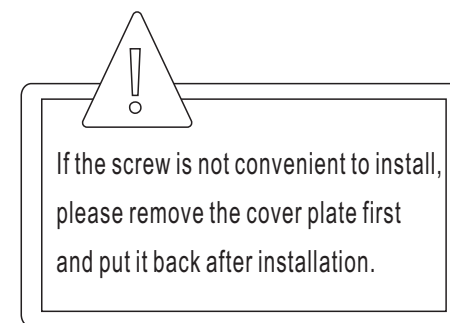
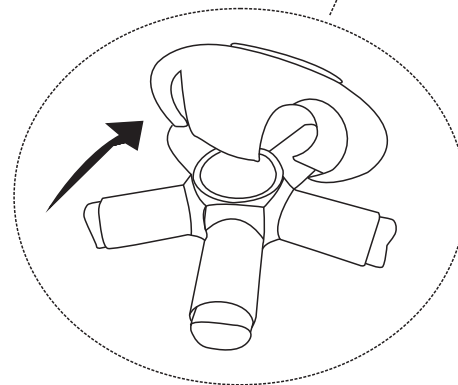
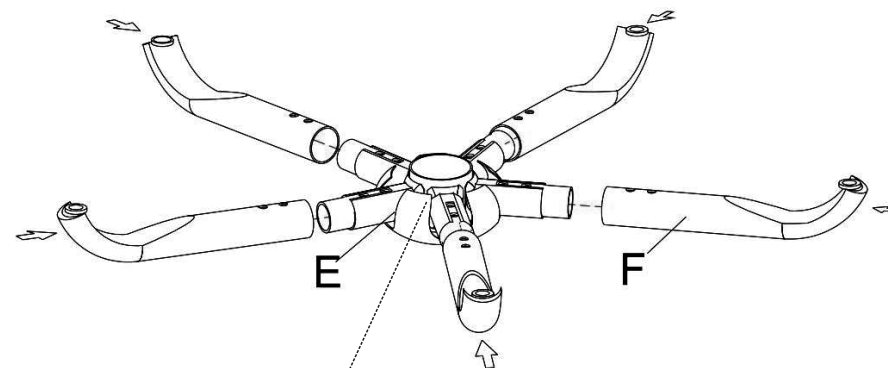
ASSEMBLY INSTRUCTIONS



Overview


ASSEMBLY INSTRUCTIONS

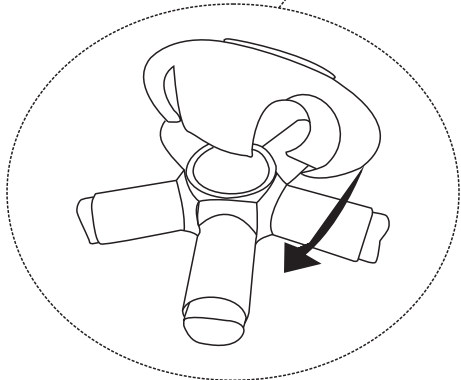
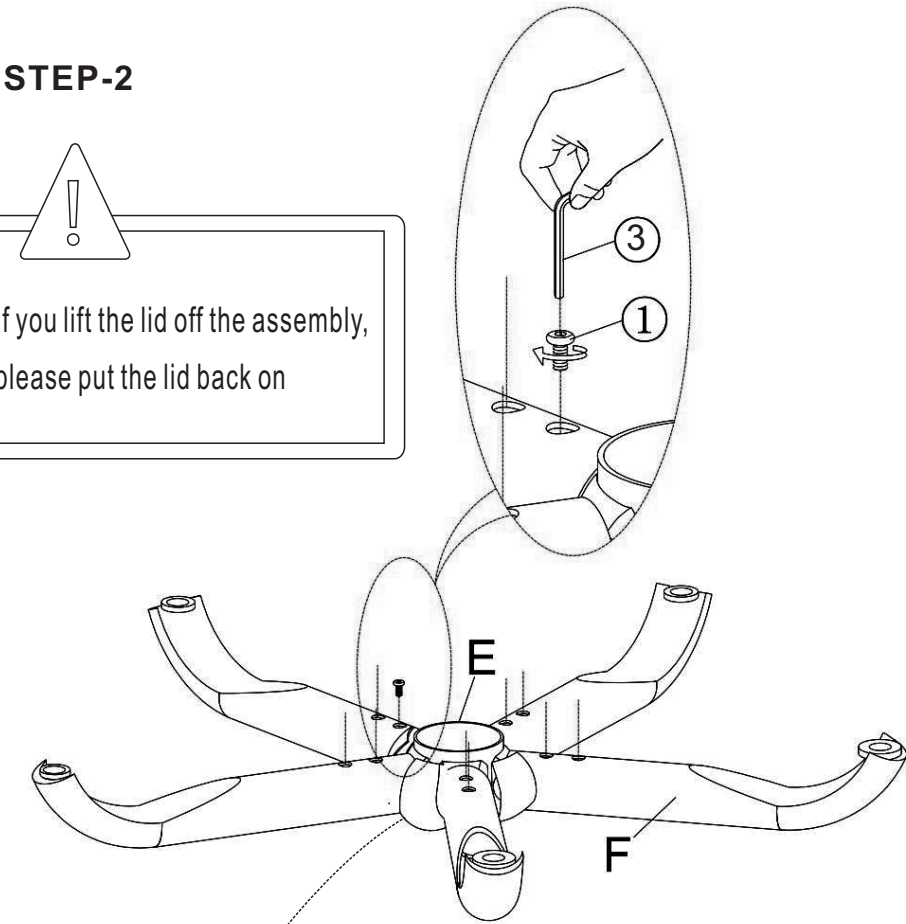
STEP-1


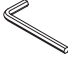


ASSEMBLY INSTRUCTIONS

STEP-2

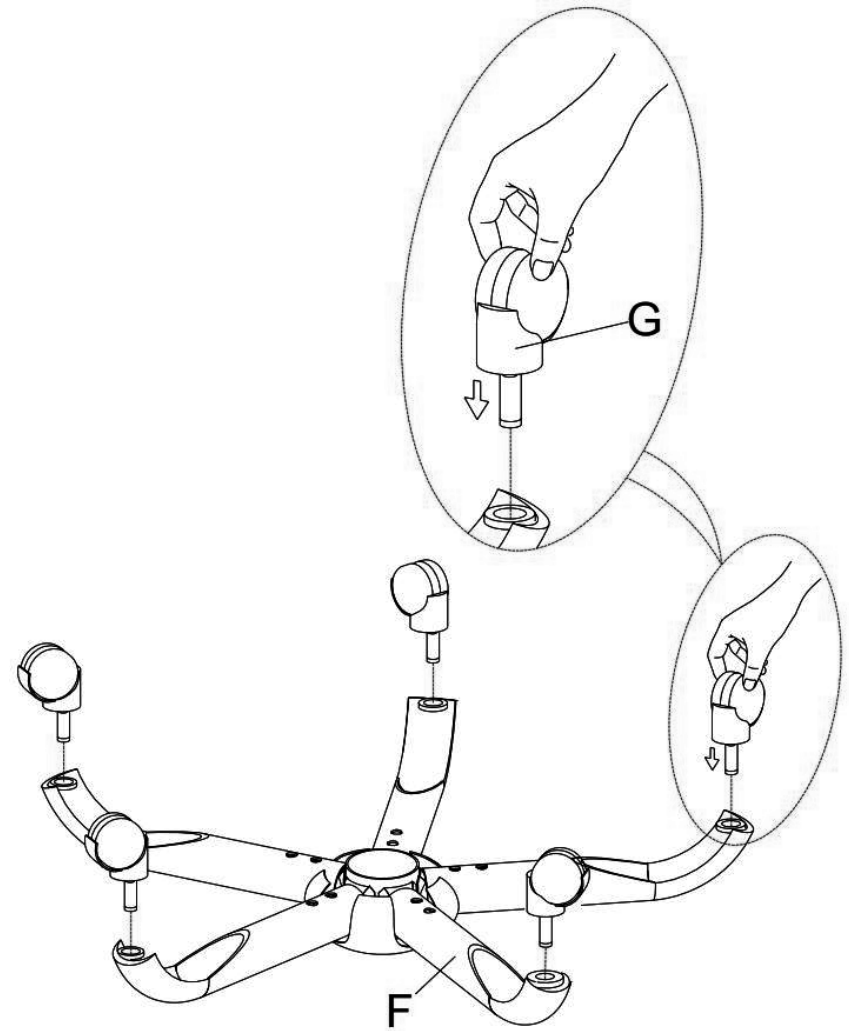

If you lift the lid off the assembly,
please put the lid back on



| | | | |
|---|-----|---|----|
| #1 | x10 | #3 | x1 |
|  | |  | |
| Bolt | | Allen Key | |
| M6*12 | | M6 | |

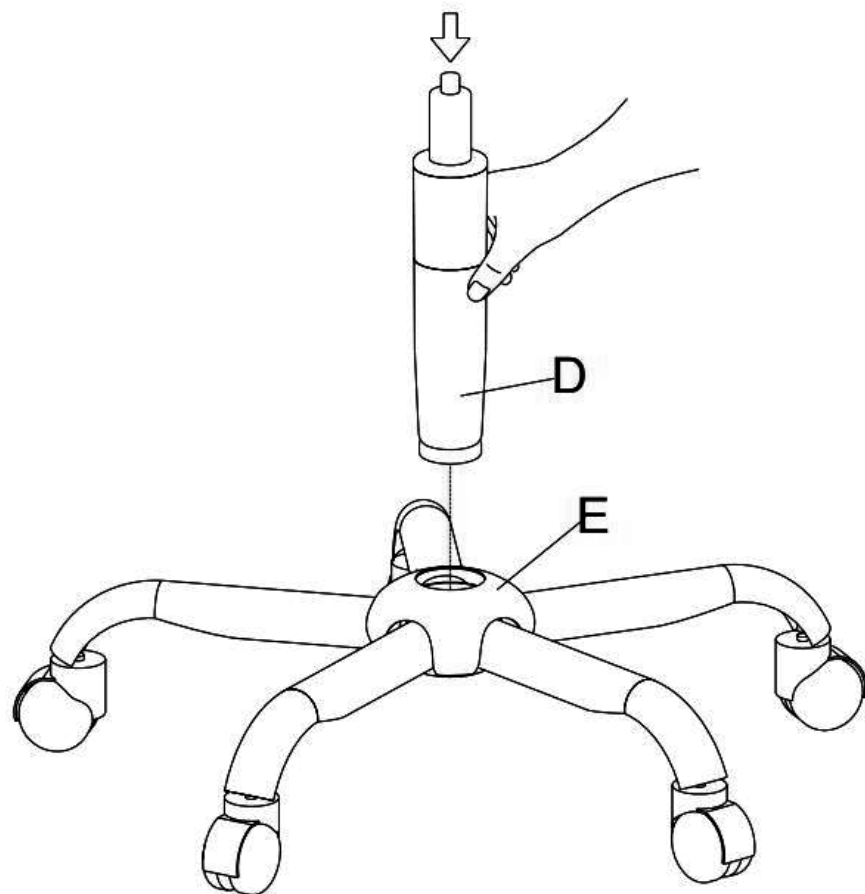
ASSEMBLY INSTRUCTIONS

STEP-3



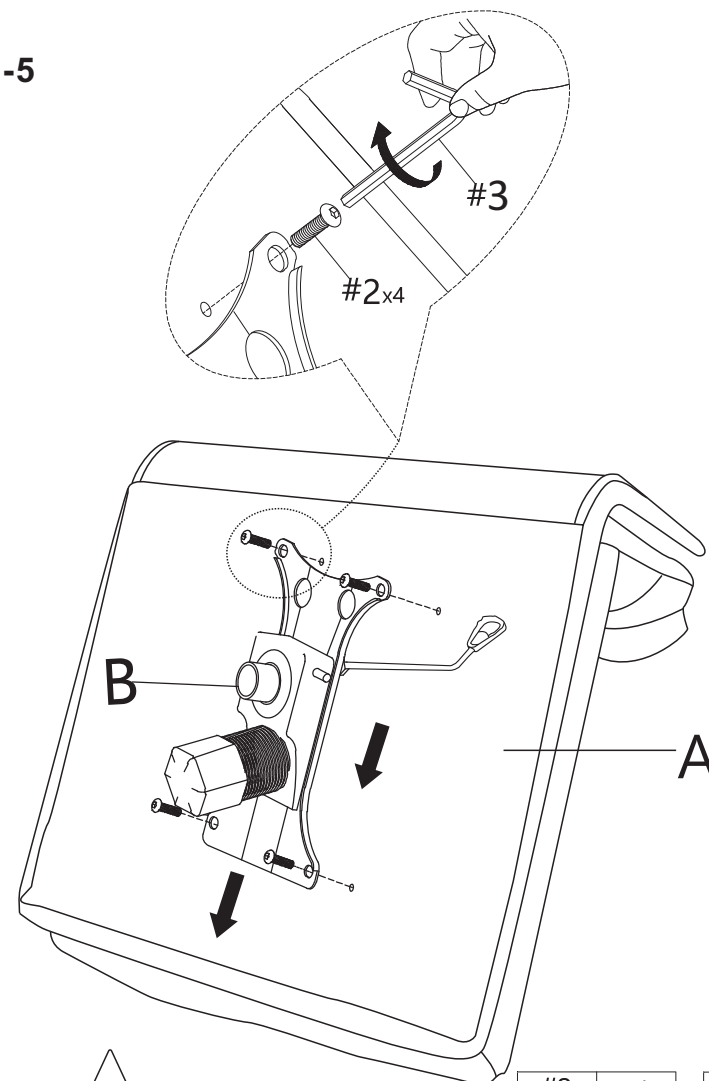
ASSEMBLY INSTRUCTIONS


STEP-4

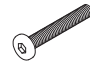



ASSEMBLY INSTRUCTIONS

STEP-5

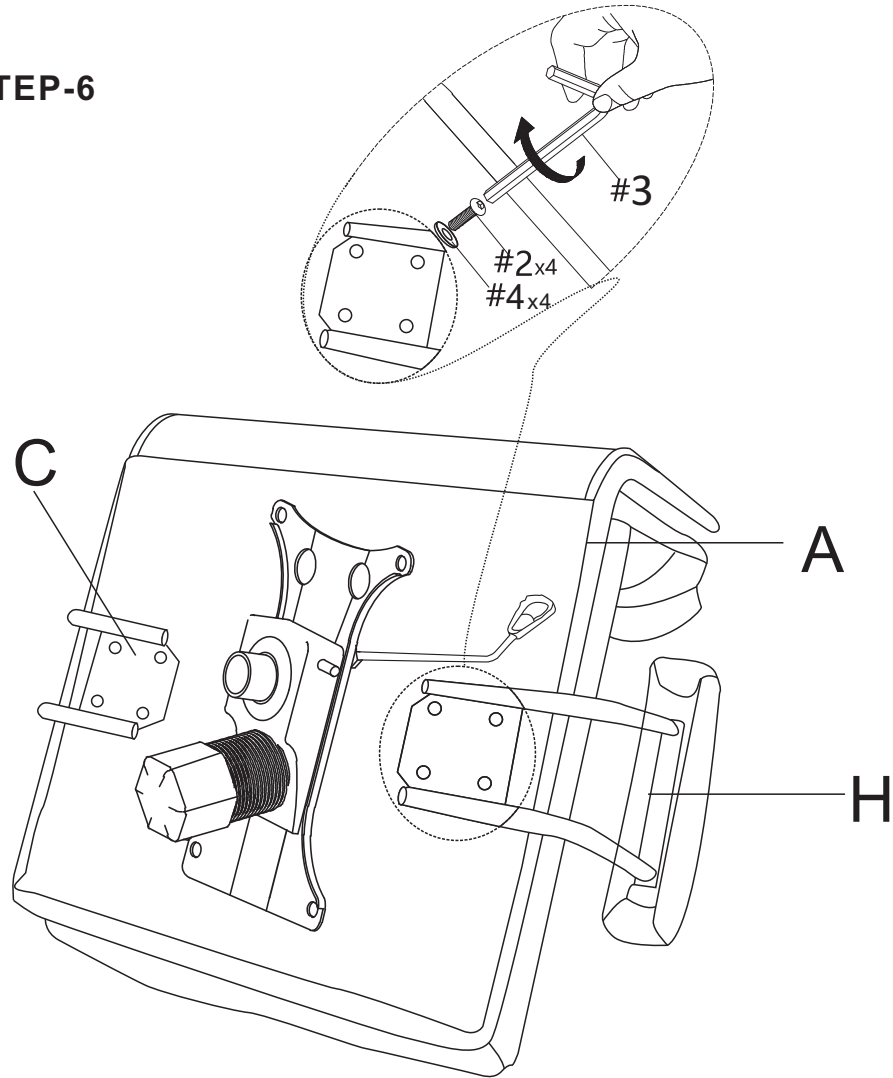


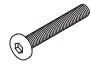


The installation tray is mounted
down the arrow

| #2 | x4 | #3 | x1 |
|---|----|---|----|
|  | |  | |
| Bolt | | Allen Key | |
| M6*18 | | M6 | |

ASSEMBLY INSTRUCTIONS

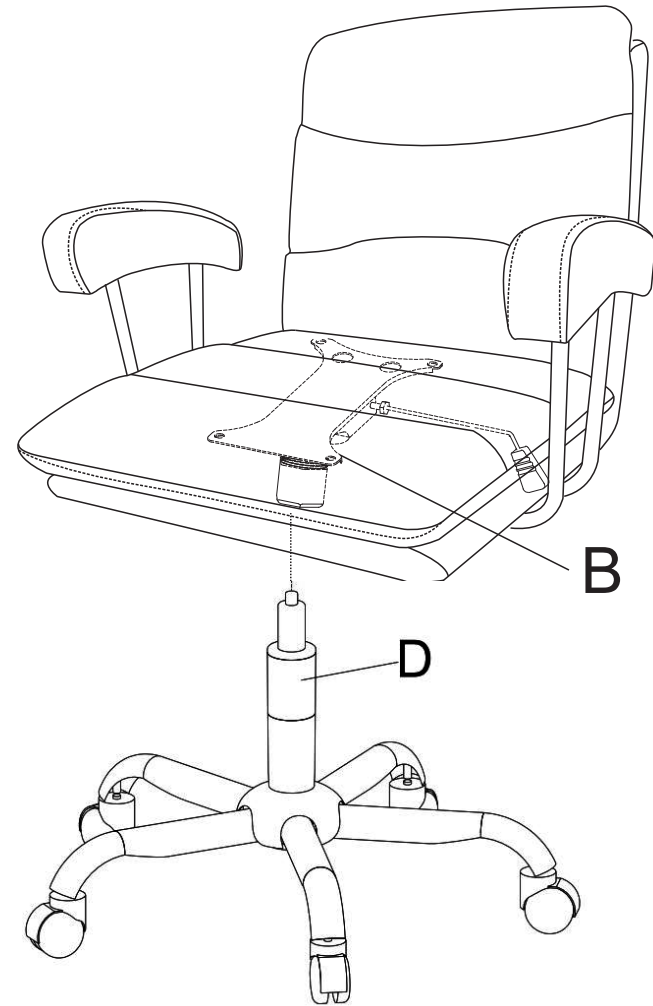
STEP-6



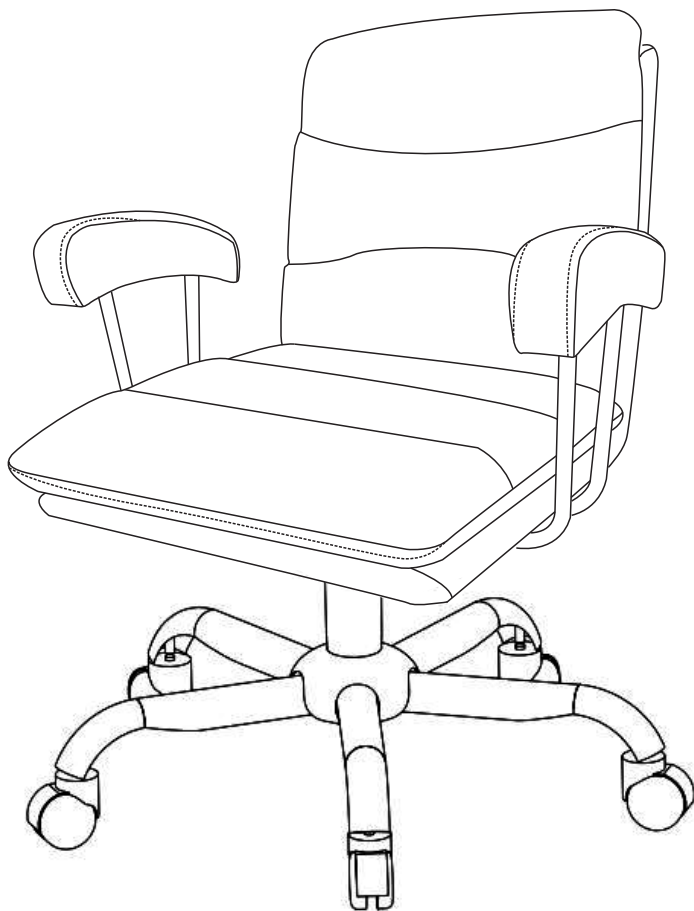
| | | | |
|---|----|--|----|
| #2 | x8 | #3 | x1 |
|  | |  | |
| Bolt M6*18 | | Allen Key M6 | |

ASSEMBLY INSTRUCTIONS

STEP-7



STEP 8



Assembly completed.