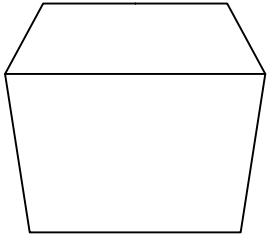
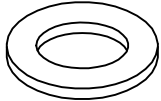
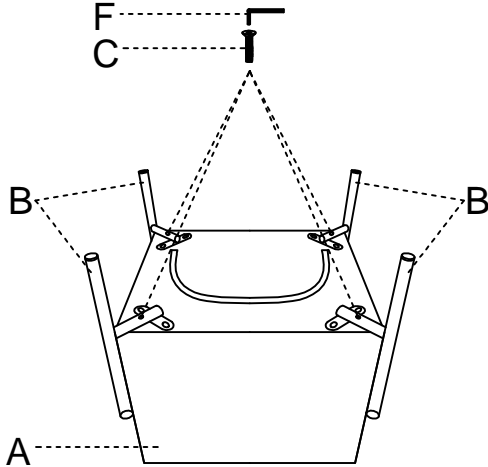
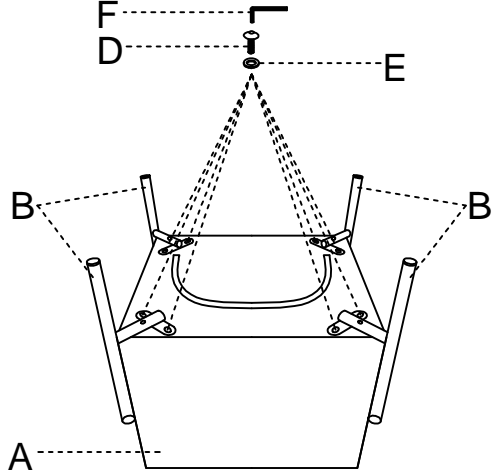
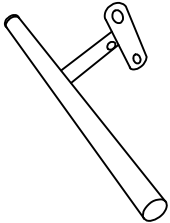

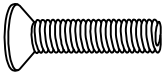
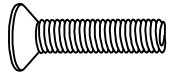
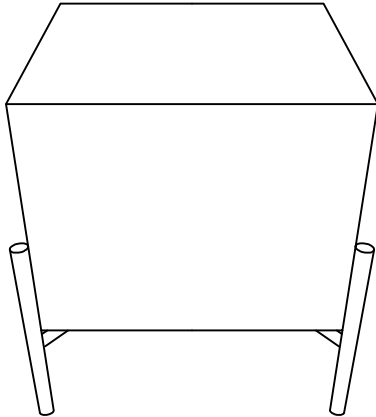

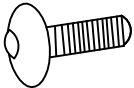
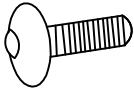


Assembly Instructions

Item No:OTDT0217

<p>A*1</p> 	<p>E*8 M6*16mm</p> 	<p>① Place the seat A on a clean padded surface. Use bolt C, allen key F to connect the metal legs B to bottom of the seat A. Don't fasten any bolts until step 2.</p> 	<p>② Use bolt D, allen key F to connect metal plate of leg B with seat A. then fasten all bolts to secure.</p> 
<p>B*4</p> 	<p>F*1 M5</p> 		
<p>C*4 M6*30mm</p> 	<p>G*1 M6*30mm</p>  <p>EXTRA PARTS</p>	<p>③ Assembly completed.</p>  <div data-bbox="1697 895 2002 1246" style="border: 1px solid black; padding: 5px; margin-top: 20px;"> <p style="text-align: center;">!</p> <p>For velvet: With help of adult partner, iron the fabric cover to stretch the wrinkles and dent mark with steam iron while necessary, please separate with a towel before ironing..</p> </div> <div data-bbox="1512 1187 1637 1286" style="text-align: center; margin-top: 20px;">  <p>WARNING</p> </div> <p style="margin-top: 20px;">Attention: Be sure to check all packing material carefully for small parts, which may have come loose inside the carton during shipment.</p>	
<p>D*8 M6*18mm</p> 	<p>H*1 M6*18mm</p>  <p>EXTRA PARTS</p>		