

WARRANTY

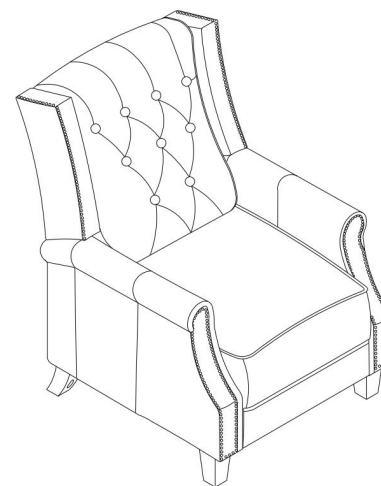
We strive to offer high-quality products, and we also try our best to satisfy each and every customer that orders from us with product or service as needed. We provide 30 days warranty starting from the time you receive the item. Each customer must provide a record of their order such as the order number, or item receipt for any items that are out of the warranty period you may also still receive replacement parts by purchasing them with our company if they are available.

**Are you having difficulty
with assembly? Missing parts?**

**Please send email with your order No to
customerservice@hulalahome.com**

**For return, please check the return policy with
the retailer or market place you bought from.**

**Appreciate your purchasing from us.
Pop up your life by our furniture piece!**



ITEM NO. RCXA0464

NOTE:

This brochure contains IMPORTANT safty info. Please read and keep for future reference.

MAINTAINANCE AND WARNING

- Keep furniture away from heat.
- Do not clean furniture with harsh cleansers or polish. Do not use detergents, Solvents, abrasives, spray packs or leather cleaner. Use non-color mild soap with warm water clean spills(Mix 1:10 soap to water)
- Do not place furniture under direct sunlight, material will possibly fade over time.
- Do not use on site dry Cleaning machine.
- Children should not climb or jump on the furniture.
- Do not write on furniture without a padded barrier to protect the surface.
- Not for commercial use, For residential use only.

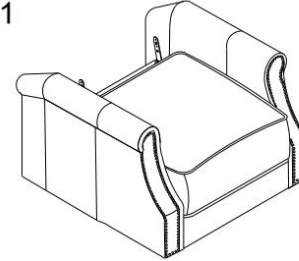


Weight Limitation

250LBS

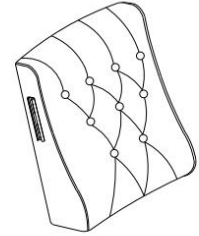
PARTS LIST

A*1



Seat Frame

B*1



Back

C*1



Left Wng

D*1



Right Wng

E*2



Front Legs

F*2



Back Legs

HARDWARE LIST

①*2
M8*80mm



Bolt

②*2
M8*120mm



Bolt

③*1
M8



Allen Key

④*4
Ø35mm*5mm



Floor pad

⑤*4
20mm



Flat washer

SPARE

①*1
M8*80mm



Bolt

②*1
M8*120mm



Bolt

④*1
Ø35mm*5mm



Floor pad

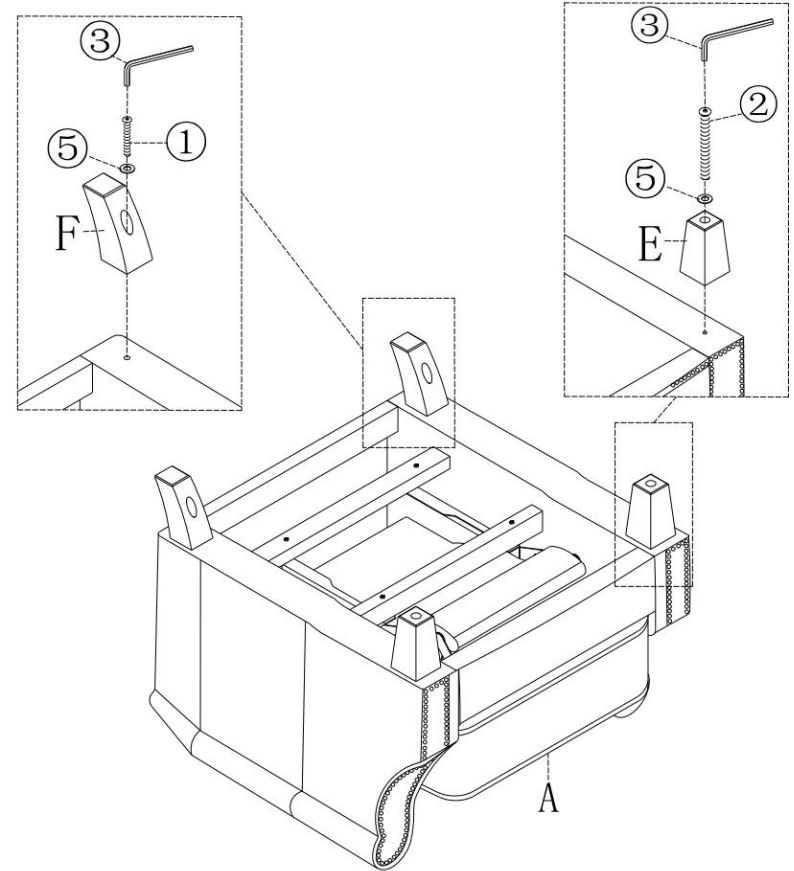
⑤*1
20mm



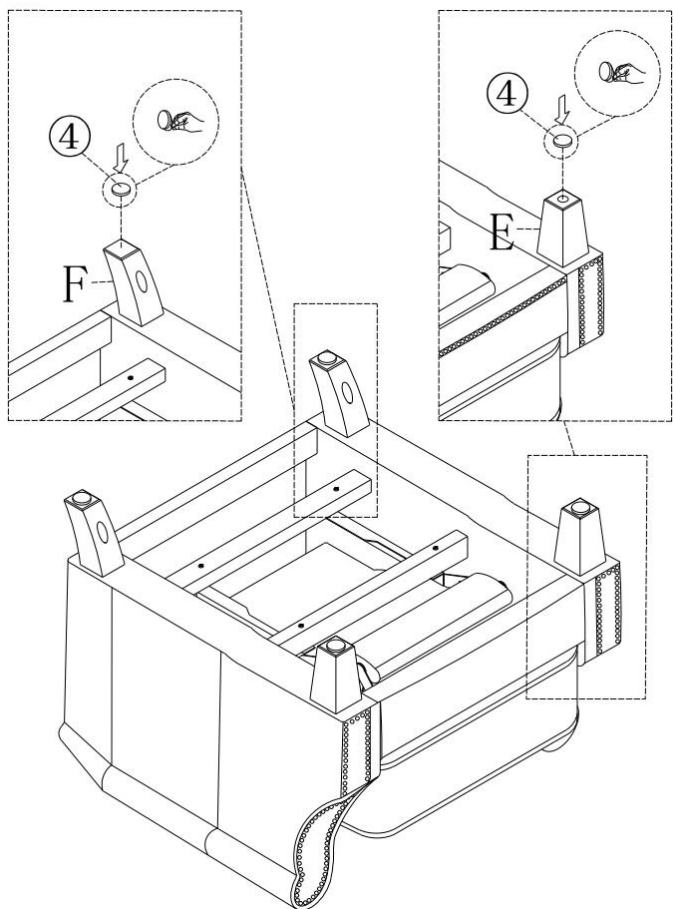
Flat washer

Be sure to check all packing material carefully for small parts, which may have come loose inside the carton during shipment.

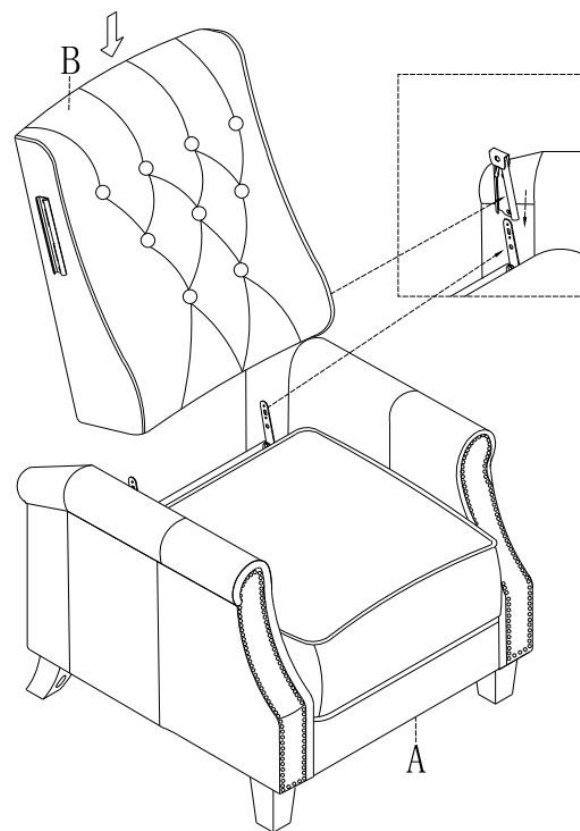
ASSEMBLY INSTRUCTIONS



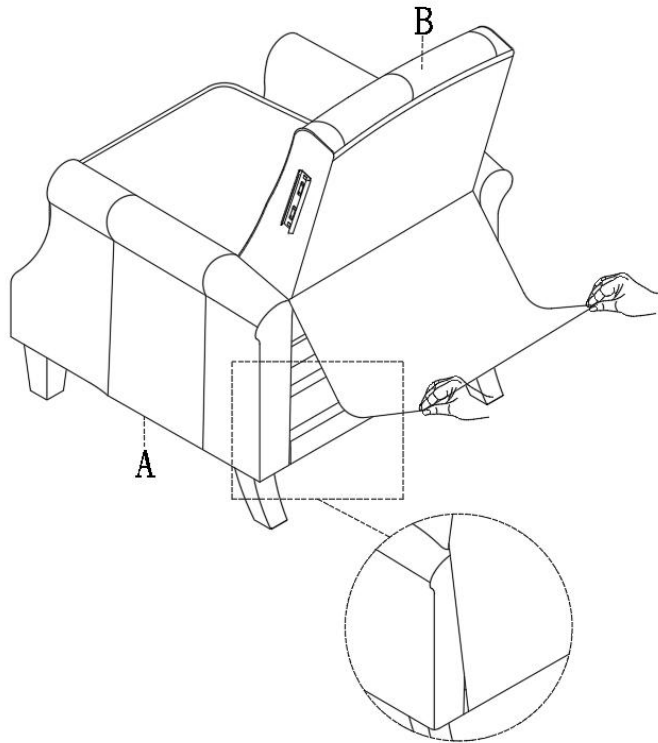
STEP 1: Turn the seat frame A upside down on clean padded surface, use bolt #2, allen key #3 to attach front leg E and use bolt #1, allen key #3 to attach back leg F to bottom of seat frame A, make sure all bolt holes align then fasten all bolts to secure.



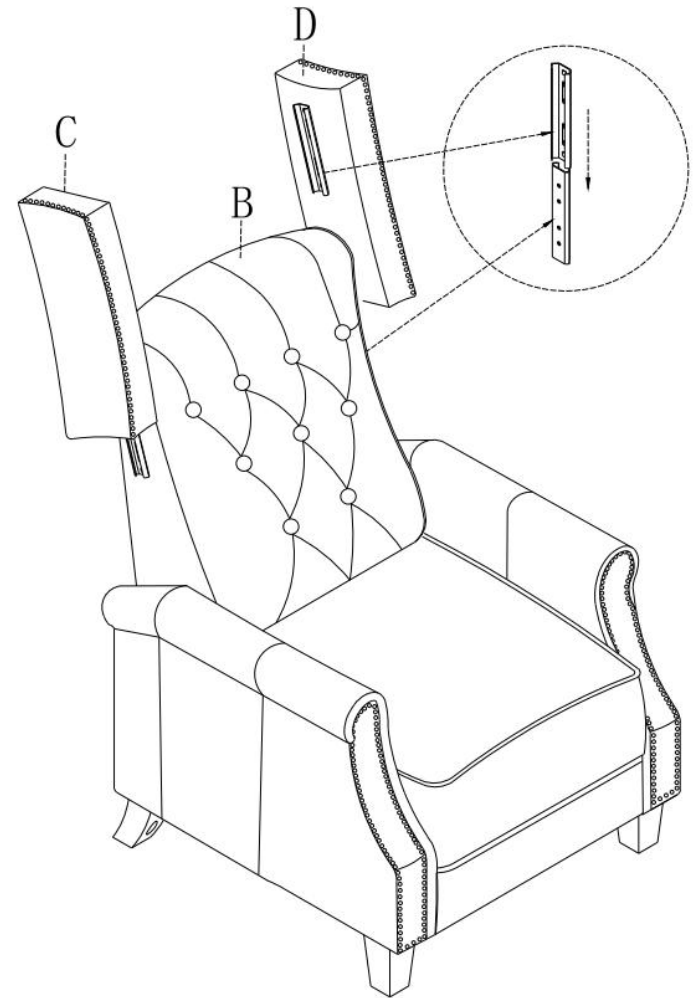
STEP 2: Take floor pads #4 and paste on bottom of legs E/F.



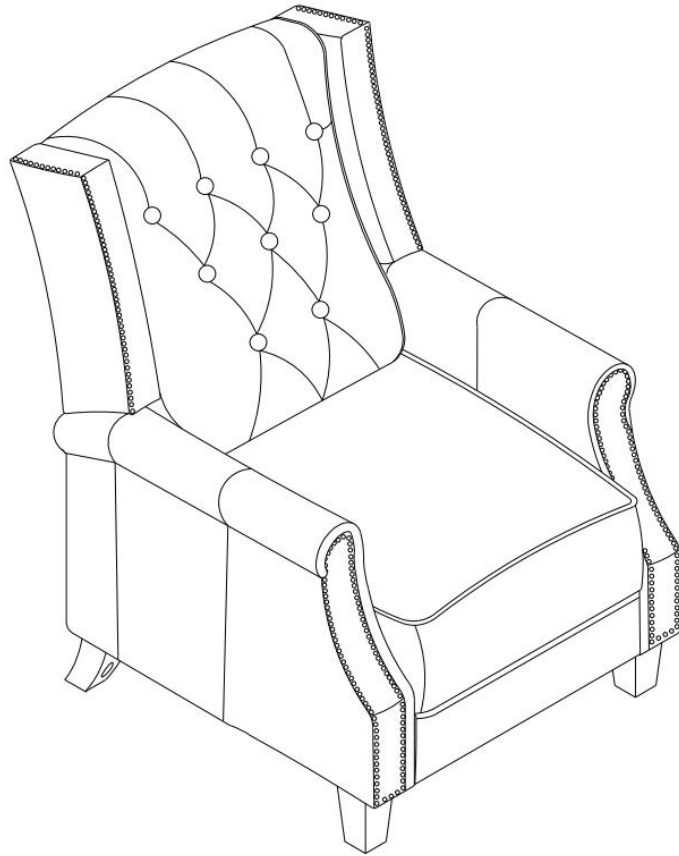
STEP 3: Turn the chair base assembly upright, carefully align male and female metal brackets on both sides then push the back B all the way down to secure.



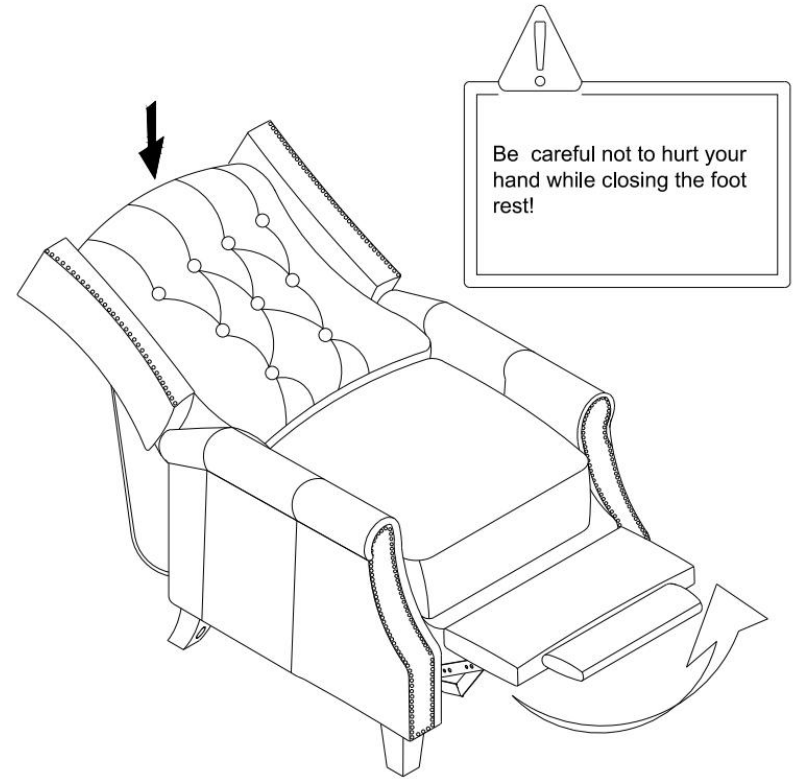
STEP 4: Smooth the lower back flap and carefully secure the velcro belt to rear bottom edge of seat frame.



STEP 5: Carefully align male and female metal bracket then slide the left wing C and right wing D down to secure.



STEP 6:Assembly completed.



STEP7 : Push the backrest to fully recline the chair or press the footrest to return the chair to upright position.