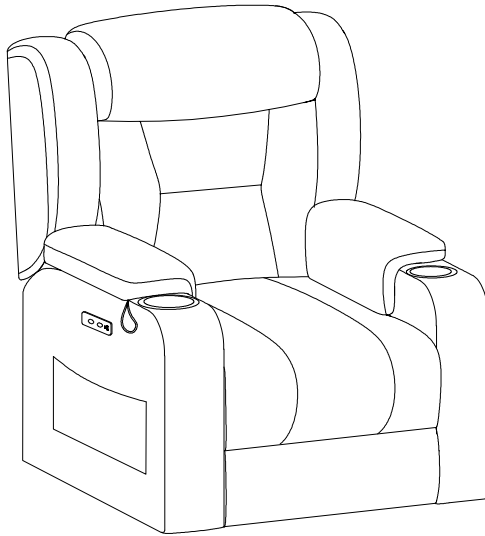


HULALA

H O M E



ITEM NO.RCXN1068D

NOTE:

This brochure contains IMPORTANT safety info. Please read and keep for future reference.

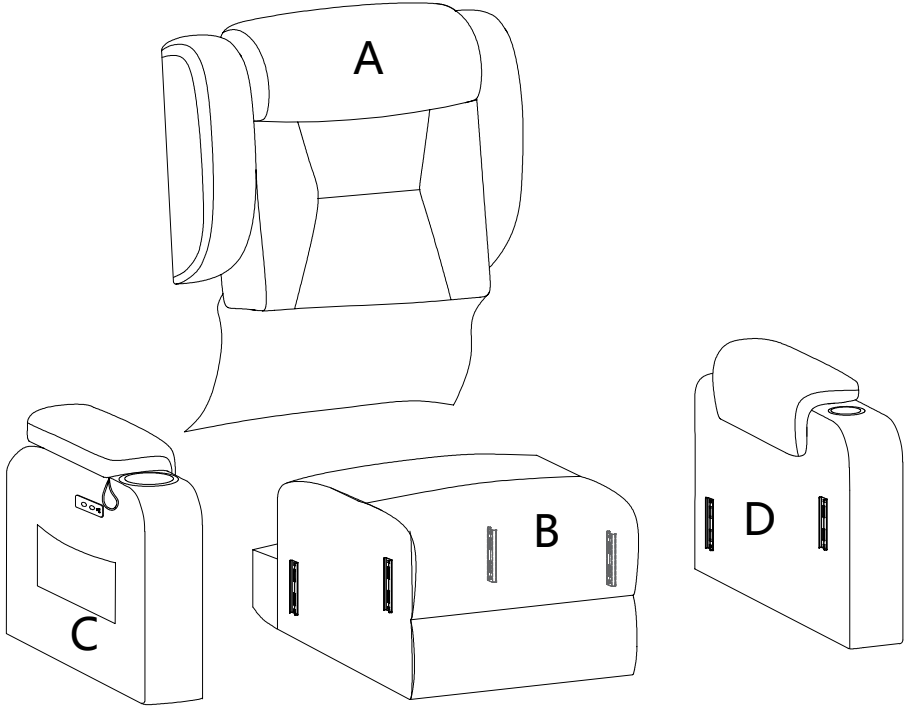
MAINTAINANCE AND WARNING

1. We suggest you spend a short time reading through this leaflet and then follow the simple step-by-step instructions.
2. Carefully check that you have all the parts before beginning assembly.
3. Keep fittings out of children's reach and keep children well away from construction area
4. We suggest you retain these instructions for future reference.
5. Keep furniture away from heat sources.
6. Do not clean furniture with harsh cleaner or polishes.
7. Do not use detergents, solvents, abrasives, spray packs or leather cleaner.
8. Use non-color mild soap with warm water to clean spills (Mix 1:10 soap to water).
9. Do not place furniture under direct sunlight, material will possibly fade over time.
10. Do not use on site dry cleaning machine.
Children should not climb or jump on the furniture.
11. Do not write on furniture that is not protected by a padded barrier.
12. Not for commercial use, only for residential use.

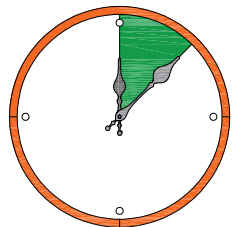


Weight Limitation
300 LBS

Exploded Diagram

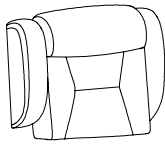
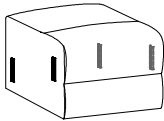


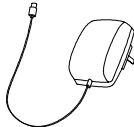
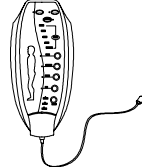
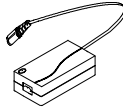

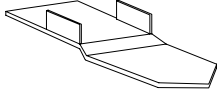




One person



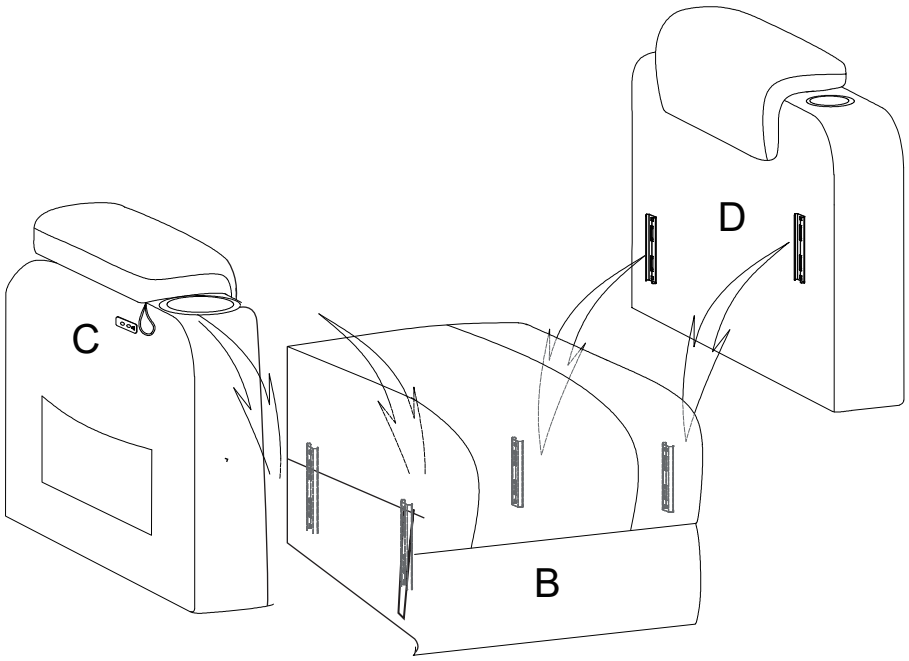
Around 45 min
03/16

PARTS LIST

A	x1	B	x1	C	x1	D	x1
							
Backrest		Seat cushion		Left arm		Right arm	
E	x1	F	x1	G	x1	H	x1
							
Massage plug		Massage remote		Power source		Power plug	
I	x2	J	x2	K	x2		
							
		Bolt		Cam Nut			


ASSEMBLY INSTRUCTIONS

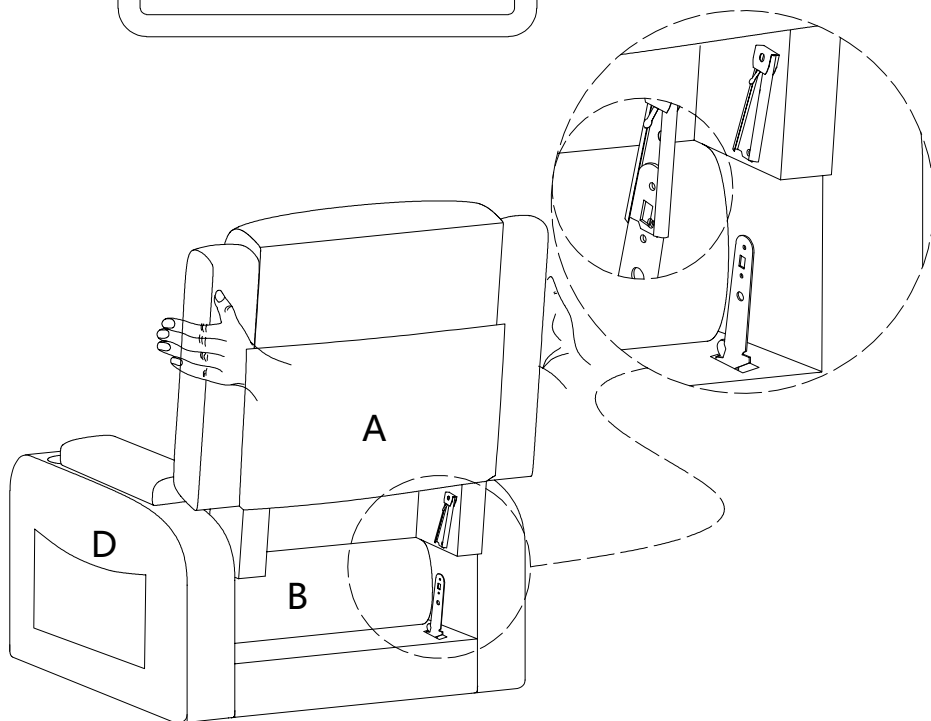
STEP-1



ASSEMBLY INSTRUCTIONS

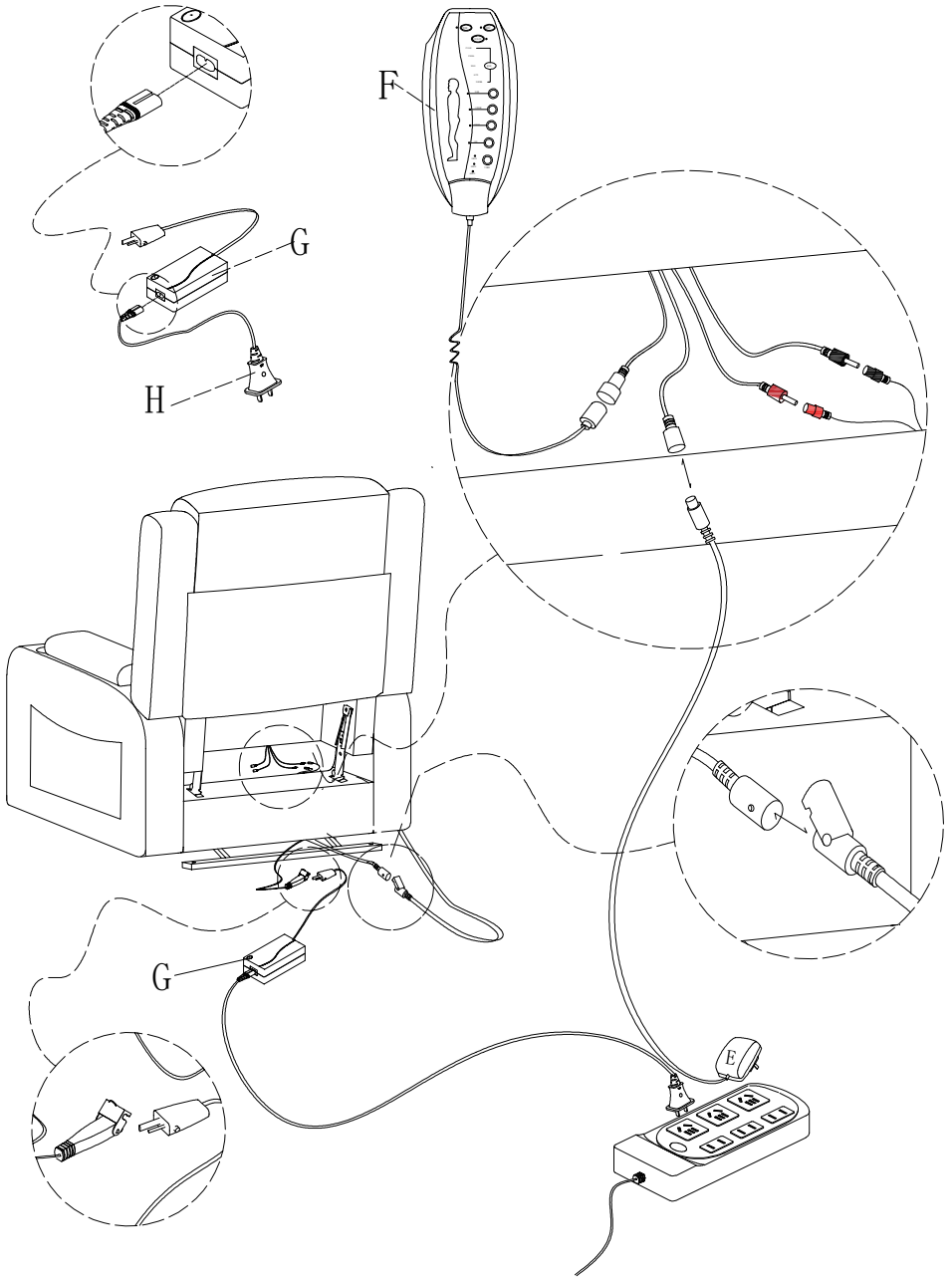
STEP-2


Be sure to have adult partner help to hold both armrests while aligning metal brackets on backrest/armrests.



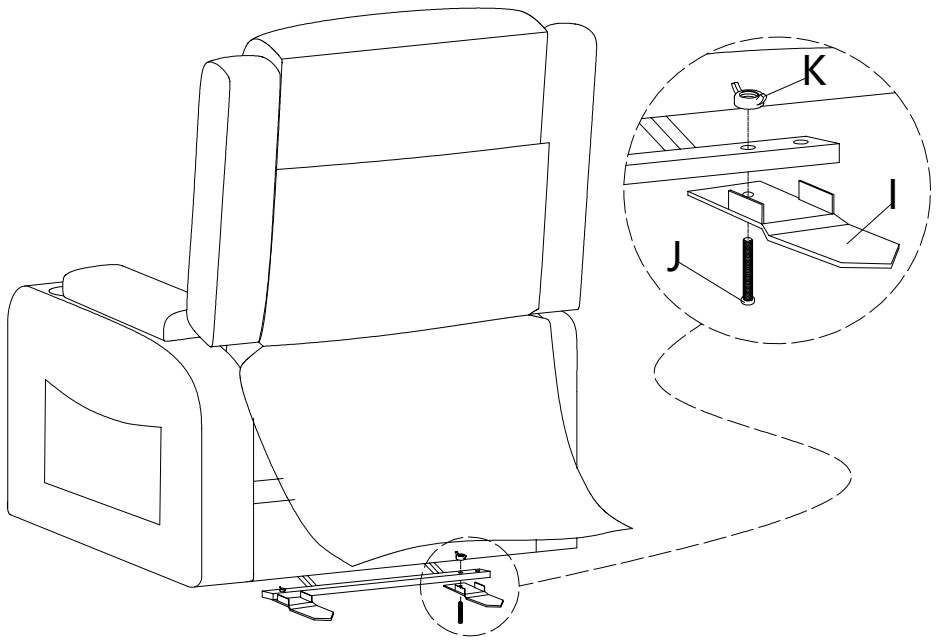
ASSEMBLY INSTRUCTIONS

STEP-3



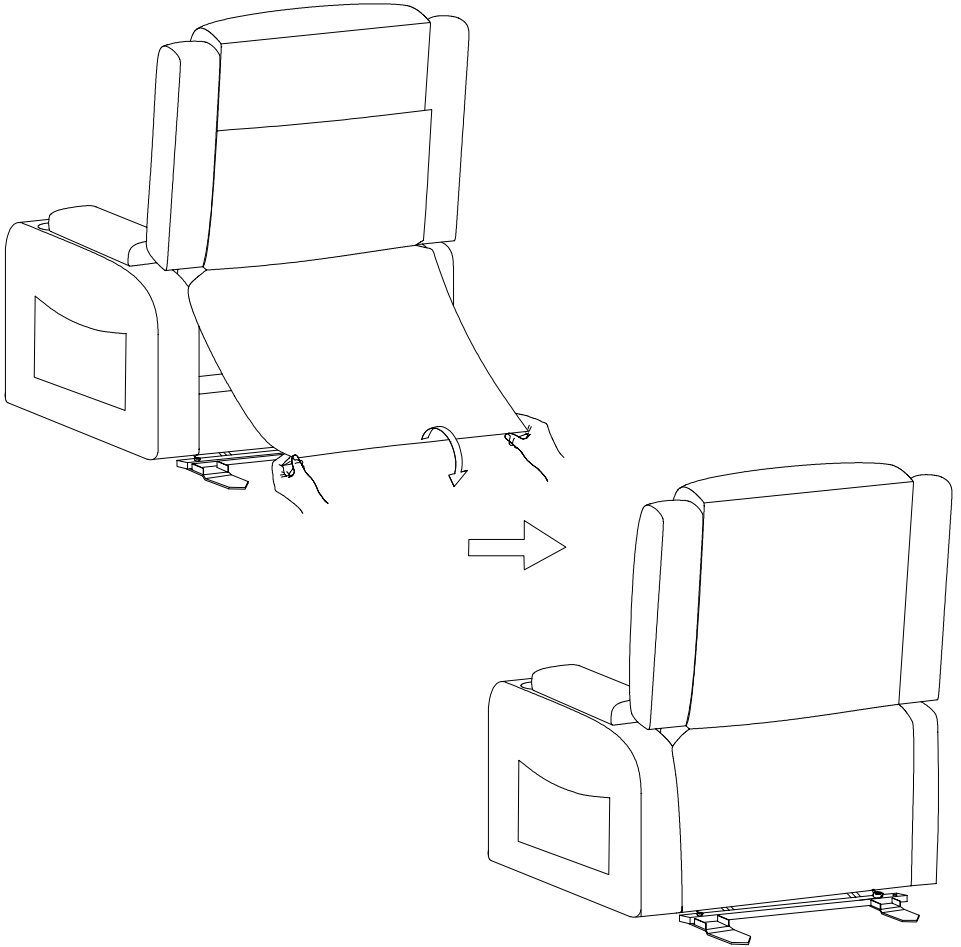
ASSEMBLY INSTRUCTIONS

STEP-4

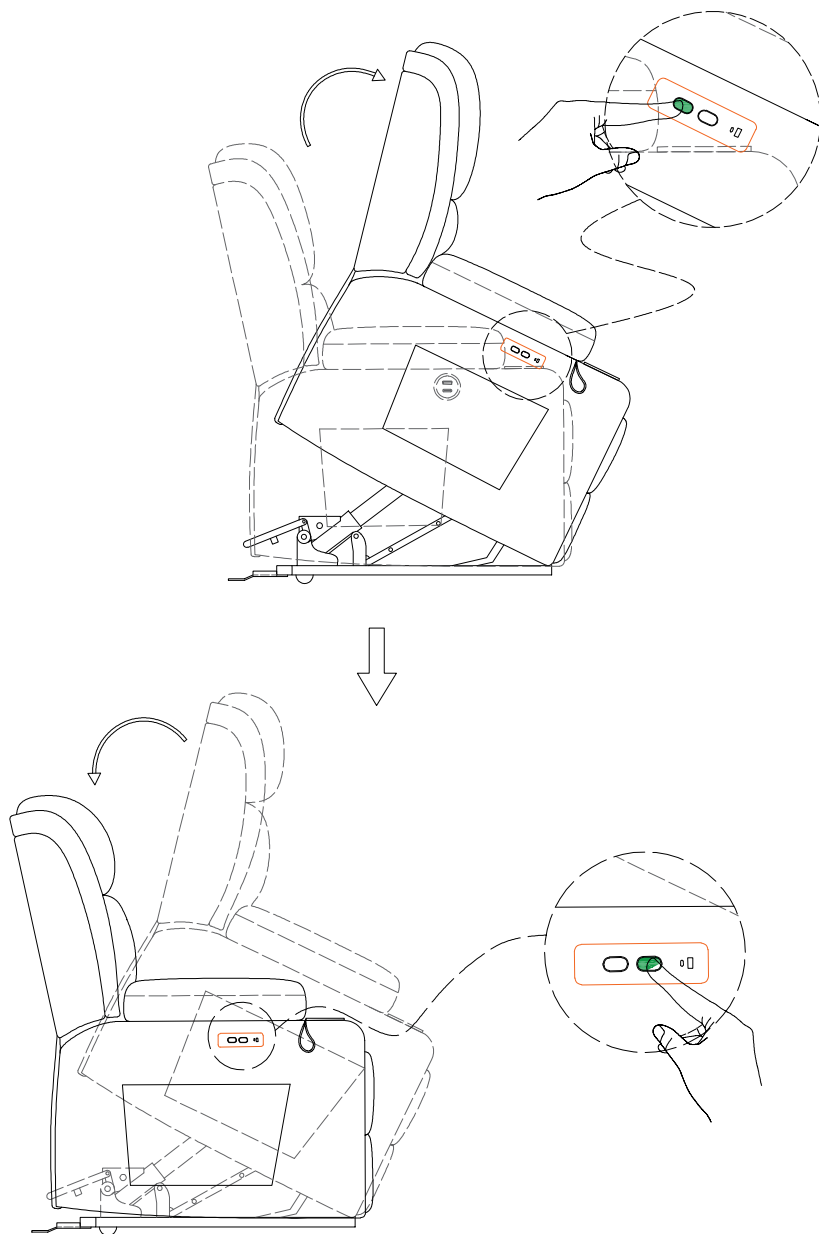


ASSEMBLY INSTRUCTIONS

STEP-4

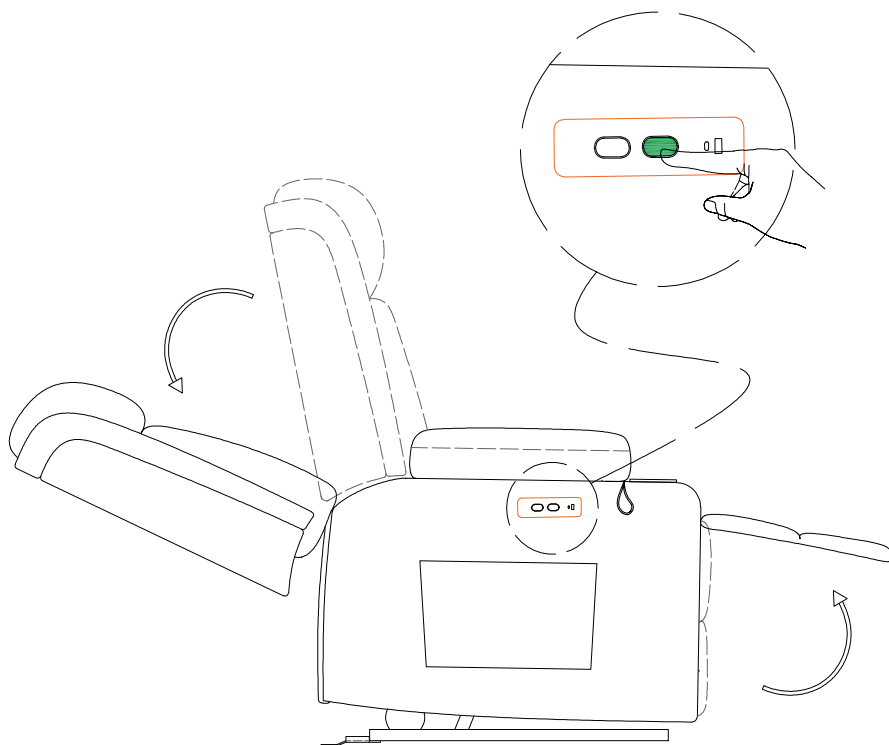


ASSEMBLY INSTRUCTIONS

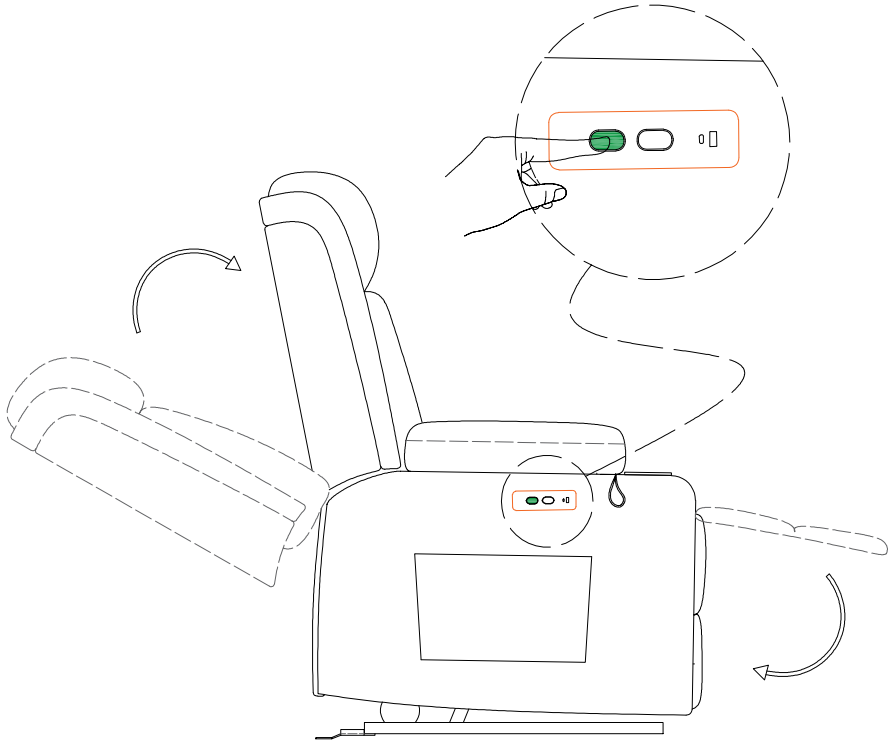


ASSEMBLY INSTRUCTIONS

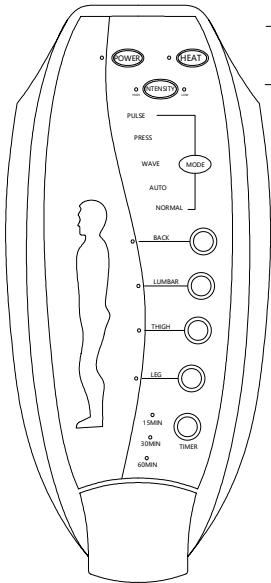
STEP-6



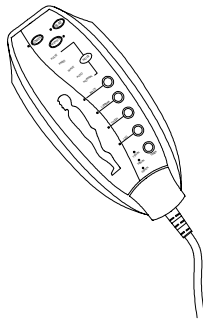
ASSEMBLY INSTRUCTIONS



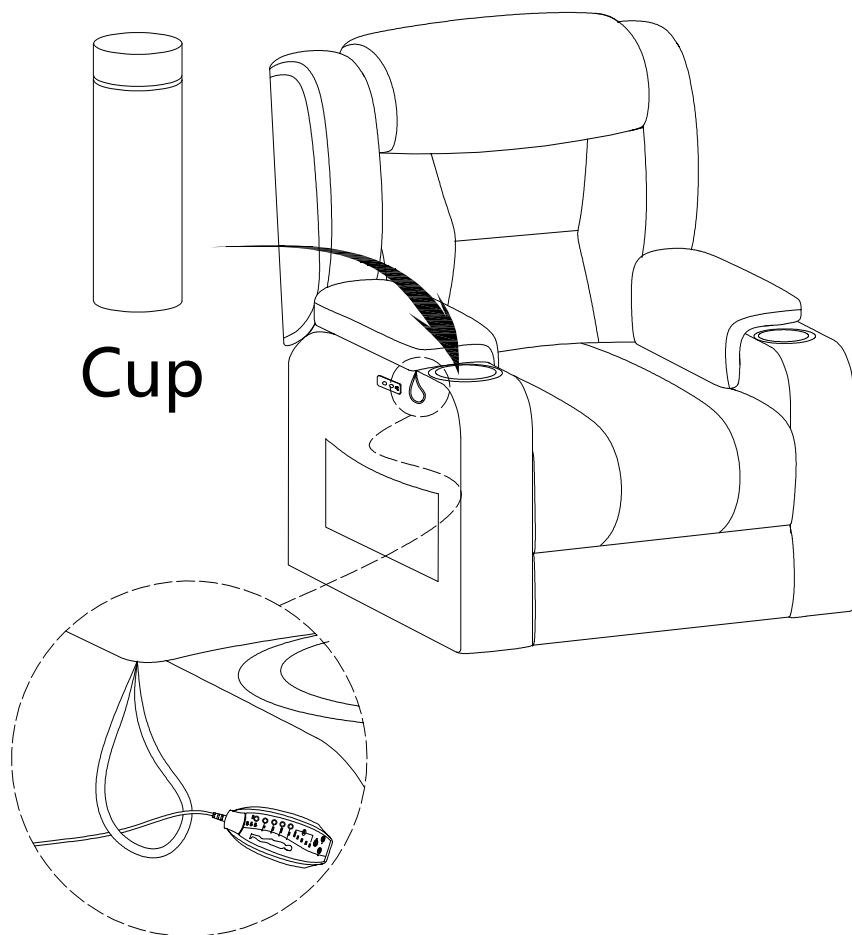
ASSEMBLY INSTRUCTIONS



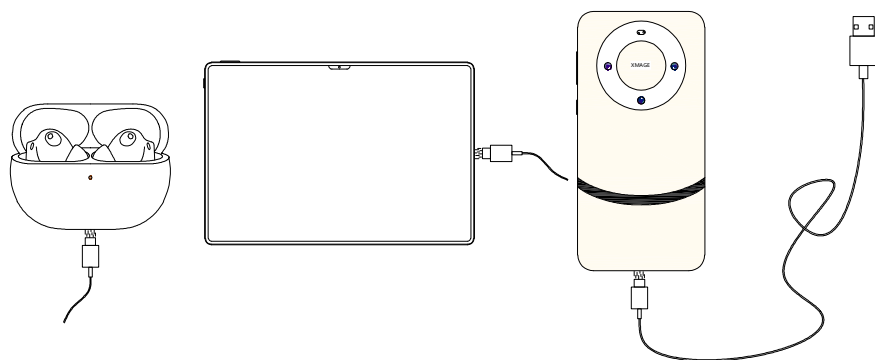
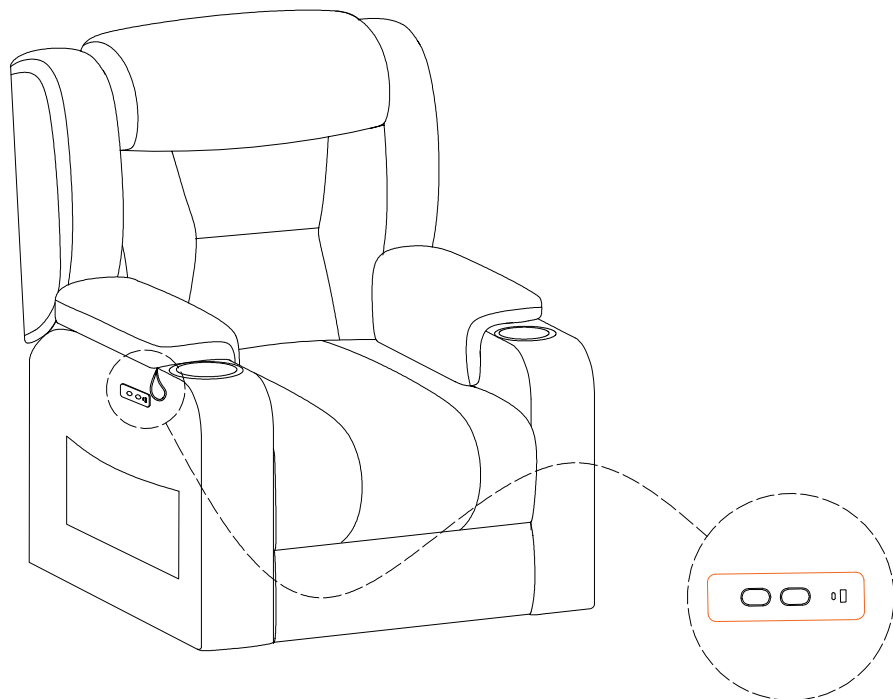
- **POWER:** Turn on/off remote control.
- **HEAT:** Turn on/off heat function for lumbar part only.
- **INTENSITY:** Control massage function from low to high.
- **MODE:** Choose one massage mode you like(pulse,press, wave,auto, normal)
- You can choose 1-4 massage parts(back, lumbar, thighs, legs)to enjoy.



ASSEMBLY INSTRUCTIONS



ASSEMBLY INSTRUCTIONS



WARRANTY

1. We strive to offer high-quality products, and we also try our best to satisfy each and every customer that orders from us with product or service as needed.
2. We provide 30 days warranty starting from the time you receive the item. Each customer must provide a record of their order such as the order number, or item receipt for any items that are out of the warranty period you may also still receive.
3. Replacement parts by purchasing them with our company if they are available.

Are you having difficulty
With assembly? Missing parts?
Please send email with your order No to
customerservice@hulalahome.com
For return, please check the return policy with
the retailer or market place you bought from.

Appreciate your purchasing from us.
Pop up your life by our furniture piece!