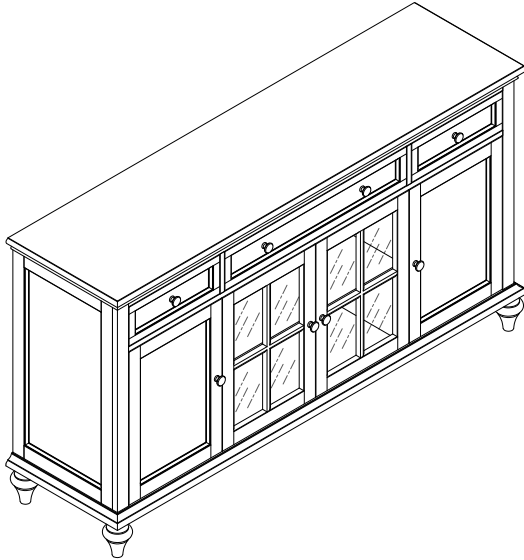
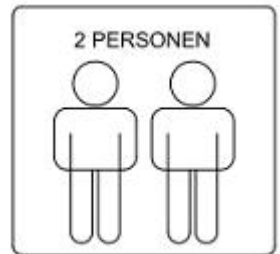


# HULALA

H O M E



**ITEM NO. SBHM0622**



---

## **NOTE:**

---

This brochure contains IMPORTANT safty info. Please read and keep for future reference.

---

# MAINTAINANCE AND WARNING

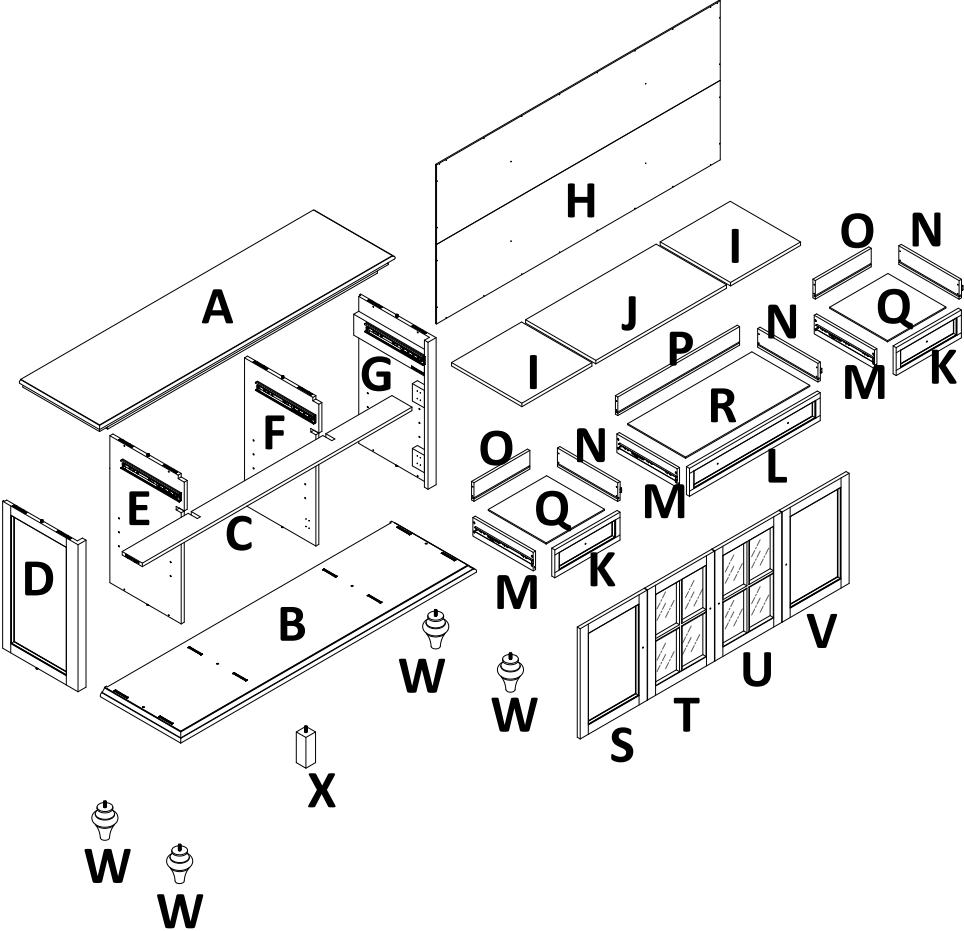
- Keep furniture away from heat.
- Do not clean furniture with harsh cleansers or polish. Do not use detergents, Solvents, abrasives, spray packs or leather cleaner. Use non-color mild soap with warm water clean spills(Mix 1:10 soap to water)
- Do not place furniture under direct sunlight, material will possibly fade over time.
- Do not use on site dry Cleaning machine.
- Children should not climb or jump on the furniture.
- Do not write on furniture without a padded barrier to protect the surface.
- Not for commercial use, For residential use only.



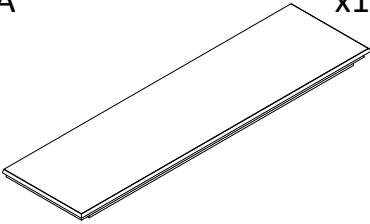
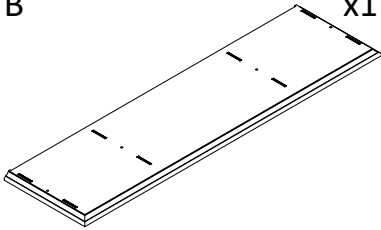
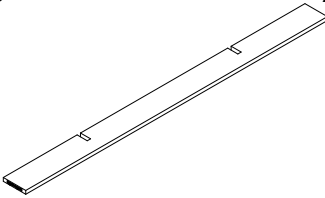
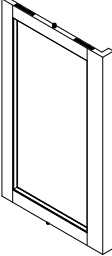
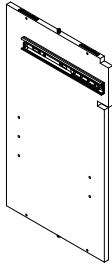
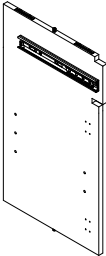
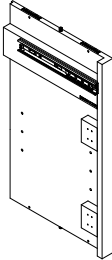
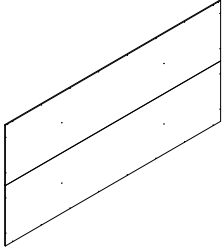
Weight Limitation

**150LBS**

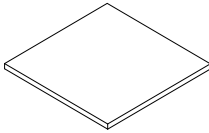
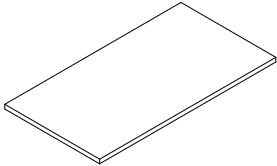
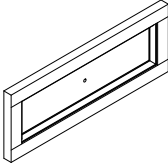
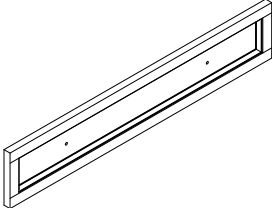
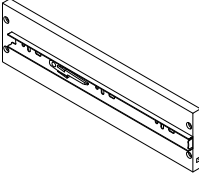
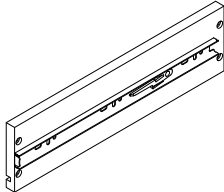
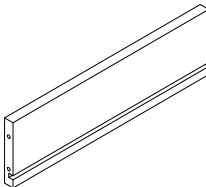
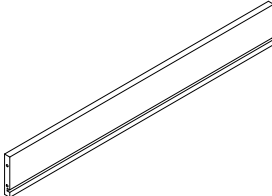
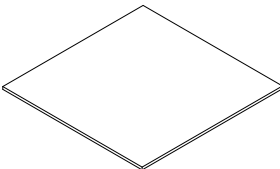
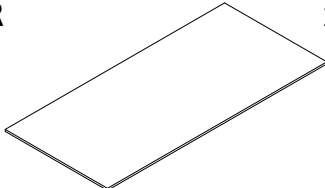
# ASSEMBLY INSTRUCTIONS



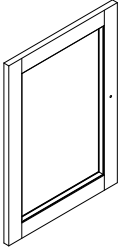
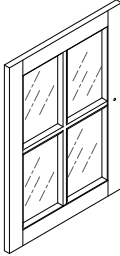
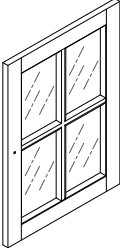
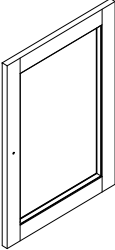
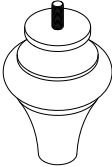
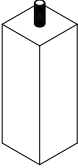
# PARTS LIST

<p>A  x1</p> <p>Top Panel</p>	<p>B  x1</p> <p>Bottom panel</p>
<p>C  x1</p> <p>Front rail</p>	<p>D  x1</p> <p>Left side panel</p>
<p>E  x1</p> <p>Middle left vertical panel</p>	<p>F  x1</p> <p>Middle right vertical panel</p>
<p>G  x1</p> <p>Right side panel</p>	<p>H  x1</p> <p>Back panel</p>


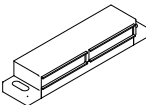

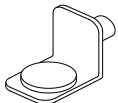

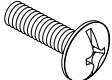
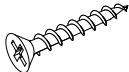

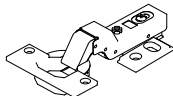

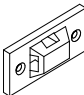
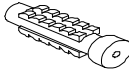
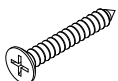

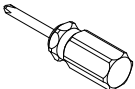
# PARTS LIST

<p>I  x2</p> <p>Adjustable panel side</p>	<p>J  x1</p> <p>Adjustable panel middle</p>
<p>K  x2</p> <p>Drawer front side</p>	<p>L  x1</p> <p>Drawer front middle</p>
<p>M  x3</p> <p>Drawer side left</p>	<p>N  x3</p> <p>Drawer side right</p>
<p>O  x2</p> <p>Drawer back side</p>	<p>P  x1</p> <p>Drawer back middle</p>
<p>Q  x2</p> <p>Drawer bottom side</p>	<p>R  x1</p> <p>Drawer bottom middle</p>

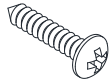
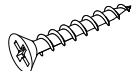
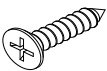
# PARTS LIST

<p>S</p>  <p>x1</p> <p>Left door</p>	<p>T</p>  <p>x1</p> <p>Middle left door</p>
<p>U</p>  <p>x1</p> <p>Middle right door</p>	<p>V</p>  <p>x1</p> <p>Right door</p>
<p>W</p>  <p>x4</p> <p>Leg</p>	<p>X</p>  <p>x1</p> <p>Middle leg</p>

# HARDWARE LIST

1  Allen wrench x1	2  Magnet x1	3  Screw ø3x15mm x28
4  Shelf holder x12	5  Knob x8	6  Bolt ø4x19mm x8
7  Screw ø8x25mm x24	8  Hinge x4	9  Hinge x4
10  Screw ø3x15mm x52	11  Bracket x4	12  Expansion nut x4
13  Screw ø7x35mm x4	14  Plastic belt x2	15  Screwdriver x1

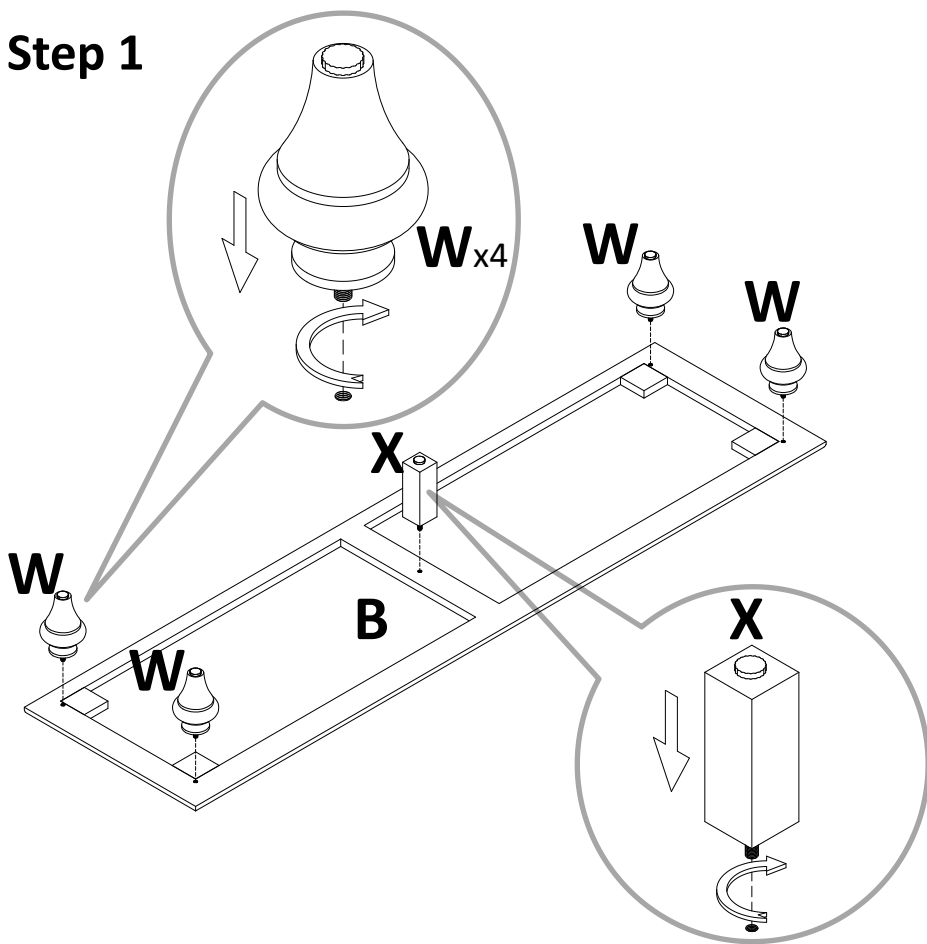
## SPARE

3  Screw ø3x15mm x2	7  Screw ø8x25mm x1	10  Screw ø3x15mm x2
--	--	---

Be sure to check all packing material carefully for small parts, which may have come loose inside the carton during shipment.

# ASSEMBLY INSTRUCTIONS

## Step 1






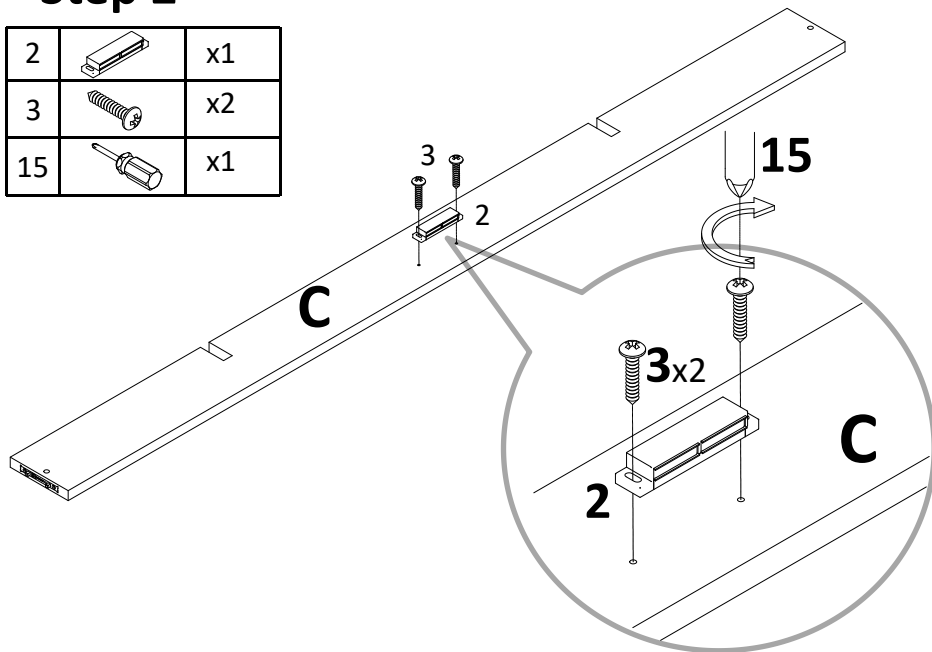
Attach leg(X/W) to bottom panel(B) , tight it with hand.



# ASSEMBLY INSTRUCTIONS

## Step 2

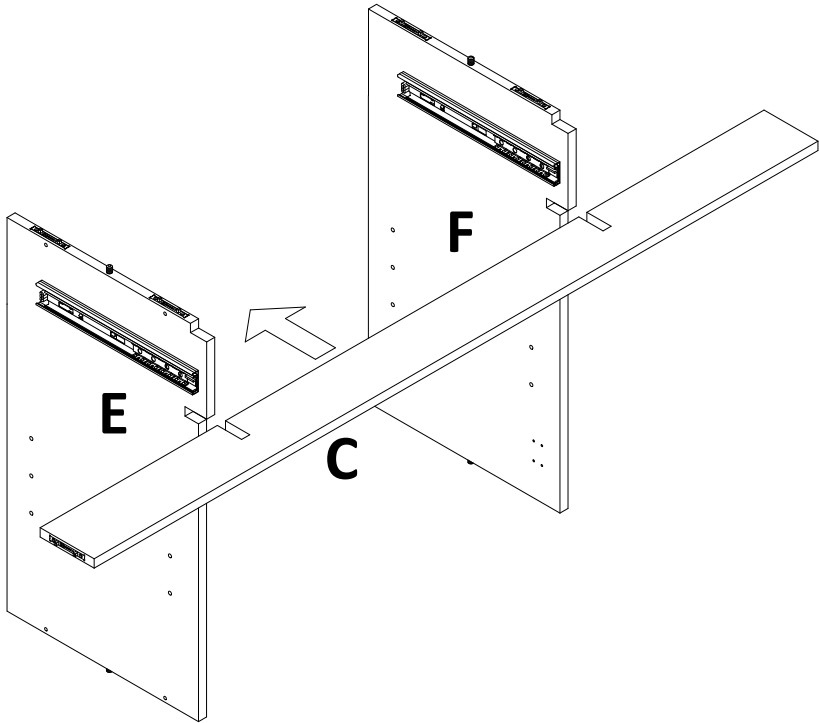
2		x1
3		x2
15		x1



Attach Magnet(2) to front rail (C) with screw(3) , tight it with screwdriver(15).

# ASSEMBLY INSTRUCTIONS

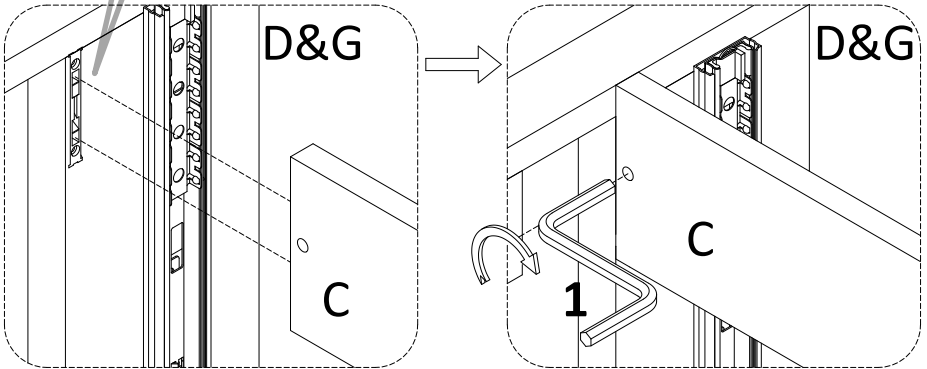
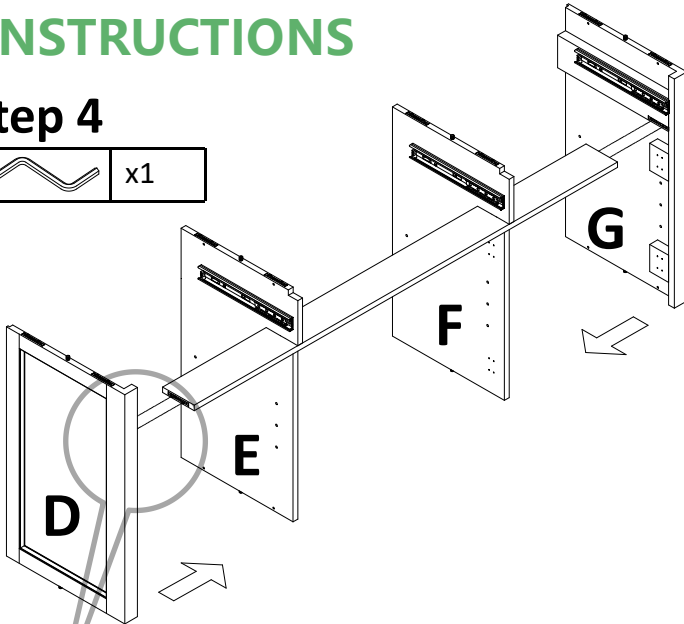
## Step 3



Slide front rail(C) to middle left vertical panel(E ) and middle right vertical panel(F).

# ASSEMBLY INSTRUCTIONS

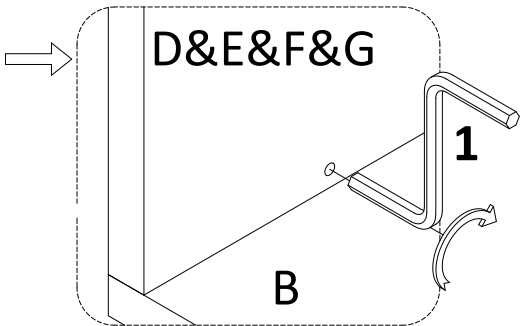
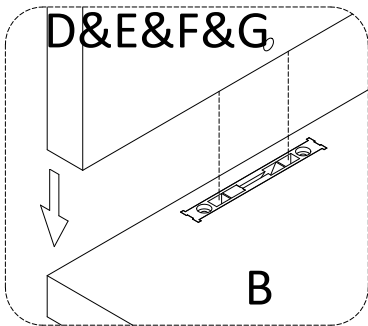
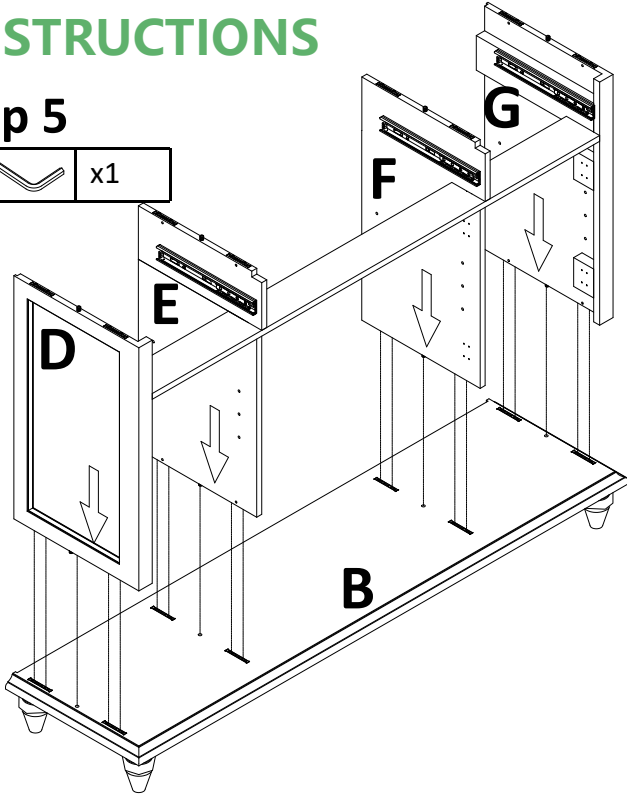
## Step 4



Attach left side panel(D) and right side panel(G) to preassemble unit at step 3 , and tight it with Allen wrench(1).

# ASSEMBLY INSTRUCTIONS

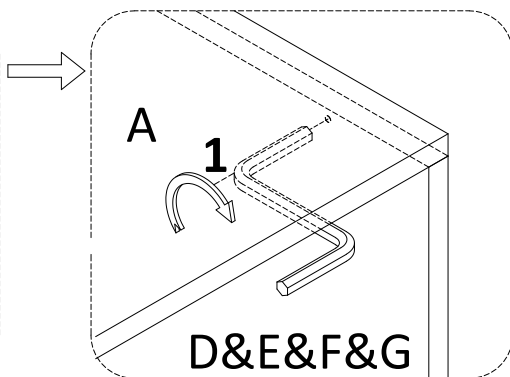
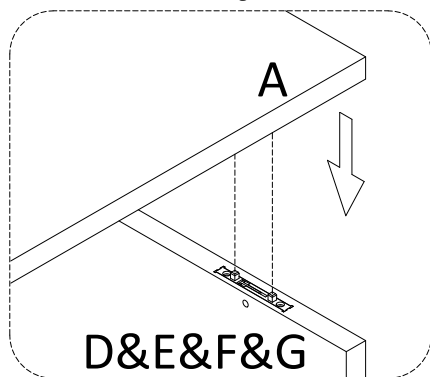
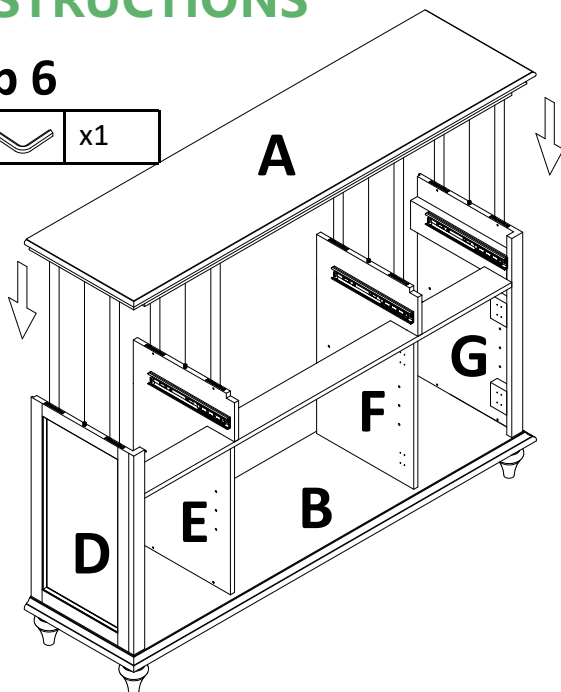
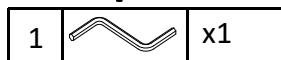
## Step 5



Attach preassembly unit at step 4 to bottom panel(B) , and tight it with Allen wrench(1).

# ASSEMBLY INSTRUCTIONS



## Step 6

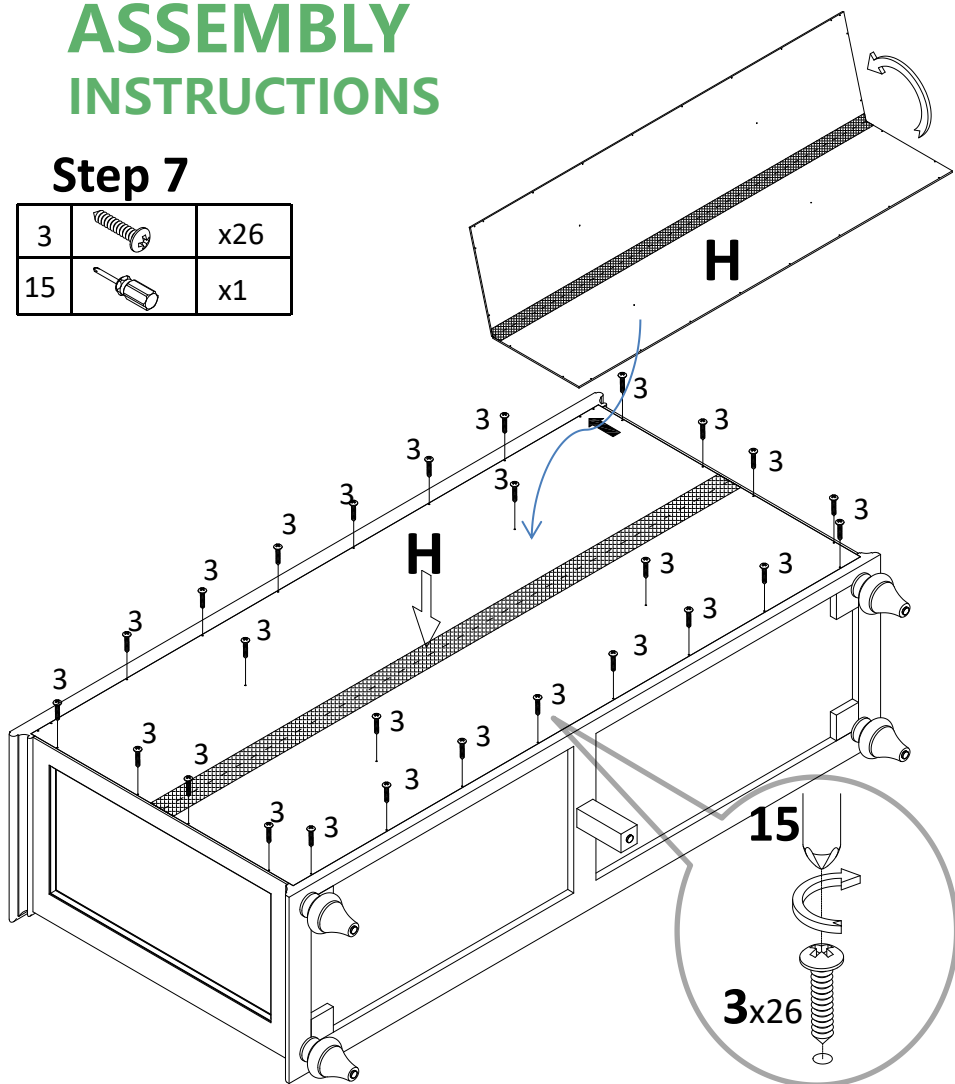


Attach preassembly unit at step 5 to top panel(A) , and tight it with Allen wrench(1).

# ASSEMBLY INSTRUCTIONS

## Step 7

3		x26
15		x1

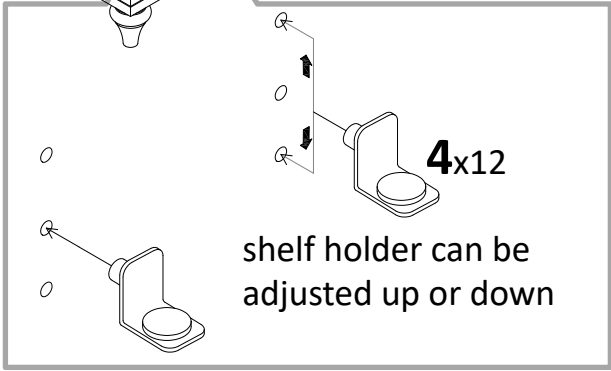
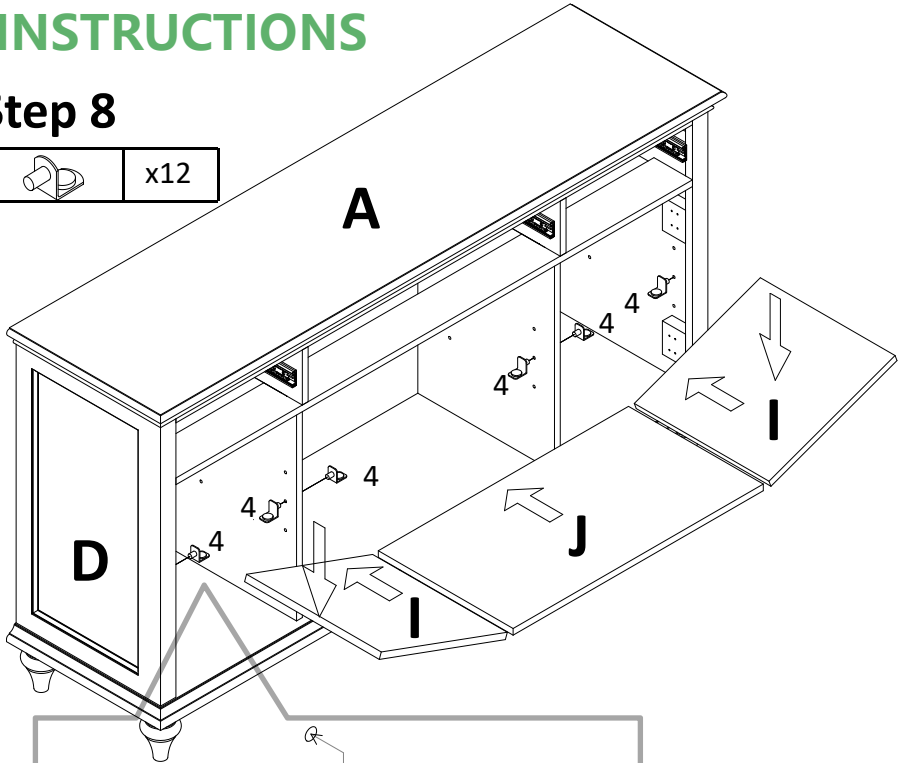


Attach back panel (H) to preassembly unit at step 6 with screw (3), tight screw with screwdriver (15).

# ASSEMBLY INSTRUCTIONS

## Step 8





4		x12
---	---	-----

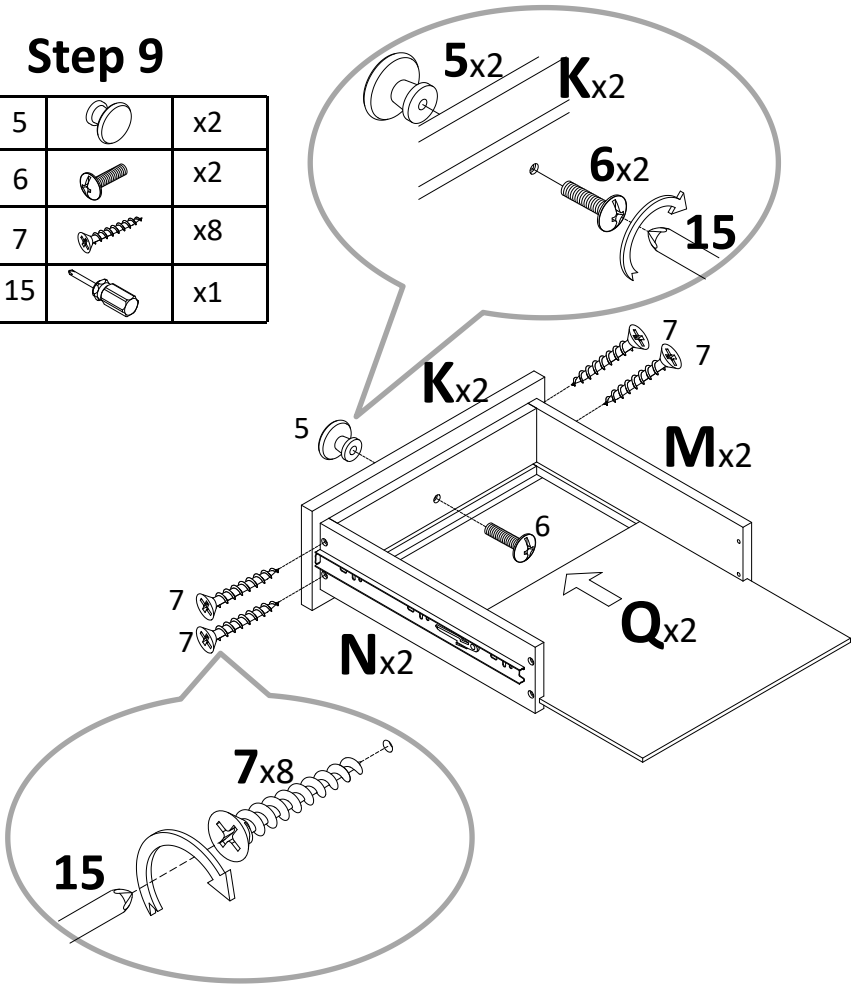


Insert shelf holder (4) to preassemble unit at step 7 , and attach adjustable shelf (I/J) to it.

# ASSEMBLY INSTRUCTIONS

## Step 9

5		x2
6		x2
7		x8
15		x1


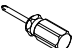


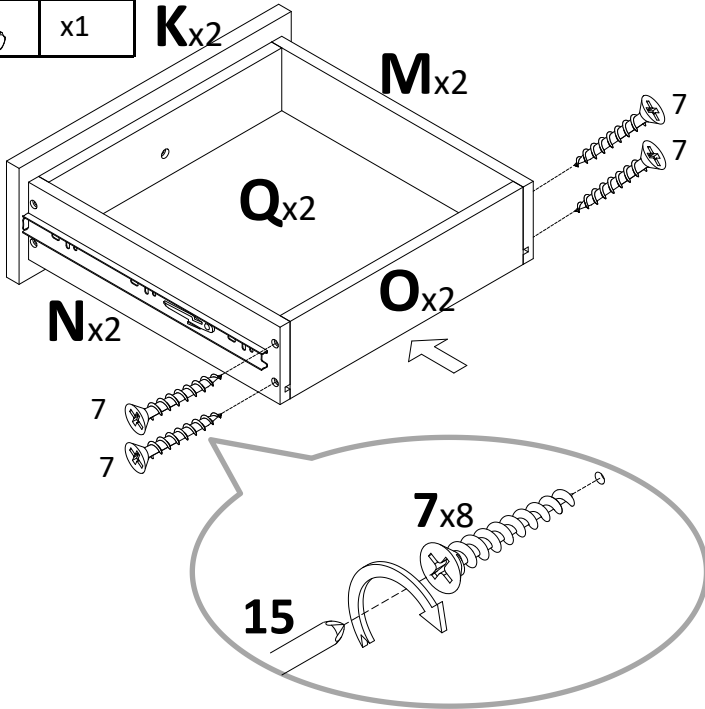
Attach drawer side right(N) and drawer side left(M) to drawer front side (K) with screw(7), tight it with screwdriver(15), slide drawer bottom side (Q) to them. Attach knob(5) to drawer front side(K) with bolt(6). Tight bolt with screwdriver(15).



# ASSEMBLY INSTRUCTIONS

## Step 10


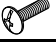
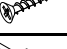

7		x8
15		x1

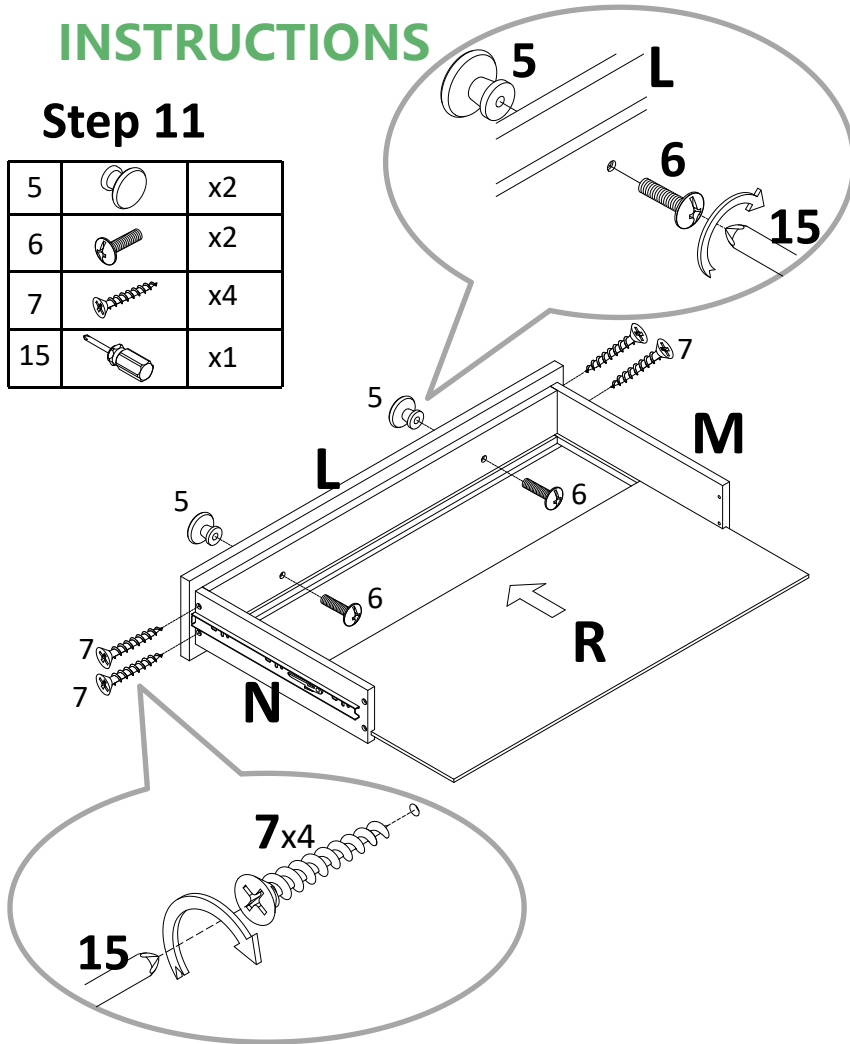


Attach drawer back side(O) to preassemble unit at step 9 with screw(7), tight screw with screwdriver(15).

# ASSEMBLY INSTRUCTIONS

## Step 11


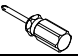
5		x2
6		x2
7		x4
15		x1

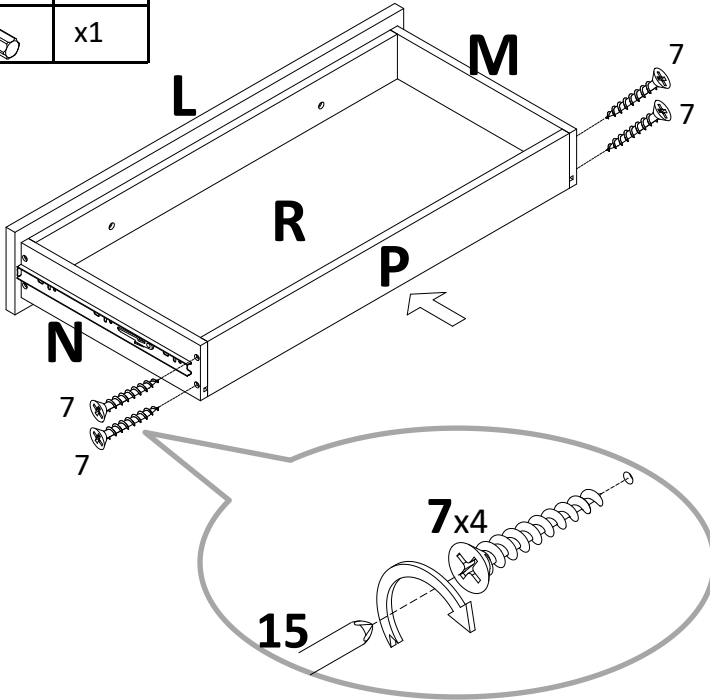


Attach drawer side right(N) and drawer side left(M) to drawer front middle (L) with screw(7), tight it with screwdriver(15), slide drawer bottom middle(R) to them. Attach konb(5) to drawer front middle(L) with bolt(6). Tight bolt with screwdriver(15).

# ASSEMBLY INSTRUCTIONS

## Step 12

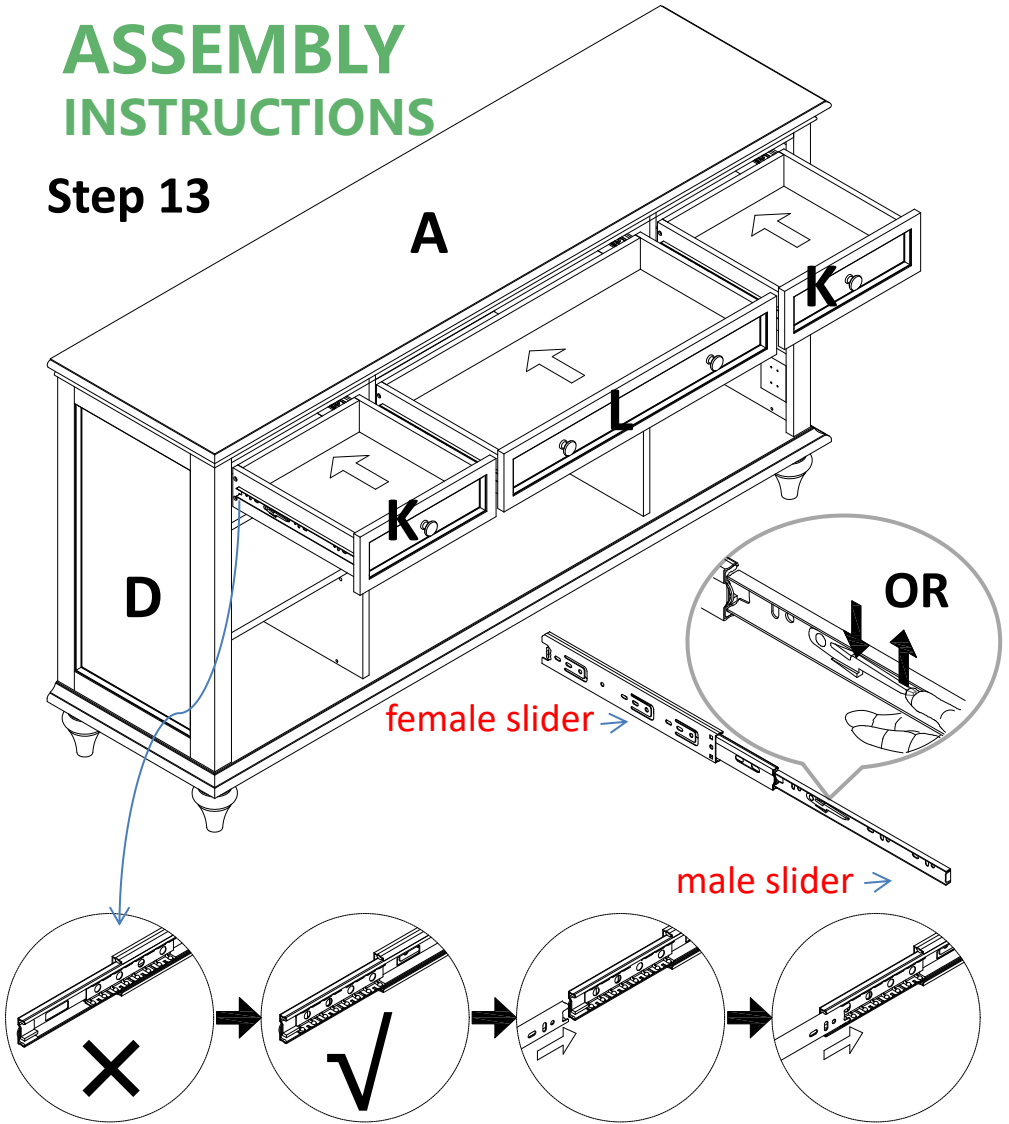
7		x4
15		x1



Attach drawer back middle(P) to preassemble unit at step 11 with screw(7), tight screw with screwdriver(15).

# ASSEMBLY INSTRUCTIONS

## Step 13



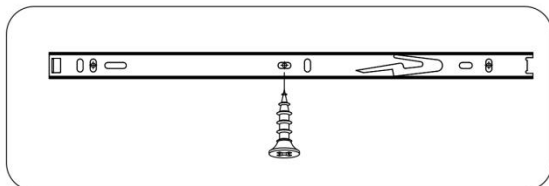
**Make sure to move the ball bearing to front end, carefully align male and female slides before insert drawer box.**

Attach drawer to preassemble unit at step 13.

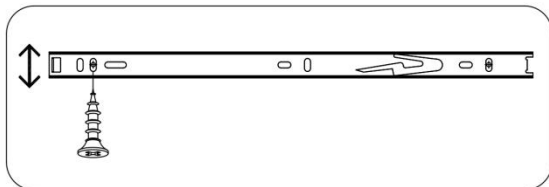
# ASSEMBLY INSTRUCTIONS

## Step 14

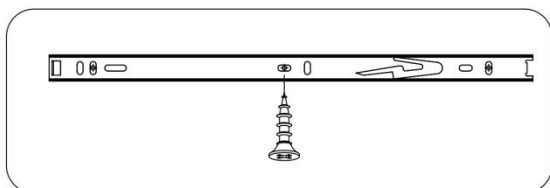
Once the drawer is assembled, if the drawer face does not fit the wood frame, perform the following operations:



1. Loosen the screw by screwdriver.







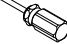
2. Loosen the screw, adjust the screw to the desired position, then tighten it.

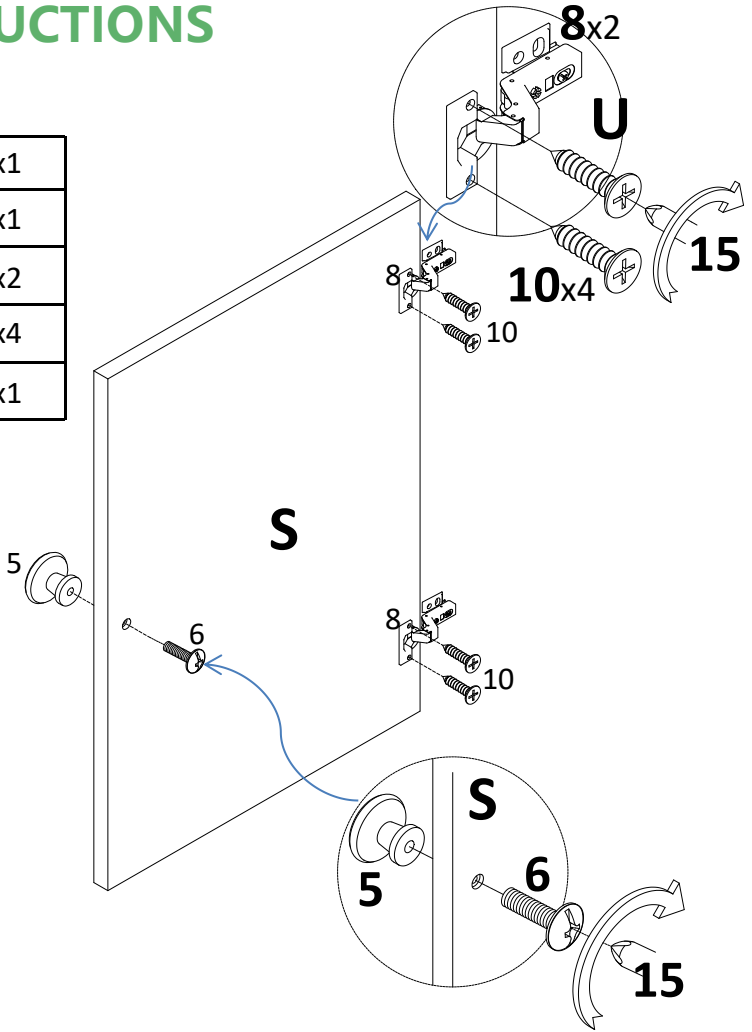


3. Tighten it

# ASSEMBLY INSTRUCTIONS

## Step 15




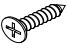
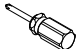
5		x1
6		x1
8		x2
10		x4
15		x1

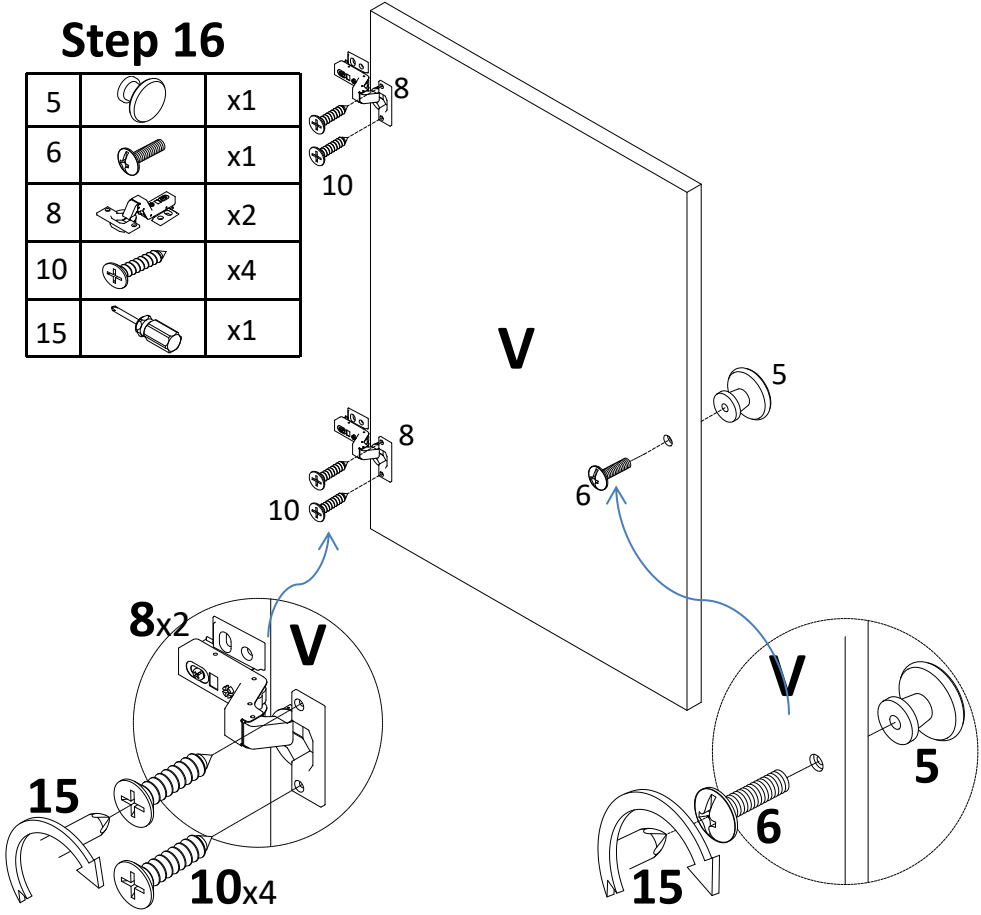


Attach hinge(8) to left door(S) with screw (10). Tight screw with screwdriver(15), attach knob(5) to left door(S) with bolt (6), tight bolt with screwdriver(15)

# ASSEMBLY INSTRUCTIONS

## Step 16





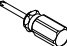
5		x1
6		x1
8		x2
10		x4
15		x1

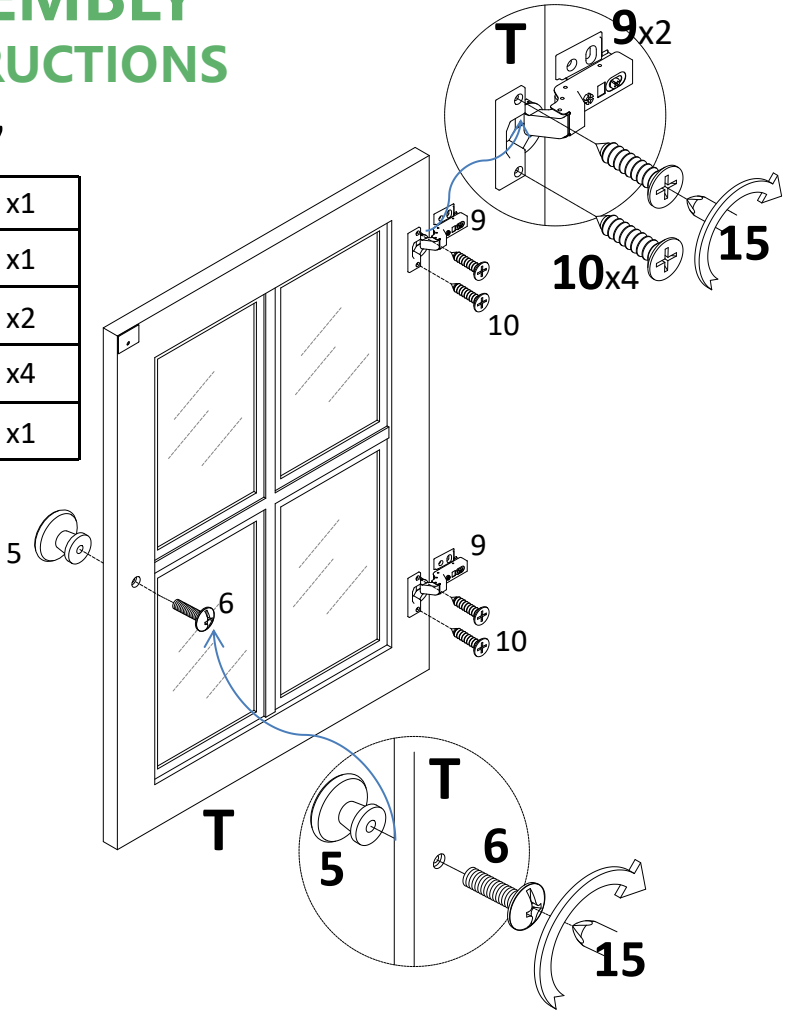


Attach hinge(8) to right door(V) with screw (10). Tight screw with screwdriver(15), attach knob(5) to right door(V) with bolt (6), tight bolt with screwdriver(15)

# ASSEMBLY INSTRUCTIONS

## Step 17

5		x1
6		x1
9		x2
10		x4
15		x1




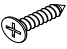
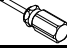


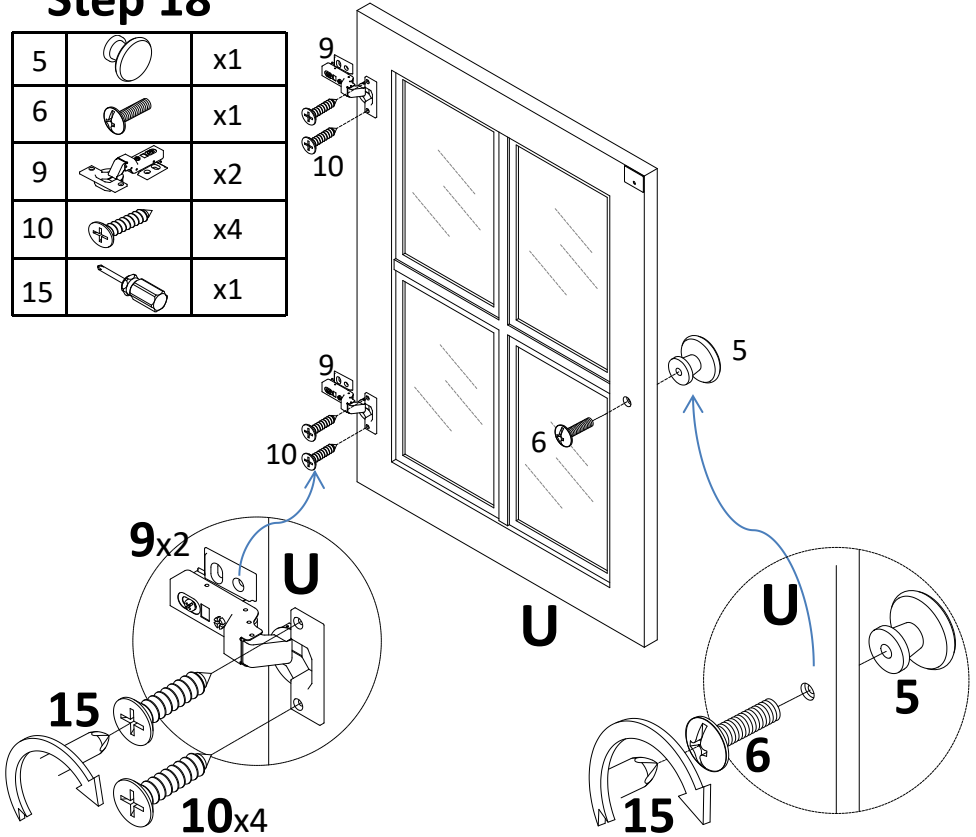
Attach hinge(9) to middle left door(T) with screw (10). Tight screw with screwdriver(15), attach knob(5) to middle left door(T) with bolt (6), tight bolt with screwdriver(15)



# ASSEMBLY INSTRUCTIONS

## Step 18



5		x1
6		x1
9		x2
10		x4
15		x1

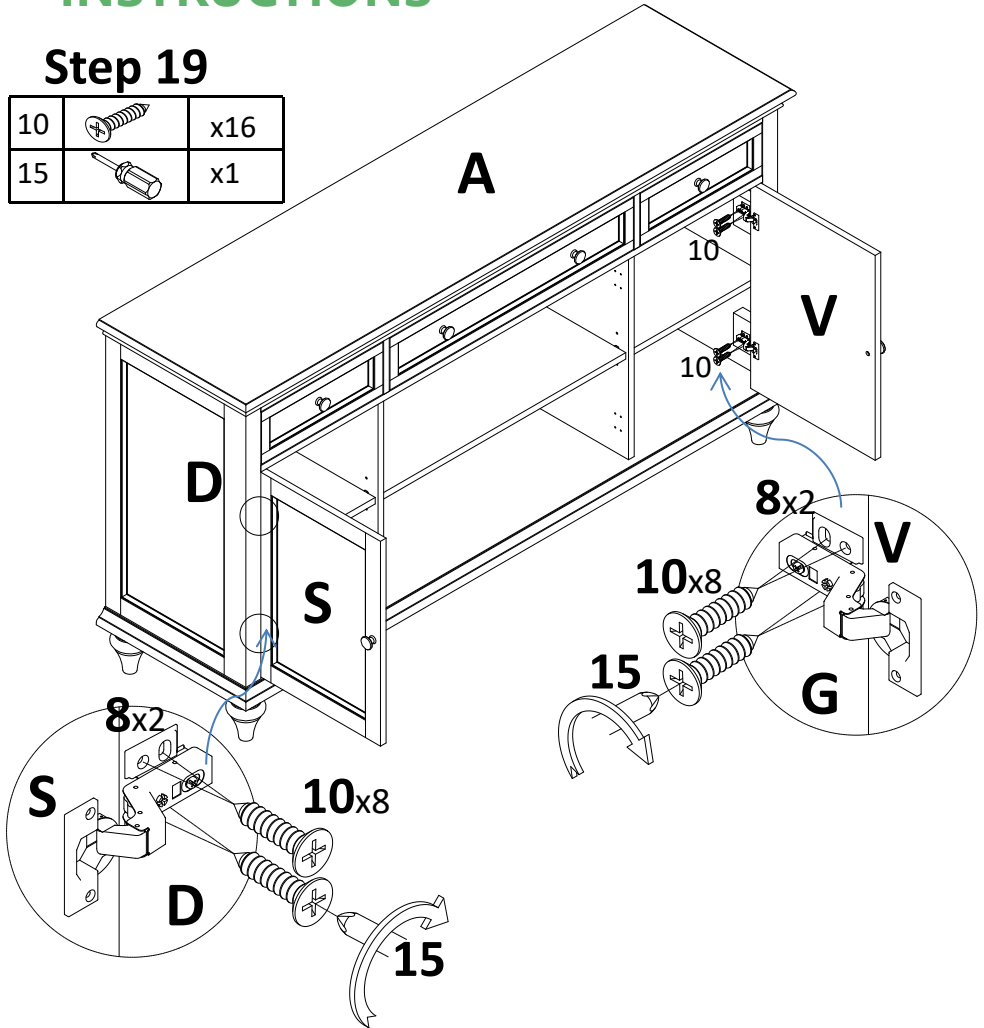


Attach hinge(9) to middle right door(U) with screw (10). Tight screw with screwdriver(15), attach knob(5) to middle right door(U) with bolt (6), tight bolt with screwdriver(15)

# ASSEMBLY INSTRUCTIONS

## Step 19

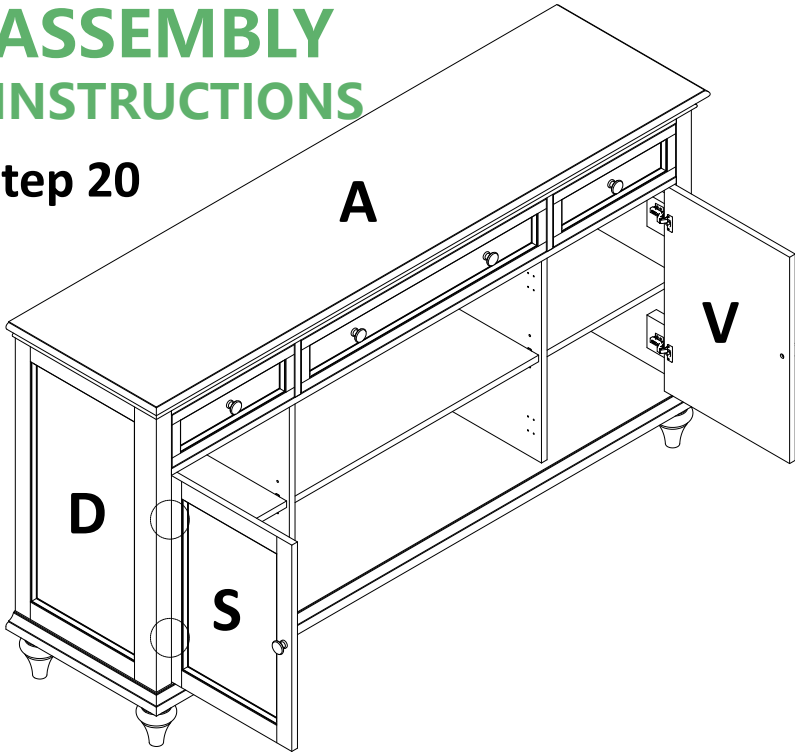
10		x16
15		x1



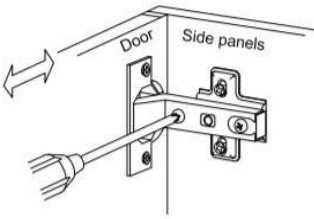
Attach left door(S) and right door(V) to preassemble unit at step 13 with screw(10) , tight screw with screwdriver(15).

# ASSEMBLY INSTRUCTIONS

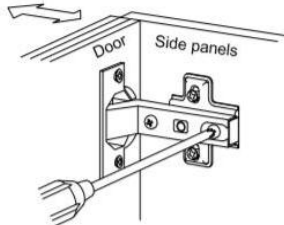
## Step 20



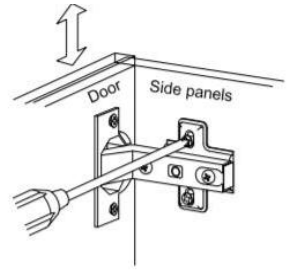
IX. Concealed hinges are three-way adjustable.



Horizontal  
by screw adjustment



In-and-Out  
by loosening the hinge-arm  
mounting screw or via cam  
adjustment





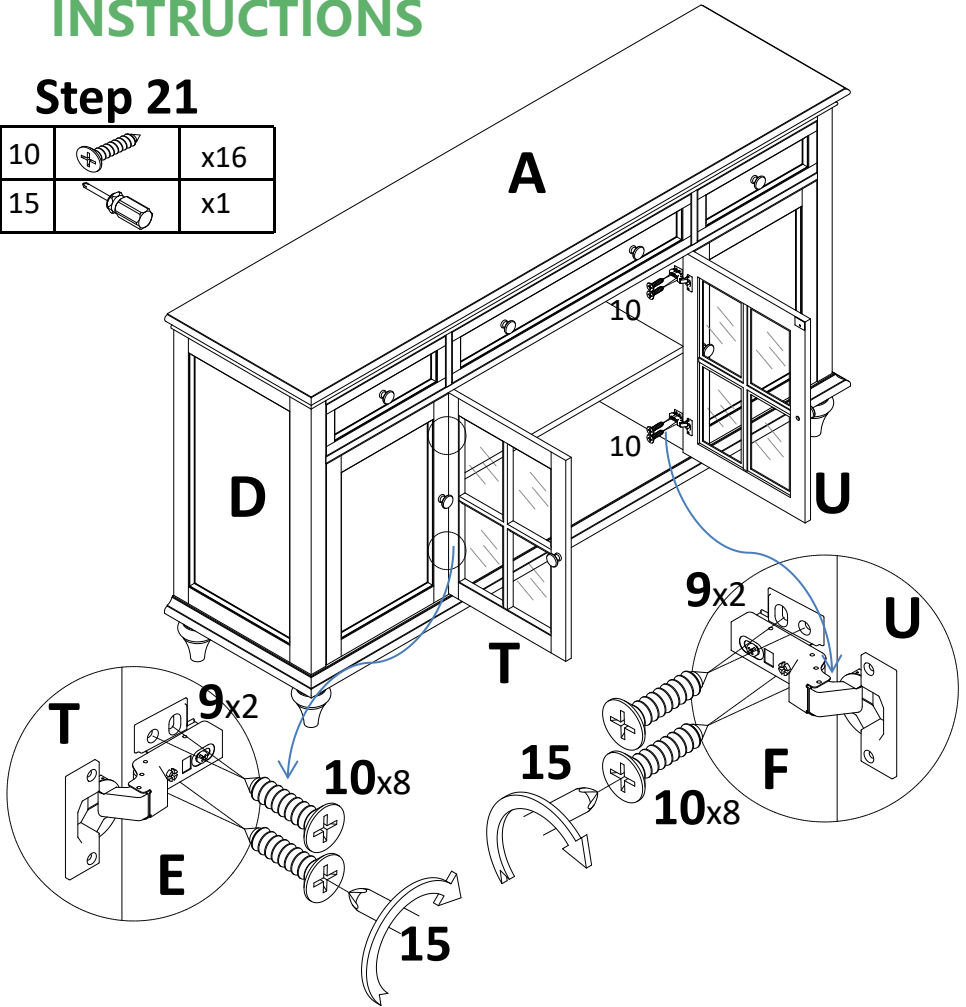
Vertical  
Via slots in the mounting  
plate or via cam adjustment

Close the door , if the doors are not at the desired position , please adjust it as shown.

# ASSEMBLY INSTRUCTIONS

## Step 21

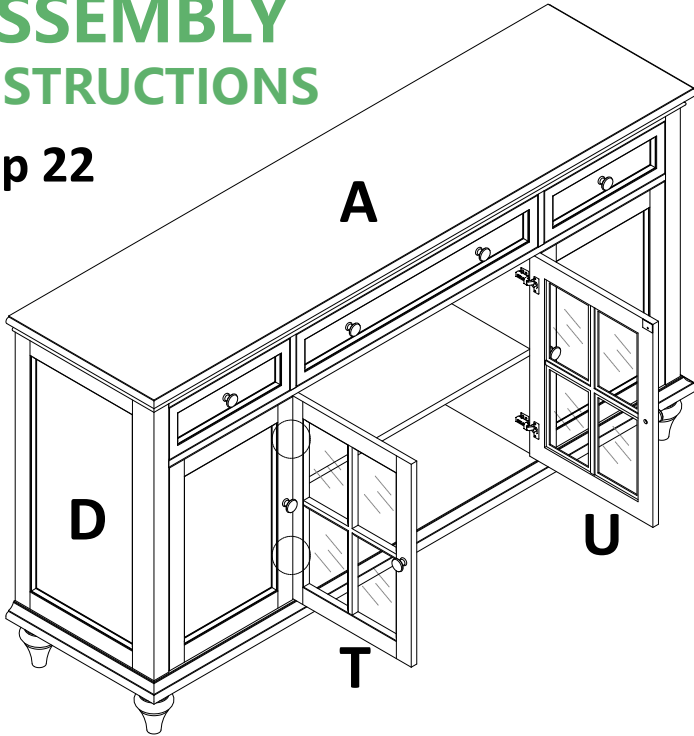
10		x16
15		x1



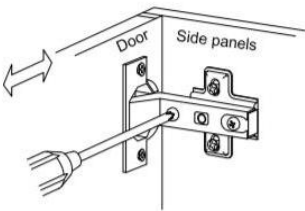
Attach middle left door(T) and middle right door(U) to preassemble unit at step 20 with screw(10) , tight screw with screwdriver(15).

# ASSEMBLY INSTRUCTIONS

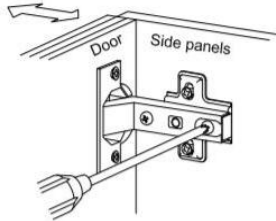
## Step 22



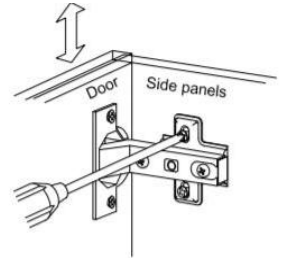
IX. Concealed hinges are three-way adjustable.



Horizontal  
by screw adjustment



In-and-Out  
by loosening the hinge-arm  
mounting screw or via cam  
adjustment






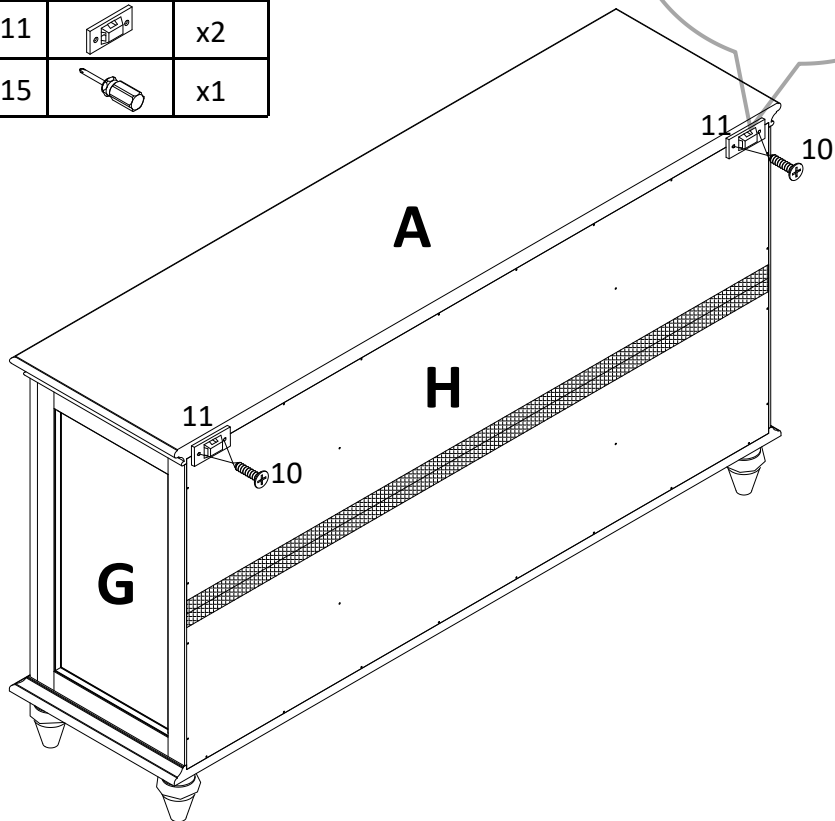
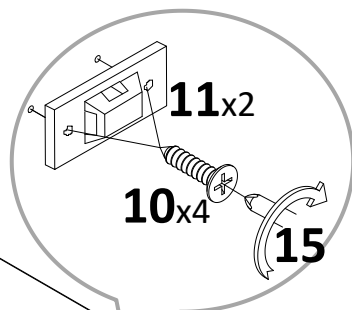
Vertical  
Via slots in the mounting  
plate or via cam adjustment

Close the door , if the doors are not at the desired position , please adjust it as shown.

# ASSEMBLY INSTRUCTIONS

## Step 23



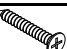

10		x4
11		x2
15		x1

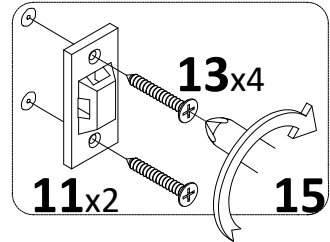
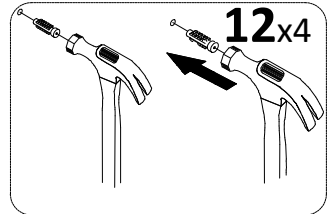
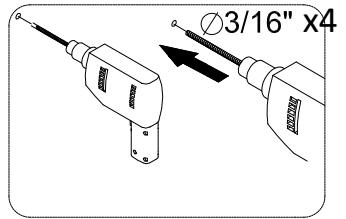
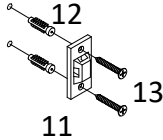
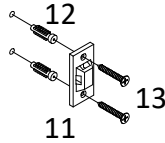
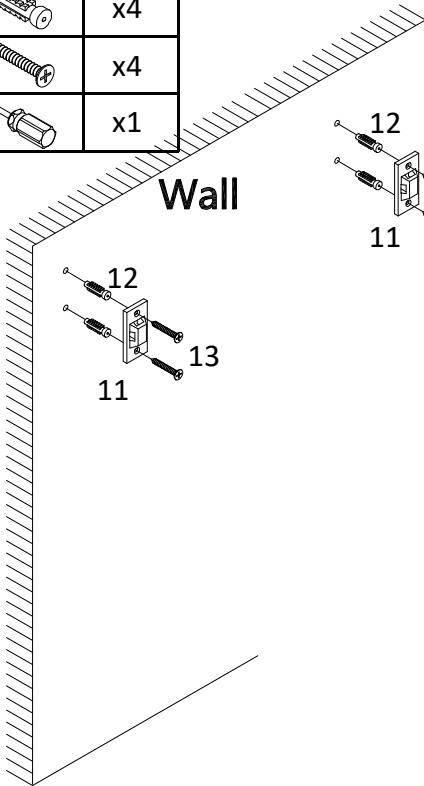


Attach bracket(11) to preassemble unit at step 22 with screw(10), and tight screw with screwdriver(15).

# ASSEMBLY INSTRUCTIONS

## Step 24

11		x2
12		x4
13		x4
15		x1

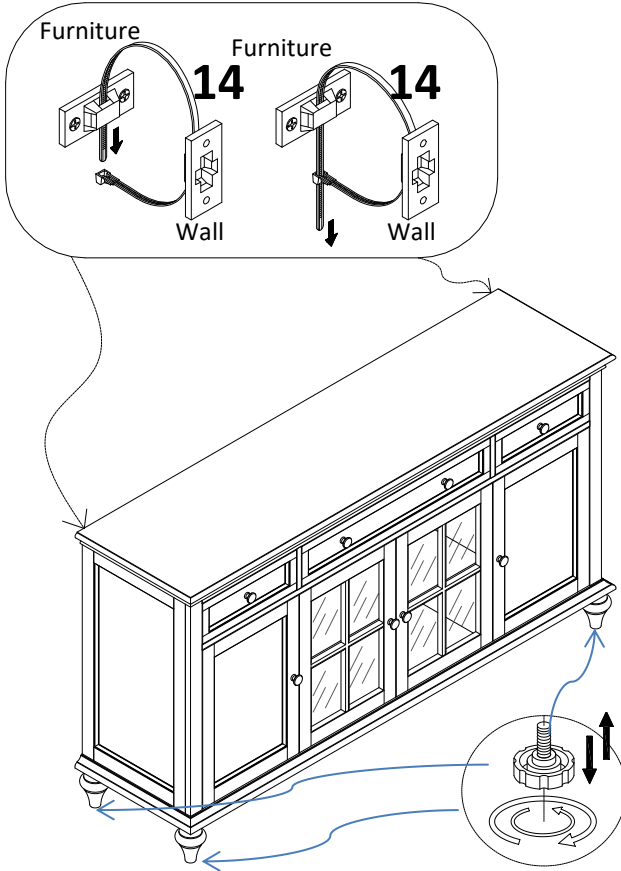


Drill hole on the wall , and insert expansion nut(12) , then attach bracket(11) to it with screw(13), tight screw with screwdriver(15).

# ASSEMBLY INSTRUCTIONS

## Step 25

14		x2
----	---	----



Attach the unit to the wall with plastic bell(14)

Anti-tipping hardware must be used for this product to avoid tipping and injury.

If the unit is not stable , please adjust the adjustable level.



# WARRANTY

We strive to offer high-quality products, and we also try our best to satisfy each and every customer that orders from us with product or service as needed. We provide 30 days warranty starting from the time you receive the item. Each customer must provide a record of their order such as the order number, or item receipt for any items that are out of the warranty period you may also still receive replacement parts by purchasing them with our company if they are available.

**Are you having difficulty  
with assembly? Missing parts?**

**Please send email with your order No to  
[customerservice@hulalahome.com](mailto:customerservice@hulalahome.com)**

**For return, please check the return policy with  
the retailer or market place you bought from.**

**Appreciate your purchasing from us.  
Pop up your life by our furniture piece!**