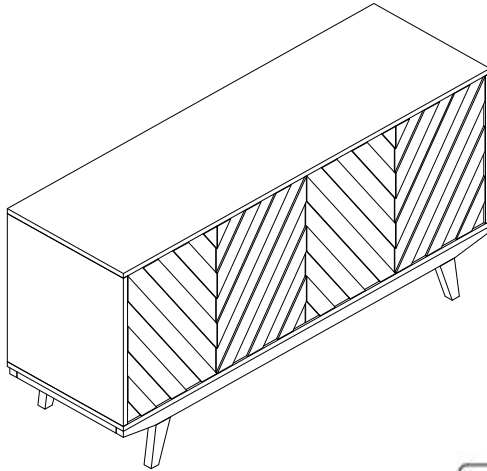


HULALA

H O M E



ITEM NO. SBHM0638



NOTE:

This brochure contains IMPORTANT safety info. Please read and keep for future reference.

MAINTAINANCE

AND WARNING

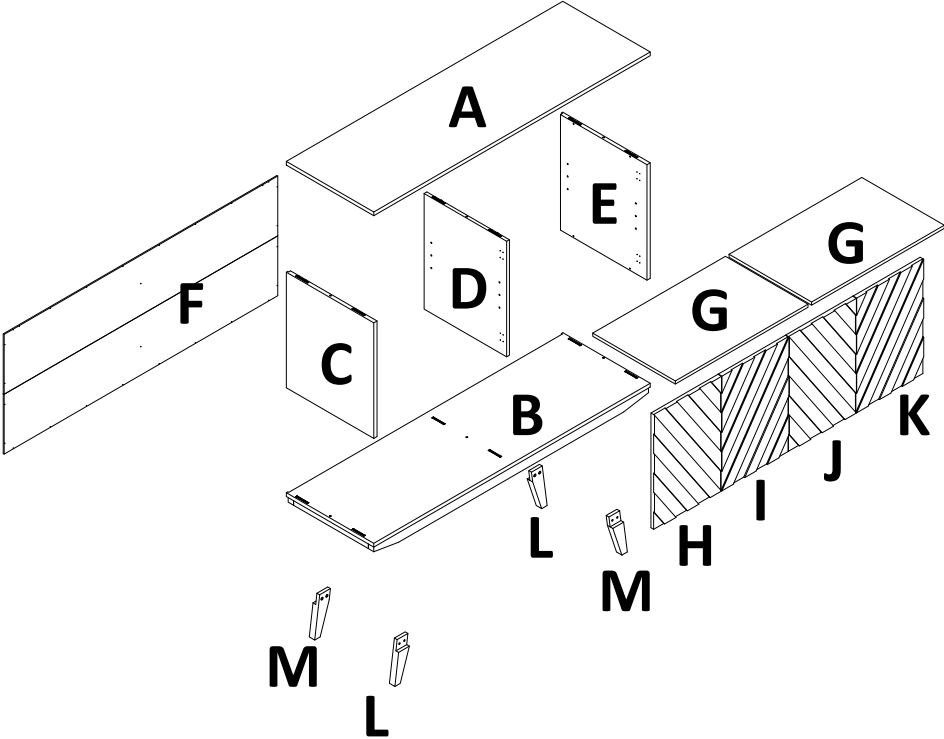
- Keep furniture away from heat.
- Do not clean furniture with harsh cleansers or polish. Do not use detergents, Solvents, abrasives, spray packs or leather cleaner. Use non-color mild soap with warm water clean spills(Mix 1:10 soap to water)
- Do not place furniture under direct sunlight, material will possibly fade over time.
- Do not use on site dry Cleaning machine.
- Children should not climb or jump on the furniture.
- Do not write on furniture without a padded barrier to protect the surface.
- Not for commercial use, For residential use only.



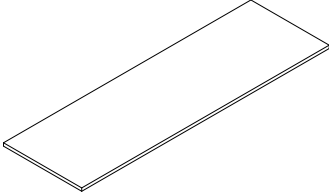
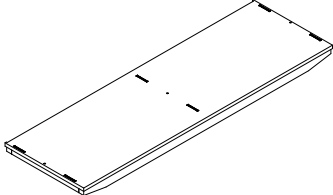
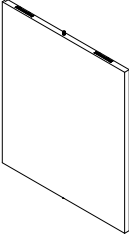
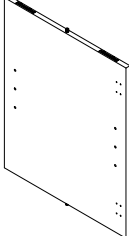
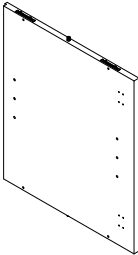
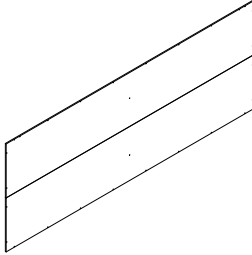
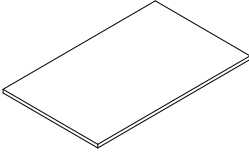
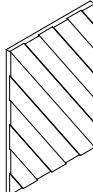
Weight Limitation

150LBS

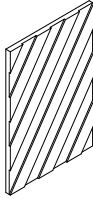
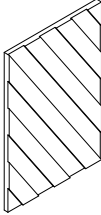
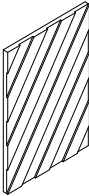
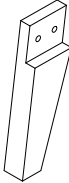
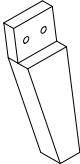
ASSEMBLY INSTRUCTIONS



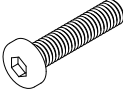


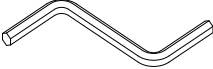
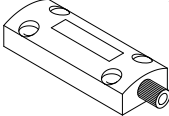
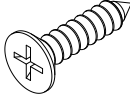

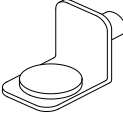
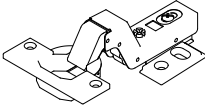
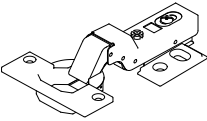
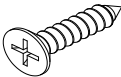
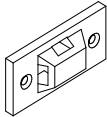
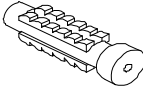
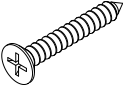

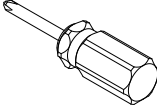
PARTS LIST

<p>A x1</p>  <p>Top Panel</p>	<p>B x1</p>  <p>Bottom panel</p>
<p>C x1</p>  <p>Left side panel</p>	<p>D x1</p>  <p>Middle vertical panel</p>
<p>E x1</p>  <p>Right side panel</p>	<p>F x1</p>  <p>Back panel</p>
<p>G x2</p>  <p>Adjustable shelf</p>	<p>H x1</p>  <p>Left door</p>


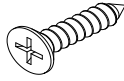
PARTS LIST

<p>I</p>  <p>x1</p> <p>Middle left door</p>	<p>J</p>  <p>x1</p> <p>Middle right door</p>
<p>K</p>  <p>x1</p> <p>Right door</p>	<p>L</p>  <p>x2</p> <p>Leg</p>
<p>M</p>  <p>x2</p> <p>Leg</p>	

HARDWARE LIST

<p>1  x8</p> <p>Bolt ø1/4"x1-1/4"L</p>	<p>2  x8</p> <p>Flat washer</p>	<p>3  x8</p> <p>Spring Washer</p>
<p>4  x1</p> <p>Allen wrench</p>	<p>5  x4</p> <p>Doorstop</p>	<p>6  x16</p> <p>Screw ø1/8"x3/4"L</p>
<p>7  x24</p> <p>Screw ø3x15mm</p>	<p>8  x8</p> <p>Shelf holder</p>	<p>9  x4</p> <p>Hinge</p>
<p>10  x4</p> <p>Hinge</p>	<p>11  x52</p> <p>Screw ø3x15mm</p>	<p>12  x4</p> <p>Bracket</p>
<p>13  x4</p> <p>Expansion nut</p>	<p>14  x4</p> <p>Screw ø7x35mm</p>	<p>15  x2</p> <p>Plastic belt</p>
<p>16  x1</p> <p>Screwdriver</p>		

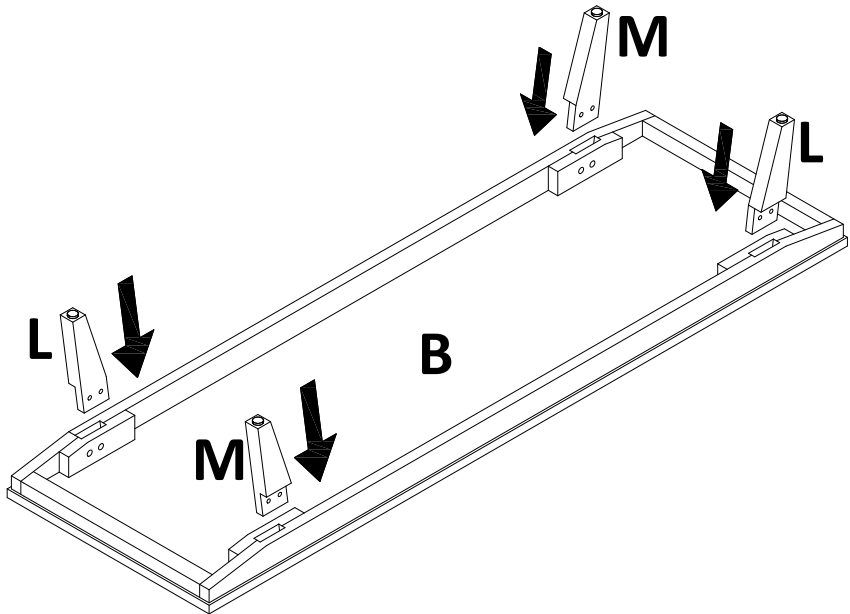
SPARE

7  Screw ø3x15mm	x2 11  Screw ø3x15mm	
--	---	--

Be sure to check all packing material carefully for small parts, which may have come loose inside the carton during shipment.

ASSEMBLY INSTRUCTIONS





Step 1

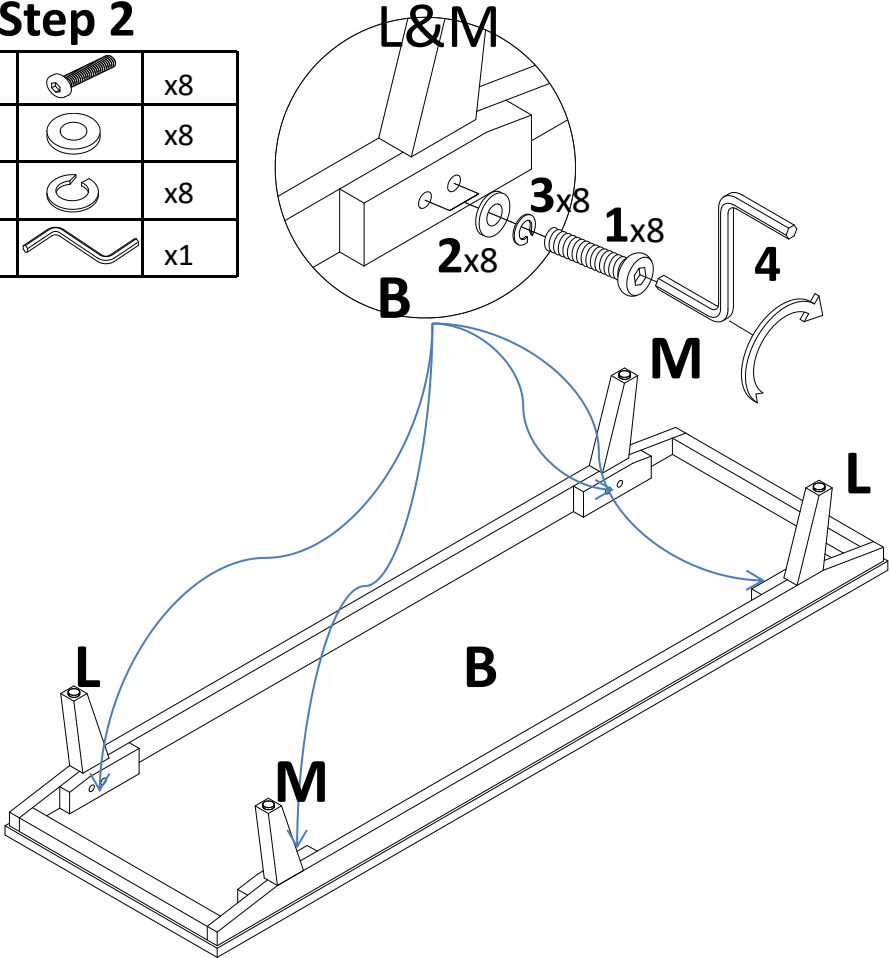


Insert leg(L/M) to bottom panel(B).

ASSEMBLY INSTRUCTIONS

Step 2

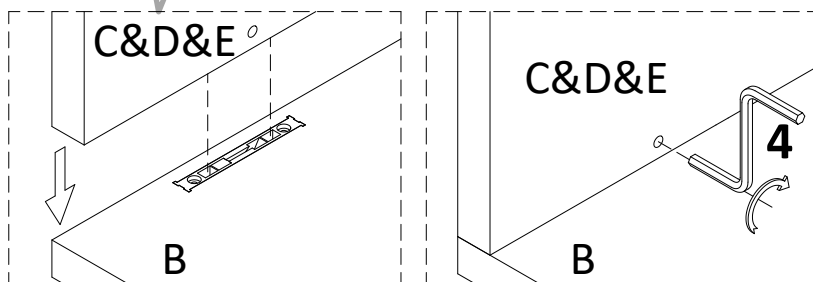
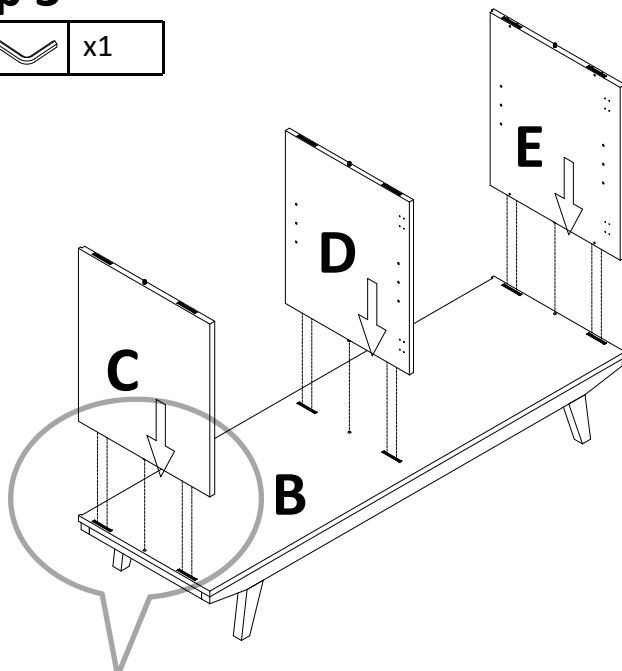
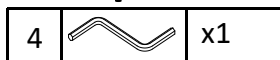
1		x8
2		x8
3		x8
4		x1



Attach leg(L/M) to bottom panel(B) with bolt(1) ,flat washer(2) and spring washer(3), tight it with Allen wrench(4).

ASSEMBLY INSTRUCTIONS



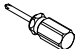
Step 3

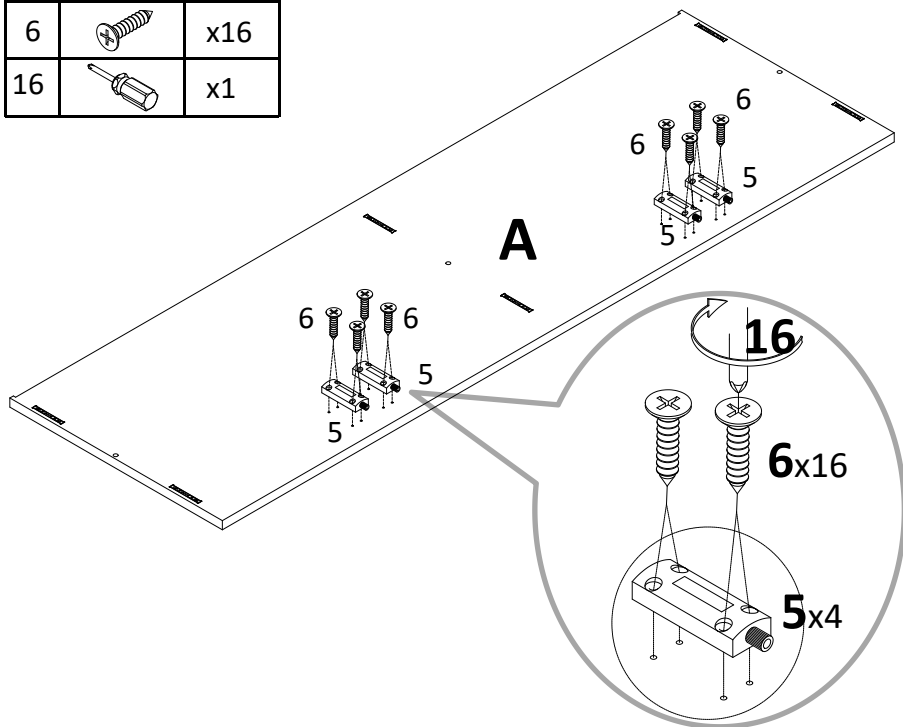


Attach left side panel(C), middle vertical panel(D) and right side panel(E) to bottom panel(B), and tight it with Allen wrench(4).

ASSEMBLY INSTRUCTIONS

Step 4

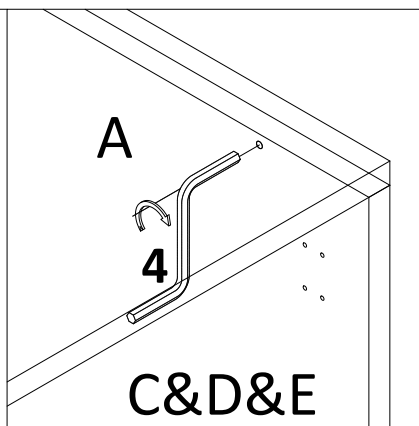
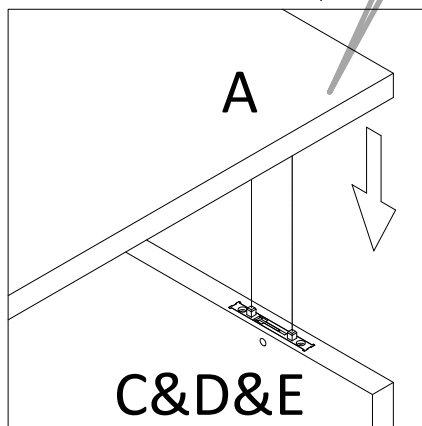
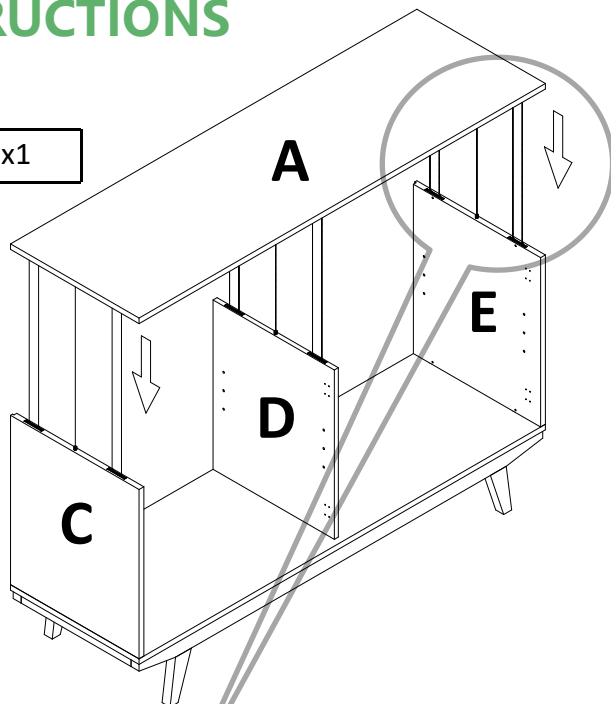
5		x4
6		x16
16		x1



Attach head rebounder(5) to top panel(A) with screw(6) , tight it with screwdriver(16).

ASSEMBLY INSTRUCTIONS


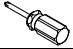
Step 5

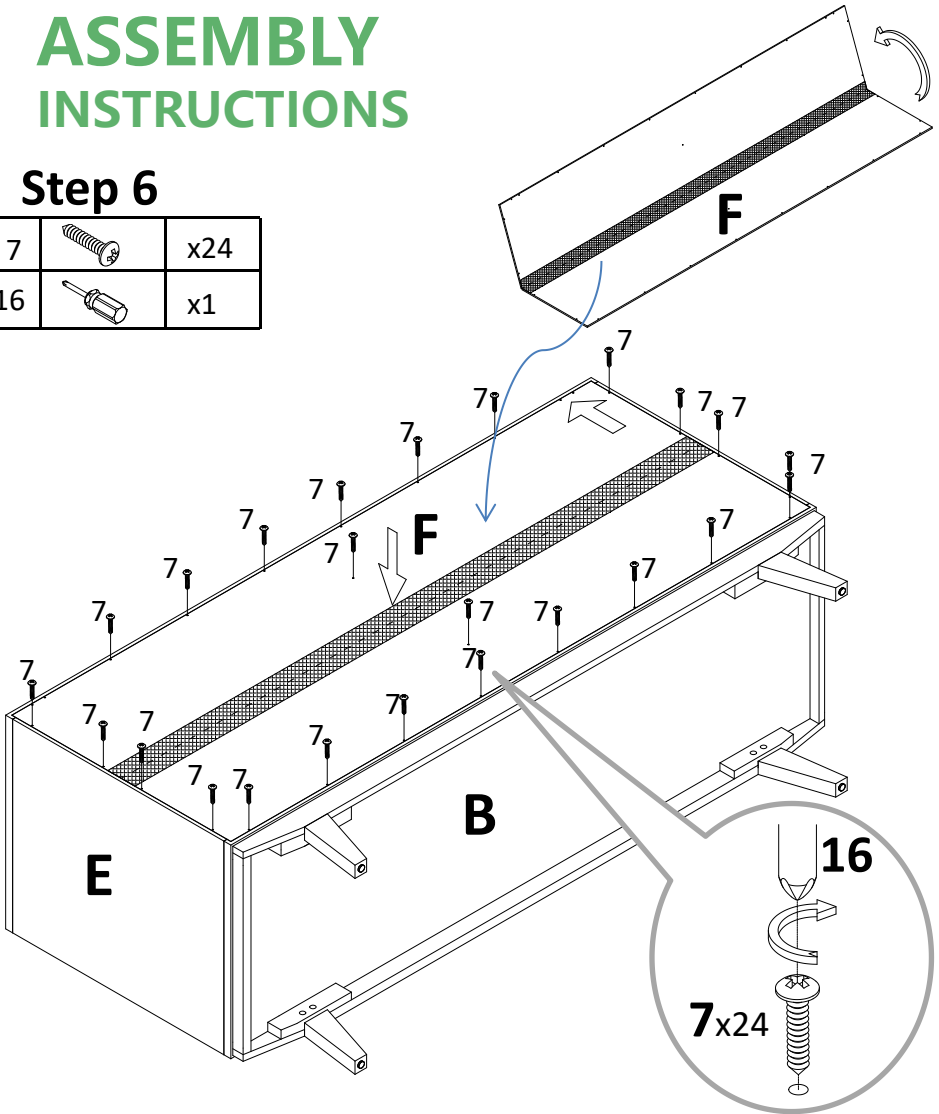


Attach preassembly unit at step 4 to top panel(A) , and tight it with Allen wrench(4).

ASSEMBLY INSTRUCTIONS

Step 6

7		x24
16		x1

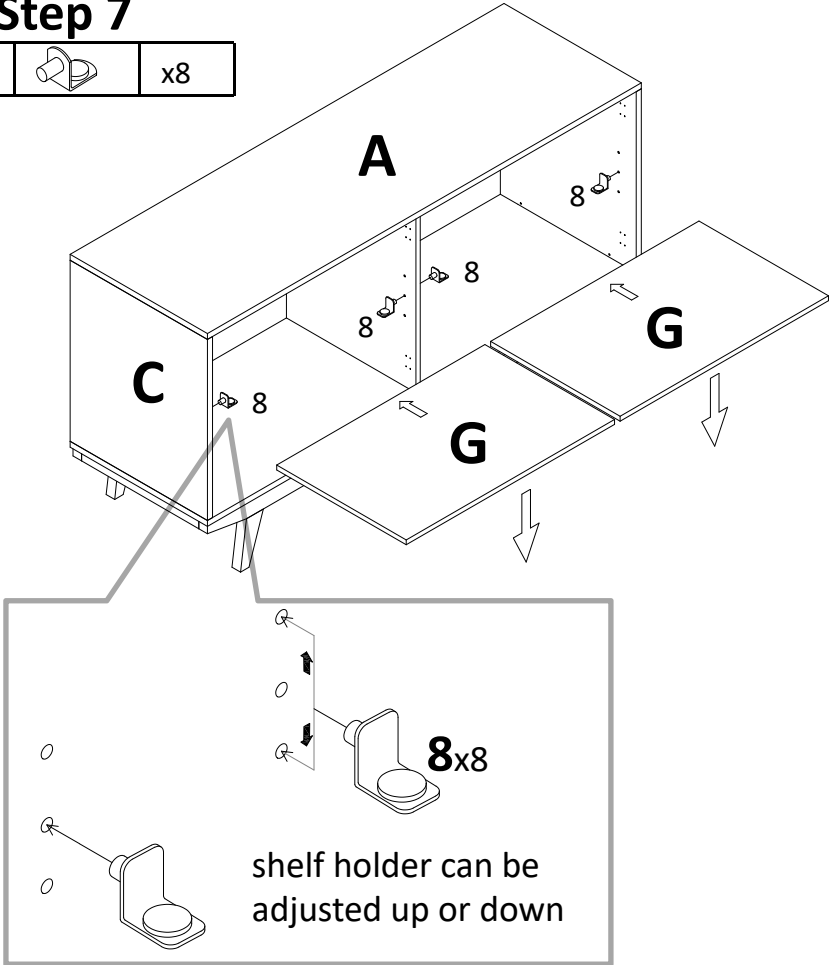


Attach back panel (F) to the unit preassembly unit at step 5 with screw (7), tight screw with screwdriver (16).

ASSEMBLY INSTRUCTIONS

Step 7



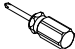
8		x8
---	---	----

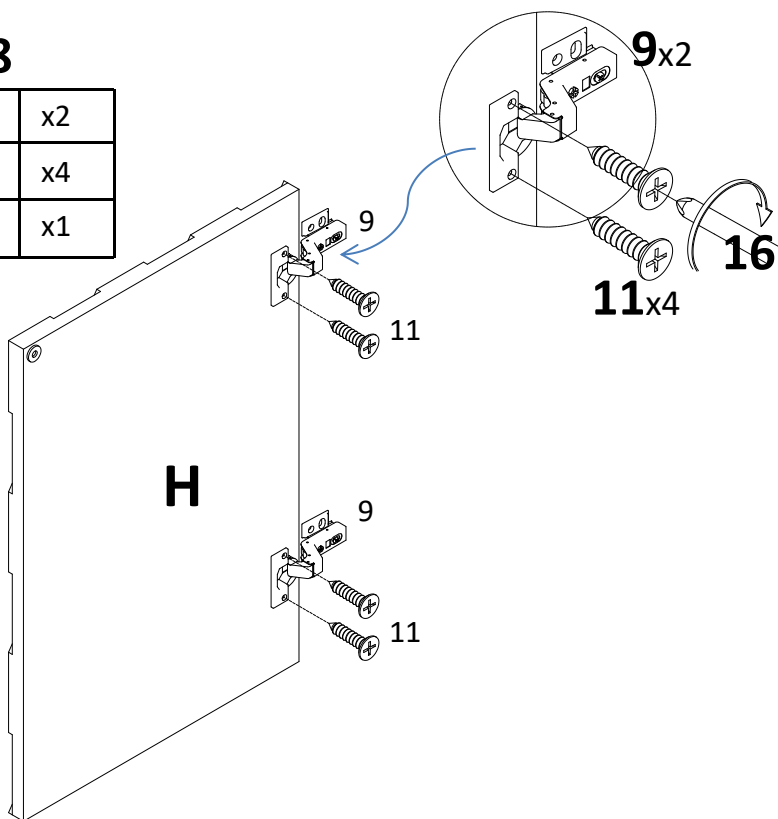


Insert shelf holder (8) to preassemble unit at step 6 , and attach adjustable shelf (G) to it.

ASSEMBLY INSTRUCTIONS

Step 8


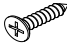
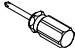
9		x2
11		x4
16		x1

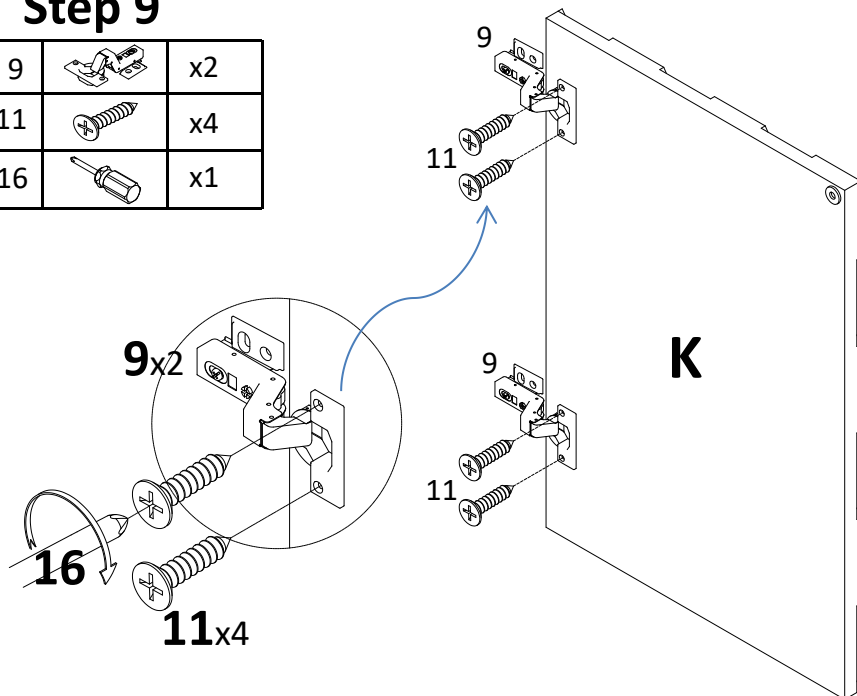


Attach hinge(9) to left door(H) with screw (11). Tight screw with screwdriver(16).

ASSEMBLY INSTRUCTIONS

Step 9



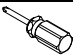
9		x2
11		x4
16		x1

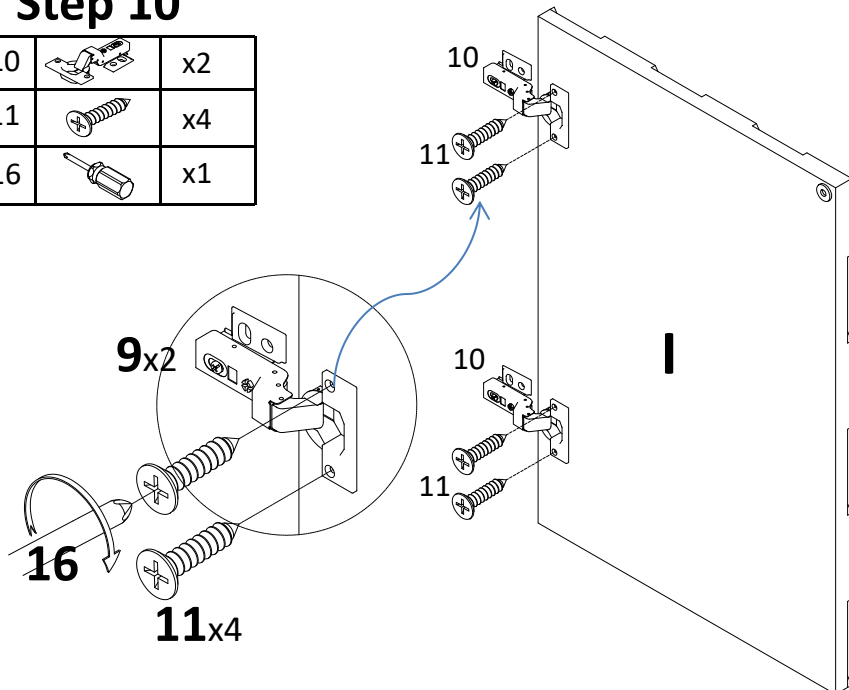


Attach hinge(9) to right door(K) with screw (11). Tight screw with screwdriver(16).

ASSEMBLY INSTRUCTIONS

Step 10



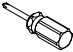
10		x2
11		x4
16		x1

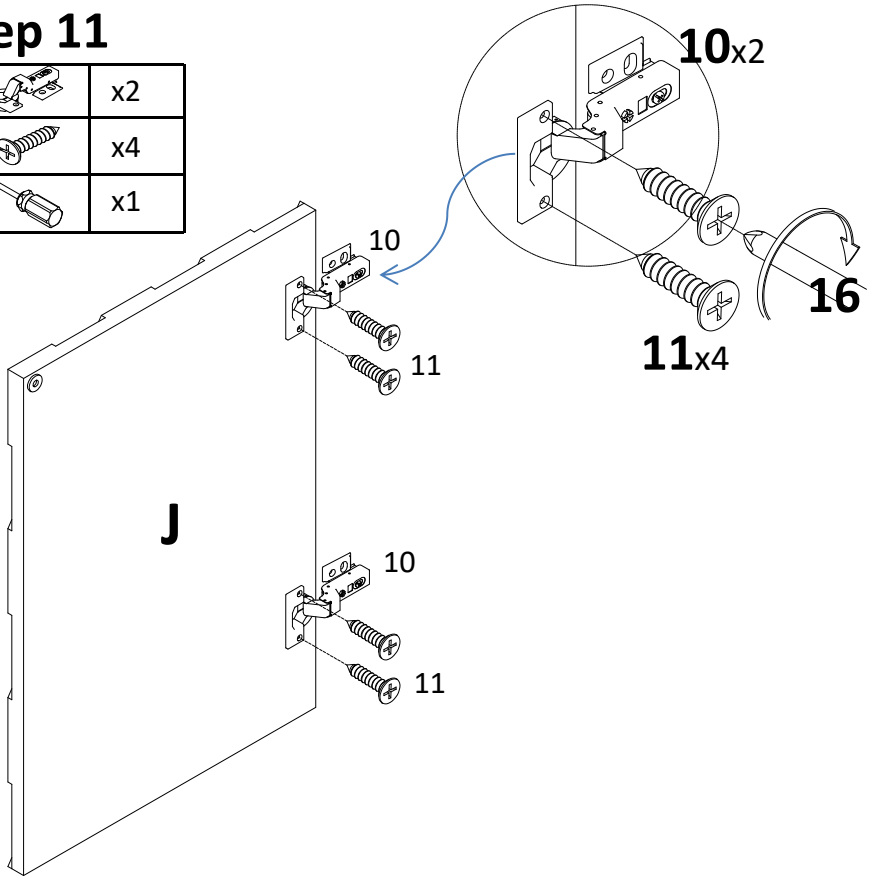


Attach hinge(10) to middle left door(I) with screw (11). Tight screw with screwdriver(16).

ASSEMBLY INSTRUCTIONS

Step 11



10		x2
11		x4
16		x1

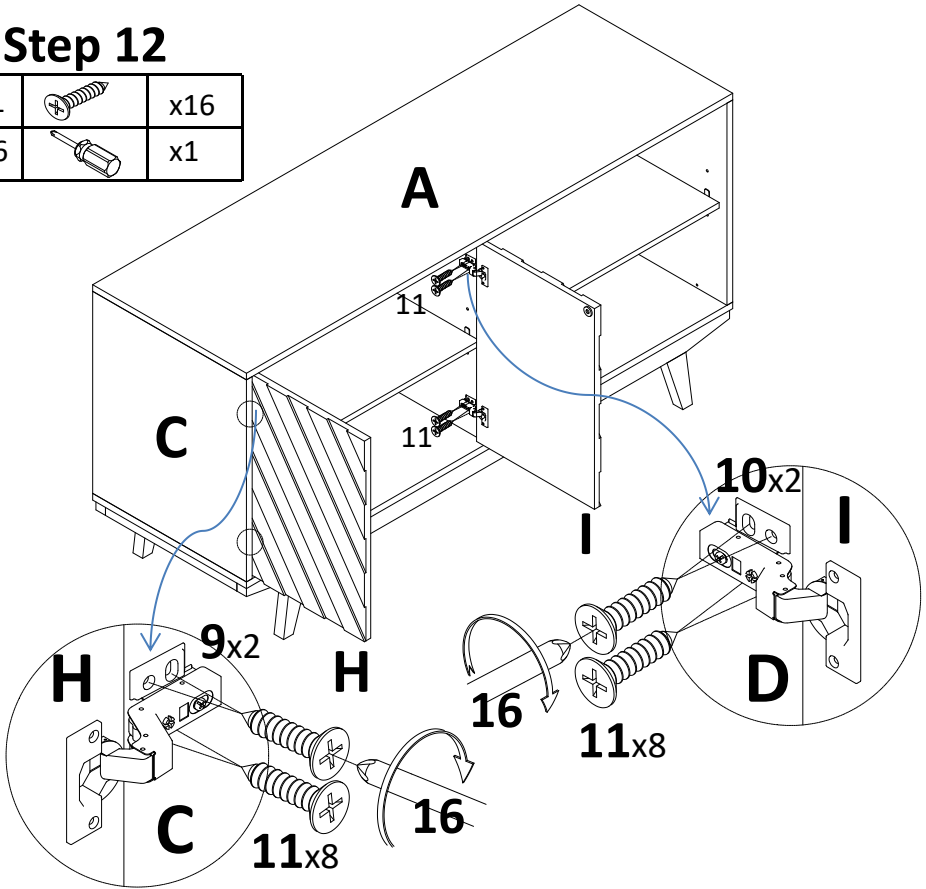


Attach hinge(10) to middle right door(J) with screw (11). Tight screw with screwdriver(16).

ASSEMBLY INSTRUCTIONS

Step 12

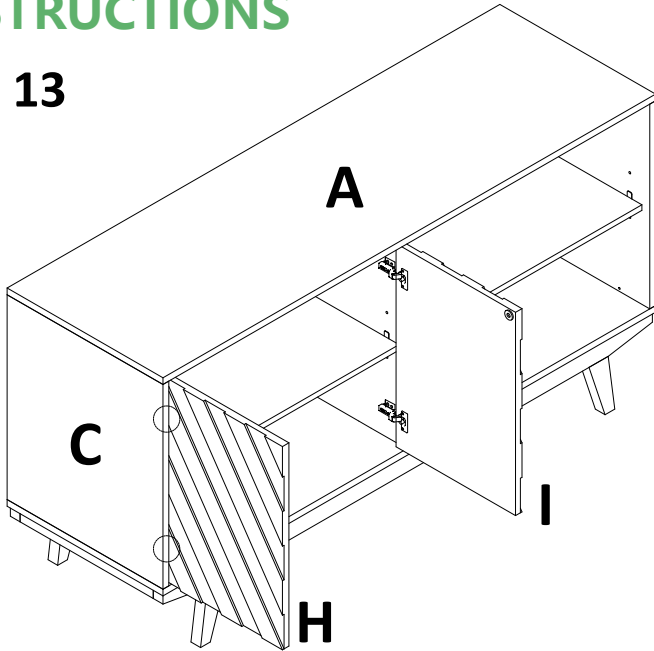
11		x16
16		x1



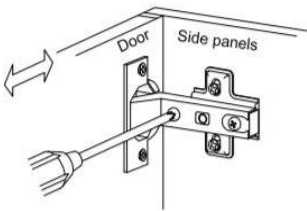
Attach left door(H) and middle left door(I) to preassemble unit at step 7 with screw(11) , tight screw with screwdriver(16).

ASSEMBLY INSTRUCTIONS

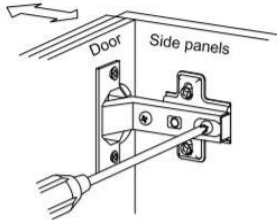
Step 13



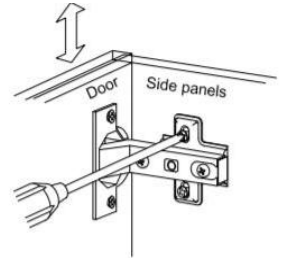
IX. Concealed hinges are three-way adjustable.



Horizontal
by screw adjustment



In-and-Out
by loosening the hinge-arm
mounting screw or via cam
adjustment

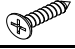
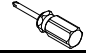


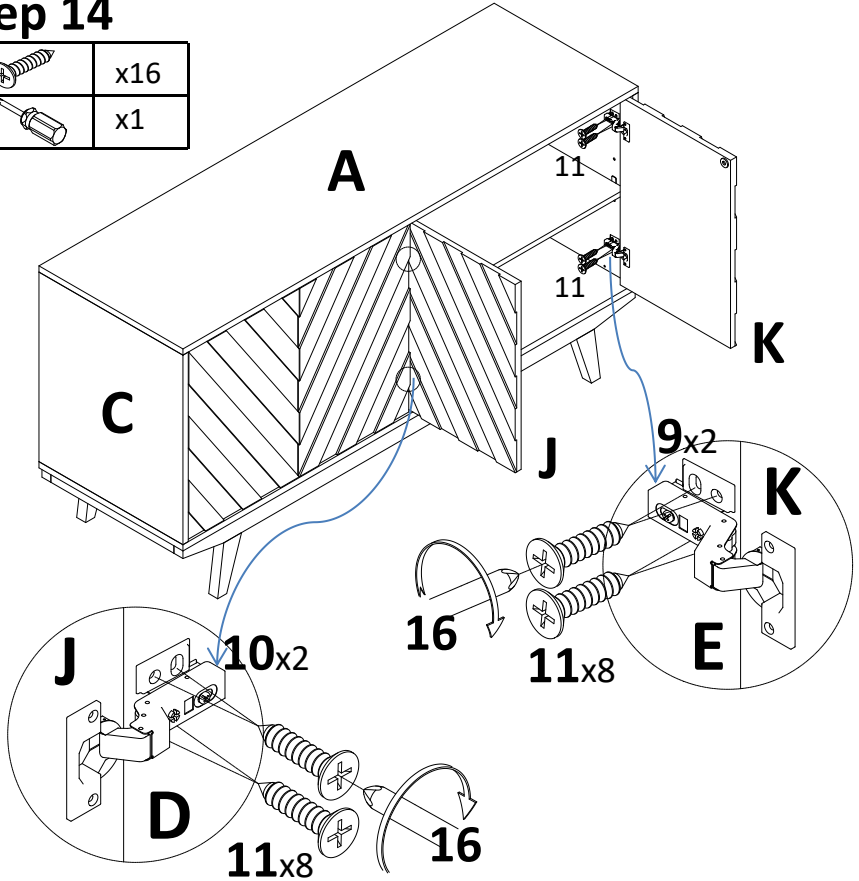
Vertical
Via slots in the mounting
plate or via cam adjustment

Close the door , if the doors are not at the desired position , please adjust it as shown.

ASSEMBLY INSTRUCTIONS

Step 14

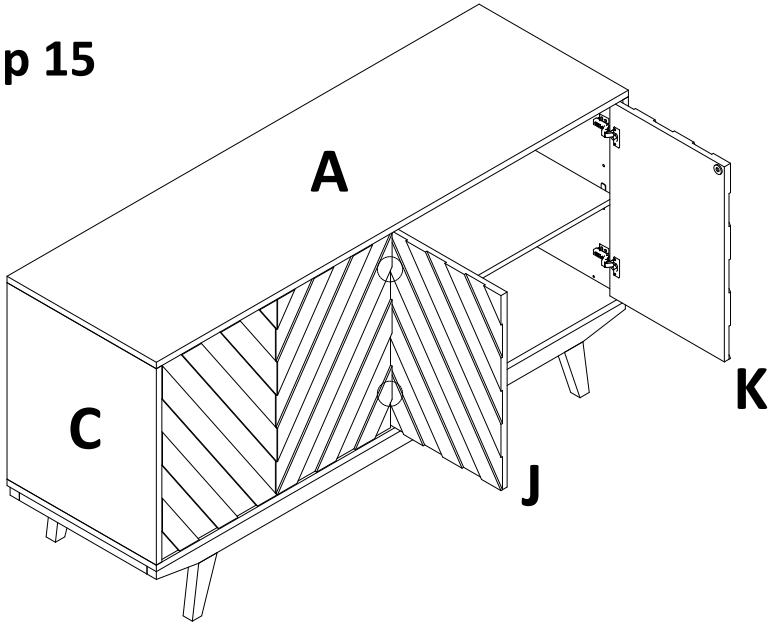
11		x16
16		x1



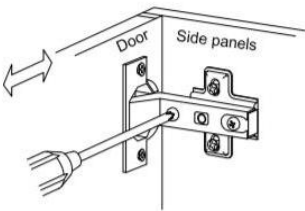
Attach middle right door(J) and right door(K) to preassemble unit at step 13 with screw(11) , tight screw with screwdriver(16).

ASSEMBLY INSTRUCTIONS

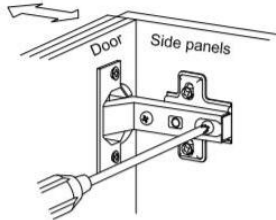
Step 15



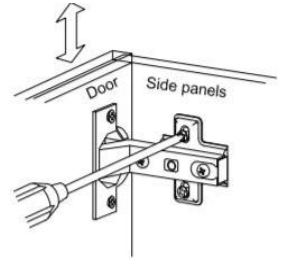
IX. Concealed hinges are three-way adjustable.



Horizontal
by screw adjustment



In-and-Out
by loosening the hinge-arm
mounting screw or via cam
adjustment






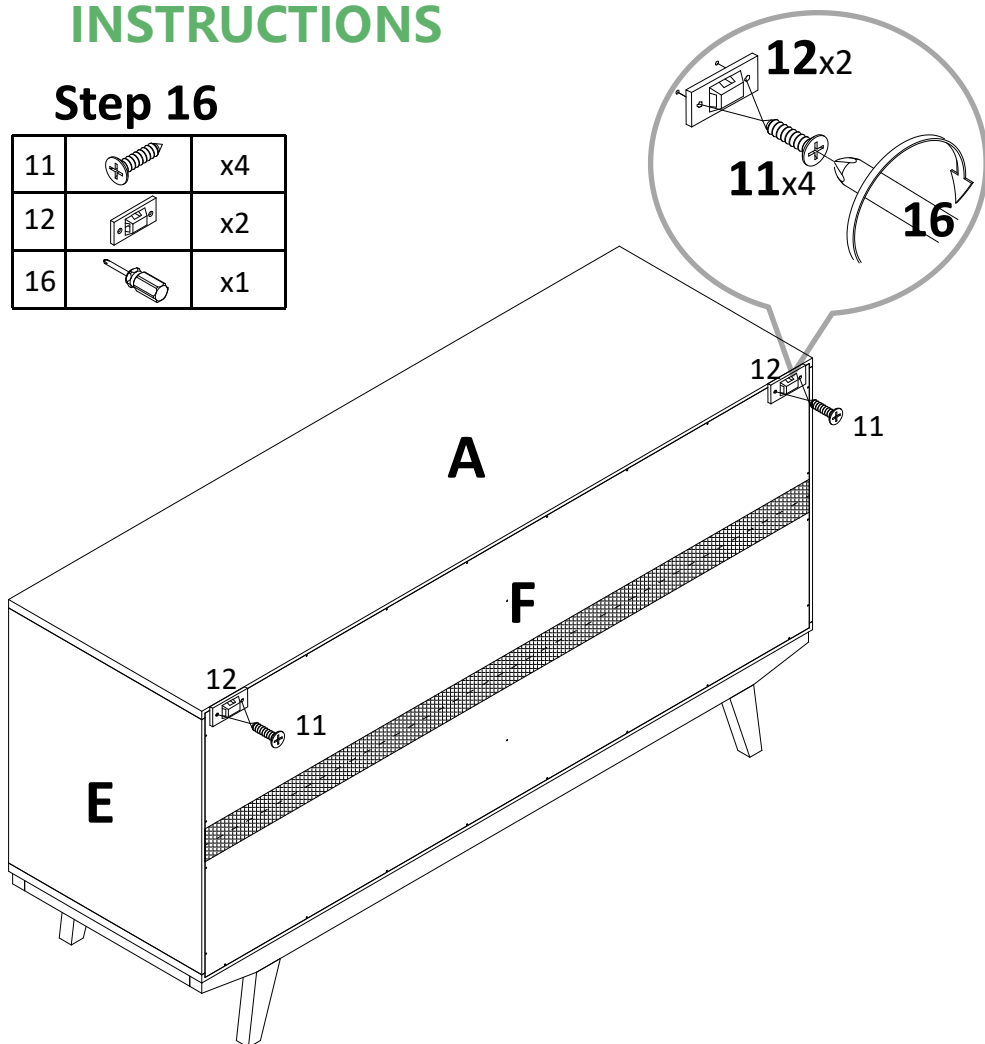
Vertical
Via slots in the mounting
plate or via cam adjustment

Close the door , if the doors are not at the desired position , please adjust it as shown.

ASSEMBLY INSTRUCTIONS

Step 16





11		x4
12		x2
16		x1

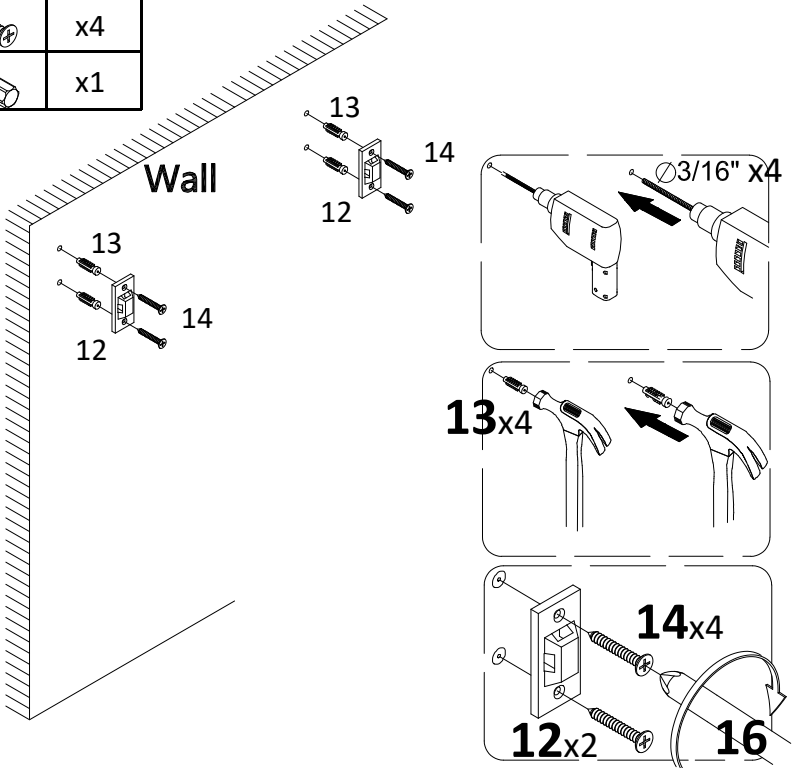


Attach bracket(12) to preassemble unit at step 15 with screw(11) , tight screw with screwdriver(16).

ASSEMBLY INSTRUCTIONS

Step 17

12		x2
13		x4
14		x4
16		x1

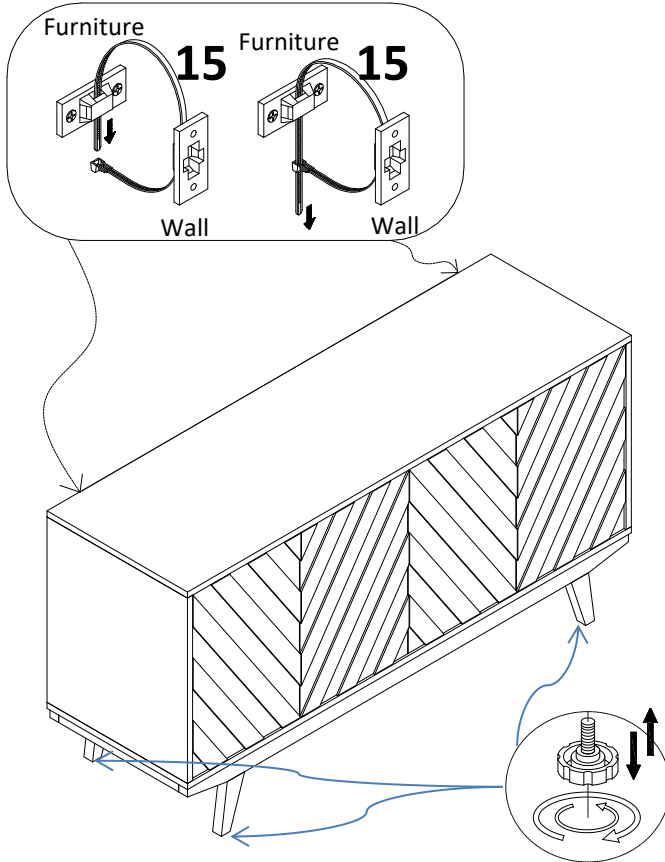


Drill hole on the wall , and insert expansion nut(13) , then attach bracket(12) to it with screw(14), tight screw with screwdriver(16).

ASSEMBLY INSTRUCTIONS

Step 18

15		x2
----	---	----



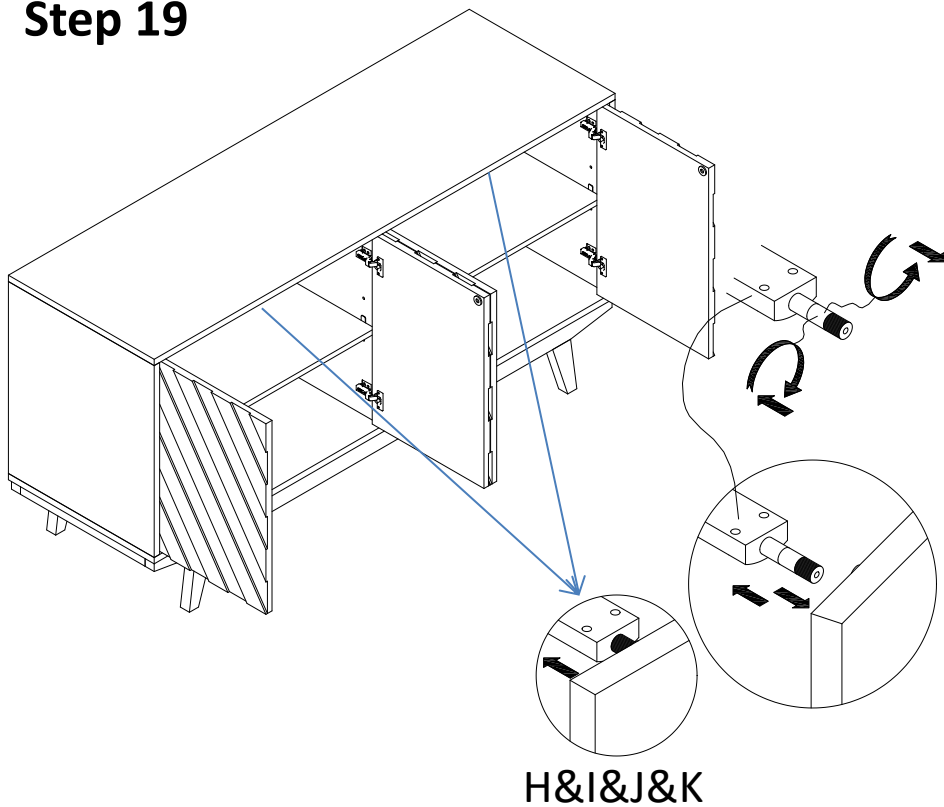
Attach the unit to the wall with plastic belt(15)

Anti-tipping hardware must be used for this product to avoid tipping and injury.

If the unit is not stable , please adjust the adjustable level.

ASSEMBLY INSTRUCTIONS

Step 19



If the door is over out or over in when close it , please adjust it as image.

WARRANTY

We strive to offer high-quality products, and we also try our best to satisfy each and every customer that orders from us with product or service as needed. We provide 30 days warranty starting from the time you receive the item. Each customer must provide a record of their order such as the order number, or item receipt for any items that are out of the warranty period you may also still receive replacement parts by purchasing them with our company if they are available.

**Are you having difficulty
with assembly? Missing parts?**

**Please send email with your order No to
customerservice@hulalahome.com**

**For return, please check the return policy with
the retailer or market place you bought from.**

**Appreciate your purchasing from us.
Pop up your life by our furniture piece!**