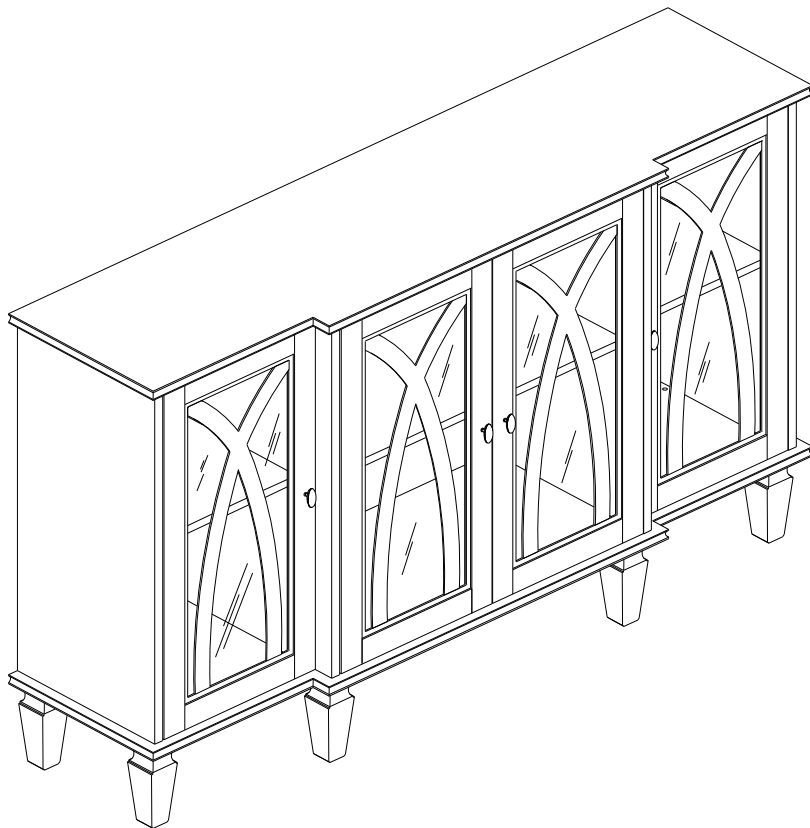


# HULALA

---

H O M E



**ITEM NO.SBHM0768**

---

**NOTE:**

This brochure contains IMPORTANT safty info. Please read and keep for future reference.

---

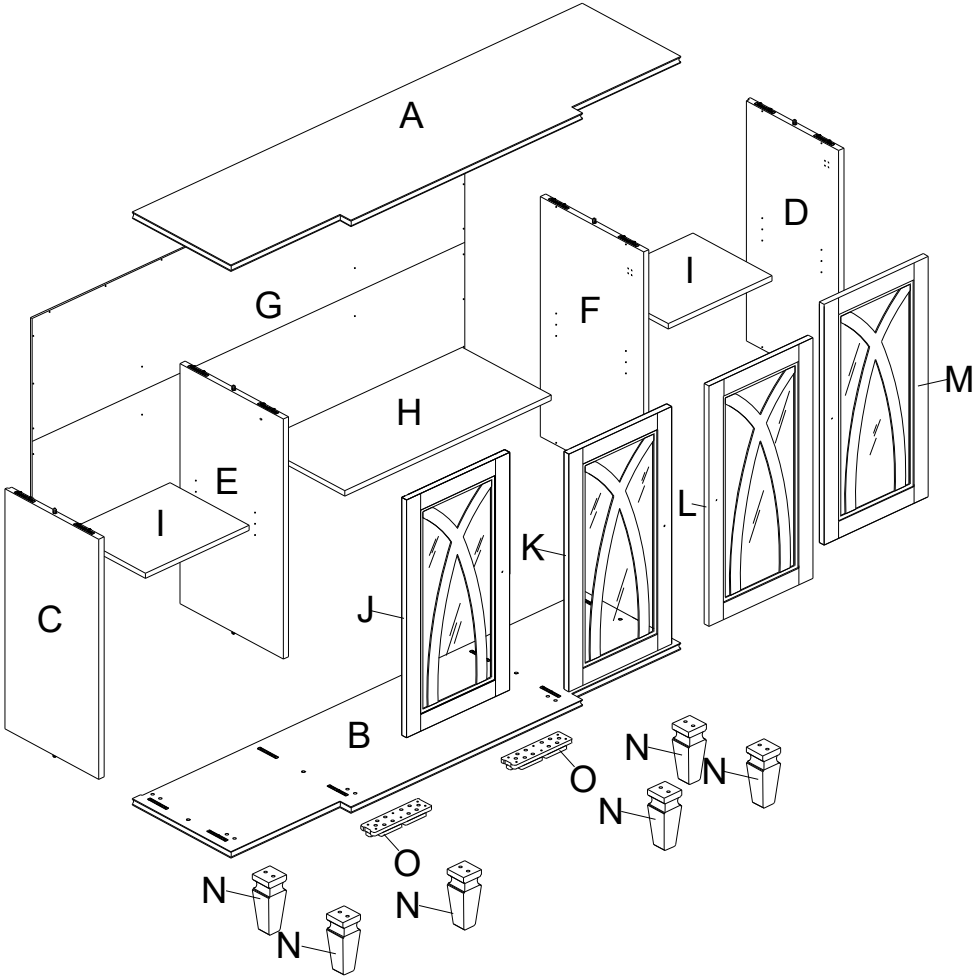
# MAINTAINANCE AND WARNING

- 1.Keep furniture away from heat sources.
- 2.Do not clean furniture with harsh cleaner or polishes.Do not use detergents,solvents,abrasives,spray packs or leather cleaner. Use non-color mild soa with warm water to clean spills(Mix 1:10 soap to water).
- 3.Do not place furniture under direct sunlight,material will possibly fade over time.
- 4.Do not use on site dry cleaning machine.Children should not climb or jump on the furniture.
- 5.Do not write on furniture that is not protectedby a padded barrier.
- 6.Not for commercial use,only for residential use.



Weight Limitation  
**150 LBS**

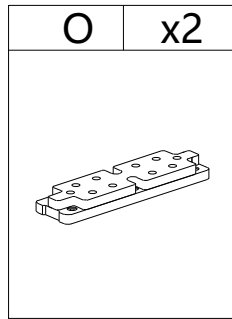
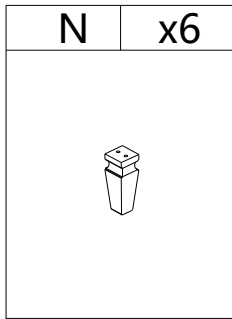
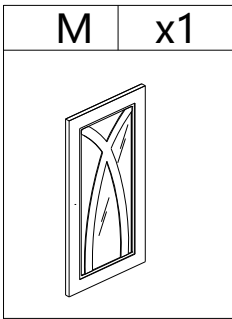
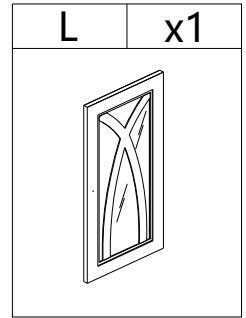
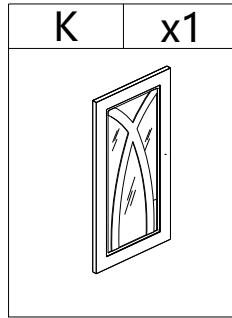
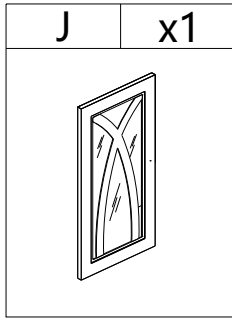
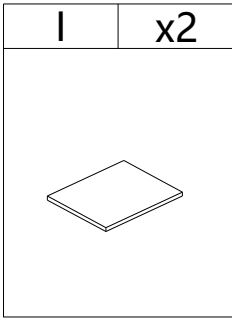
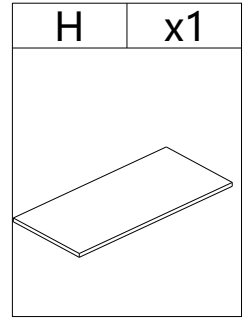
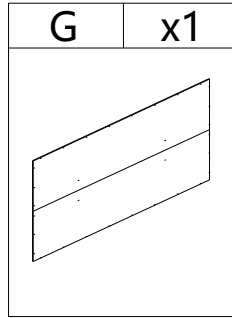
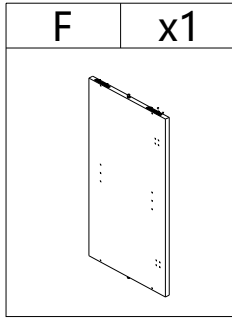
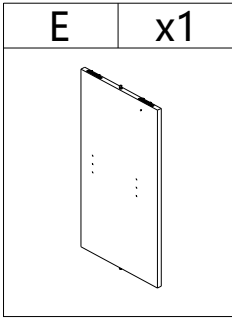
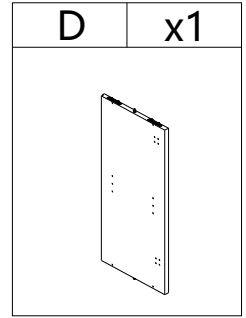
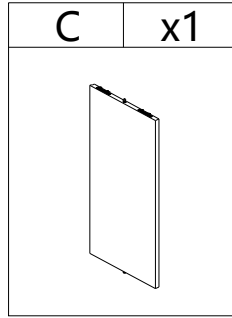
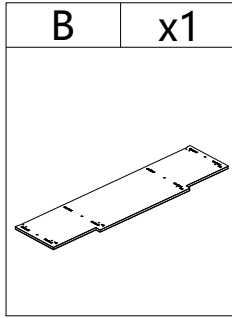
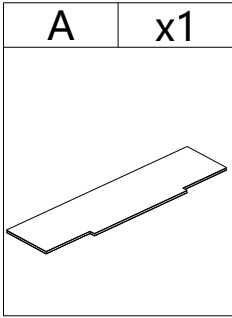
# EXPLOSIVE VIEW



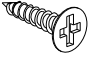
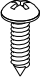
2 PERSONENS




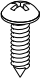
# PARTS LIST




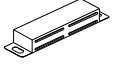
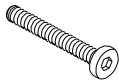



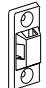





# HARDWARE LIST-1

#1	x52	#2	x36
			
φ3.5*14mm*7#		φ3*14mm*6#	


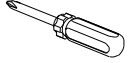
# HARDWARE SPARE LIST

#1	x1	#2	x1
			
φ3.5*14mm*7#		φ3*14mm*6#	

# HARDWARE LIST-2

#3	x2	#4	x1	#5	x12	#6	x12	#7	x4	#8	x4
											
				φ1/4"*1-1/4"				φ5/32"*3/4"			
#9	x4	#10	x4	#11	x4	#12	x2	#13	x8	#14	x12
											
		φ3.5*35mm*7#								φ8*30mm	

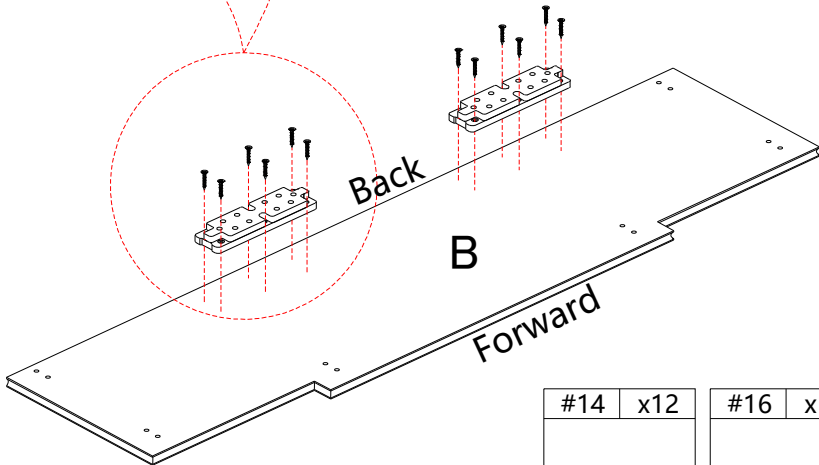
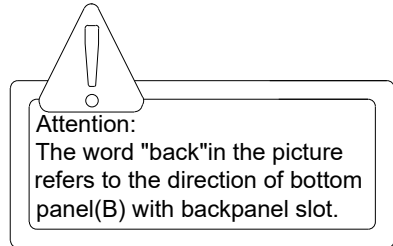
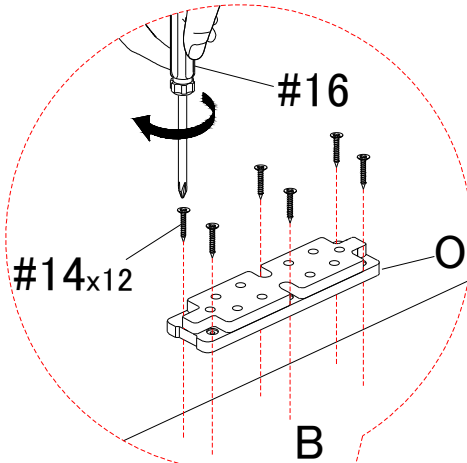
# TOOL LIST


#15	x1	#16	x1
			
M4			

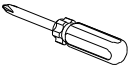
# ASSEMBLY INSTRUCTIONS

## STEP-1

Use screw #14 to attach clump weight (O) to the reverse side of bottom panel (B), the position is behind the bottom panel (B) as picture show, tighten screw #14 with screwdriver #16.



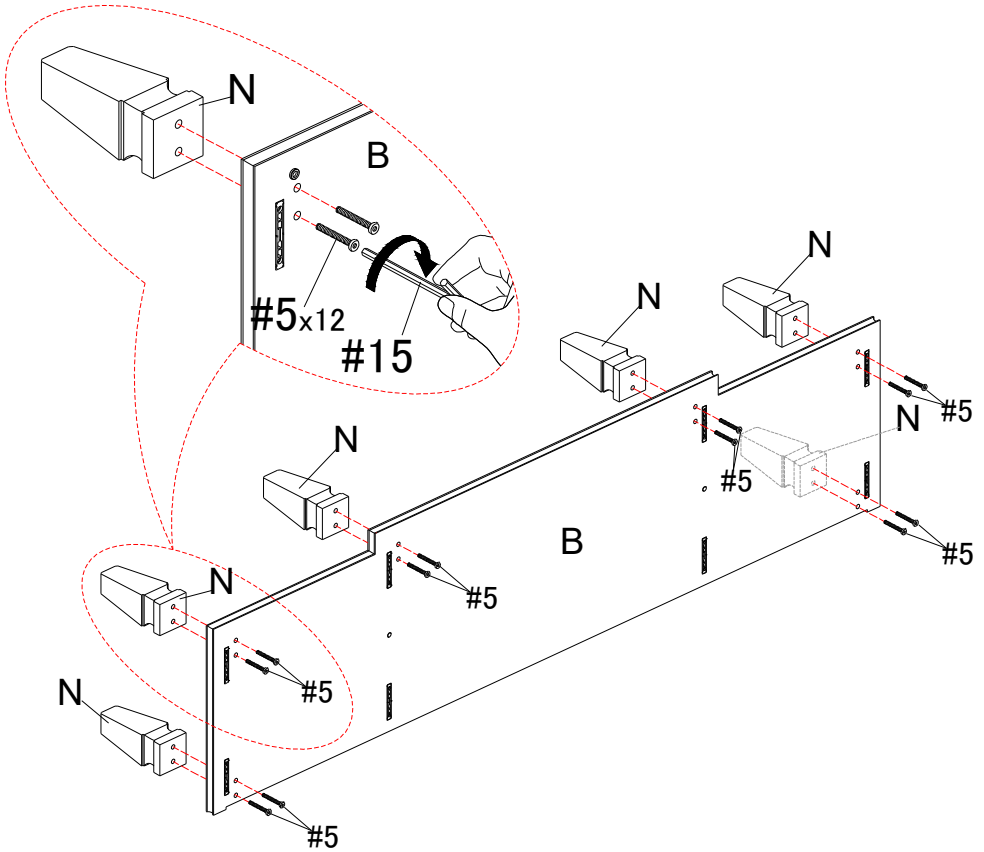
#14	x12
	
ø8*30mm	


#16	x1
	

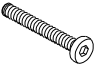
# ASSEMBLY INSTRUCTIONS

## STEP-2

Use bolt #5 to attach leg (N) to the corresponding hole of bottom panel (B), tighten bolt #5 with allen key #15.



#15	x1
	
M4	

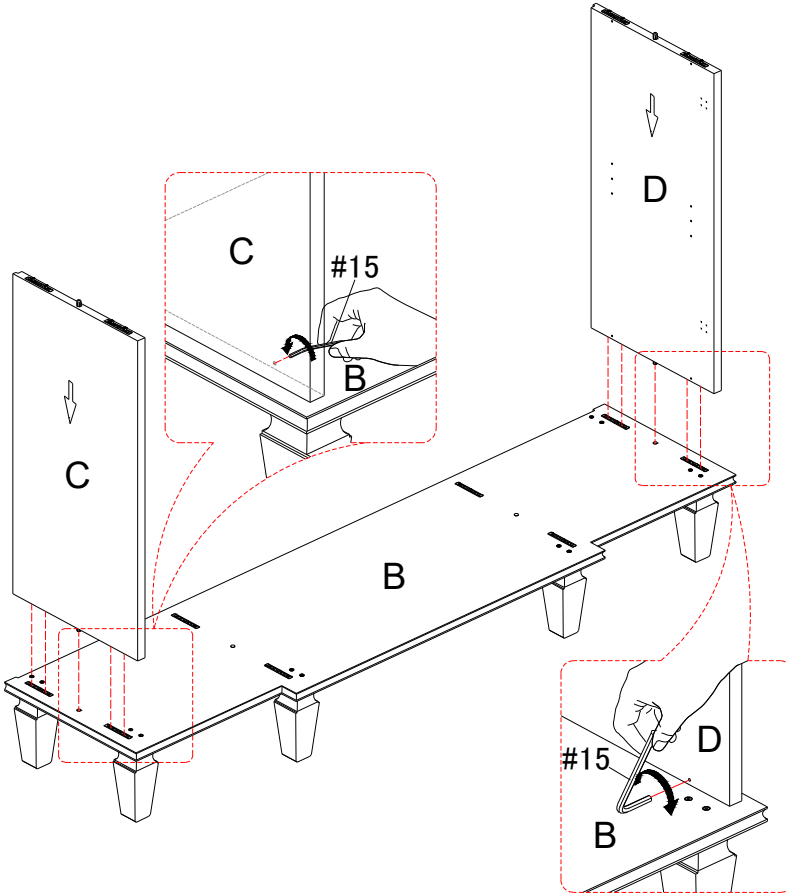
#5	x12
	
Ø1/4" * 1-1/4"	




# ASSEMBLY INSTRUCTIONS

## STEP-3

Insert side panel (C)&(D) into the corresponding hole of bottom panel (B) and then use allen key #15 to tighten it as picture show.

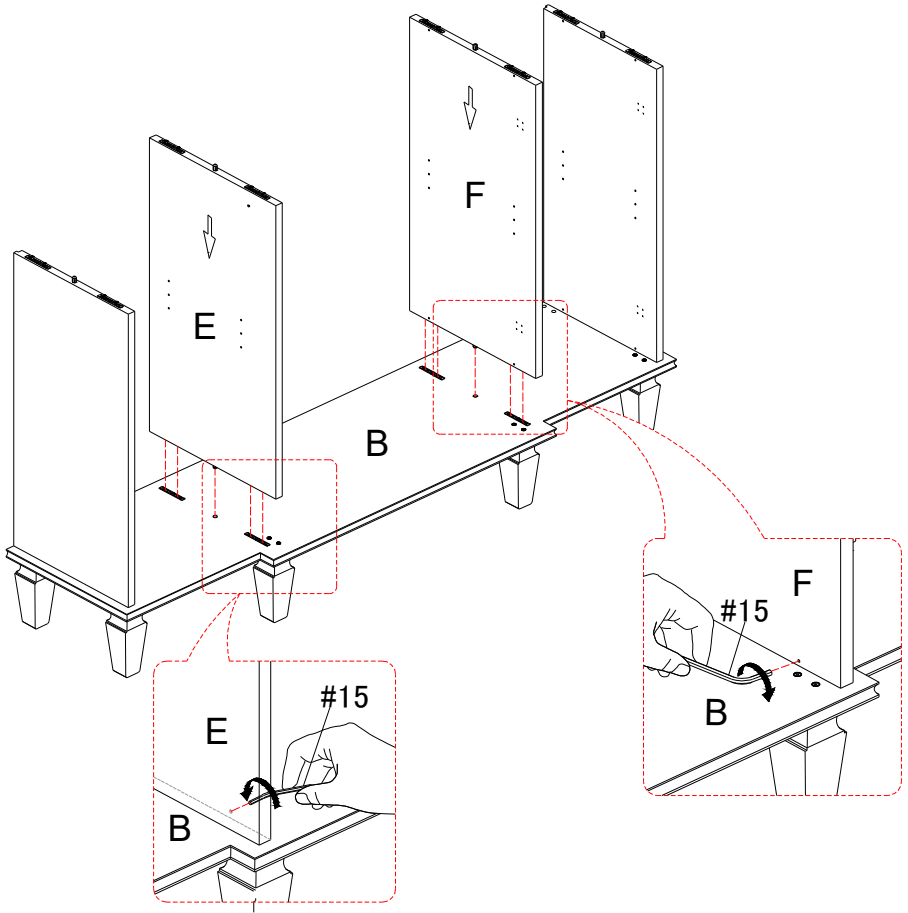



#15	x1
	
M4	

# ASSEMBLY INSTRUCTIONS

## STEP-4

Insert middle vertical panel (E)&(F) into the corresponding hole of bottom panel (B) and then use allen key #15 to tighten it as picture show.

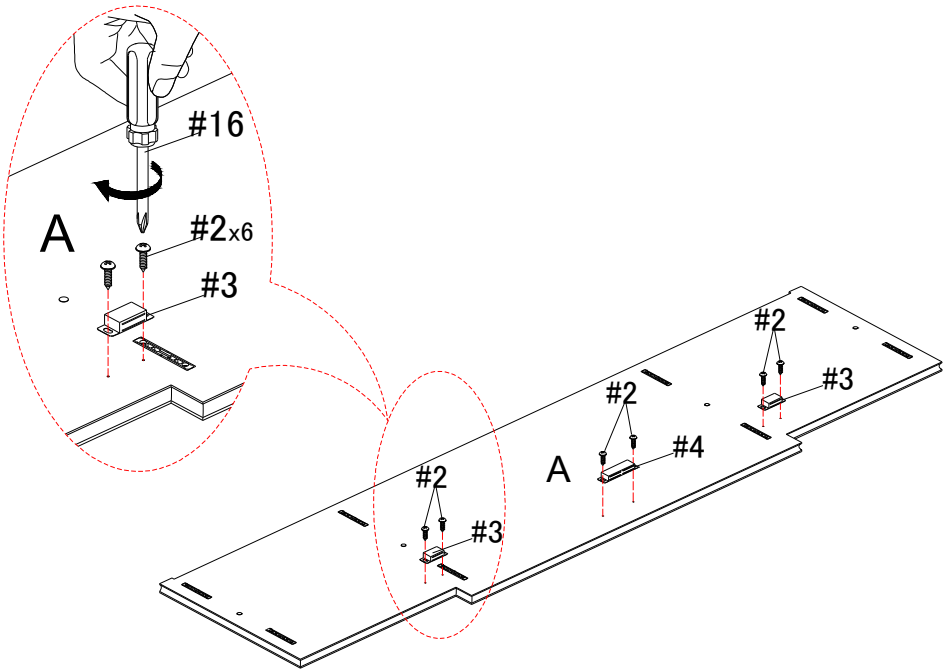




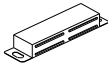
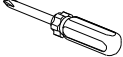
#15	x1
	
M4	

# ASSEMBLY INSTRUCTIONS

## STEP-5

Use screw #2 to attach magnetic catch #3&#4 to the corresponding hole of top panel (A) as picture show,tighten screw #2 with screwdriver #16.Pay attention to the model distinction of catch #3&#4.

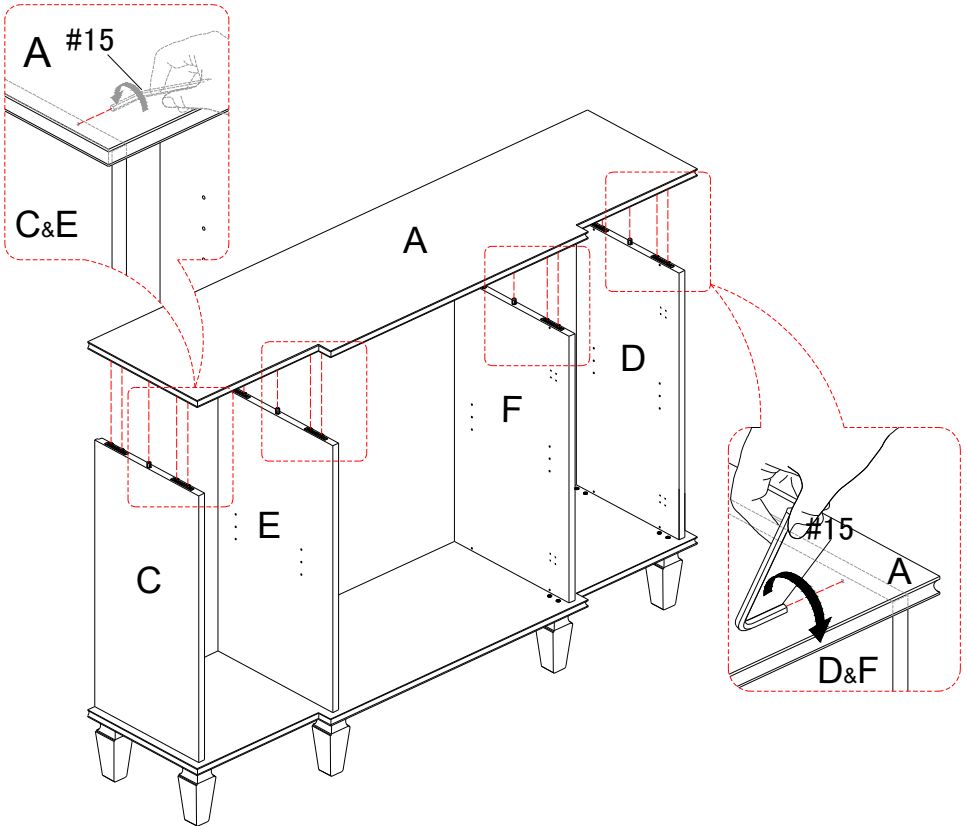



#2	x6	#3	x2	#4	x1	#16	x1
							
ø3*14mm*6#							

# ASSEMBLY INSTRUCTIONS

## STEP-6

Insert top panel (A) into the corresponding hole of preassembly step 4, make sure all holes aligned and tighten it with allen key#15.

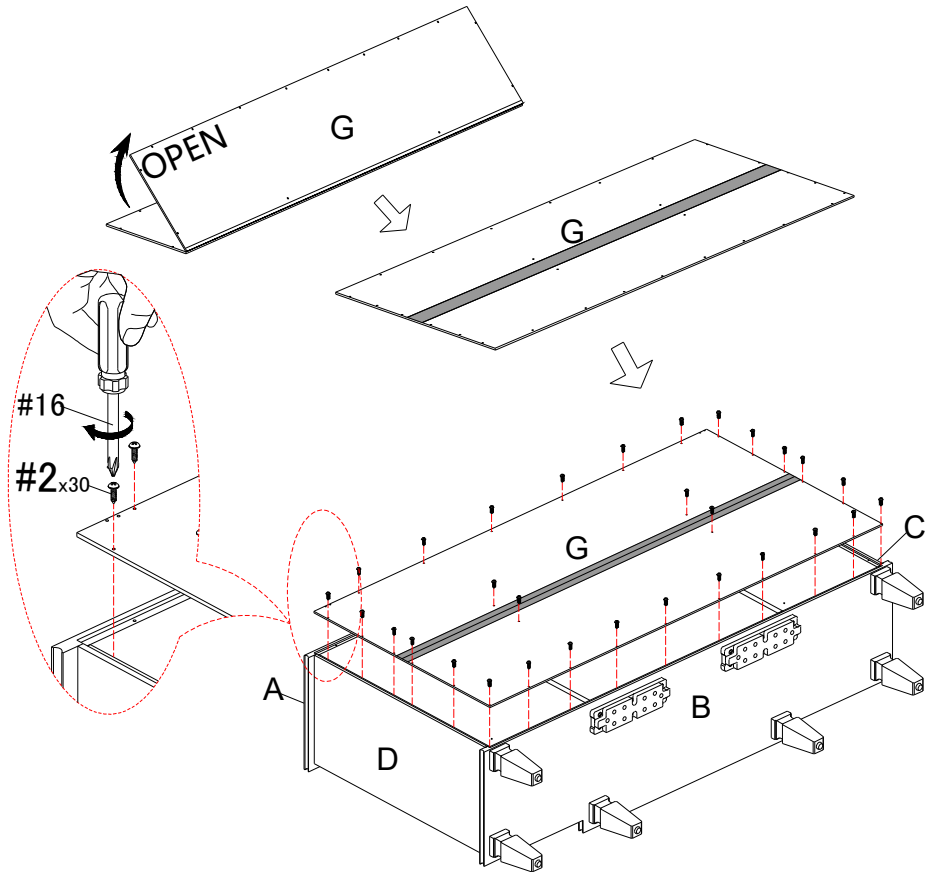



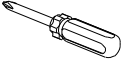
#15	x1
	
M4	

# ASSEMBLY INSTRUCTIONS

## STEP-7

Open the panel (G), insert panel (G) into the groove of preassemble step 6, make sure all holes aligned and use screw #2 to attach it, tighten screw #2 with screwdriver #16.



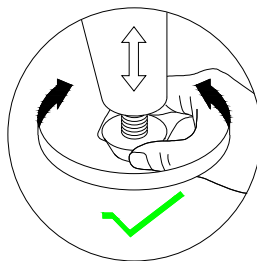
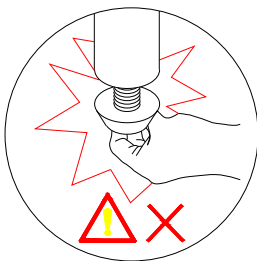
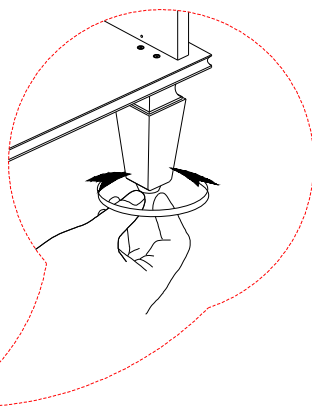
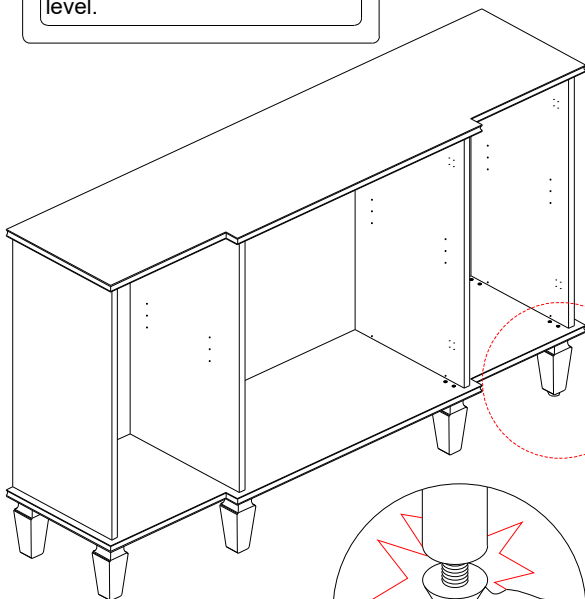
#2	x30	#16	x1
			
Ø3*14mm*6#			

# ASSEMBLY INSTRUCTIONS

## STEP-8



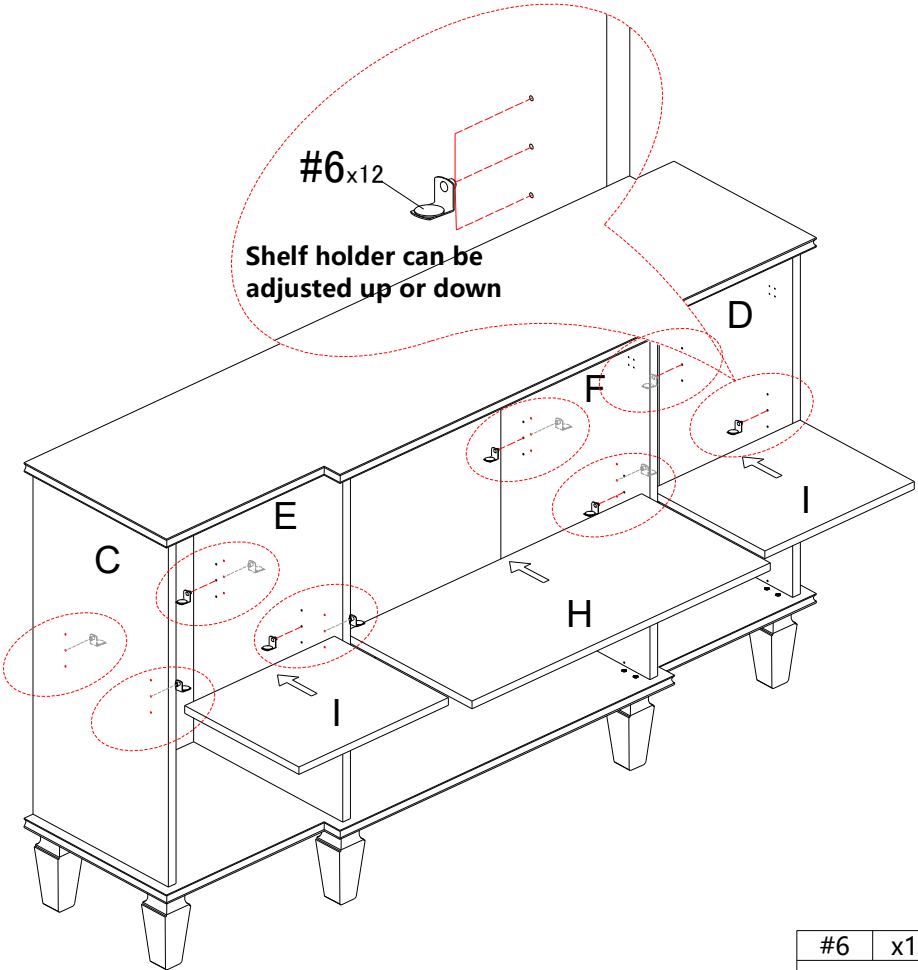
**Attention:**  
Before the next step, adjust the feet of the locker to keep it level.




# ASSEMBLY INSTRUCTIONS

## STEP-9

Insert shelf holder #6 into the corresponding hole of panel (C)&(E)&(D)&(F), make sure shelf holders #6 are level, and then attach panel (H)&(I) to it.

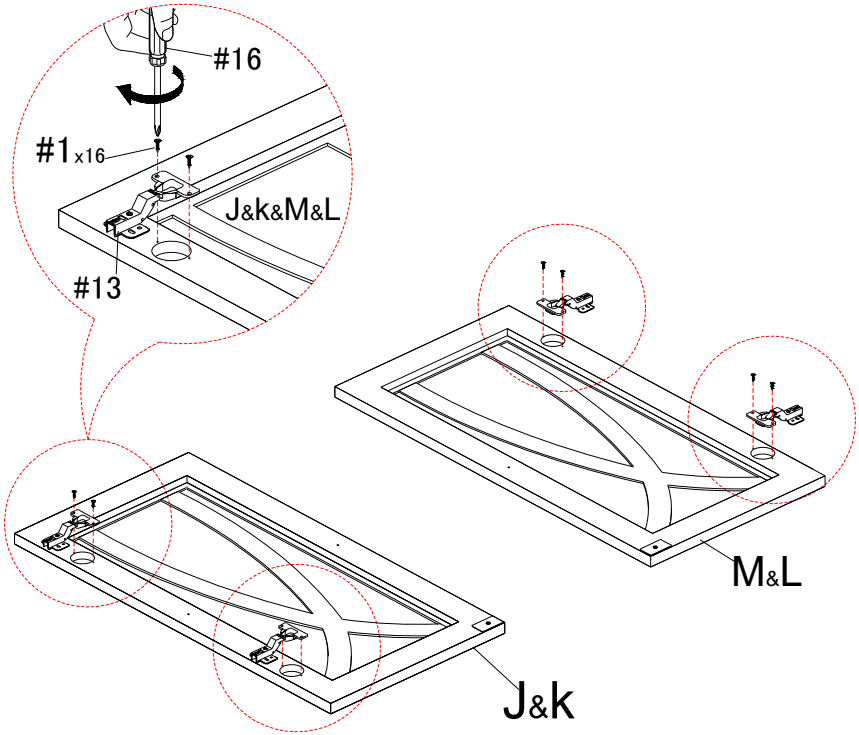




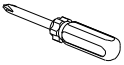
#6	x12
	

# ASSEMBLY INSTRUCTIONS

## STEP-10

Use screw #1 to attach hinge #13 to doors (J)&(K)&(L)&(M), make sure all holes aligned and tighten screw #1 with screwdriver #16.



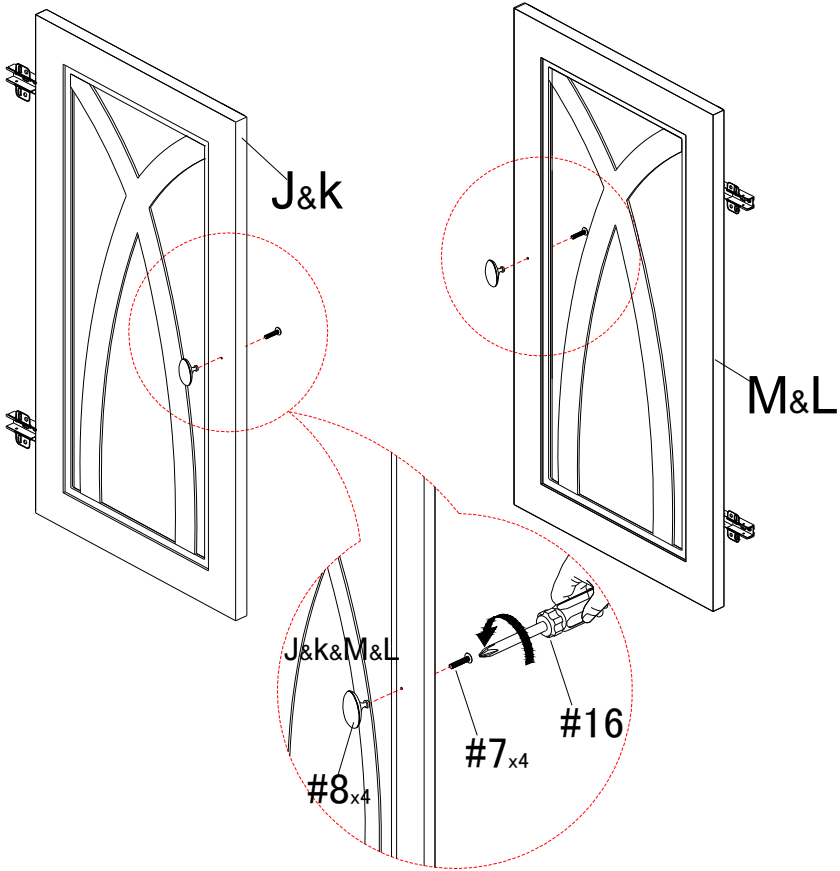
#1	x16	#13	x8	#16	x1
					
Ø3.5*14mm*7#					



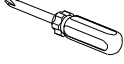


# ASSEMBLY INSTRUCTIONS

## STEP-11

Use screw #7 to attach handle #8 to doors (J)&(K)&(L)&(M), make sure all holes aligned and tighten screw #7 with screwdriver #16.

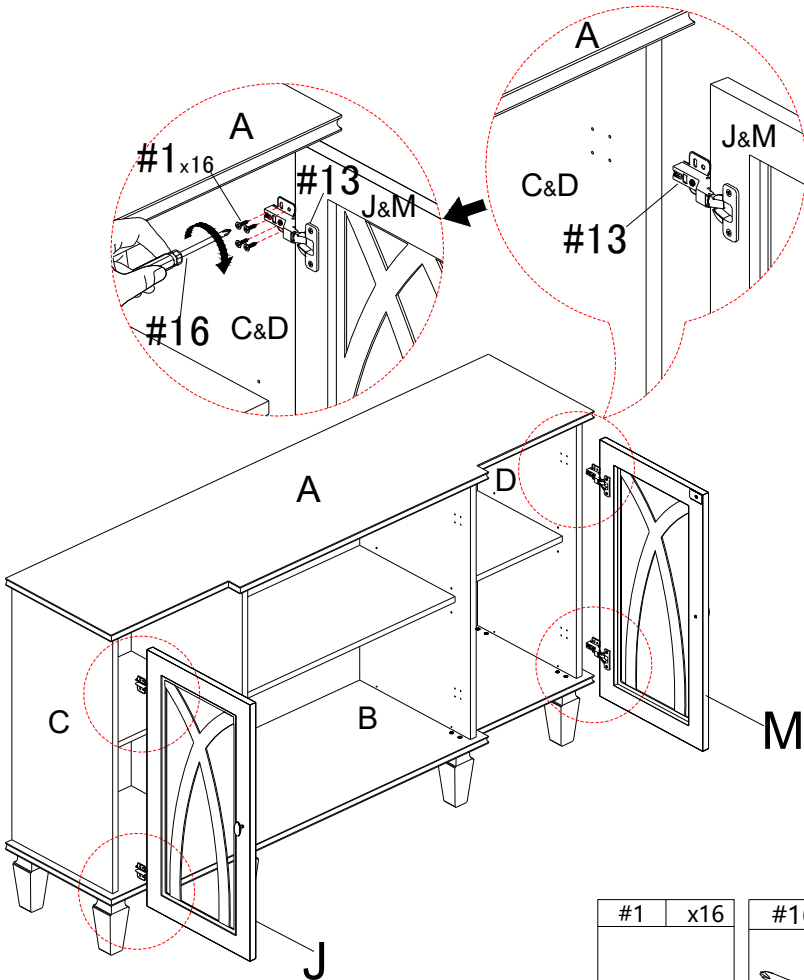



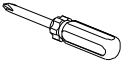
#7	x4	#8	x4	#16	x1
					
Ø5/32"*3/4"					

# ASSEMBLY INSTRUCTIONS

## STEP-12

Align the corresponding hole of preassembled doors (J)&(M) with the corresponding hole of side panel (C)&(D), and then use screw #1 to attach hinge #13 to side panel (C)&(D), tighten screw #1 with screwdriver #16.

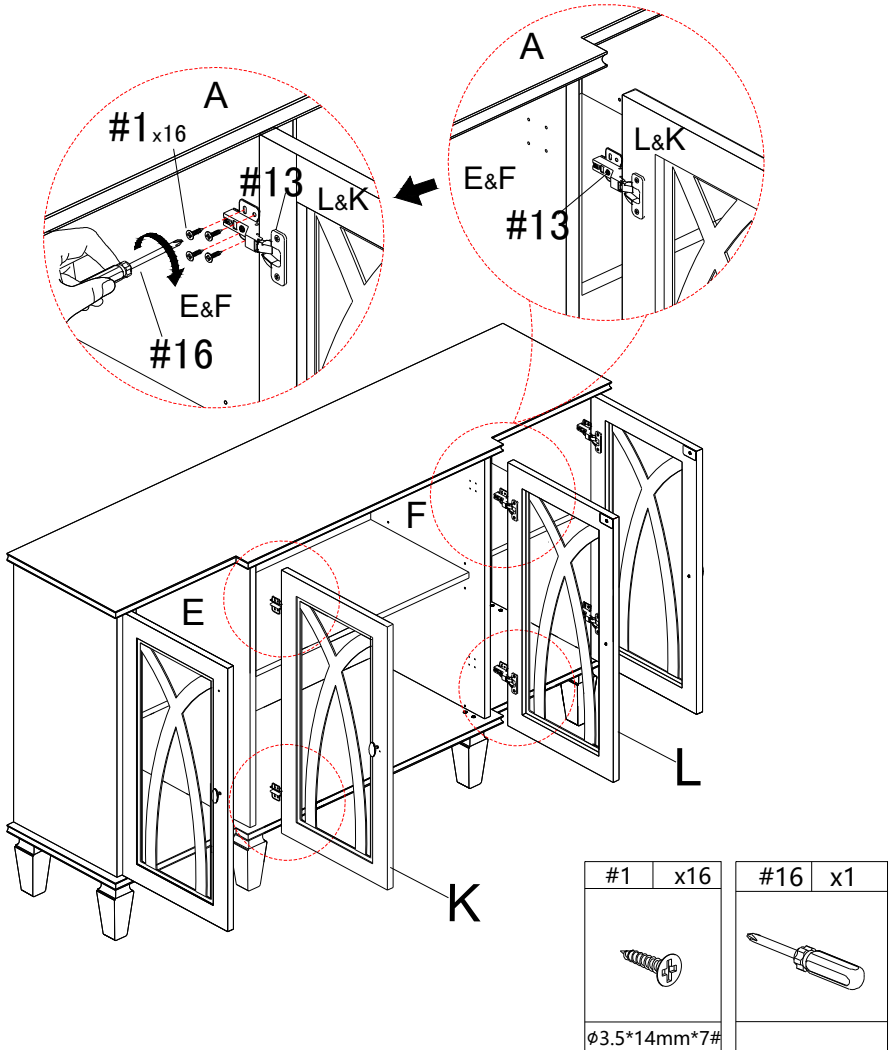


#1	x16	#16	x1
			
ø3.5*14mm*7#			

# ASSEMBLY INSTRUCTIONS

## STEP-13

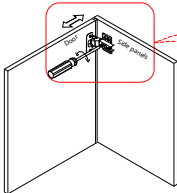
Align the corresponding hole of preassembled doors (K)&(L) with the corresponding hole of middle vertical panel (E)&(F), and then use screw #1 to attach hinge #13 to middle vertical panel (E)&(F), tighten screw #1 with screwdriver #16.



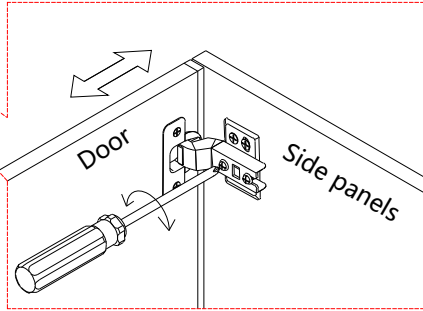
# ASSEMBLY INSTRUCTIONS

## STEP-14

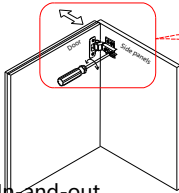
Concealed hinges are three-way adjustable:



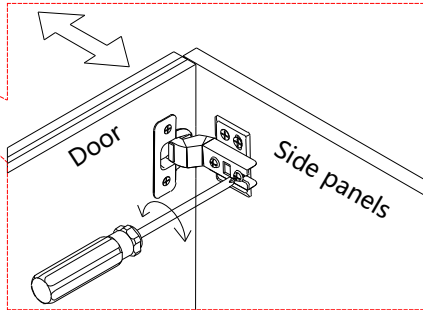
Horizontal  
by screw adjustment!



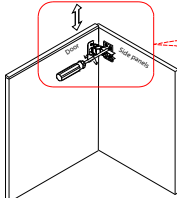
Concealed hinges are three-way adjustable:



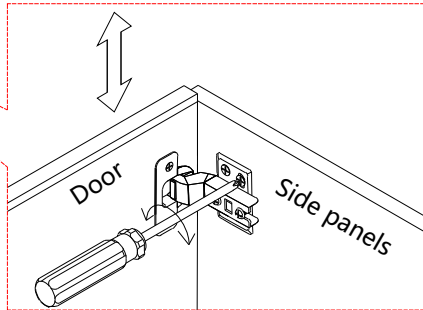
In-and-out  
by loosening the hinge arm  
mounting screw or via cam  
adjustment!



Concealed hinges are three-way adjustable:



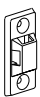

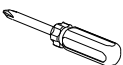
Vertical via slots in  
the mounting plate  
or via cam  
adjustment!



Video for door adjustment

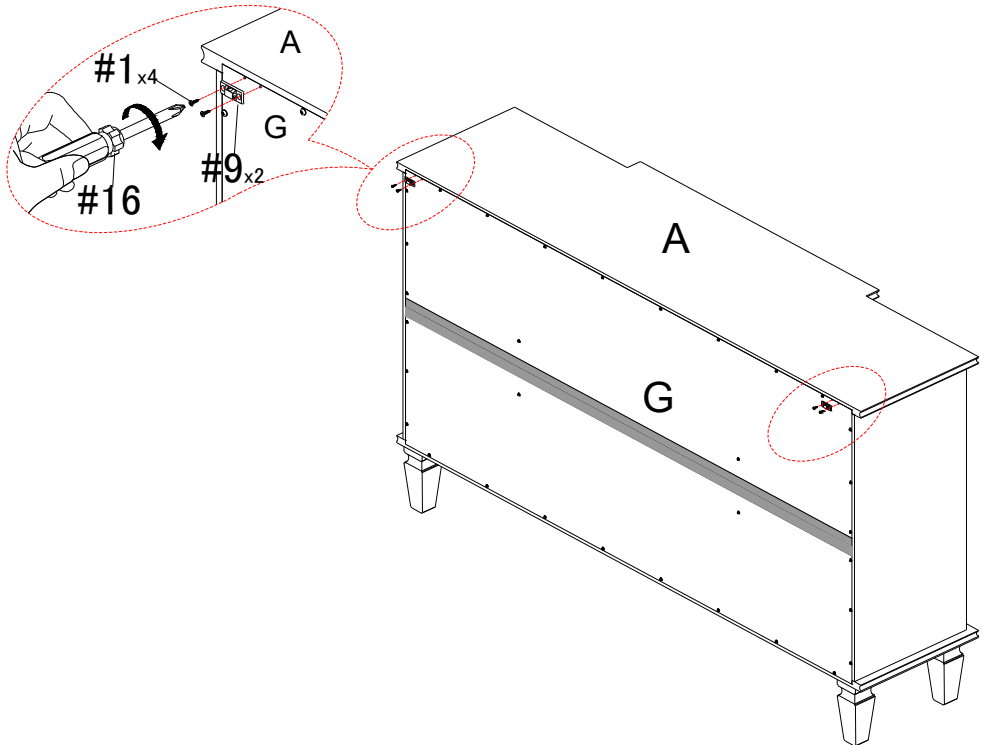
## Hinge adjustment method

# ASSEMBLY INSTRUCTIONS

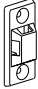


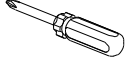
#9	x2	#1	x4	#16	x1
					
		ø3.5*14mm*7#			

## STEP-15

Use screw #1 to attach plastic bracket #9 to back panel (G), make sure all holes aligned and tighten screw #1 with screwdriver #16.

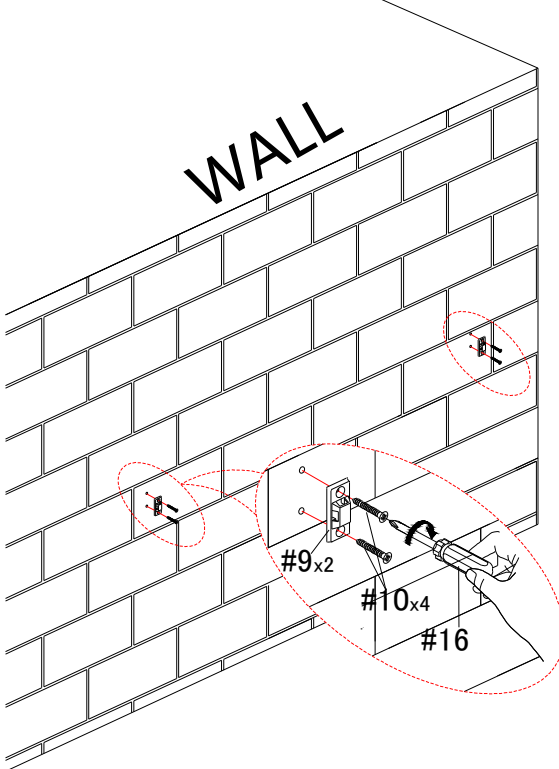


# ASSEMBLY INSTRUCTIONS

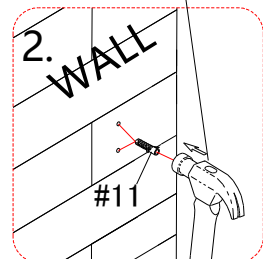
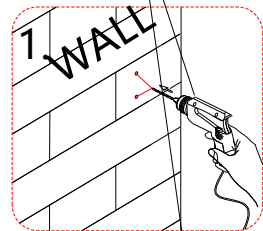
#9	x2	#10	x4	#11	x4	#16	x1
							
		Ø3.5*35mm*7#					

## STEP-16


1. Mark the position on the wall, that corresponds to the location of bracket #9 on the back panel G; Drill and insert the expandable screw #11 by hammer.
2. Assemble the bracket #9 to the wall. Align the hole in the bracket #9 with the expandable screw #11, use screw #10 to attach it, tighten screw #10 with screwdriver #16.



NOT PROVIDED

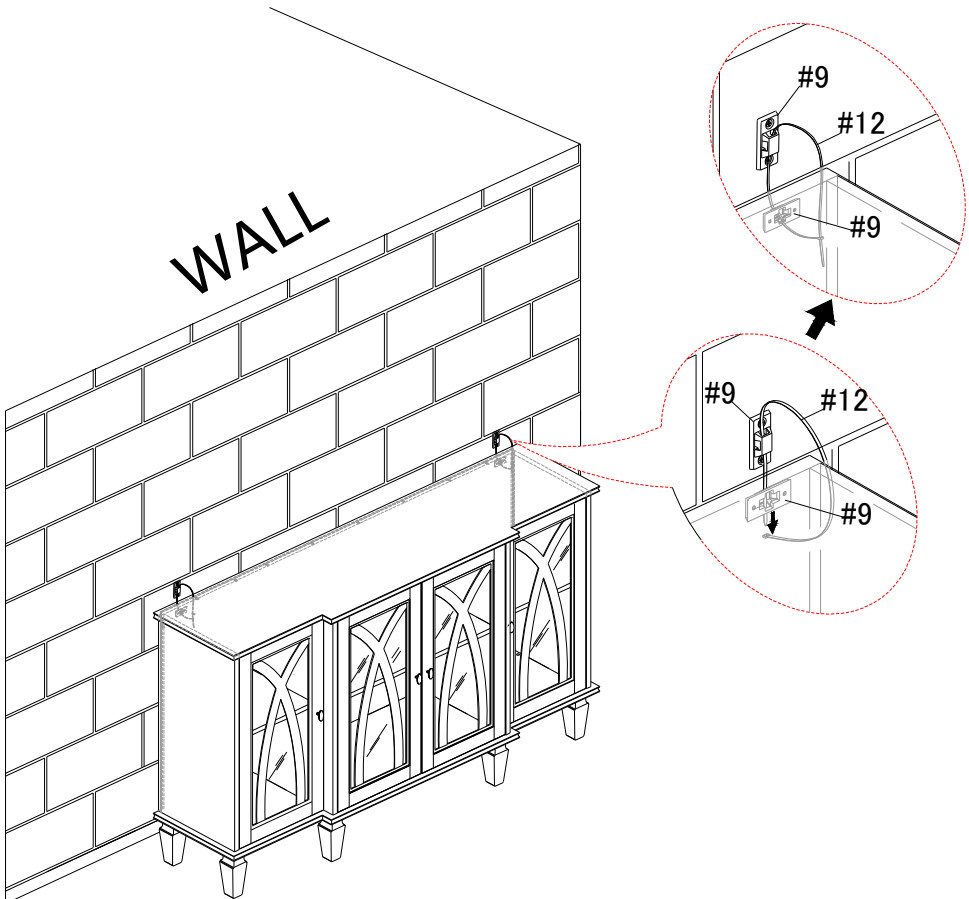


# ASSEMBLY INSTRUCTIONS

#12	x2
	

## STEP-17

3. Let the plastic belt #12 pass through bracket #9 and pull tightly.



# WARRANTY

1. We strive to offer high-quality products, and we also try our best to satisfy each and every customer that orders from us with product or service as needed.
2. We provide 30 days warranty starting from the time you receive the item. Each customer must provide a record of their order such as the order number, or item receipt for any items that are out of the warranty period you may also still receive.
3. Replacement parts by purchasing them with our company if they are available.

Are you having difficulty  
With assembly? Missing parts?  
Please send email with your order No to  
**[customerservice@hulalahome.com](mailto:customerservice@hulalahome.com)**  
For return, please check the return policy with  
the retailer or market place you bought from.

Appreciate your purchasing from us.  
Pop up your life by our furniture piece!