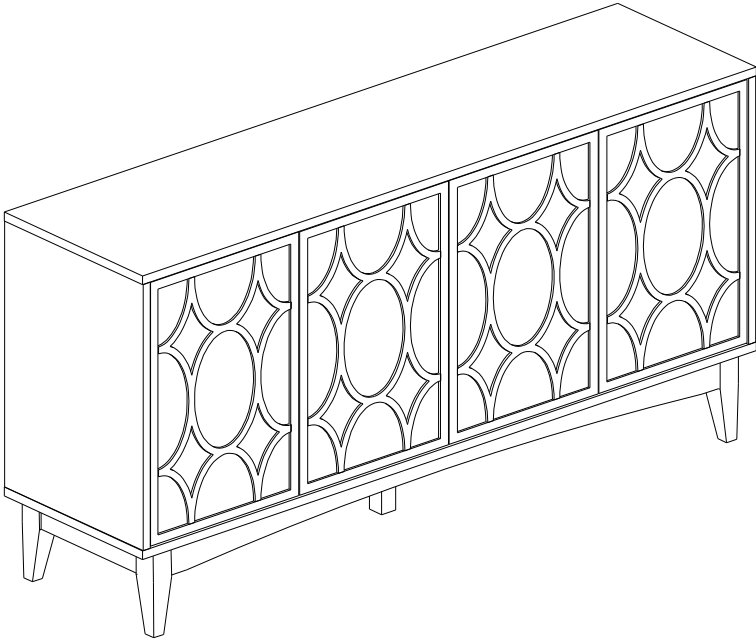


# HULALA

---

H O M E



**ITEM NO.SBHM0785**

---

**NOTE:**

This brochure contains IMPORTANT safty info. Please read and keep for future reference.

---

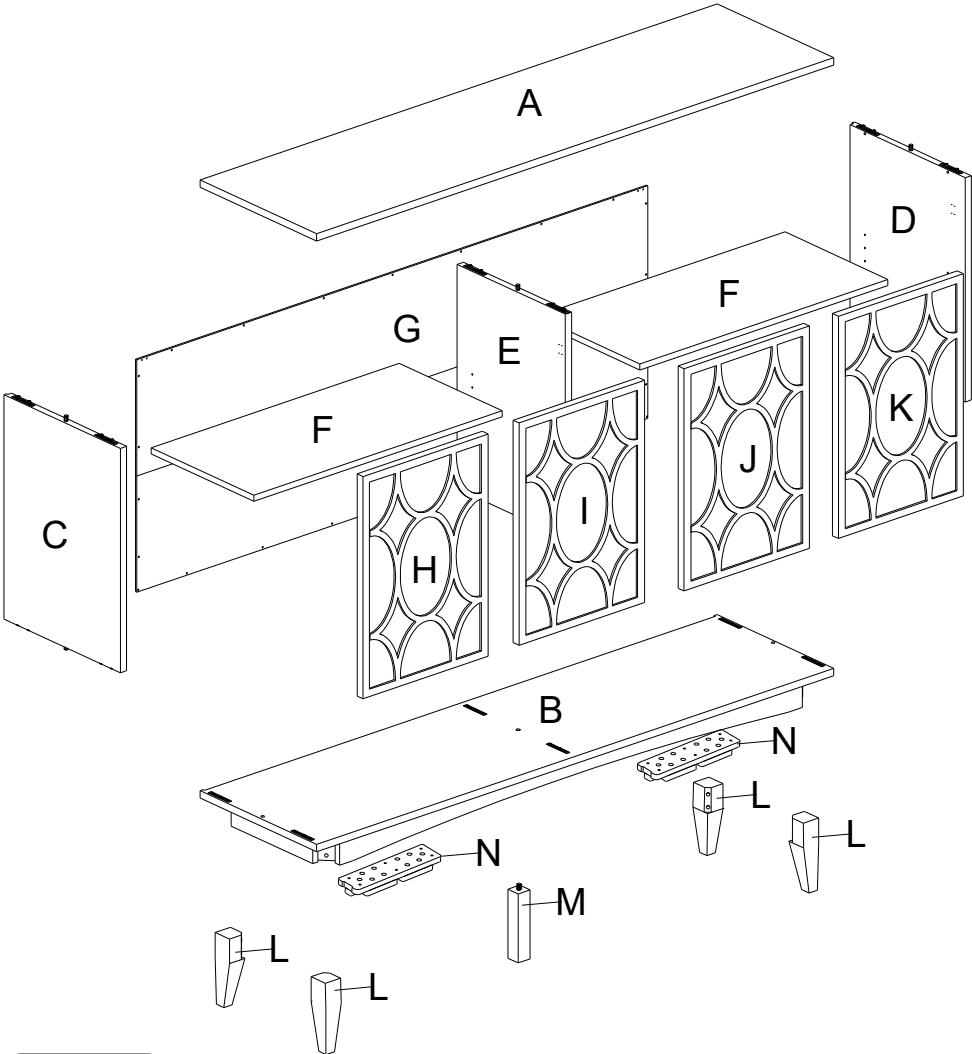
# MAINTAINANCE AND WARNING

- 1.Keep furniture away from heat sources.
- 2.Do not clean furniture with harsh cleaner or polishes.Do not use detergents,solvents,abrasives,spray packs or leather cleaner. Use non-color mild soa with warm water to clean spills(Mix 1:10 soap to water).
- 3.Do not place furniture under direct sunlight,material will possibly fade over time.
- 4.Do not use on site dry cleaning machine.Children should not climb or jump on the furniture.
- 5.Do not write on furniture that is not protectedby a padded barrier.
- 6.Not for commercial use,only for residential use.



Weight Limitation  
**100 LBS**

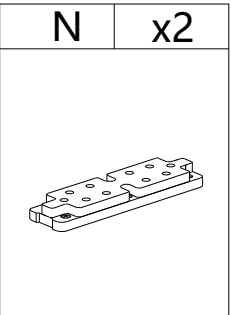
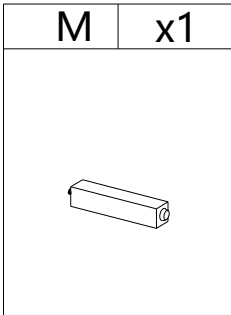
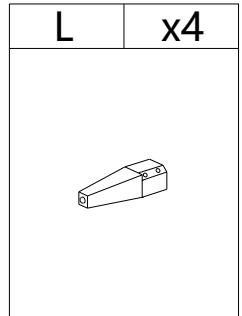
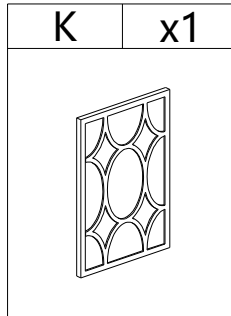
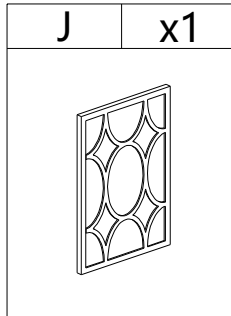
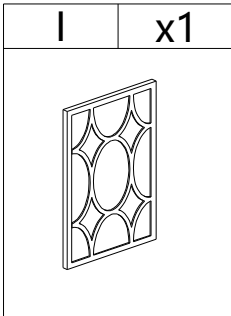
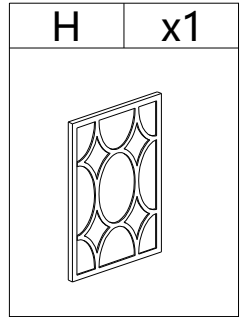
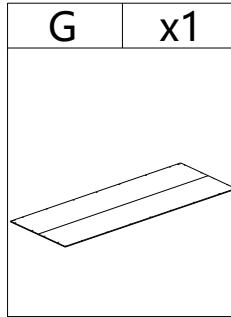
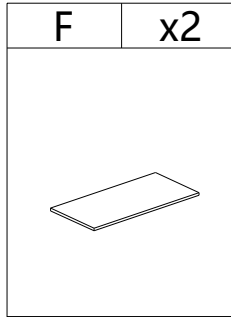
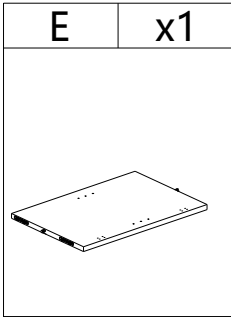
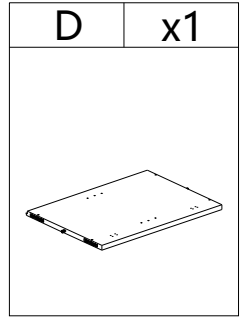
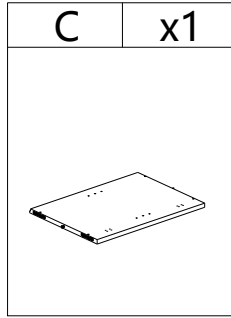
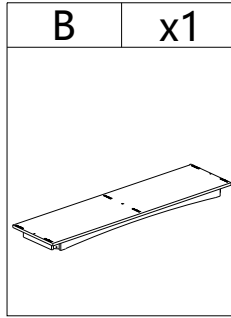
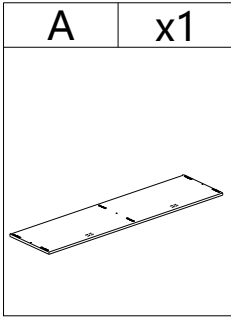
# EXPLOSIVE VIEW





2PERSONEN

# OVERVIEW



# PARTS LIST




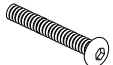



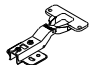


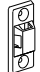




# HARDWARE LIST

#1	x52	#2	x26
			
ø3.5*14mm*7#		ø3*15mm*7#	


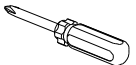
# HARDWARE SPARE LIST

#1	x1	#2	x1
			

# HARDWARE LIST

#3	x16	#4	x8	#5	x8	#6	x8	#7	x4	#8	x4
											
φ3.5*19mm*7#		φ1/4*1-3/4"									
#9	x4	#10	x8	#11	x4	#12	x4	#13	x4	#14	x2
											
						φ3*35mm*7#					
#15	x12										
											
φ8*30mm											

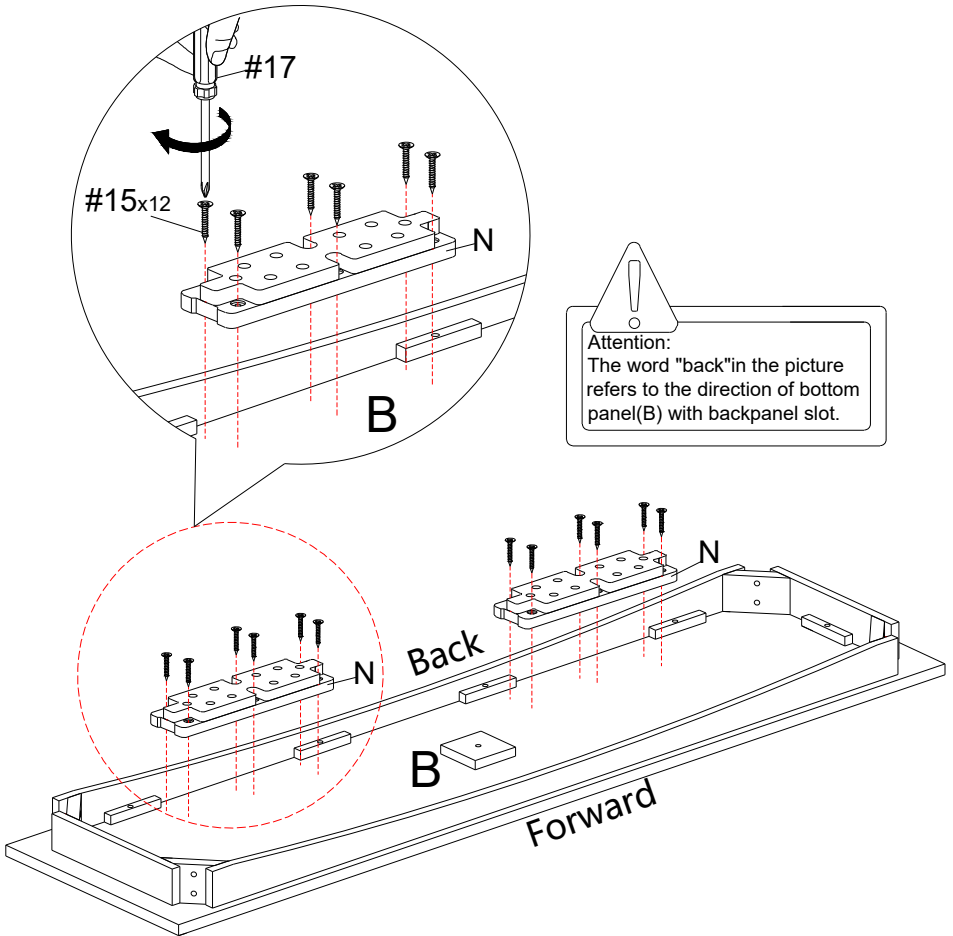
# TOOL LIST


#16	x1	#17	x1
			

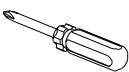
# ASSEMBLY INSTRUCTIONS

## STEP-1

Use screw#15 to attach clump weight(N) to the reverse side of bottom panel(B), the position is behind the bottom panel(B) as picture show,tighten screw#15 with screwdriver#17.



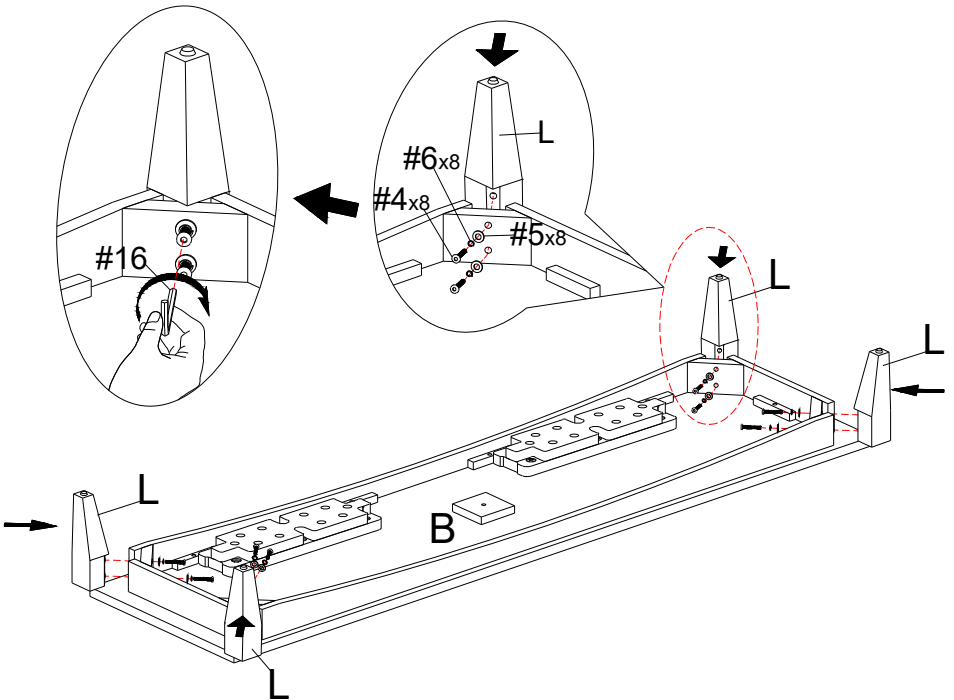
#15	x12
	
ø8*30mm	





#17	x1
	

# ASSEMBLY INSTRUCTIONS

## STEP-2

Use bolt #4, spring washer #6 and plat washer #5 to attach leg (L) to part (B),make sure all holes aligned , tighten bolt #4 with allen key #16.



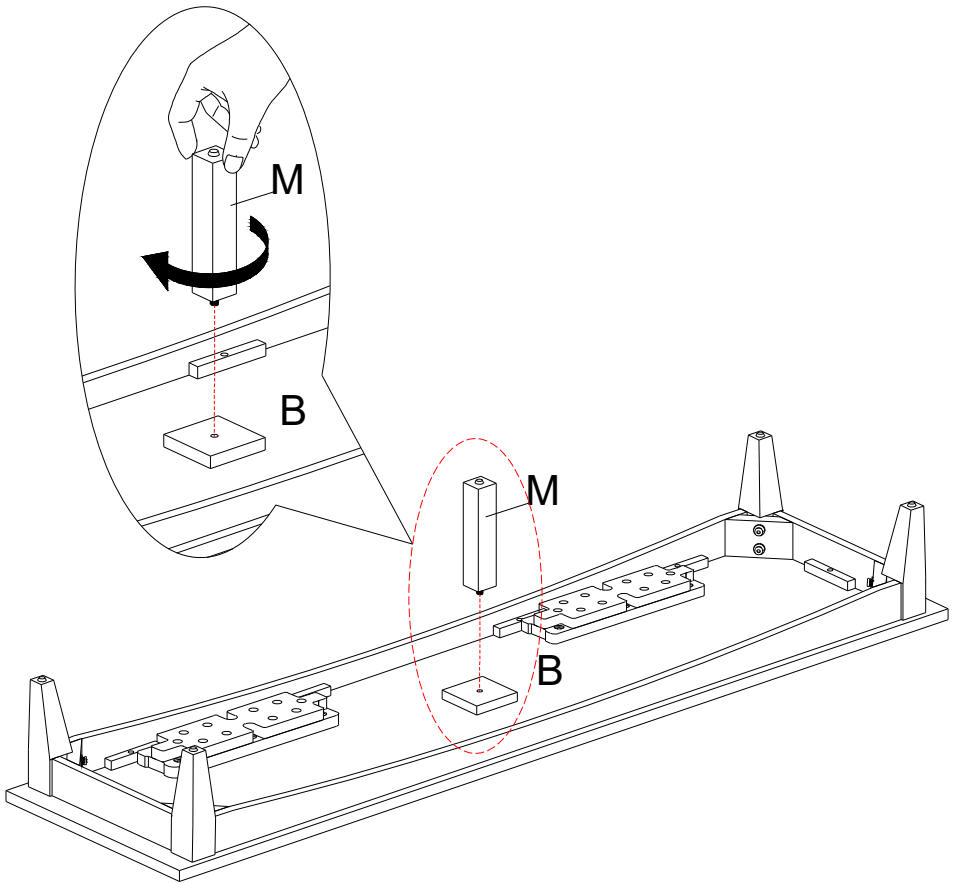
#4	x8	#5	x8	#6	x8	#16	x1
							
Ø1/4*1-3/4"							



# ASSEMBLY INSTRUCTIONS

## STEP-3

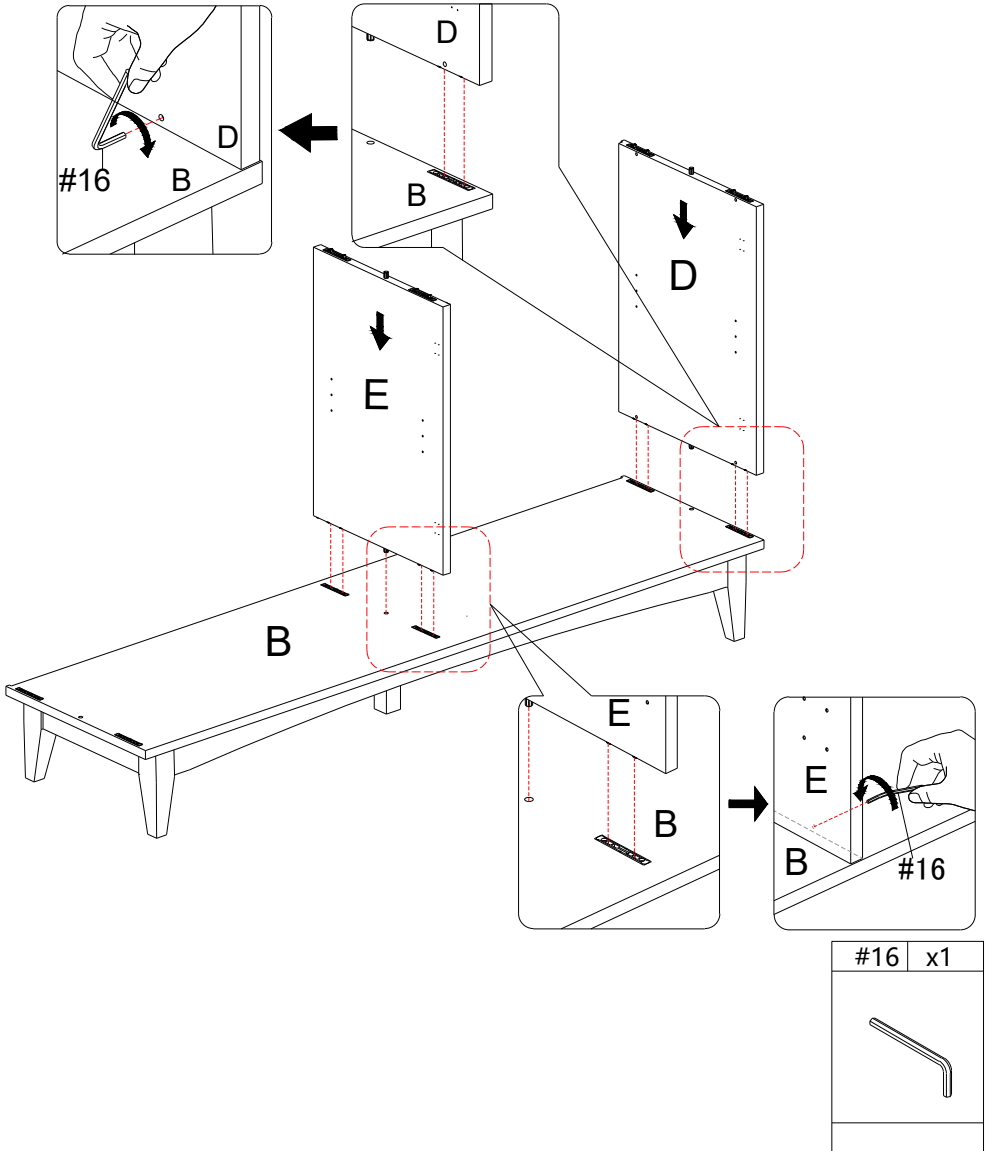
Screw leg (M) into the corresponding hole of part (B) with hand as picture show.



# ASSEMBLY INSTRUCTIONS

## STEP-4

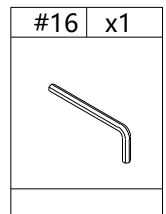
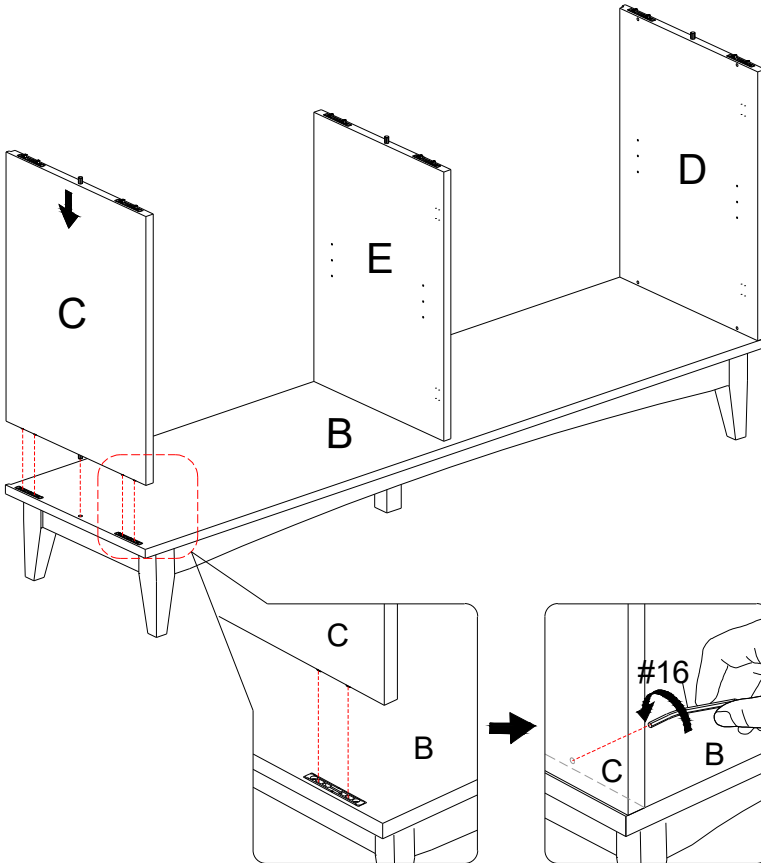
Insert panel (D)&(E) into the corresponding hole of part (B), make sure all holes aligned and tighten it with allen key #16.



# ASSEMBLY INSTRUCTIONS

## STEP-5

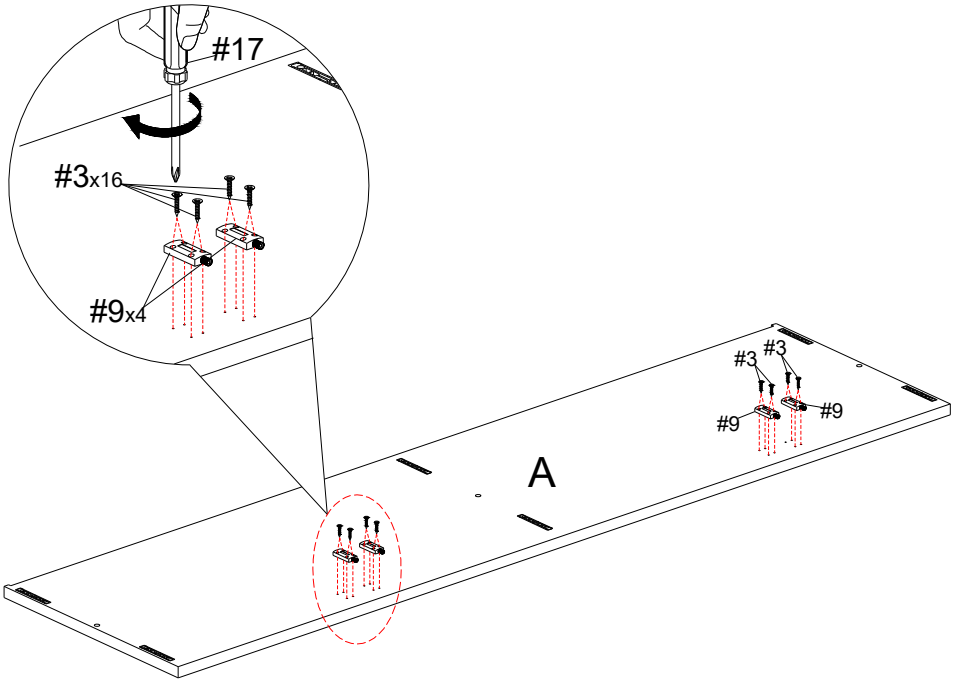
Insert panel (C) into the corresponding hole of part (B) ,make sure all holes aligned and tighten it with allen key #16.

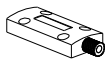

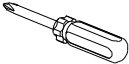


# ASSEMBLY INSTRUCTIONS

## STEP-6

Use screw #3 to attach part #9 to top panel (A), make sure all holes aligned and tighten screw #3 with screwdriver #17.

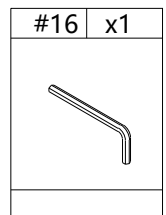
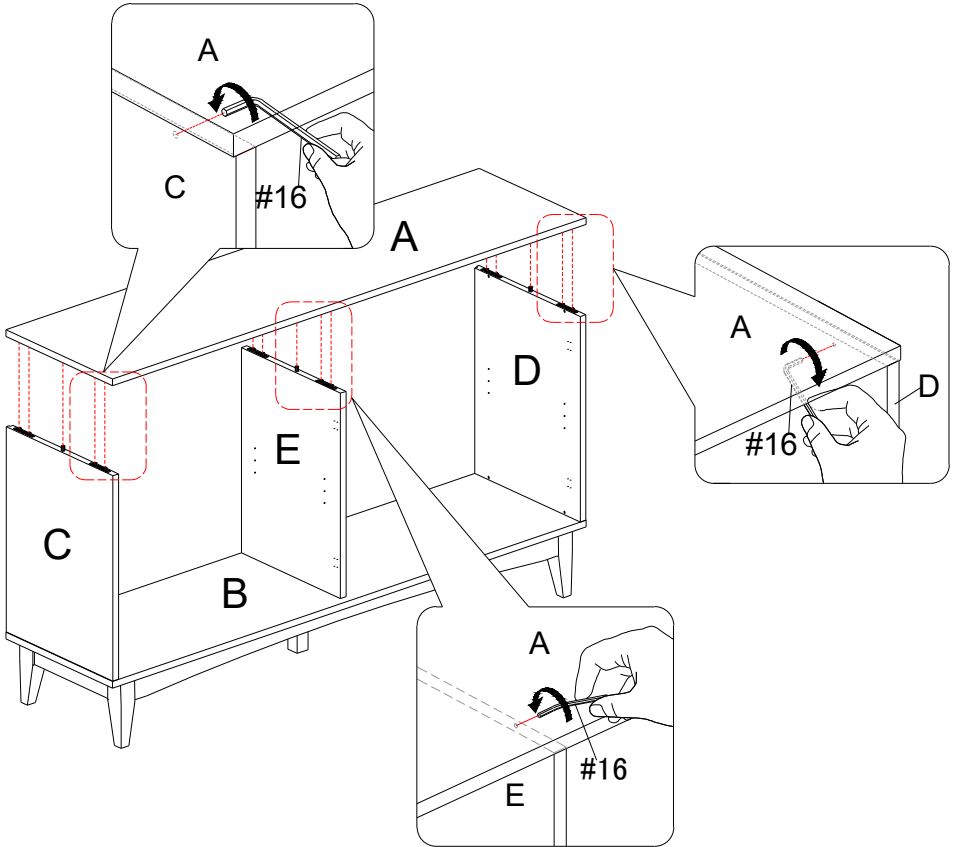


#9	x4	#3	x16	#17	x1
					
		ø3.5*19mm*7#			

# ASSEMBLY INSTRUCTIONS

## STEP-7

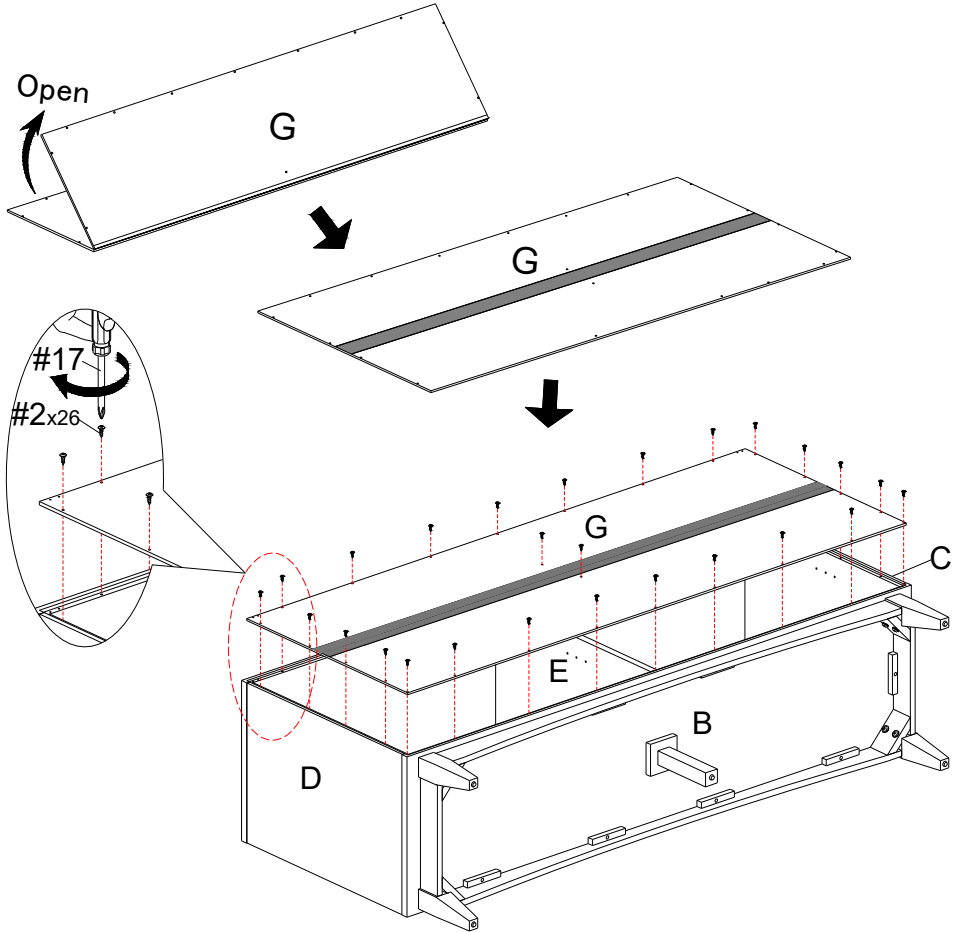
Insert top panel (A) into the preassemble step 5, make sure all holes aligned and tighten it with allen key #16.


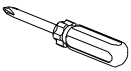


# ASSEMBLY INSTRUCTIONS

## STEP-8

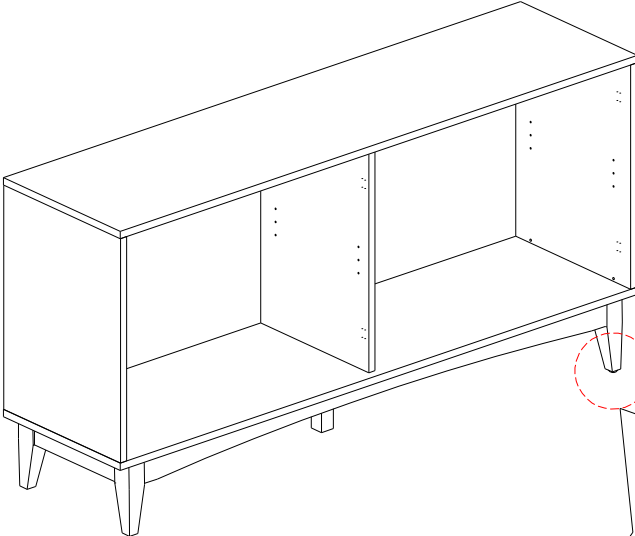
Open the back panel (G), insert back panel (G) into the groove of preassemble step 7, make sure all holes aligned, use screw #2 to attach it and tighten screw #2 with screwdriver #17.



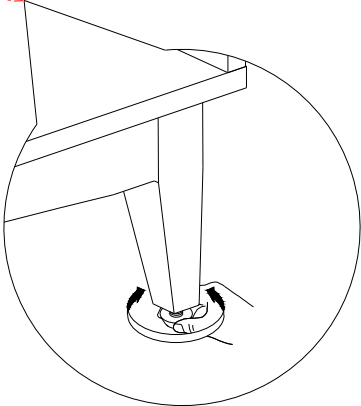
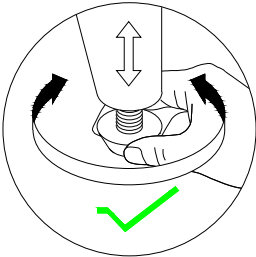
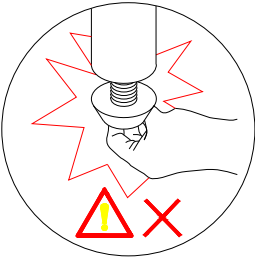
#2	x26	#17	x1
			
ø3*15mm*7#			

# ASSEMBLY INSTRUCTIONS

## STEP-9



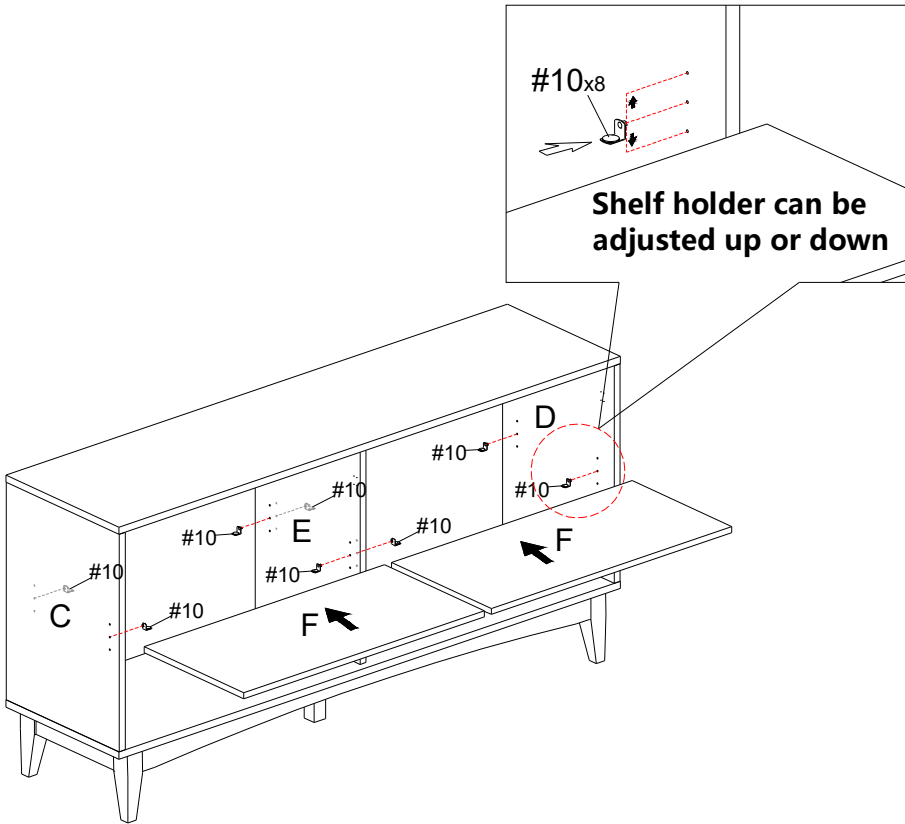
**Attention:**  
Before the next step, adjust  
the feet of the locker to keep  
it level.




# ASSEMBLY INSTRUCTIONS

## STEP-10

Insert shelf holder #10 into the corresponding hole of panel (C)&(D)&(E) and then attach panel (F) to it.



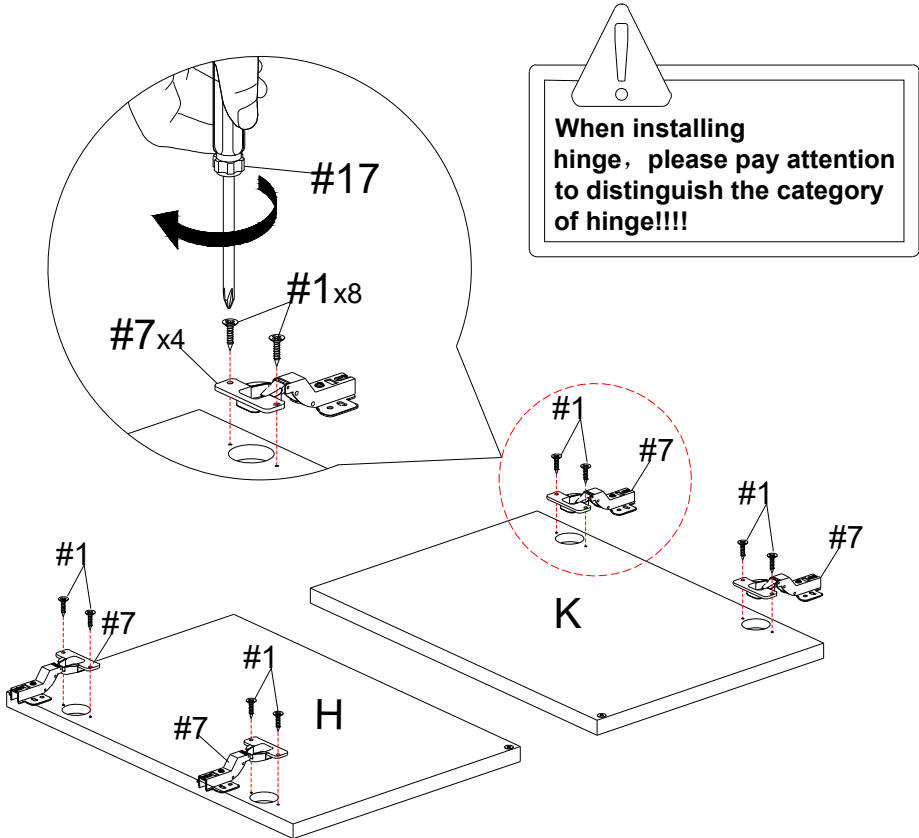
#10	x8
	



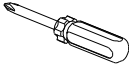


# ASSEMBLY INSTRUCTIONS

## STEP-11

Use screw #1 to attach hinge #7 to door (H)&(K), make sure all holes aligned and tighten screw #1 with screwdriver #17.

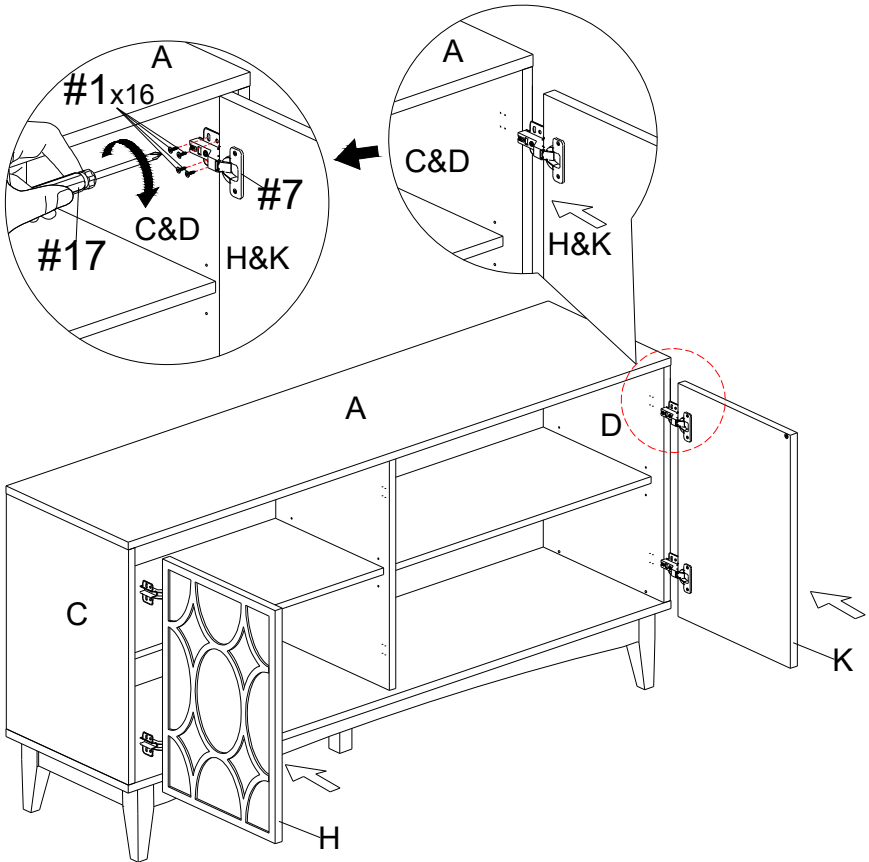



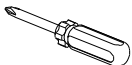
#7	x4	#1	x8	#17	x1
					
		ø3.5*14mm*7#			

# ASSEMBLY INSTRUCTIONS

## STEP-12

Move door (K)&(H) to corresponding position of side panel (C)&(D), make sure all holes aligned and use screw #1 to attach them, tighten screw #1 with screwdriver #17.

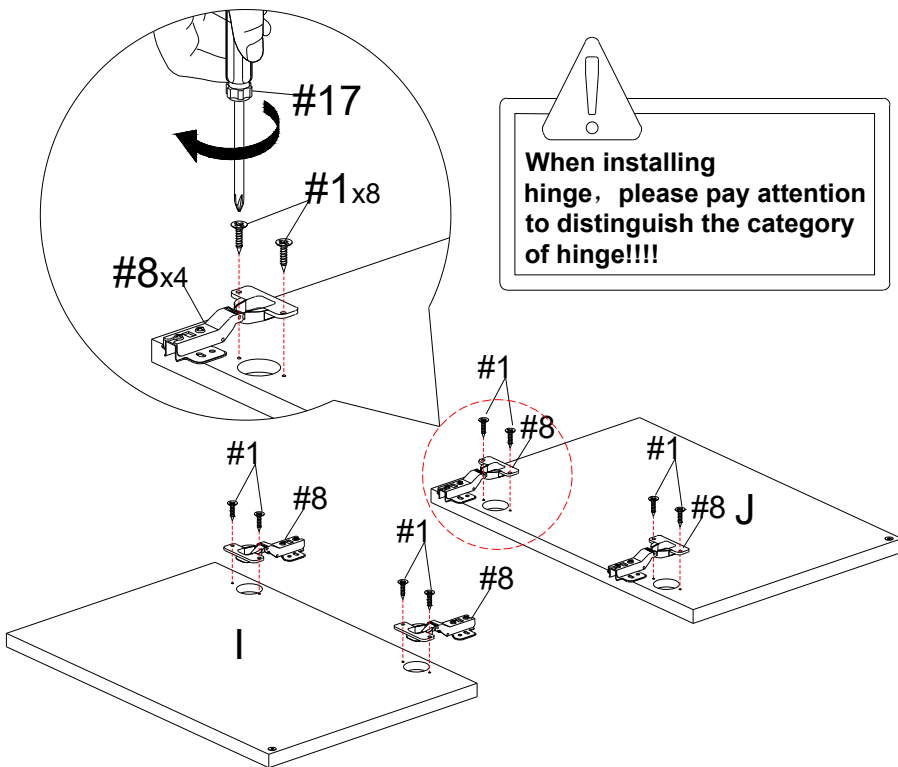


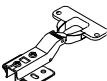

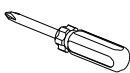
#1	x16	#17	x1
			
ø3.5*14mm*7#			

# ASSEMBLY INSTRUCTIONS

## STEP-13

Use screw #1 to attach hinge #8 to door (I)&(J),make sure all holes aligned and tighten screw #1 with screwdriver #17.

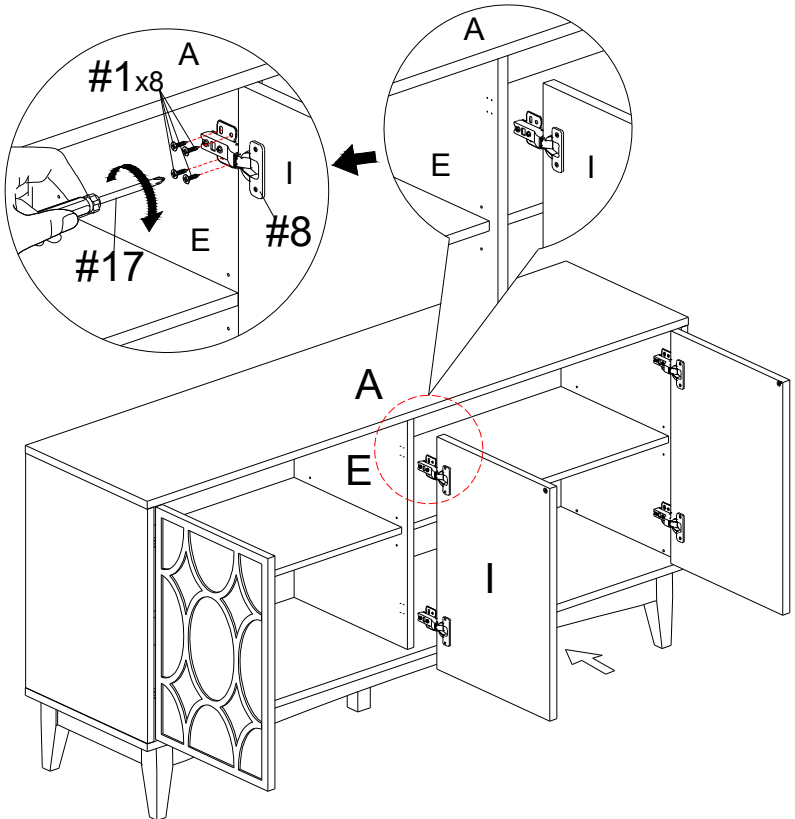



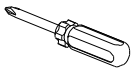
#8	x4	#1	x8	#17	x1
					
		ø3.5*14mm*7#			

# ASSEMBLY INSTRUCTIONS

## STEP-14

Move door (I) to corresponding position of middle vertical panel (E), make sure all holes aligned and use screw #1 to attach them, tighten screw #1 with screwdriver #17.

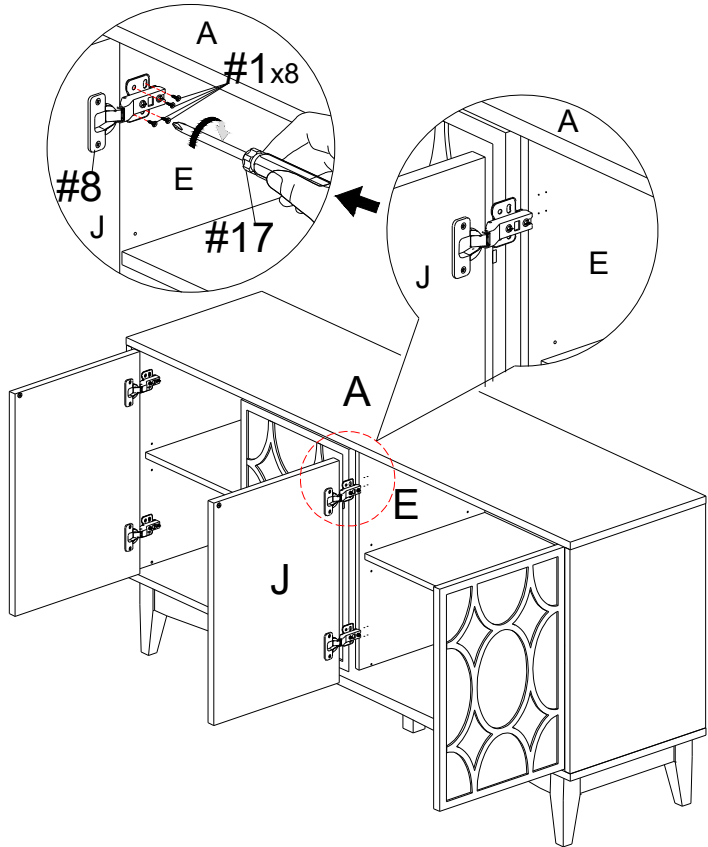



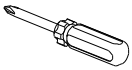
#1	x8	#17	x1
			
ø3.5*14mm*7#			

# ASSEMBLY INSTRUCTIONS

## STEP-15

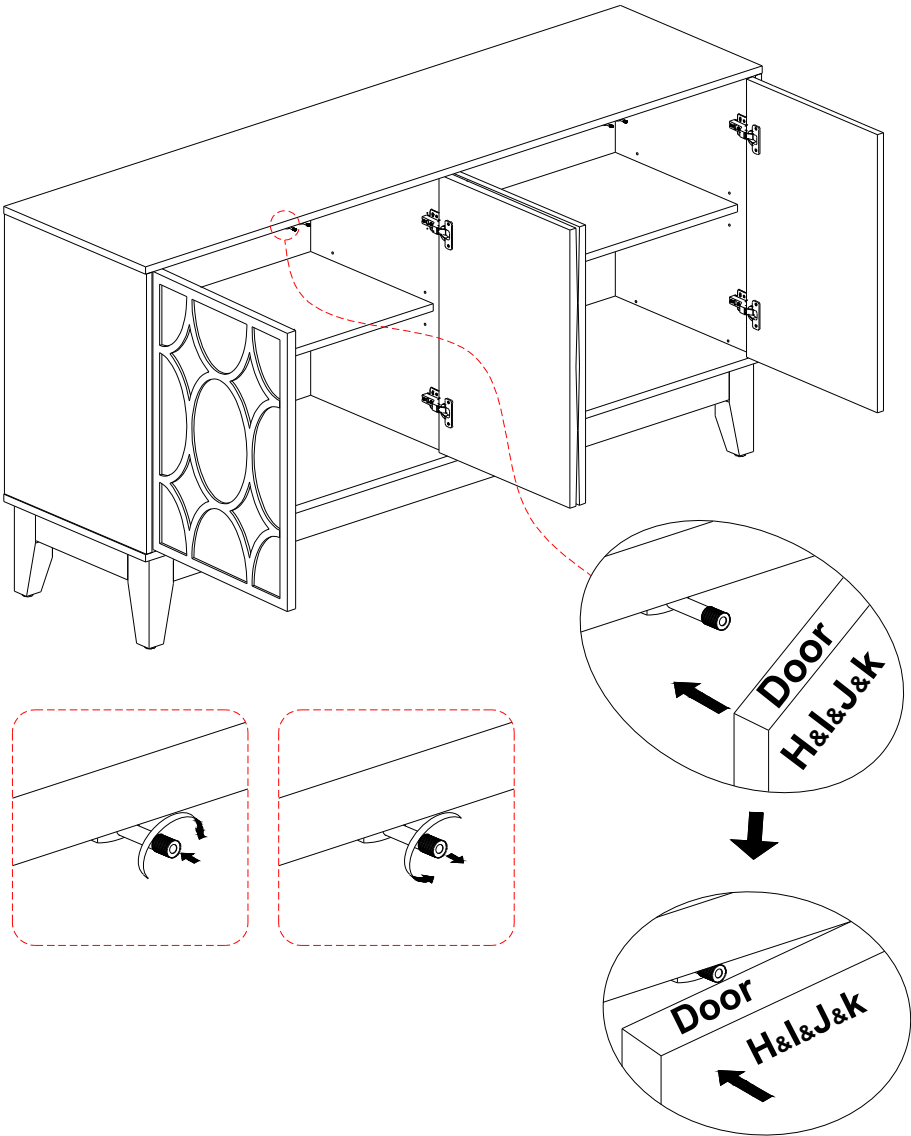
Move door (J) to corresponding position of middle vertical panel (E), make sure all holes aligned and use screw #1 to attach them, tighten screw #1 with screwdriver #17.



#1	x8	#17	x1
			
ø3.5*14mm*7#			

# ASSEMBLY INSTRUCTIONS

## STEP-16

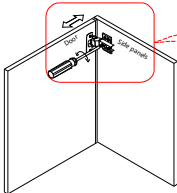


**Rebound adjustment method**

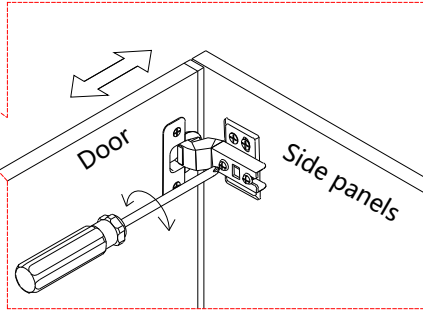
# ASSEMBLY INSTRUCTIONS

## STEP-17

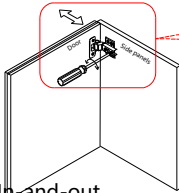
Concealed hinges are three-way adjustable:



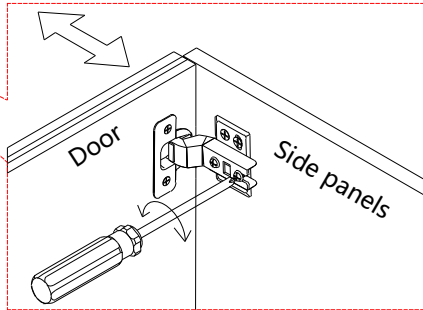
Horizontal  
by screw adjustment!



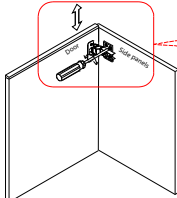
Concealed hinges are three-way adjustable:



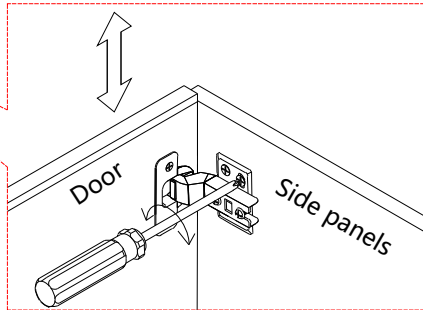
In-and-out  
by loosening the hinge arm  
mounting screw or via cam  
adjustment!



Concealed hinges are three-way adjustable:



Vertical via slots in  
the mounting plate  
or via cam  
adjustment!



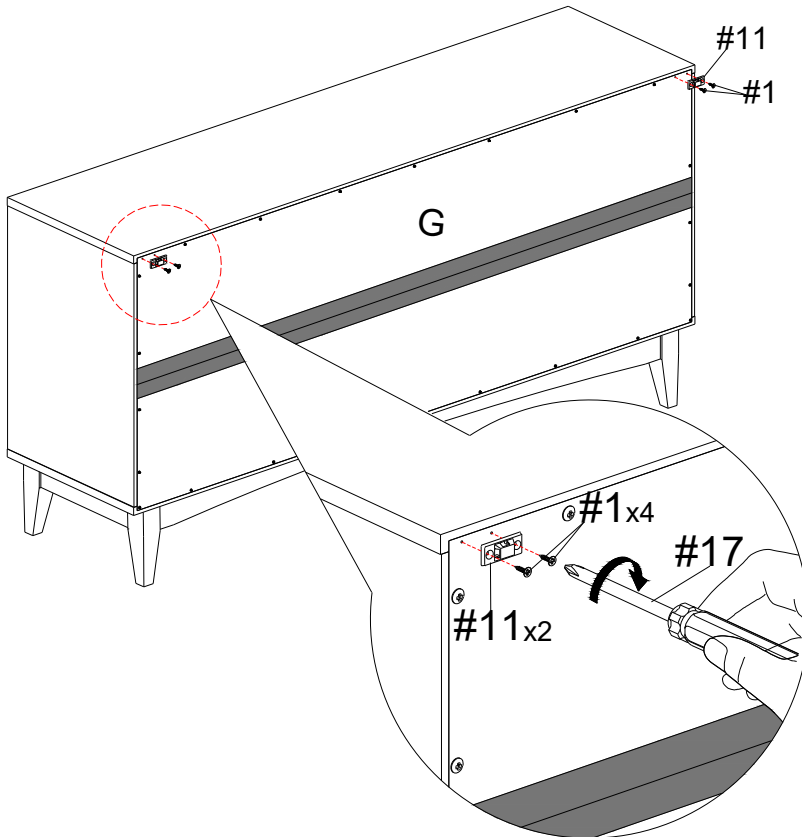
Video for door adjustment



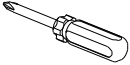
## Hinge adjustment method

# ASSEMBLY INSTRUCTIONS

## STEP-18

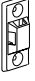


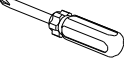
Use screw #1 to attach plastic part #11 to back panel (G), tighten screw #1 with screwdriver #17.



#11	x2	#1	x4	#17	x1
					
		ø3.5*14mm*7#			

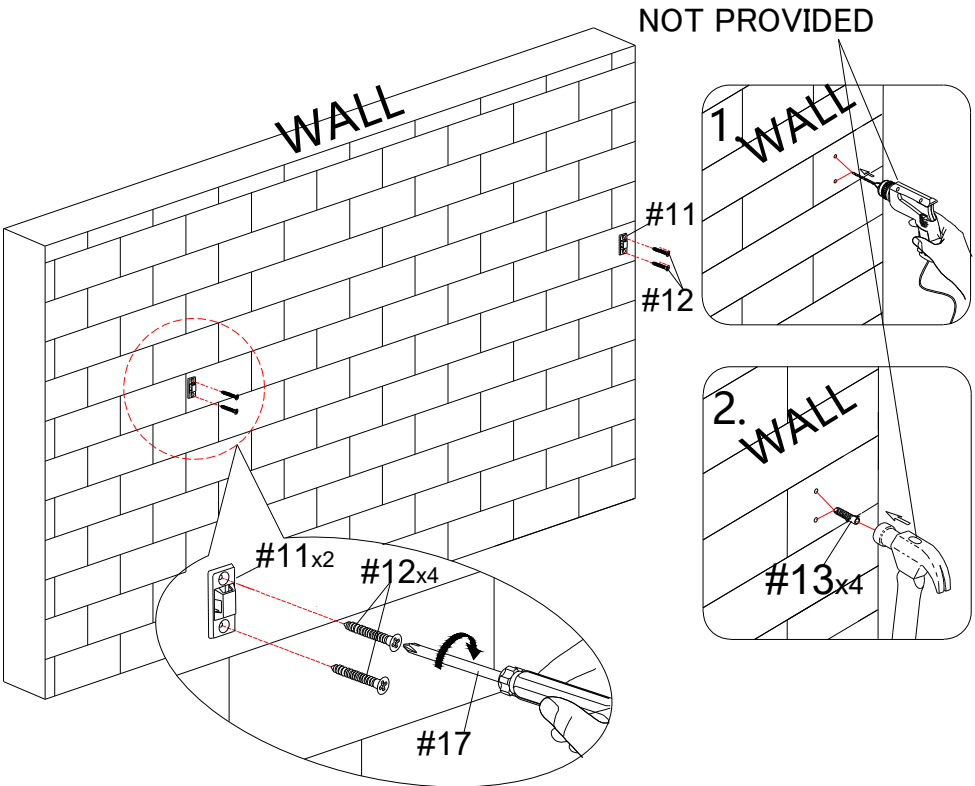


# ASSEMBLY INSTRUCTIONS

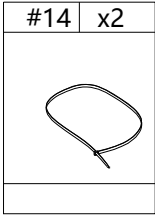
#11	x2	#12	x4	#13	x4	#17	x1
							
		Ø3*35mm*7#					

## STEP-19

1. Mark the position on the wall, that corresponds to the location of bracket #11 on the back panel (G); Drill and insert the expandable screw #13 by hammer.
2. Assemble the bracket #11 to the wall. Align the hole in the bracket #11 with the expandable screw #13, use screw #12 to attach it, tighten screw #12 with screwdriver #17

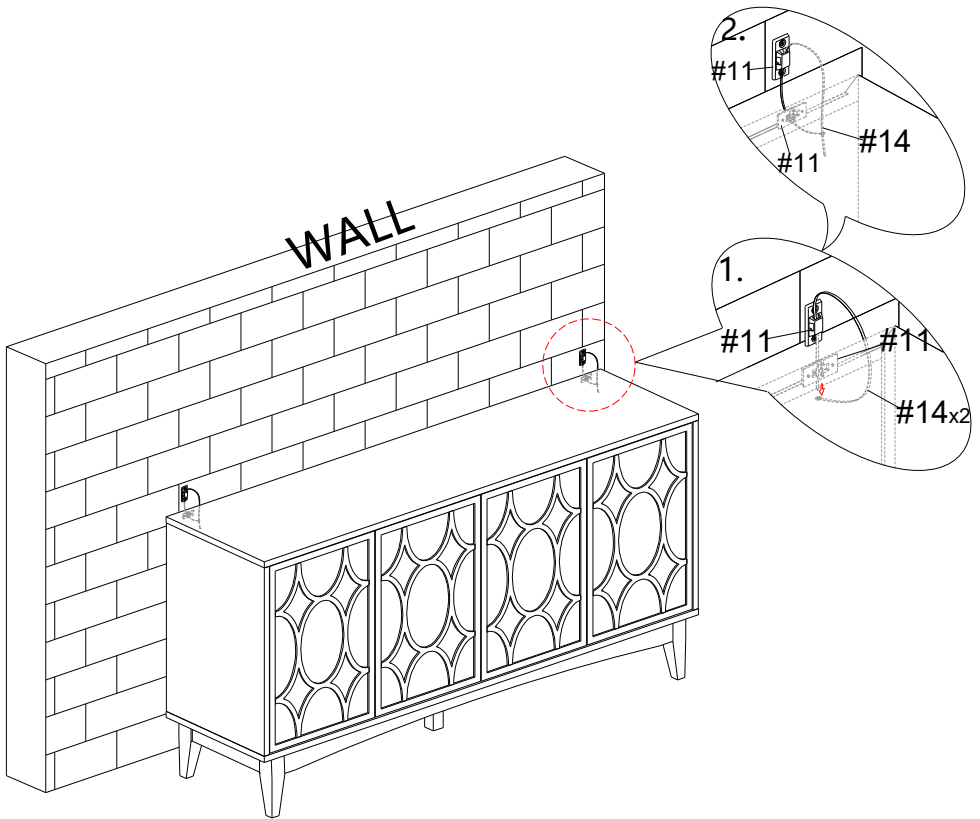


# ASSEMBLY INSTRUCTIONS



## STEP-20

3. Let the plastic belt #14 pass through bracket #11 and pull tightly.



# WARRANTY

1. We strive to offer high-quality products, and we also try our best to satisfy each and every customer that orders from us with product or service as needed.
2. We provide 30 days warranty starting from the time you receive the item. Each customer must provide a record of their order such as the order number, or item receipt for any items that are out of the warranty period you may also still receive.
3. Replacement parts by purchasing them with our company if they are available.

Are you having difficulty  
With assembly? Missing parts?  
Please send email with your order No to  
**[customerservice@hulalahome.com](mailto:customerservice@hulalahome.com)**  
For return, please check the return policy with  
the retailer or market place you bought from.

Appreciate your purchasing from us.  
Pop up your life by our furniture piece!