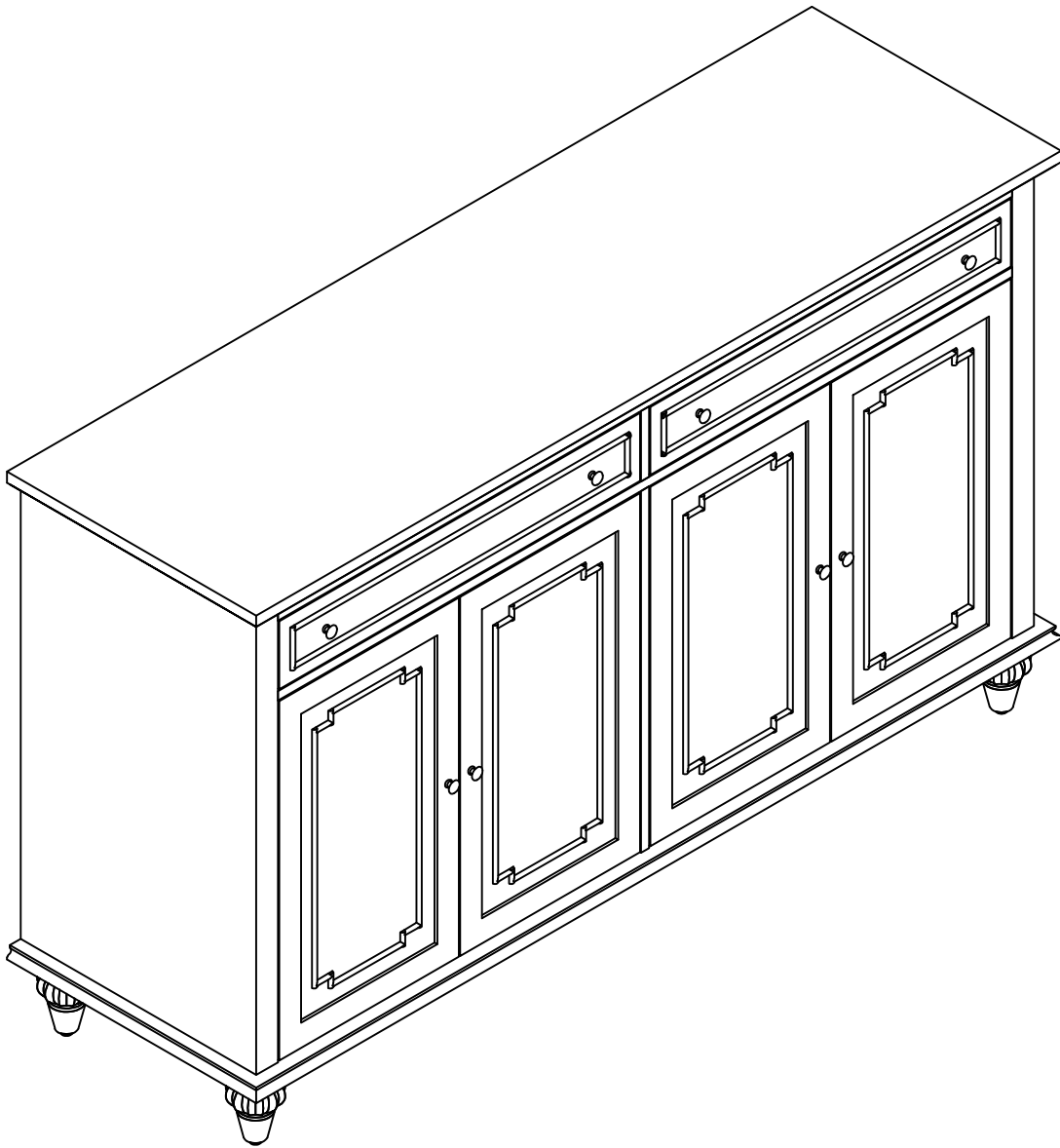


# HULALA

---

## H O M E



**ITEM NO.NSHM0888**

---

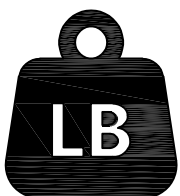
**NOTE:**

This brochure contains IMPORTANT safety info. Please read and keep for future reference.

---

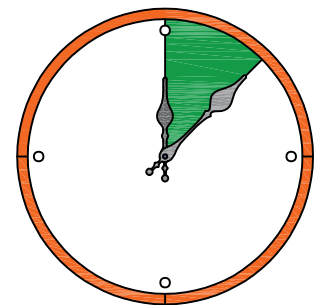
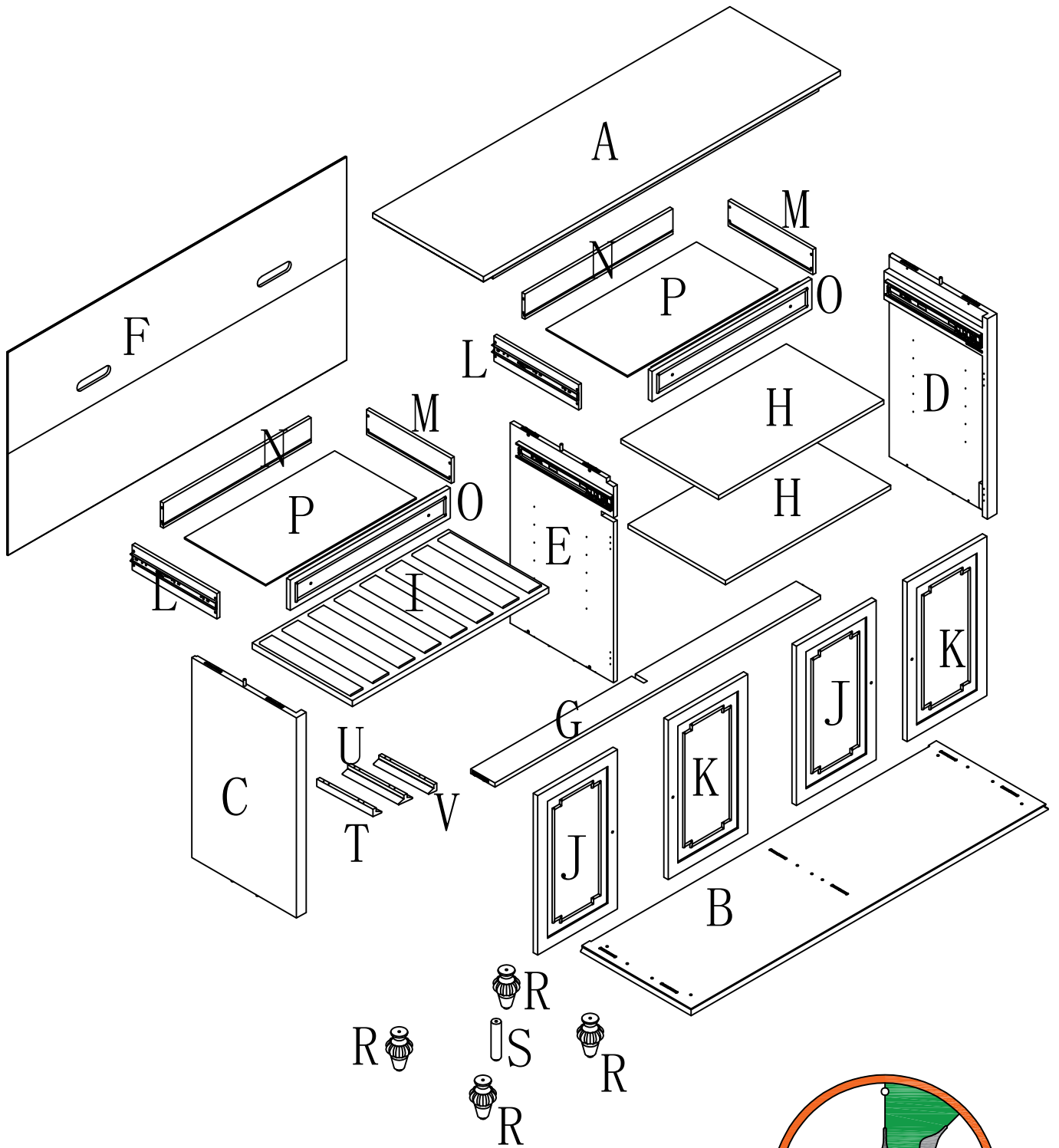
# MAINTAINANCE AND WARNING

- 1.Keep furniture away from heat sources.
- 2.Do not clean furniture with harsh cleaner or polishes.Do not use detergents,solvents,abrasives,spray packs or leather cleaner. Use non-color mild soa with warm water to clean spills(Mix 1:10 soap to water).
- 3.Do not place furniture under direct sunlight,material will possibly fade over time.
- 4.Do not use on site dry cleaning machine.Children should not climb or jump on the furniture.
- 5.Do not write on furniture that is not protectedby a padded barrier.
- 6.Not for commercial use,only for residential use.



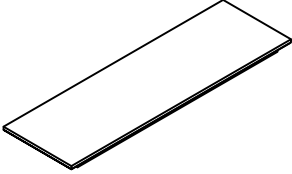
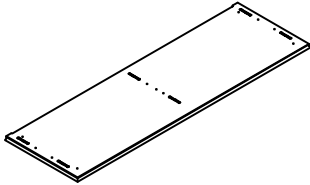
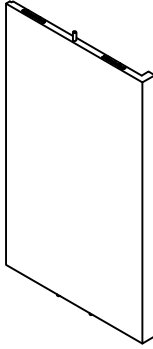
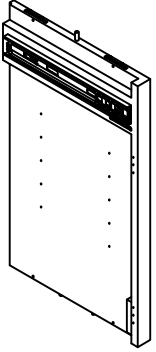
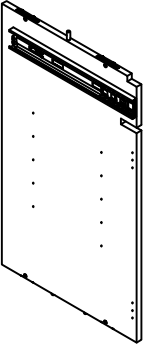
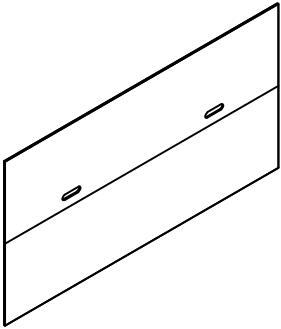
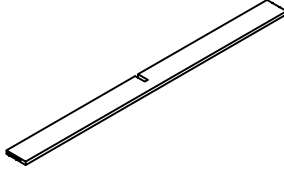
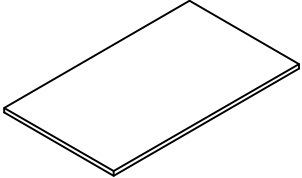
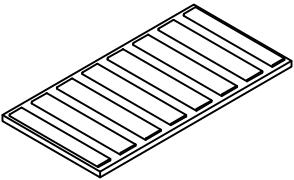
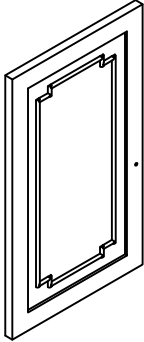
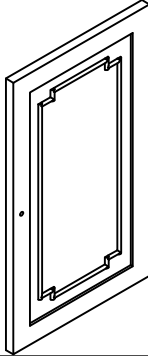
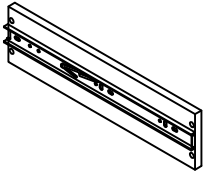
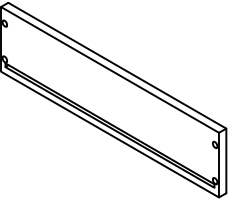
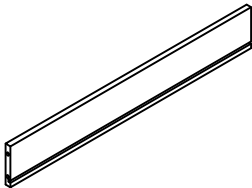
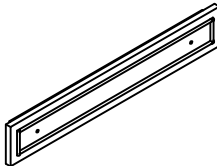
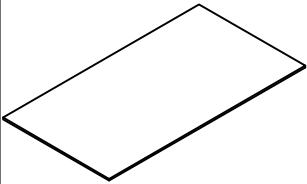
Weight Limitation  
**150 LBS**

# EXPLOSIVE VIEW

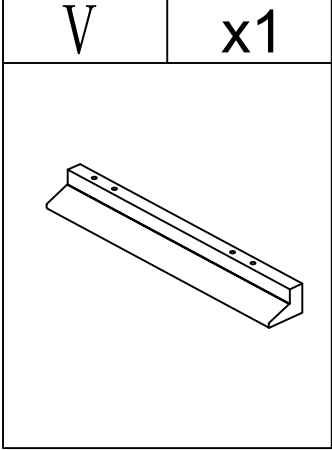
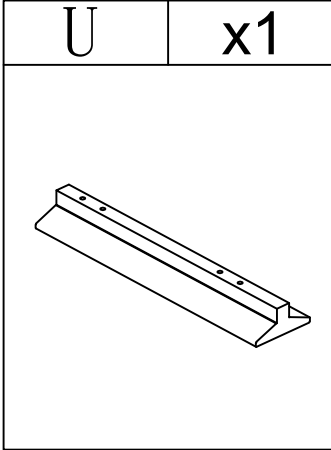
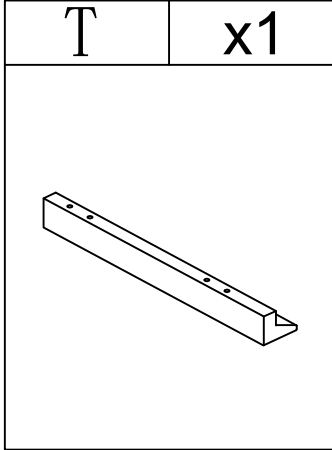
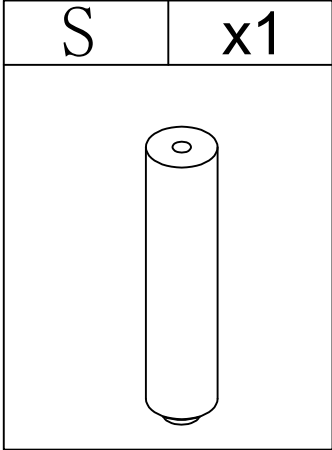
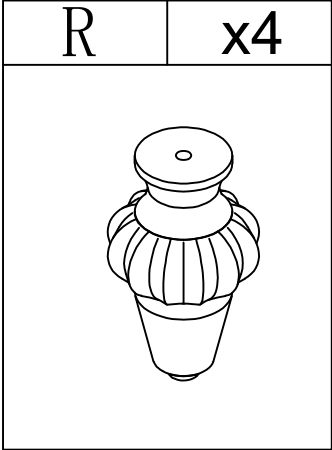


Around 75 min



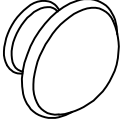
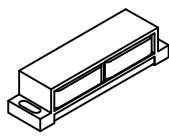
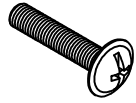
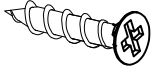

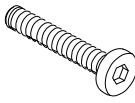
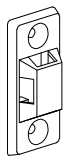
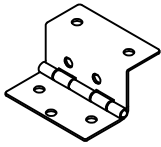





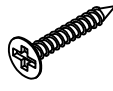
# PARTS LIST

|   |    |   |    |  |    |   |    |
|---|----|---|----|--|----|---|----|
| A   | x1 | B   | x1 | C  | x1 | D   | x1 |
|    |    |    |    |    |    |    |    |
| E   | x1 | F   | x1 | G  | x1 | H   | x2 |
|   |    |   |    |   |    |   |    |
| I   | x1 | J   | x2 | K  | x2 | L   | x2 |
|  |    |  |    |  |    |  |    |
| M   | x2 | N   | x2 | O  | x2 | P   | x1 |
|  |    |  |    |  |    |  |    |

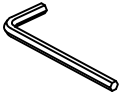
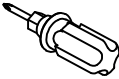

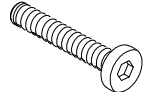
# PARTS LIST



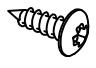
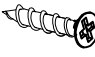


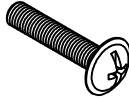

# HARDWARE LIST

|  |     |  |     |  |    |  |    |   |     |   |     |
|--|-----|--|-----|--|----|--|----|---|-----|---|-----|
| #1   | x32 | #2   | x12 | #3   | x8 | #4   | x2 | #5  | x8  | #6  | x16 |
|   |     |   |     |   |    |   |    |  |     |  |     |
| Ø3*14mm*7  |     |  |     |  |    |  |    | Ø5/32*1"  |     | Ø8mm*1"   |     |
| #7   | x9  | #8   | x5  | #10  | x4 | #11  | x8 | #12   | x56 | #13   | x6  |
|   |     |   |     |   |    |   |    |  |     |  |     |
| Ø8mm*2"  |     | Ø $\frac{1}{4}$ "*1-1/4"   |     |  |    |  |    | Ø3mm*15   |     | Ø8*30mm   |     |
| #14  | x4  | #15  | x4  | #16  | x2 | #17  | x4 |   |     |   |     |
|  |     |  |     |  |    |  |    |   |     |   |     |
|  |     | Ø3.5*35mm*7  |     |  |    | Ø3*16  |    |   |     |   |     |

# TOOL LIST

|   |    |   |    |   |    |   |    |
|---|----|---|----|---|----|---|----|
| #18   | x1 | #19   | x1 | #13   | x1 | #8  | x1 |
|  |    |  |    |  |    |  |    |
| M4  |    |   |    | Ø8*30mm   |    | Ø $\frac{1}{4}$ "*1-1/4"  |    |

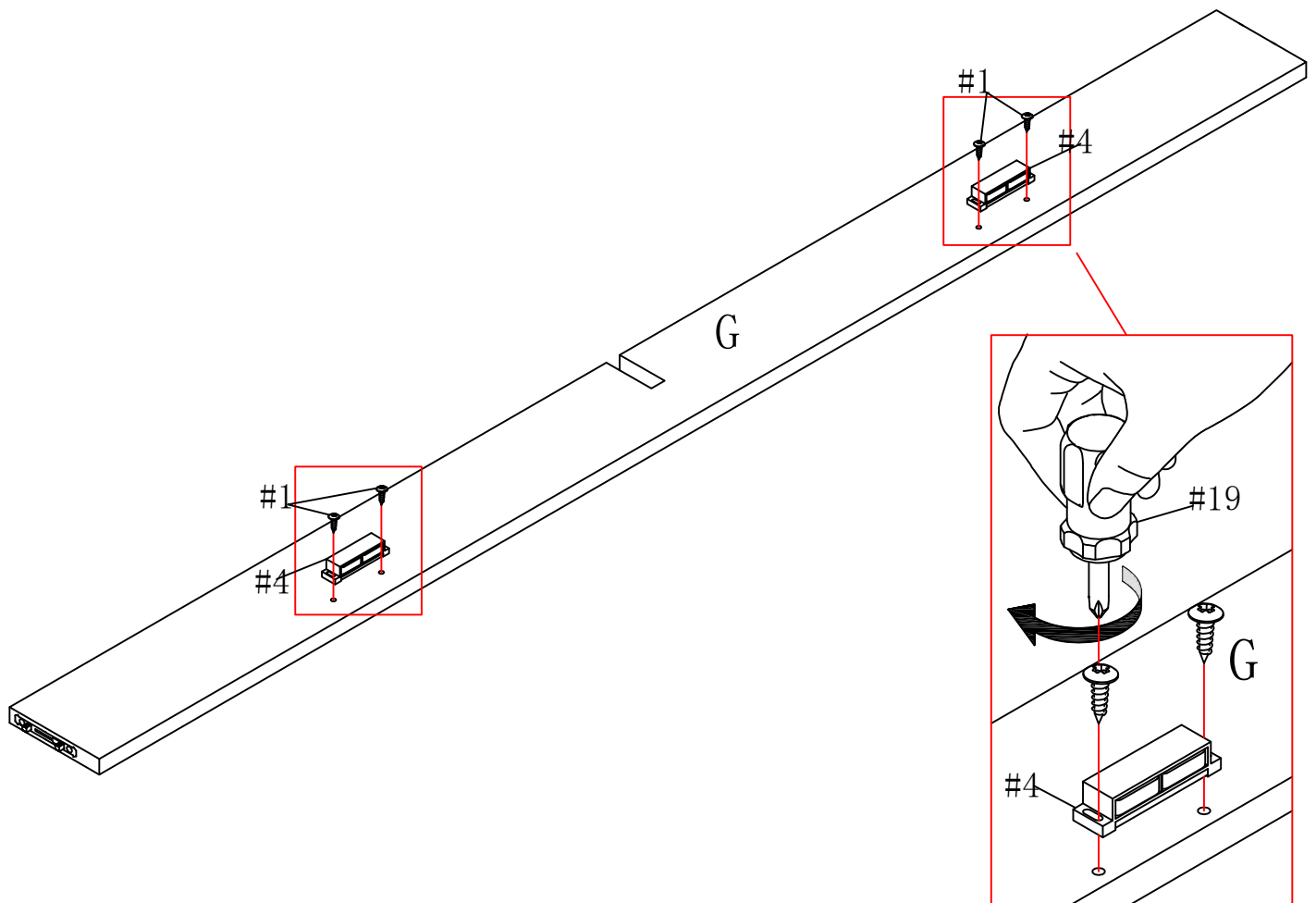
# HARDWARE SPARE LIST


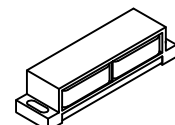
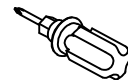
|   |    |   |    |   |    |   |    |   |    |   |       |
|---|----|---|----|---|----|---|----|---|----|---|-------|
| #1  | x3 | #6  | x2 | #12   | x5 | #2  | x1 | #5  | x1 | #7  | x1    |
|  |    |  |    |  |    |  |    |  |    |  |       |
|   |    |   |    |   |    |   |    | Ø5/32*1"  |    | Ø8mm*2"   | 06/28 |

# ASSEMBLY INSTRUCTIONS

## STEP-1

1. Use screw # 1 to attach magnetic catch #4 to the corresponding hole of panel (G), tighten screw with screwdriver #19.

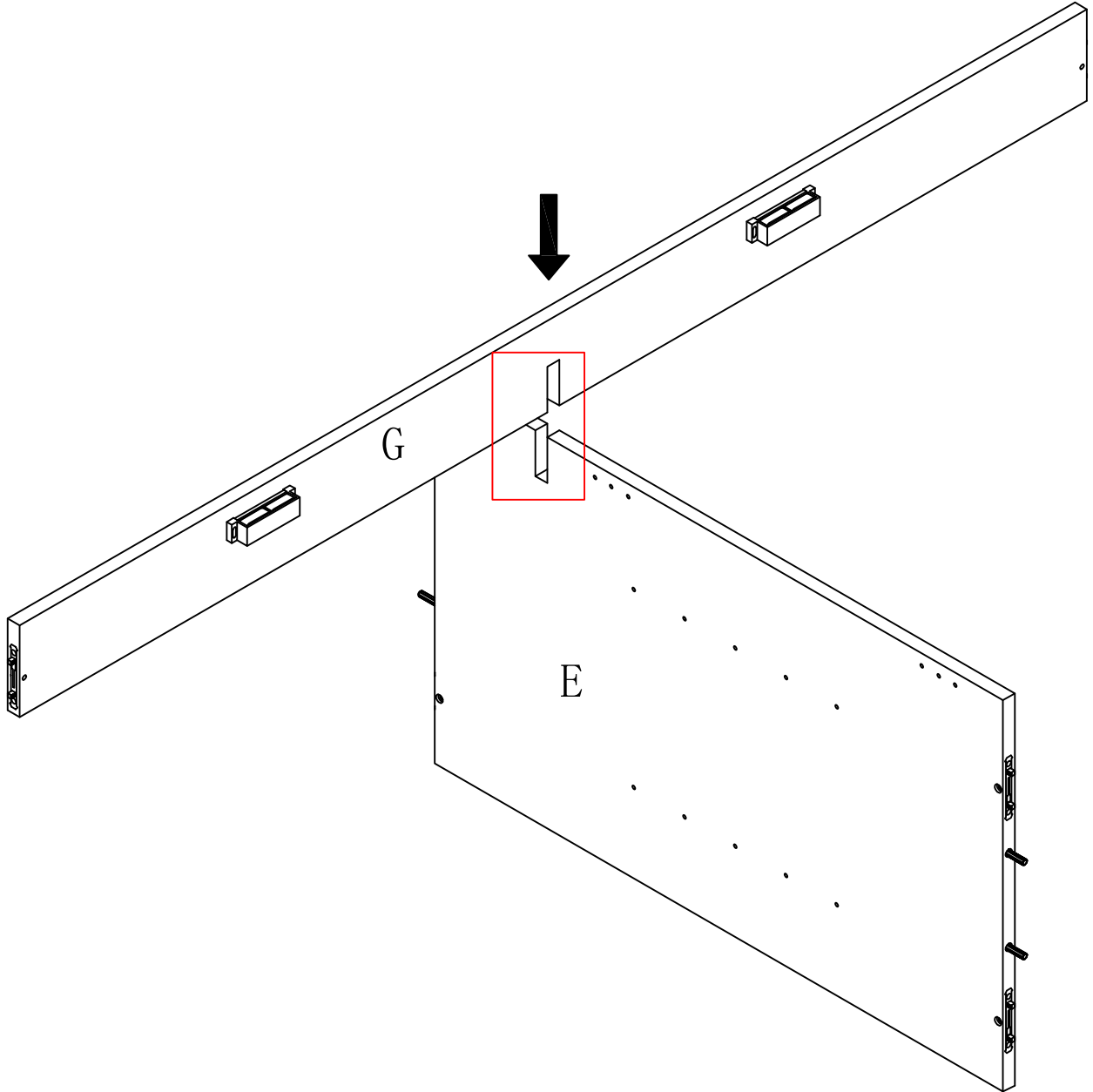


| #1  | x4 | #4  | x2 | #19   | x1 |
|---|----|---|----|---|----|
|  |    |  |    |  |    |
| Ø3*14mm*7   |    |   |    |   |    |

# ASSEMBLY INSTRUCTIONS

## STEP-2

1.Insert part (G) into part (E),as picture show .

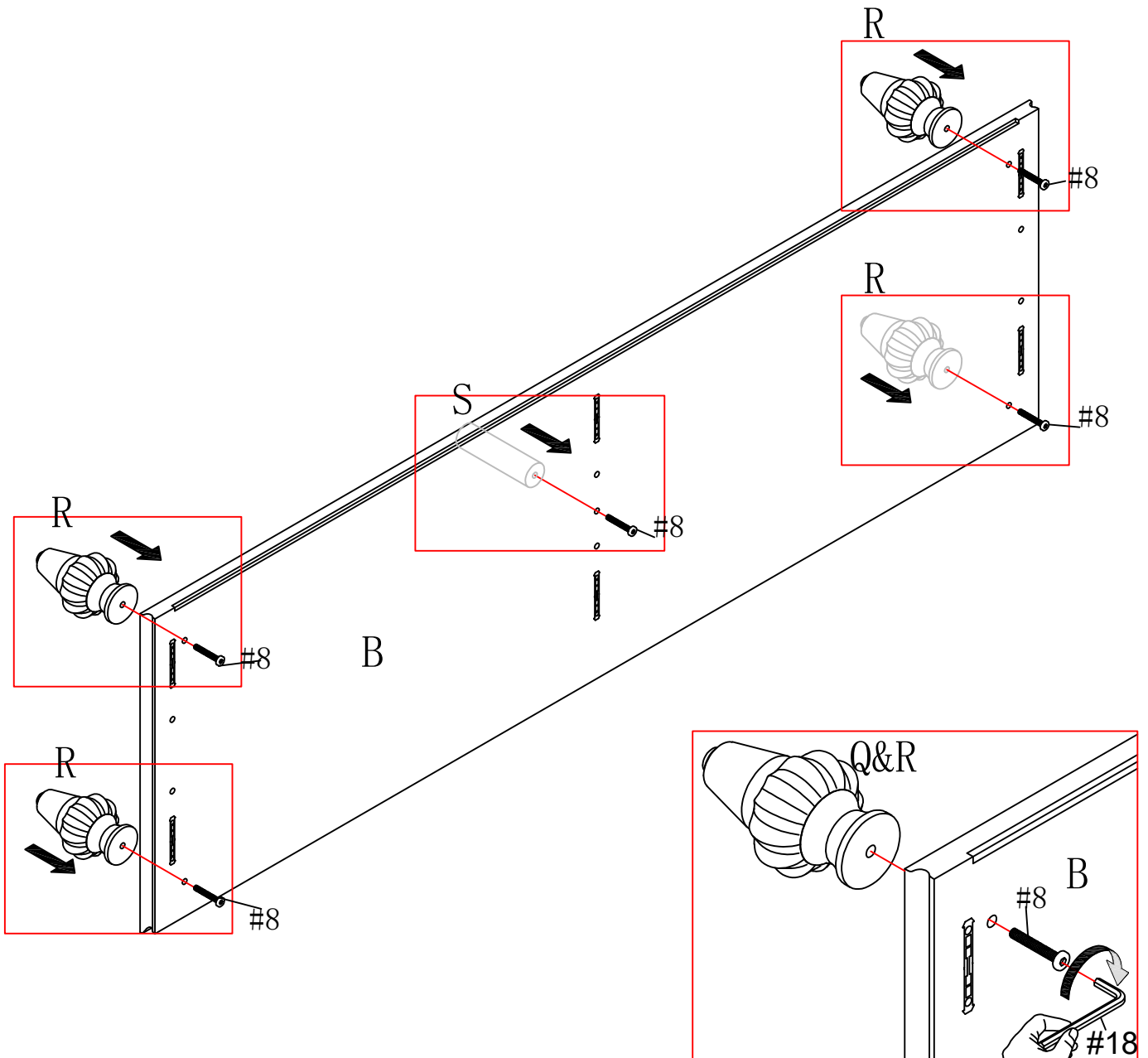


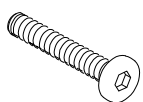


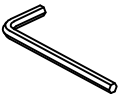
# ASSEMBLY INSTRUCTIONS

## STEP-3

Use screw #8 to attach the legs (R&S) to bottom panel (B),  
tighten screws with Allen key #18.



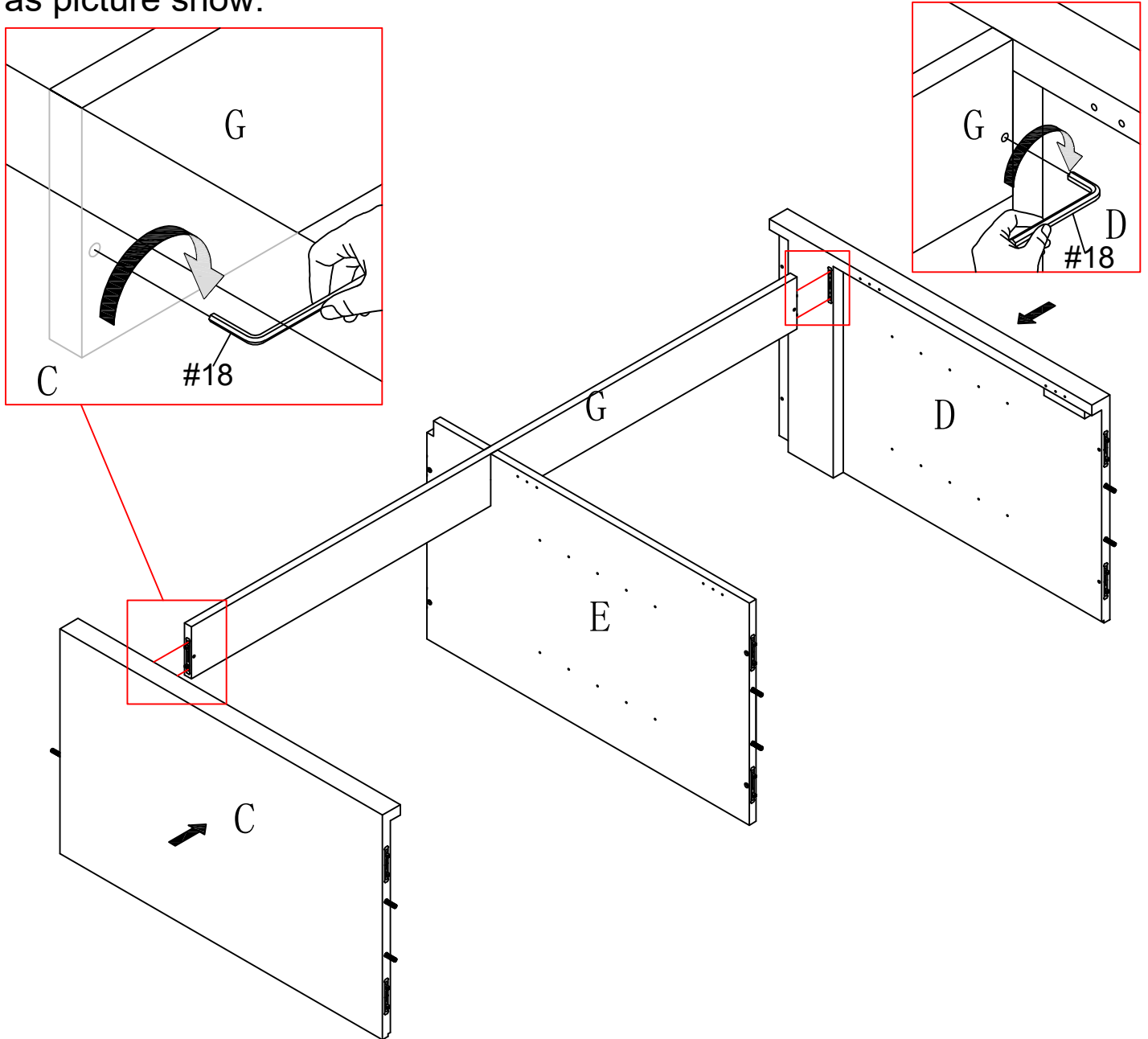
|   |    |
|---|----|
| #8  | x5 |
|  |    |
| Ø1/4*1-1/4  |    |

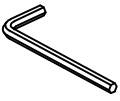
|   |    |
|---|----|
| #18   | x1 |
|  |    |
| M4  |    |

# ASSEMBLY INSTRUCTIONS

## STEP-4

1. Insert side panel (C&D) into the corresponding hole of preassembled step 2, make sure all holes aligned and use allen key #18 to tighten it as picture show.

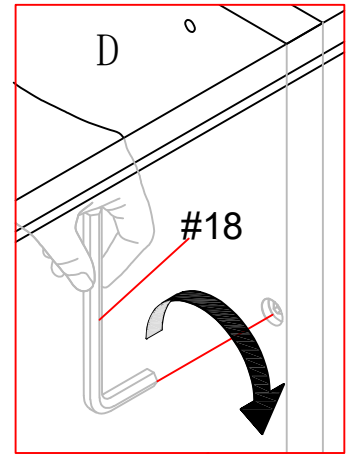
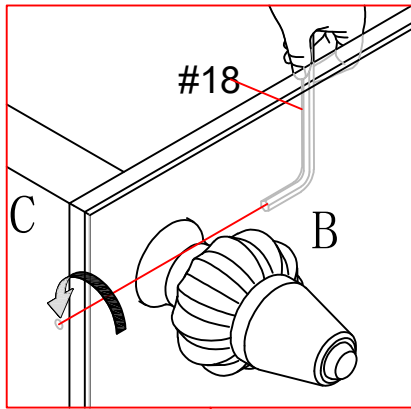
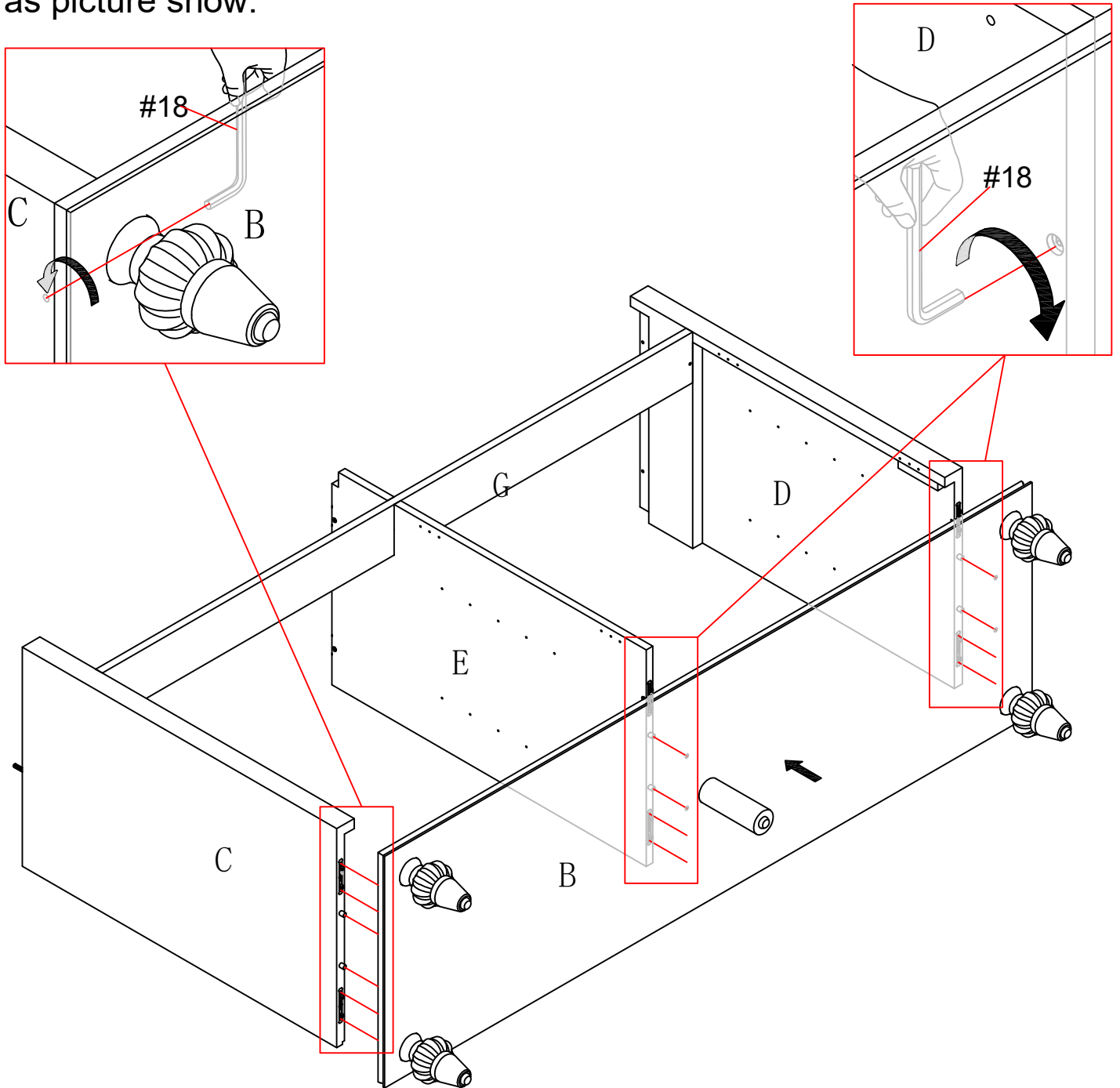



|   |    |
|---|----|
| #18   | x1 |
|  |    |
| M4  |    |

# ASSEMBLY INSTRUCTIONS

## STEP-5

1. Insert bottom panel (B) into the corresponding hole of preassembled step 4, make sure all holes aligned and use allen key #18 to tighten it as picture show.

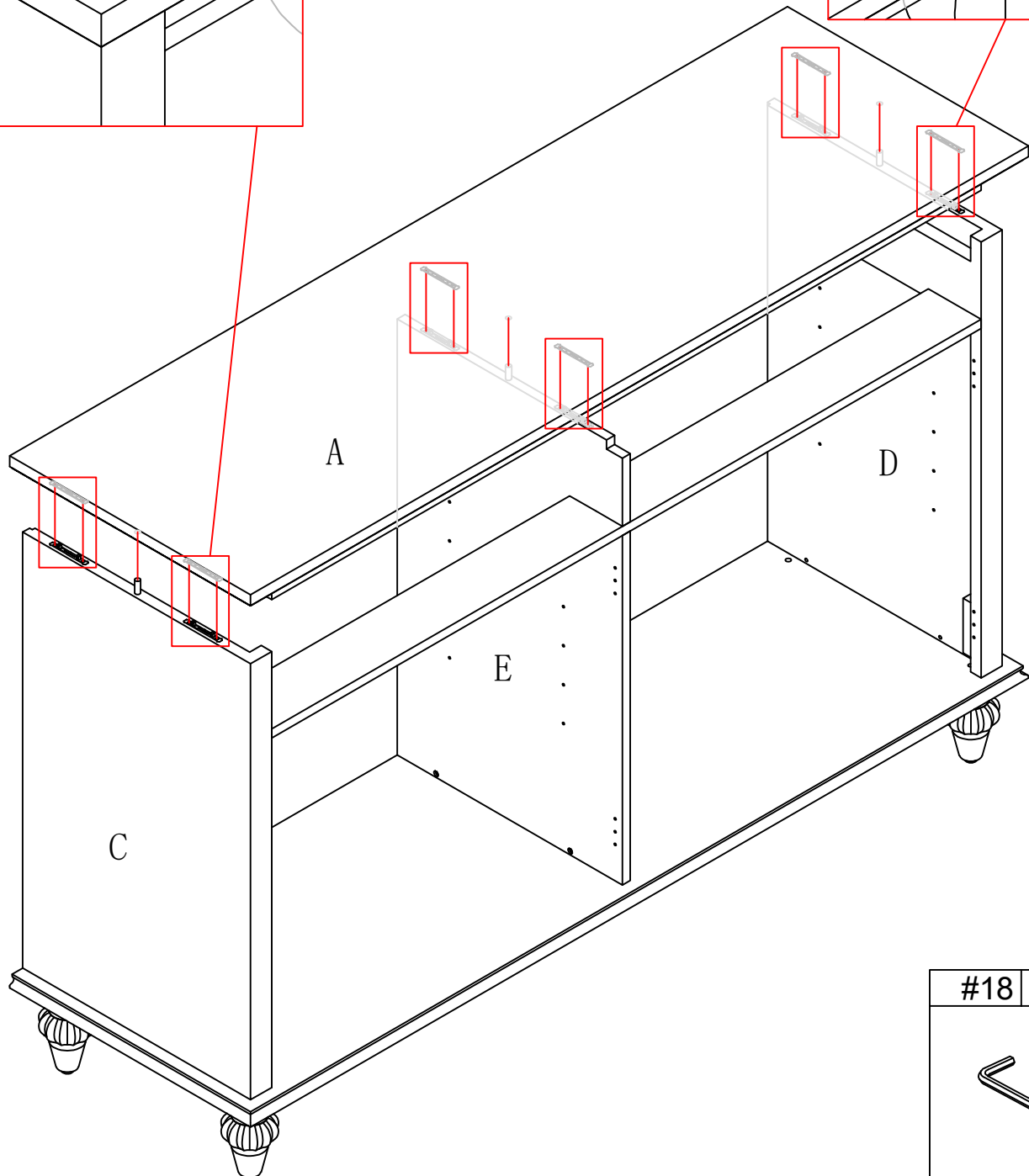
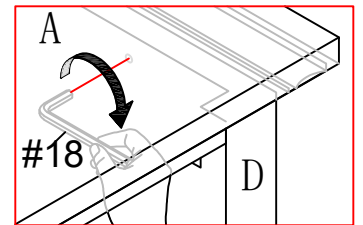
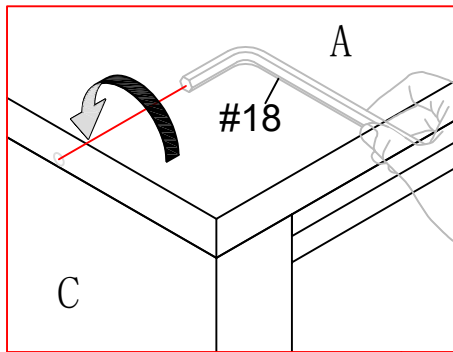


|   |    |
|---|----|
| #18   | x1 |
|  |    |
| M4  |    |

# ASSEMBLY INSTRUCTIONS

## STEP-6

1. Insert top panel(A) into the corresponding hole of preassembled step 5. make sure all holes aligned and use allen key#18 to tighten it as picture show.

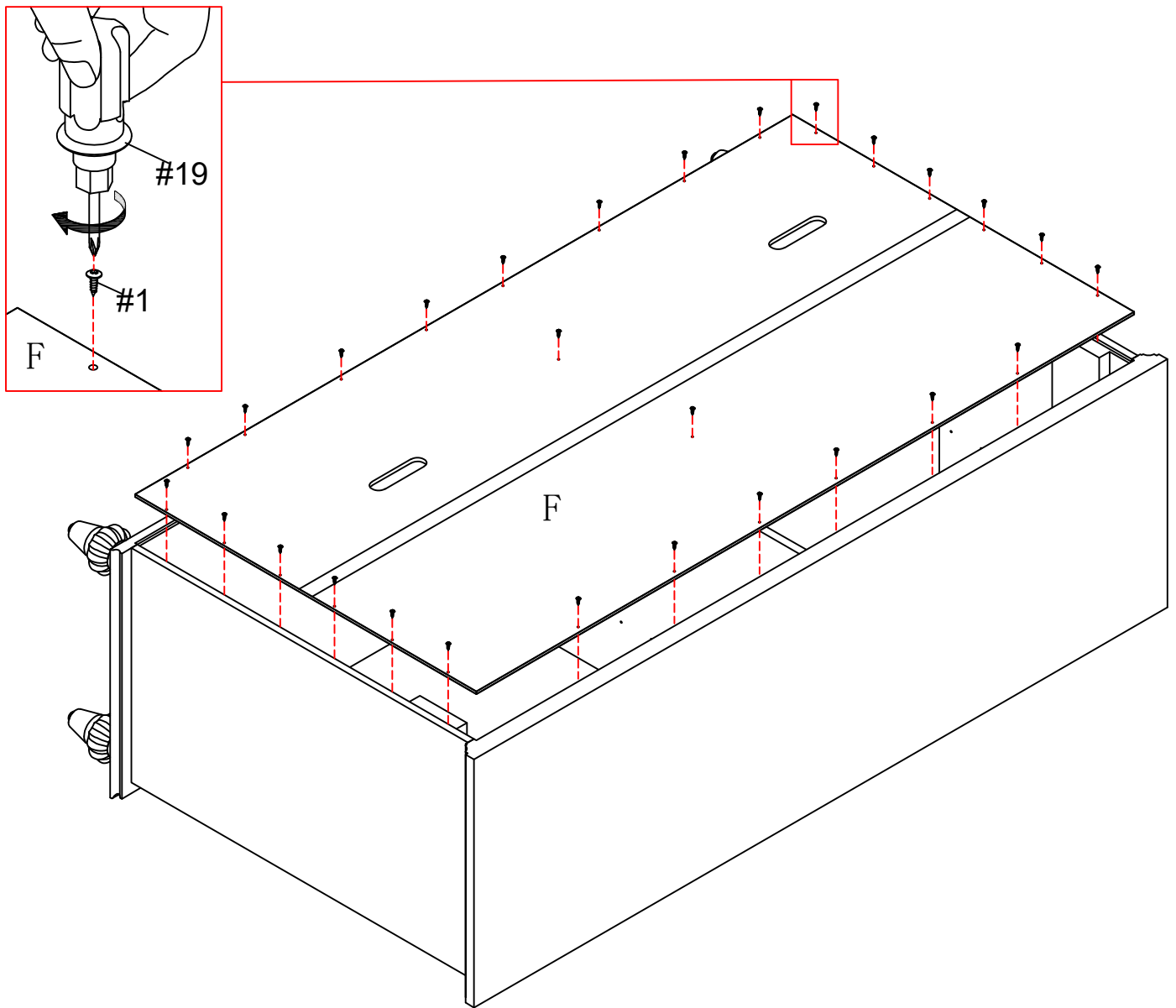



|     |    |
|-----|----|
| #18 | x1 |
|     |    |
| M4  |    |

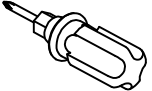
# ASSEMBLY INSTRUCTIONS

## STEP-7

1.insert back panel(F) into the groove of preassembled step 6,make sure all holes aligned and use screw#1 to attach them , tighten screw #1 with screwdriver#19.



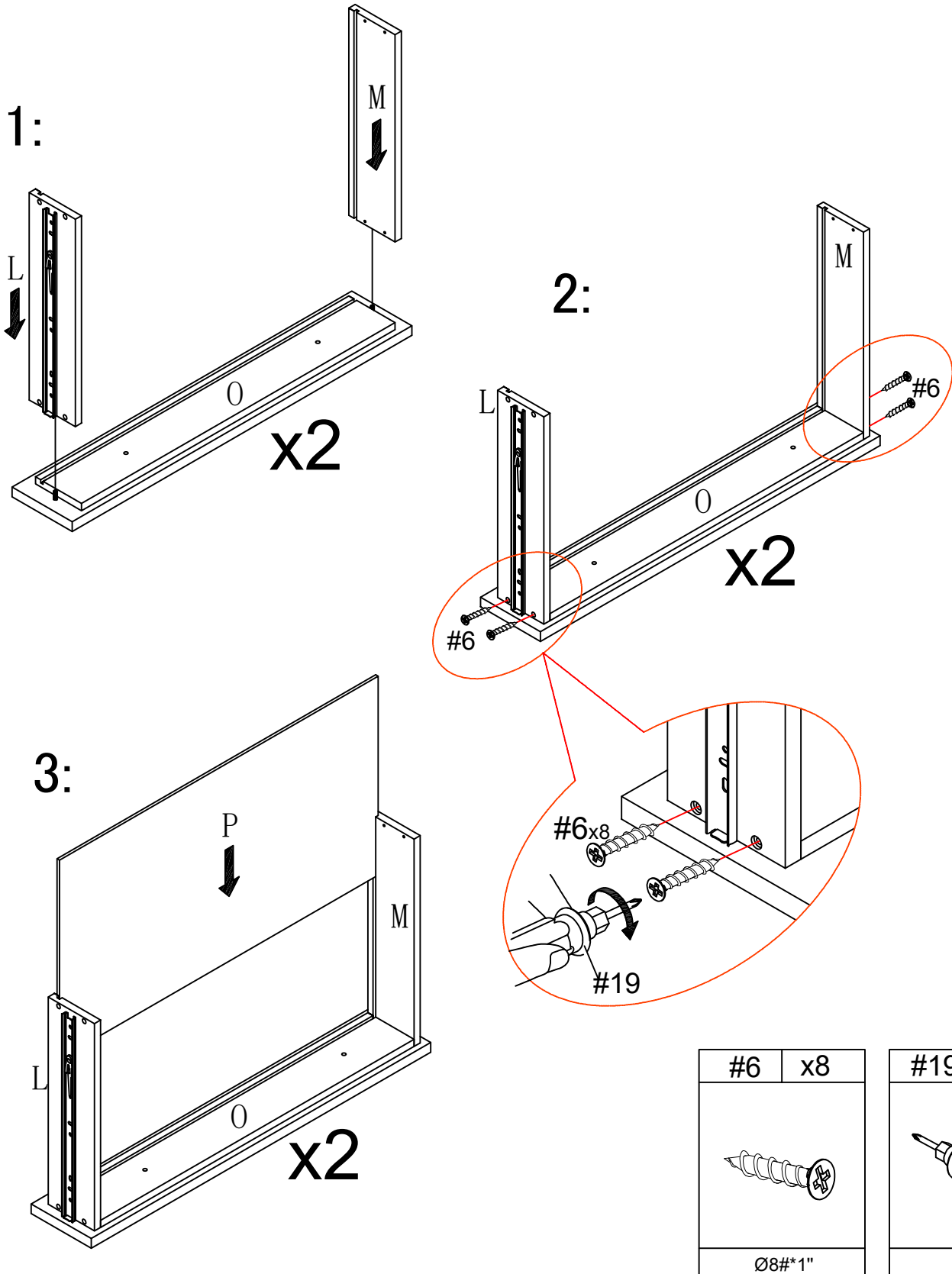
|   |     |
|---|-----|
| #1  | x28 |
|  |     |
| Ø3*14mm*7   |     |

|   |    |
|---|----|
| #19   | x1 |
|  |    |

# ASSEMBLY INSTRUCTIONS

## STEP-8

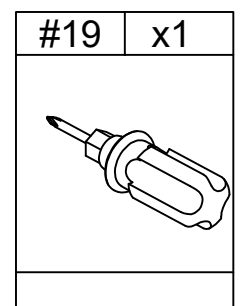
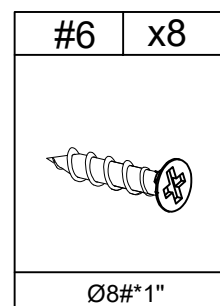
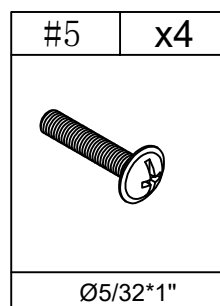
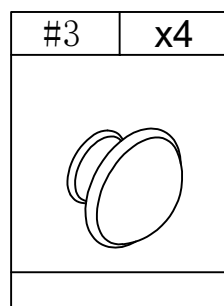
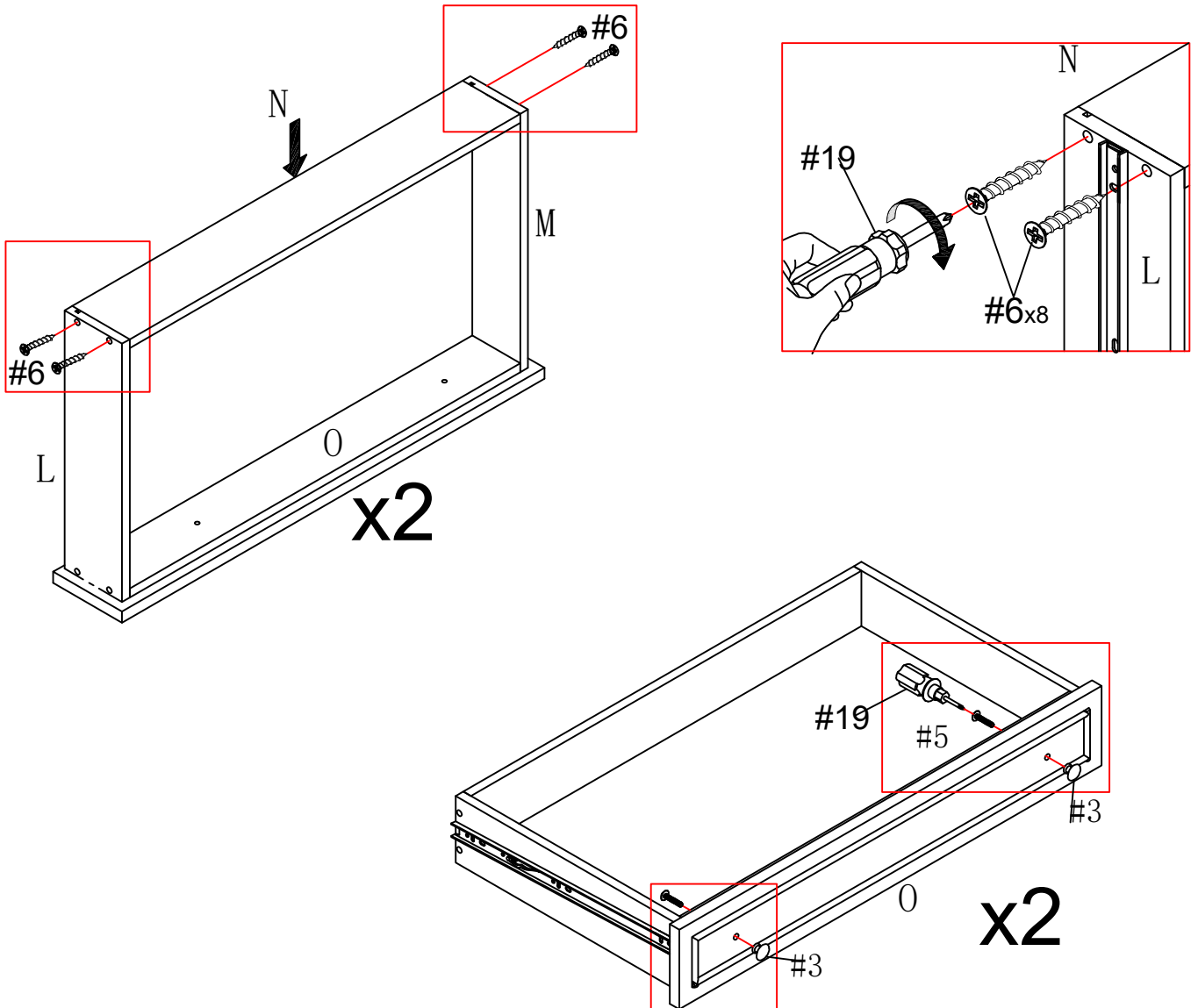
1. Connect part (L&M) to part (O) using screw (#6) and tighten it with screwdriver #19. Slide in the part (P) into the groove in part (L&M). make sure they are also in groove in part (O).



# ASSEMBLY INSTRUCTIONS

## STEP-9

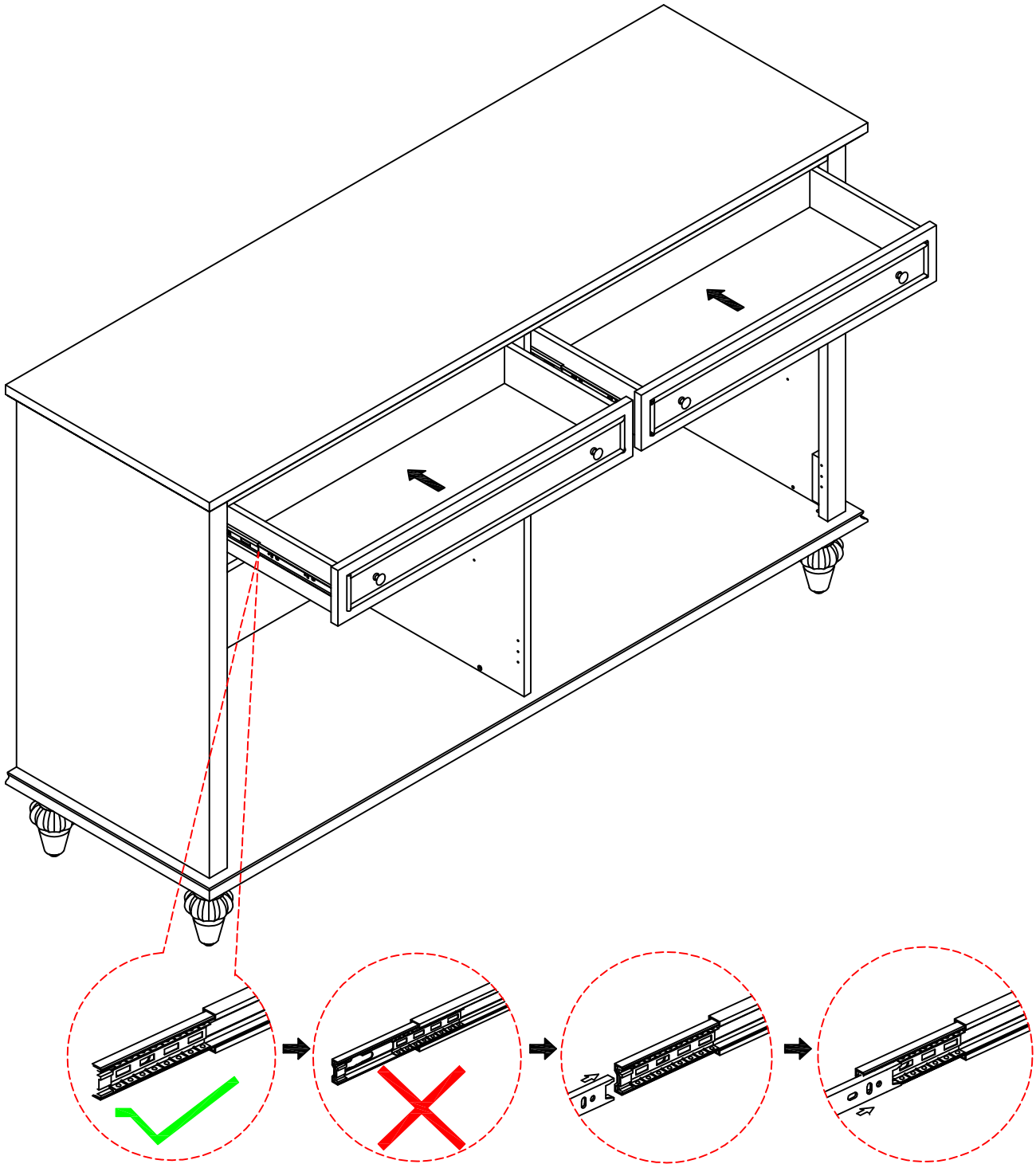
1. Connect part (L&M) to part (N) using screw #6 and tighten it with screwdriver #19.
2. Use screw # 5 to attach handle #3 to the corresponding hole of panel(N), tighten screw with screwdriver #19.



# ASSEMBLY INSTRUCTIONS

## STEP-10

1. Place the drawer to the rail.

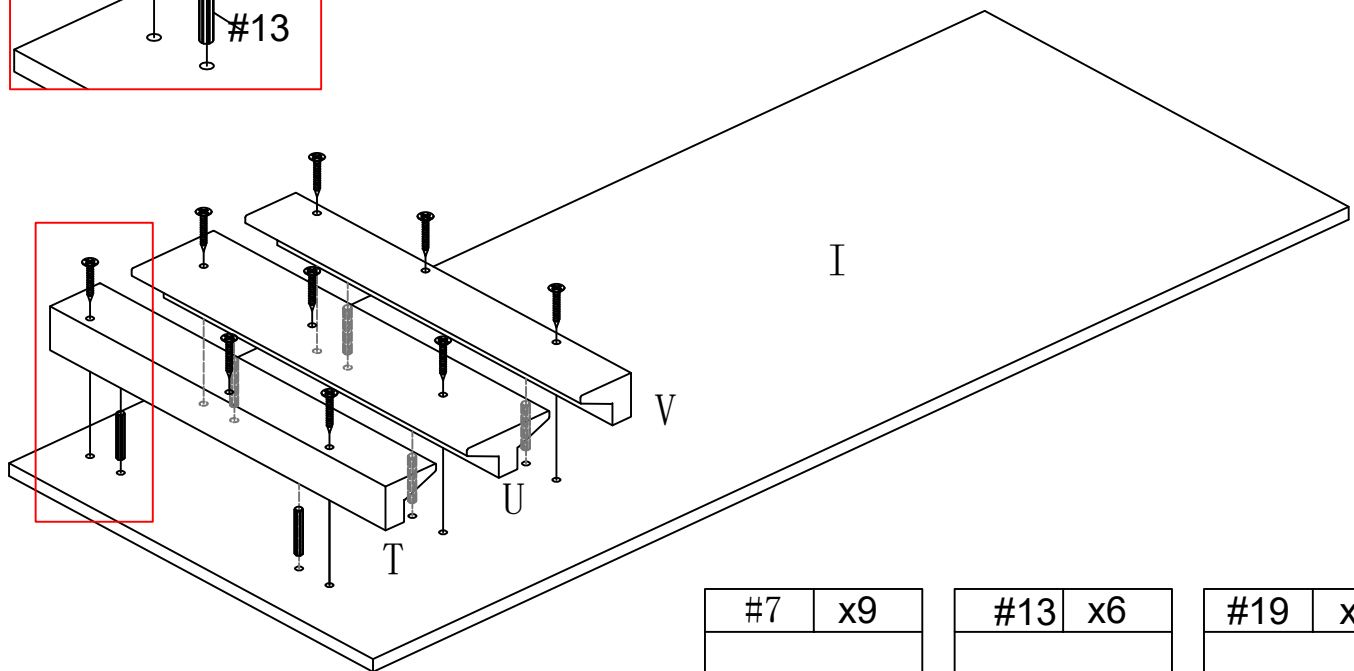
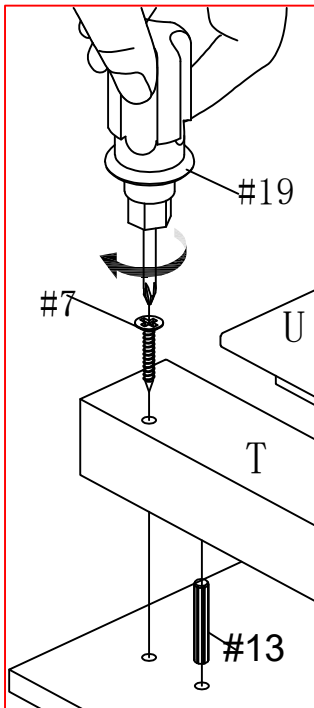






# ASSEMBLY INSTRUCTIONS

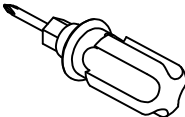
## STEP-11

1. Use screw #7 and wood dowel #13 to attach wine glass holder (T&U&V) to the corresponding hole of panel(I), tighten screw with screwdriver #19.



|   |    |
|---|----|
| #7  | x9 |
|  |    |
| Ø8mm*2"   |    |

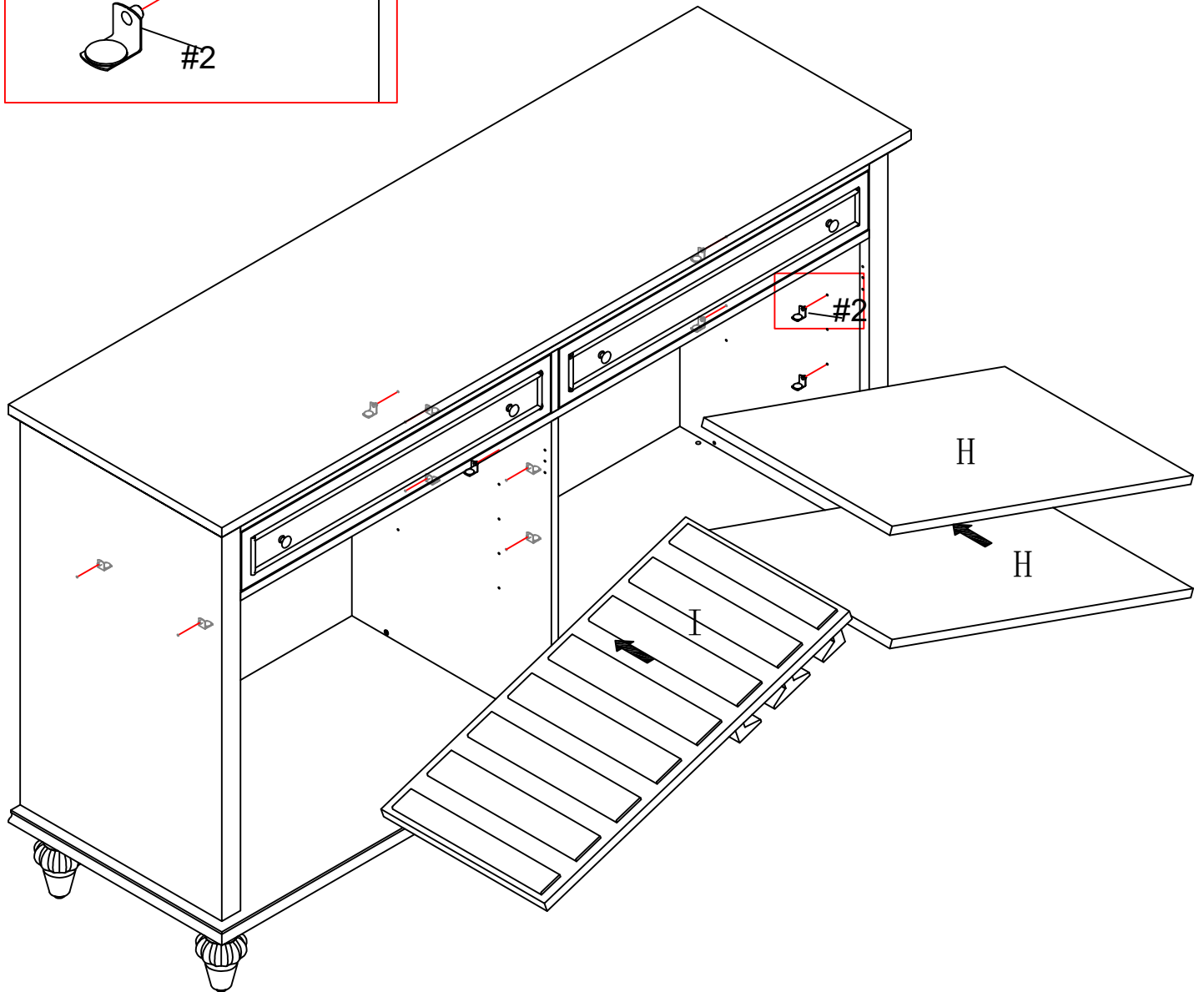
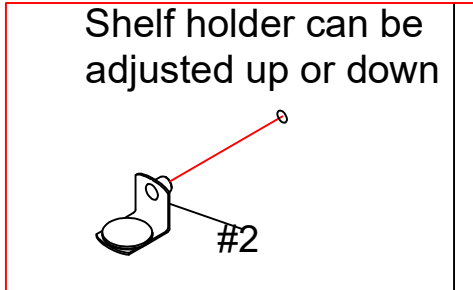
|   |    |
|---|----|
| #13   | x6 |
|  |    |
| Ø8*30mm   |    |


|   |    |
|---|----|
| #19   | x1 |
|  |    |

# ASSEMBLY INSTRUCTIONS

## STEP-12

1. Insert shelf holder #2 into the corresponding hole of panel (C)&(D)&(E) and then attach panel (H&I) to it.

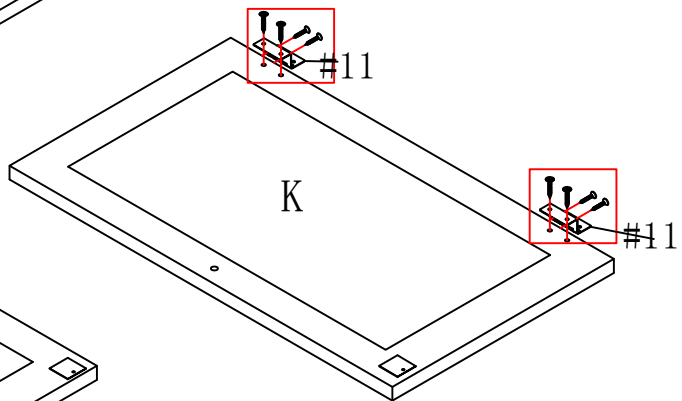
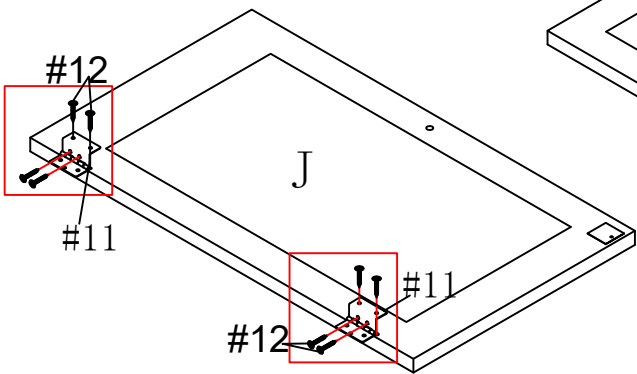
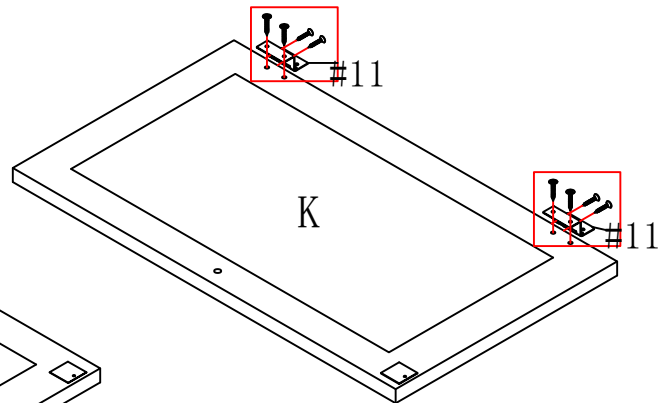
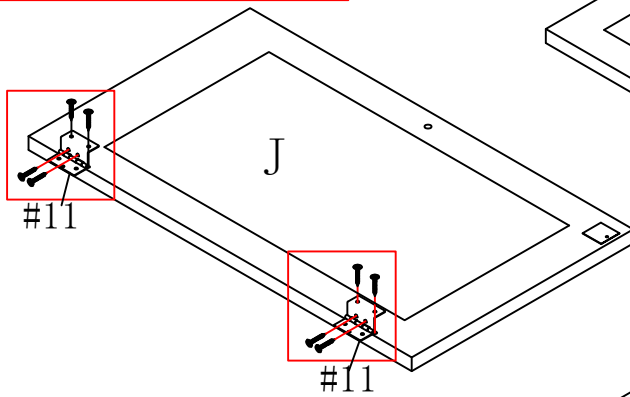
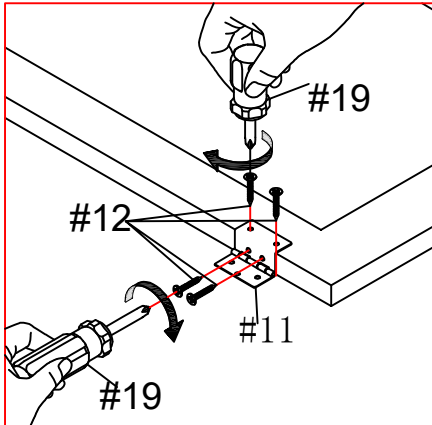


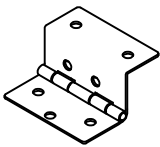

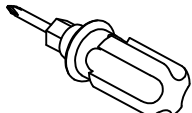
|   |     |
|---|-----|
| #2  | x12 |
|  |     |
| M4  |     |

# ASSEMBLY INSTRUCTIONS

## STEP-13

1. Use screw #12 to attach hinge #11 to the corresponding hole of panel(J&K), tighten screw with screwdriver #19.

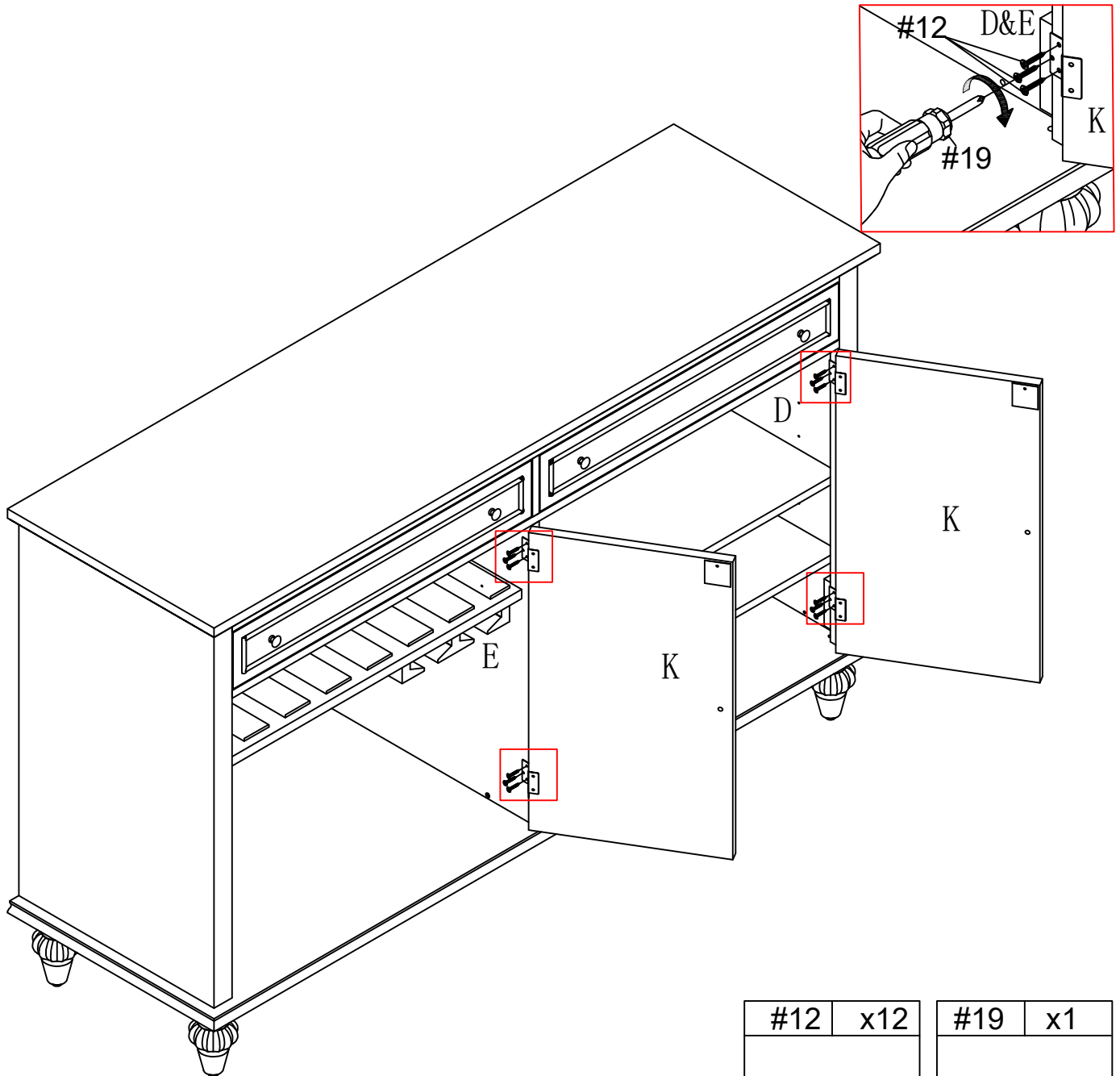



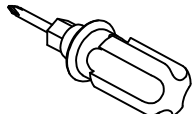
| #11   | x8 | #12   | x32 | #19   | x1 |
|---|----|---|-----|---|----|
|  |    |  |     |  |    |
|   |    | Ø3mm*15   |     |   |    |

# ASSEMBLY INSTRUCTIONS

## STEP-14

1. Move door (K) to corresponding position of side panel (E)&(D), make sure all holes aligned and use screw #12 to attach them, tighten screw #12 with screwdriver #19.

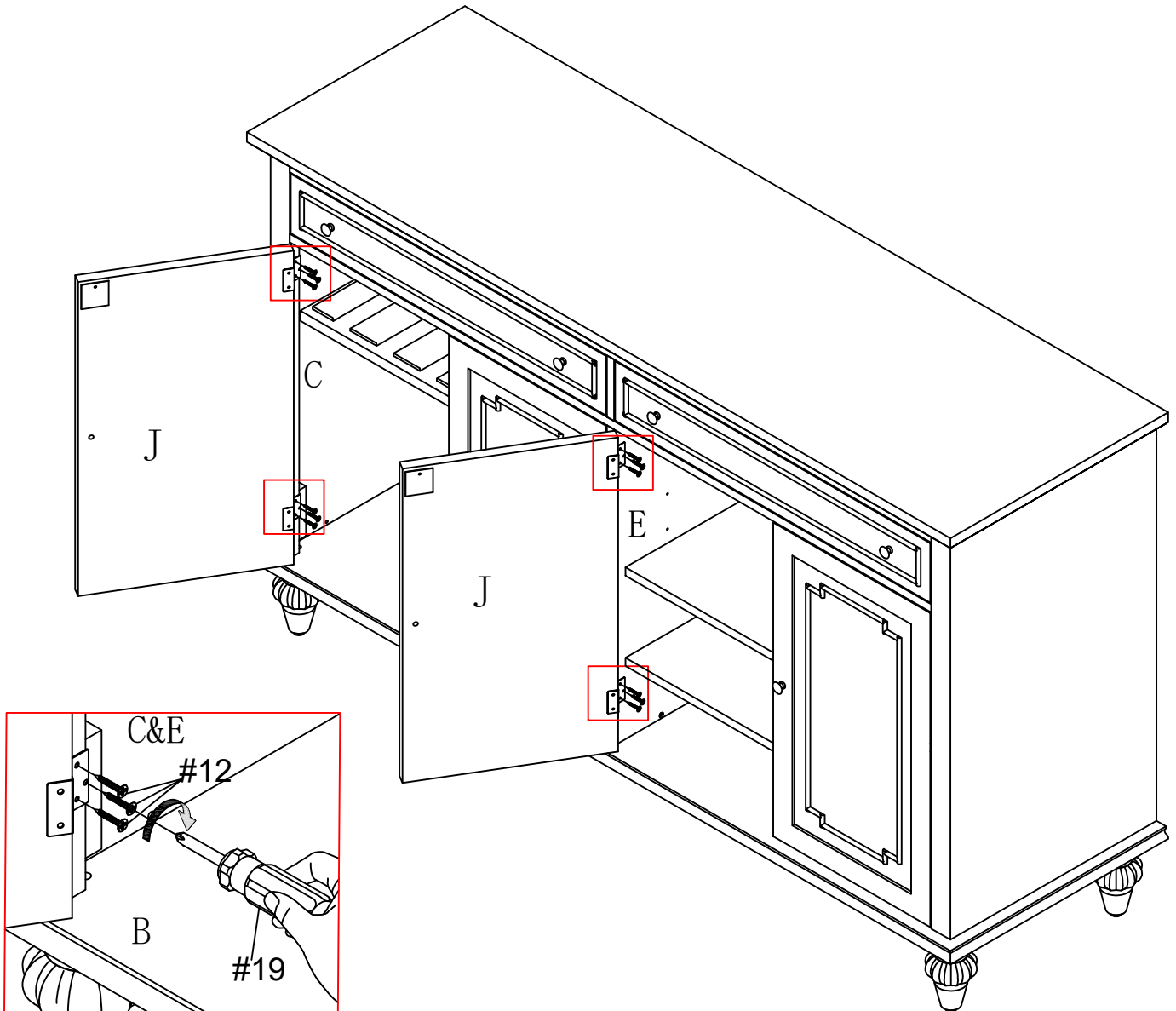


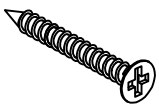
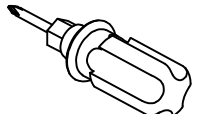
|   |     |   |    |
|---|-----|---|----|
| #12   | x12 | #19   | x1 |
|  |     |  |    |
| Ø3mm*15   |     |   |    |

# ASSEMBLY INSTRUCTIONS

## STEP-15

1. Move door (J) to corresponding position of side panel (E)&(C), make sure all holes aligned and use screw #12 to attach them, tighten screw #12 with screwdriver #19.

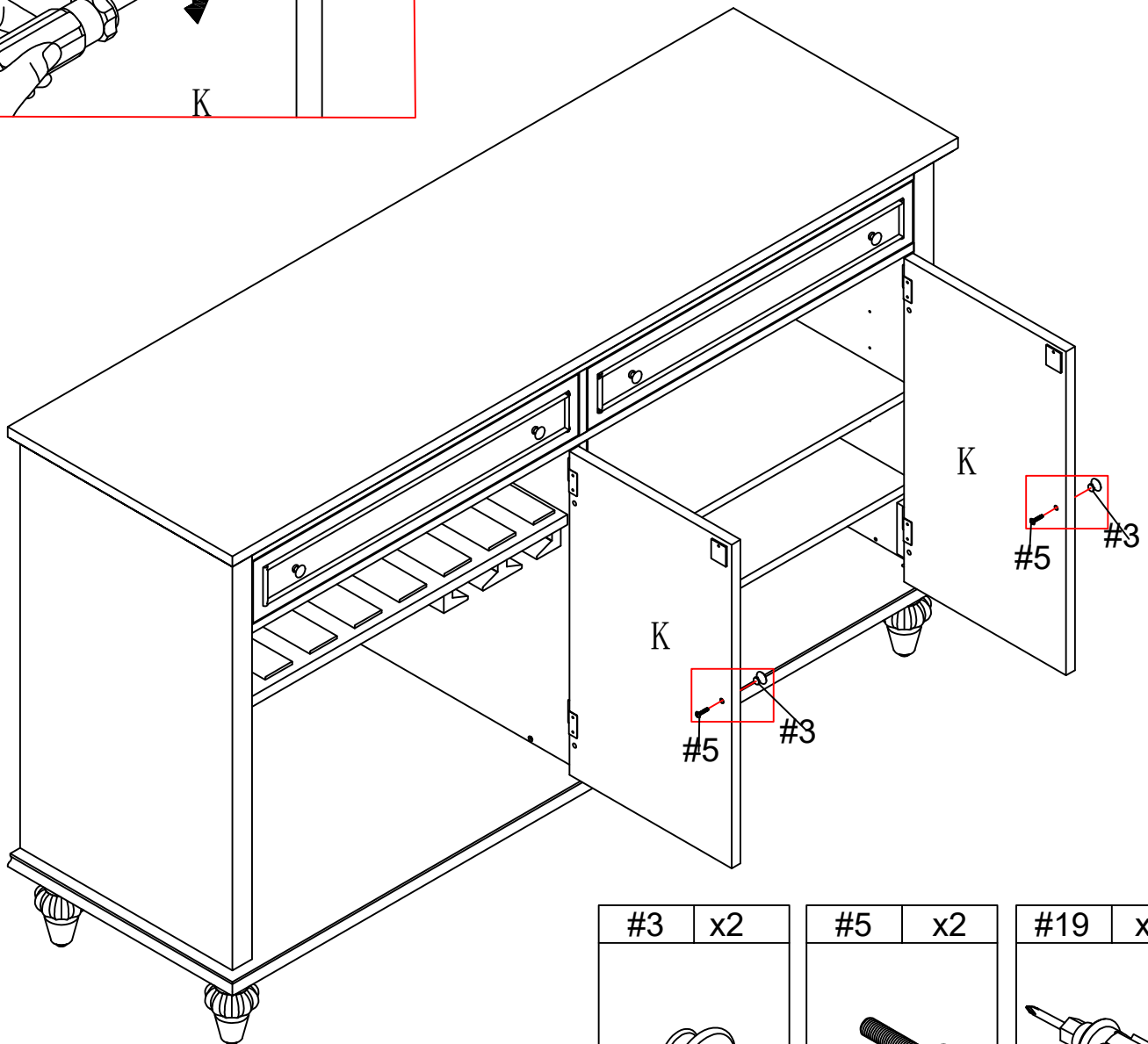
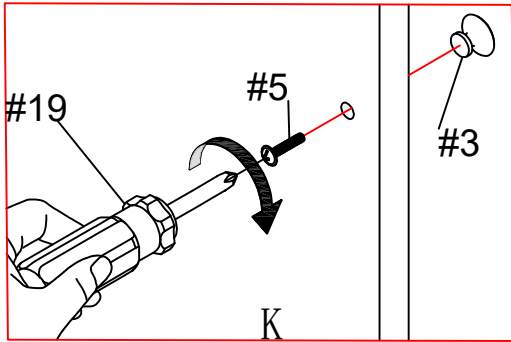




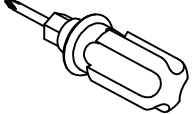
| #12   | x12 | #19   | x1 |
|---|-----|---|----|
|  |     |  |    |
| Ø3mm*15   |     |   |    |

# ASSEMBLY INSTRUCTIONS

## STEP-16

1. Use screw # 5 to attach handle #3 to the corresponding hole of panel (K), tighten screw with screwdriver #19.

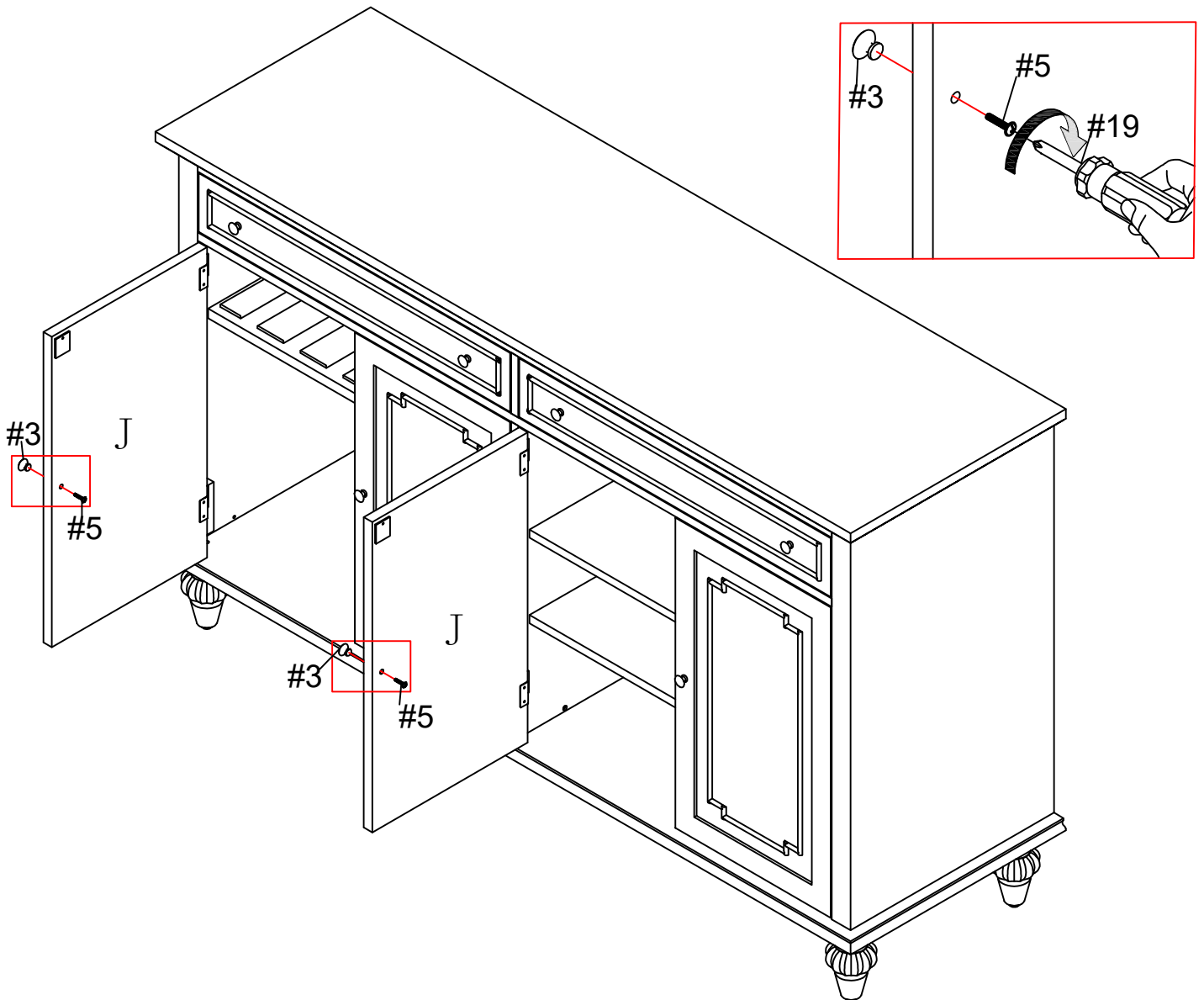



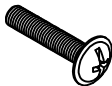
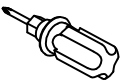
|   |    |   |    |   |    |
|---|----|---|----|---|----|
| #3  | x2 | #5  | x2 | #19   | x1 |
|  |    |  |    |  |    |
|   |    | ø4*22mm   |    |   |    |

# ASSEMBLY INSTRUCTIONS

## STEP-17

1. Use screw # 5 to attach handle #3 to the corresponding hole of panel(J), tighten screw with screwdriver #19.



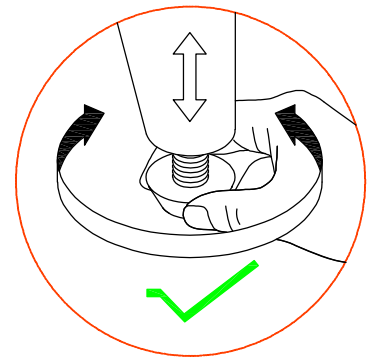
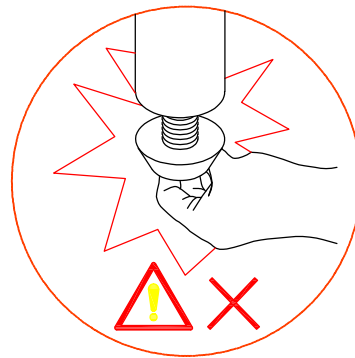
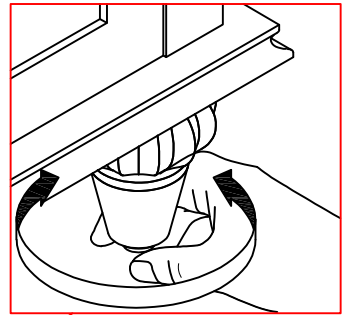
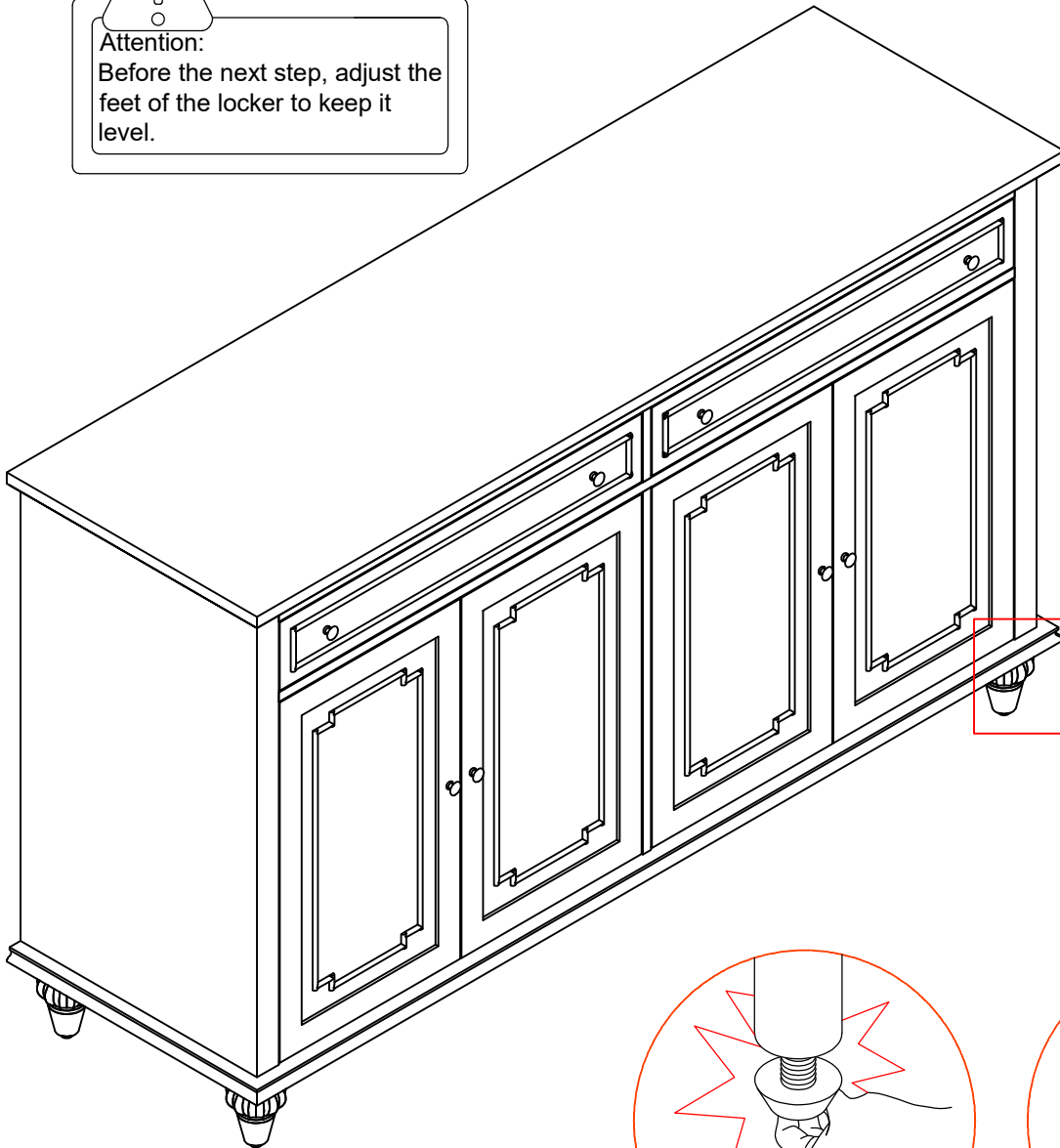
|   |    |   |    |   |    |
|---|----|---|----|---|----|
| #3  | x2 | #5  | x2 | #19   | x1 |
|  |    |  |    |  |    |
|   |    | ø4*22mm   |    |   |    |

# ASSEMBLY INSTRUCTIONS

## STEP-18


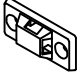


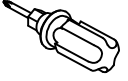
**Attention:**  
Before the next step, adjust the feet of the locker to keep it level.





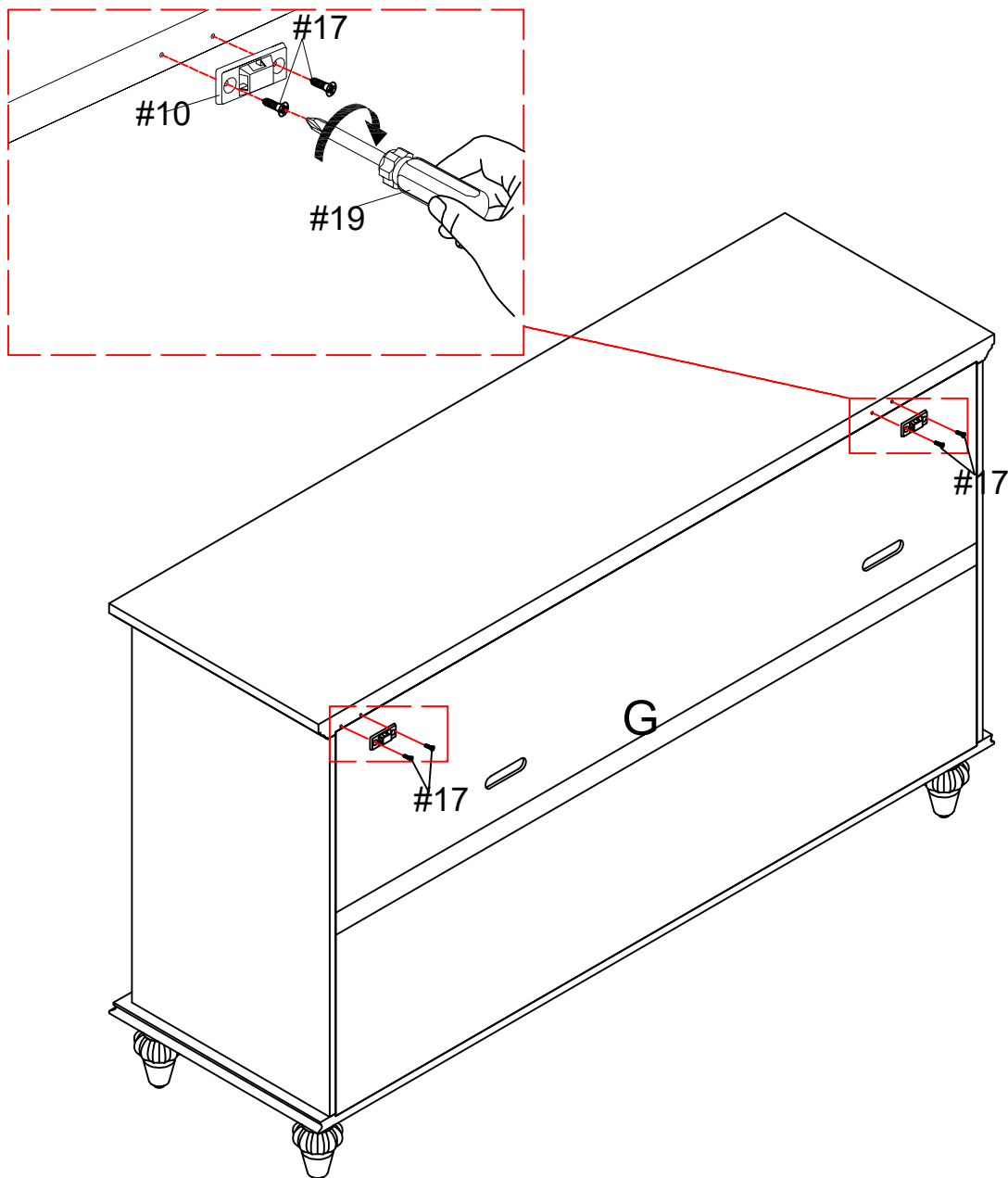
# ASSEMBLY INSTRUCTIONS

|   |    |   |    |
|---|----|---|----|
| #17   | x4 | #10   | x2 |
|  |    |  |    |
| Ø3*16   |    |   |    |

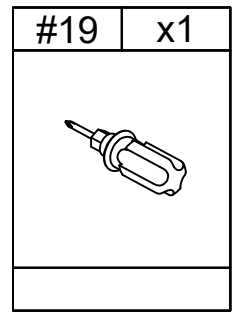
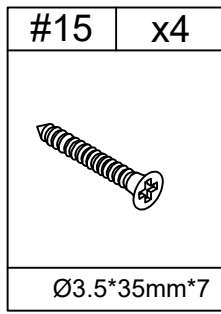
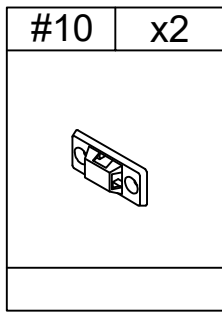
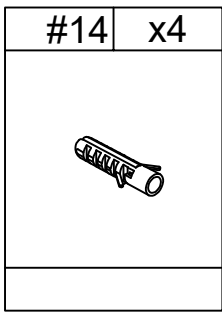
|   |    |
|---|----|
| #19   | x1 |
|  |    |
|   |    |

## STEP-19

1. Use screw #17 to attach part #10 to preassemble unit at step 18, tighten screws with screwdriver #19.

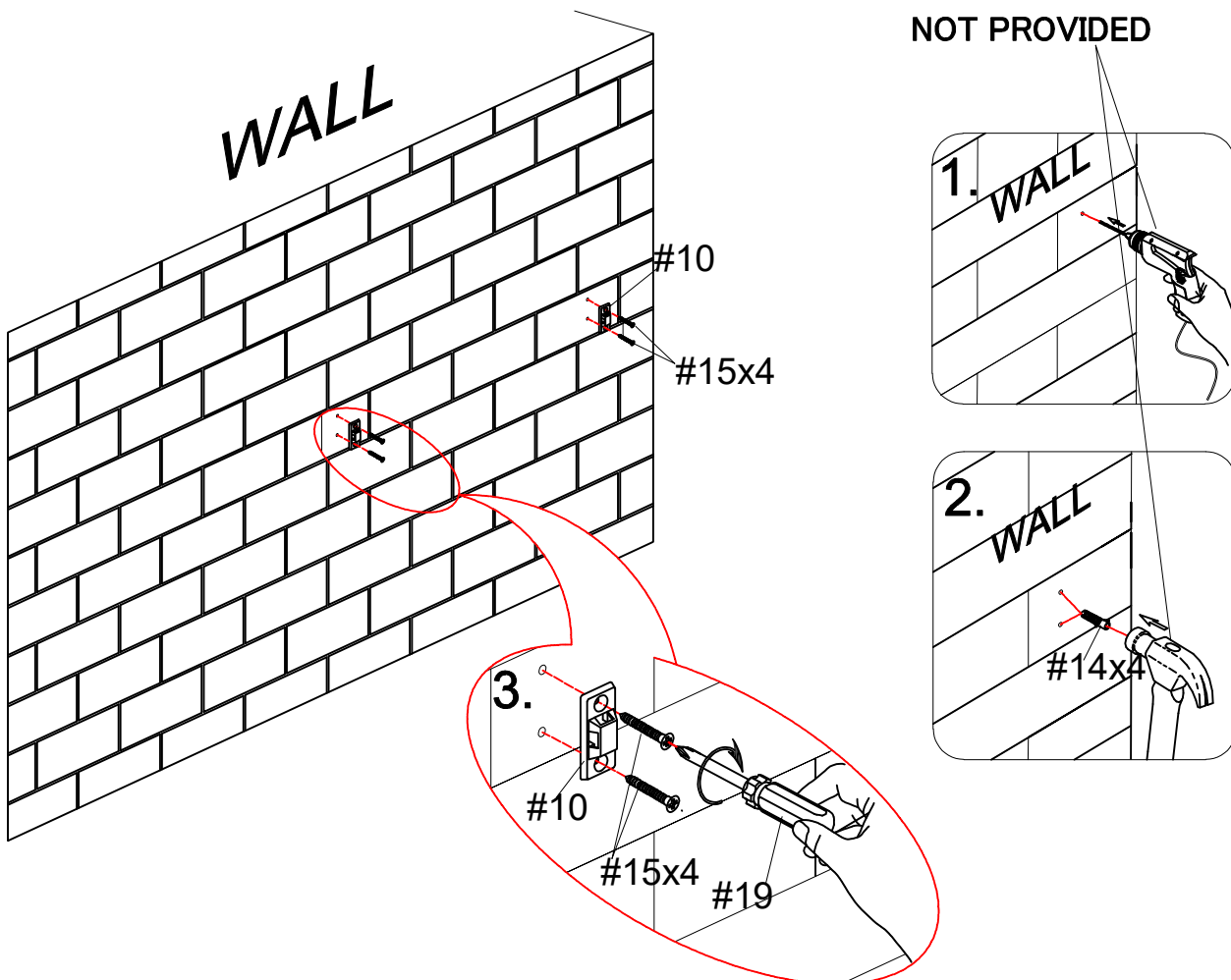


# ASSEMBLY INSTRUCTIONS

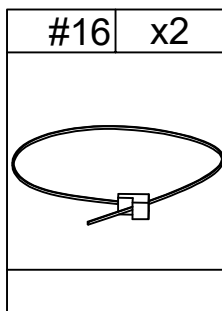


## STEP-20

1. Install the anti-collapse device.
2. Mark the position on the wall, that corresponds to the location of part #10 on the of panel (A); Drill and insert the expandable screw #14 by hammer.
3. Assemble the part #10 to the wall. Align the hole in the part #10 with the expandable screw #14, use screw #15 to attach it and tighten by screwdriver #19.

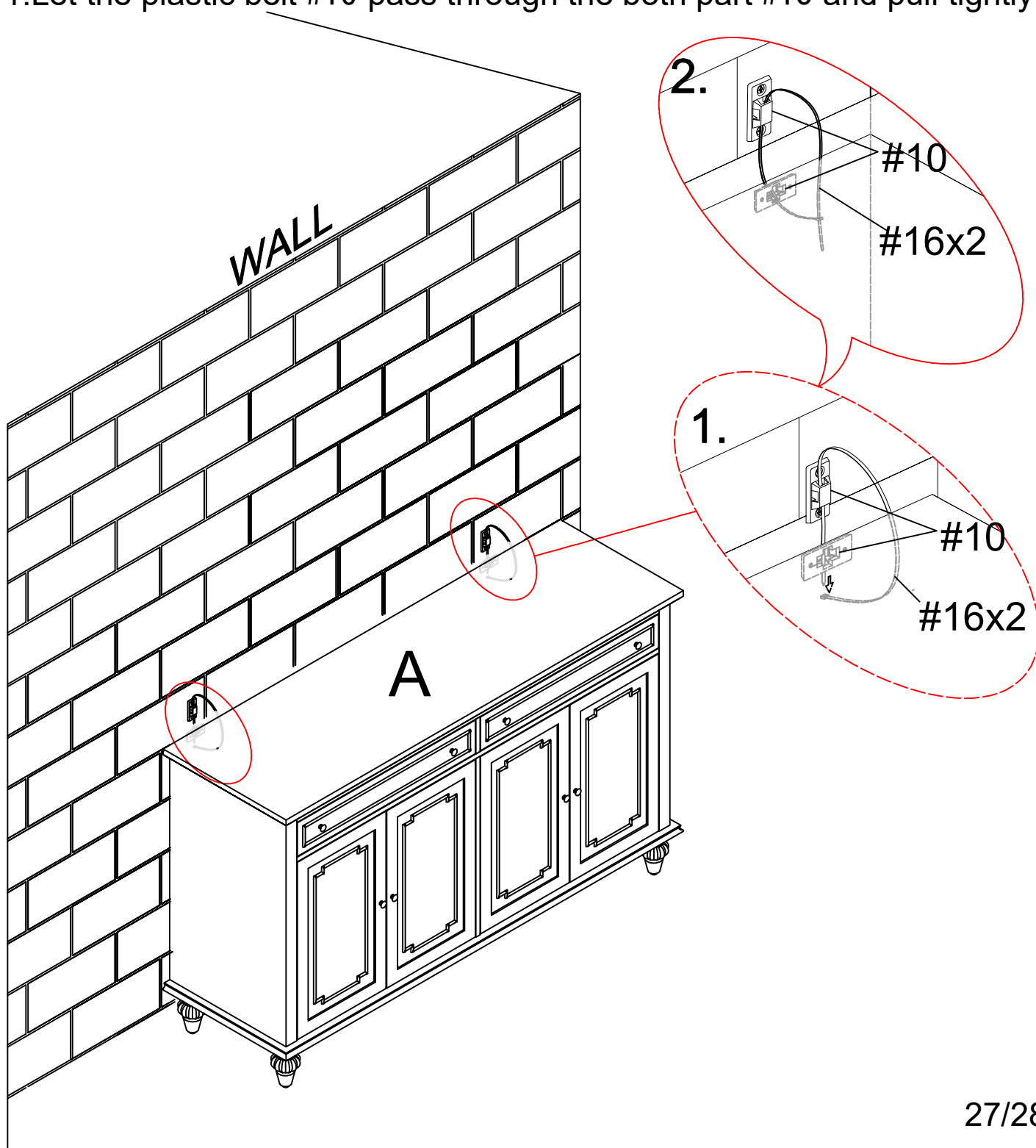


# ASSEMBLY INSTRUCTIONS



## STEP-21

1. Let the plastic belt #16 pass through the both part #10 and pull tightly.



# WARRANTY

1. We strive to offer high-quality products, and we also try our best to satisfy each and every customer that orders from us with product or service as needed.
2. We provide 30 days warranty starting from the time you receive the item. Each customer must provide a record of their order such as the order number, or item receipt for any items that are out of the warranty period you may also still receive.
3. Replacement parts by purchasing them with our company if they are available.

Are you having difficulty  
With assembly? Missing parts?  
Please send email with your order No to  
[customerservice@hulalahome.com](mailto:customerservice@hulalahome.com)  
For return, please check the return policy with  
the retailer or market place you bought from.

Appreciate your purchasing from us.  
Pop up your life by our furniture piece!