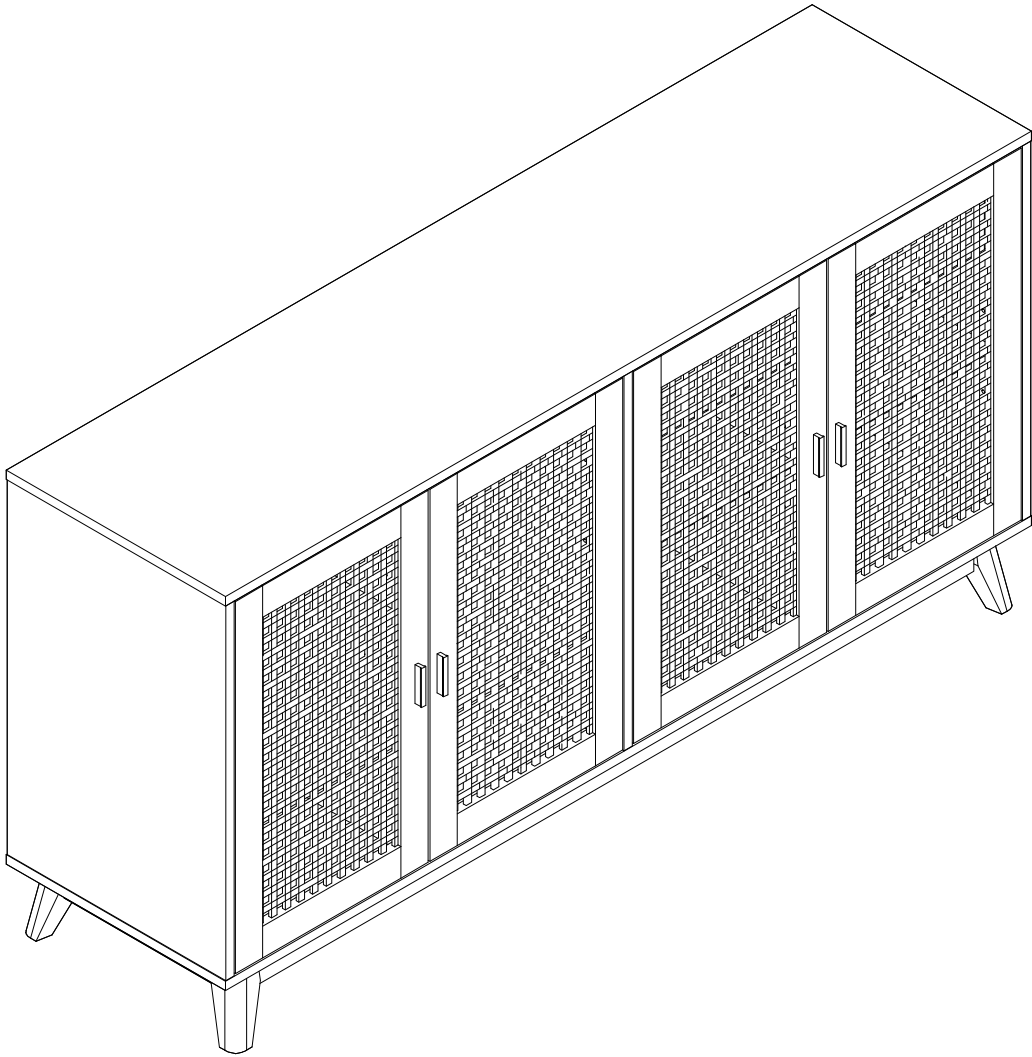


HULALA

H O M E



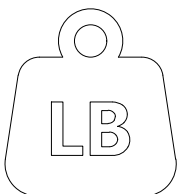
ITEM NO.SBLS1165

NOTE:

This brochure contains IMPORTANT safty info. Please read and keep for future reference.

MAINTAINANCE AND WARNING

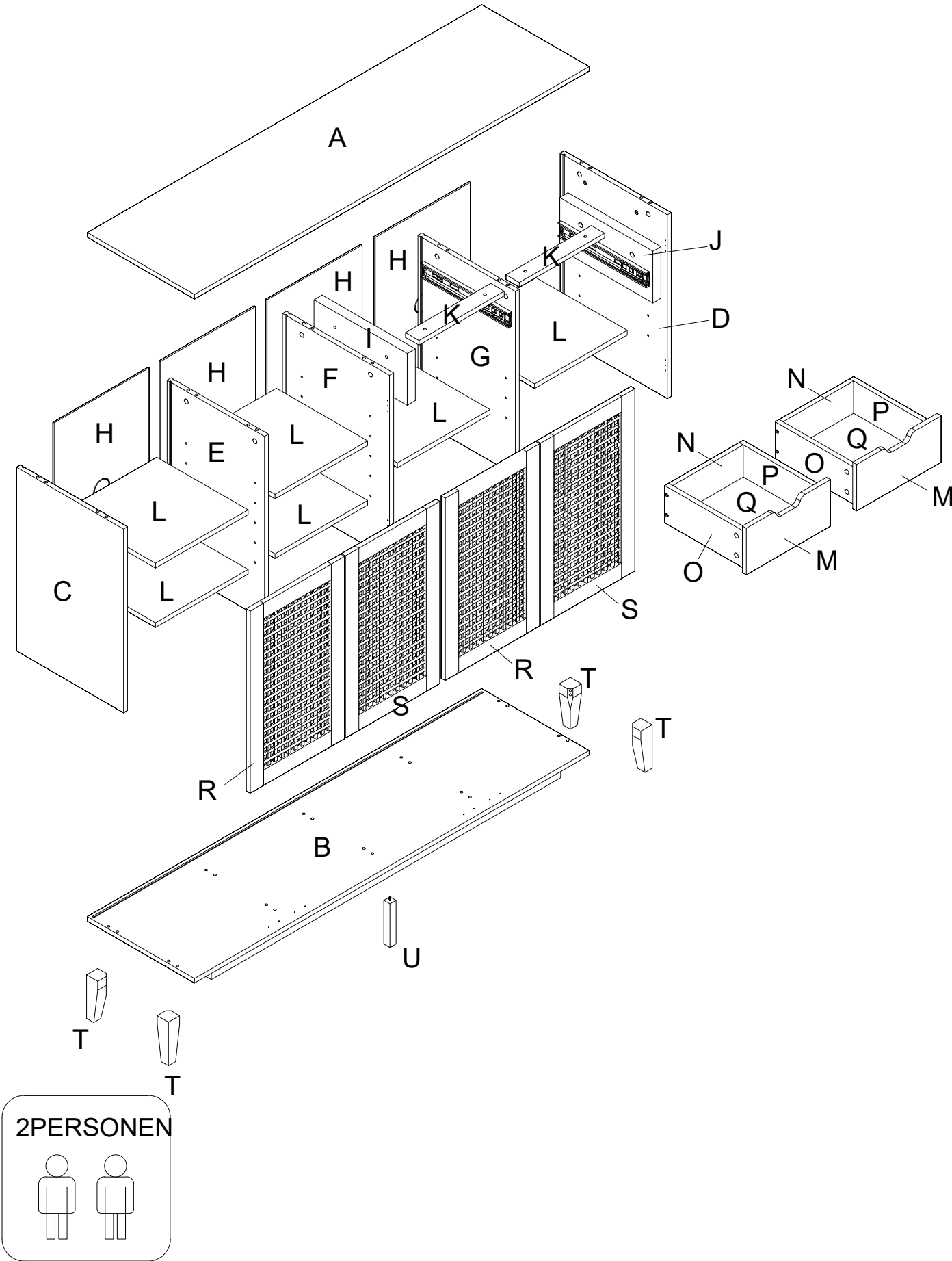
- 1.Keep furniture away from heat sources.
- 2.Do not clean furniture with harsh cleaner or polishes.Do not use detergents,solvents,abrasives,spray packs or leather cleaner. Use non-color mild soap with warm water to clean spills(Mix 1:10 soap to water).
- 3.Do not place furniture under direct sunlight,material will possibly fade over time.
- 4.Do not use on site dry cleaning machine.Children should not climb or jump on the furniture.
- 5.Do not write on furniture that is not protectedby a padded barrier.
- 6.Not for commercial use,only for residential use.



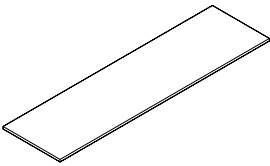
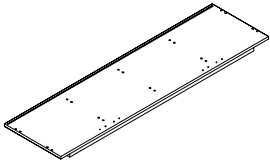
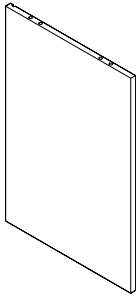
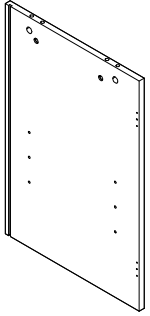
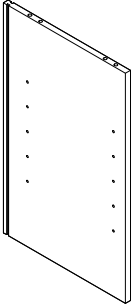
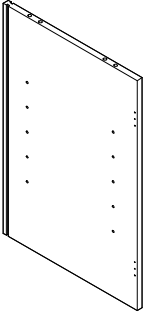
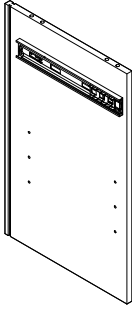
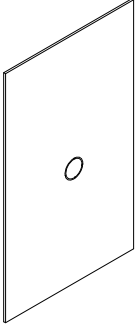
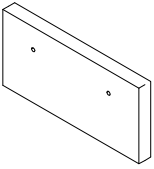
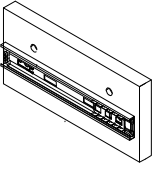
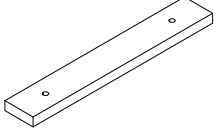
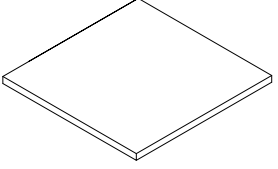
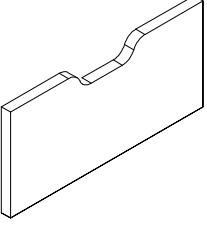
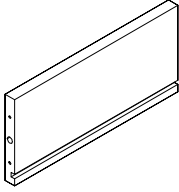
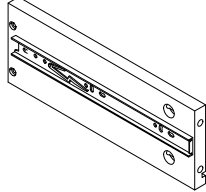
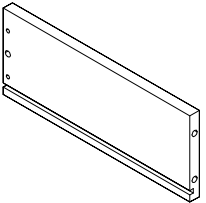
Weight Limitation

150 LBS

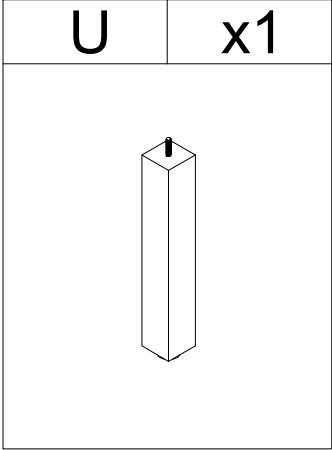
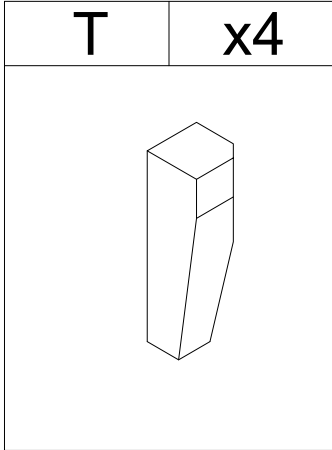
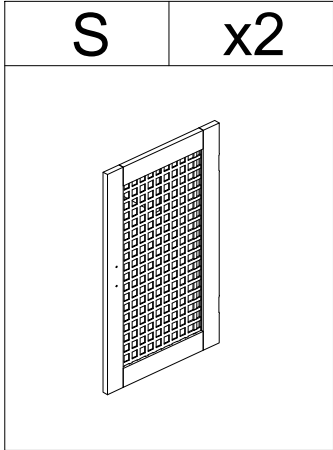
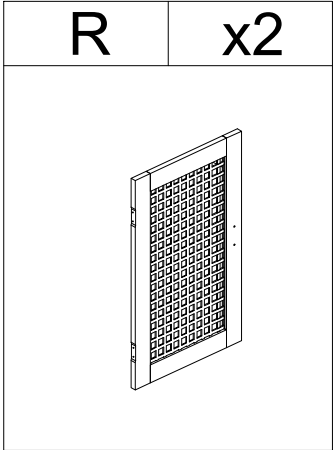
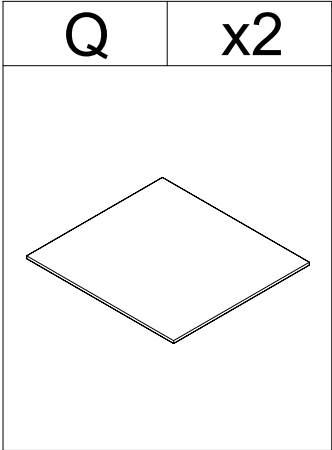
EXPLOSIVE VIEW



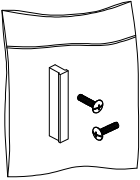
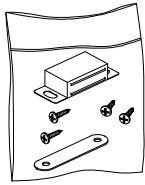


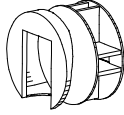
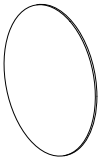
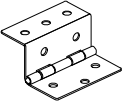
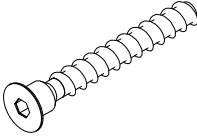
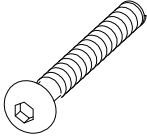


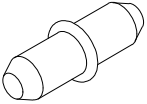

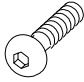
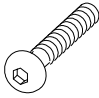
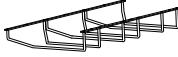


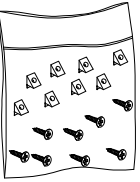

PARTS LIST

A	x1	B	x1	C	x1	D	x1
							
E	x1	F	x1	G	x1	H	x4
							
I	x1	J	x1	K	x2	L	x6
							
M	x2	N	x2	O	x2	P	x2
							

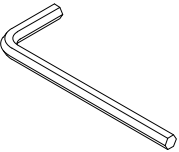
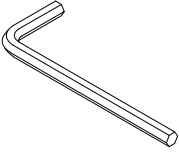
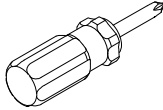
PARTS LIST



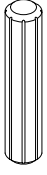
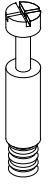
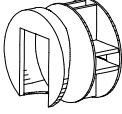
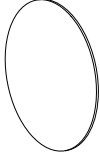
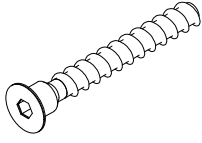
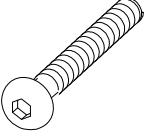


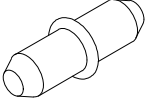

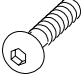
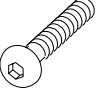

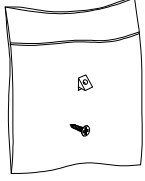

HARDWARE LIST

#1	x4	#2	x8	#3	x24	#4	x18	#5	x18	#6	x18
							Ø8x30mm		Ø1/4x1"		
#7	x8	#8	x10	#9	x4	#10	x4	#11	x4	#12	x24
			M6*50		M8*50				Ø8		
#13	x8	#14	x4	#15	x4	#16	x1	#17	x70	#18	x2
	Ø8*1-1/4"		M6*20		M6*30				M3*14		
#19	x18	#20	x8								
			Ø6*12*1.5								

TOOL LIST

#21	x1	#22	x1	#23	x1
	M8		M6		

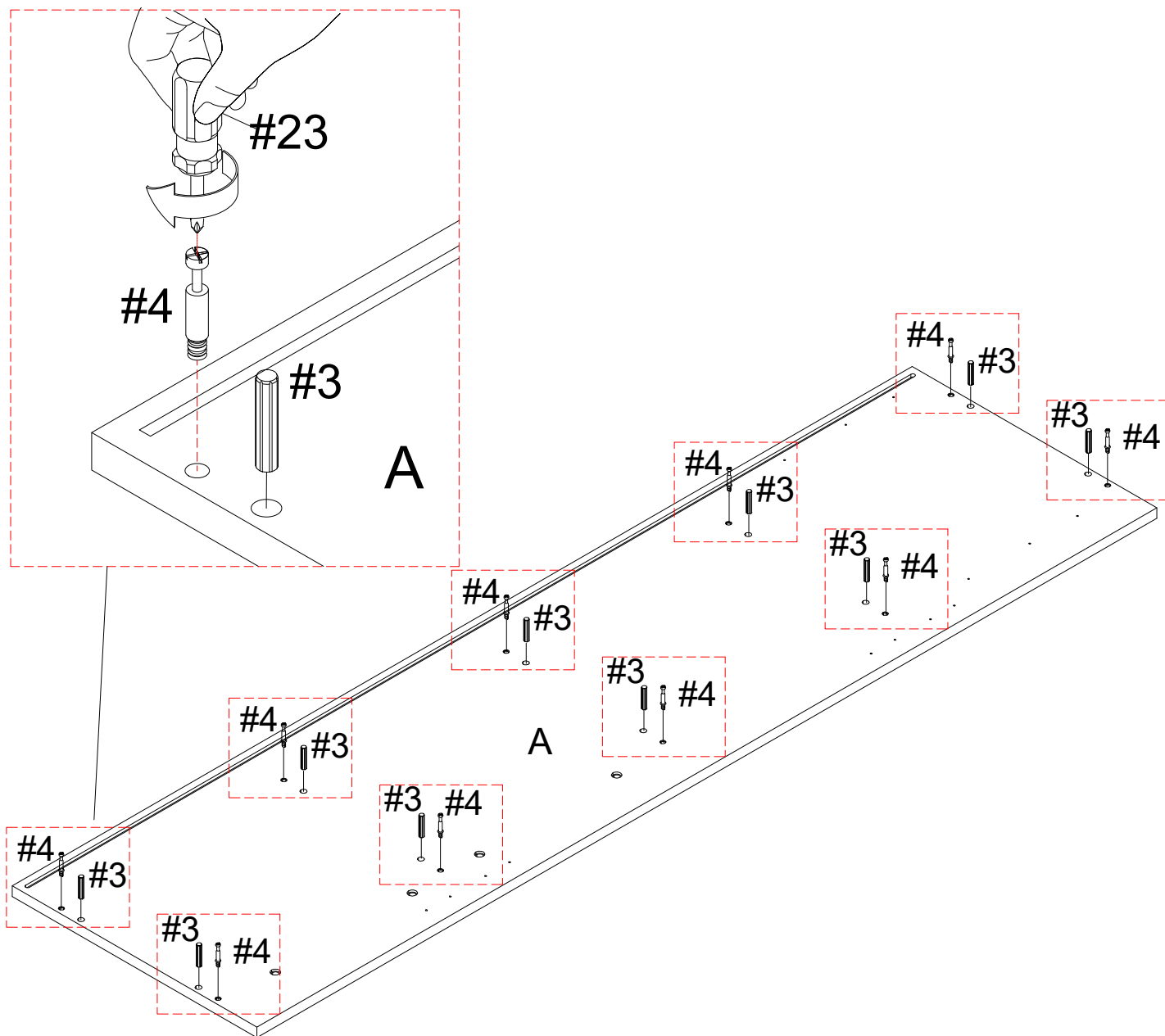
HARDWARE SPARE LIST

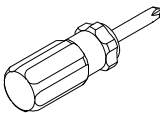

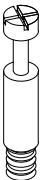
#3	x1		#4	x1		#5	x1		#6	x1		#8	x1		#9	x1	
			Ø8x30mm			Ø1/4x1"						M6*50			M8*50		
#10	x1		#11	x1		#12	x1		#13	x1		#14	x1		#15	x1	
			Ø8						Ø8*1-1/4"			M6*20			M6*30		
#17	x7		#19	x1		#20	x1										
M3*14						Ø6											

ASSEMBLY INSTRUCTIONS

STEP-1

Prepare for part A. Align the holes in part A, insert wooden dowel #3 by hand, tighten with screwdriver #23 tighten #4。

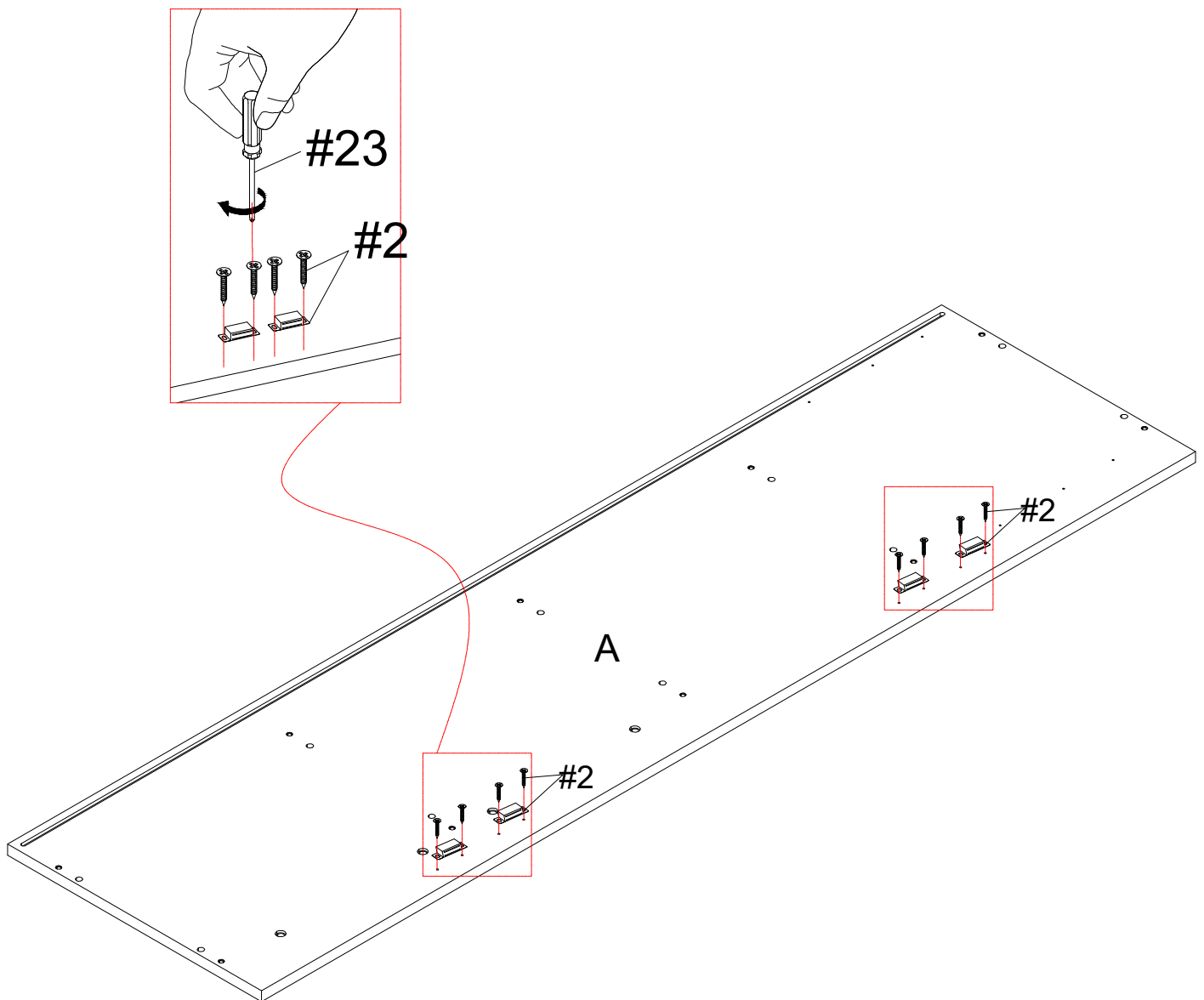


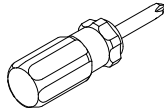
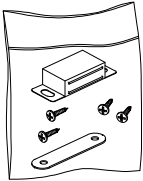
#23	x1	#3	x10	#4	x10
					

ASSEMBLY INSTRUCTIONS

STEP-2

Use bolt #2 to attach Magnetic device #2 to top panel (A) , tighten bolts with screwdriver #23.

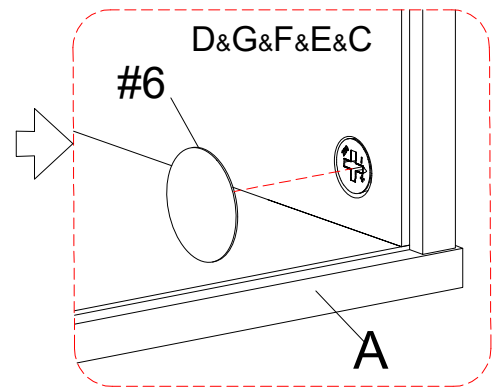
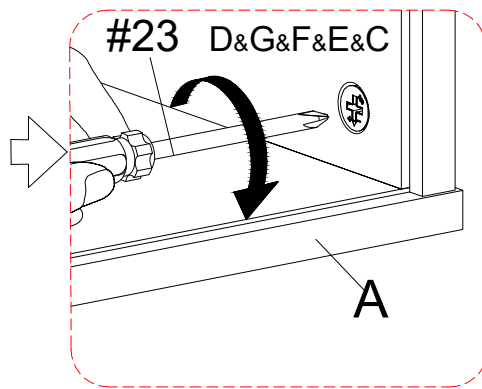
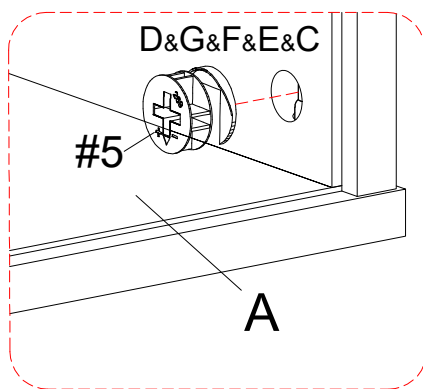
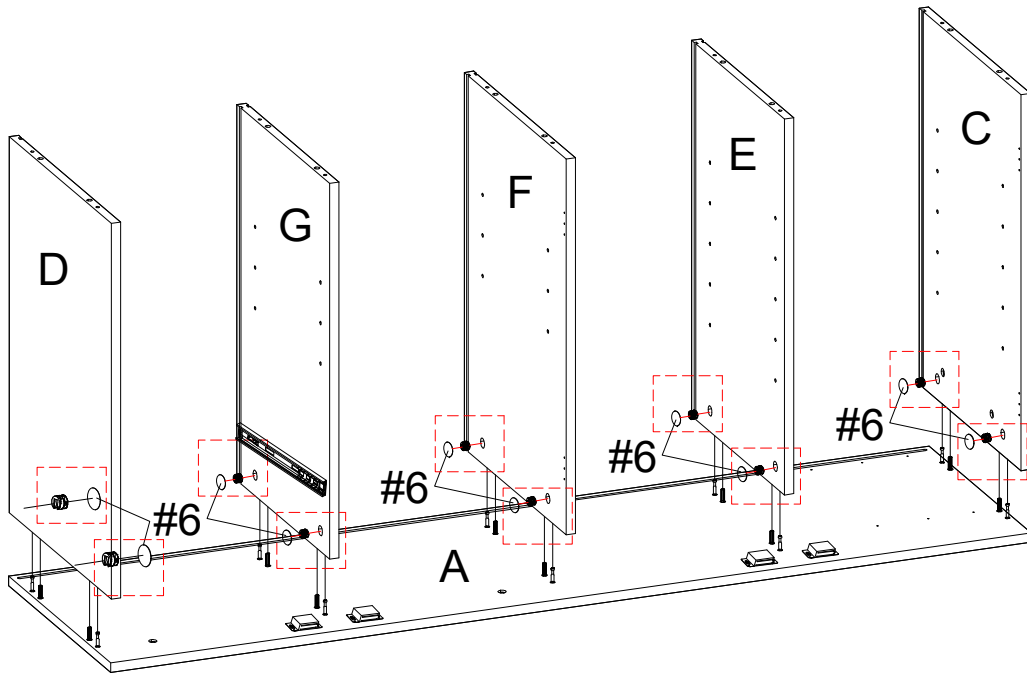


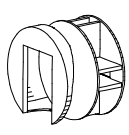

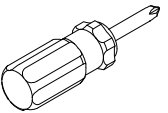
#23	x1	#2	x4
			

ASSEMBLY INSTRUCTIONS

STEP-3

Connect the part A with part C&D&E&F&G. align the hole in the part C&D&E&F&G ,insert the bolt #4 and wooden dowel #3 in part A into part C&D&E&F&G. insert cam bolt #5 into the corresponding hole of side panel C&D&E&F&G,and tighten the nuts #5 with a screwdriver #23. After installation, cover the screw holes with #6. Make sure the groove is in same side as picture show.

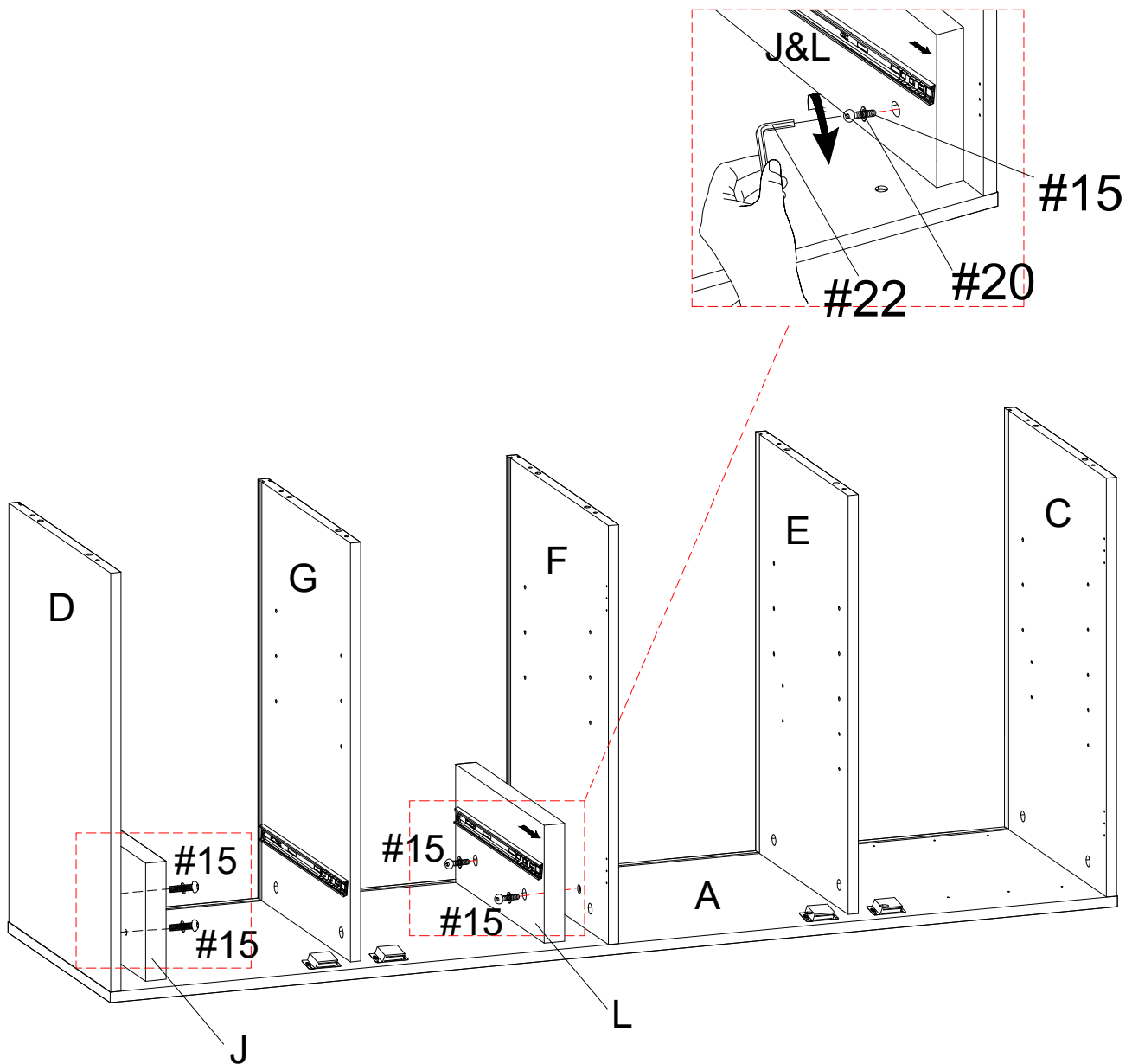


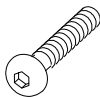

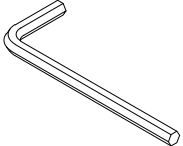
#5	x10	#6	x10	#23	x1
					

ASSEMBLY INSTRUCTIONS

STEP-4

Insert gasket #20 into screw #15, Align the I/J holes with the side plate, and use wrench #22 to fix screw #15 on the side plate respectively.

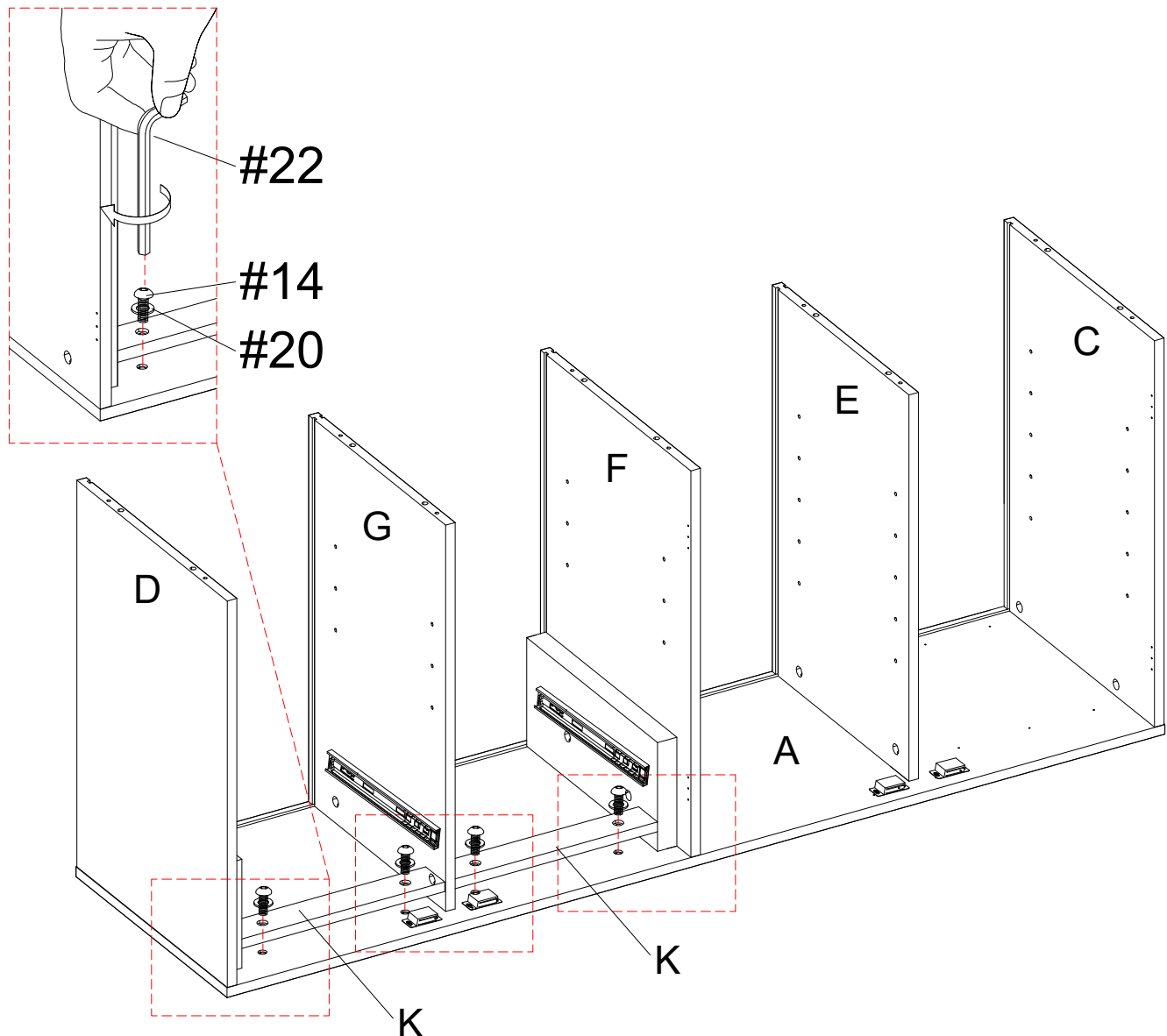


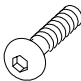

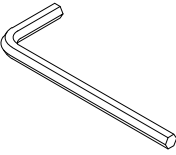
#15	x4	#20	x4	#22	x1
					
M6x30mm		Ø6*12*1.5			

ASSEMBLY INSTRUCTIONS

STEP-5

Insert gasket #20 into screw #14, Align the K hole position with the A plate, and use the wrench #22 to fix the screw #14 on the A plate respectively

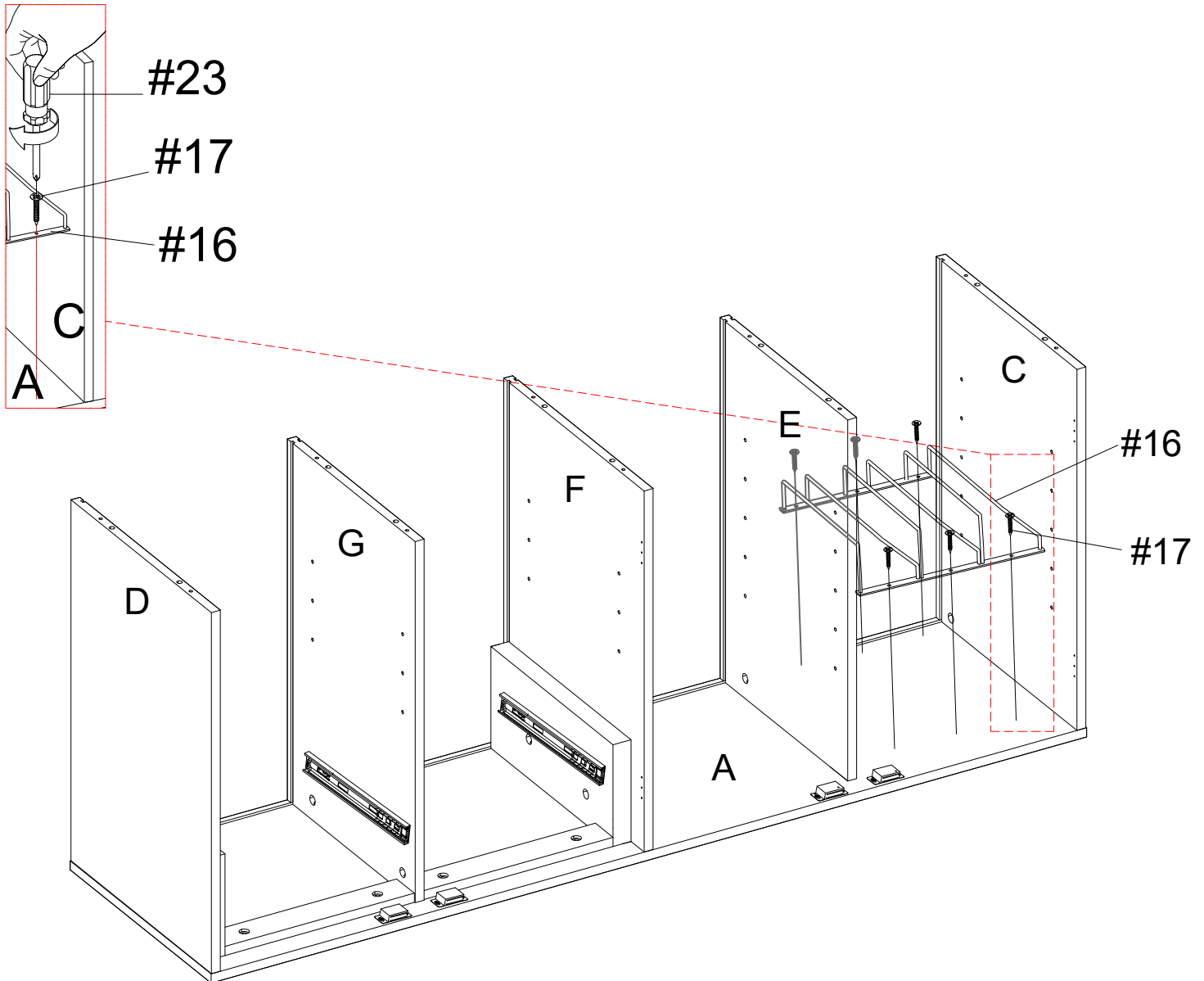


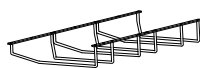

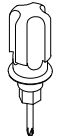
#14	x4	#20	x4	#22	x1
					
M6x20mm		Ø6*12*1.5			

ASSEMBLY INSTRUCTIONS

STEP-6

Align the #16 hole with the A board, and use a #23 screwdriver to fix the #17 screw on the A board.

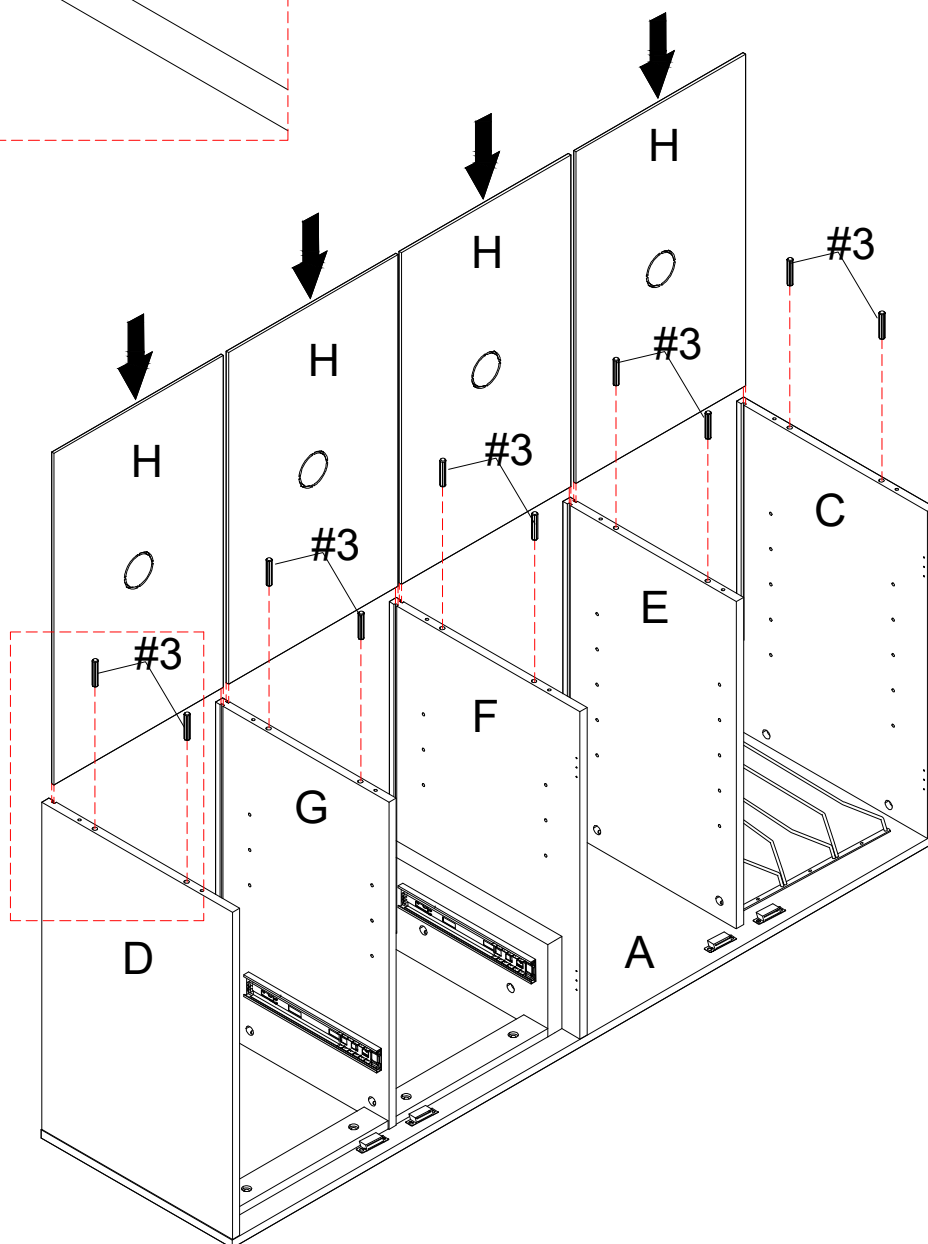
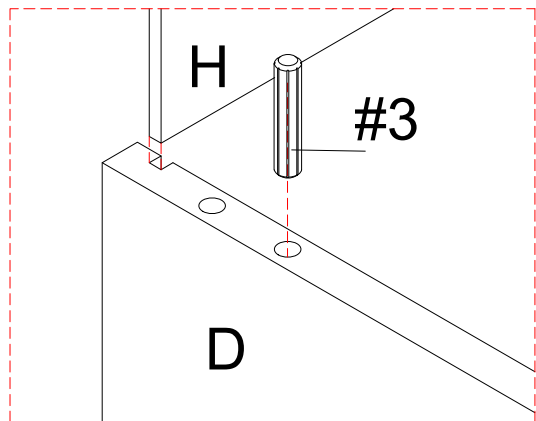



#16	x1	#17	x6	#23	x1
					

ASSEMBLY INSTRUCTIONS

STEP-7

Manually insert #3 wooden dowels (C&D&E&F&G), slide in the part H into the groove in part D,G and G,F and F,E and E,C . make sure they are also in groove in part A.

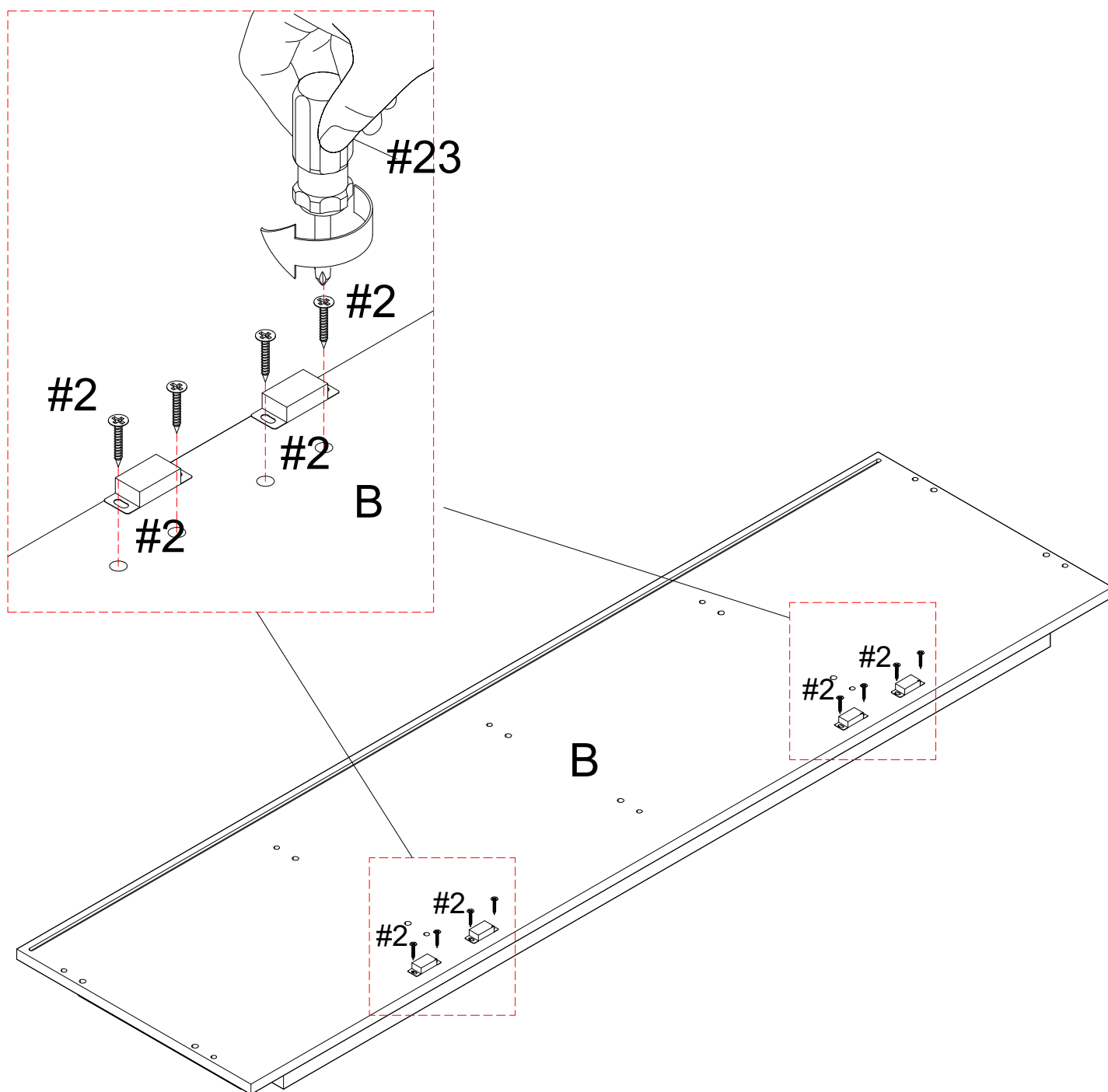


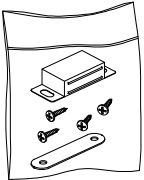
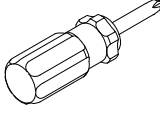
#3	x10
	

ASSEMBLY INSTRUCTIONS

STEP-8

Use bolt #2 to attach Magnetic device #2 to bottom panel (B), tighten bolts with screwdriver #23.



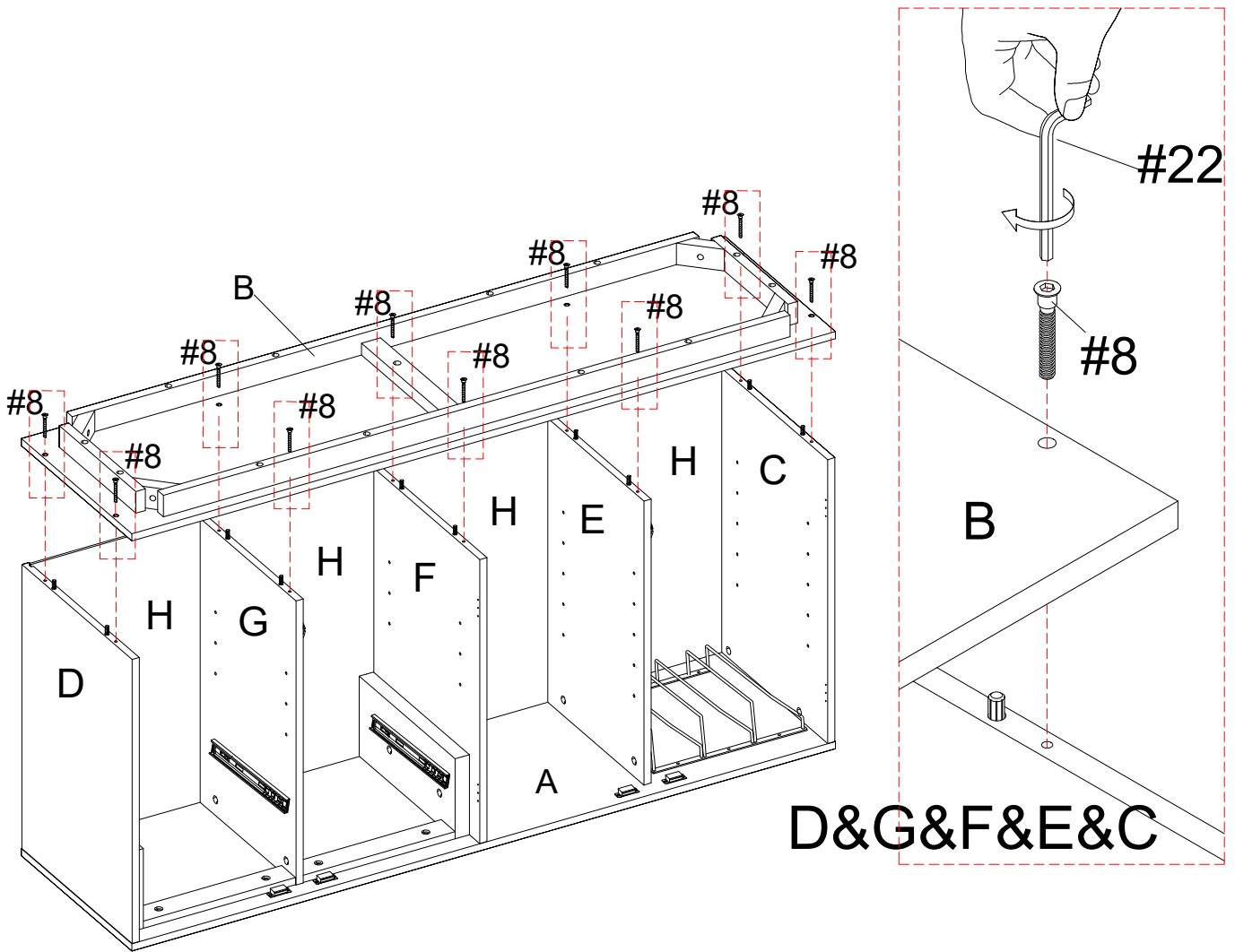
#2	x4	#23	x1
			

ASSEMBLY INSTRUCTIONS


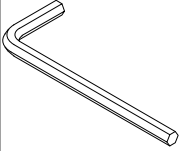
STEP-9

Connect the part B the pre-assembled unit in step 7.

Then align the holes in part B, Insert screw #8 and push it down so that it connects to parts C&D&E&F&G. . Next, and tighten the screw #8 with an Allen key #22.



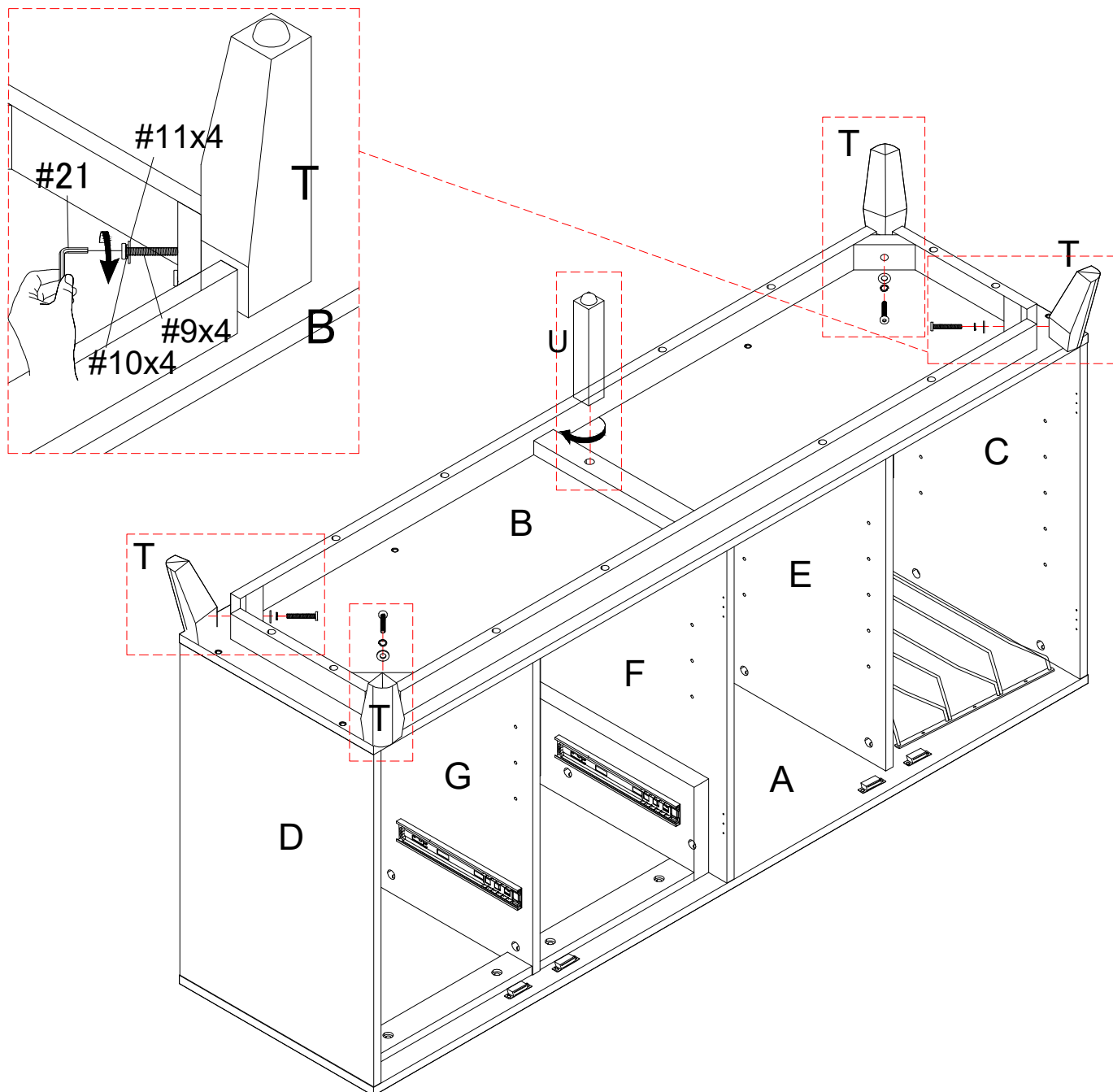
D&G&F&E&C

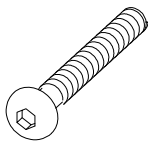


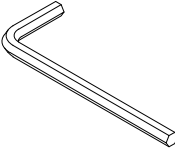
#8	x10	#22	x1
			
		M6	

ASSEMBLY INSTRUCTIONS

STEP-10

1. Insert gasket #10 and #11 in sequence into screw #9, install leg (T) on of bottom panel (B), ensure the corresponding holes are aligned and fix with screw #9, then tighten the screw with an Allen key #21.

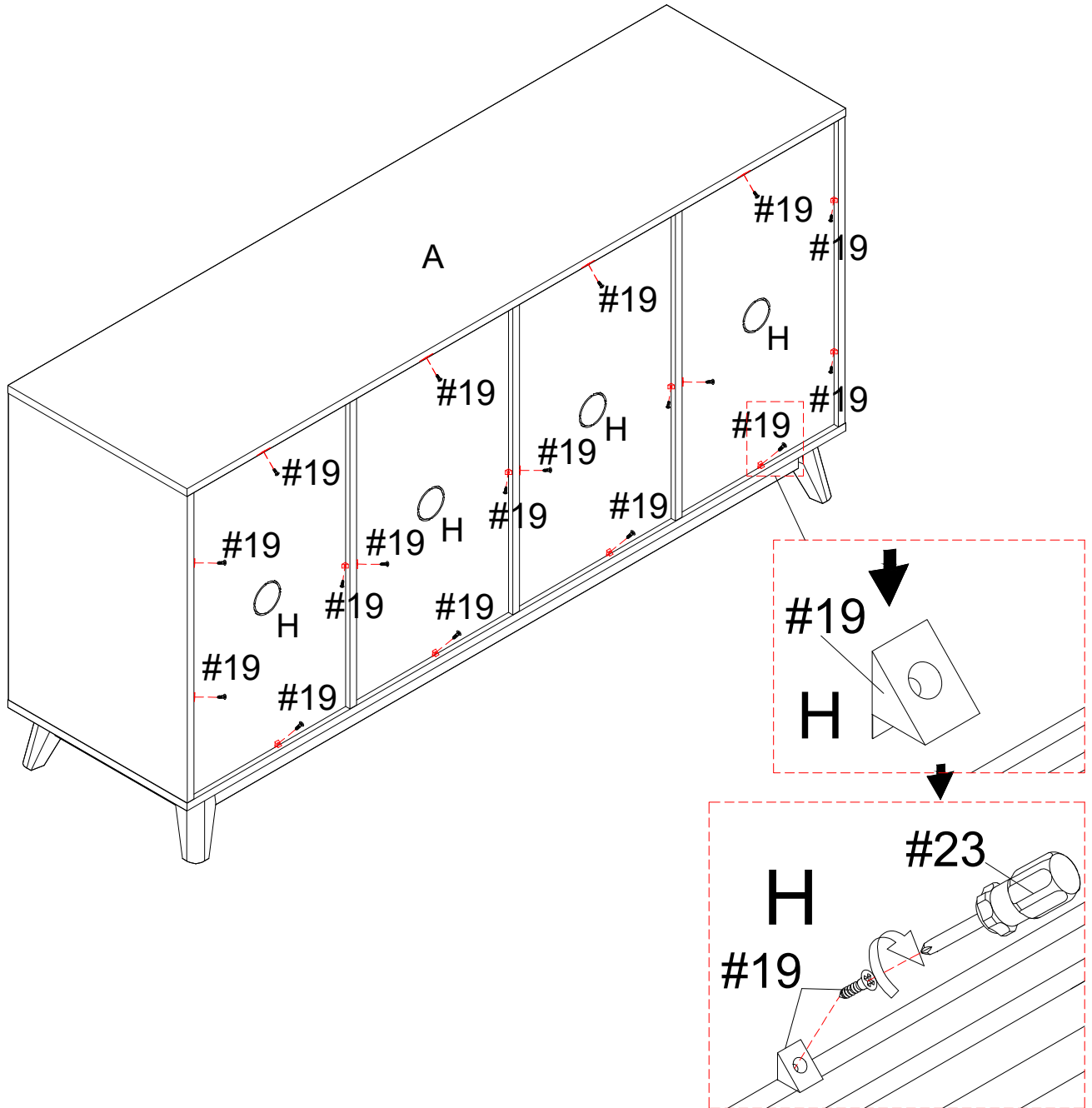


#9	x4	#10	x4	#11	x4	#21	x1
							
						M8	

ASSEMBLY INSTRUCTIONS

STEP-11

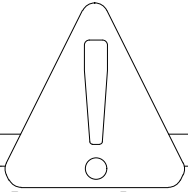
Insert hardware #19 into part (H) as shown, screw in screw #19 using screwdriver #23 and tighten fully.



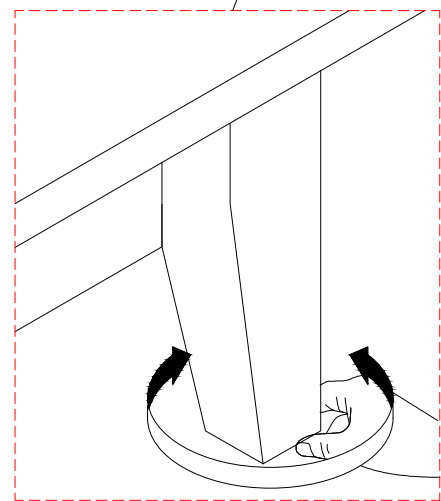
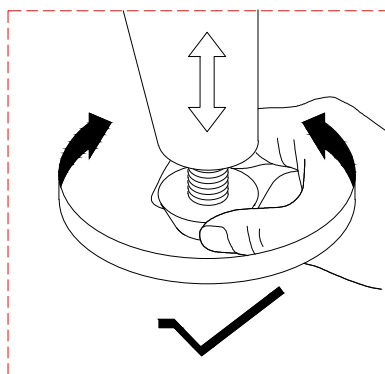
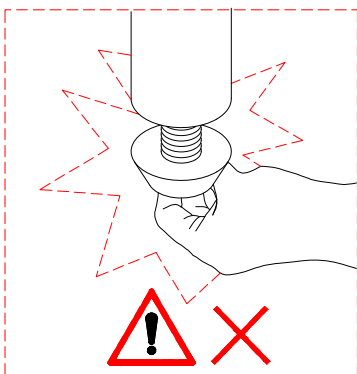
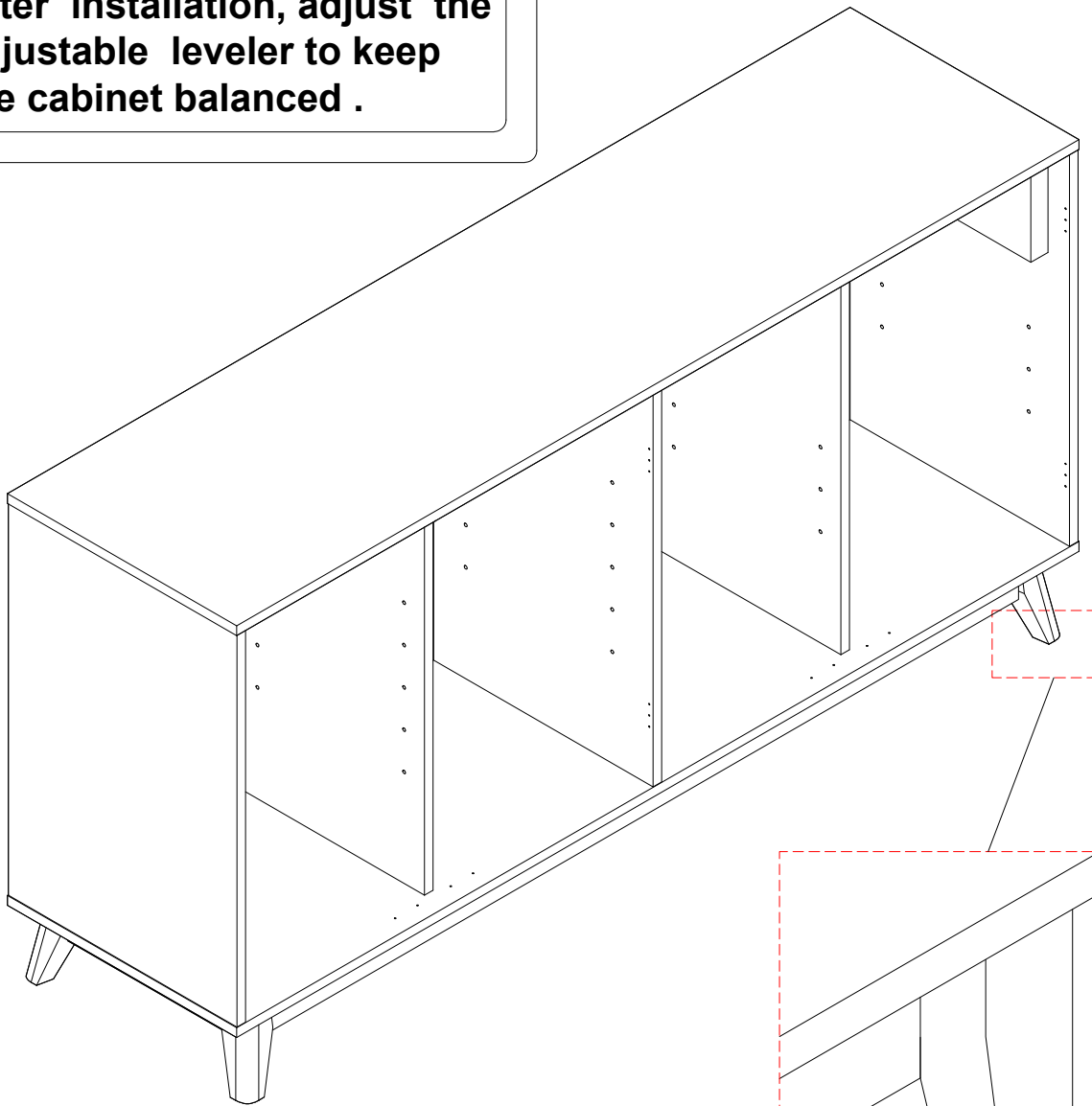
#19	x18	#23	x1

ASSEMBLY INSTRUCTIONS

STEP-12



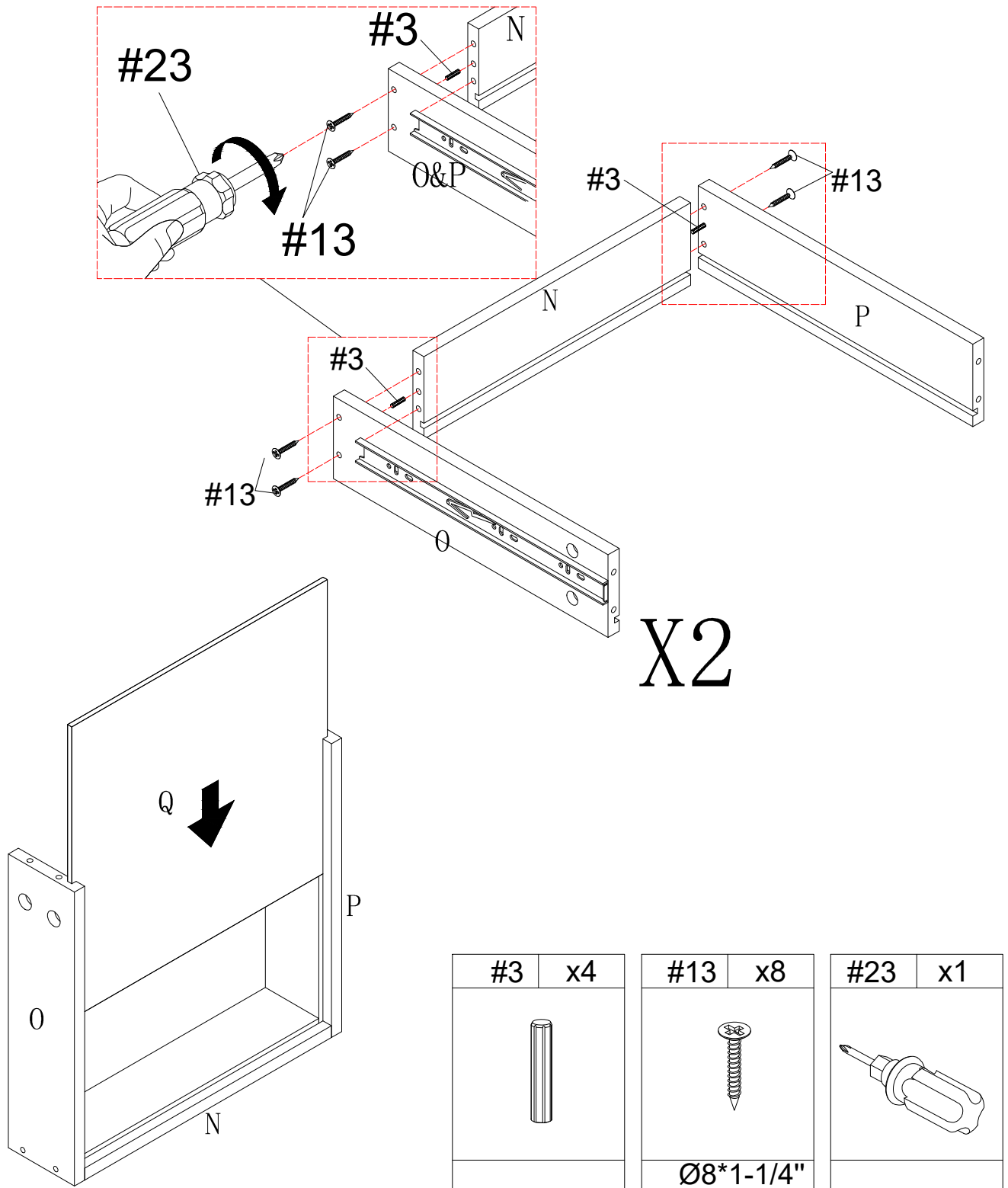
Attention:
After installation, adjust the adjustable leveler to keep the cabinet balanced .



ASSEMBLY INSTRUCTIONS

STEP-13

1. Insert wooden dowel #3 into the corresponding hole of drawer back (N), and then use screw #13 to attach drawer side (O) & (P) to drawer back (N), tighten screw #13 with screwdriver #23.
2. Carefully align and slide panel (Q) into the groove along rear edge of pre-assemble unit at step 1

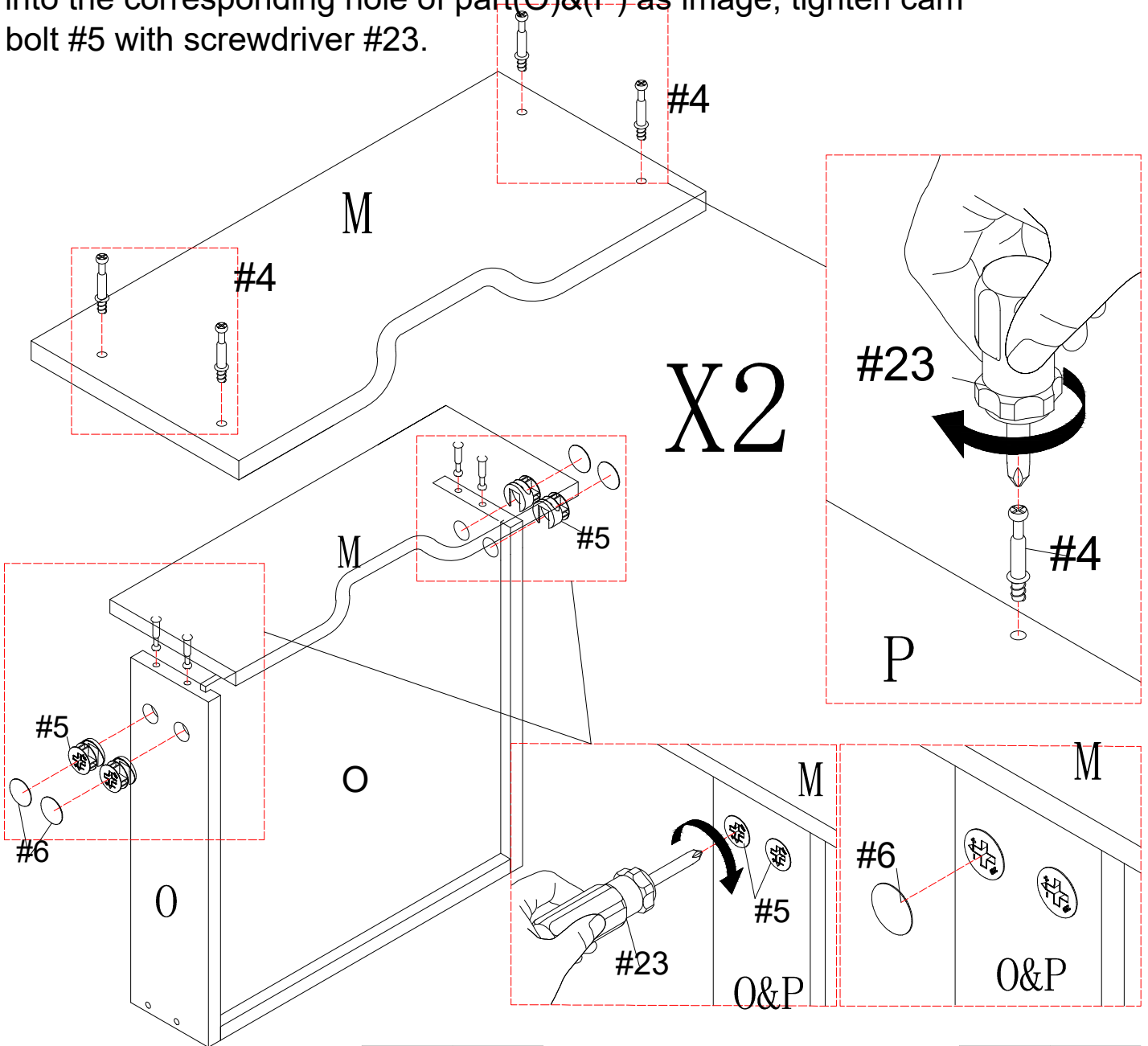


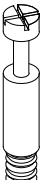
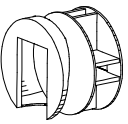

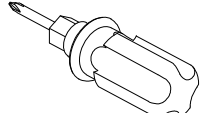
ASSEMBLY INSTRUCTIONS

STEP-14

1. Insert bolt #4 into the corresponding hole of panel (M), tighten bolt #1 with screwdriver #23.

2. Insert preassembly panel(M) into preassembly unit step1, make sure all holes aligned, and then insert cam bolt #5 into the corresponding hole of part(O)&(P) as image, tighten cam bolt #5 with screwdriver #23.



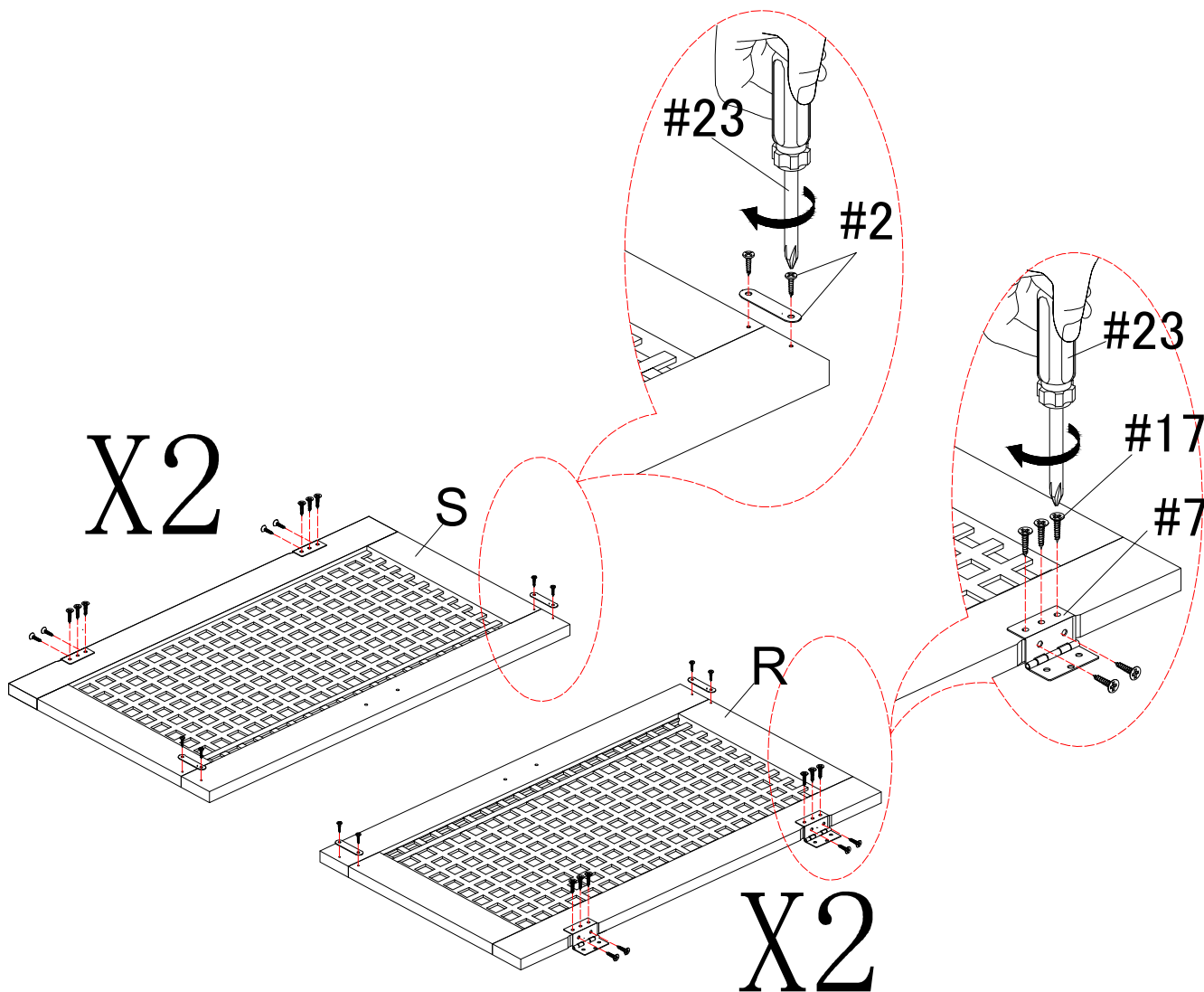
#4	x8	#5	x8	#6	x8	#23	x1
							

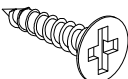

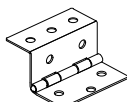
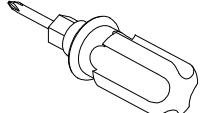
ASSEMBLY INSTRUCTIONS

STEP-15

Use screw#2 to attach metal plate#2 to door(S)&(R),tighten screw#2 with screwdriver#23.

Use screw#17 to attach hinge#7 to door(S)&(R),tighten screw#17 with screwdriver#23.

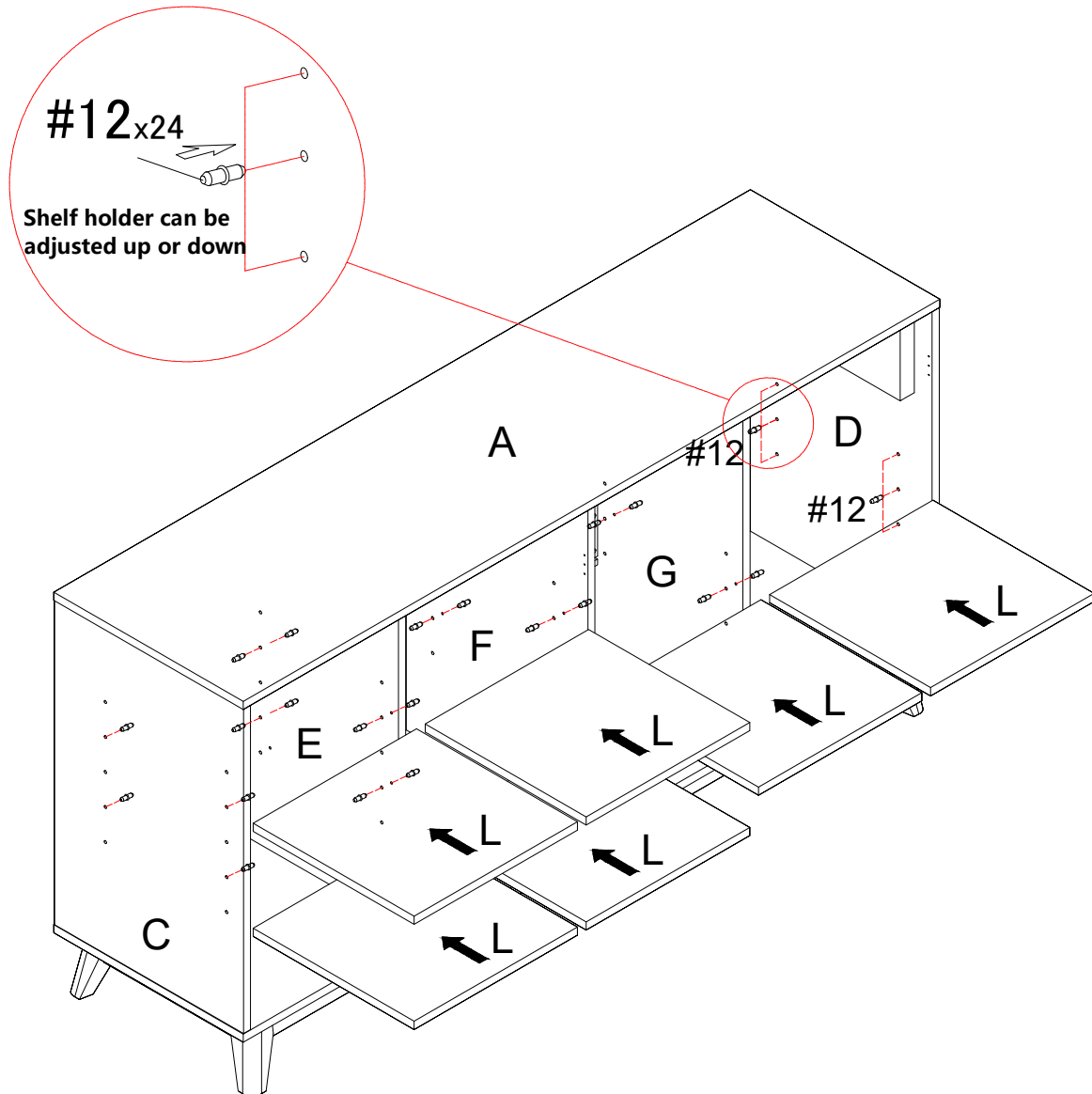


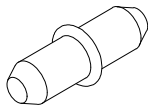
#17	x40	#2	x8	#7	x8	#23	x1
							

ASSEMBLY INSTRUCTIONS

STEP-16

1. Insert shelf holder #12 into the corresponding hole of panel (C)&(D)&(E)&(F)&(G) and then attach panel (L) to it.

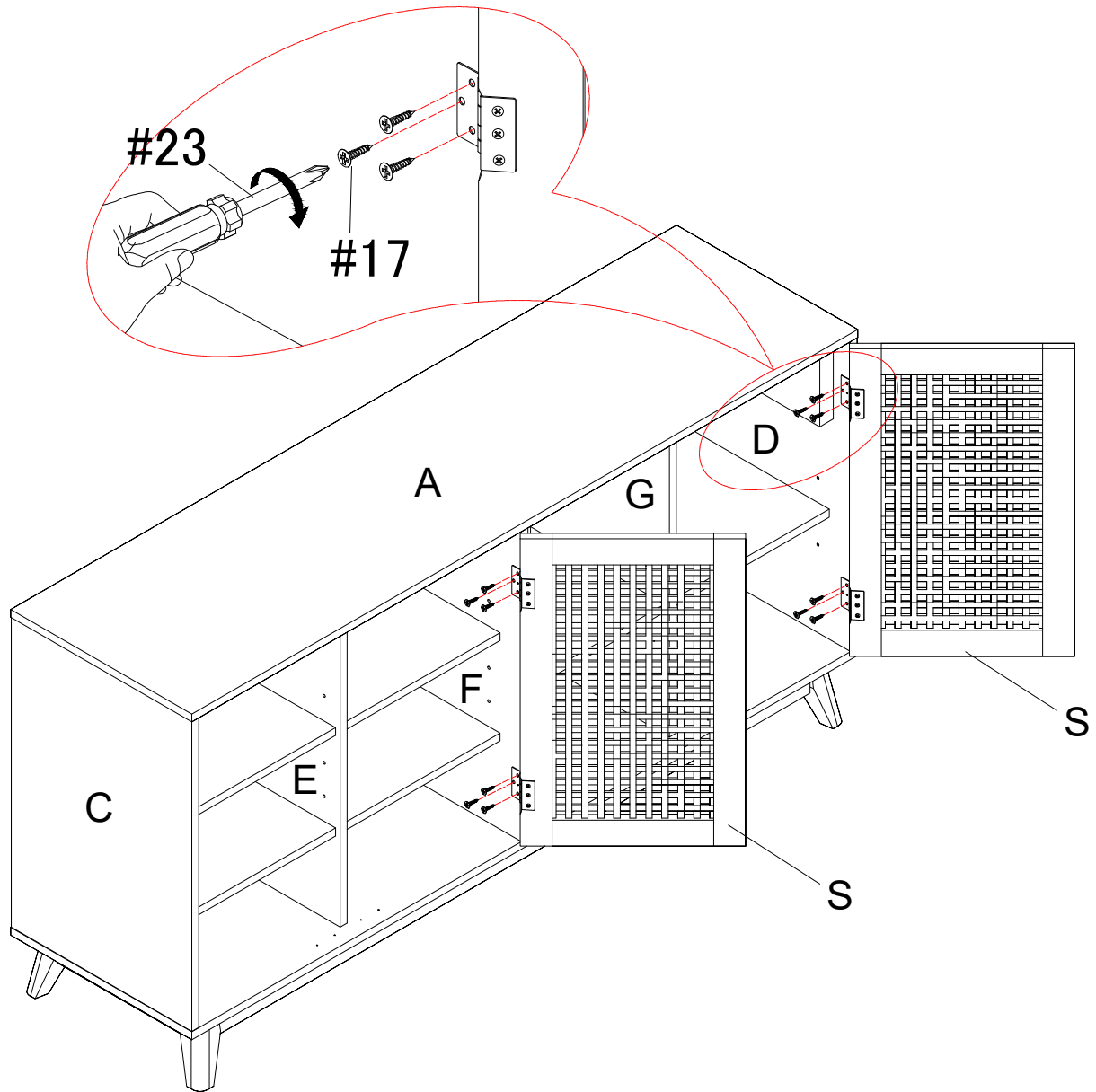


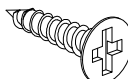
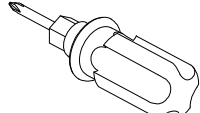
#12	x24
	

ASSEMBLY INSTRUCTIONS

STEP-17

Use screw #17 to attach door (S) to the corresponding hole of side panel (D)&(F), tighten screw with screwdriver #23.

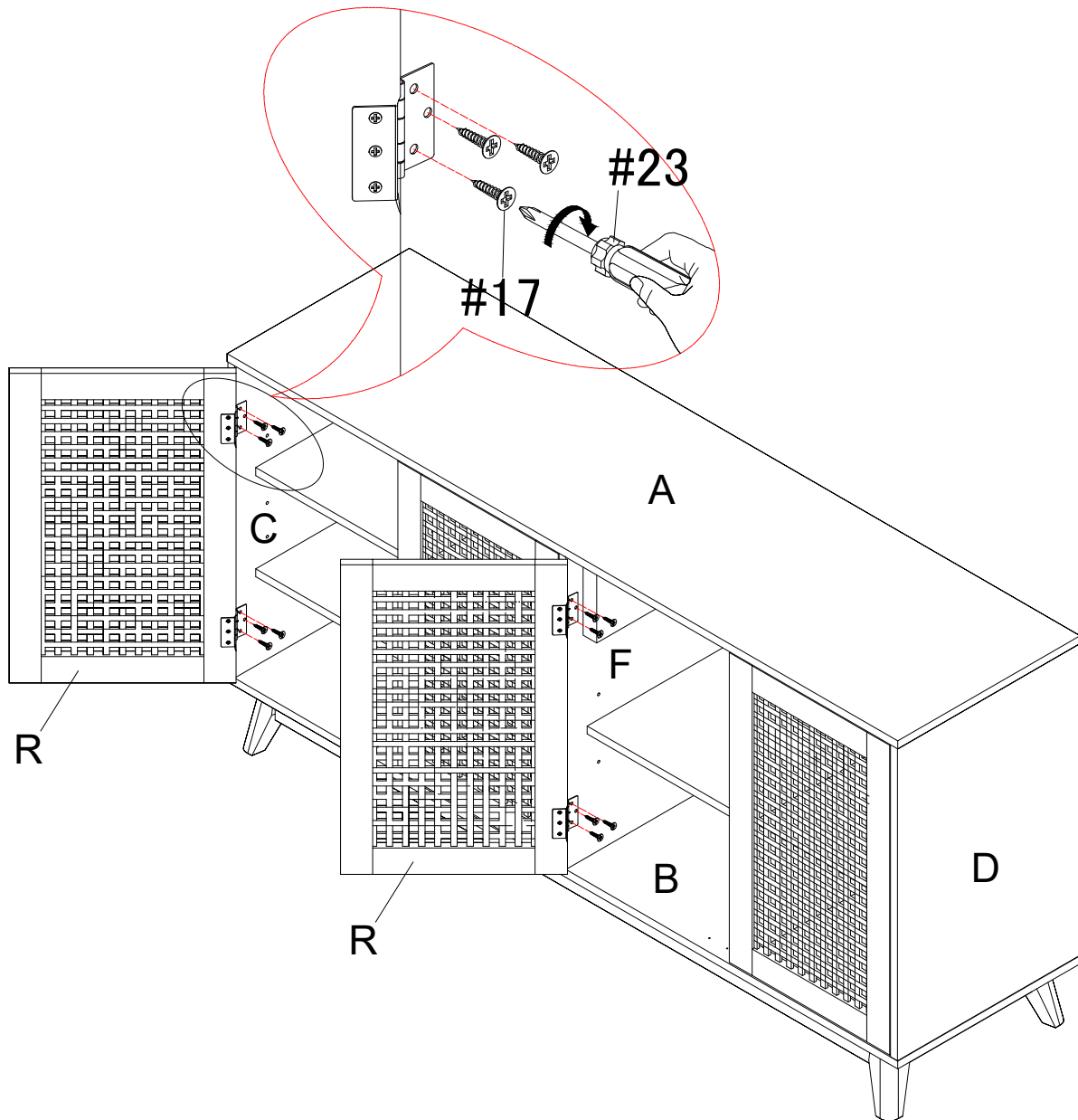


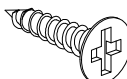
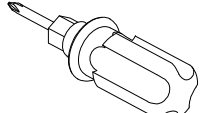
#17	x12	#23	x1
			

ASSEMBLY INSTRUCTIONS

STEP-18

Use screw #17 to attach door (R) to the corresponding hole of side panel (C)&(F), tighten screw with screwdriver #23.

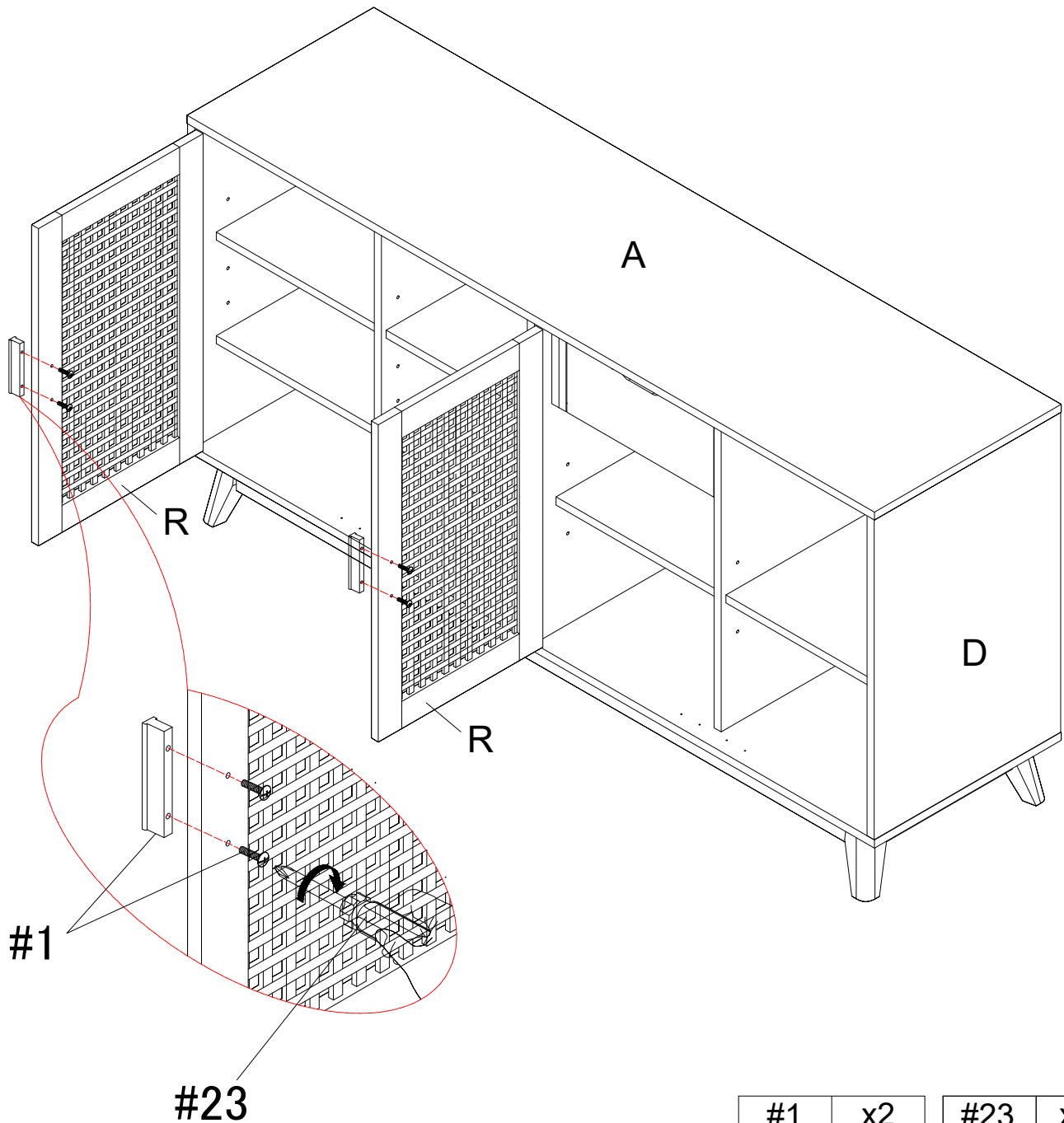


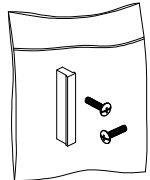
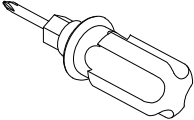
#17	x12	#23	x1
			

ASSEMBLY INSTRUCTIONS

STEP-19

Use screw#1 to attach handle#1 to the corresponding hole of door(R) , tighten screw with screwdriver#23.

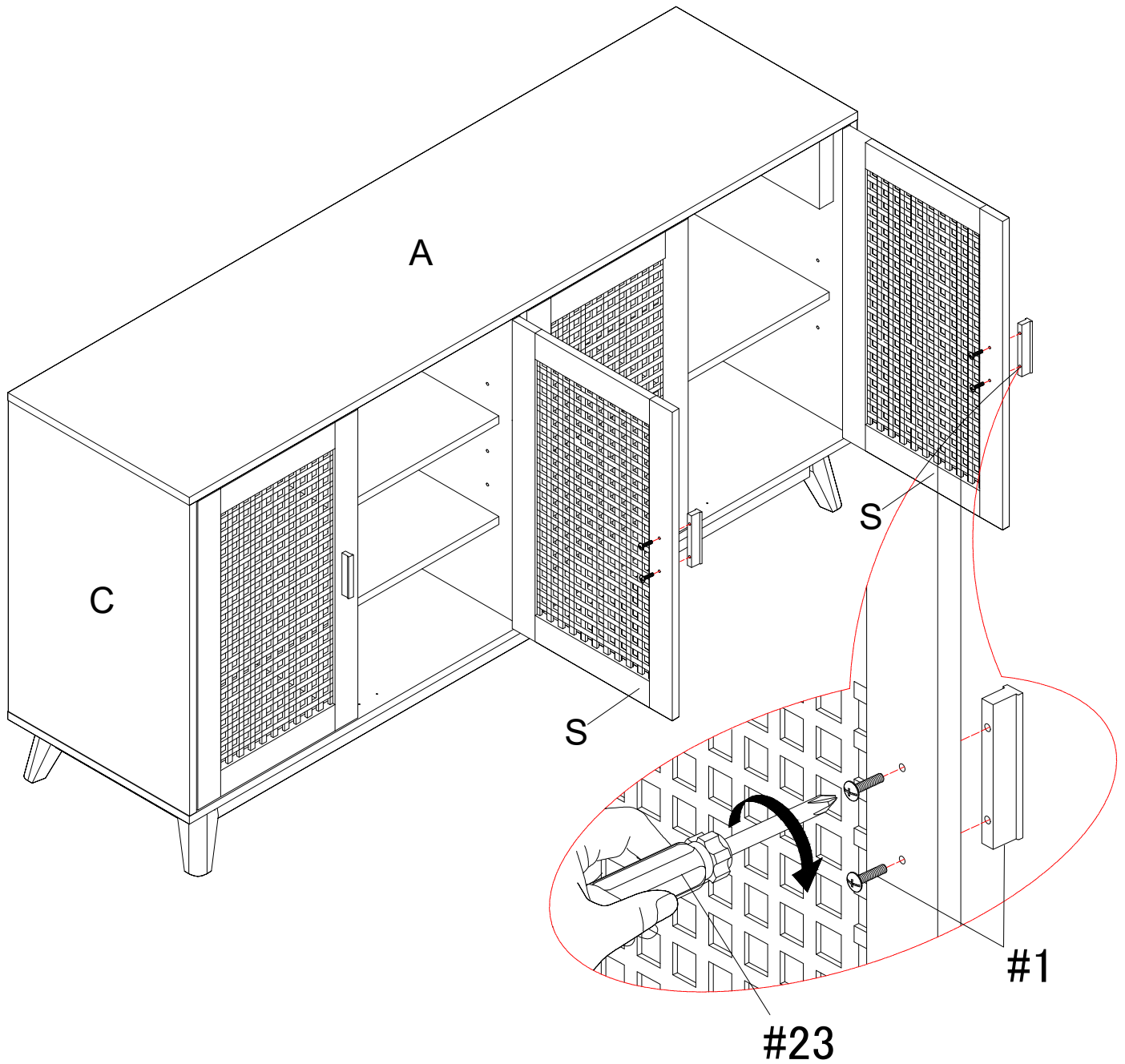


#1	x2	#23	x1
			

ASSEMBLY INSTRUCTIONS

STEP-20

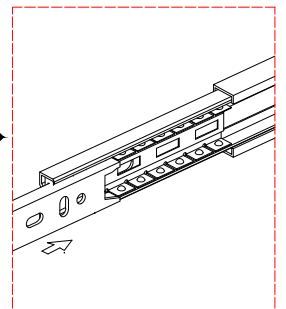
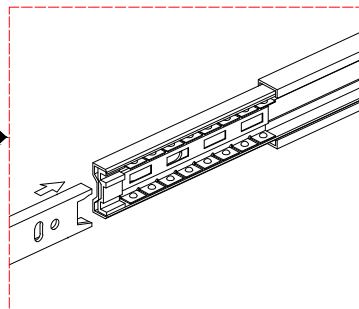
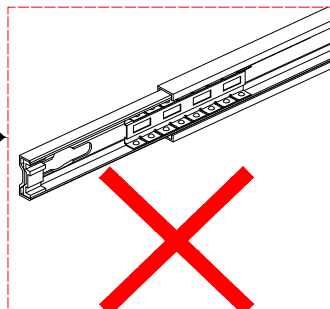
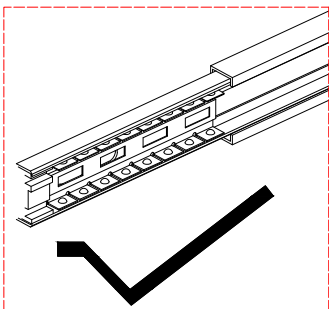
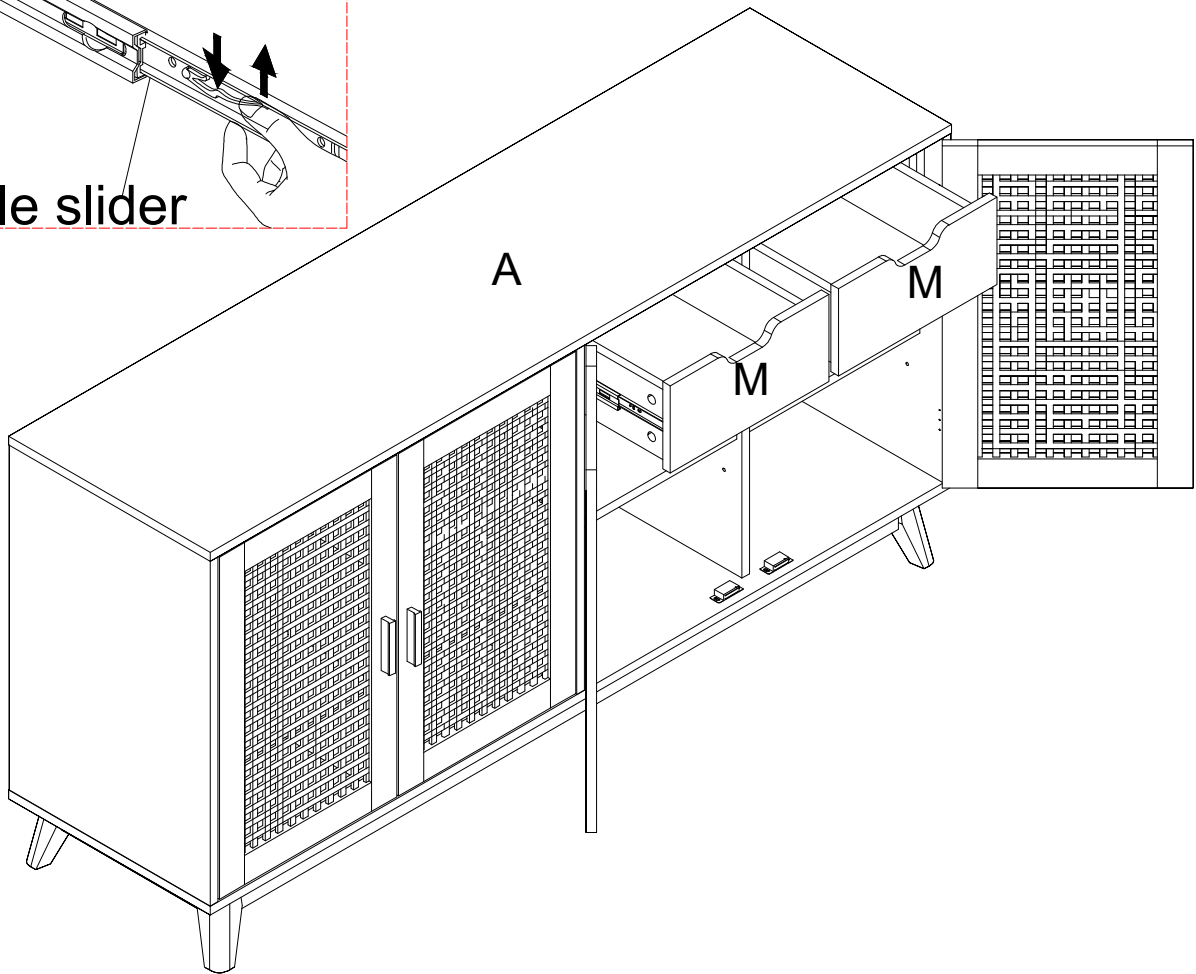
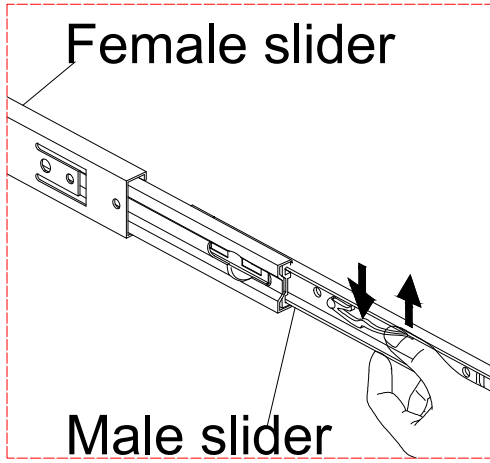
Use screw#1 to attach handle#1 to the corresponding hole of door(S) , tighten screw with screwdriver#23.



#1	x2	#23	x1

ASSEMBLY INSTRUCTIONS

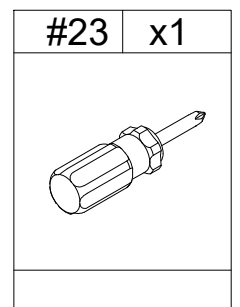
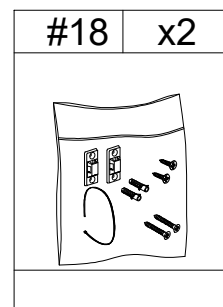
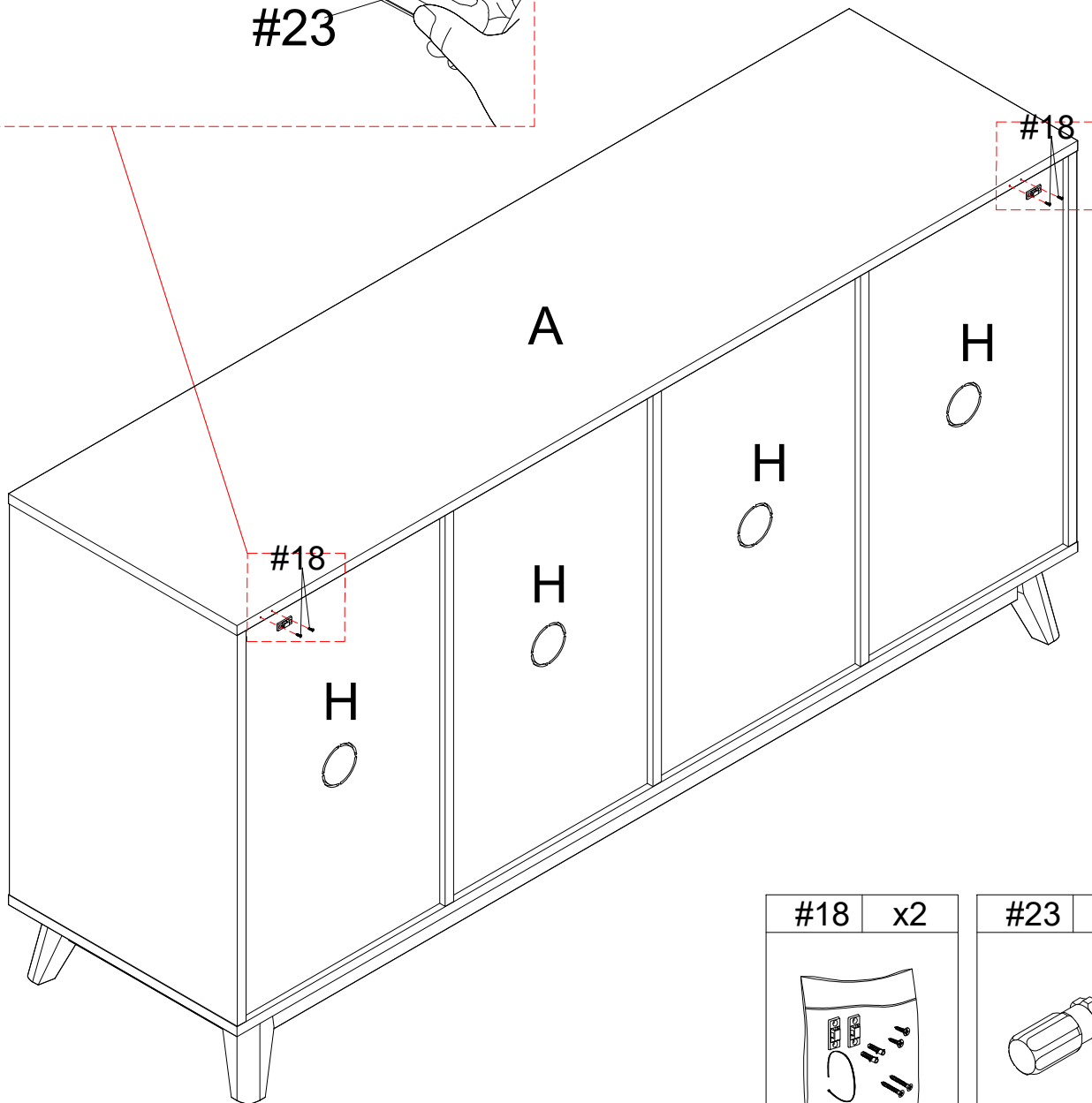
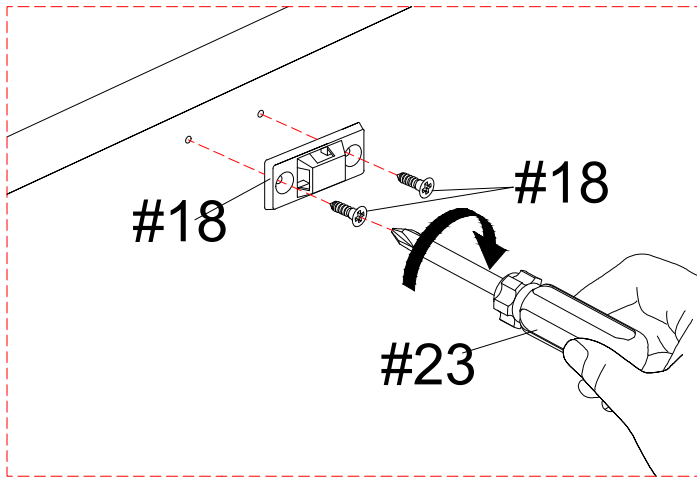
STEP-21



ASSEMBLY INSTRUCTIONS

STEP-22

1. Use nylon packaging #18 Inside screw to attach bracket to the corresponding hole of top panel(A), tighten screw with screwdriver #23.

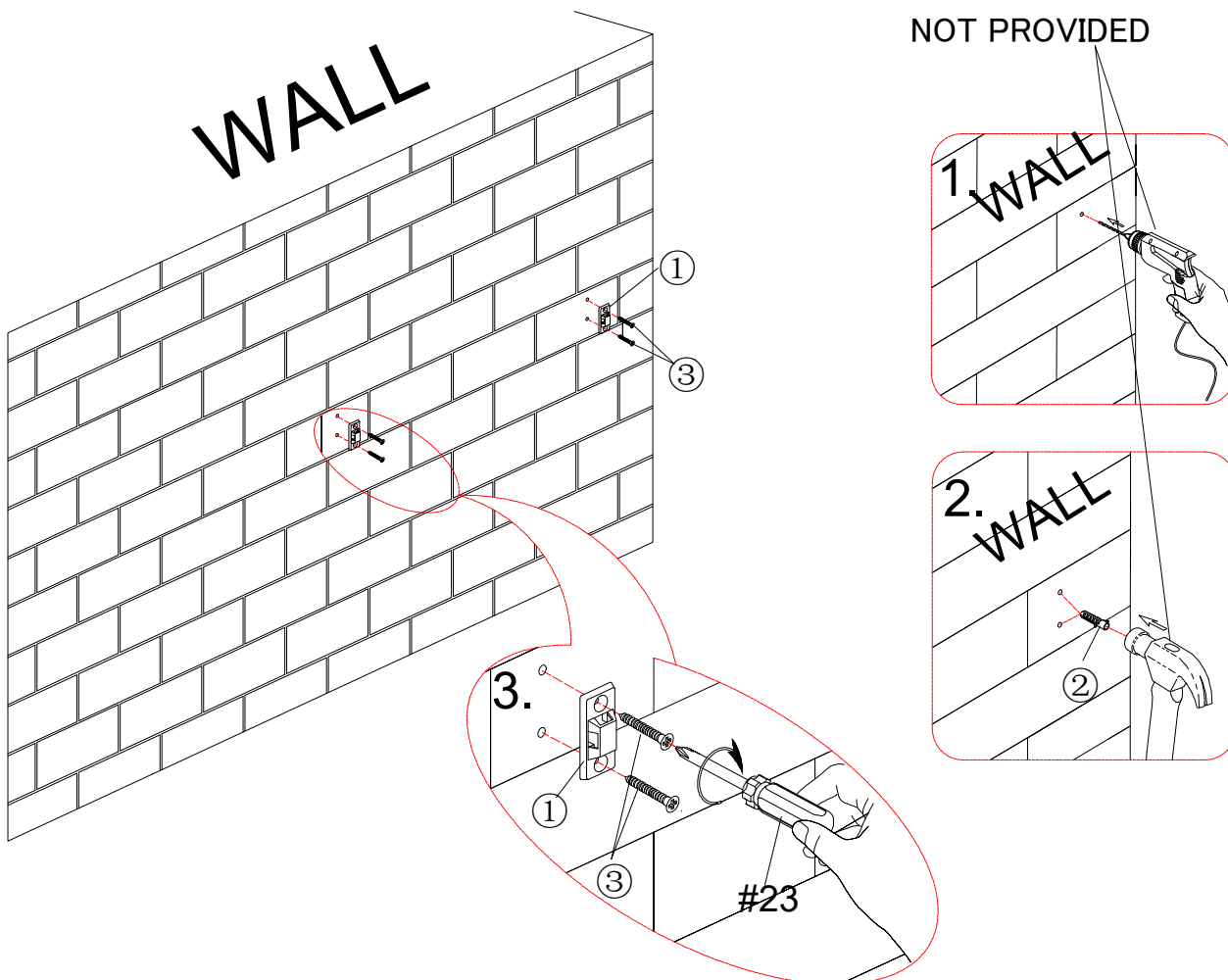


ASSEMBLY INSTRUCTIONS

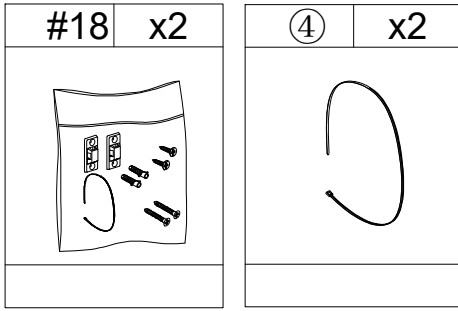
#18	x2	#23	x1	①	x2	②	x4	③	x4

STEP-23

1. Mark the position on the wall, that corresponds to the location of bracket ① on the back of top panel A; Drill and insert the expandable screw ② by hammer.
2. Assemble the bracket ① to the wall. Align the hole in the bracket ① with the expandable screw ②, use screw ③ to attach it, tighten screw ③ with screwdriver #23.

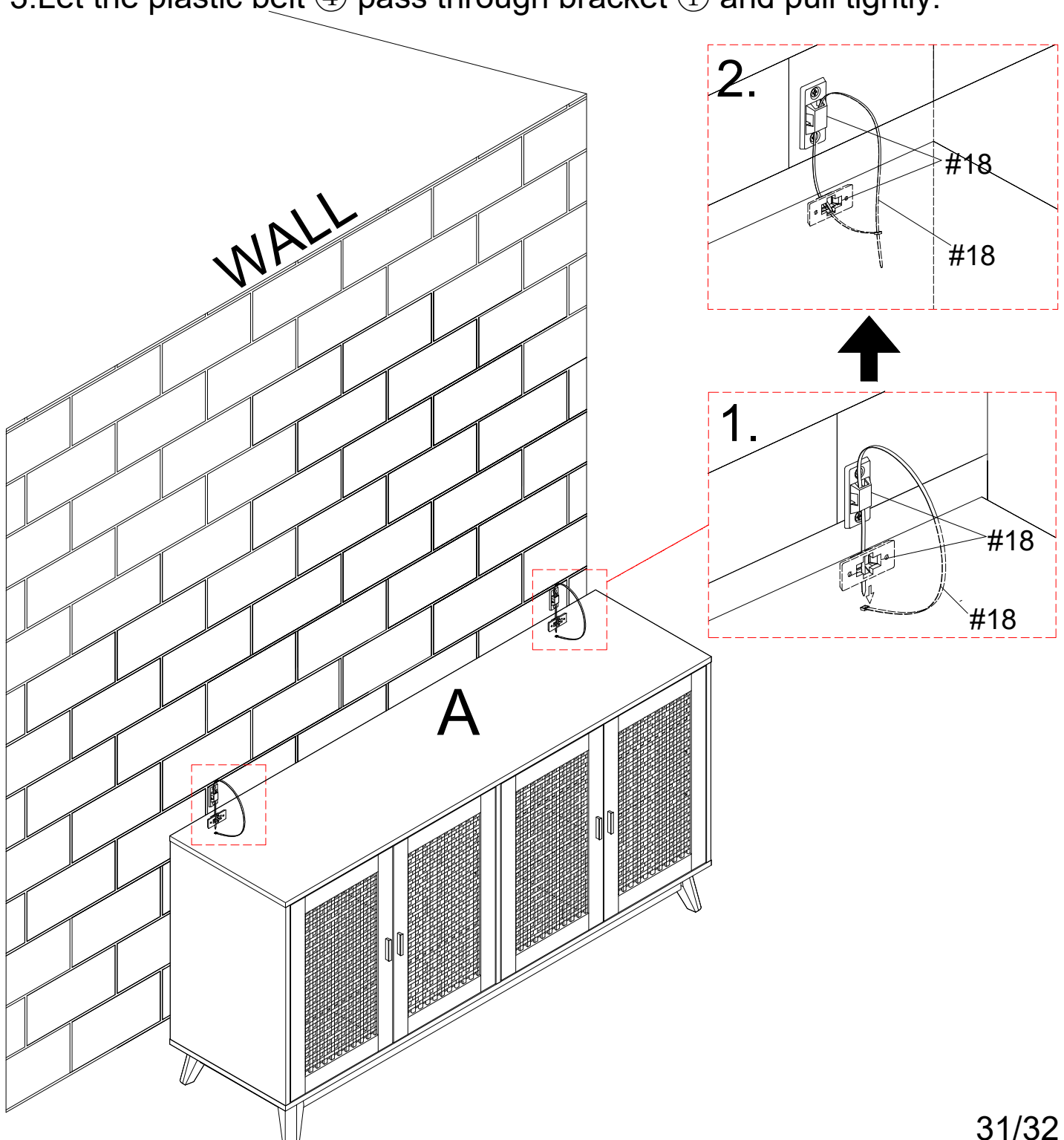


ASSEMBLY INSTRUCTIONS



STEP-24

3. Let the plastic belt ④ pass through bracket ① and pull tightly.



WARRANTY

1. We strive to offer high-quality products, and we also try our best to satisfy each and every customer that orders from us with product or service as needed.
2. We provide 30 days warranty starting from the time you receive the item. Each customer must provide a record of their order such as the order number, or item receipt for any items that are out of the warranty period you may also still receive.
3. Replacement parts by purchasing them with our company if they are available.

Are you having difficulty
With assembly? Missing parts?
Please send email with your order No to
customerservice@hulalahome.com
For return, please check the return policy with
the retailer or market place you bought from.

Appreciate your purchasing from us.
Pop up your life by our furniture piece!