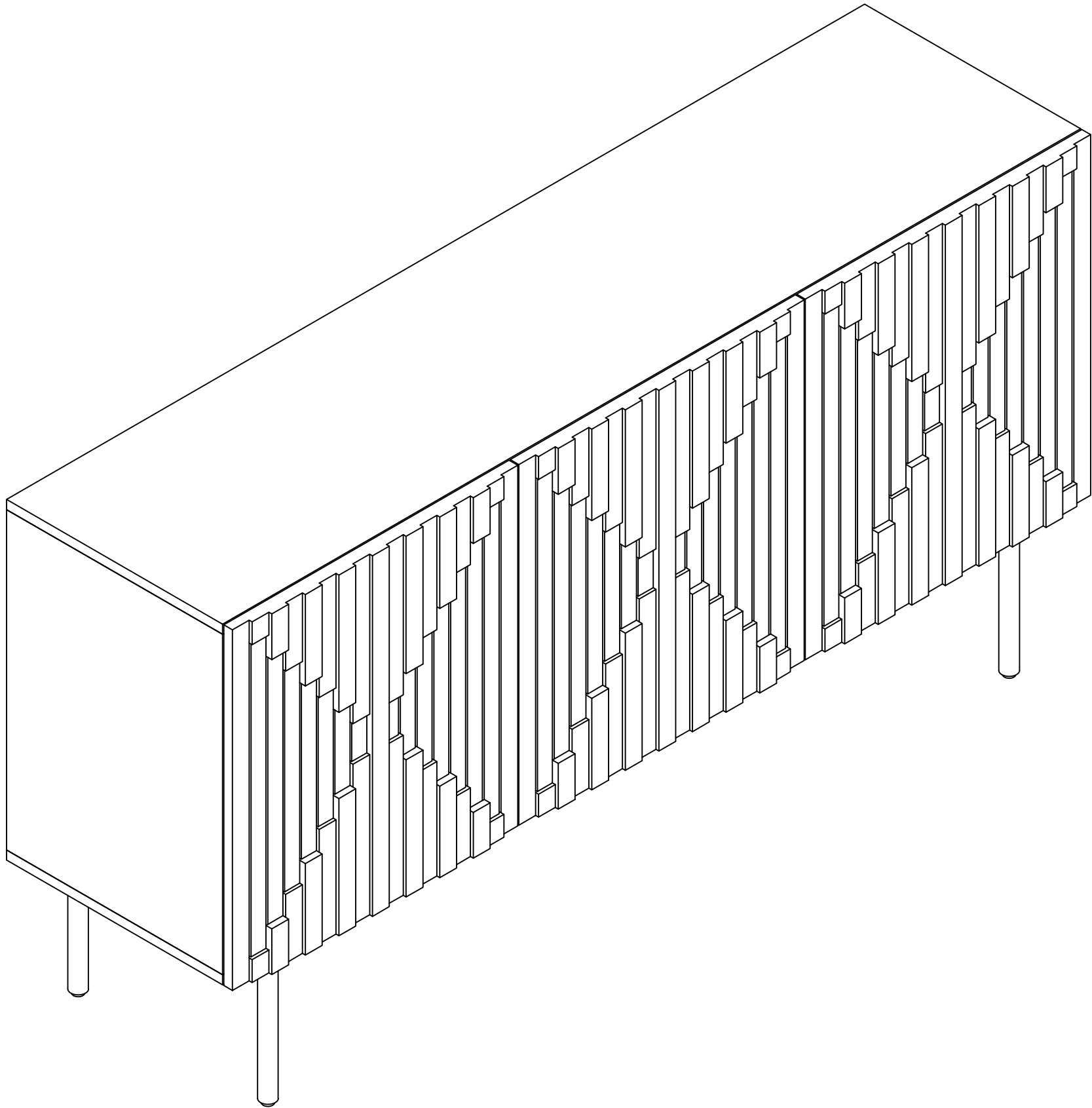


HULALA

H O M E



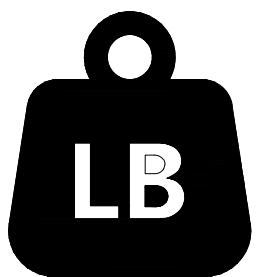
ITEM NO.SBPZ0887

NOTE:

This brochure contains IMPORTANT safty info. Please read and keep for future reference.

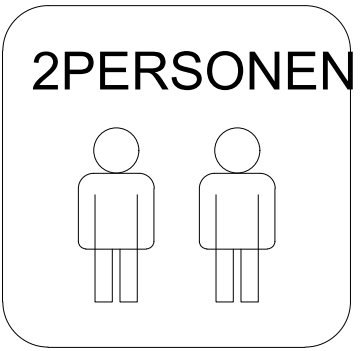
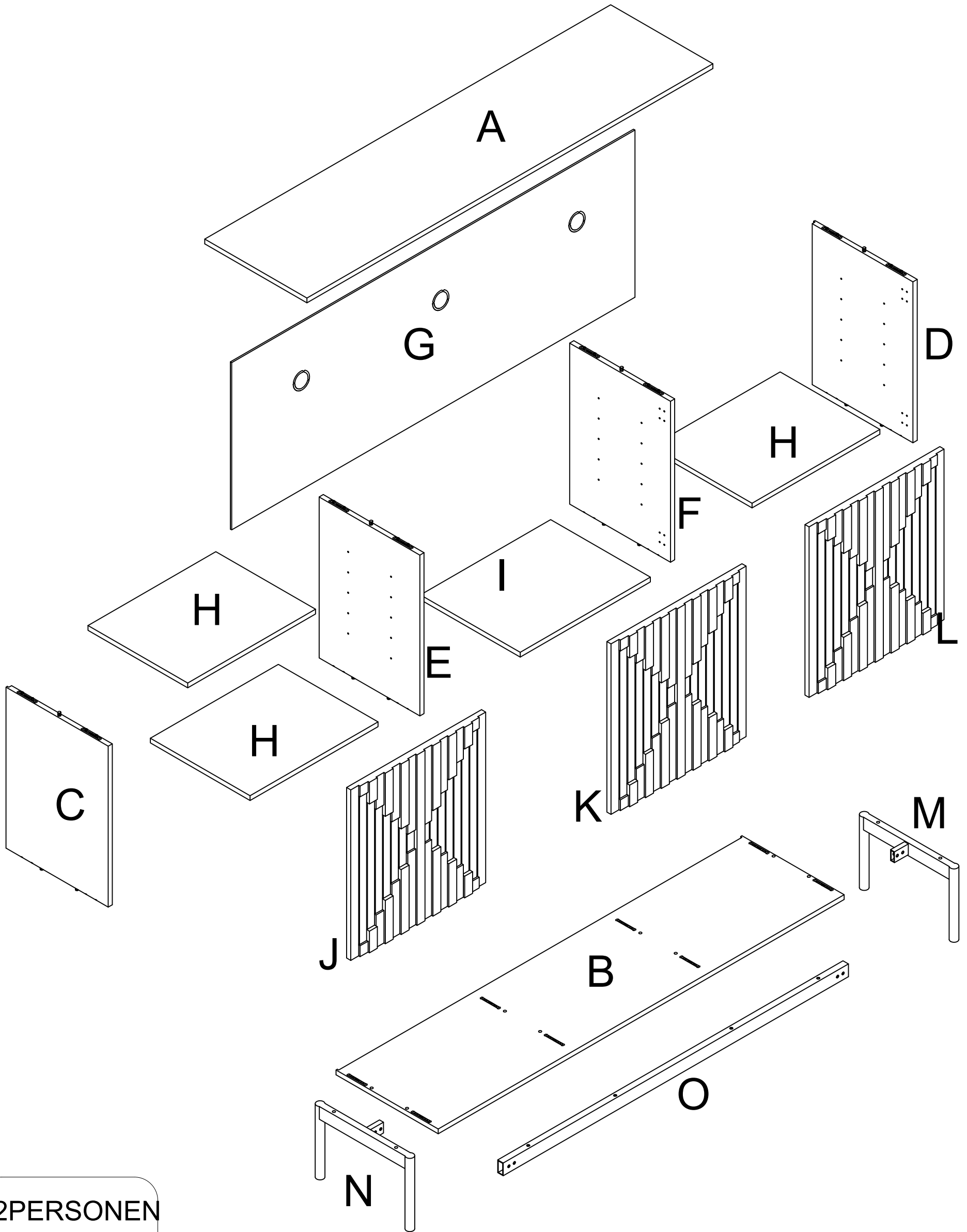
MAINTAINANCE AND WARNING

- 1.Keep furniture away from heat sources.
- 2.Do not clean furniture with harsh cleaner or polishes.Do not use detergents,solvents,abrasives,spray packs or leather cleaner. Use non-color mild soa with warm water to clean spills(Mix 1:10 soap to water).
- 3.Do not place furniture under direct sunlight,material will possibly fade over time.
- 4.Do not use on site dry cleaning machine.Children should not climb or jump on the furniture.
- 5.Do not write on furniture that is not protectedby a padded barrier.
- 6.Not for commercial use,only for residential use.

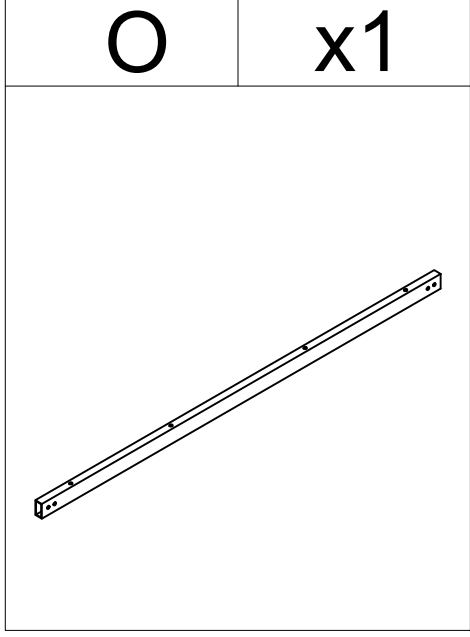
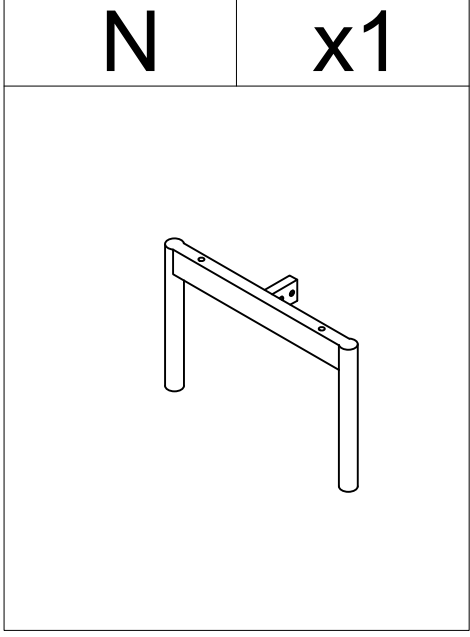
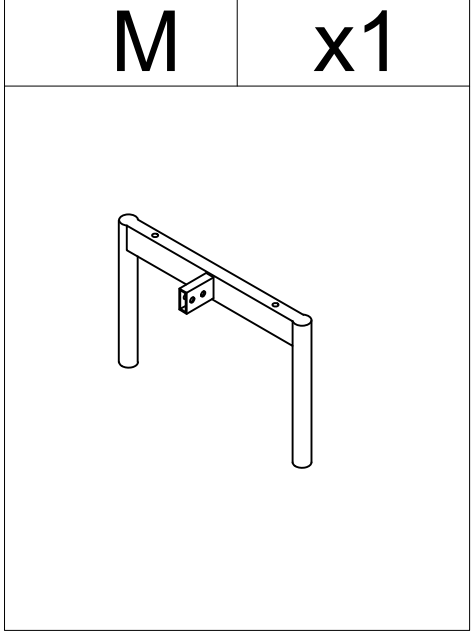
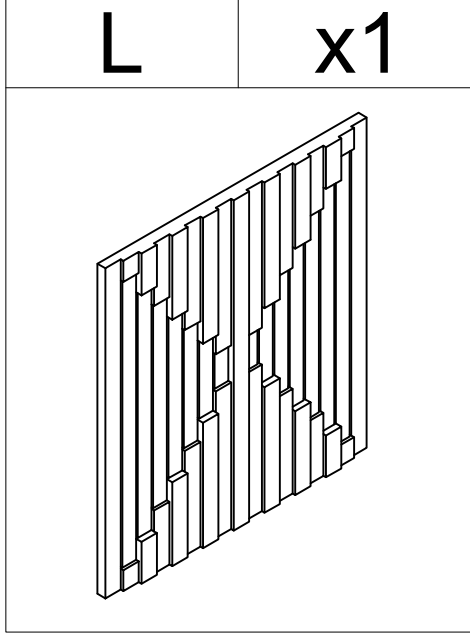
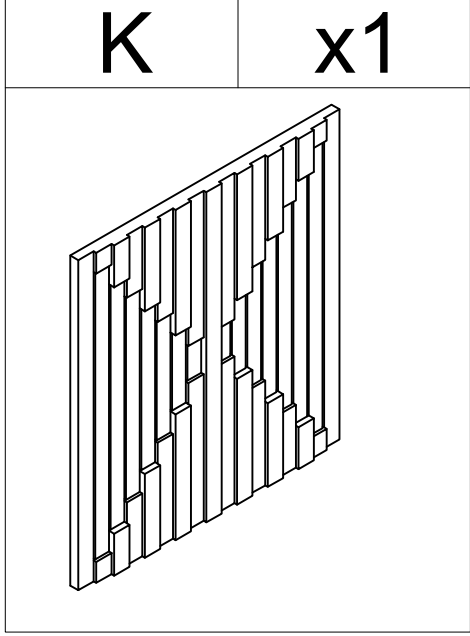
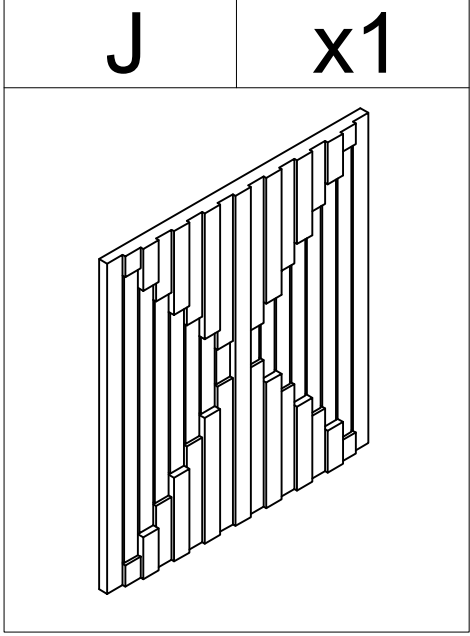
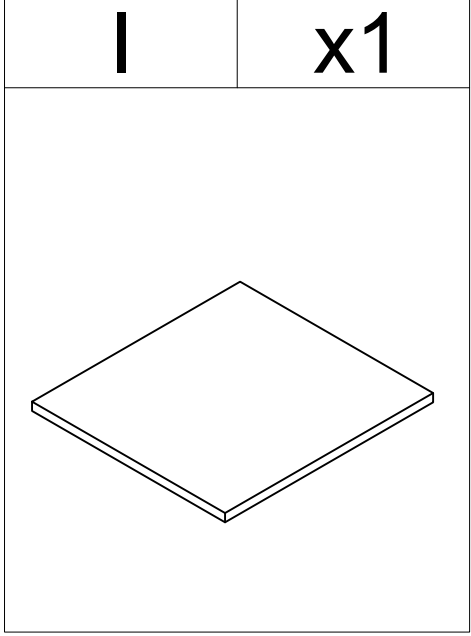
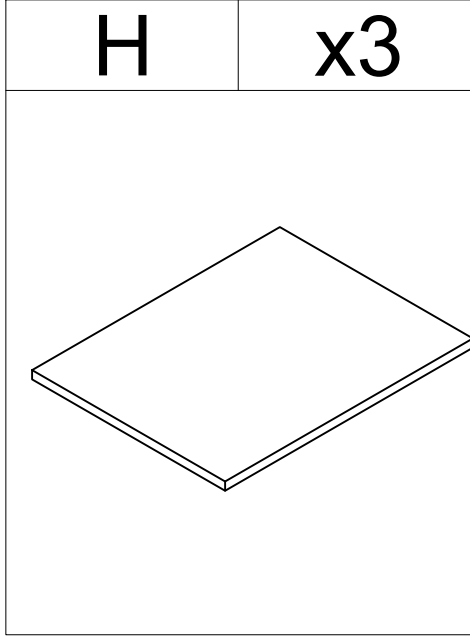
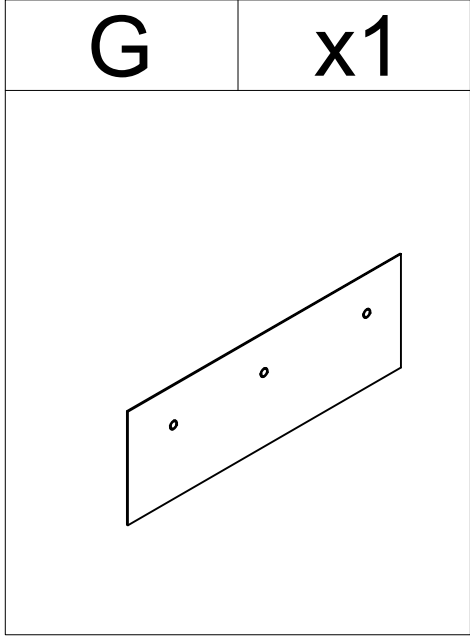
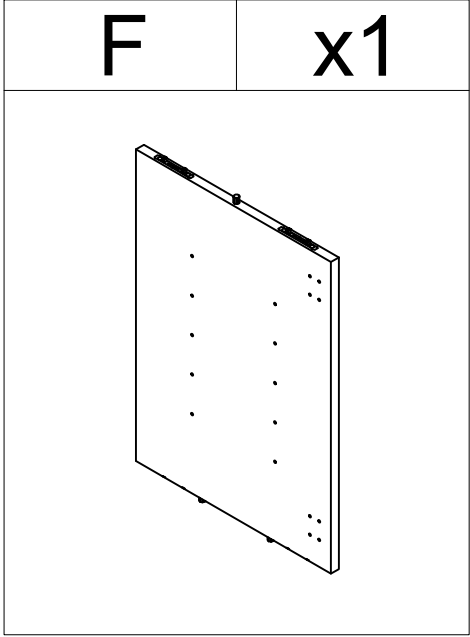
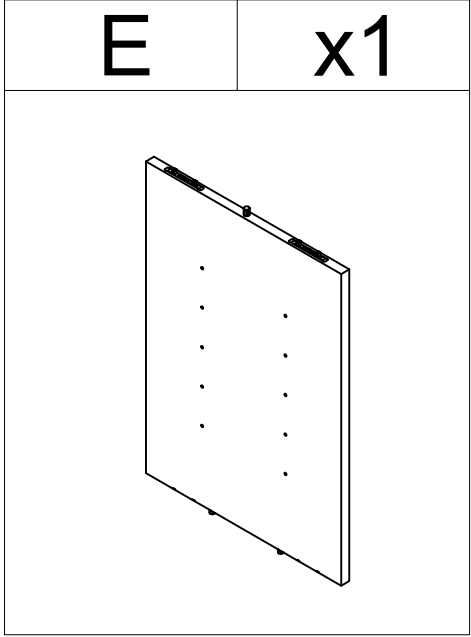
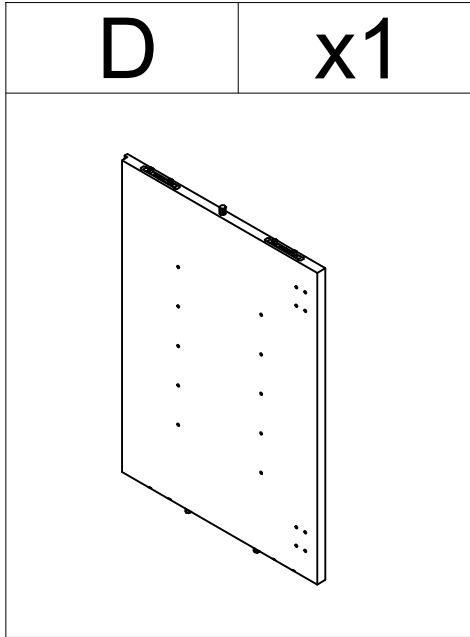
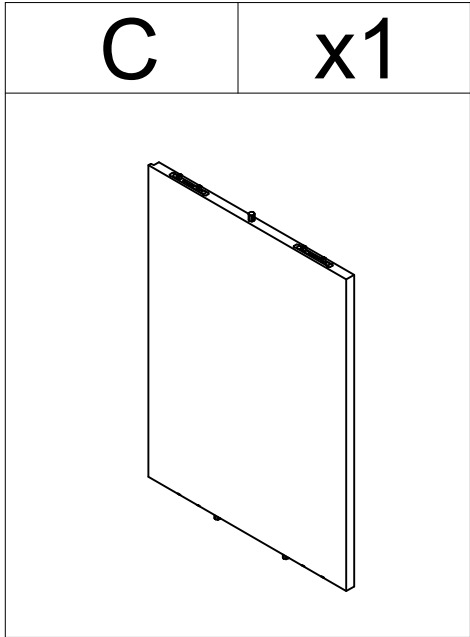
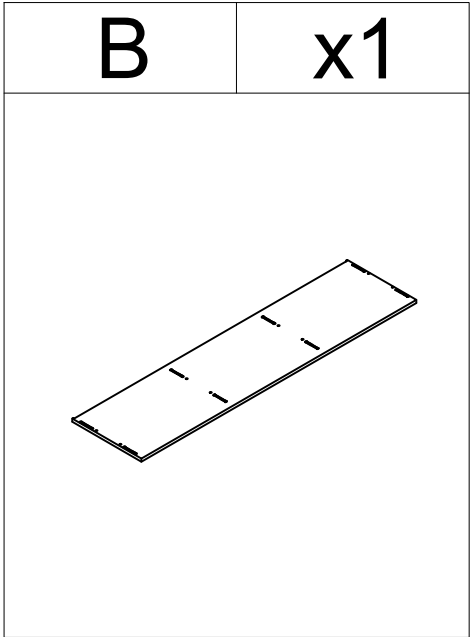
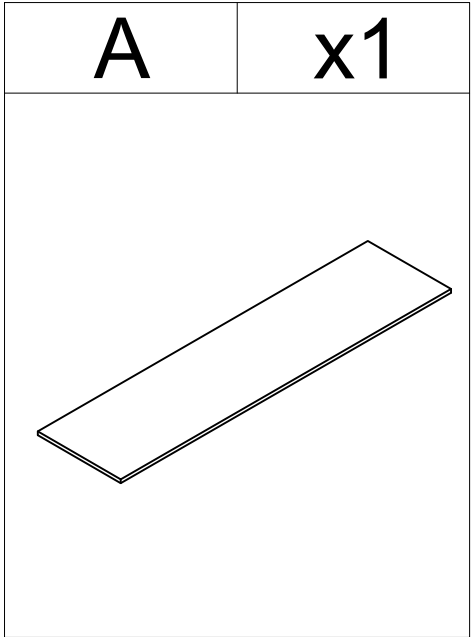


Weight Limitation

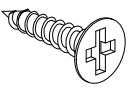
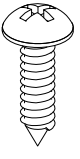
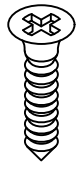
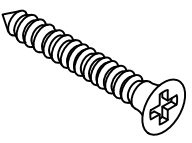
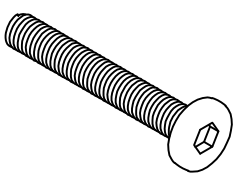
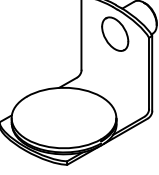
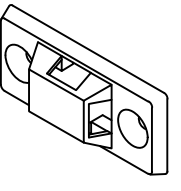
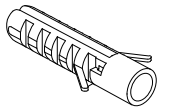

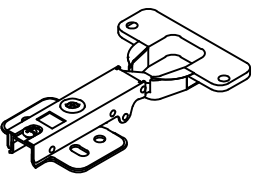
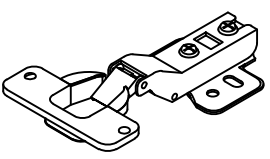
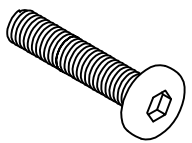
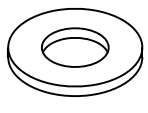
100 LBS



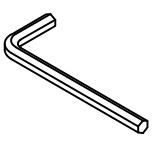
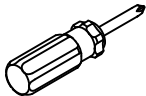
PARTS LIST



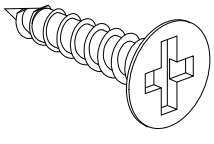
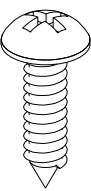

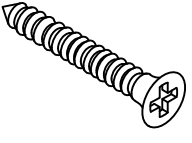
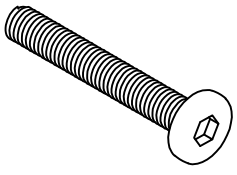
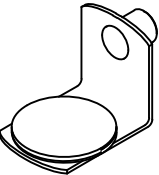
HARDWARE LIST

#1	x36	#2	x28	#3	x4	#4	x4	#5	x8	#6	x16
											
Ø3.5*15mm		Ø3*15mm		Ø3*16mm		Ø3.5*35mm		φ1/4"*2"			
#7	x4	#8	x4	#9	x2	#10	x4	#11	x2	#12	x4
											
										1/4"*1/2"	
#13	x8										
											

TOOL LIST

#14	x1	#15	x1
			
M4			

HARDWARE SPARE LIST

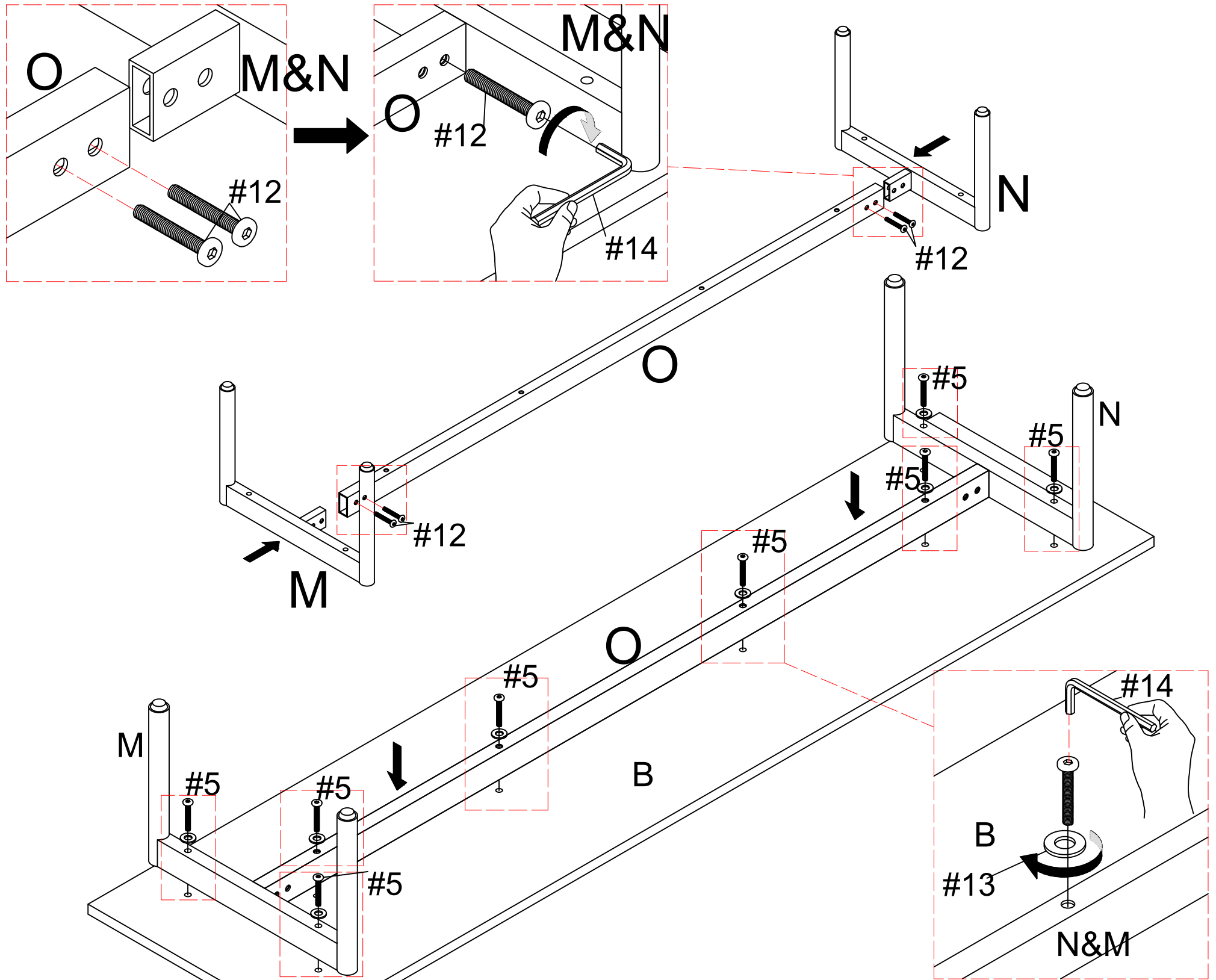
#1	x1	#2	x1	#3	x1	#4	x1	#5	x1	#6	x1
											
				Ø3*16mm		Ø3.5*35mm		Ø1/4"*2"			

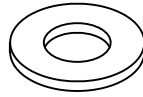
ASSEMBLY INSTRUCTIONS

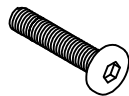
STEP-1

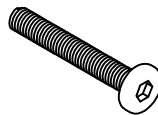
1. Aligned part (O) with leg(N&M) and then insert part (O) into part (N&M), make sure all holes aligned and use bolt #12 to attach them, tighten screw #12 with allen key #14.

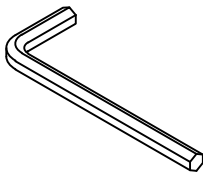
Insert leg stand into the bottom (B), make sure all holes aligned and then use bolt #5 & spring washer #13 to attach them, tighten screw #5 with allen key #14.



#13	x8
	

#12	x4
	
1/4" * 1/2"	

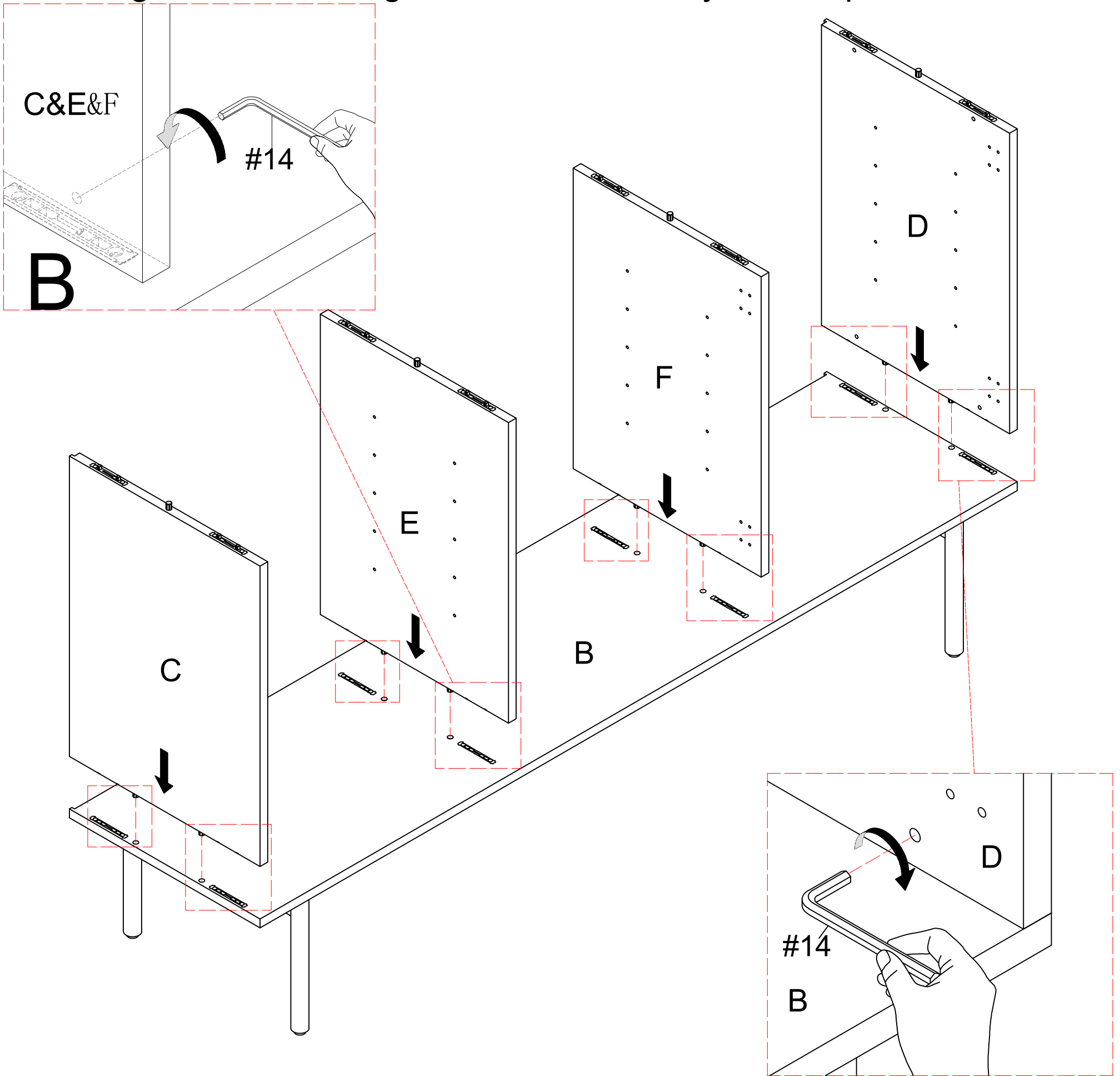
#5	x8
	
Ø1/4" * 2"	

#14	x1
	

ASSEMBLY INSTRUCTIONS

STEP-2

1. Insert side panel (C & D & E & F) into bottom panel (B), make sure all holes aligned and then tighten it with allen key #14 as picture show.



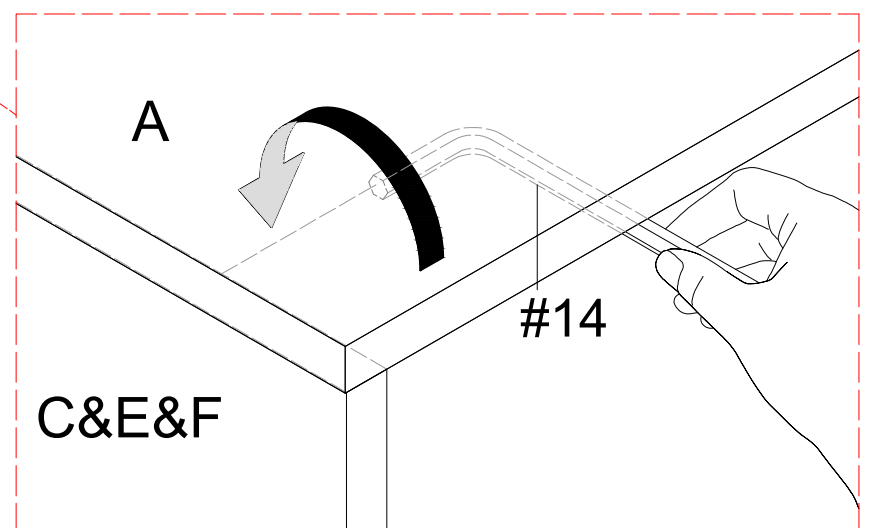
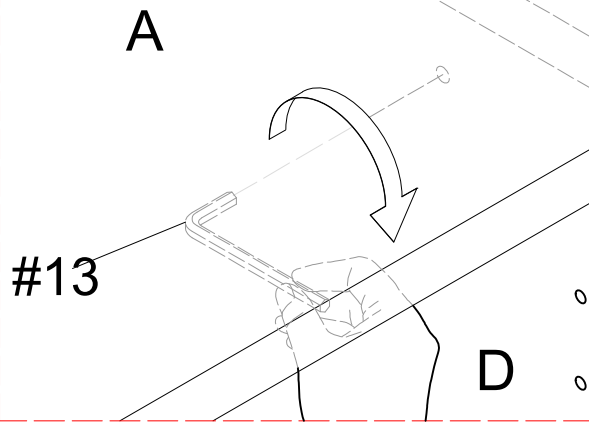
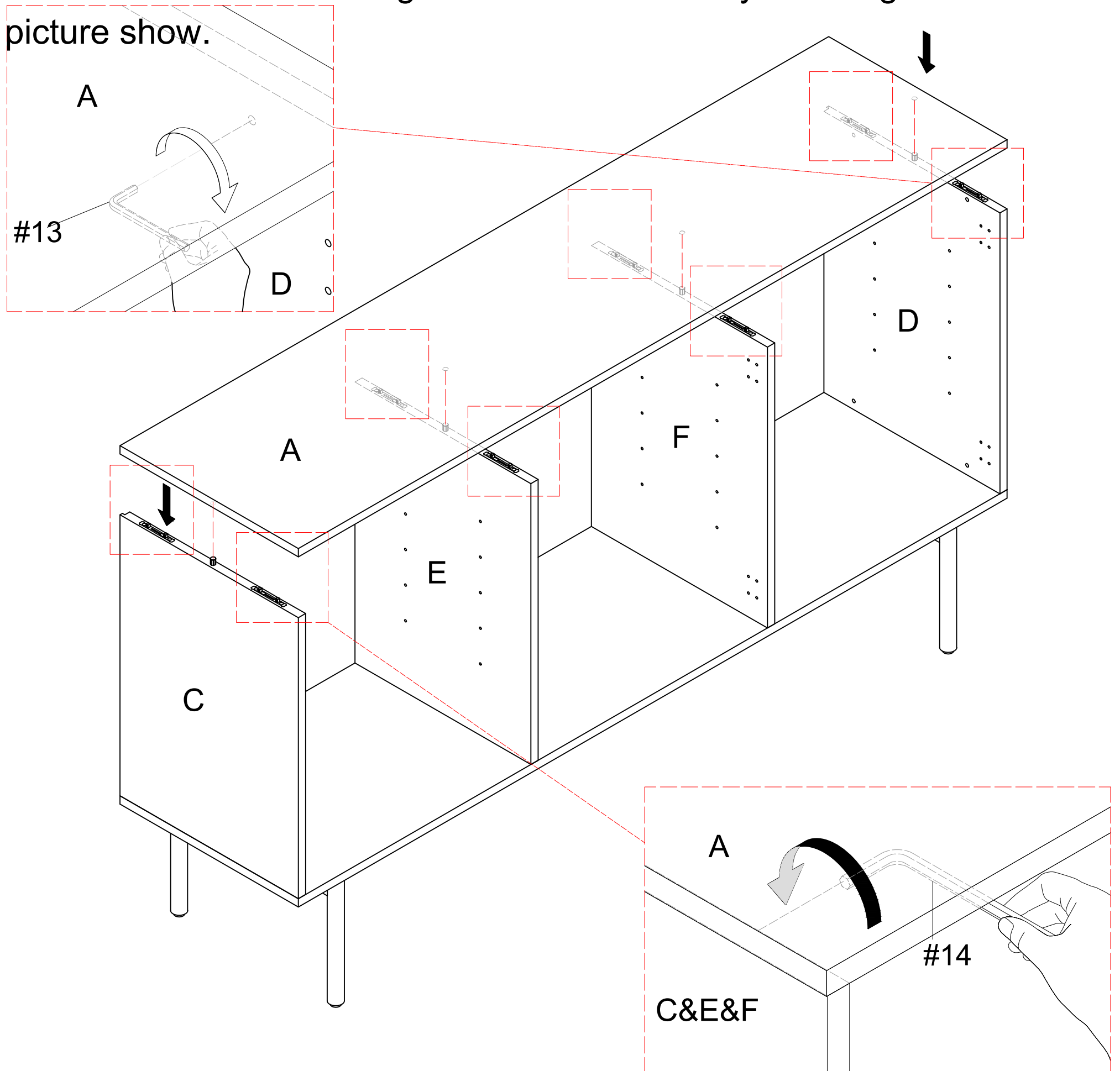
#14	x1

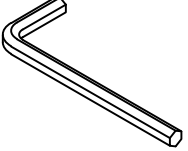
ASSEMBLY INSTRUCTIONS

STEP-3

1. Insert top panel(A) into the corresponding hole of preassembled step 2, make sure all holes aligned and use allen key#14 to tighten it as

picture show.

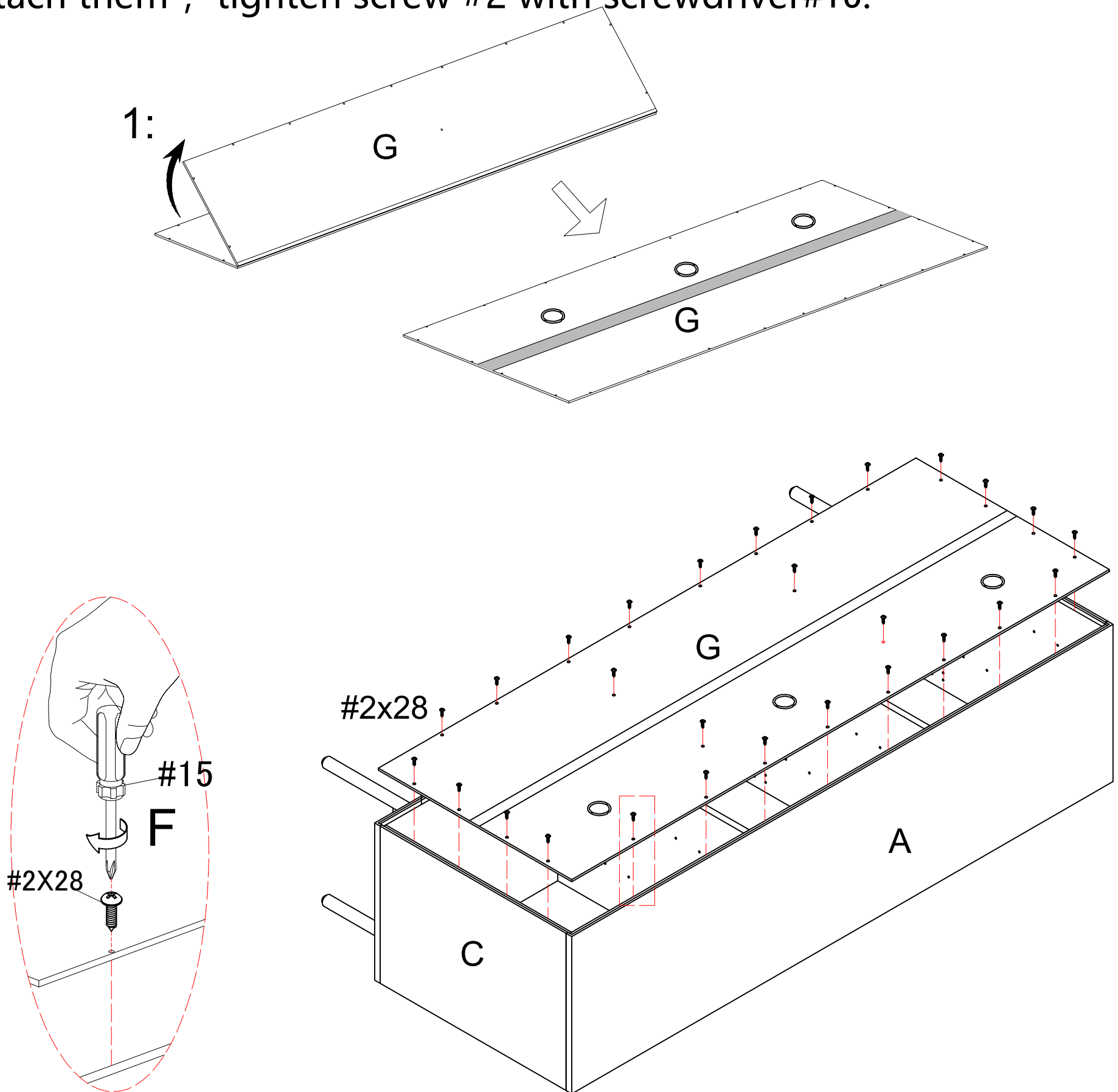


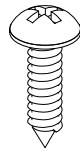
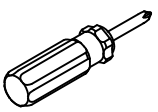
#14	x1
	
M4	

ASSEMBLY INSTRUCTIONS

STEP-4

1. Open the back panel (G), insert back panel (G) into the groove of preassembled step 3, make sure all holes aligned and use screw #2 to attach them, tighten screw #2 with screwdriver #15.

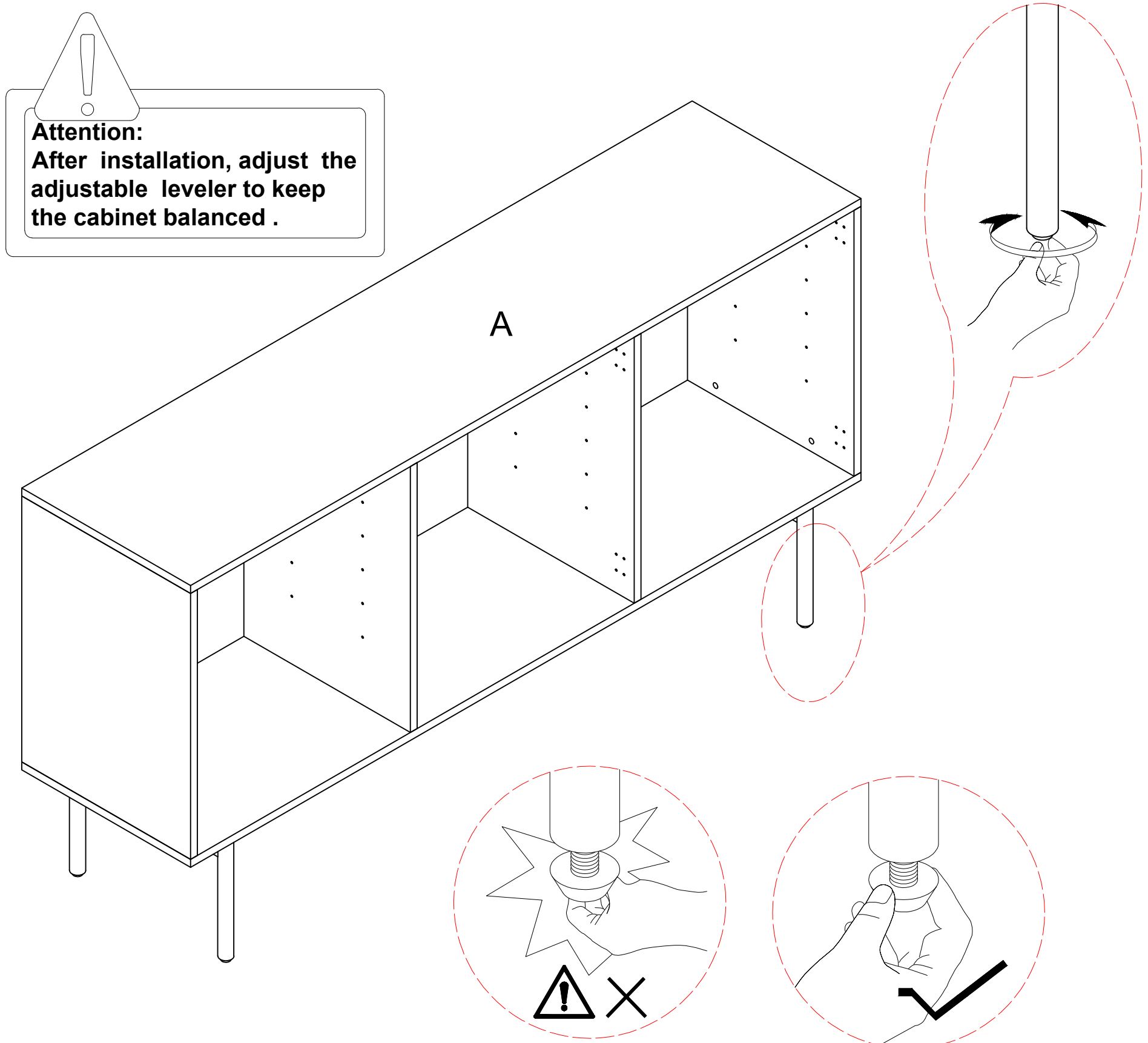


#2	x28	#15	x1
			
Ø3*15mm			

ASSEMBLY INSTRUCTIONS

STEP-5

1. Attention: After installation, adjust the adjustable leveler to keep the cabinet balanced .

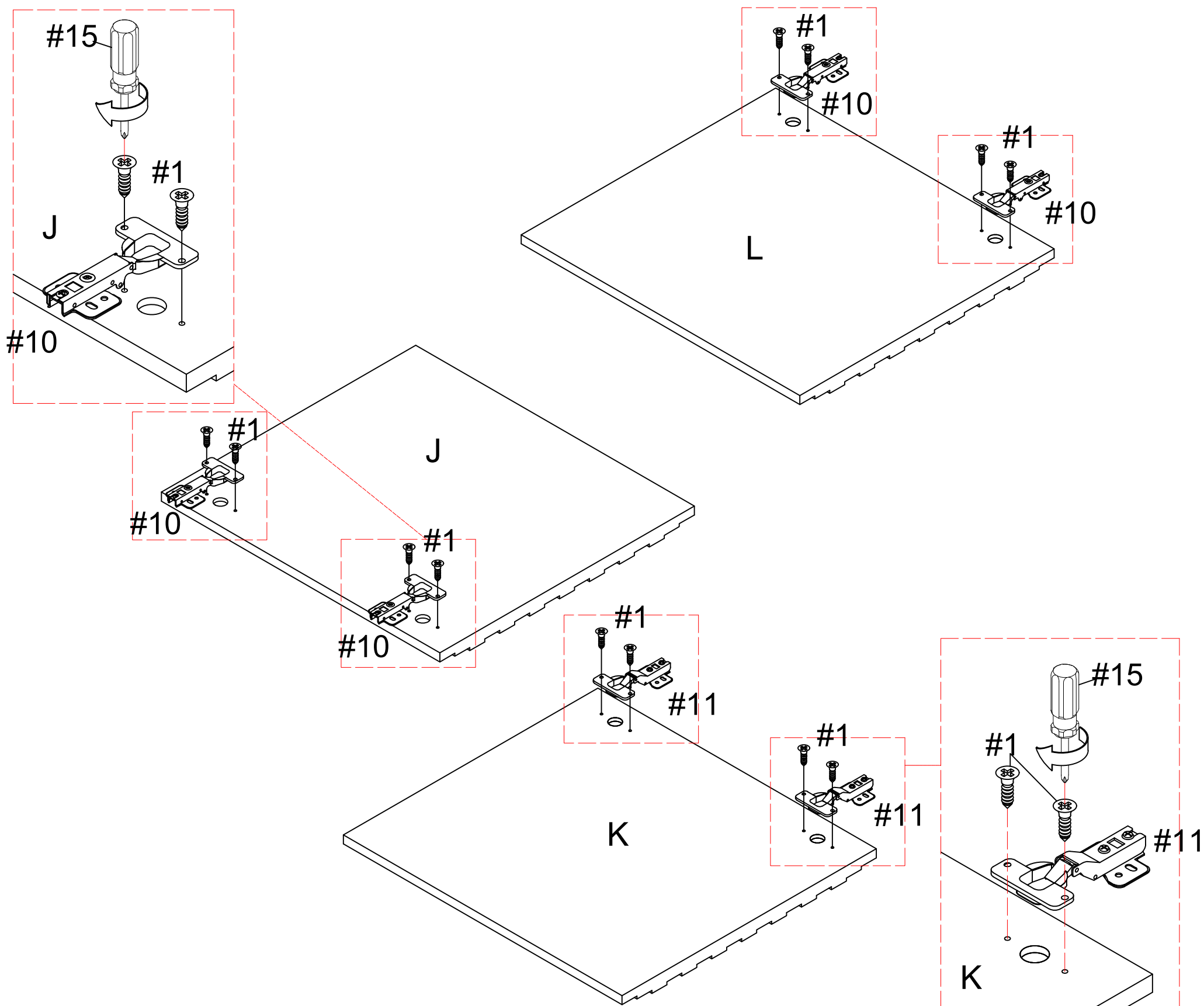


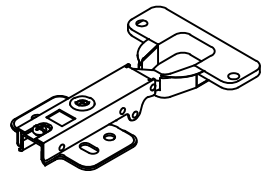
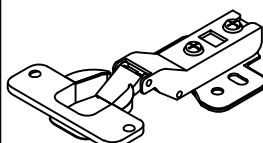

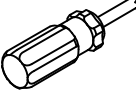
ASSEMBLY INSTRUCTIONS

STEP-6

1. Use screw #1 to attach hinge #10 to door (J)&(L), tighten screw #1 with screwdriver #15.

2. Use screw #1 to attach hinge #11 to door (K), tighten screw #1 with screwdriver #15.

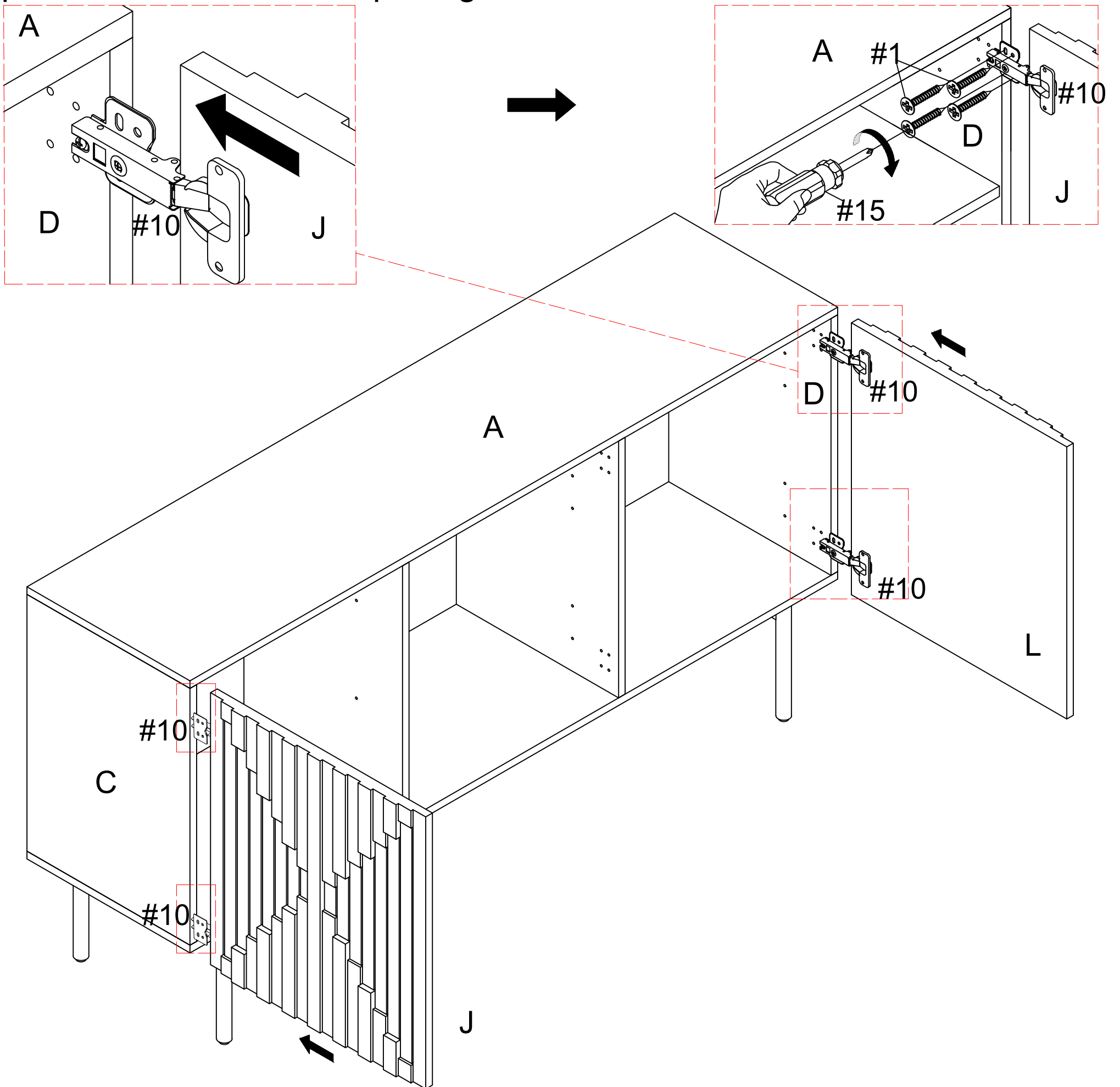


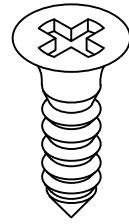
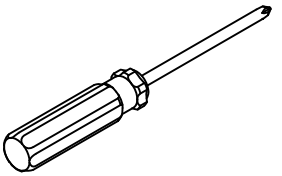
#10	x4	#11	x2	#1	x12	#15	x1
							
				Ø3.5*15mm			

ASSEMBLY INSTRUCTIONS

STEP-7

1. Use screw #1 to attach left door (J) and right door (L) to pre-assemble unit at step 5, tighten screw with screwdriver #15.

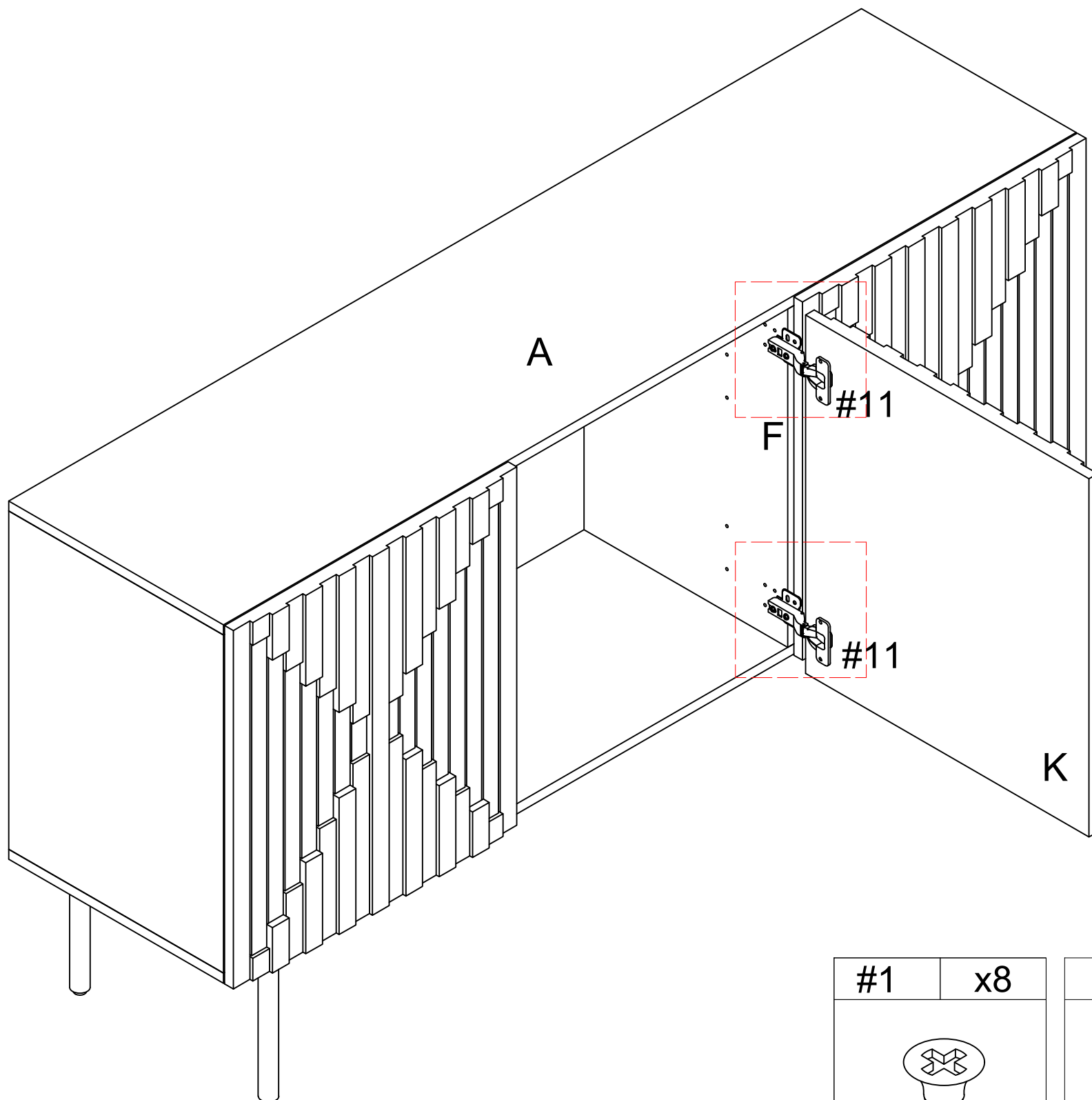
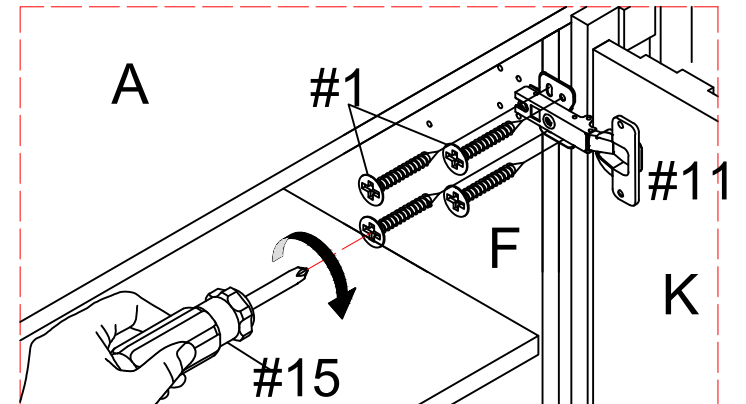
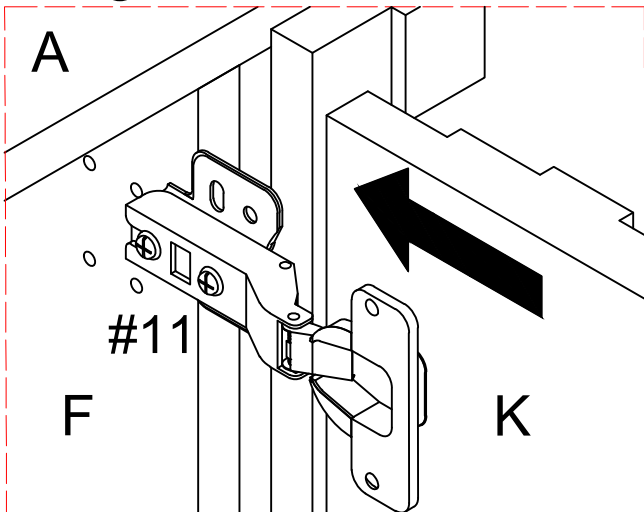


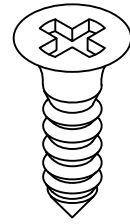
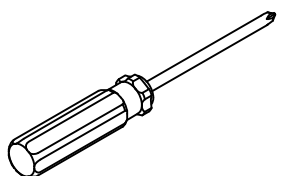
#1	x16	#15	x1
			
Ø3.5*15mm			

ASSEMBLY INSTRUCTIONS

STEP-8

1. Use screw #1 to attach middle door (K) to pre-assemble unit at step 7, tighten screw with screwdriver #15.

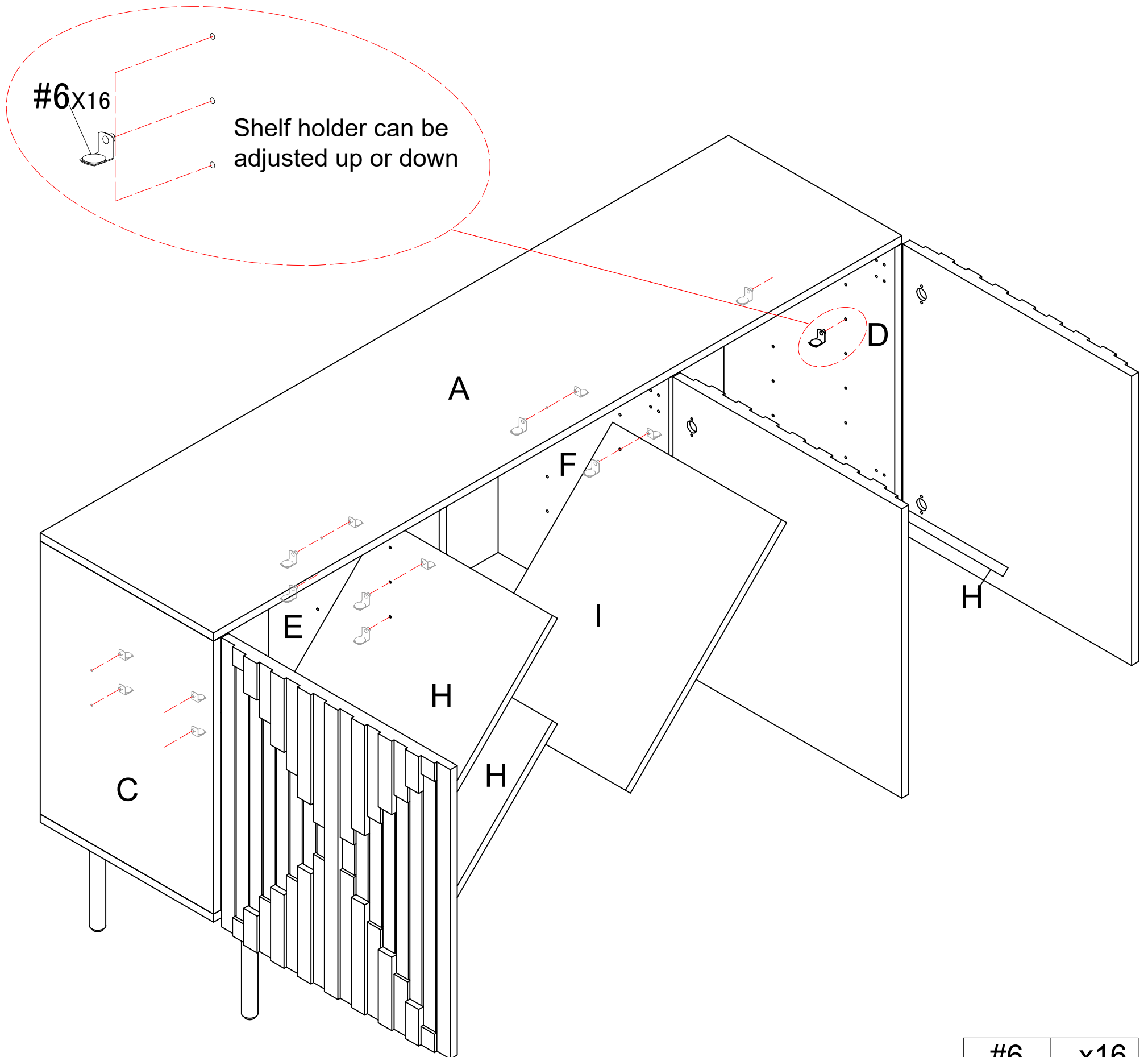


#1	x8	#15	x1
			
Ø3.5*15mm			

ASSEMBLY INSTRUCTIONS

STEP-9

1. Insert shelf holder #6 into the corresponding hole of panel (C)&(D)&(E)&(F) and then attach panel (H&I) to it.

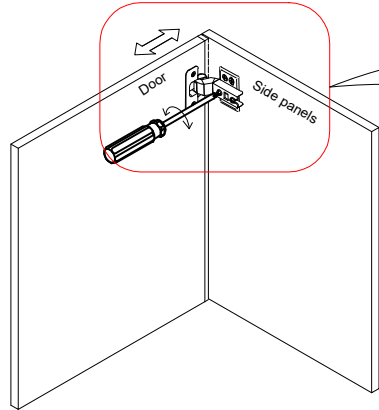


#6	x16

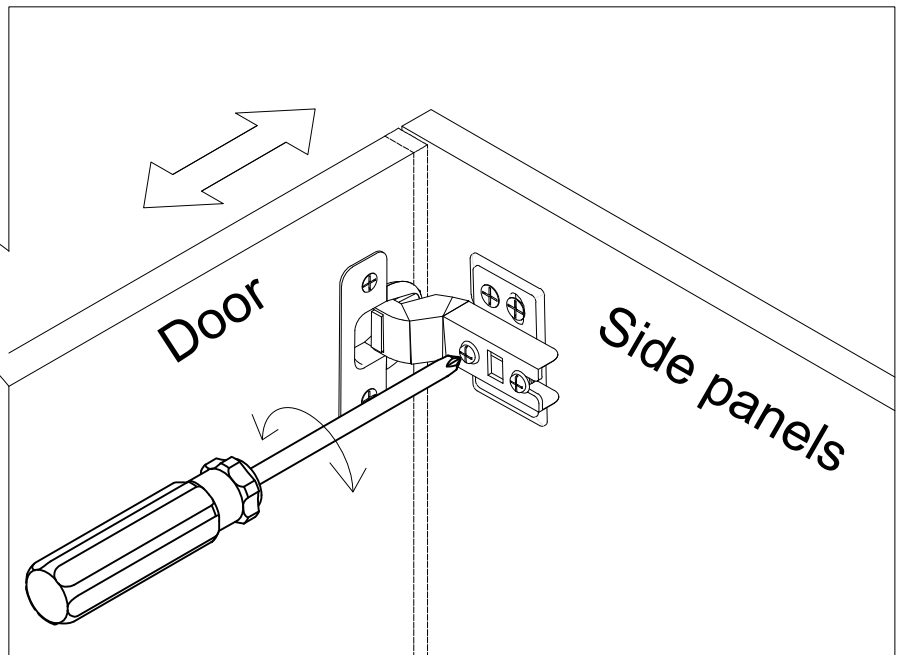
ASSEMBLY INSTRUCTIONS

STEP-10

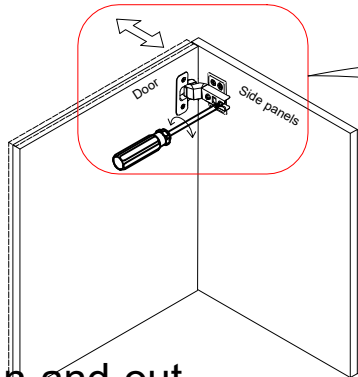
Concealed hinges are three-way adjustable:



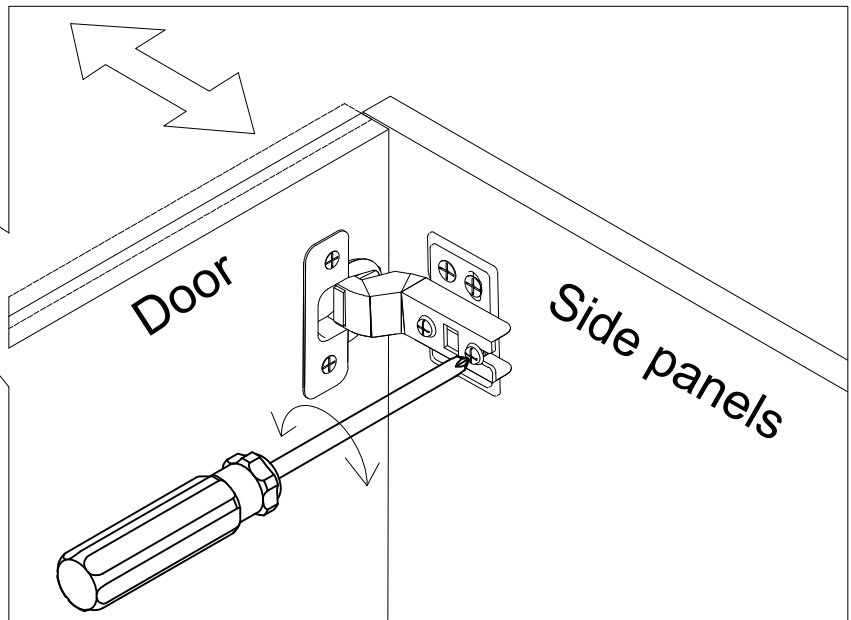
Horizontal
by screw adjustment!



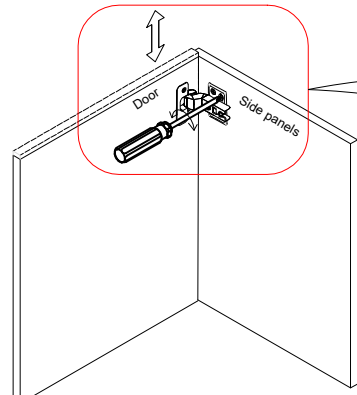
Concealed hinges are three-way adjustable:



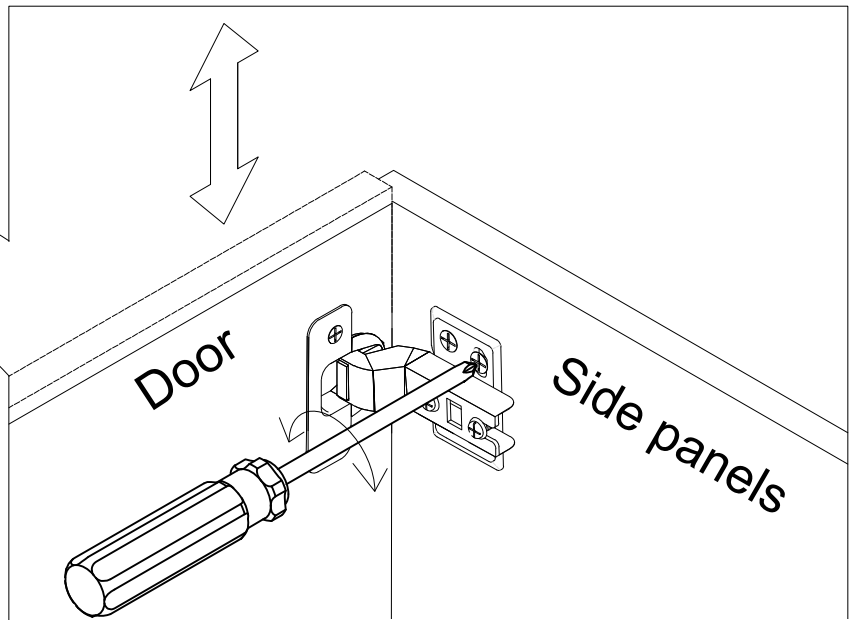
In-and-out
by loosening the hinge arm
mounting screw or via cam
adjustment!



Concealed hinges are three-way adjustable:



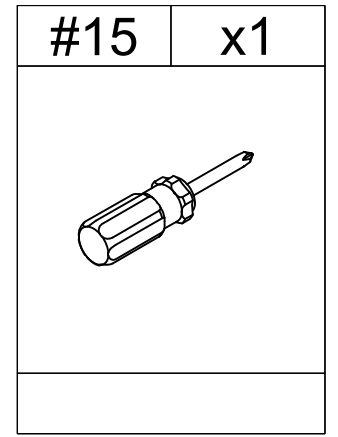
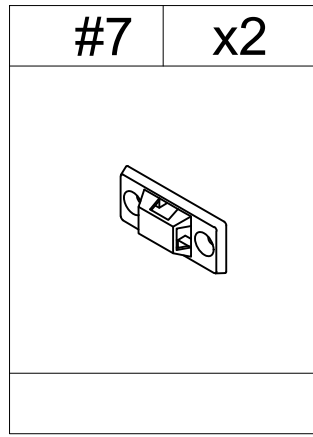
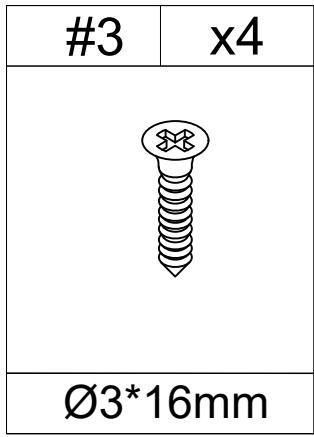
Vertical via slots in
the mounting plate
or via cam adjustment!



Video for door adjustment

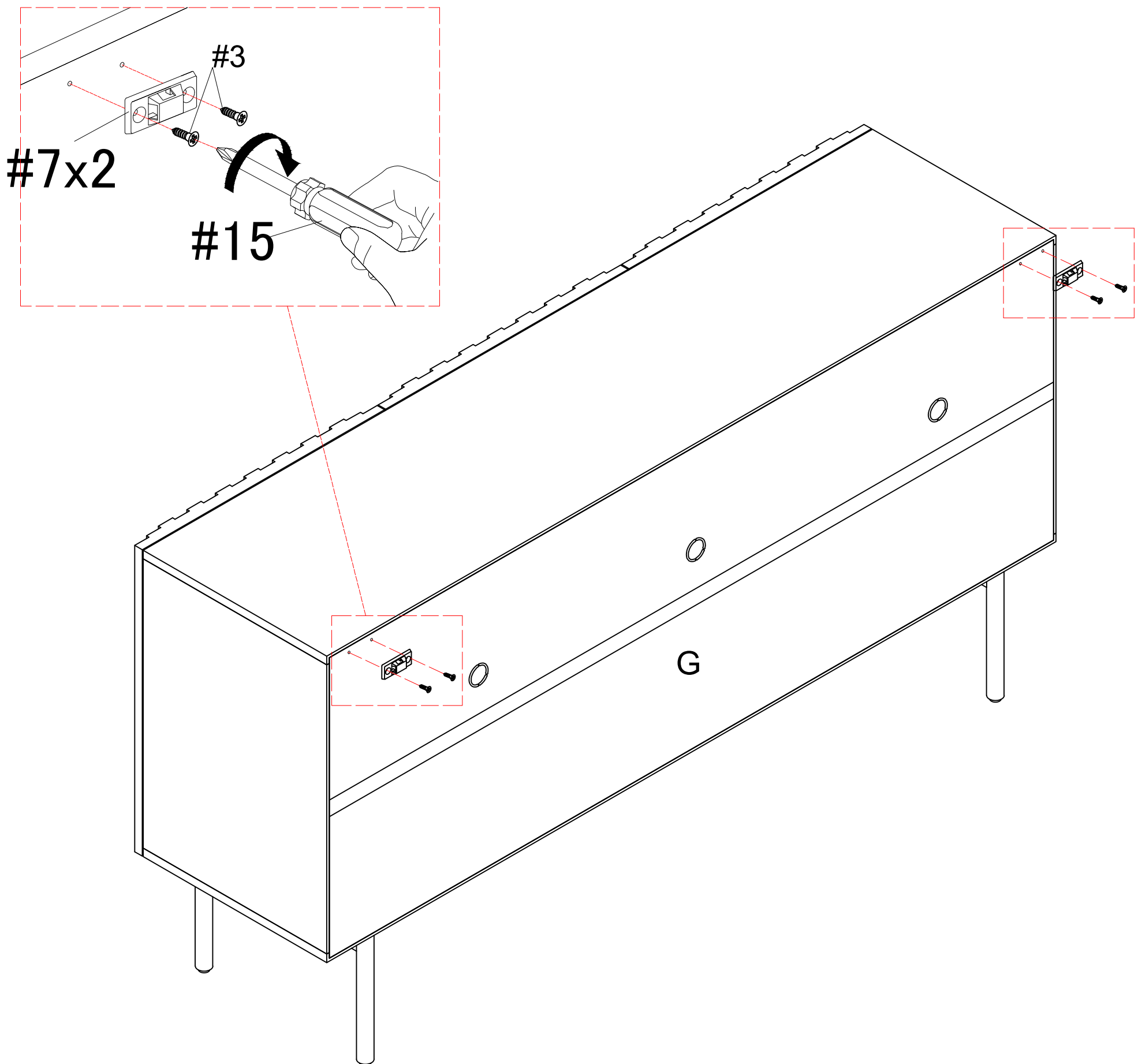
Hinge adjustment method

ASSEMBLY INSTRUCTIONS

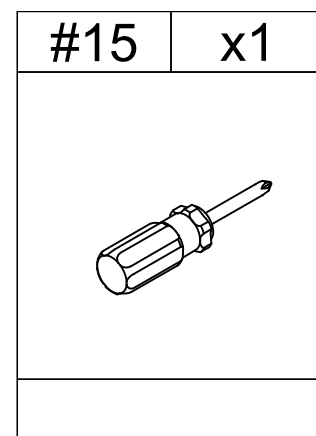
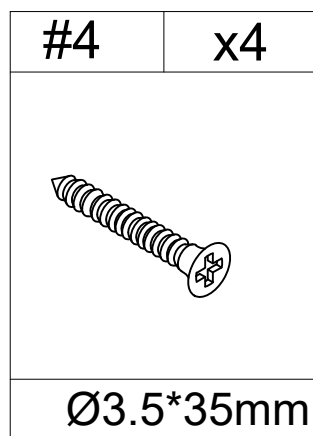
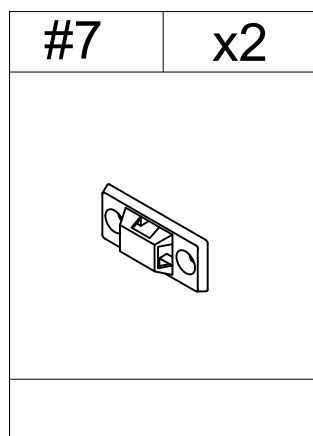
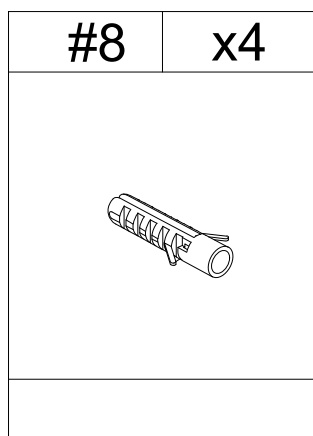


STEP-11

1. Use screw #1 to attach part #7 to back panel (G), tighten screw #1 with screwdriver #15.

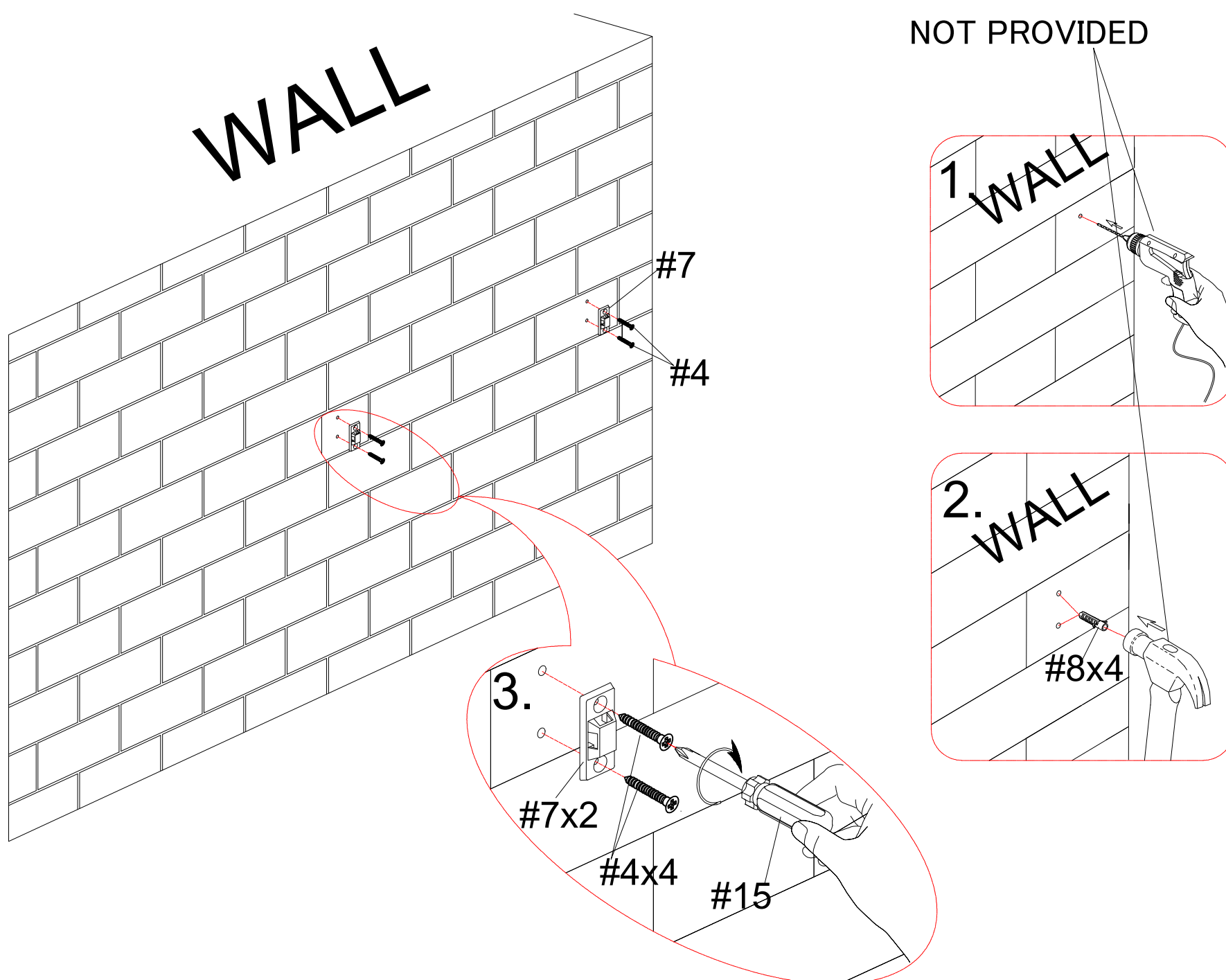


ASSEMBLY INSTRUCTIONS

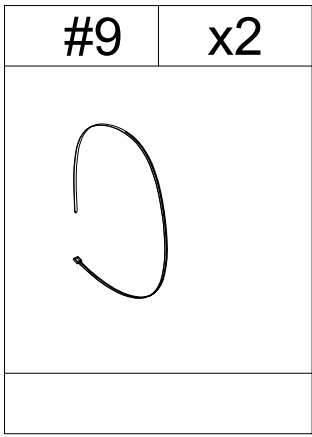


STEP-12

1. Install the anti-collapse device.
2. Mark the position on the wall, that corresponds to the location of part #7 on the back of panel (G); Drill and insert the expandable screw #8 by hammer.
3. Assemble the part #7 to the wall. Align the hole in the part #7 with the expandable screw #8, use screw #4 to attach it and tighten by screwdriver #15.

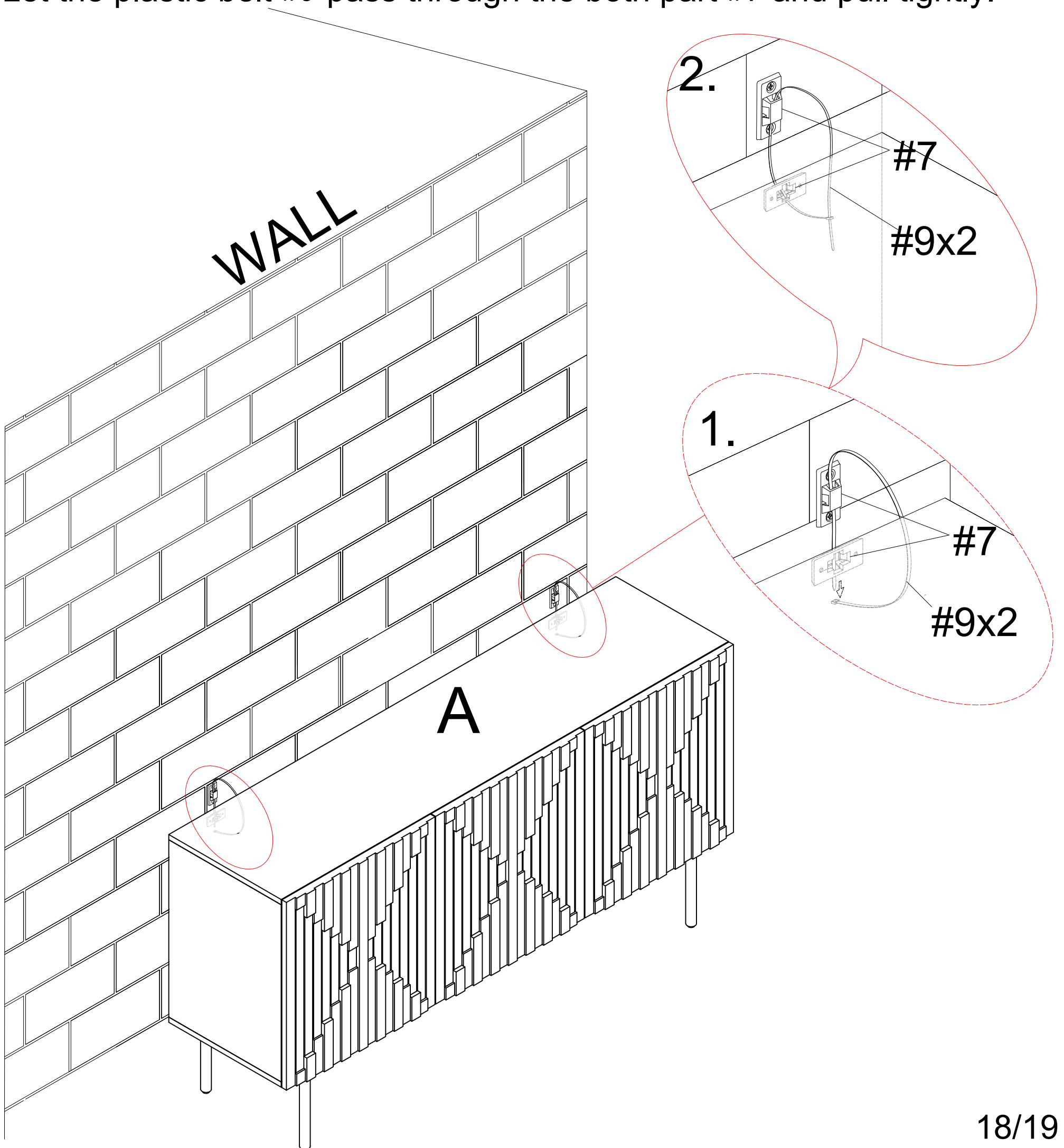


ASSEMBLY INSTRUCTIONS



STEP-13

Let the plastic belt #9 pass through the both part #7 and pull tightly.



WARRANTY

1. We strive to offer high-quality products, and we also try our best to satisfy each and every customer that orders from us with product or service as needed.
2. We provide 30 days warranty starting from the time you receive the item. Each customer must provide a record of their order such as the order number, or item receipt for any items that are out of the warranty period you may also still receive.
3. Replacement parts by purchasing them with our company if they are available.

Are you having difficulty
With assembly? Missing parts?
Please send email with your order No to
customerservice@hulalahome.com
For return, please check the return policy with
the retailer or market place you bought from.

Appreciate your purchasing from us.
Pop up your life by our furniture piece!