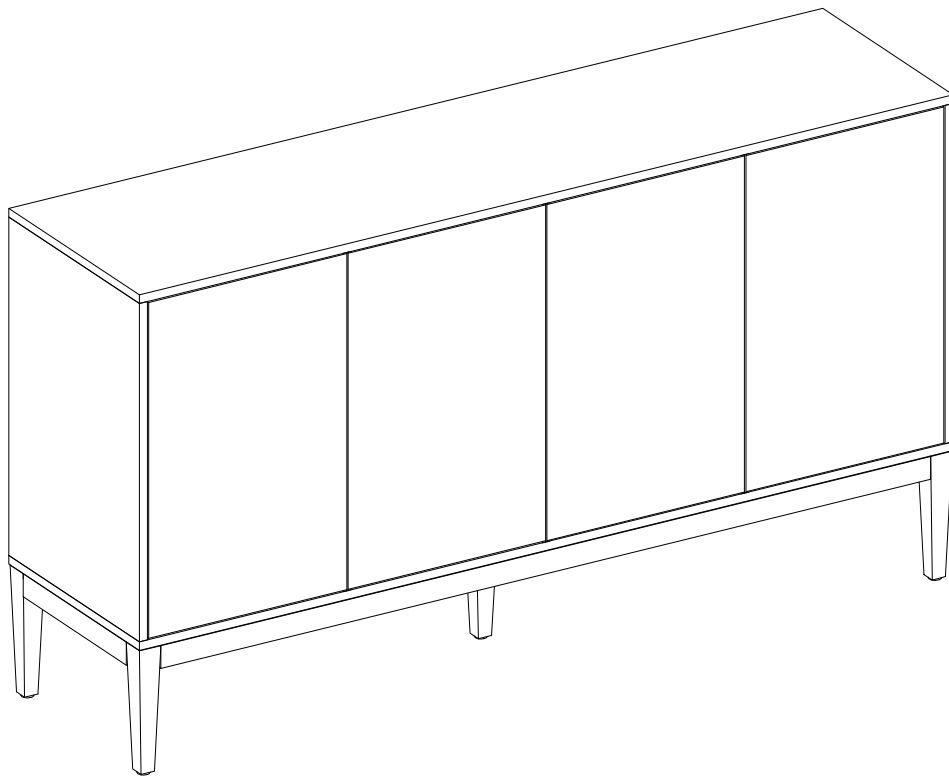


# HULALA

---

H O M E



**ITEM NO.SBSD0787**

---

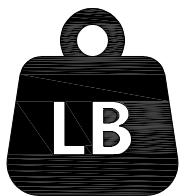
**NOTE:**

This brochure contains IMPORTANT safety info. Please read and keep for future reference.

---

# MAINTAINANCE AND WARNING

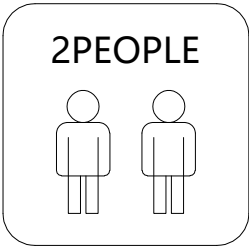
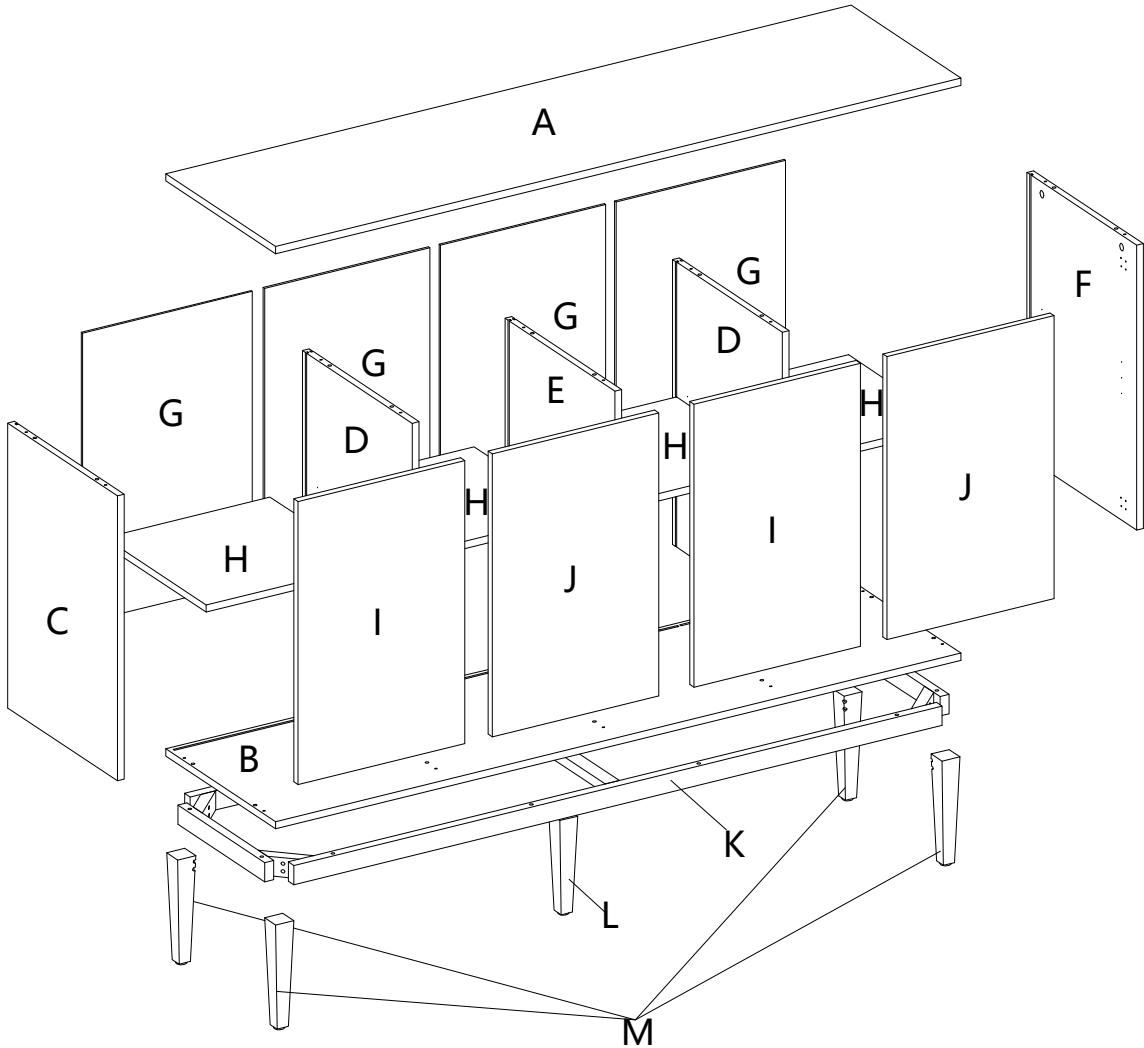
- 1.Keep furniture away from heat sources.
- 2.Do not clean furniture with harsh cleaner or polishes.Do not use detergents,solvents,abrasives,spray packs or leather cleaner. Use non-color mild soa with warm water to clean spills(Mix 1:10 soap to water).
- 3.Do not place furniture under direct sunlight,material will possibly fade over time.
- 4.Do not use on site dry cleaning machine.Children should not climb or jump on the furniture.
- 5.Do not write on furniture that is not protectedby a padded barrier.
- 6.Not for commercial use,only for residential use.



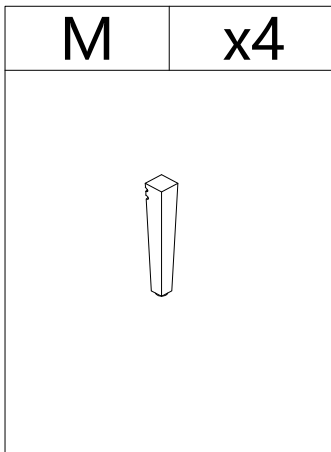
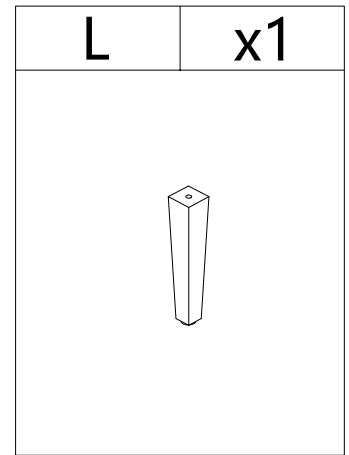
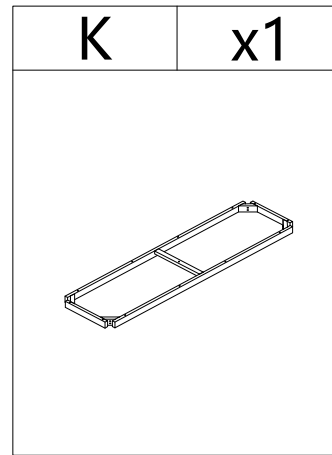
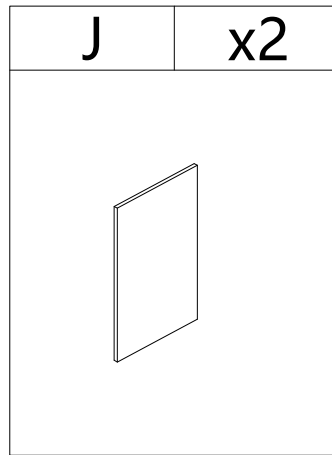
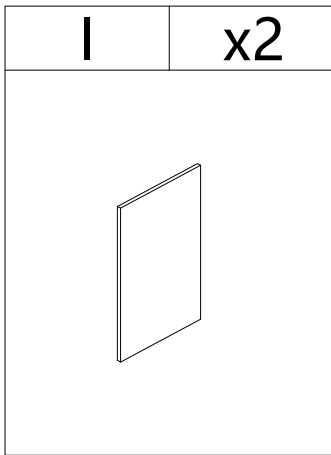
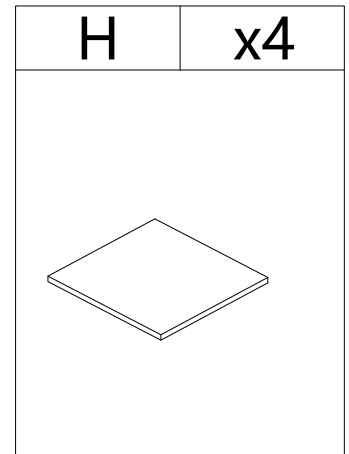
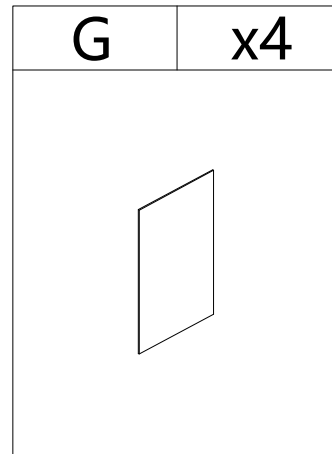
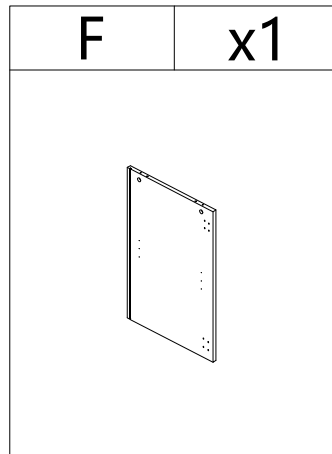
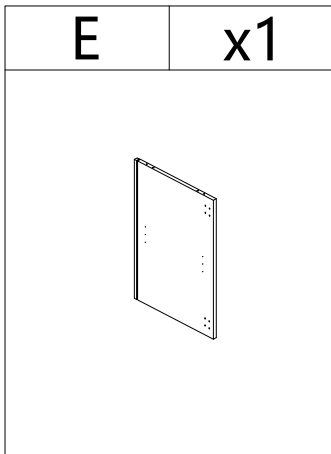
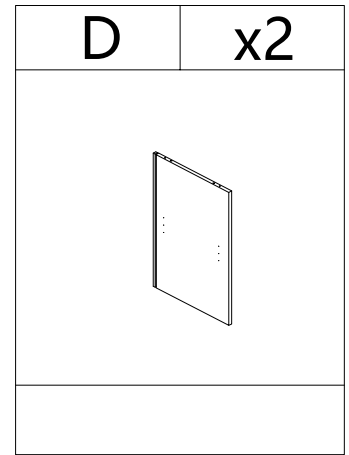
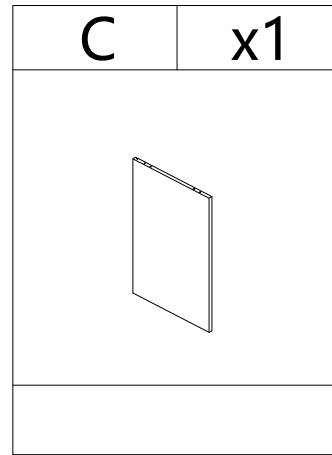
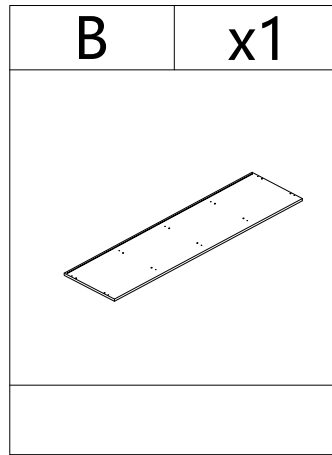
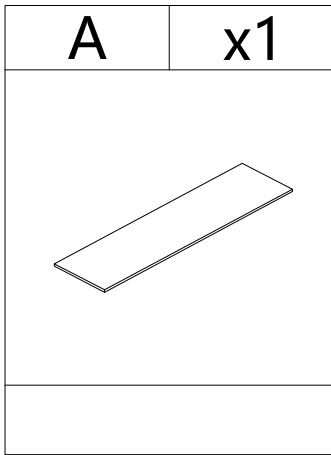
Weight Limitation

**150 LBS**


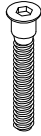
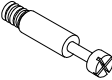
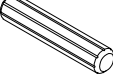

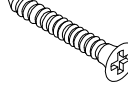

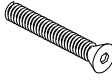
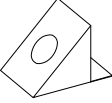

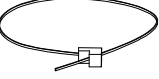
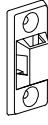
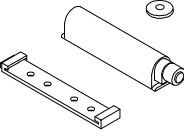
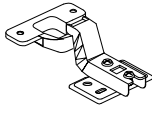
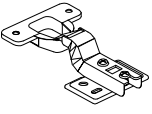
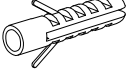
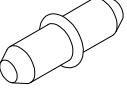
# EXPLOSIVE VIEW



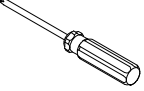
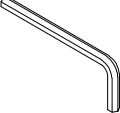
# PARTS LIST




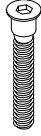
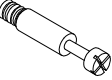

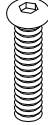
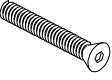
# HARDWARE LIST

#1	x88	#2	x10	#3	x10	#4	x20	#5	x10	#6	x4
											
M3.5*14		M7*50		φ6*35mm		φ8*30mm		φ15*11mm		M4*35	
#7	x22	#8	x1	#9	x24	#10	x10	#11	x2	#12	x4
											
M6*50		M6*40				φ20					
#13	x4	#14	x4	#15	x4	#16	x4	#17	x16		
											

# TOOL LIST

#18	x1	#19	x1
			
		M4	

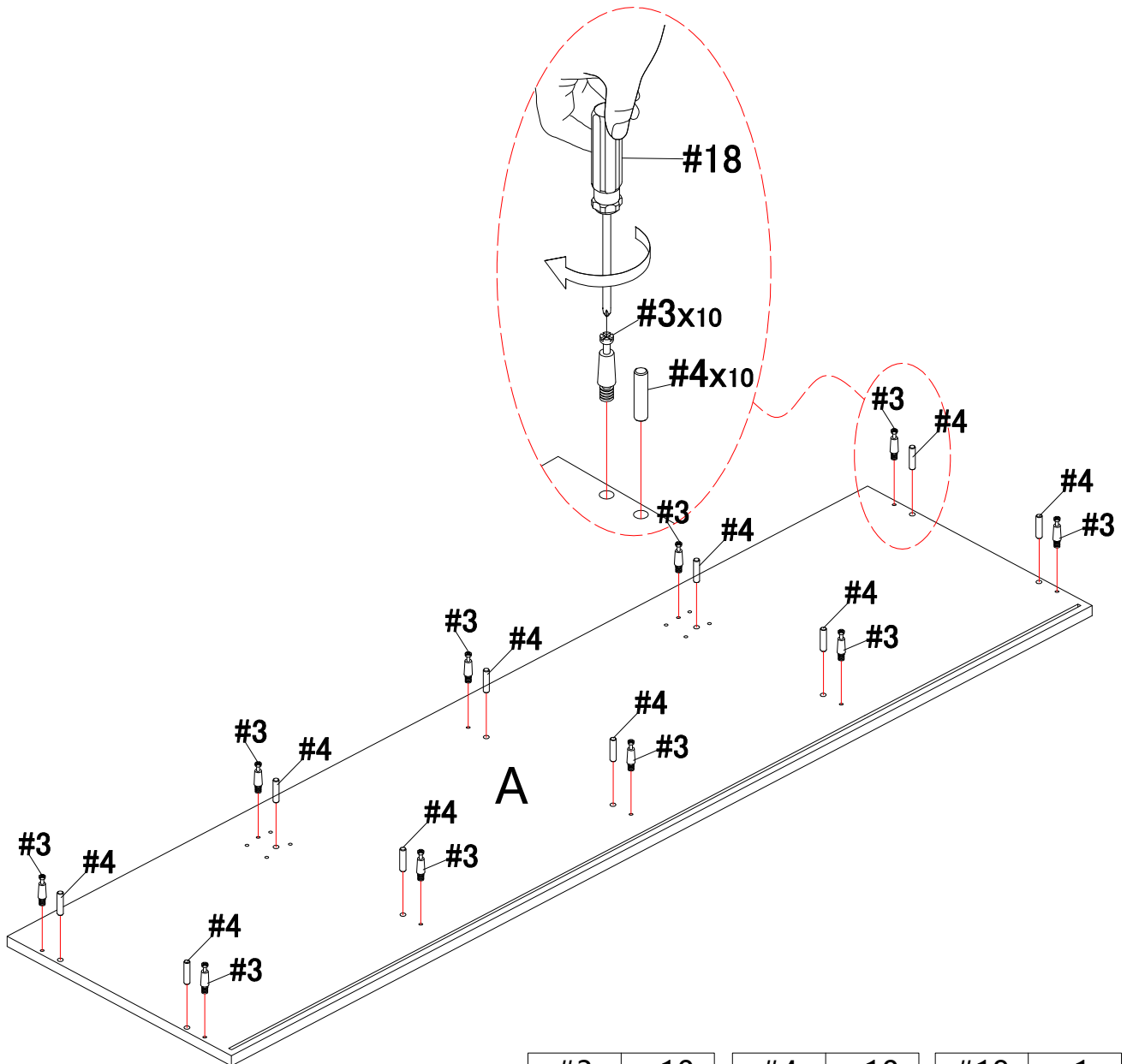
# HARDWARE SPARE LIST

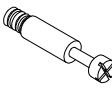
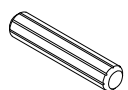
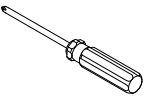
#1	x8	#2	x1	#3	x1	#6	x1	#7	x2	#8	x1
											
M3.5*14		M7*50		φ6*35mm		M4*35		M6*50		M6*40	

# ASSEMBLY INSTRUCTIONS

## STEP-1

1. Insert wooden dowel #4 into the corresponding hole of panel (A), and then screw bolt #3 into the corresponding hole of panel (A), tighten bolt #3 with screwdriver #18.

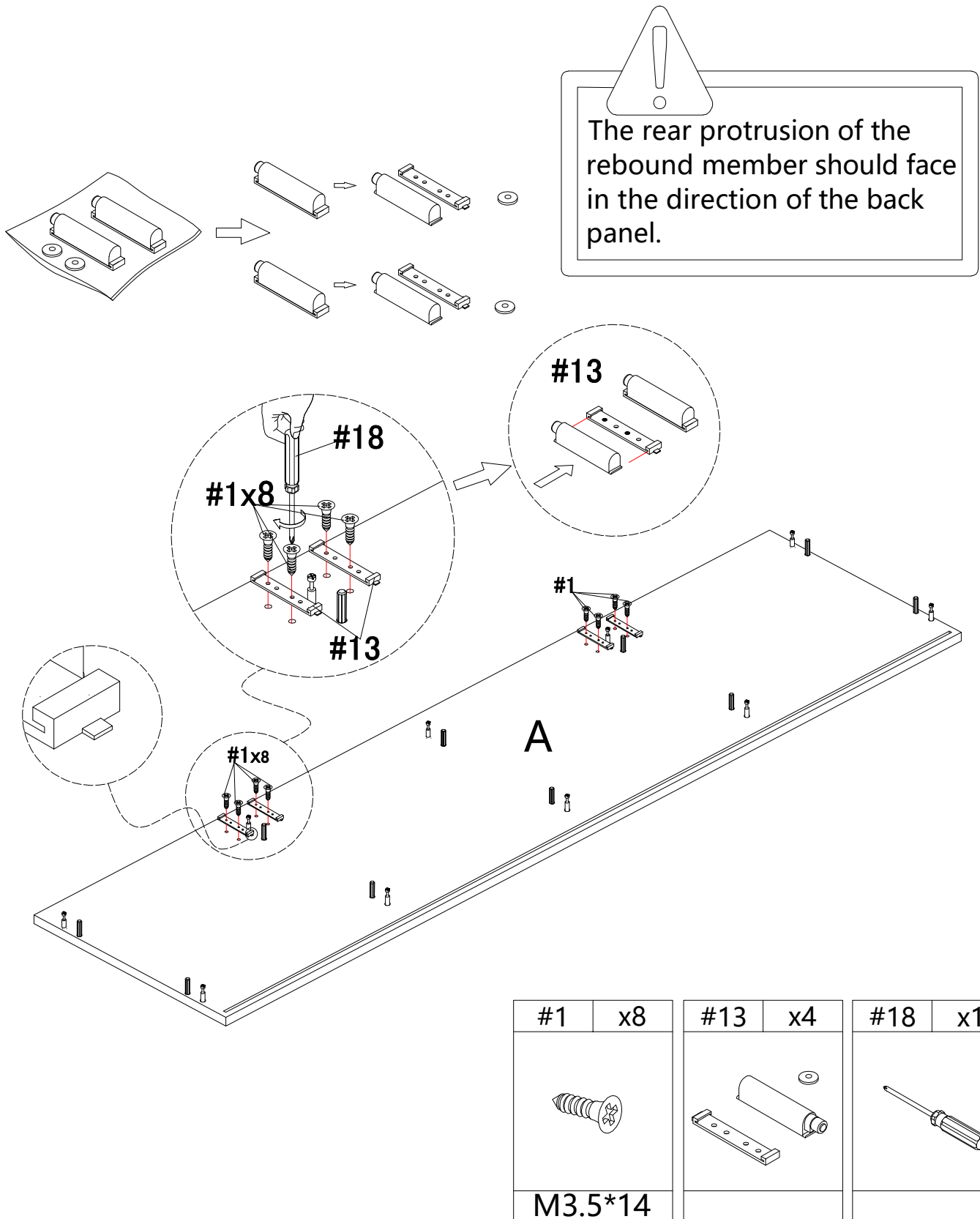


#3	x10	#4	x10	#18	x1
					
ø6*35mm		ø8*30mm			

# ASSEMBLY INSTRUCTIONS

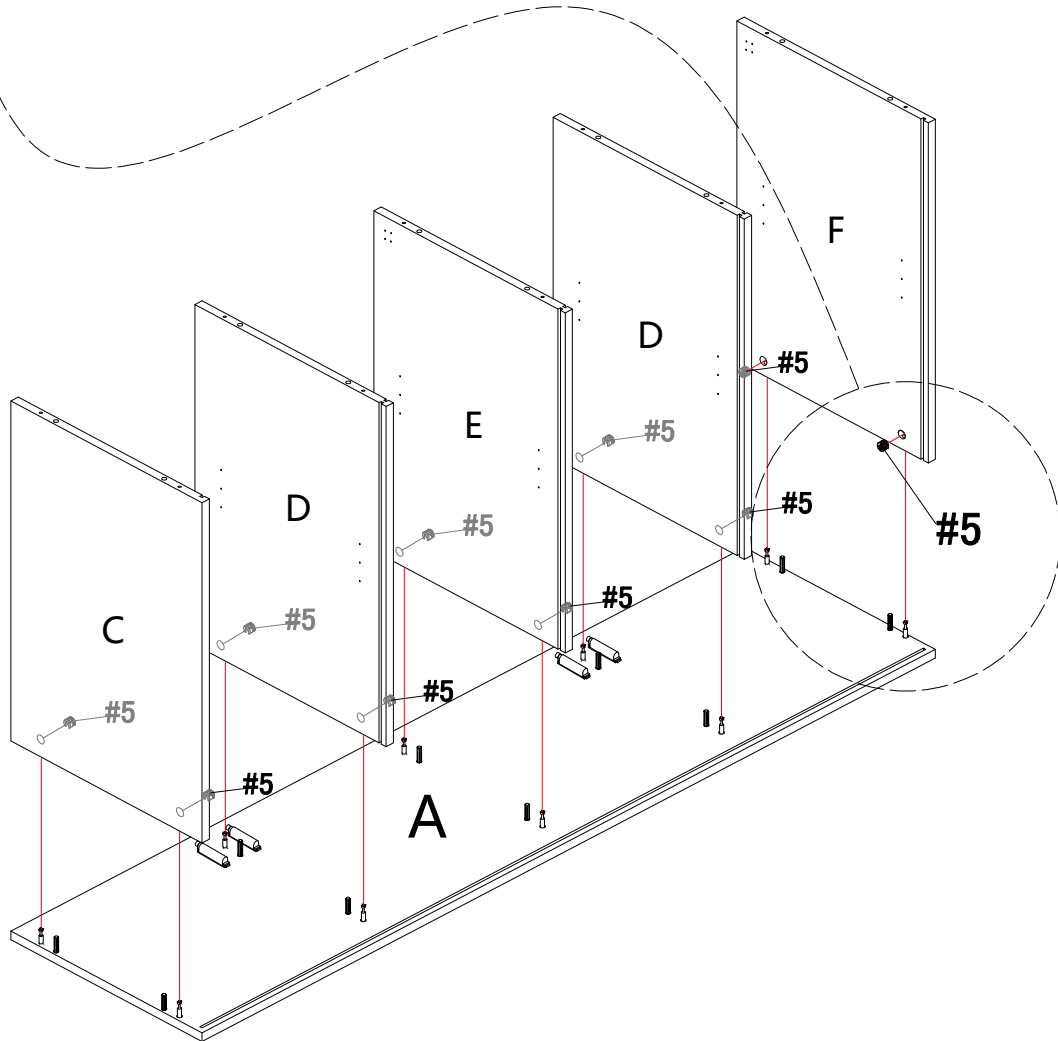
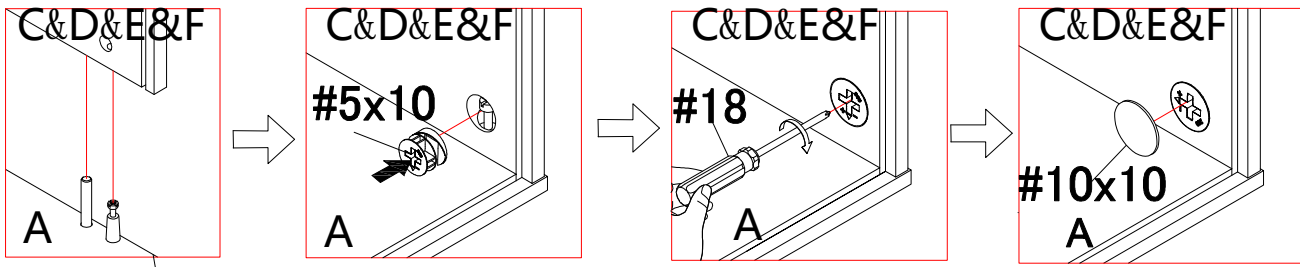
## STEP-2

1. Use screw #1 to attach part #13 to the corresponding hole of top panel (A), tighten screw #1 with screwdriver #18. And then slide the rebounder #13 into the rebounder base as picture show.


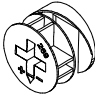
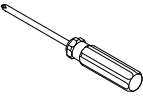


# ASSEMBLY INSTRUCTIONS

## STEP-3



1. Insert panel(C)&(D)&(E)&(F) into the corresponding hole of top panel(A) and then insert cam bolt #5 into the corresponding hole of panel(C)&(D)&(E)&(F), tighten cam bolt #5 with screwdriver #18, finally stick paster to it for look nice.

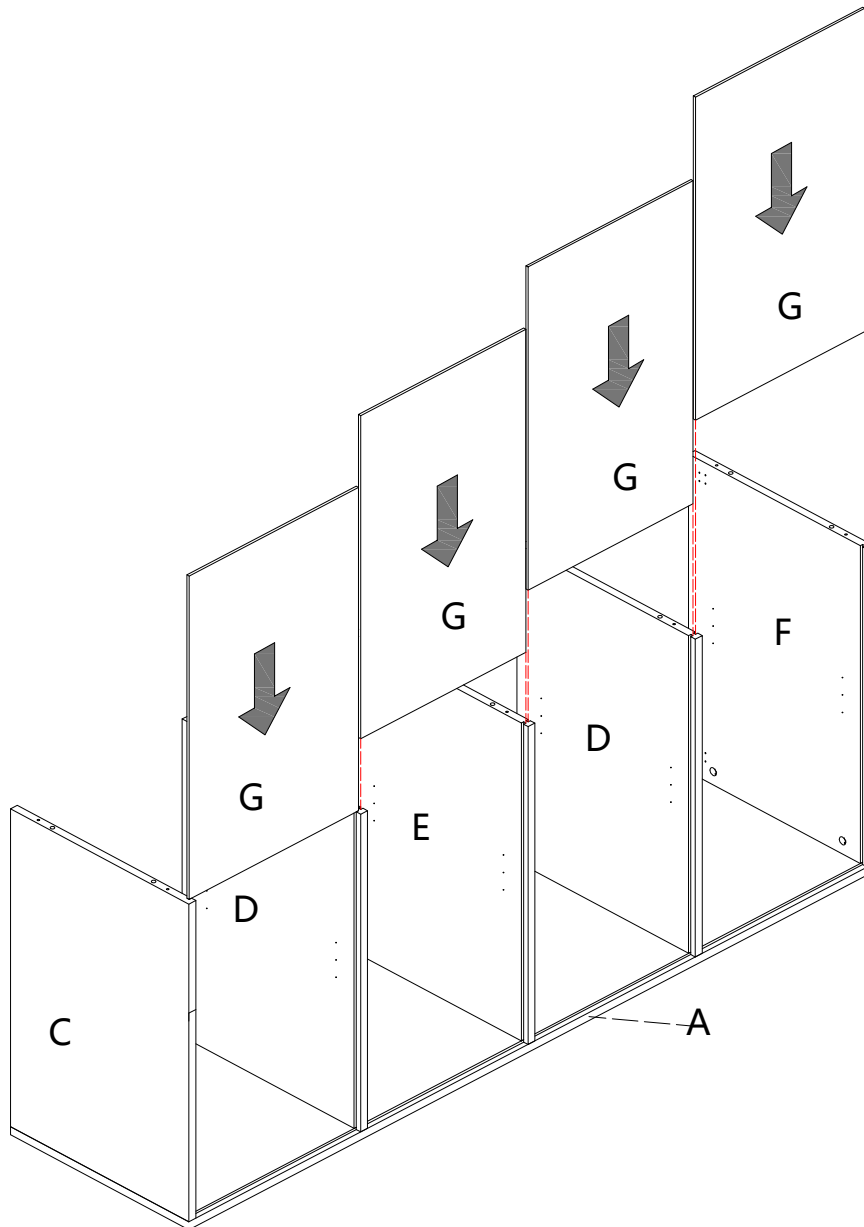
#10	x10	#5	x10	#18	x1
					
φ20		φ15*11mm			



# ASSEMBLY INSTRUCTIONS

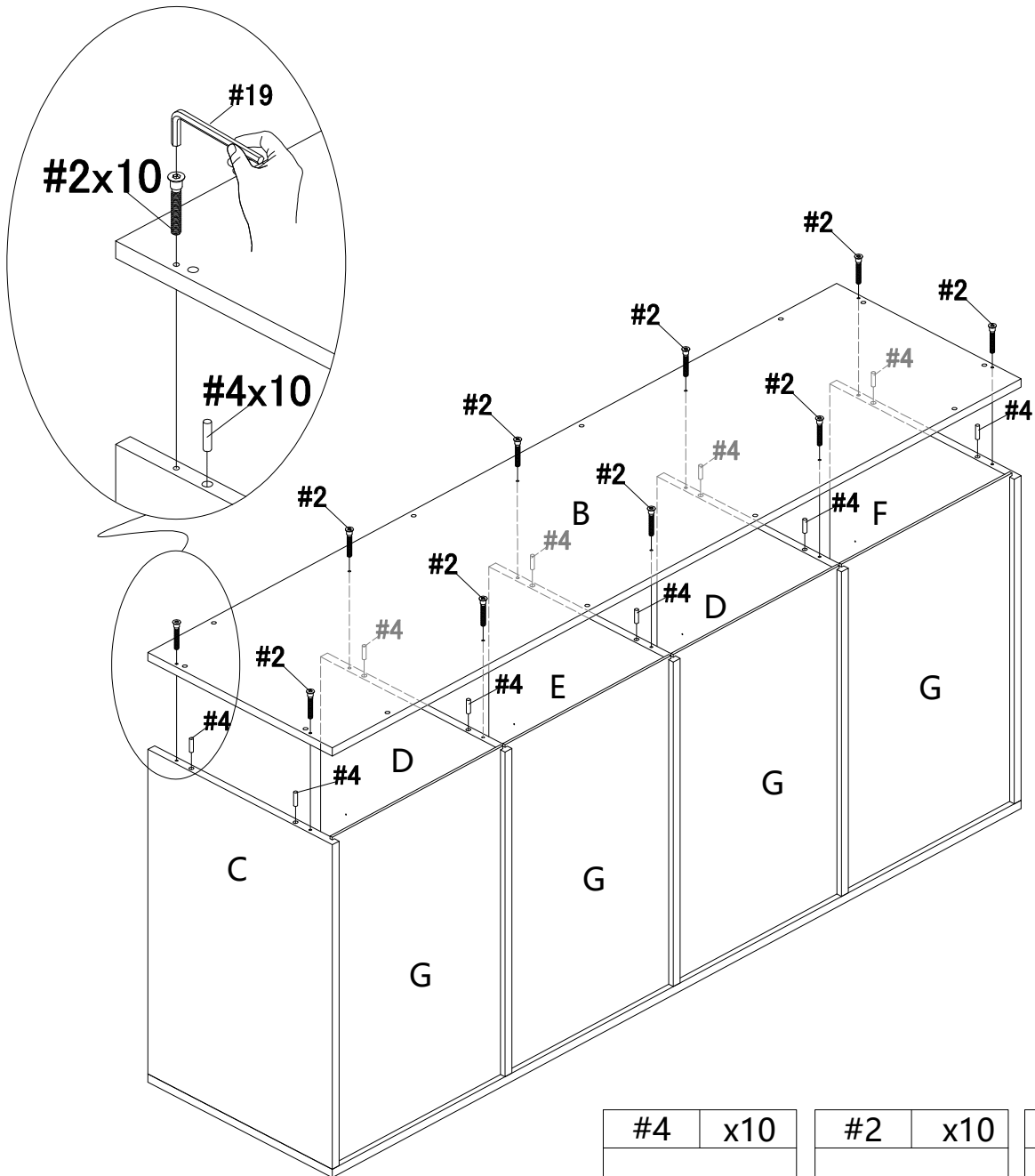
## STEP-4


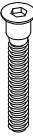

1. Carefully align and slide panel (G) into the groove along rear edge of pre-assemble unit at step 3, slide the panel (G) into the bottom.



# ASSEMBLY INSTRUCTIONS

1. Insert wooden dowel #4 into the corresponding hole of panel (C)&(D)&(E)&(F), and then use bolt #2 to attach panel(B) to the preassemble unit step 4, tighten bolt #2 with allen key #19.

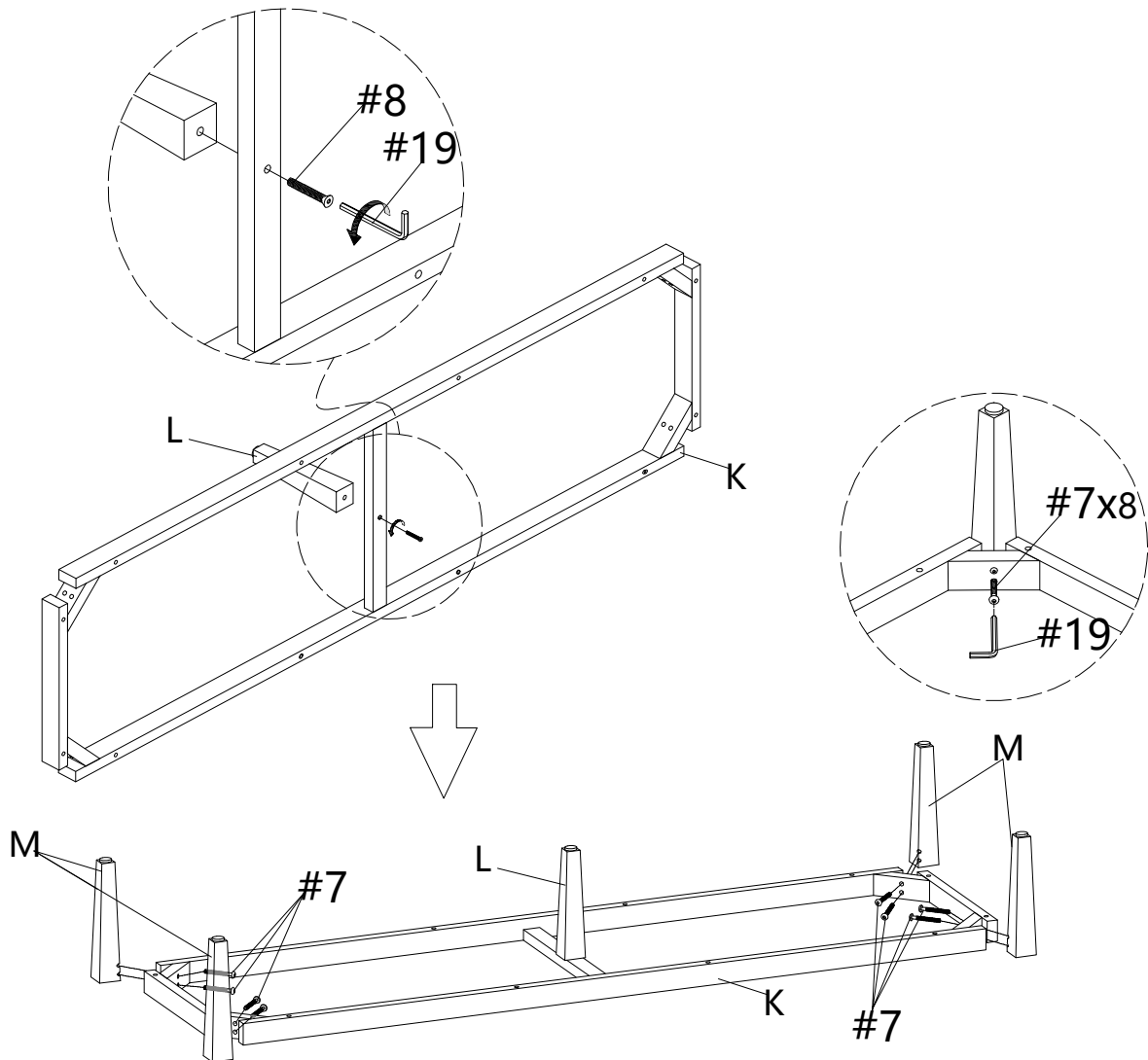


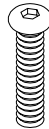
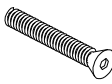

#4	x10	#2	x10	#19	x1
					
ø8*30mm		M7*50		M4	

# ASSEMBLY INSTRUCTIONS

## STEP-6

1. Use bolt #8 to attach leg(L) to part(K), tighten bolt #8 with allen key #19, and then use bolt #7 to attach leg(M) to part(K), make sure all holes aligned and tighten bolt #7 with allen key #19.

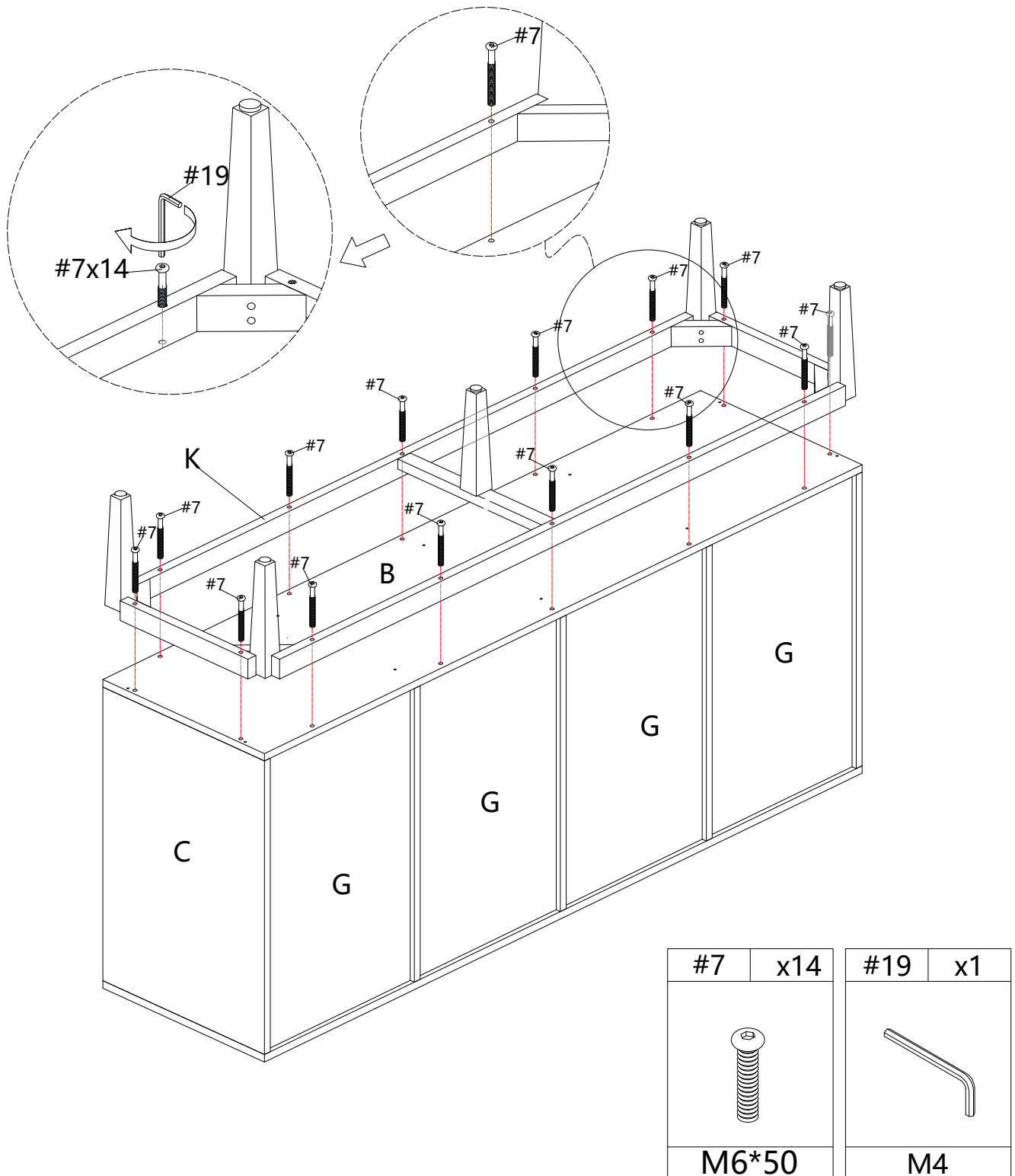


#7	x8	#8	x1	#19	x1
					
M6*50		M6*40		M4	

# ASSEMBLY INSTRUCTIONS

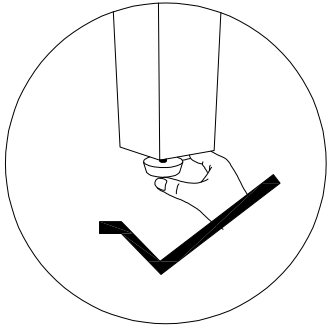
## STEP-7

1. Use bolt #7 to attach the preassembly step 6 to the corresponding hole of bottom panel (B), make sure all holes aligned and tighten bolt #7 with allen key #19.

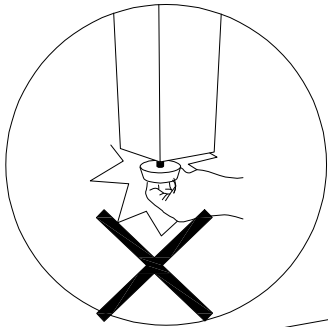


# ASSEMBLY INSTRUCTIONS

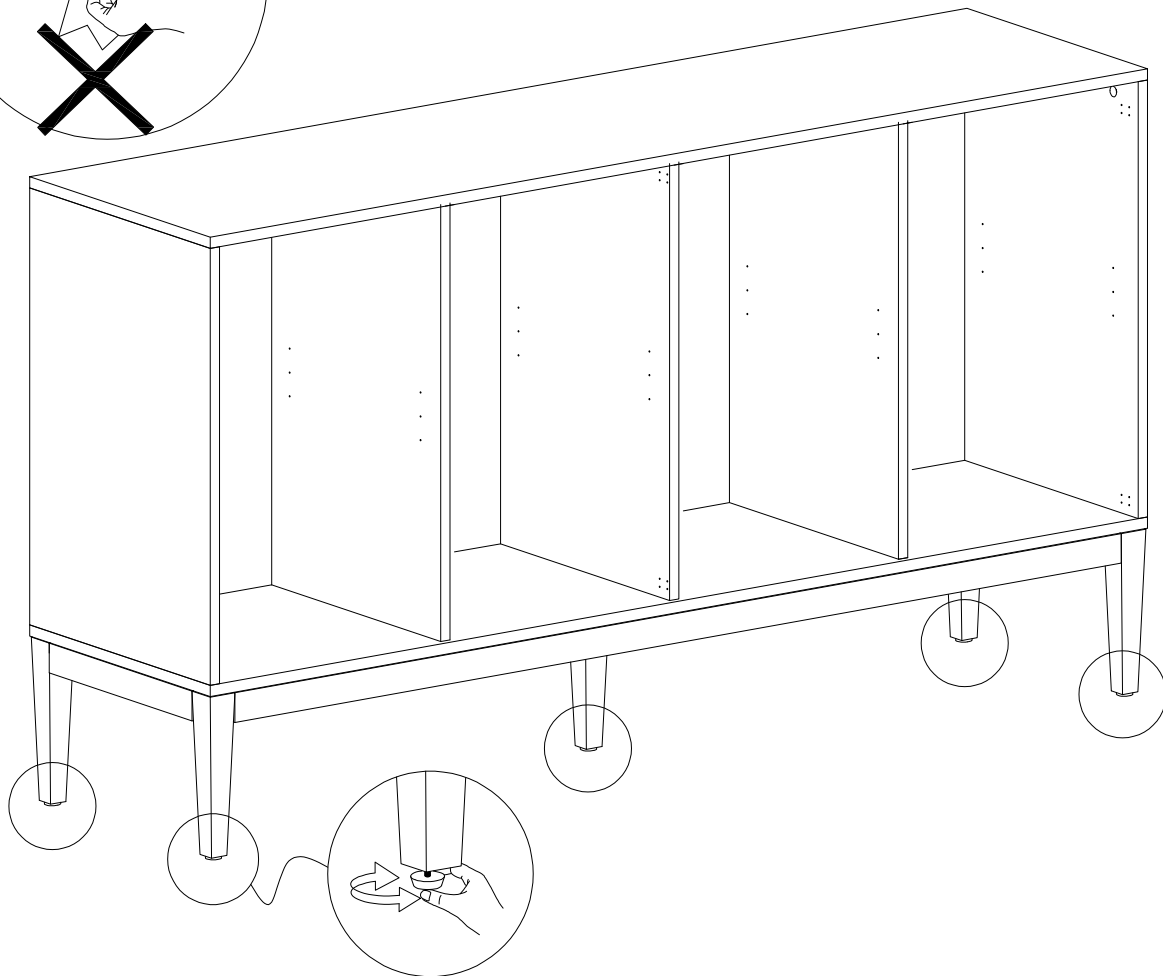
## STEP-8



**Attention:**  
After installation, adjust the adjustable leveler to keep the cabinet balanced .  
Be sure to check all packing material carefully for small parts, which may have come loose inside the carton during shipment.



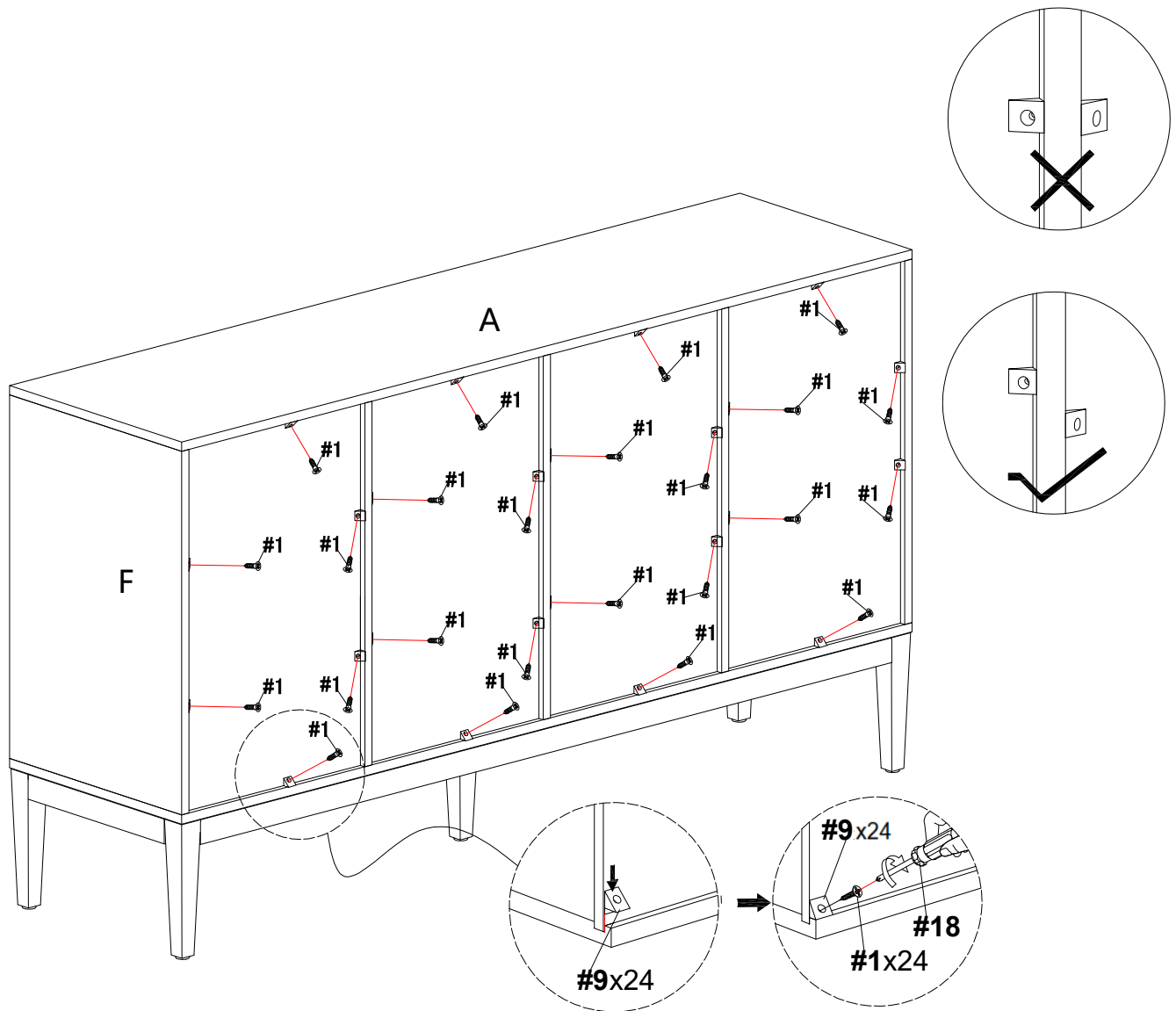
**Attention:**  
Before the next step, adjust the feet of the locker to keep it level.


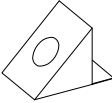


# ASSEMBLY INSTRUCTIONS

## STEP-09

1. Use screw #1 to attach part #9 to corresponding panel as picture show , tighten screw #1 with screwdriver #18.

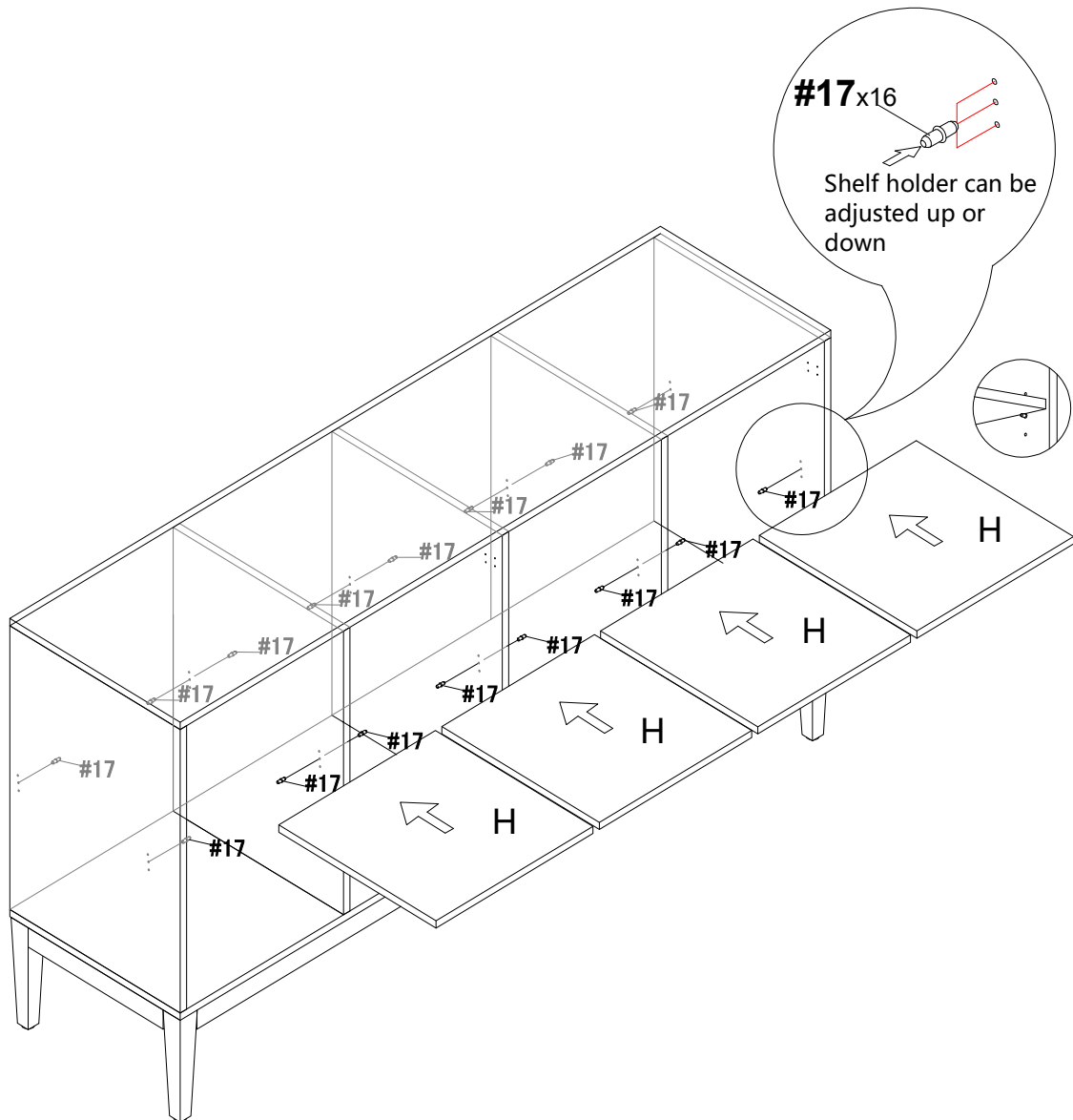


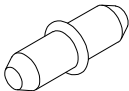
#1	x24	#9	x24
			
M3.5*14			

# ASSEMBLY INSTRUCTIONS

## STEP-10

1. Insert shelf holder #17 into the corresponding hole of panel as picture show, and then attach panel (H) to it.

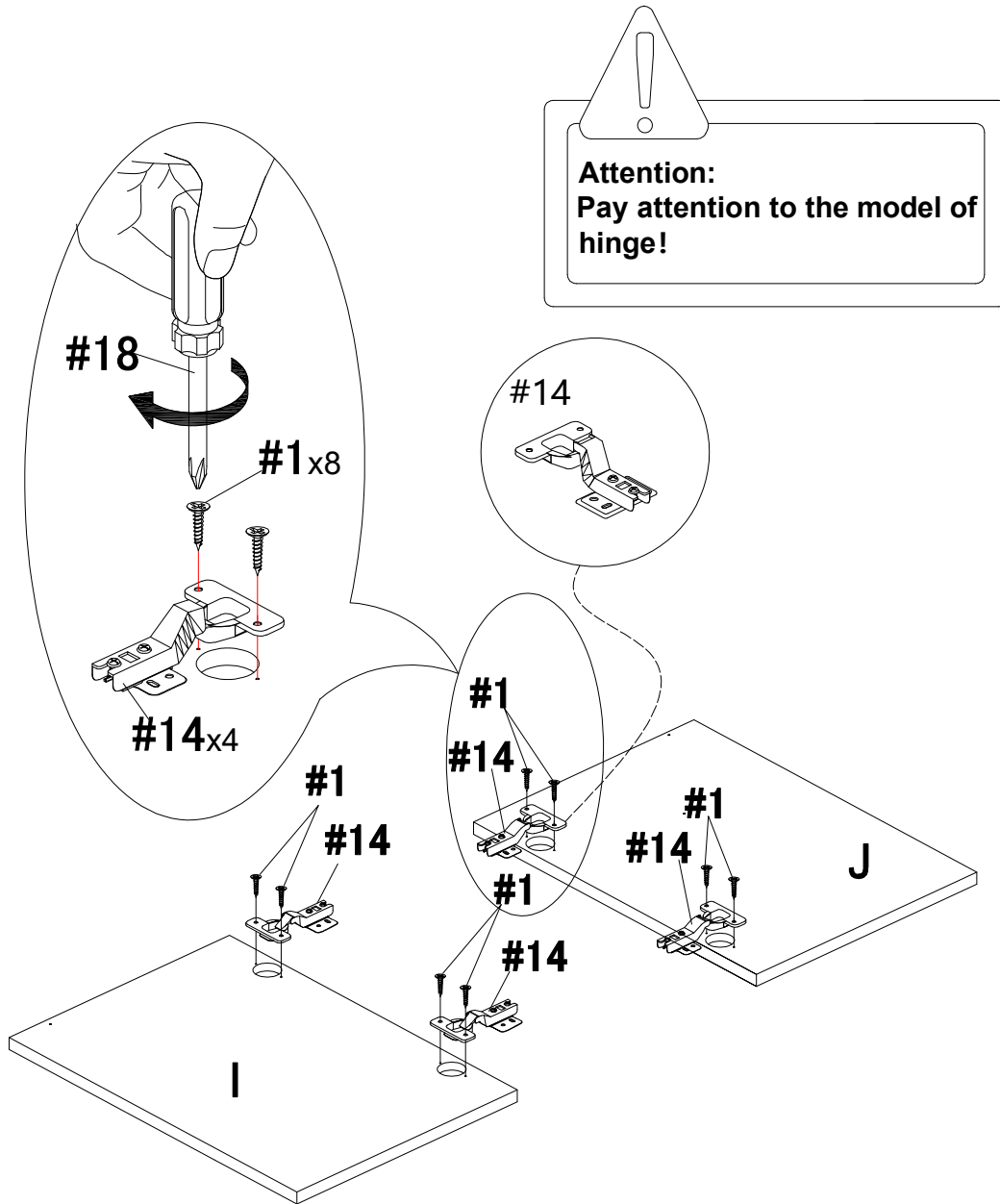


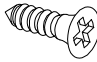
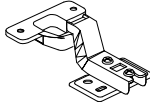
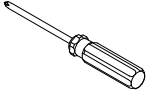
#17	x16
	

# ASSEMBLY INSTRUCTIONS

## STEP-11

1. Use screw #1 to attach hinge #14 to the corresponding hole of door (I) & (J), make sure all holes aligned and tighten screw #1 with screwdriver #18.



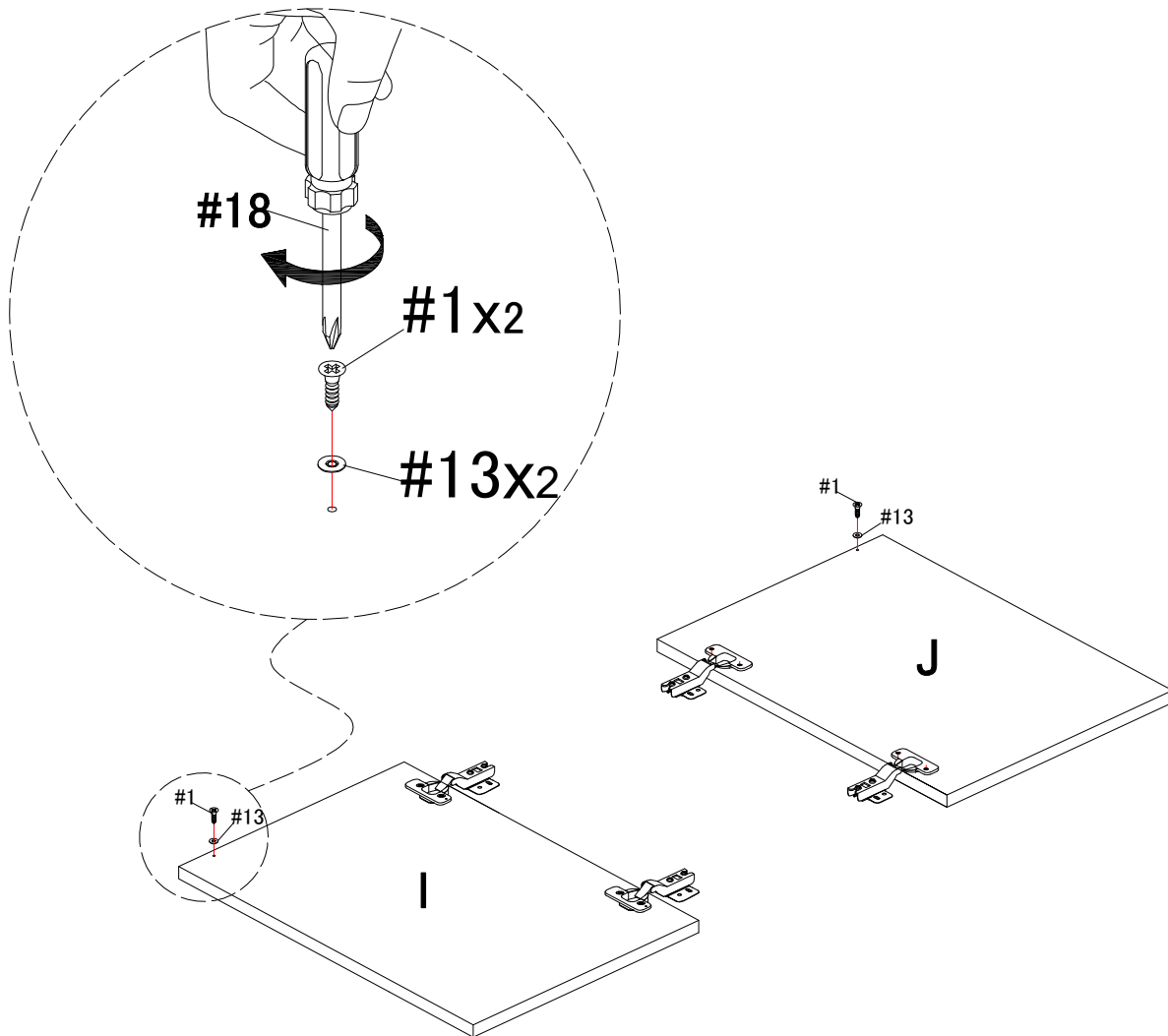
#1	x8	#14	x4	#18	x1
					
M3.5*14					

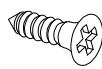
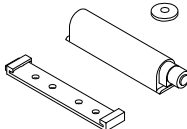
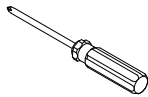


# ASSEMBLY INSTRUCTIONS

## STEP-12

1. Use screw #1 to attach part #13 to the corresponding hole of door (I)&(J) as picture show , tighten screw#1 with screwdriver#18.

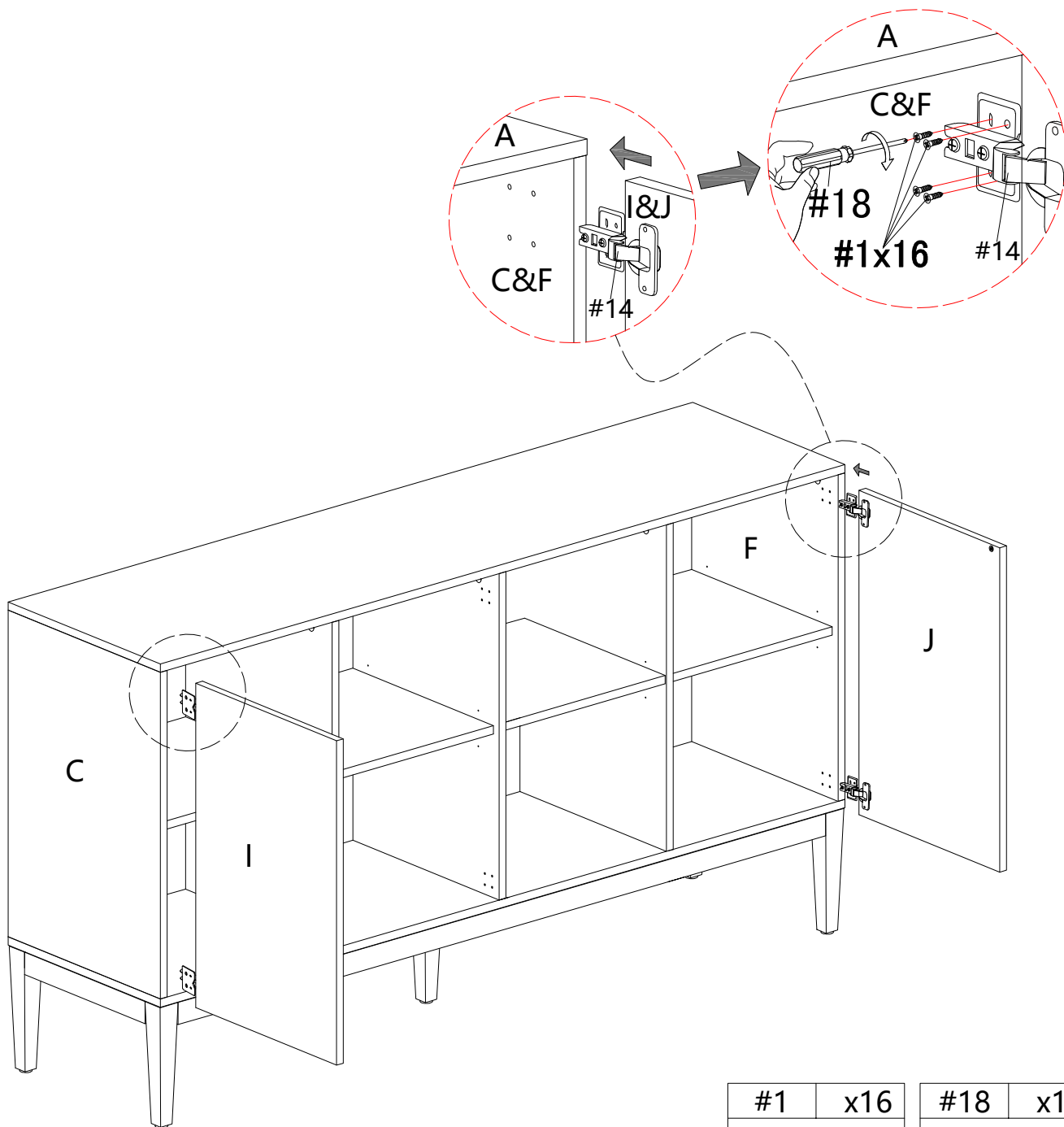


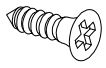
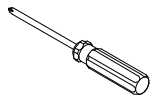
#1	x2	#13	x2	#18	x1
					
M3.5*14					

# ASSEMBLY INSTRUCTIONS

## STEP-13

1. Use screw #1 to attach hinge #14 to the corresponding hole of panel (C)&(F) as picture show , make sure all holes aligned and tighten screw #1 with screwdriver #18.

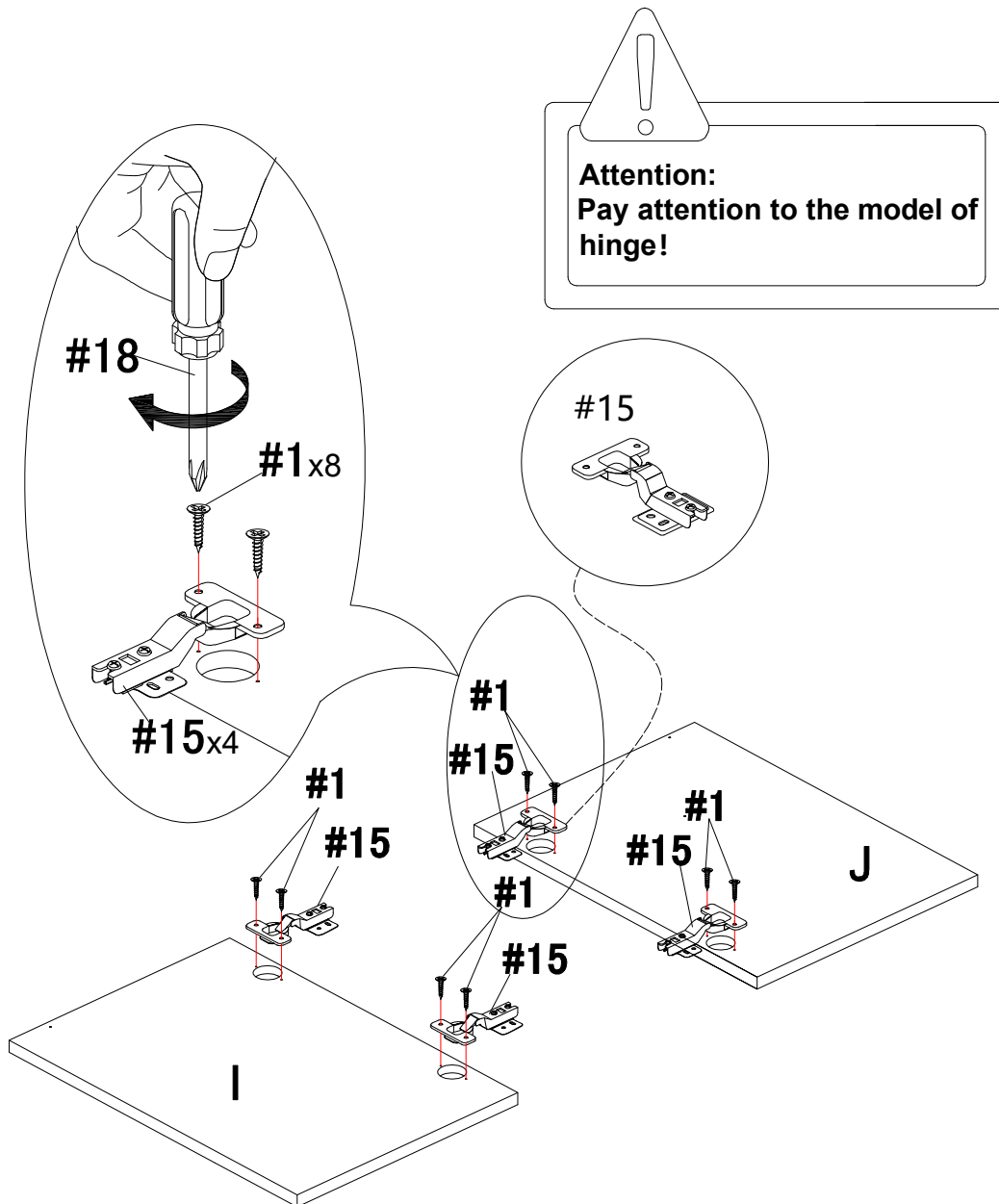


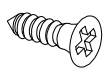
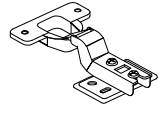
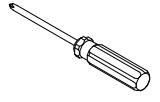
#1	x16	#18	x1
			
M3.5*14			

# ASSEMBLY INSTRUCTIONS

## STEP-14

1. Use screw #1 to attach hinge #15 to the corresponding hole of door (I)&(J) as picture show , make sure all holes aligned and tighten screw #1 with screwdriver #18.

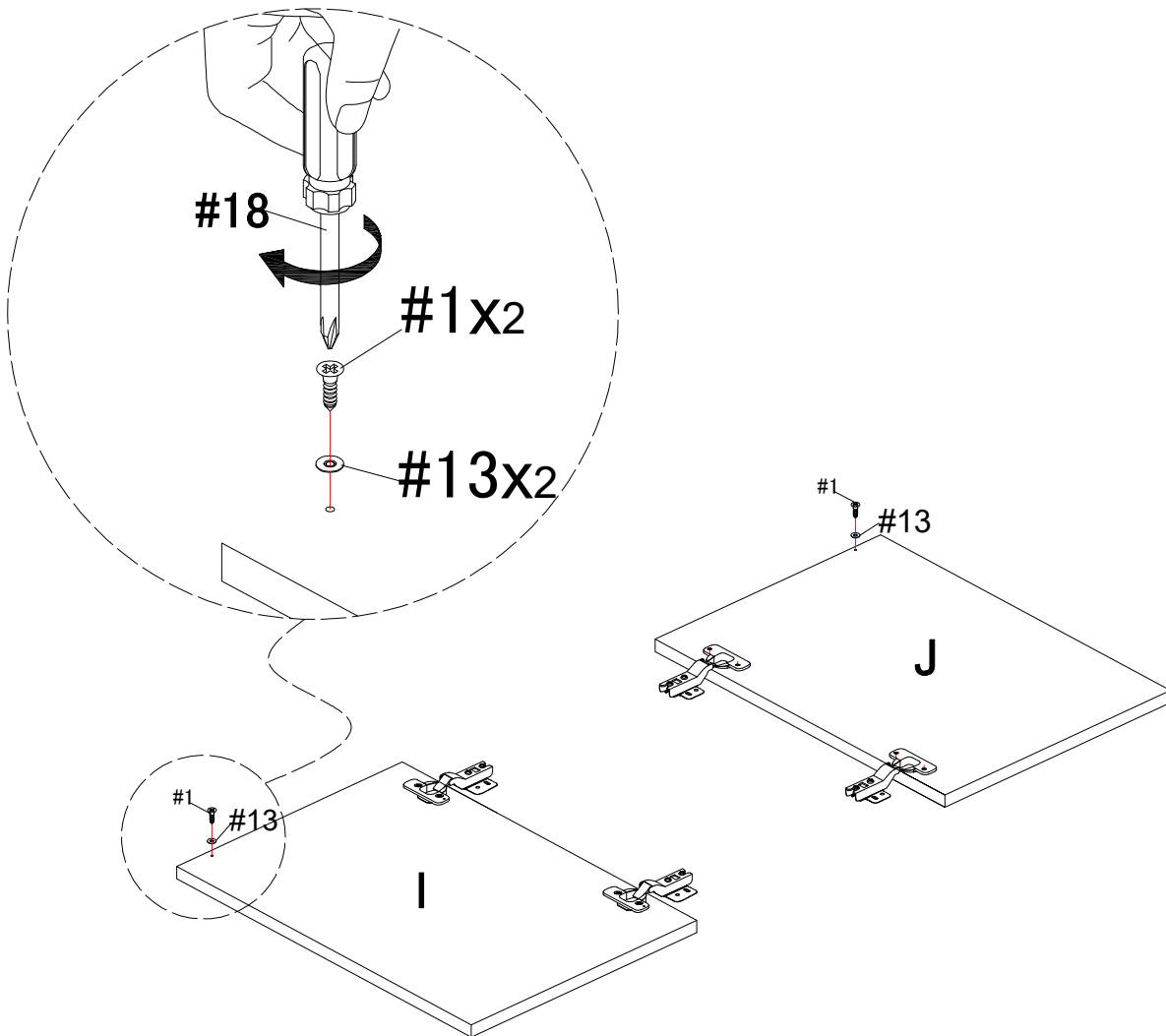


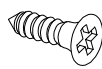
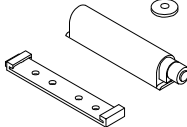
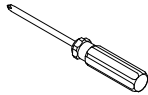
#1	x8	#15	x4	#18	x1
					
M3.5*14					

# ASSEMBLY INSTRUCTIONS

## STEP-15

1. Use screw #1 to attach part #13 to the corresponding hole of door (I)&(J) as picture show , tighten screw#1 with screwdriver#18.

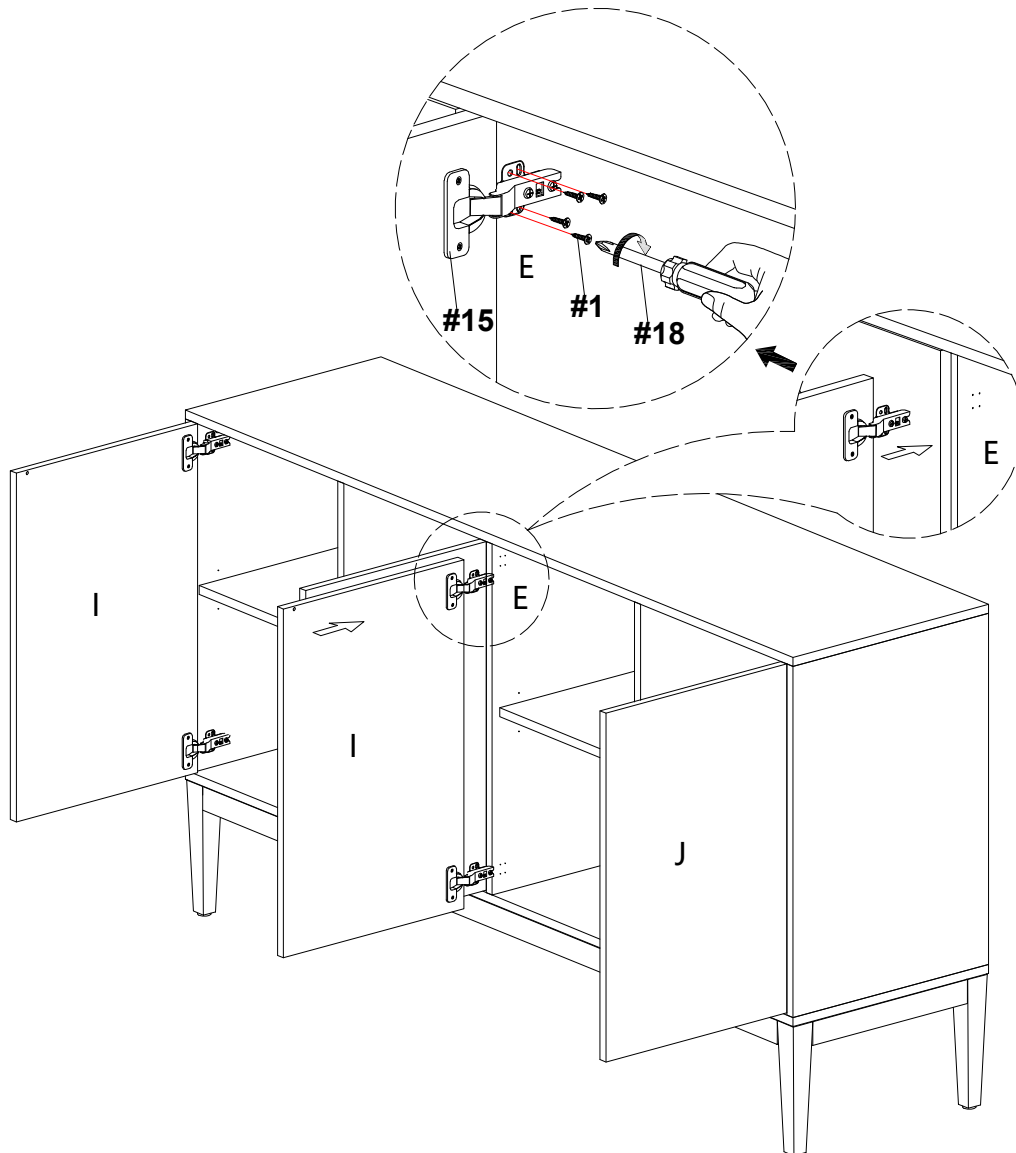


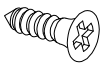
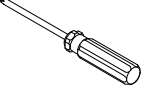
#1	x2	#13	x2	#18	x1
					
M3.5*14					

# ASSEMBLY INSTRUCTIONS

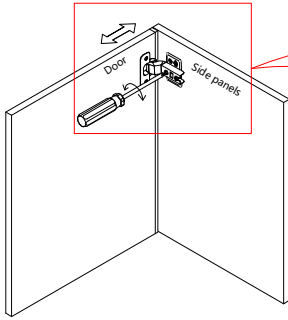
## STEP-16

1. Use screw #1 to attach hinge #15 to the corresponding hole of panel(E) as picture show , make sure all holes aligned and tighten screw#1 with screwdriver#18.

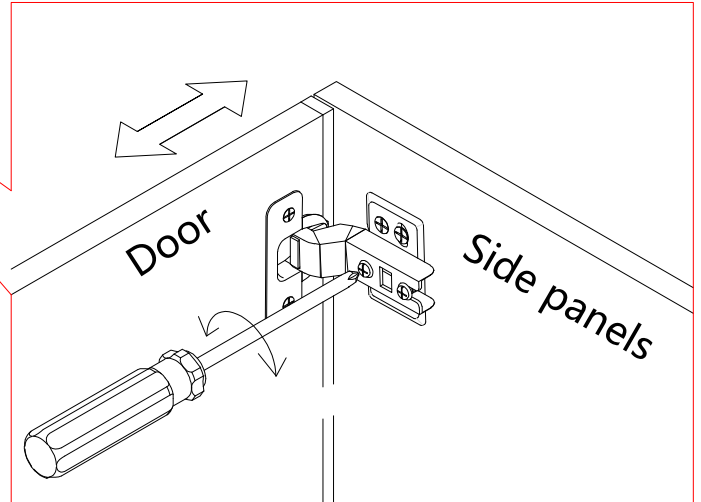


#1	x16	#18	x1
			
M3.5*14			

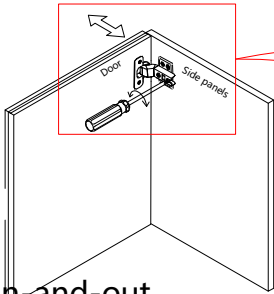
Concealed hinges are three-way adjustable:



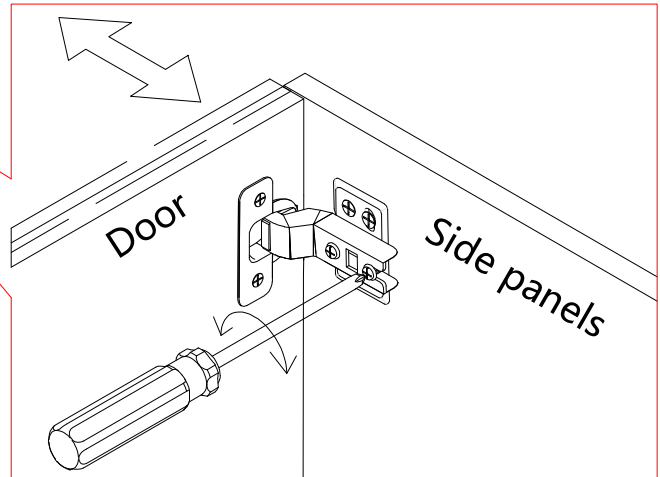
Horizontal  
by screw adjustment!



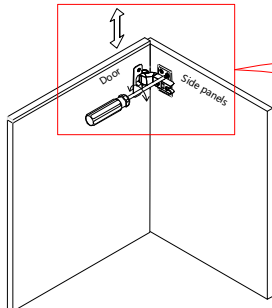
Concealed hinges are three-way adjustable:



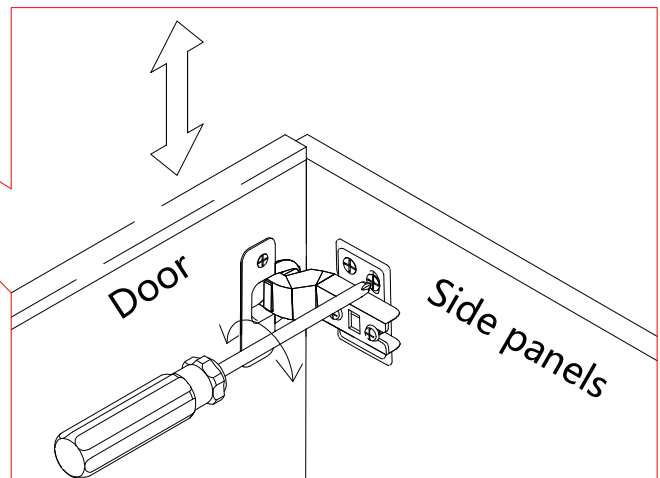
In-and-out  
by loosening the hinge arm  
mounting screw or via cam  
adjustment!



Concealed hinges are three-way adjustable:



Vertical via slots in  
the mounting plate  
or via cam  
adjustment!

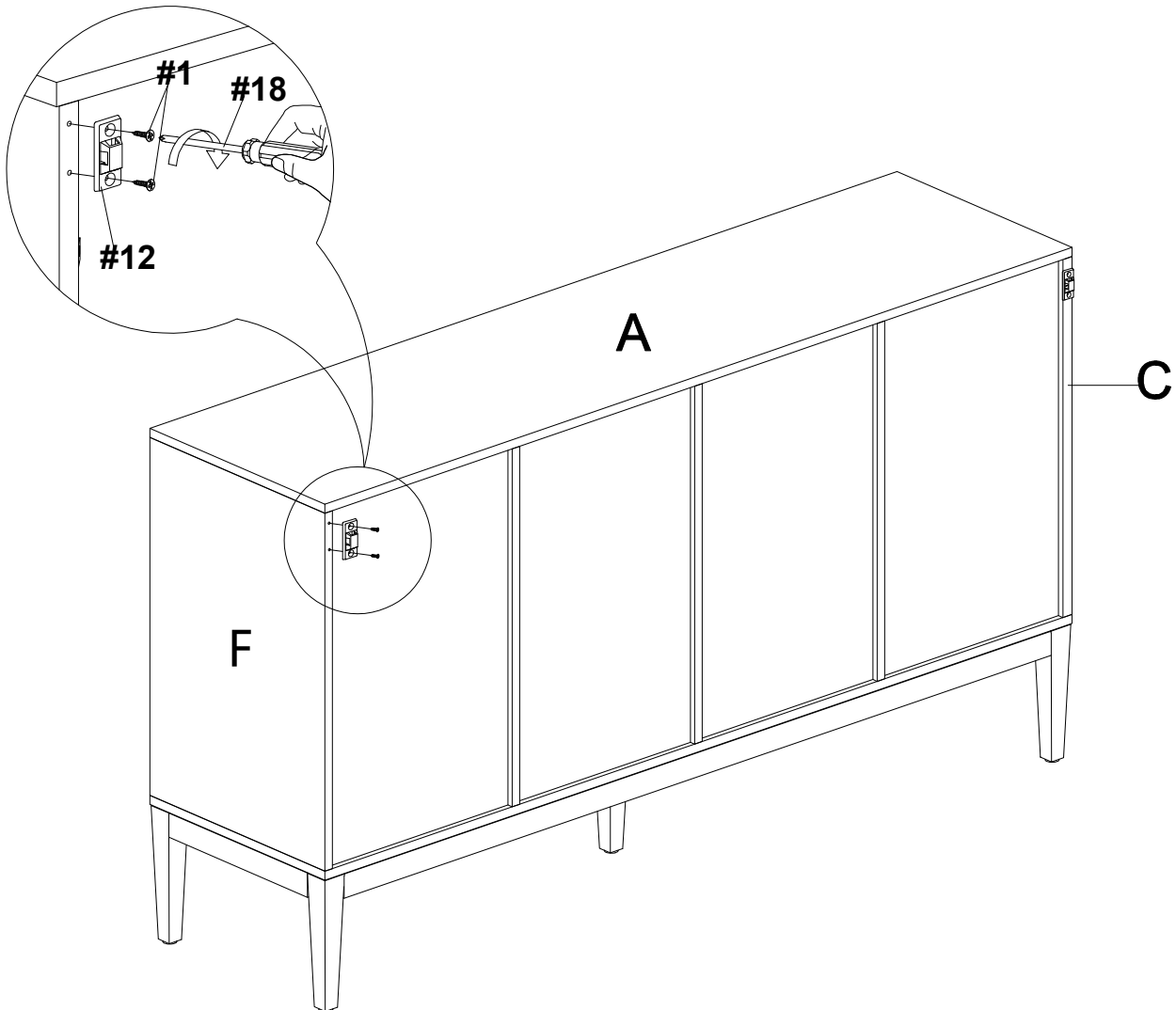


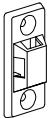

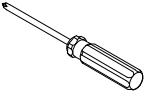
## Hinge adjustment method

# ASSEMBLY INSTRUCTIONS

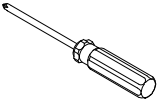

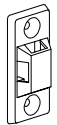
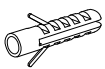
## STEP-17

1. Use screw #1 to attach part #12 to side panel (C)&(F), make sure all holes aligned and tighten screw #1 with screwdriver #18.



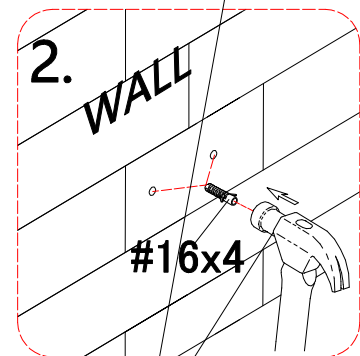
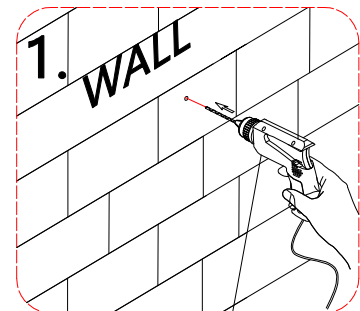
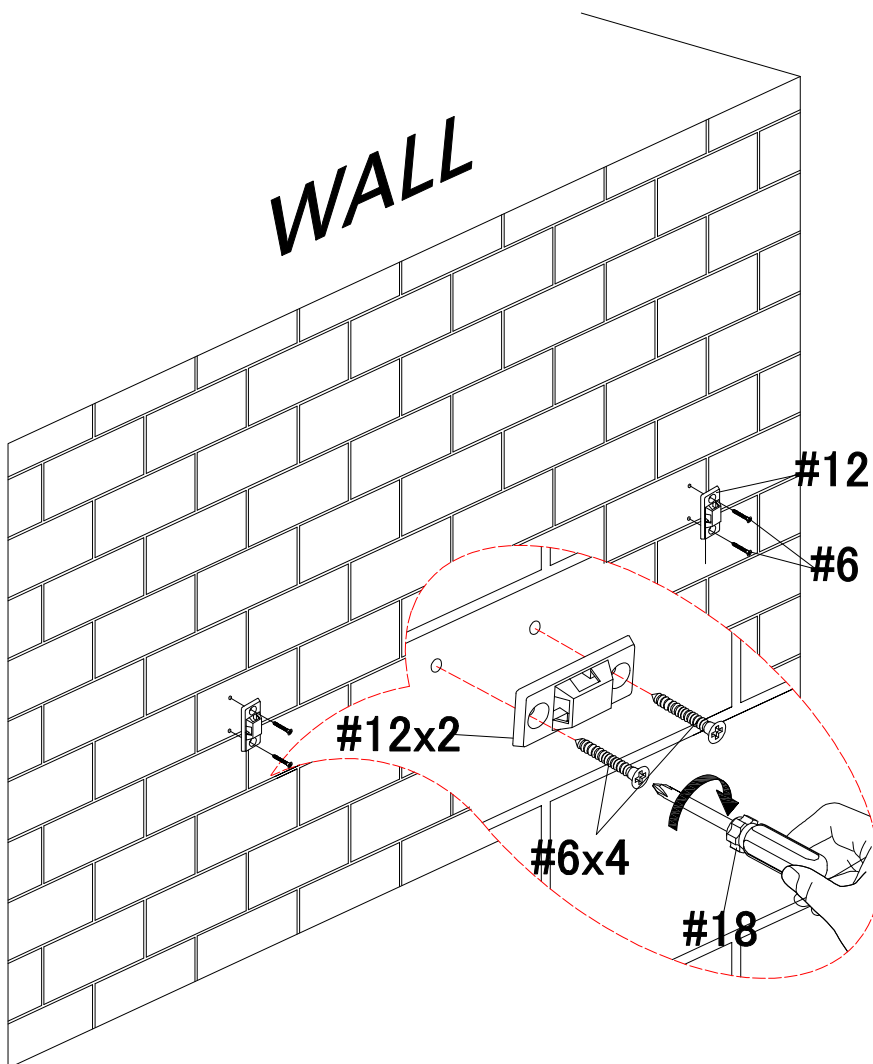
#12	x2	#1	x4	#18	x1
					
		M3.5*14			

# ASSEMBLY INSTRUCTIONS

#18	x1	#6	x4	#12	x2	#16	x4
							
		M4*35mm					

## STEP-18:

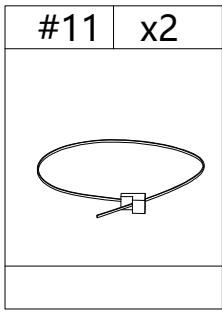
1. Mark the position on the wall, that corresponds to the location of bracket #12 on the side panel (C)&(F); Drill and insert the expandable screw #16 by hammer.
2. Assemble the bracket #12 to the wall. Align the hole in the bracket #12 with the expandable screw #16, use screw #6 to attach it, tighten screw #6 with screwdriver #18.



NOT PROVIDED

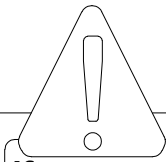


# ASSEMBLY INSTRUCTIONS

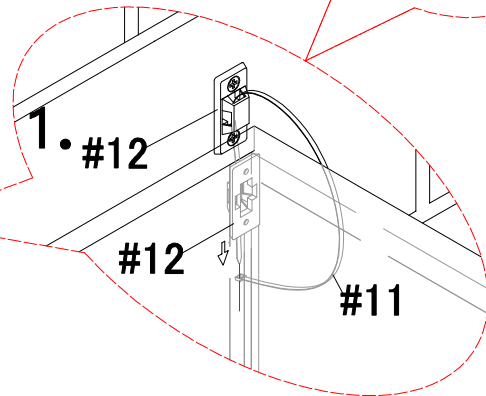
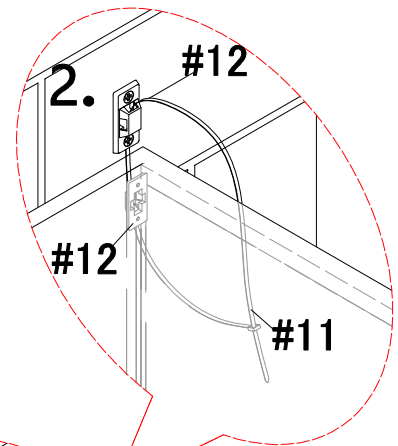
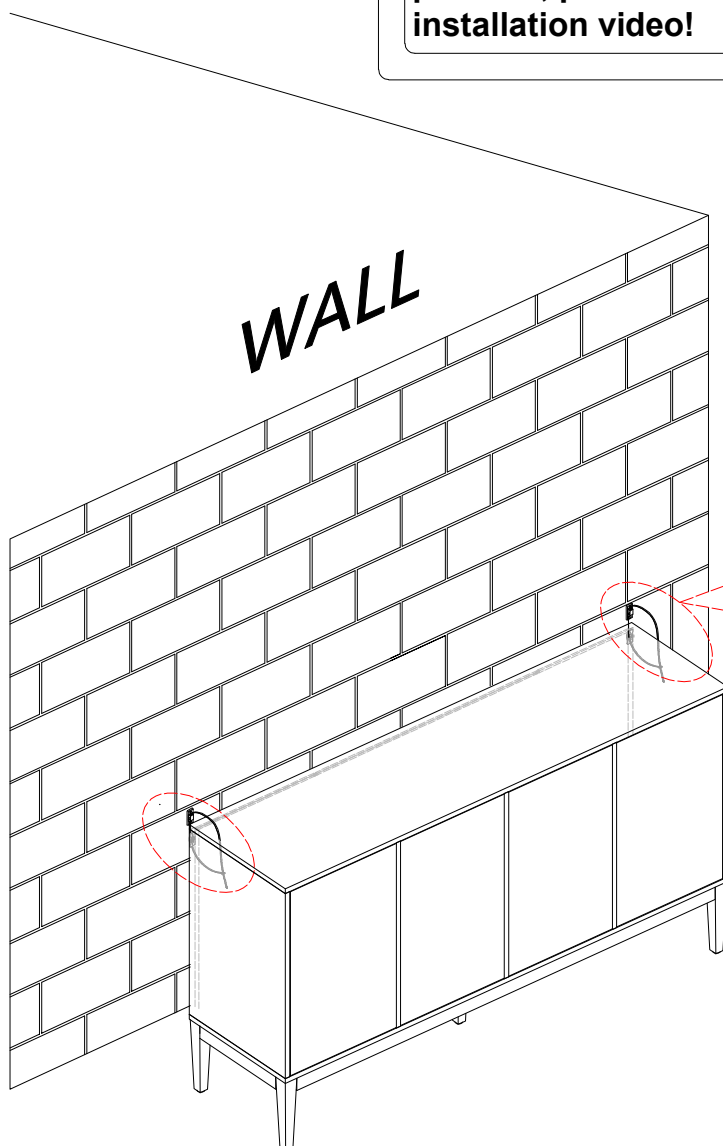


## STEP-19

3. Let the plastic belt #11 pass through bracket #12 and pull tightly.



If you encounter difficulties during the installation process, please watch the installation video!



# WARRANTY

1. We strive to offer high-quality products, and we also try our best to satisfy each and every customer that orders from us with product or service as needed.
2. We provide 30 days warranty starting from the time you receive the item. Each customer must provide a record of their order such as the order number, or item receipt for any items that are out of the warranty period you may also still receive.
3. Replacement parts by purchasing them with our company if they are available.

Are you having difficulty  
With assembly? Missing parts?  
Please send email with your order No to  
[customerservice@hulalahome.com](mailto:customerservice@hulalahome.com)  
For return, please check the return policy with  
the retailer or market place you bought from.

Appreciate your purchasing from us.  
Pop up your life by our furniture piece!