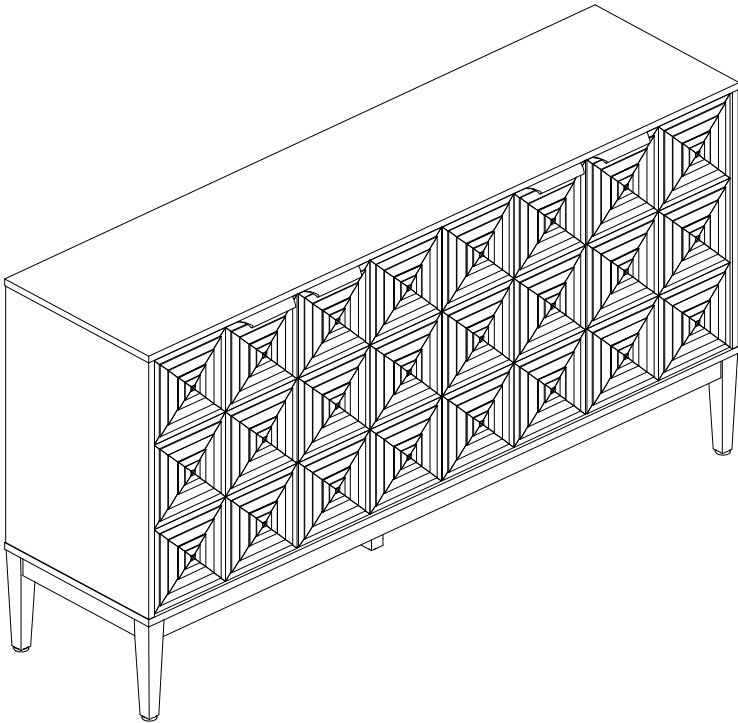


HULALA

H O M E



ITEM NO.SBSD0910

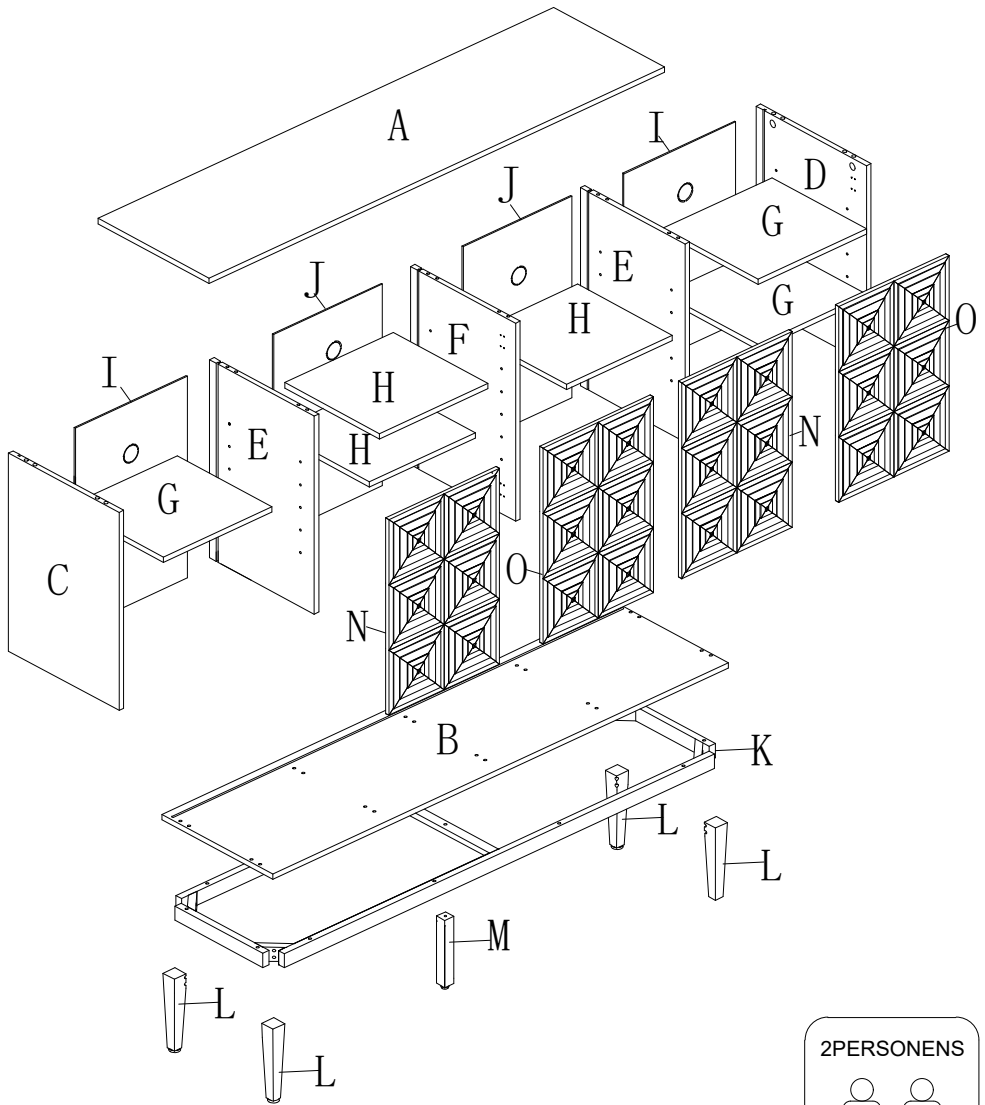
NOTE:

This brochure contains IMPORTANT safety info. Please read and keep for future reference.

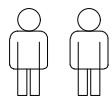
MAINTAINANCE AND WARNING

- 1.Keep furniture away from heat sources.
- 2.Do not clean furniture with harsh cleaner or polishes.Do not use detergents,solvents,abrasives,spray packs or leather cleaner. Use non-color mild soa with warm water to clean spills(Mix 1:10 soap to water).
- 3.Do not place furniture under direct sunlight,material will possibly fade over time.
- 4.Do not use on site dry cleaning machine.Children should not climb or jump on the furniture.
- 5.Do not write on furniture that is not protectedby a padded barrier.
- 6.Not for commercial use,only for residential use.

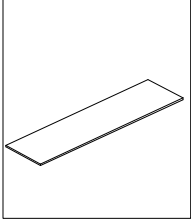
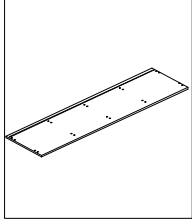
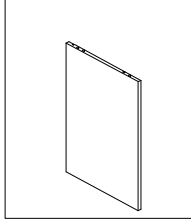
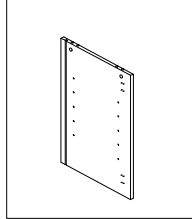
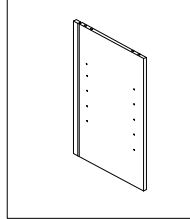
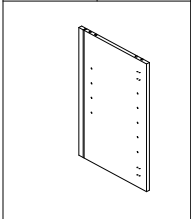
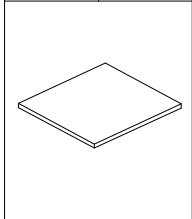
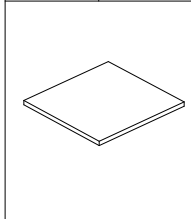
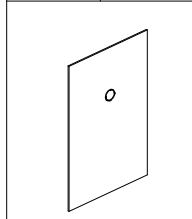
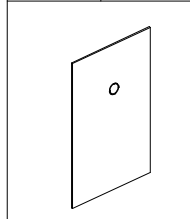
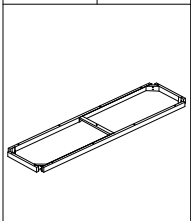
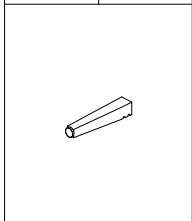
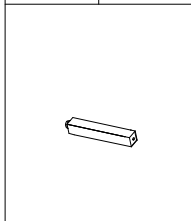
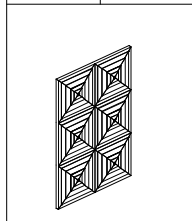
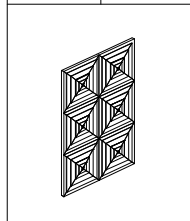





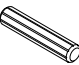





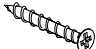

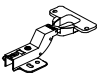
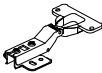





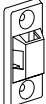

2 PERSONENS



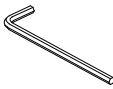
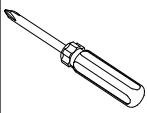
PARTS LIST 1

A	x1	B	x1	C	x1	D	x1	E	x2
									
F	x1	G	x3	H	x3	I	x2	J	x2
									
K	x1	L	x4	M	x1	N	x2	O	x2
									


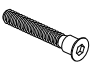



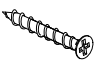

HARDWARE LIST

#1	x10	#2	x20	#3	x10	#4	x10	#5	x10	#6	x20
											
φ6*35mm		φ8*30mm		φ15*11mm		φ20		M7*50mm		M6*50mm	
#7	x76	#8	x4	#9	x1	#10	x4	#11	x4	#12	x24
											
M3.5*14mm		M4*35mm		M6*30mm							
#13	x4	#14	x24	#15	x8	#16	x4	#17	x4	#18	x2
											
				M3.5*12mm		φ8*30mm					

TOOL LIST

#19	x1	#20	x1
			
M4			

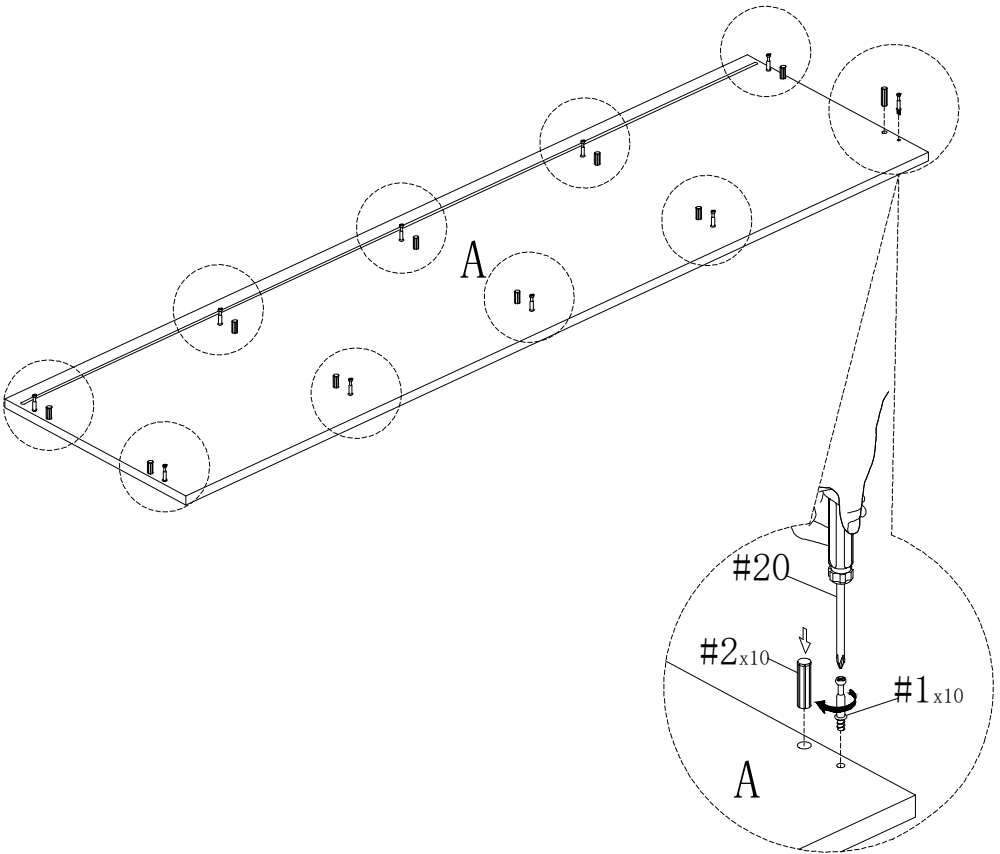
HARDWARE SPARE LIST


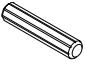
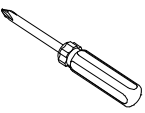
#1	x1	#5	x1	#7	x7	#6	x2	#9	x1	#8	x1
											
φ6*35mm		M7*50mm		M3.5*14mm		M6*50mm		M6*30mm		M4*35mm	
#15	x1										
											
M3.5*12mm											

ASSEMBLY INSTRUCTIONS

STEP-1

1.Prepare for part A. Align the holes in part A, insert wooden dowel #2 by hand, tighten with screwdriver #20 tighten #1.

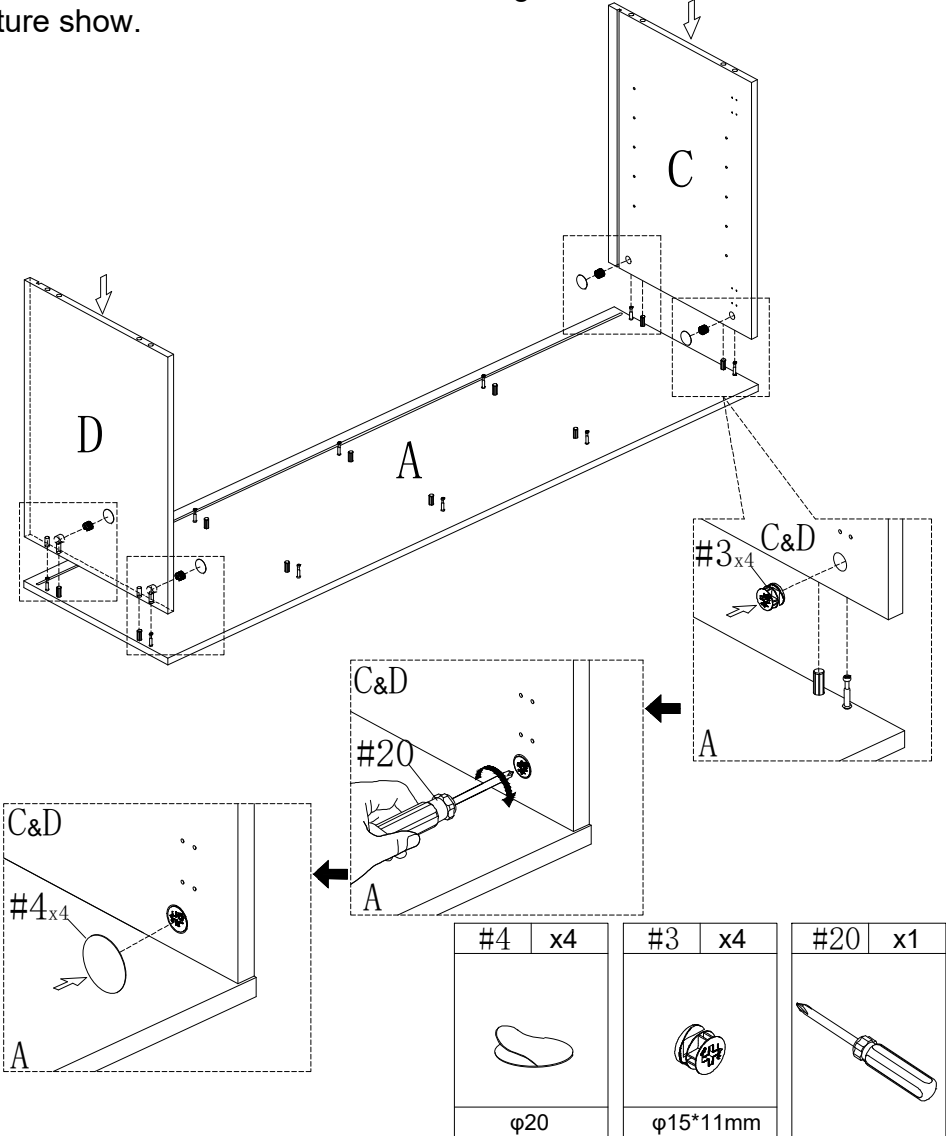


#1 x10	#2 x10	#20 x1
		
φ6*35mm	φ8*30mm	

ASSEMBLY INSTRUCTIONS

STEP-2

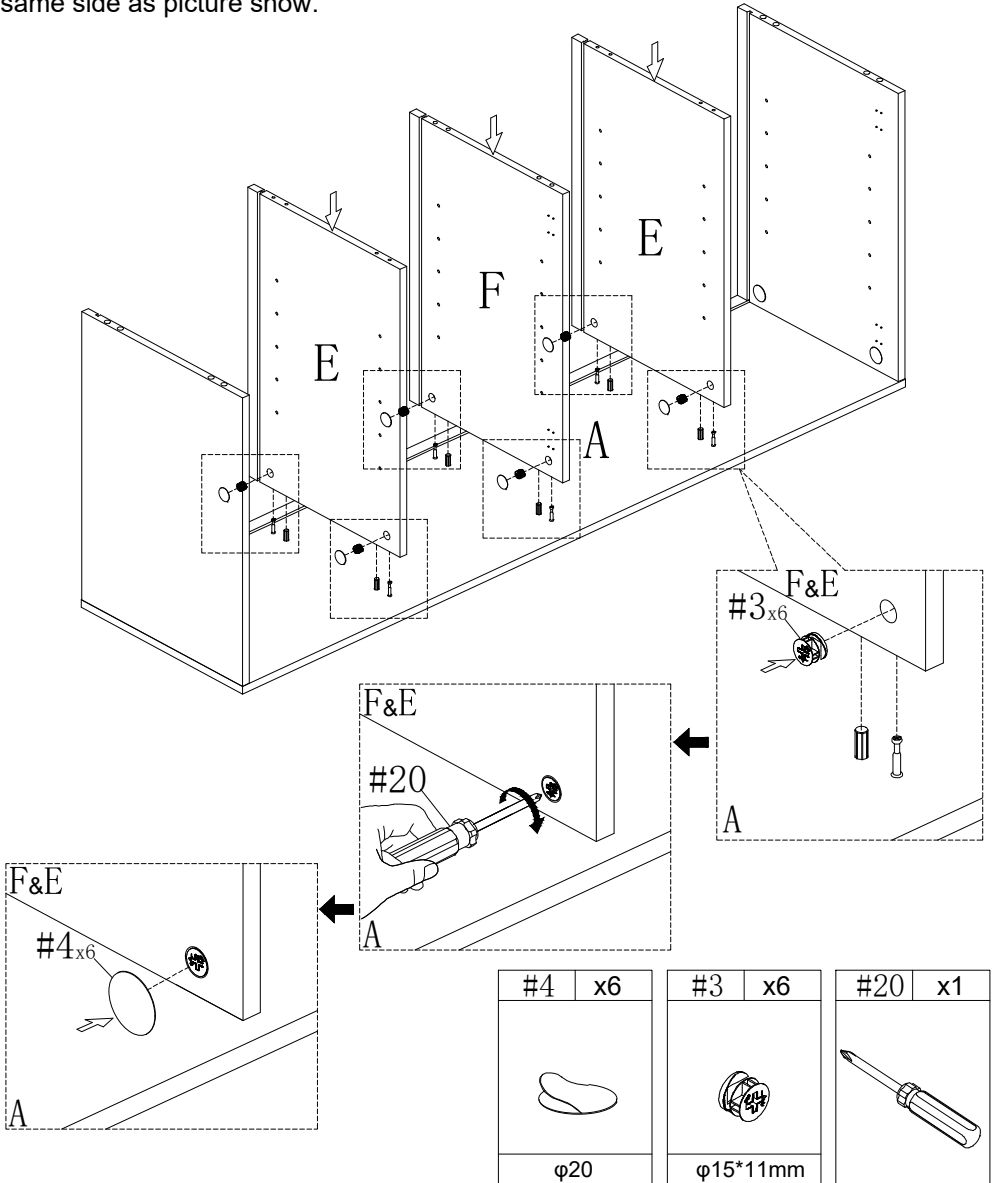
1. Connect the part A with part C&D. align the hole in the part C&D, insert the bolt #1 and wooden dowel #2 in part A into part C&D. insert cam bolt #3 into the corresponding hole of side panel C&D, and tighten the nuts #3 with a screwdriver #20. After installation, cover the screw holes with #4. Make sure the groove is in same side as picture show.



ASSEMBLY INSTRUCTIONS

STEP-3

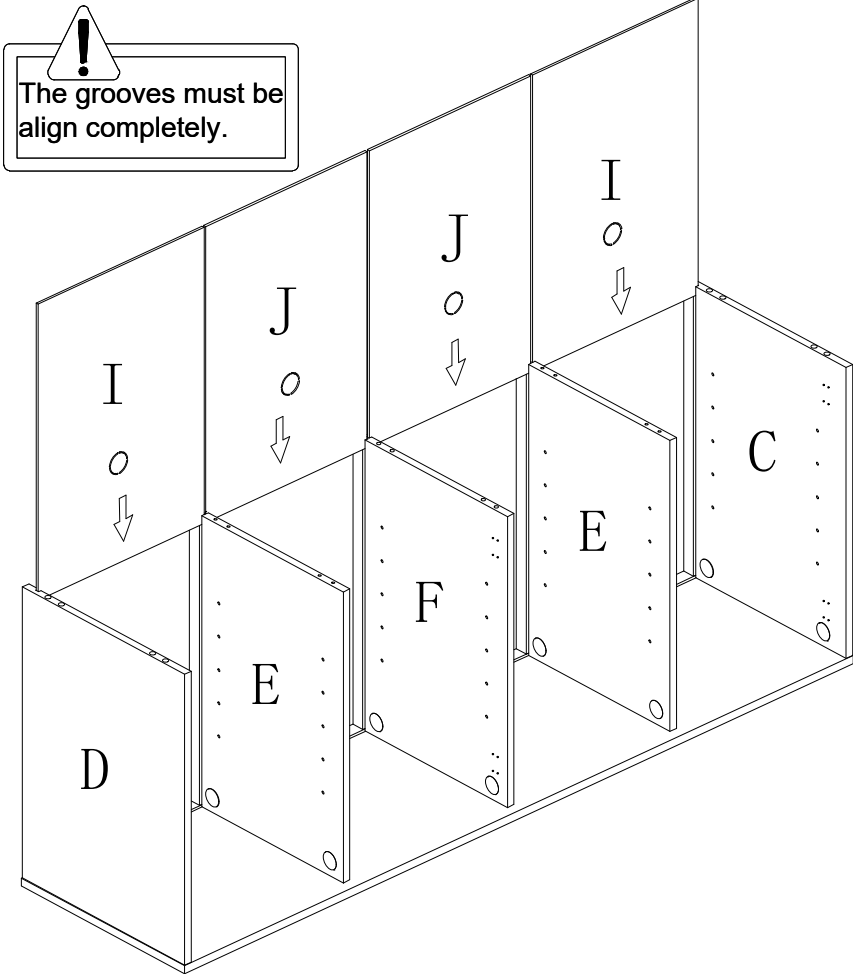
1. Connect the part A with part F&G&E. align the hole in the part F&G&E, insert the bolt #1 and wooden dowel #2 in part A into part F&G&E. insert cam bolt #3 into the corresponding hole of side panel F&G&E, and tighten the nuts #3 with a screwdriver #20. After installation, cover the screw holes with #4. Make sure the groove is in same side as picture show.



ASSEMBLY INSTRUCTIONS

STEP-4

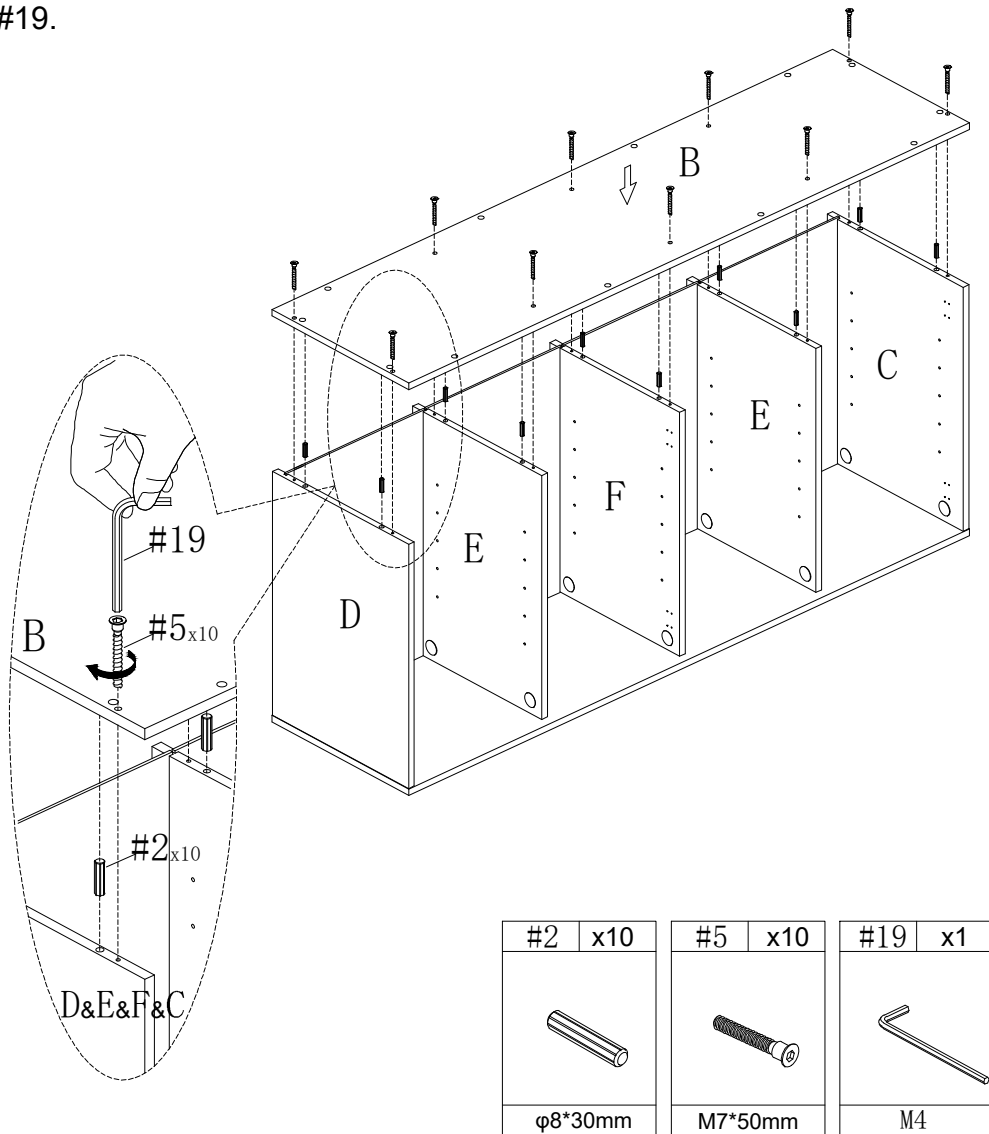
1. slide in the part J. I into the groove in part D,E and F,E and E,C .
make sure they are also in groove in part A.



ASSEMBLY INSTRUCTIONS

STEP-5

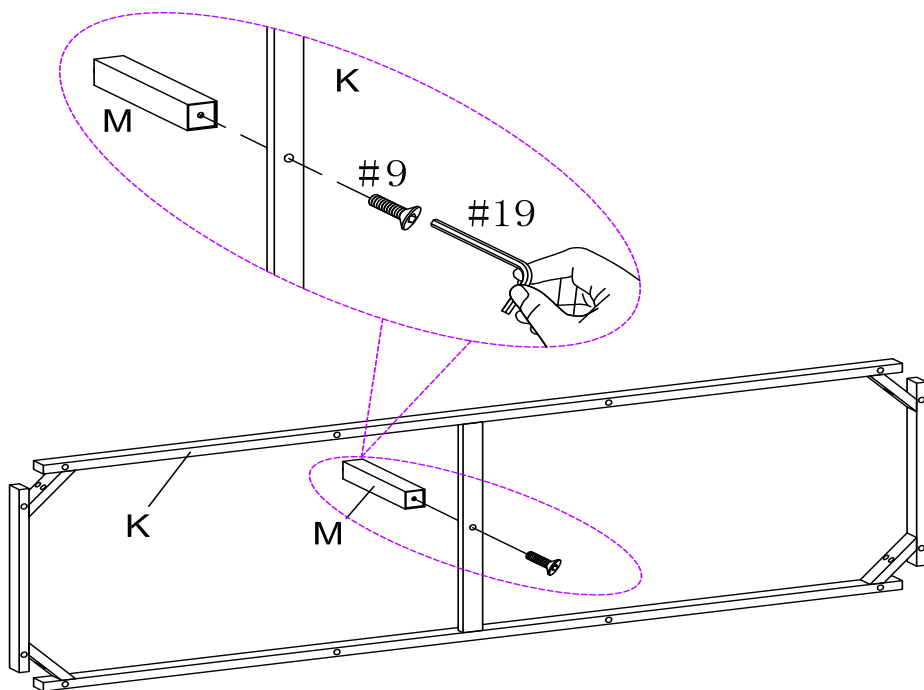
1. Insert the wooden dowel #2 into the part C&D&E&F&G as the picture show.
2. Connect the part B the pre-assembled unit in step 4. Then align the holes in part B, Insert screw #5 and push it down so that it connects to parts C&D&E&F&G. Next, and tighten the screw #5 with an Allen key #19.

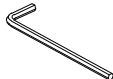


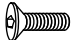
ASSEMBLY INSTRUCTIONS

STEP-6

1. Align the holes of part L insert the bolt #9, Install the middle foot(L) to part J.



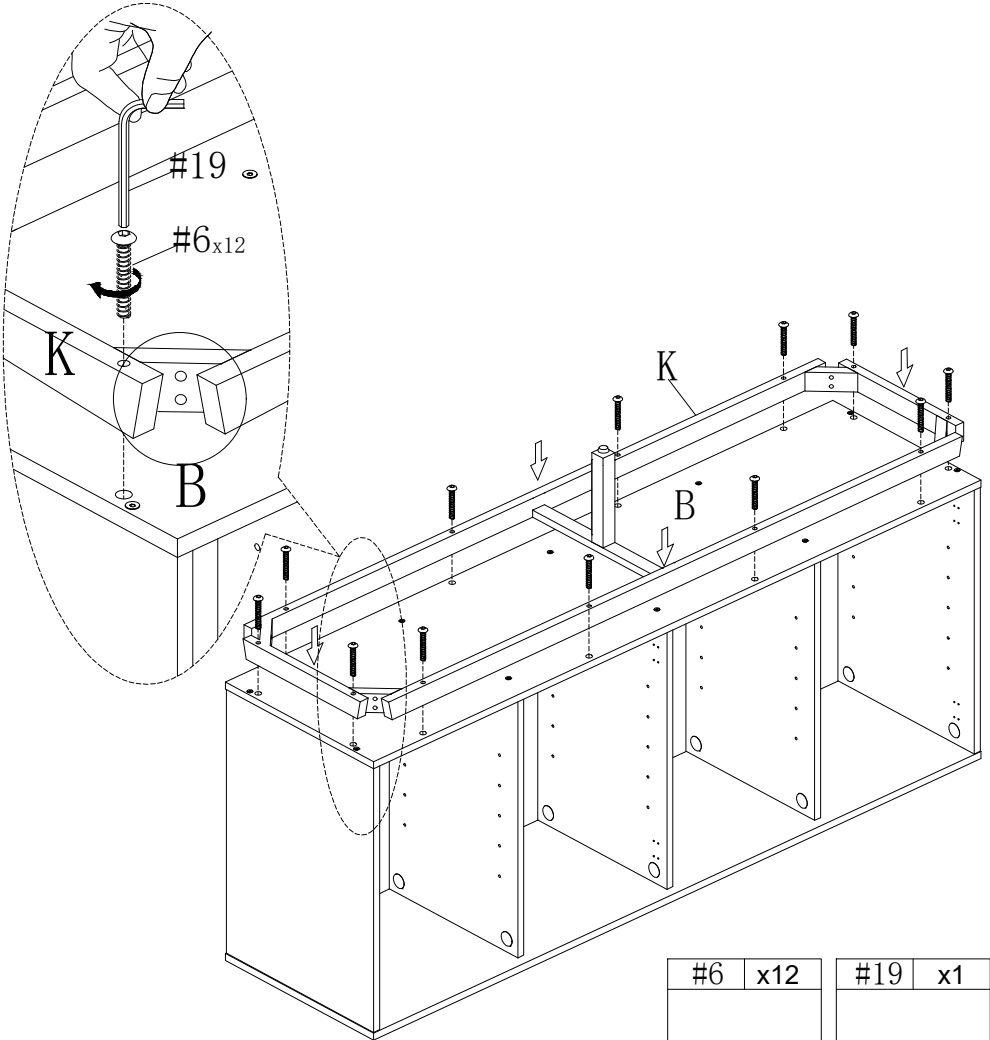
#19	x1
	
M4	


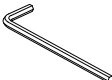
#9	x1
	
M6*30mm	

ASSEMBLY INSTRUCTIONS

STEP-7

1. connect the leg frame to the cabinet. Attach the leg frame to the pre-assembled unit in step 5 with a bolt #6 and tighten #6 with a allen key #19.

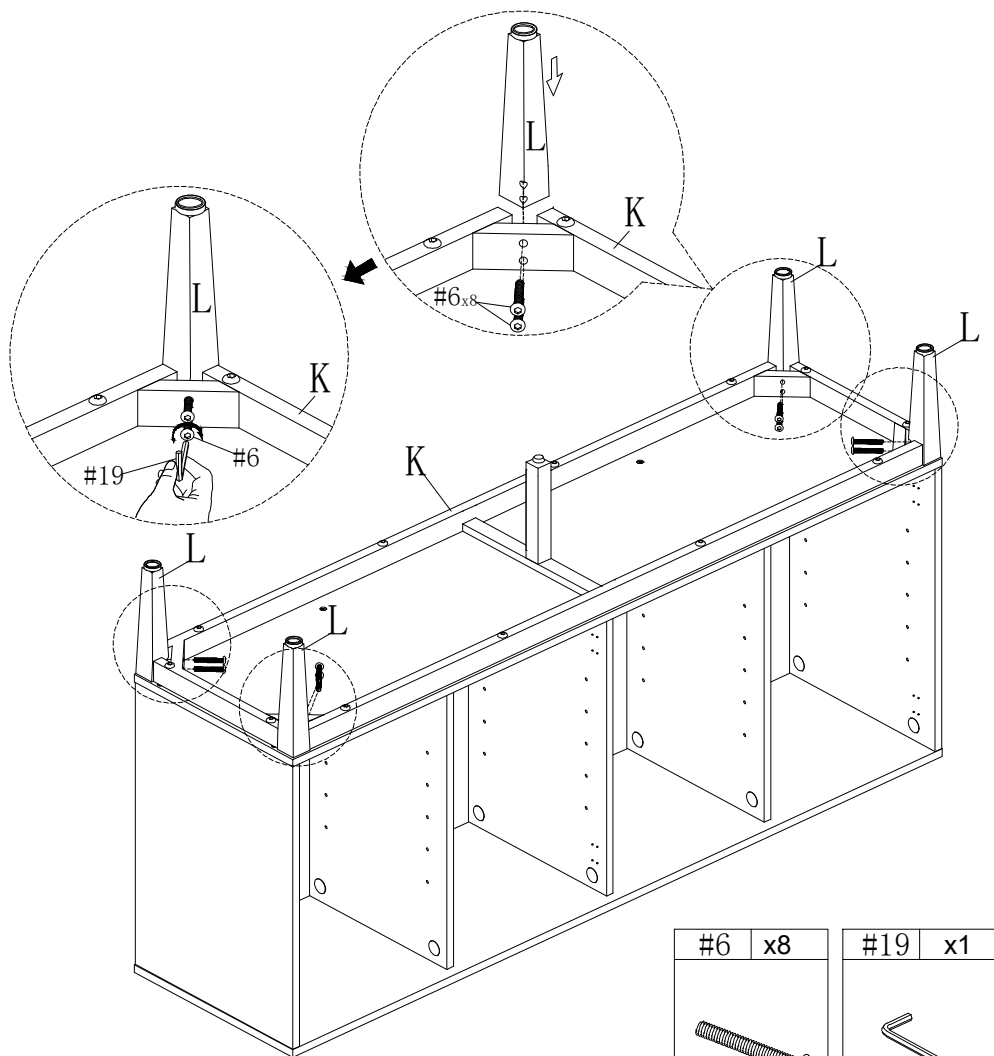



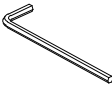
#6	x12	#19	x1
			
M6*50mm		M4	

ASSEMBLY INSTRUCTIONS

STEP-8


1. install leg (K) on of bottom frame (J), ensure the corresponding holes are aligned and fix with bolt #6, then tighten the screw with an Allen key #19.



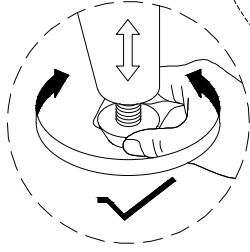
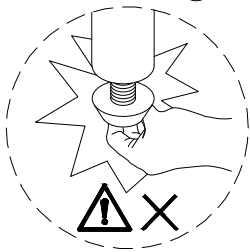
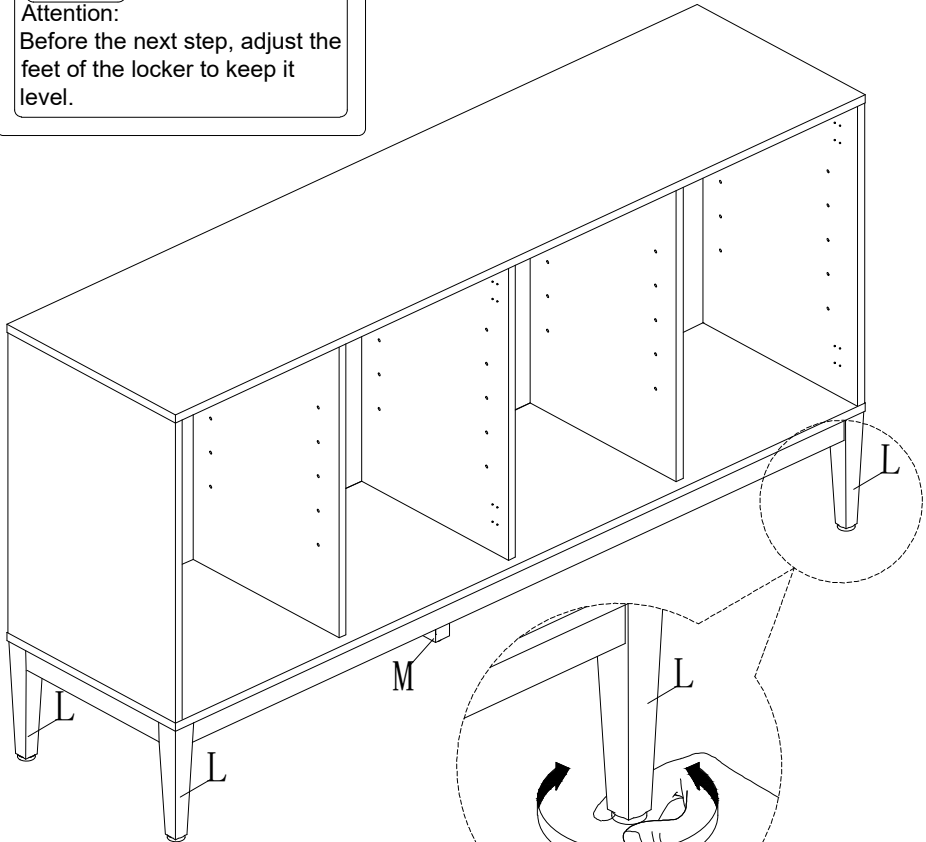
#6	x8	#19	x1
			
M6*50mm		M4	

ASSEMBLY INSTRUCTIONS

STEP-9



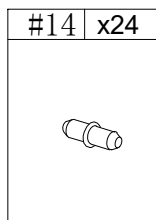
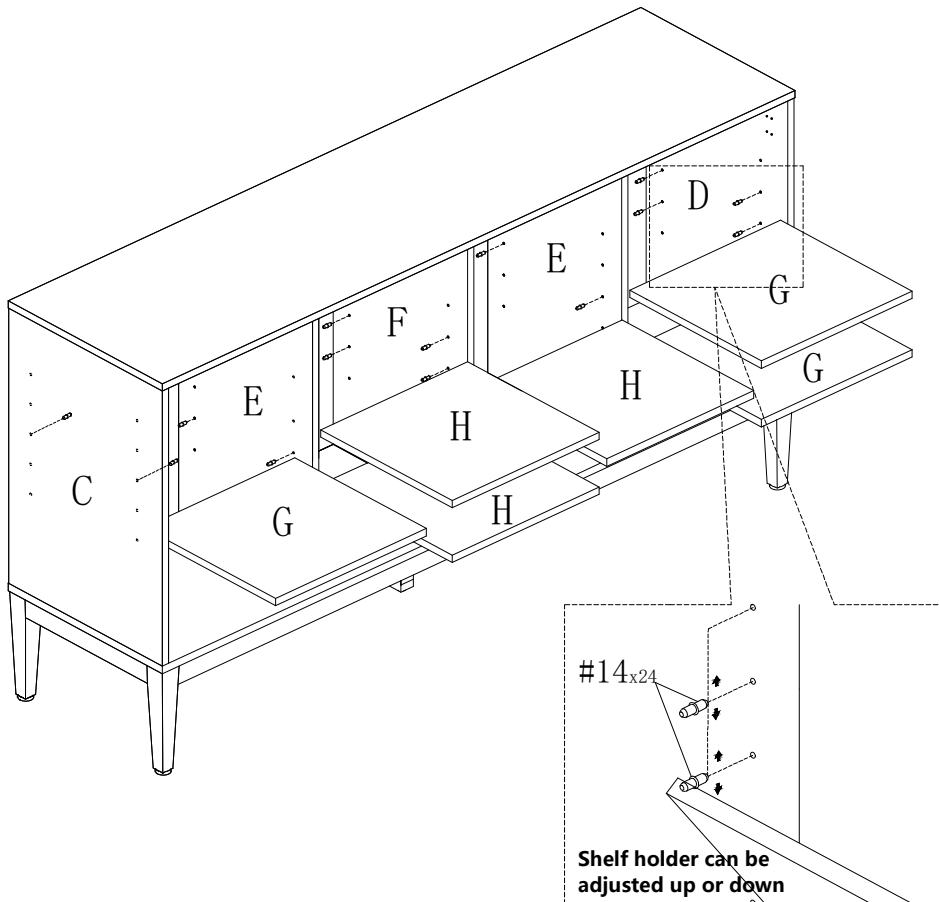
Attention:
Before the next step, adjust the feet of the locker to keep it level.



ASSEMBLY INSTRUCTIONS

STEP-10

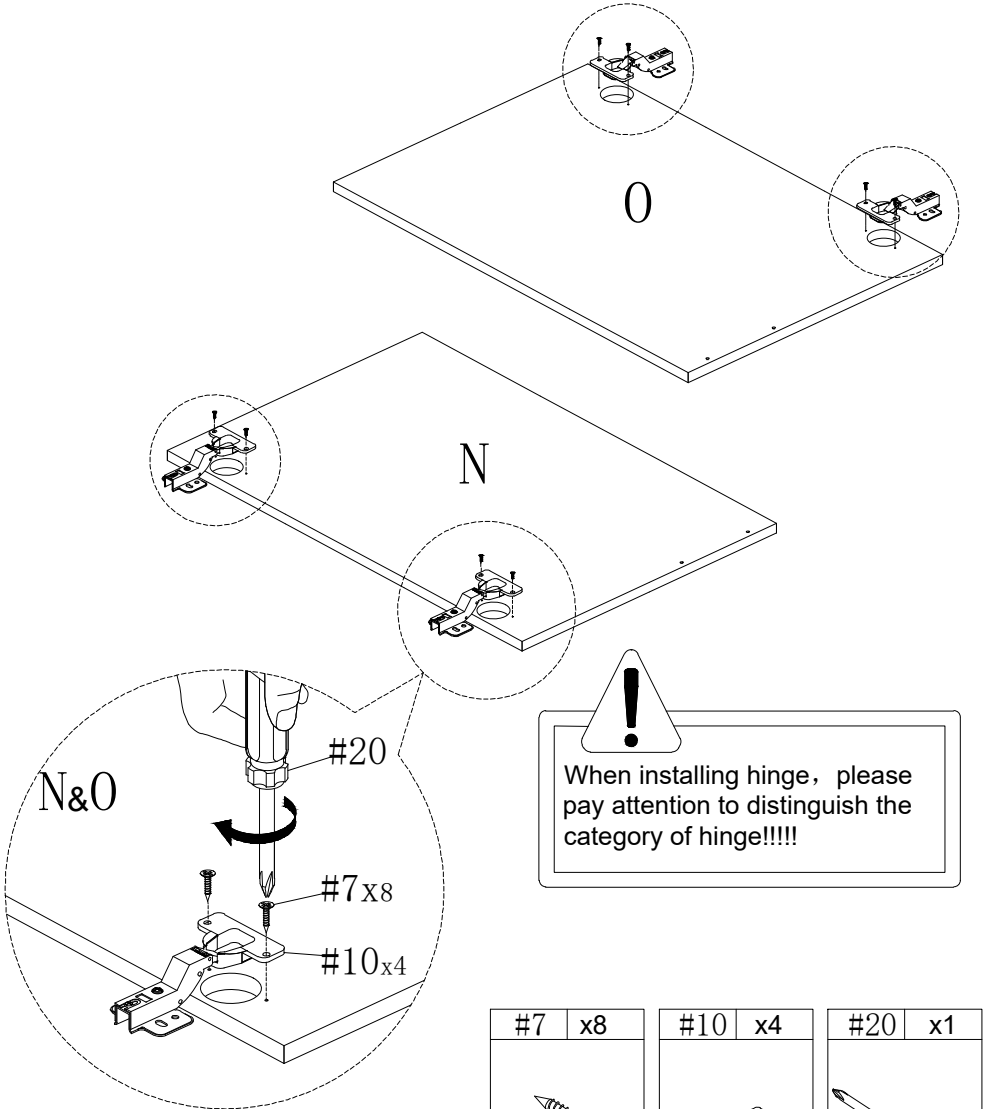
1. Insert shelf pin #14 into pre-assembly unit at step 16. attach adjustable shelf H&G to pin #14.


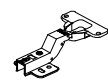
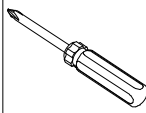


ASSEMBLY INSTRUCTIONS

STEP-11

1. Use screw #7 to attach the hinges #10 to door panel (O&N), tighten screws #7 with screwdriver #20.

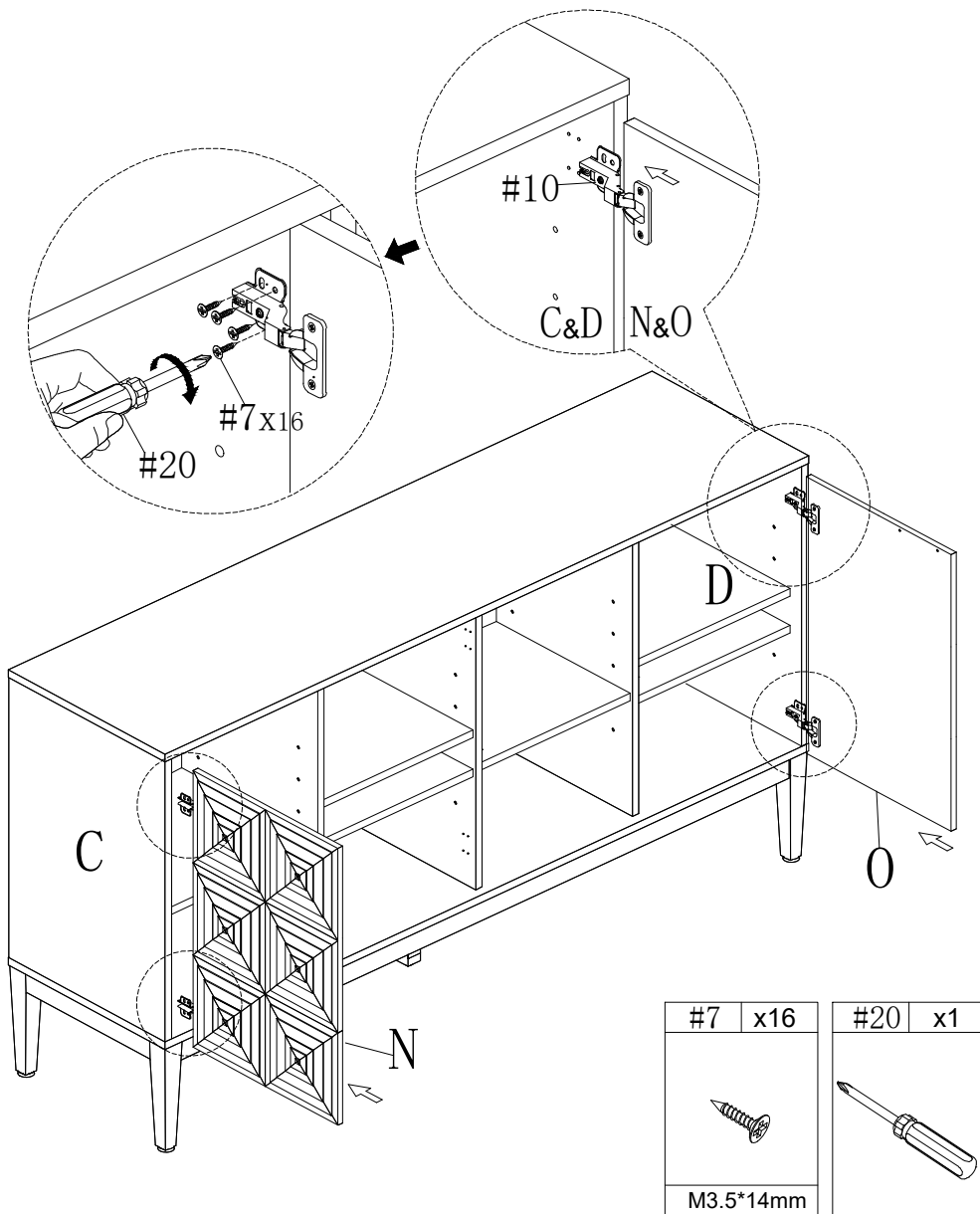


#7 x8	#10 x4	#20 x1
		
M3.5*14mm		

ASSEMBLY INSTRUCTIONS

STEP-12

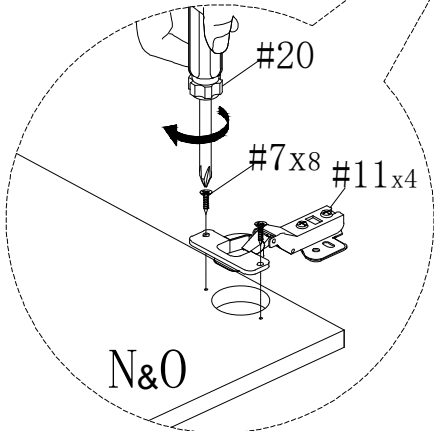
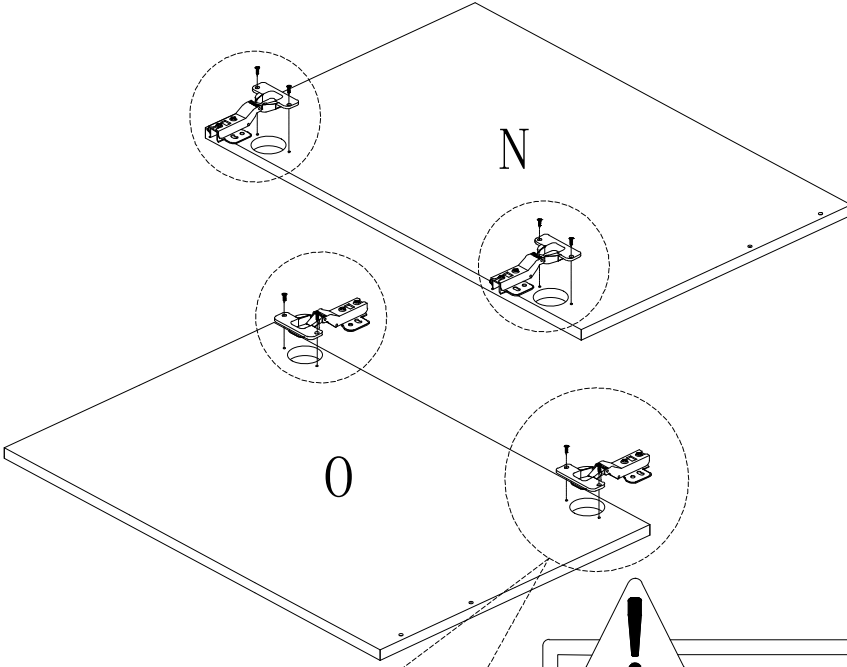
1. Use screw #7 to attach left door (N) and right door (O) to pre-assemble unit at step 9 ,tighten screw #7 with screwdriver #20 .




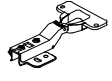
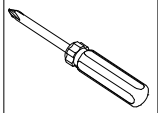
ASSEMBLY INSTRUCTIONS

STEP-13

1. Use screw #7 to attach the hinges #11 to door panel (O&N), tighten screws #7 with screwdriver #20.



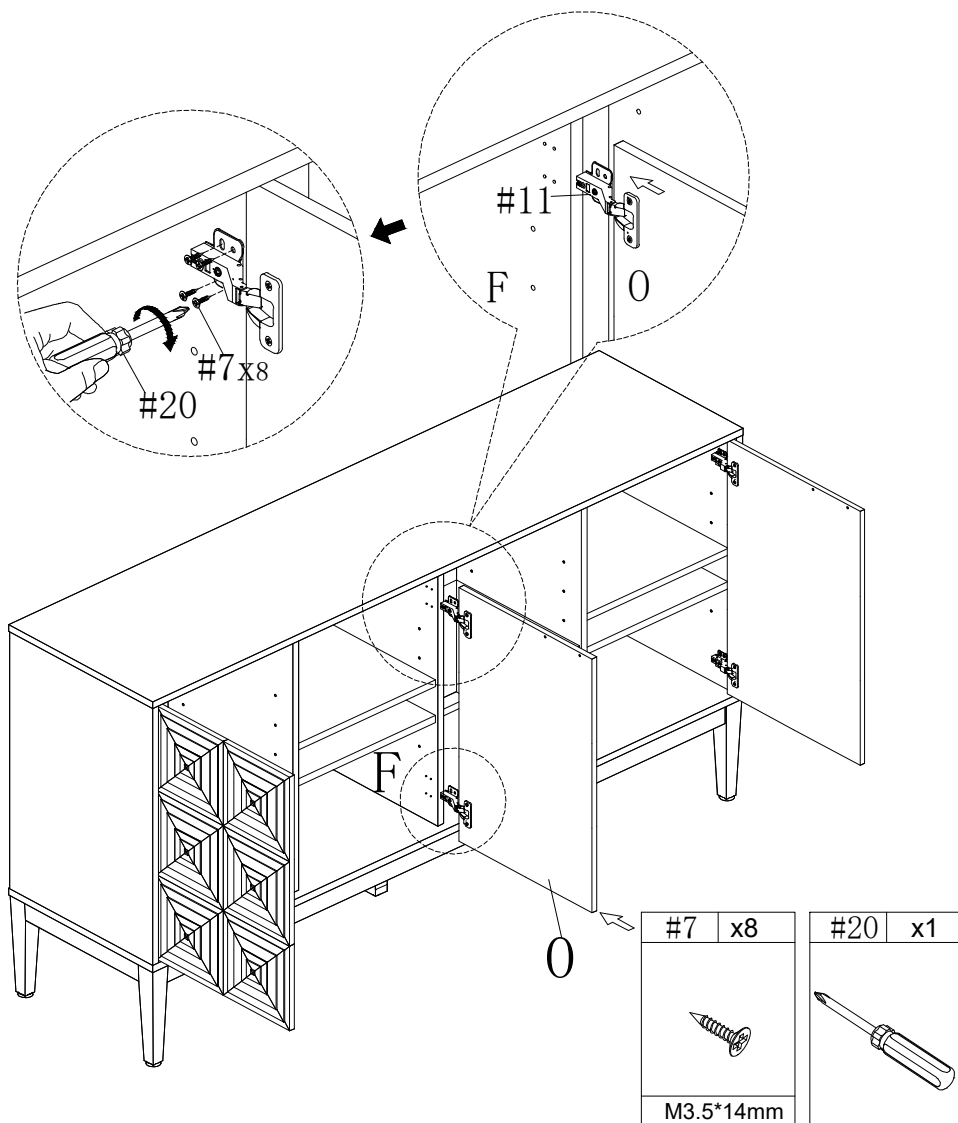
!
When installing hinge, please pay attention to distinguish the category of hinge!!!!

#7 x8	#11 x4	#20 x1
		
M3.5*14mm		

ASSEMBLY INSTRUCTIONS

STEP-14

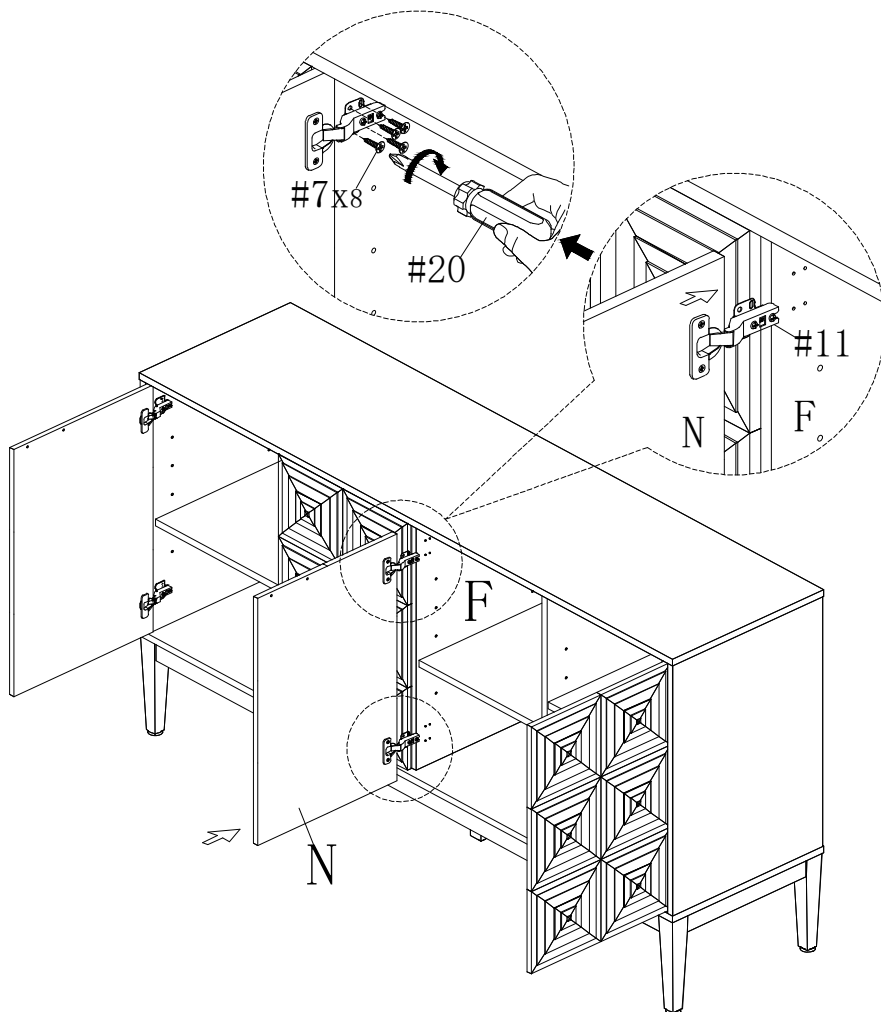
1. Use screw #7 to attach middle door (O) to pre-assemble unit at step 12, tighten screw #7 with screwdriver #20.


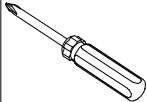


ASSEMBLY INSTRUCTIONS

STEP-15

1. Use screw #7 to attach middle door (N) to pre-assemble unit at step 13, tighten screw #7 with screwdriver #20.

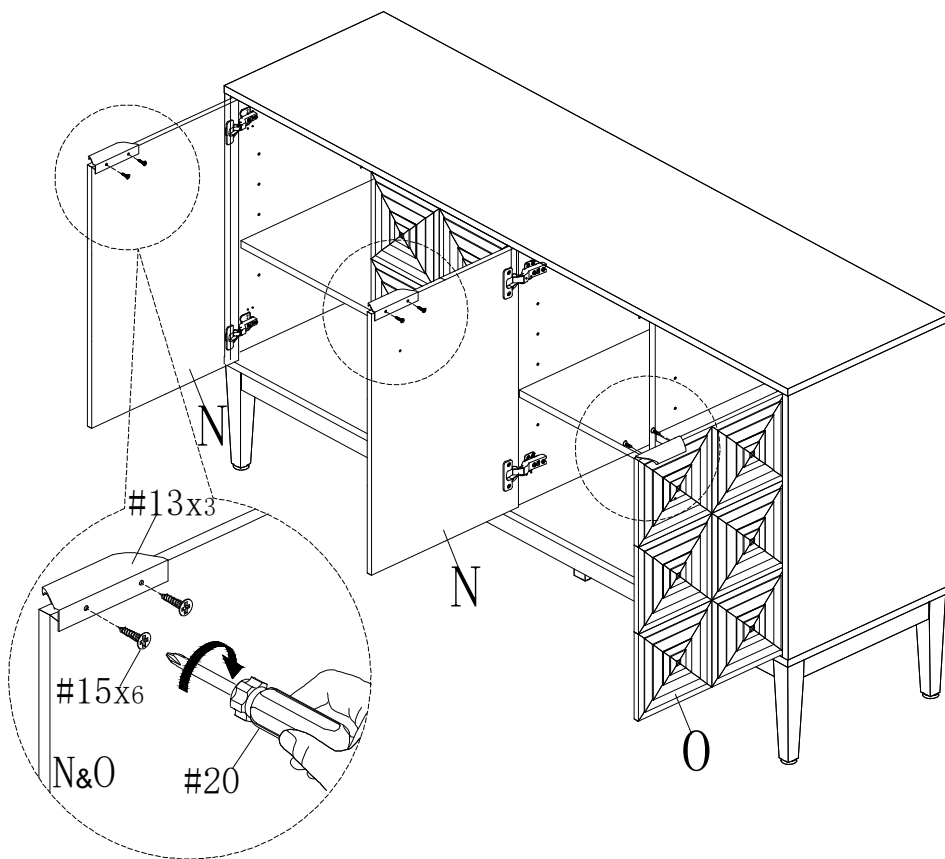




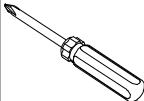
#7	x8	#20	x1
			
M3.5*14mm			

ASSEMBLY INSTRUCTIONS

STEP-16

1. Use bolt #7 to attach handle #13 to door panel (N&O), tighten bolts #15 with screwdriver #20.

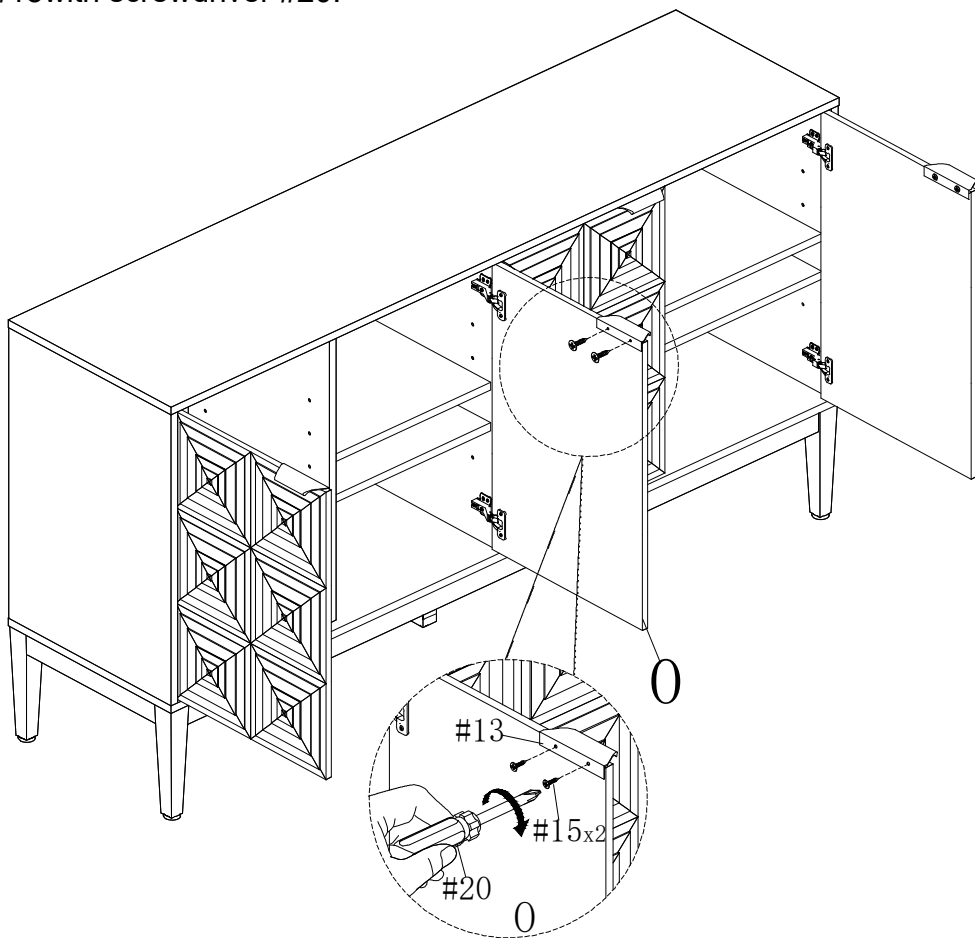


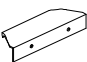

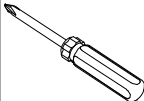
#13 x3	#15 x6	#20 x1
	 M3.5*12mm	

ASSEMBLY INSTRUCTIONS

STEP-17

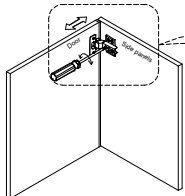
1. Use bolt #7 to attach handle #13 to door panel (O), tighten bolts #15 with screwdriver #20.



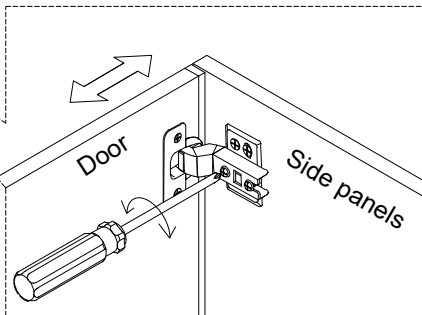
#13 x1	#15 x2	#20 x1
	 M3.5*12mm	

ASSEMBLY INSTRUCTIONS

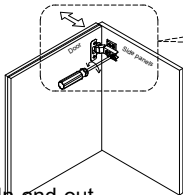
Concealed hinges are three-way adjustable:



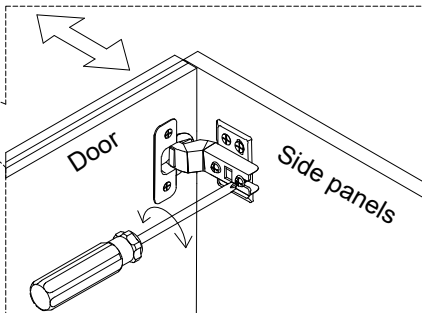
Horizontal
by screw adjustment!



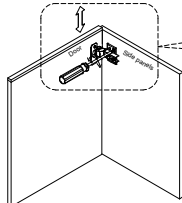
Concealed hinges are three-way adjustable:



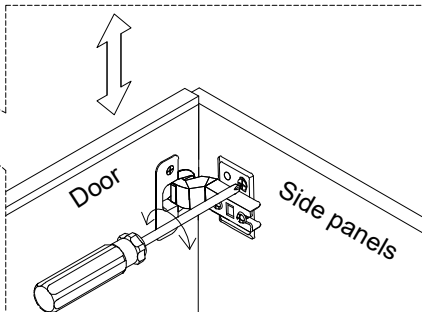
In-and-out
by loosening the hinge arm
mounting screw or via cam
adjustment!



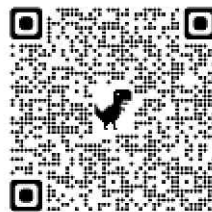
Concealed hinges are three-way adjustable:



Vertical via slots in
the mounting plate
or via cam adjustment!



Hinge adjustment method

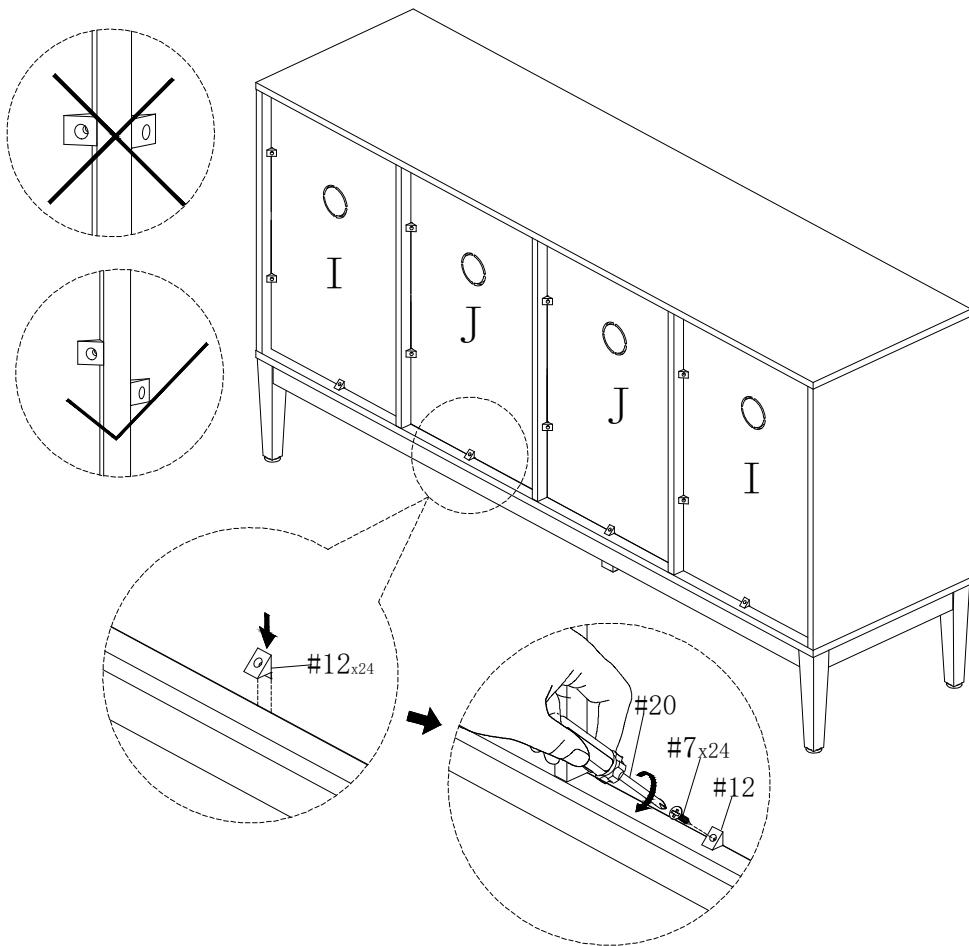




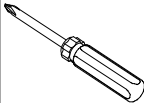
Video for door adjustment

ASSEMBLY INSTRUCTIONS

STEP-18

1. Insert hardware #12 into part H&I as shown, screw in screw #7 using screwdriver #20 and tighten fully.

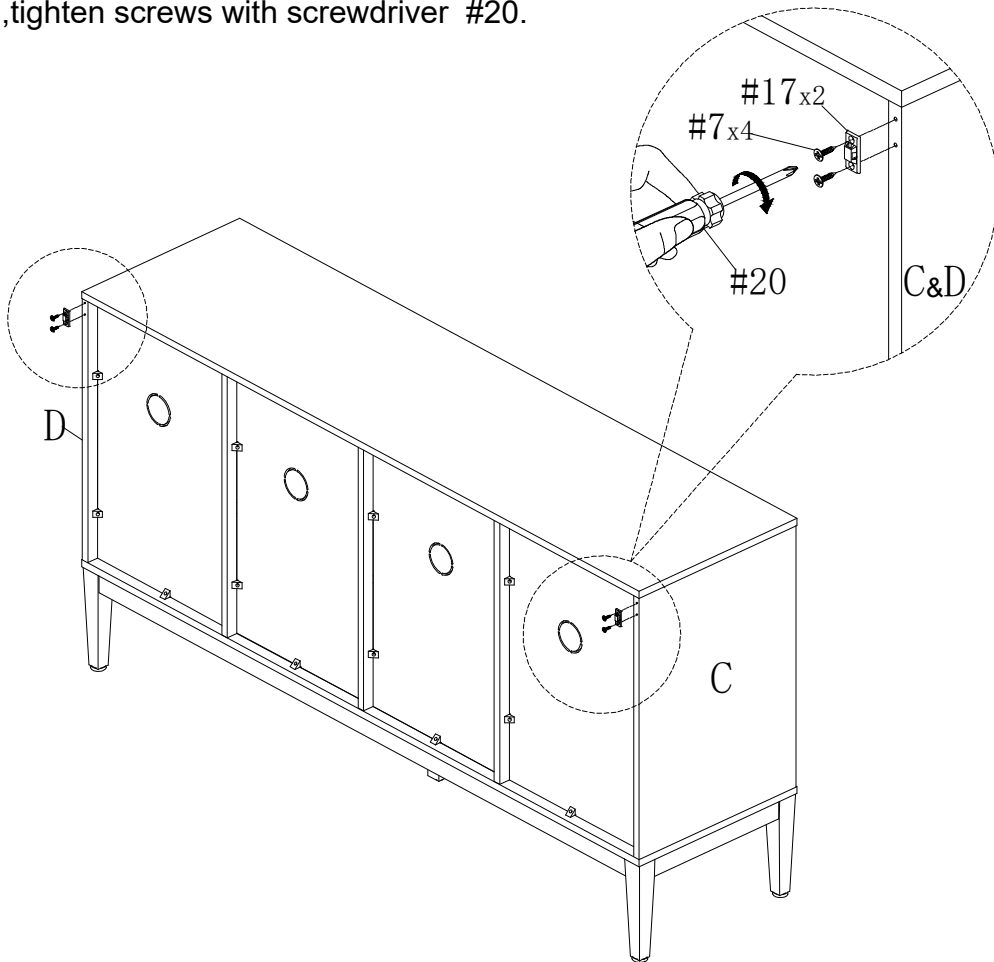


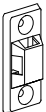

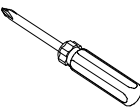
#12 x24	#7 x24	#20 x1
	 M3.5*14mm	

ASSEMBLY INSTRUCTIONS

STEP-19



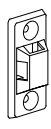
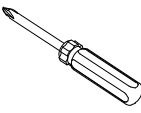
1. Use screw #7 to attach part #17 to pre-assembly unit at step 17, tighten screws with screwdriver #20.



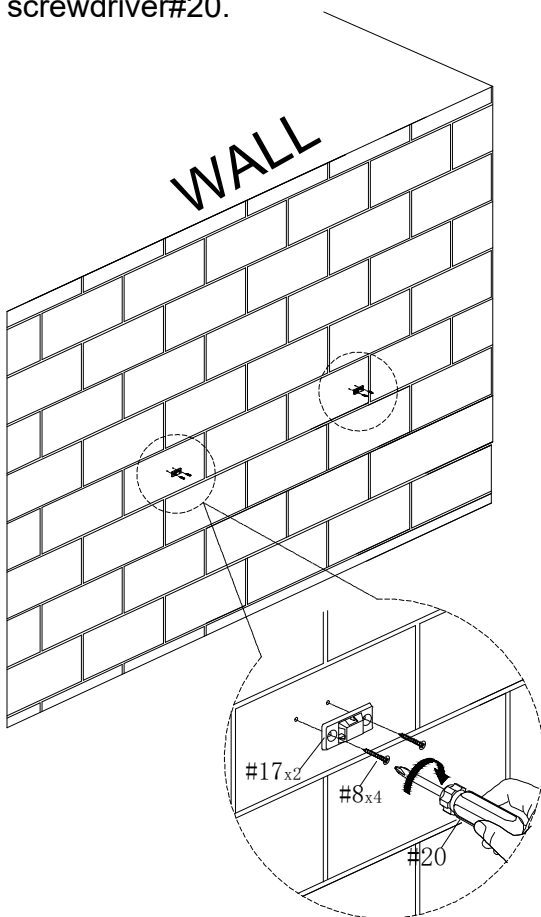
#17 x2	#7 x4	#20 x1
	 M3.5*14mm	

ASSEMBLY INSTRUCTIONS

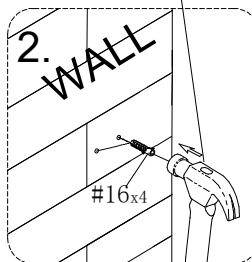
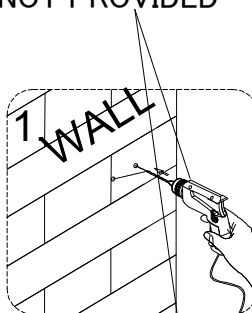
STEP-20

#8	x4	#16	x4	#17	x2	#20	x1
							
M4*35mm							

1. Install the anti-collapse device.
2. Mark the position on the wall, that corresponds to the location of part #17 on the of panel (C&D); Drill and insert the expandable screw #16 by hammer.
3. Assemble the part #17 to the wall. Align the hole in the part #17 with the expandable screw #16, use screw #8 to attach it and tighten by screwdriver #20.

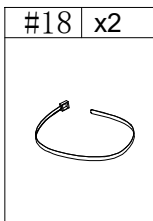


NOT PROVIDED

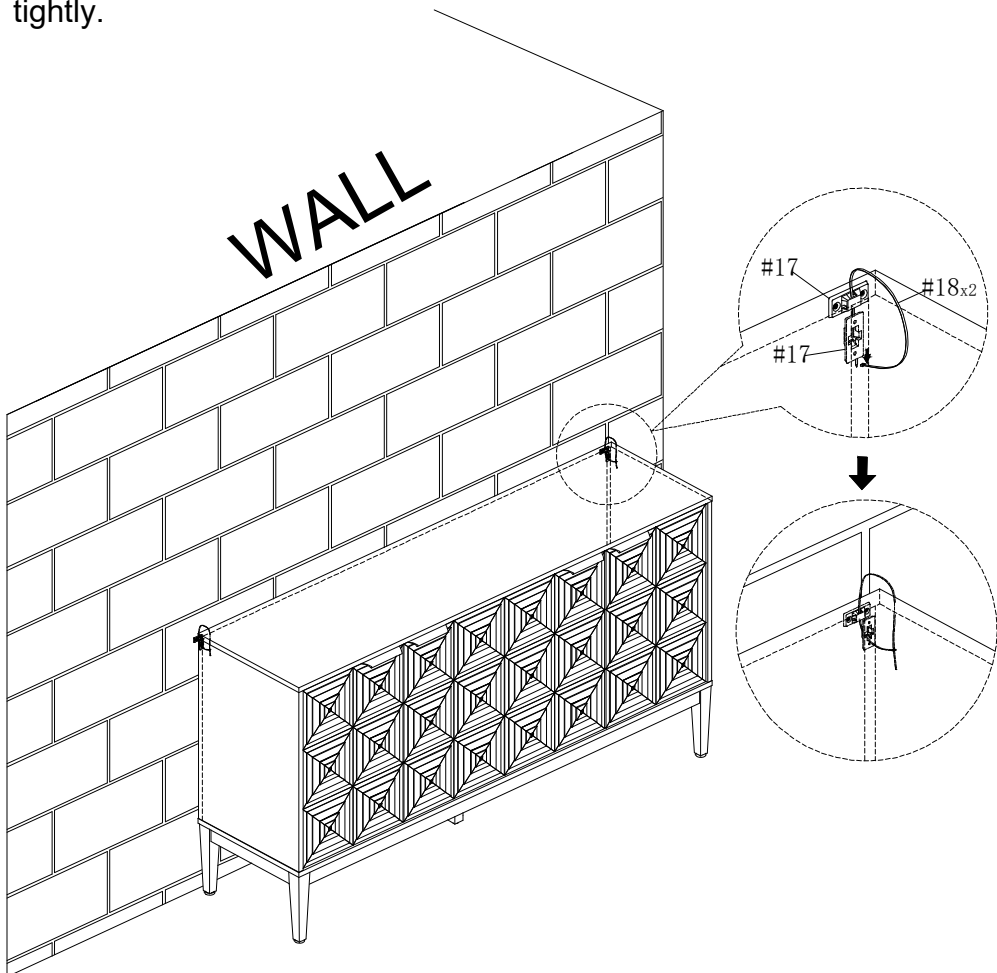


ASSEMBLY INSTRUCTIONS

STEP-21



1. Let the plastic belt #18 pass through the both part #17 and pull tightly.



WARRANTY

1. We strive to offer high-quality products, and we also try our best to satisfy each and every customer that orders from us with product or service as needed.
2. We provide 30 days warranty starting from the time you receive the item. Each customer must provide a record of their order such as the order number, or item receipt for any items that are out of the warranty period you may also still receive.
3. Replacement parts by purchasing them with our company if they are available.

Are you having difficulty
With assembly? Missing parts?
Please send email with your order No to
customerservice@hulalahome.com
For return, please check the return policy with
the retailer or market place you bought from.

Appreciate your purchasing from us.
Pop up your life by our furniture piece!