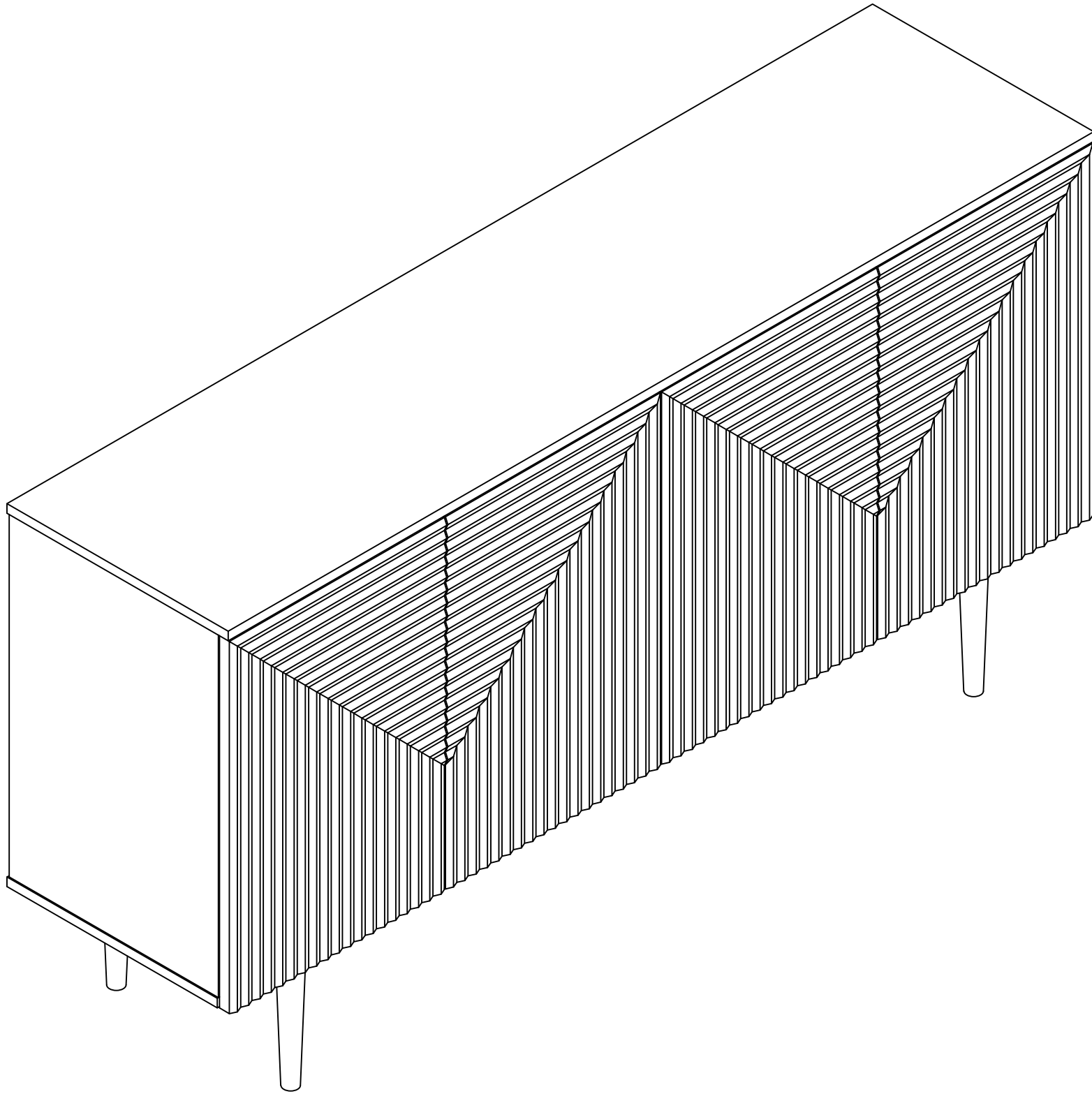


HULALA

H O M E



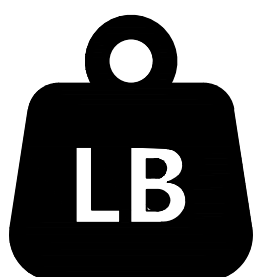
ITEM NO.SBSD0922

NOTE:

This brochure contains IMPORTANT safty info. Please read and keep for future reference.

MAINTAINANCE AND WARNING

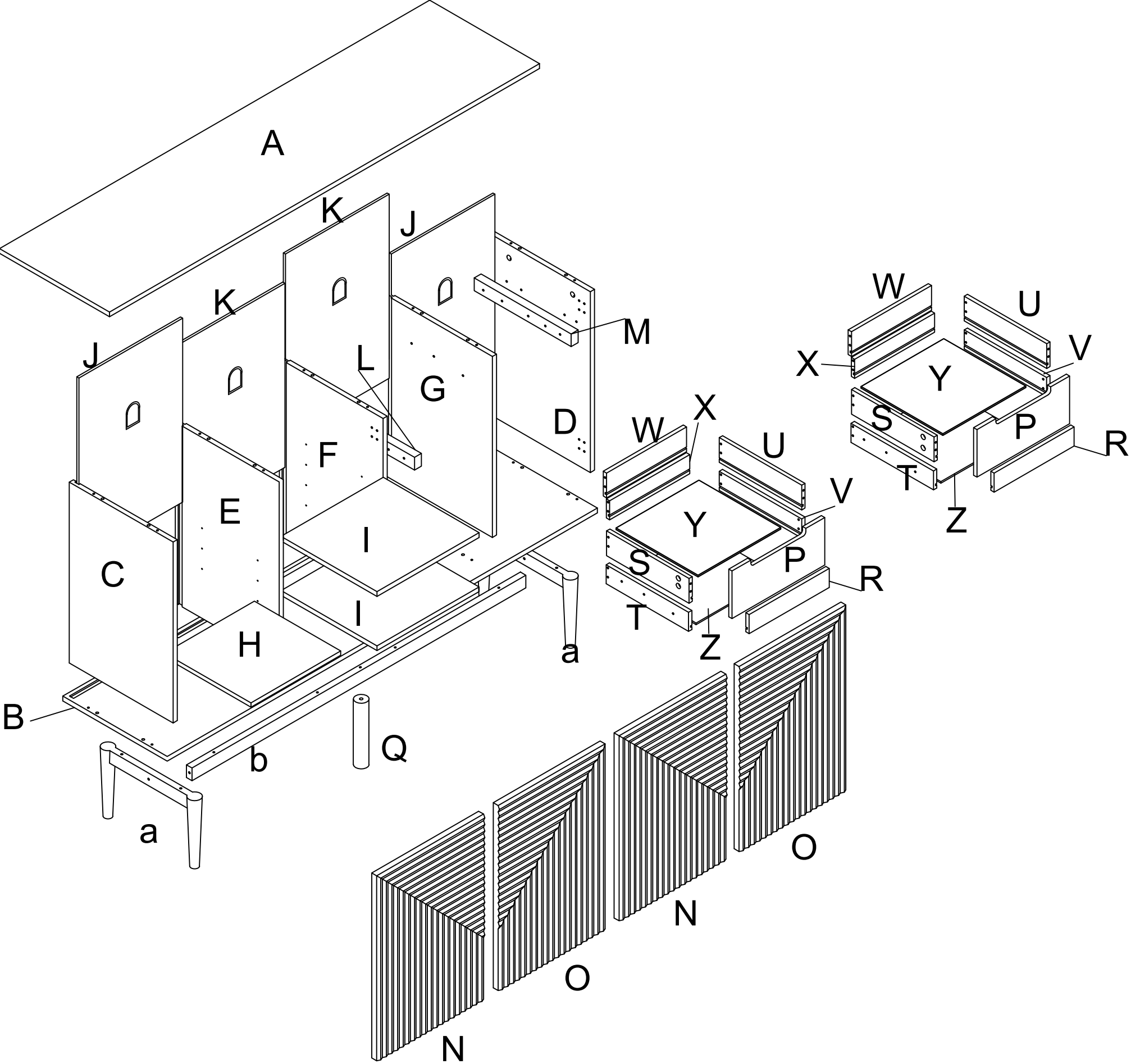
- 1.Keep furniture away from heat sources.
- 2.Do not clean furniture with harsh cleaner or polishes.Do not use detergents,solvents,abrasives,spray packs or leather cleaner. Use non-color mild soa with warm water to clean spills(Mix 1:10 soap to water).
- 3.Do not place furniture under direct sunlight,material will possibly fade over time.
- 4.Do not use on site dry cleaning machine.Children should not climb or jump on the furniture.
- 5.Do not write on furniture that is not protectedby a padded barrier.
- 6.Not for commercial use,only for residential use.



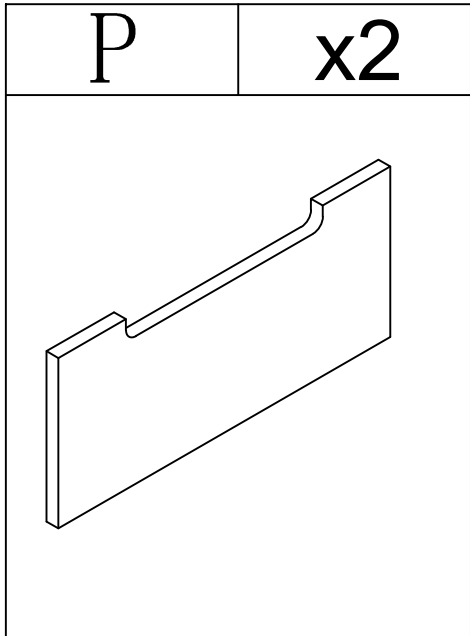
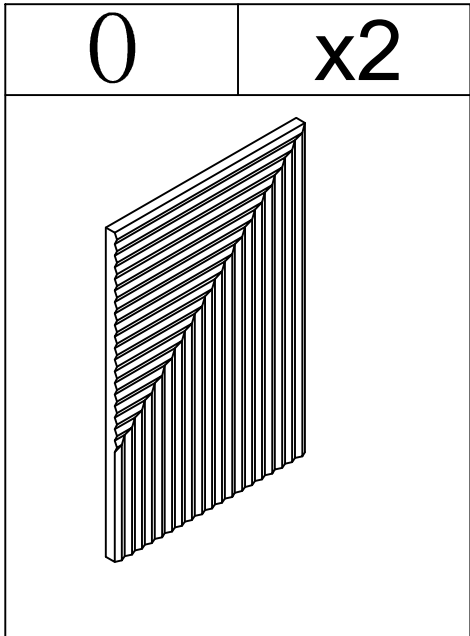
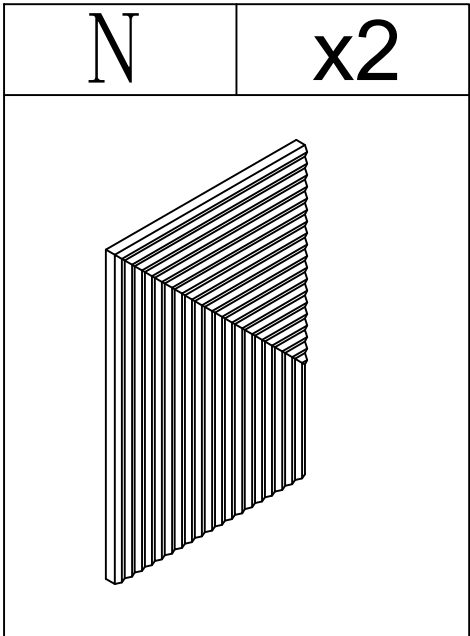
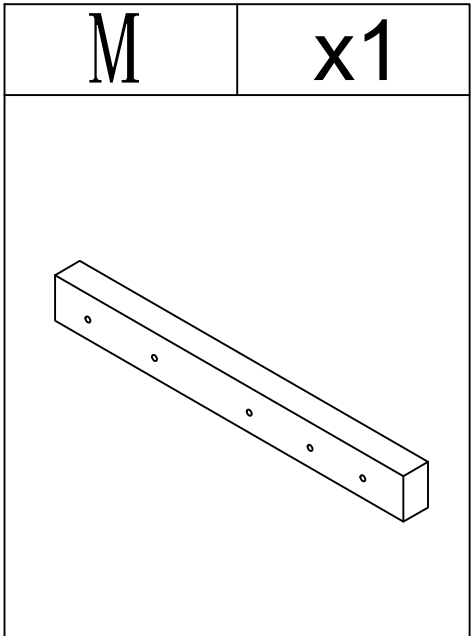
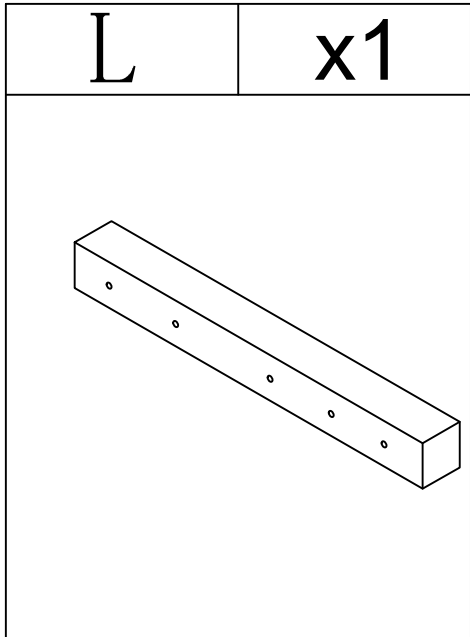
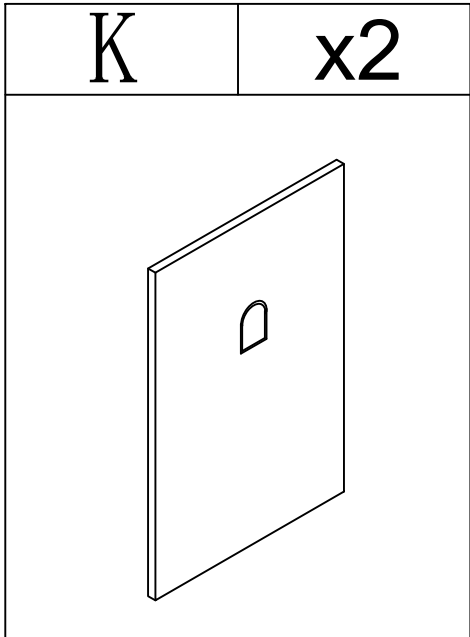
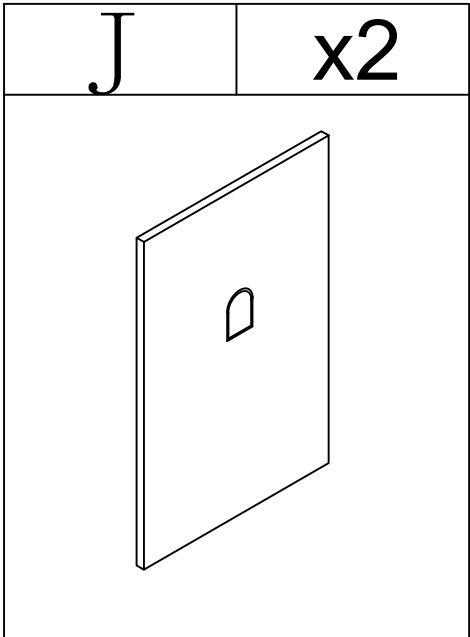
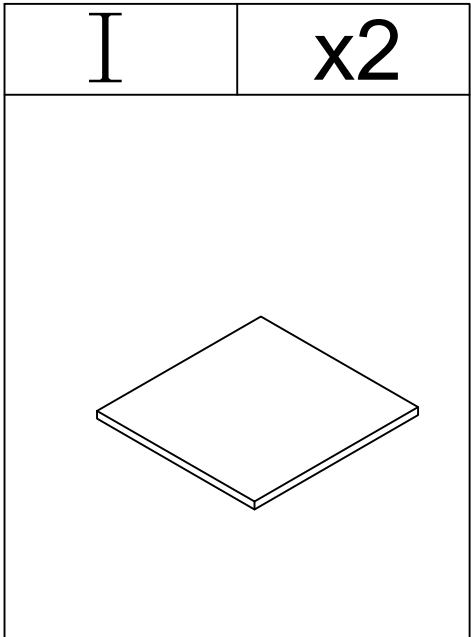
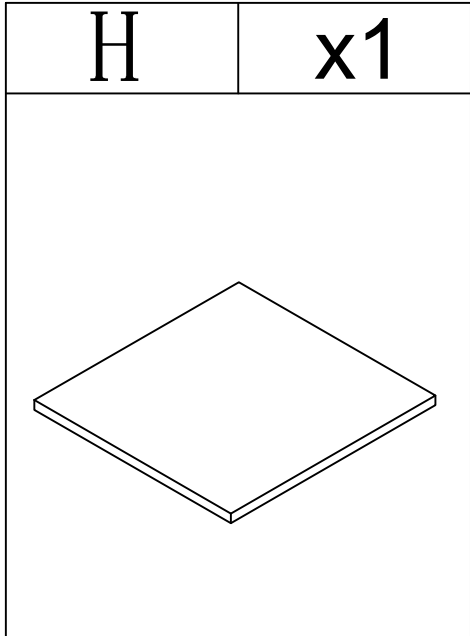
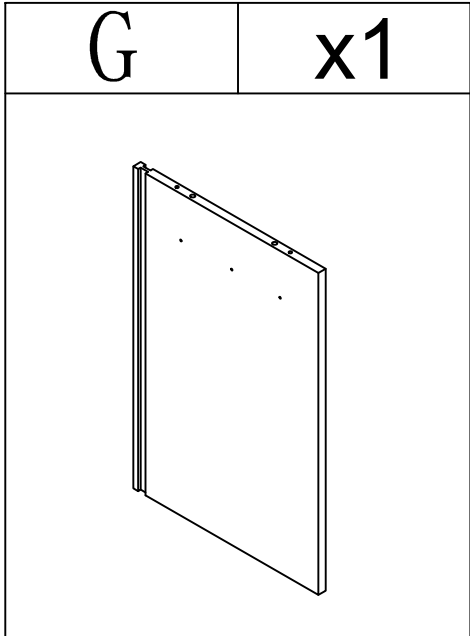
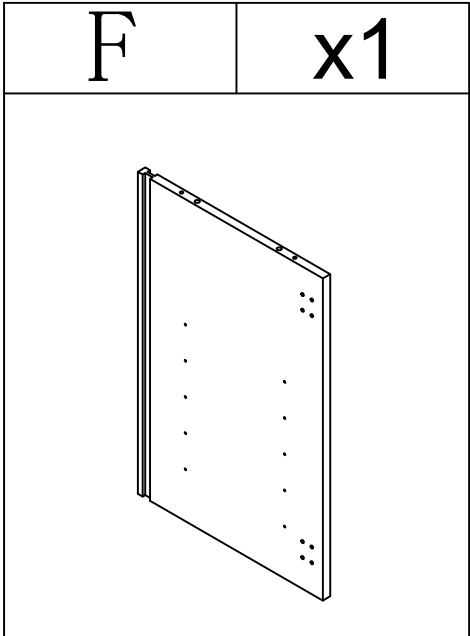
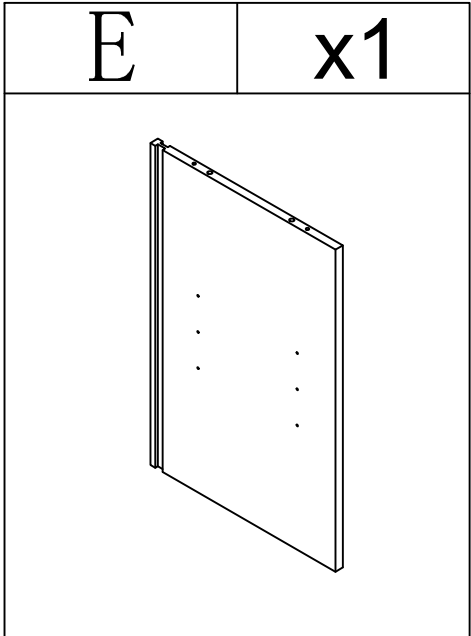
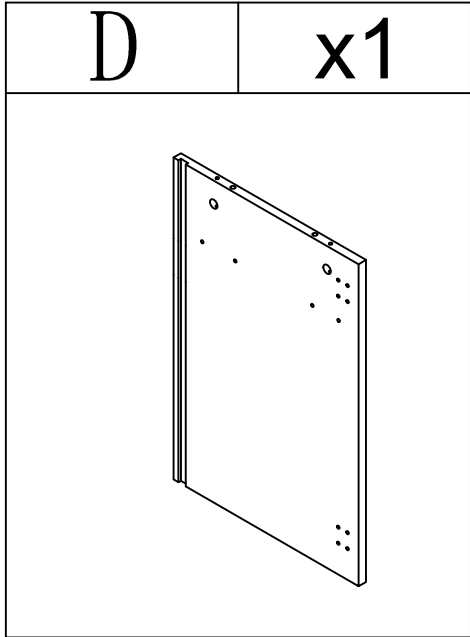
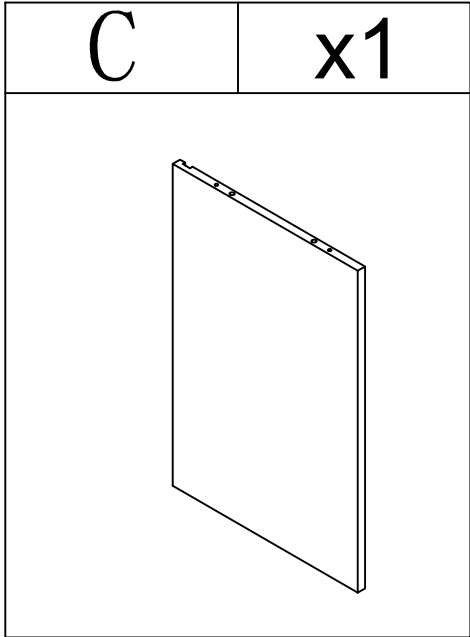
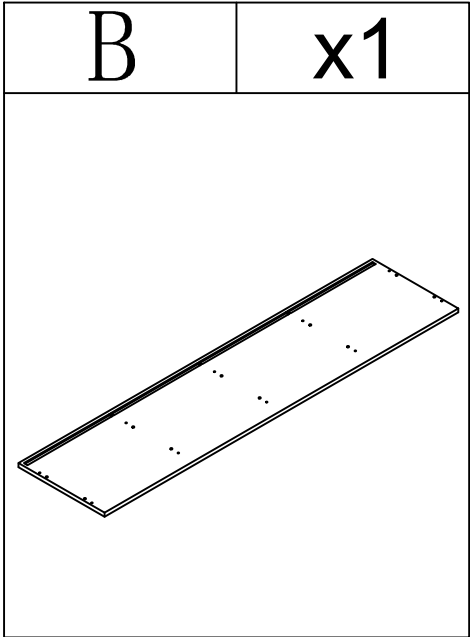
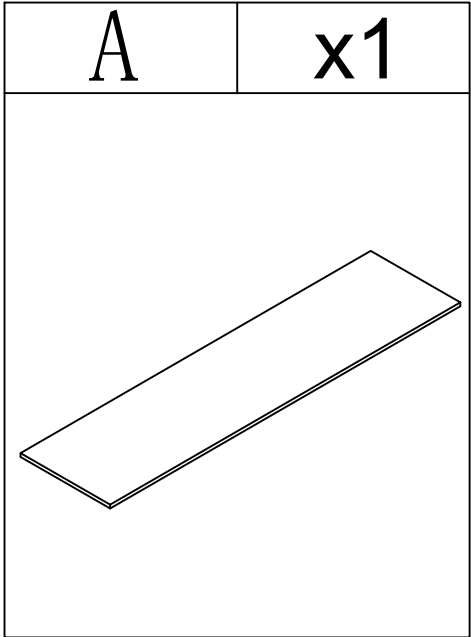
Weight Limitation

150 LBS

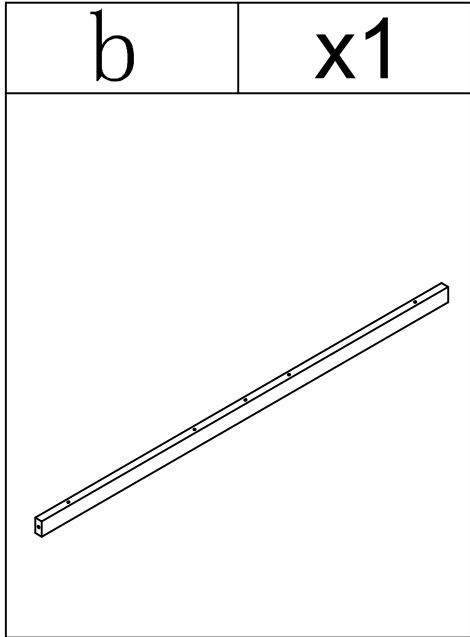
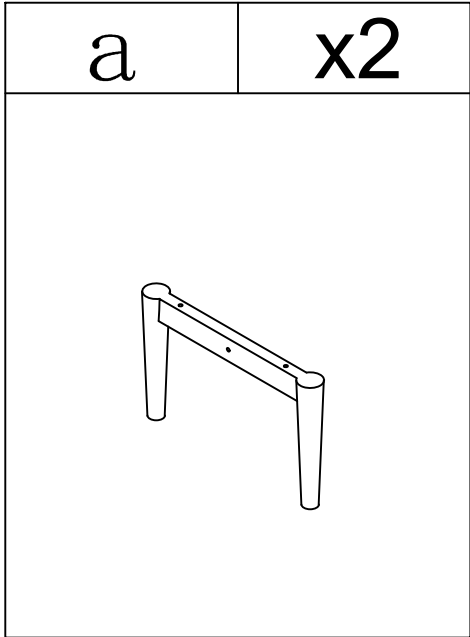
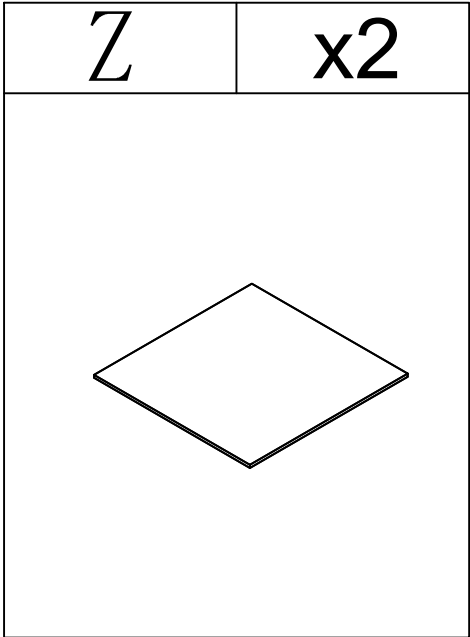
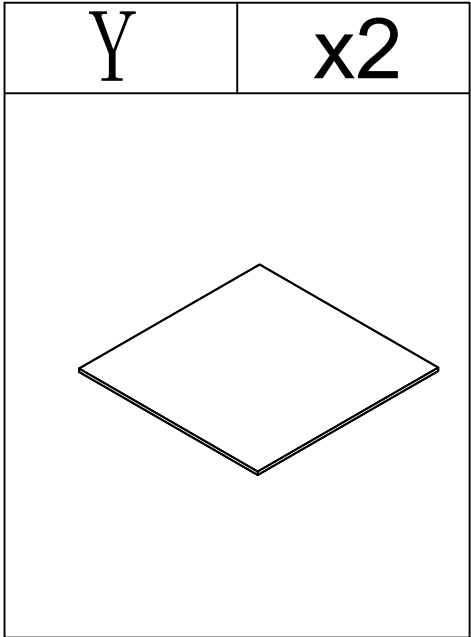
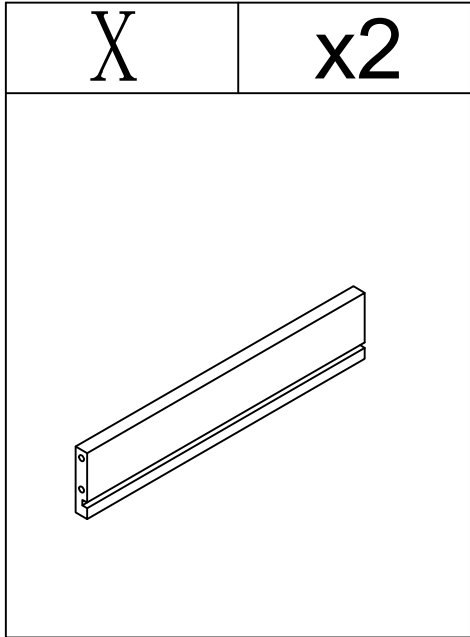
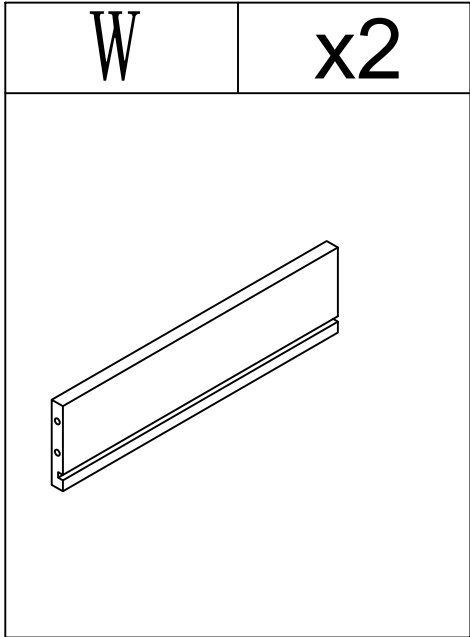
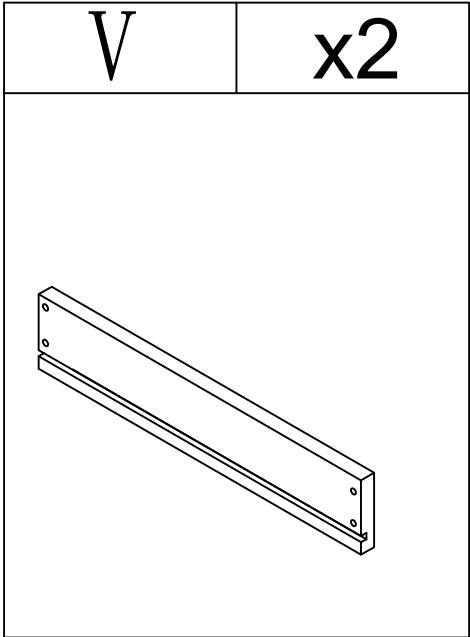
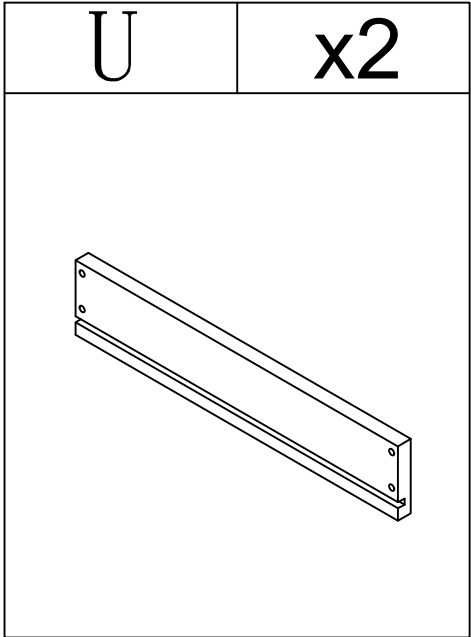
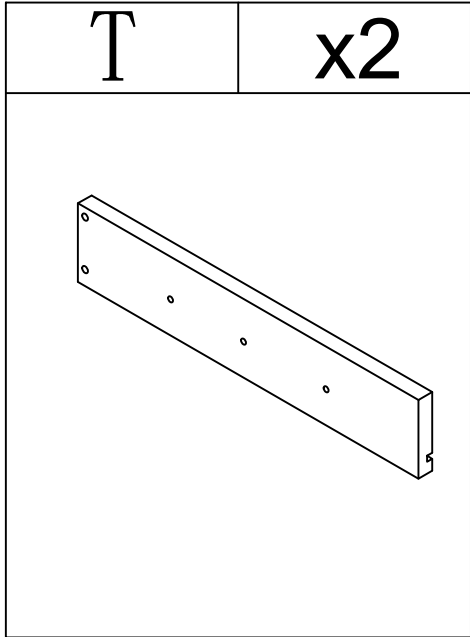
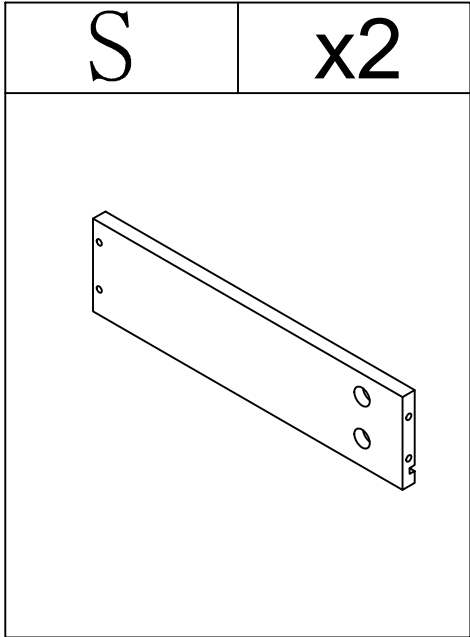
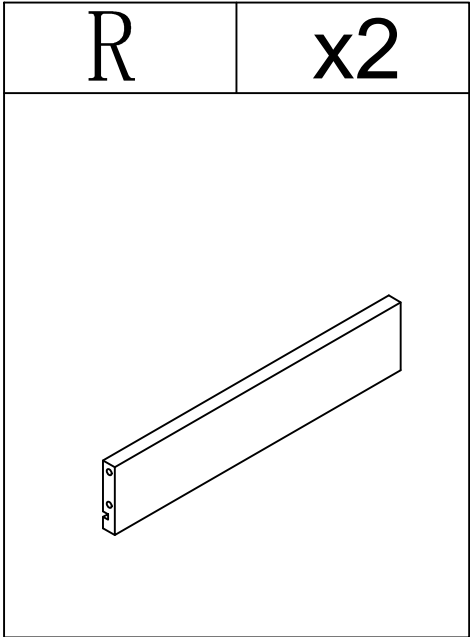
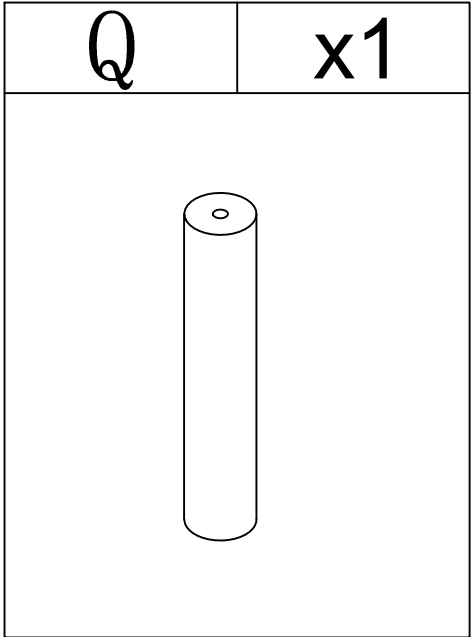
EXPLOSIVE VIEW



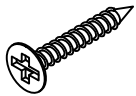
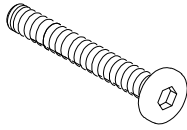
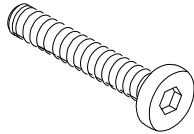
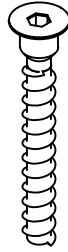
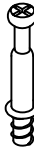


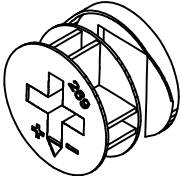
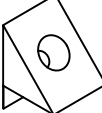

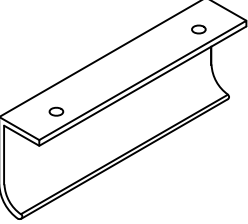

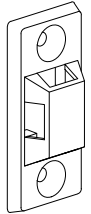
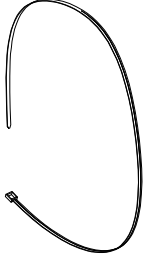
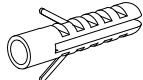
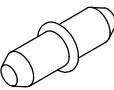
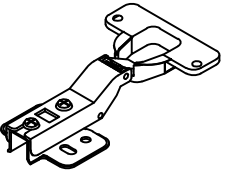
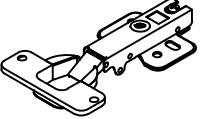
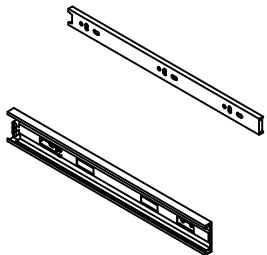
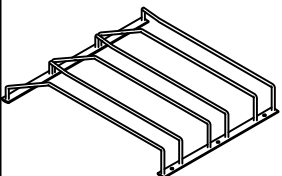

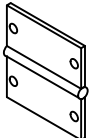
PARTS LIST



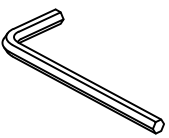
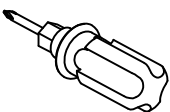
PARTS LIST



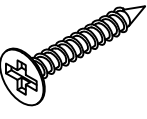
HARDWARE LIST

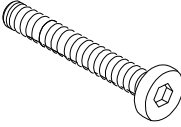
#1	x130	#2	x8	#3	x2	#4	x10	#5	x26	#6	x1
											
Ø3.5*14mm		Ø6*50mm		Ø6*40mm		Ø7*50mm		Ø6/35mm		Ø6*30mm	
#7	x24	#8	x26	#9	x24	#10	x26	#11	x4	#12	x20
											
Ø8*30mm		Ø15*11				Ø20				Ø4*35mm	
#13	x4	#14	x2	#15	x4	#16	x12	#17	x4	#18	x4
											
				Ø8*30MM							
#19	x4	#20	x1	#21	x4	#22	x4				
											
two pairs				Ø6*30mm							

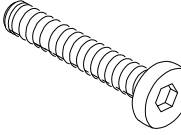
TOOL LIST

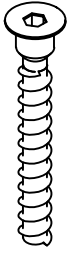
#23	x1	#24	x1
			
M4			


HARDWARE SPARE LIST


#1	x13
	
Ø3.5*14mm	

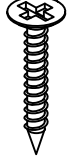
#2	x1
	
Ø6*50mm	


#3	x1
	
Ø6*40mm	

#4	x1
	
Ø7*50mm	

#5	x2
	
Ø6/35MM	

#6	x1
	
Ø6*30mm	

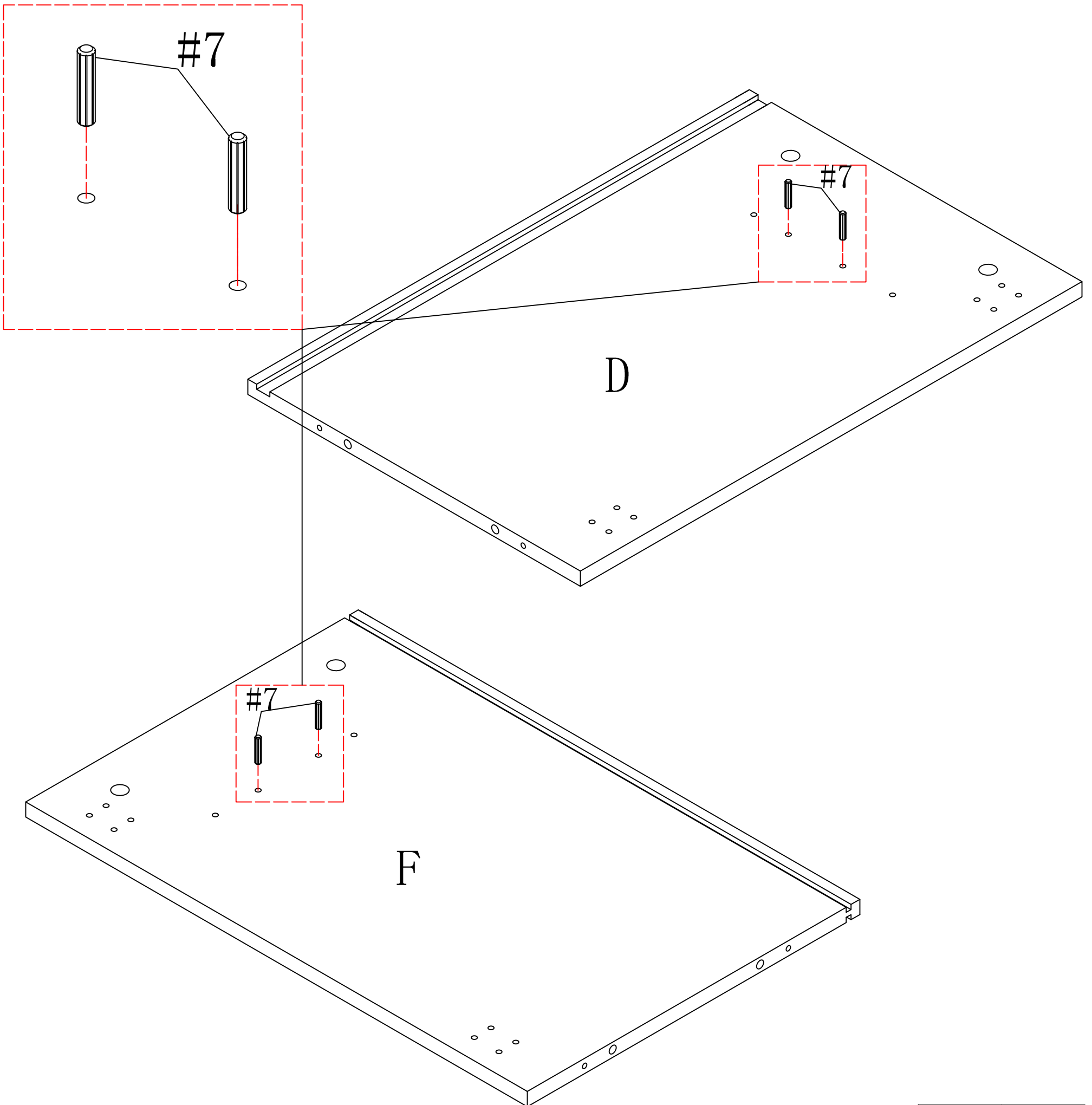
#12	x2
	
Ø4*35mm	


#21	x1
	
Ø6*30mm	

ASSEMBLY INSTRUCTIONS

STEP-1

Align the holes in part D&F, insert wooden dowel #7 by hand.



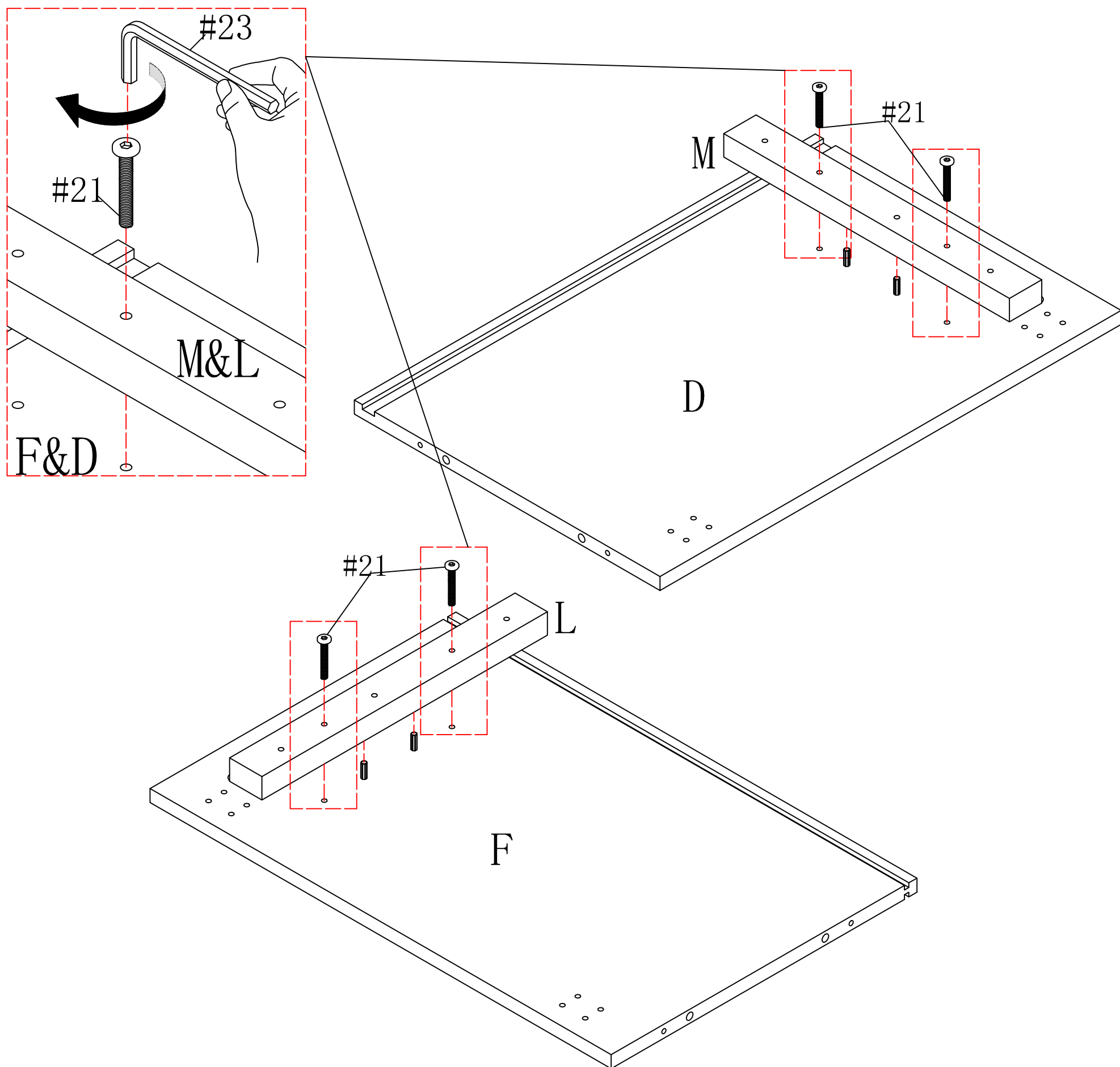
#7	x4
	
Ø8*30mm	


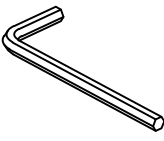
ASSEMBLY INSTRUCTIONS

STEP-2

Use #21 screws to fix the wood M to the corresponding position of the panel (D), and tighten the screws with a #23 Allen key.

Use #21 screws to fix the wood L to the corresponding position of the panel (F), and tighten the screws with a #23 Allen key.

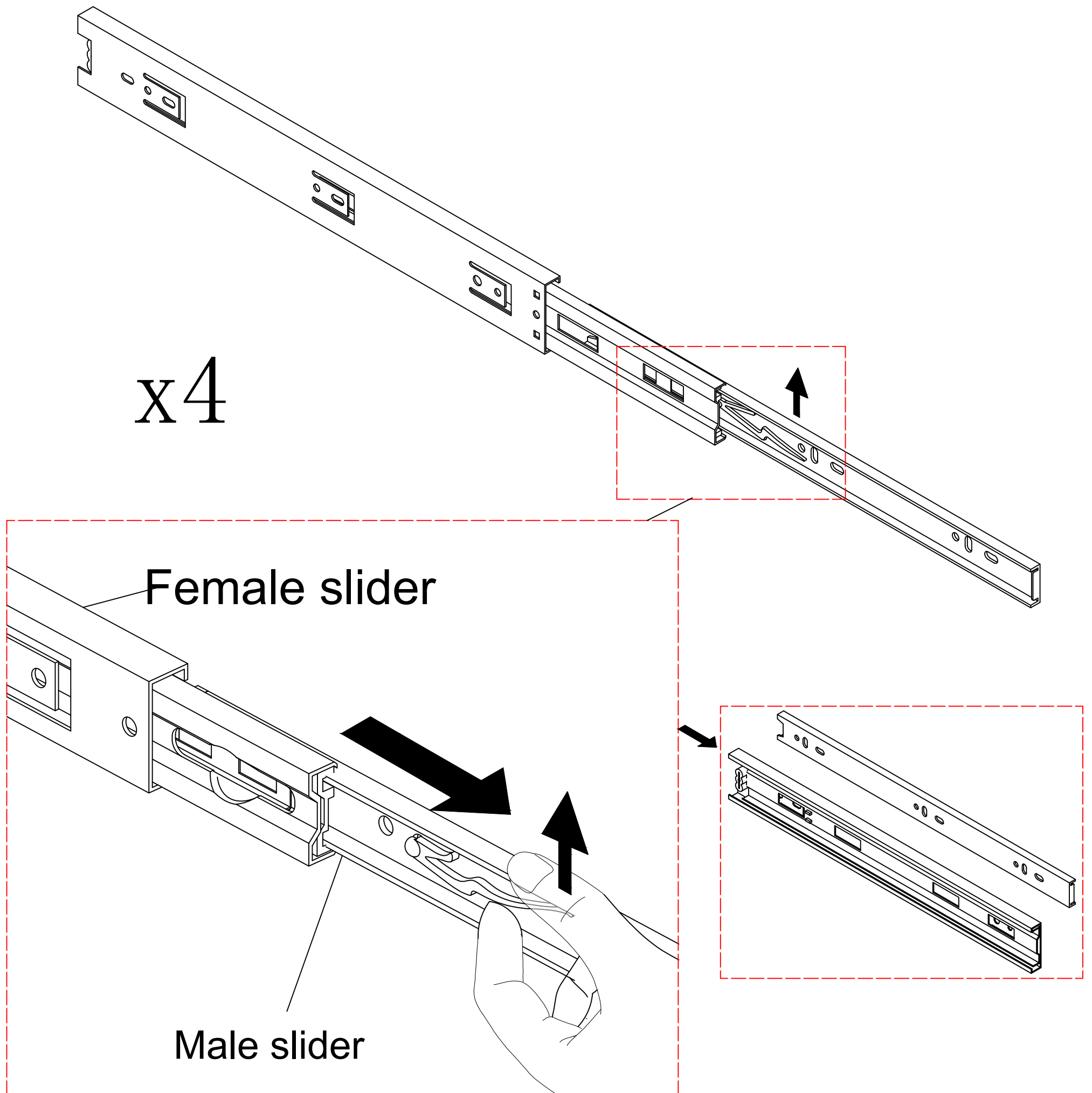


#21	x4	#23	x1
			
Ø6*30mm			

ASSEMBLY INSTRUCTIONS

STEP-3

Lift the black button up with your hand and pull out the movable rail.

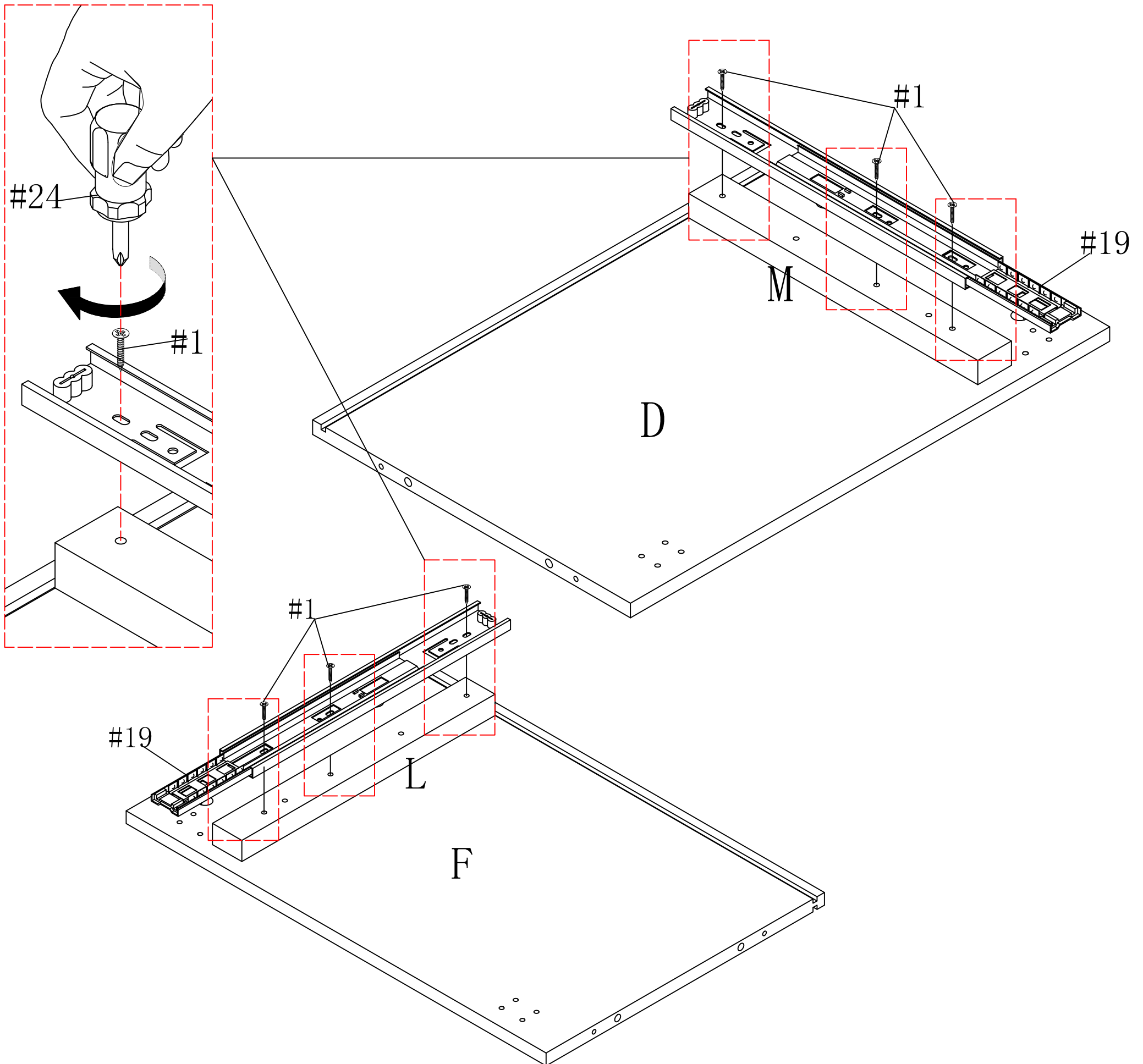


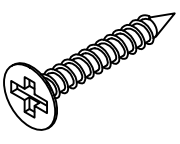
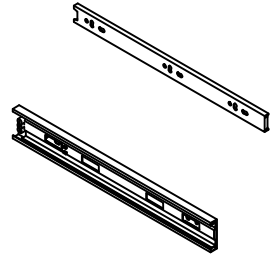
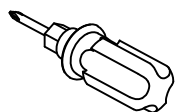
#19	x4
two pairs	

ASSEMBLY INSTRUCTIONS

STEP-4

Use #1 screws to fix the slide rail #19 to the corresponding position of the part (M&L), and tighten the screws with a screwdriver#24.

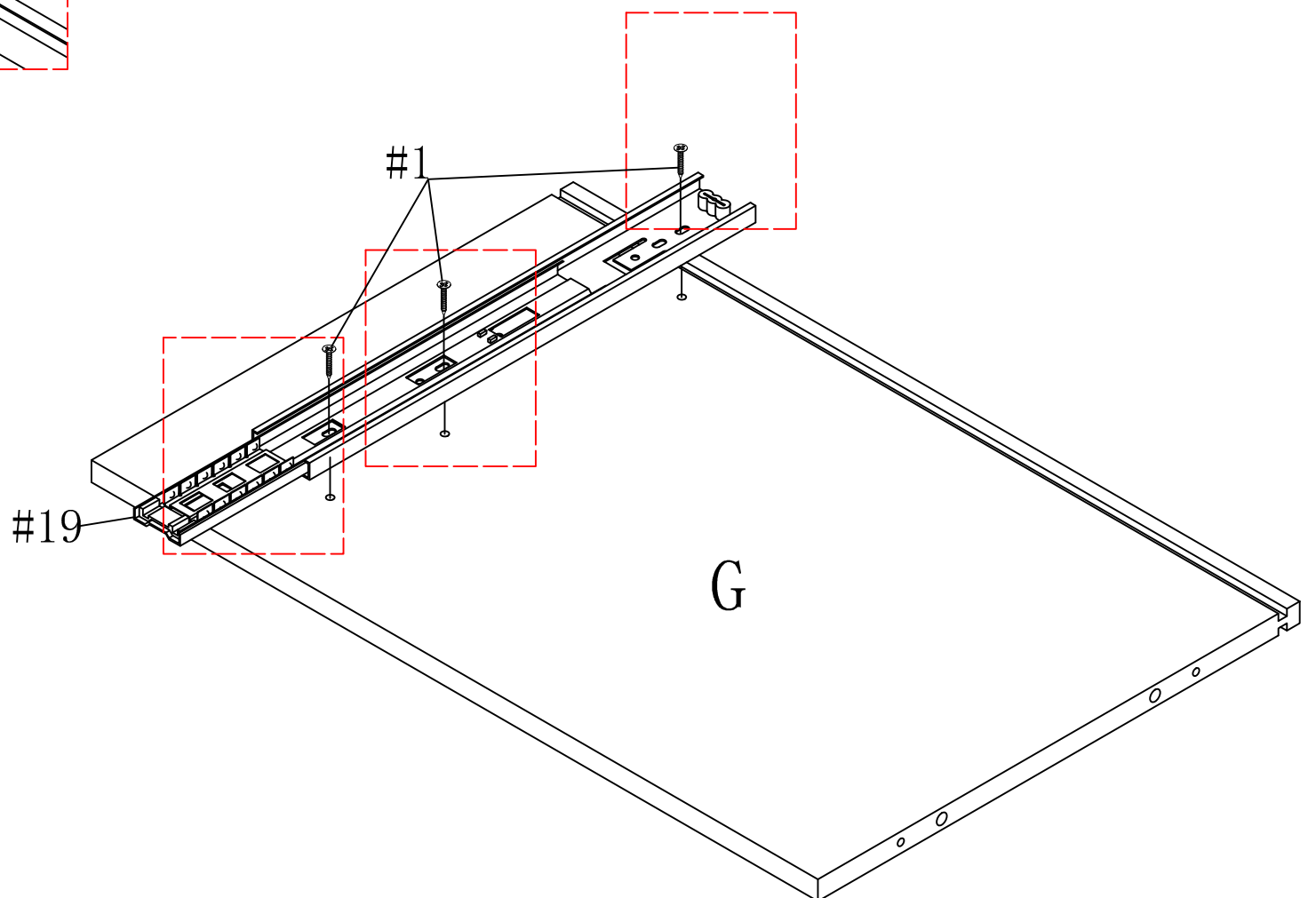
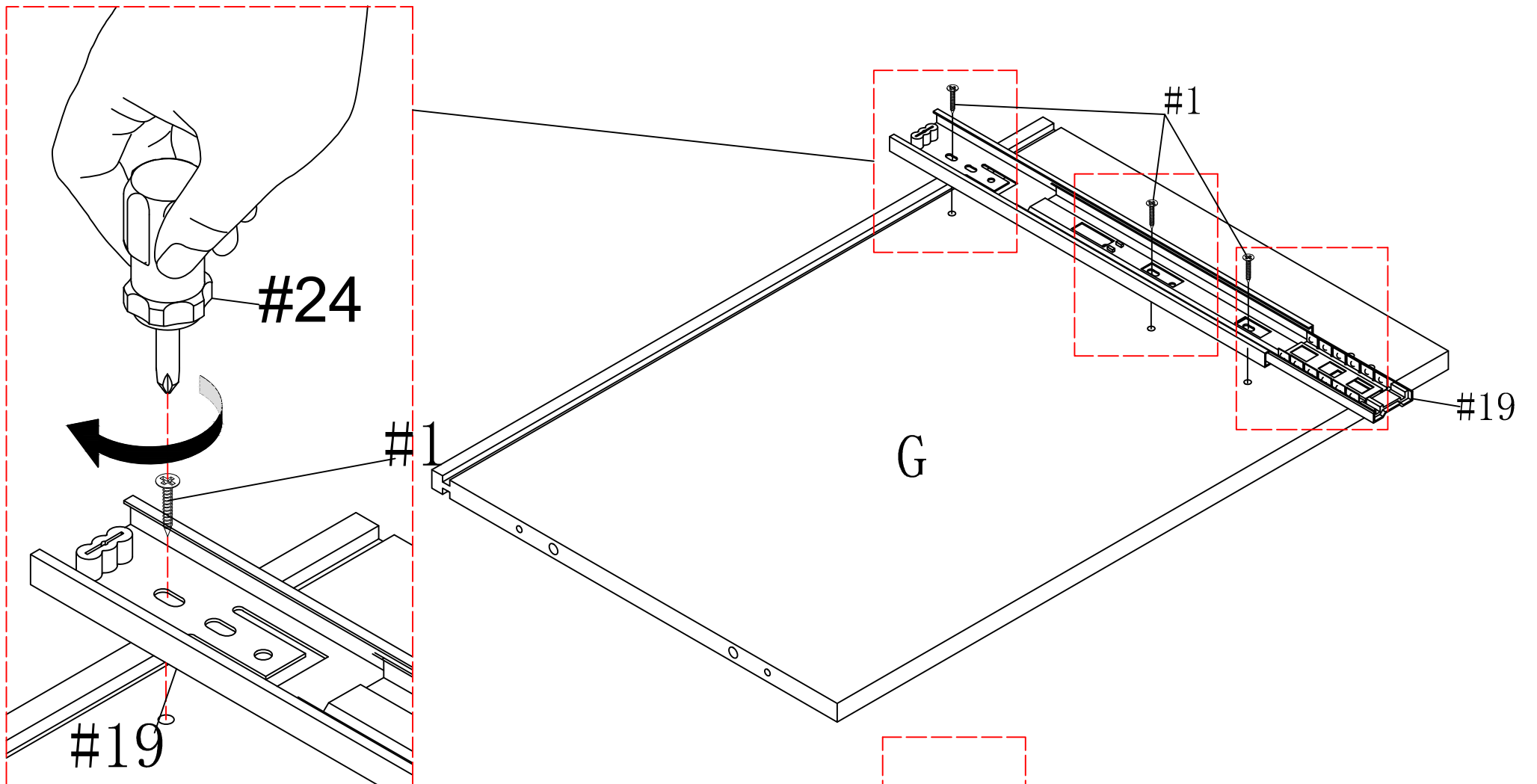


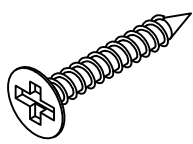
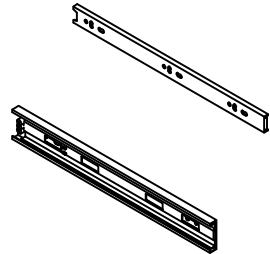
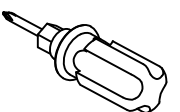
#1	x6	#19	x2	#24	x1
					
Ø3.5*14mm					

ASSEMBLY INSTRUCTIONS

STEP-5

Use #1 screws to fix the slide rail #19 to the corresponding position of the part (G), and tighten the screws with a screwdriver #24.

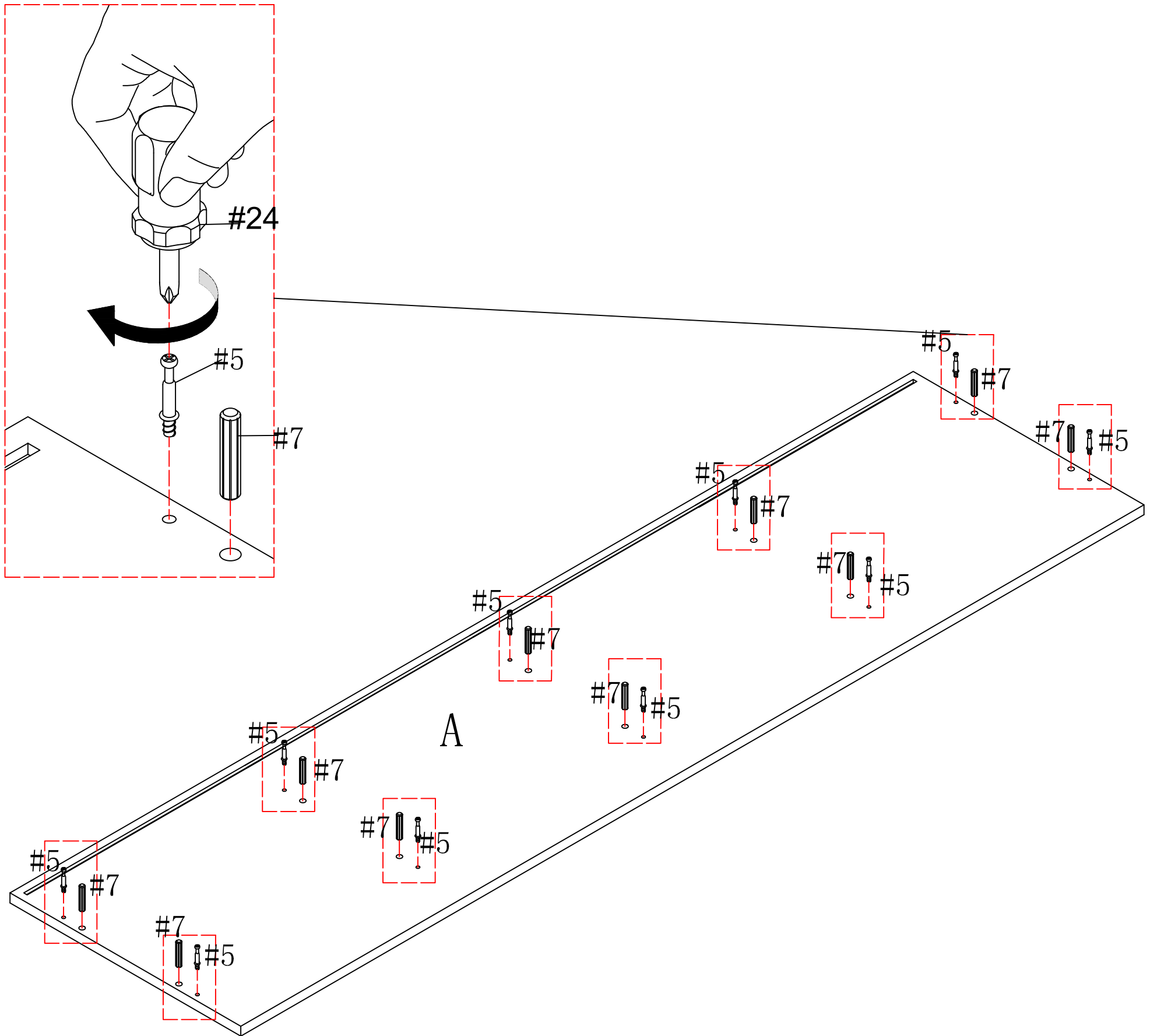



#1	x6	#19	x2	#24	x1
					
Ø3.5*14mm					


ASSEMBLY INSTRUCTIONS

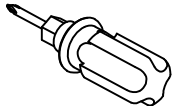
STEP-6

Prepare for part A. Align the holes in part A, insert wooden dowel #7 by hand, tighten with screwdriver #24 tighten #5.



#7	x10
	
Ø8*30mm	

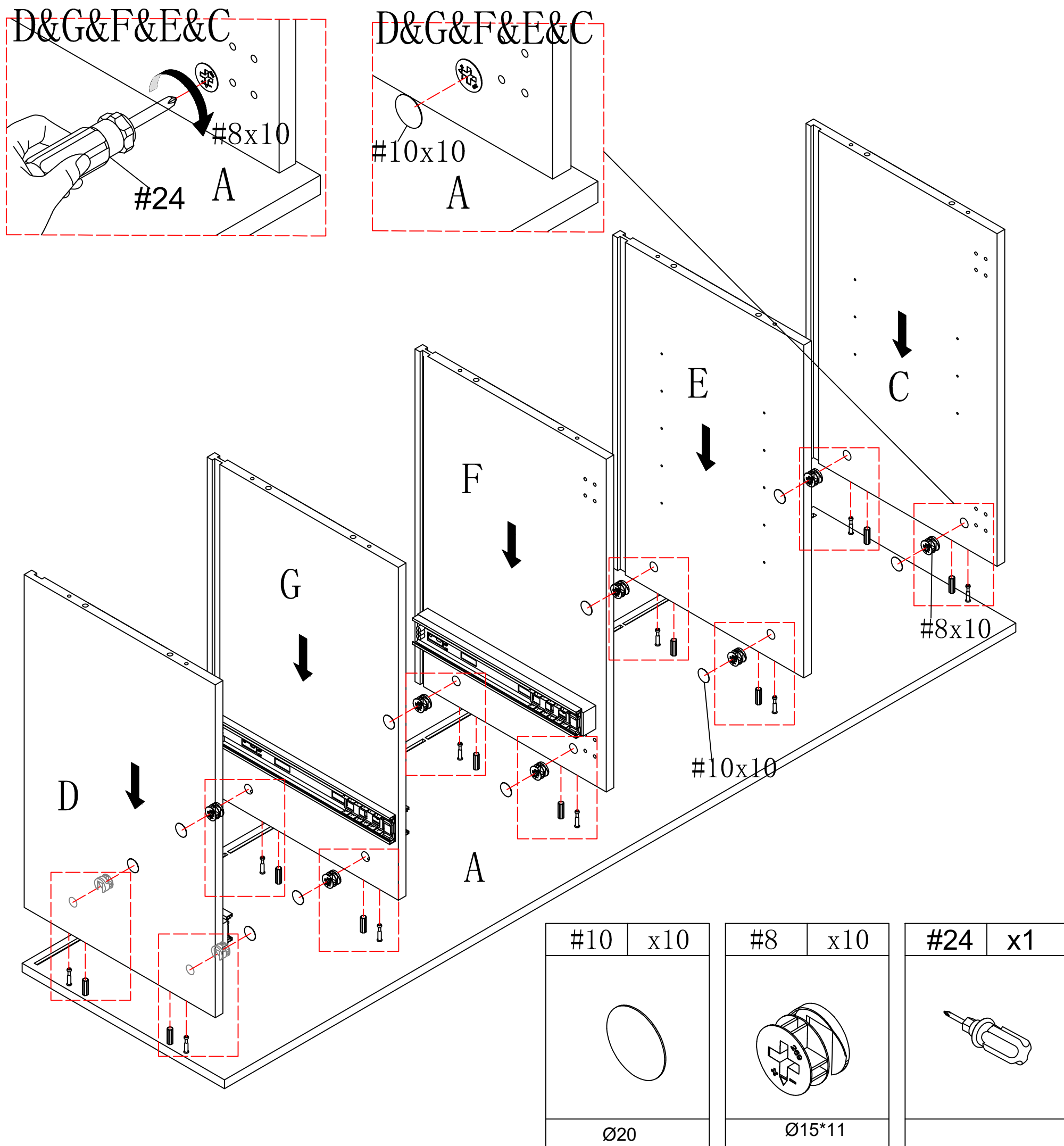
#5	x10
	
Ø6/35mm	

#24	x1
	

ASSEMBLY INSTRUCTIONS

STEP-7

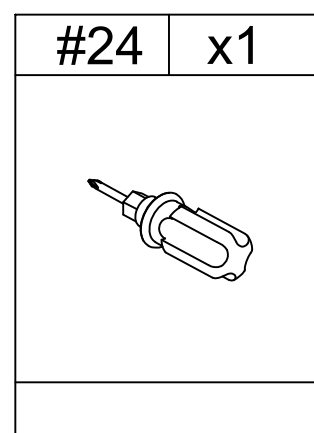
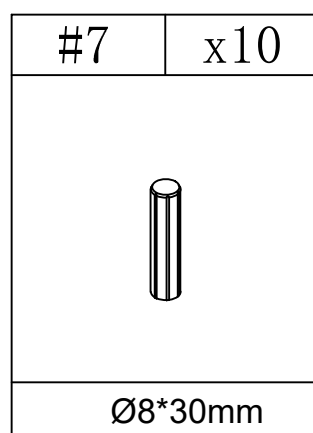
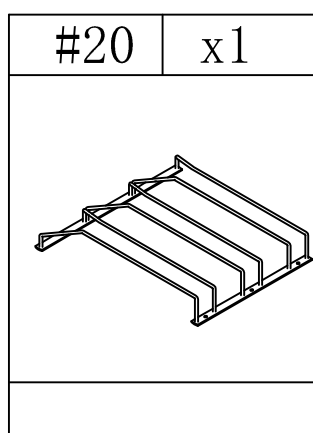
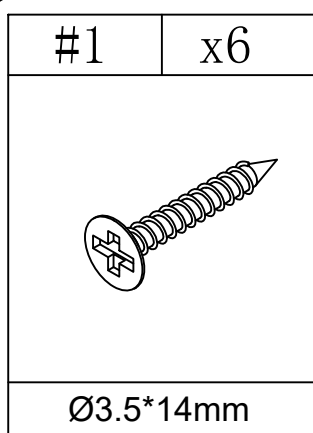
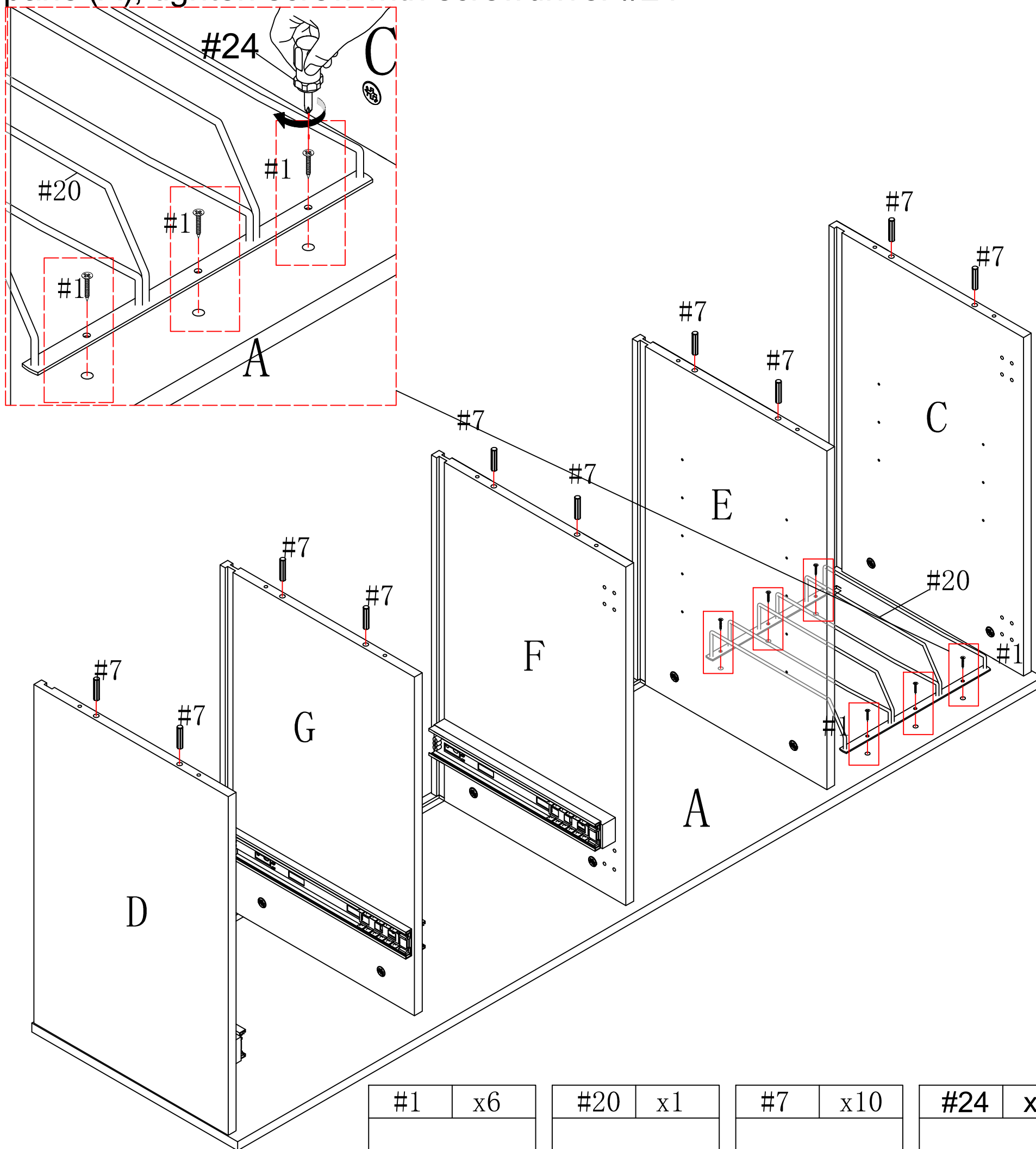
Connect the part A with part C&D&E&F&G. align the hole in the part C&D&E&F&G. ,insert the bolt #5 and wooden dowel #7 in part A into part C&D&E&F&G . insert cam bolt #8 into the corresponding hole of side panel C&D&E&F&G,and tighten the nuts #8 with a screwdriver #24. After installation, cover the screw holes with #10. Make sure the groove is in same side as picture show.



ASSEMBLY INSTRUCTIONS

STEP-8

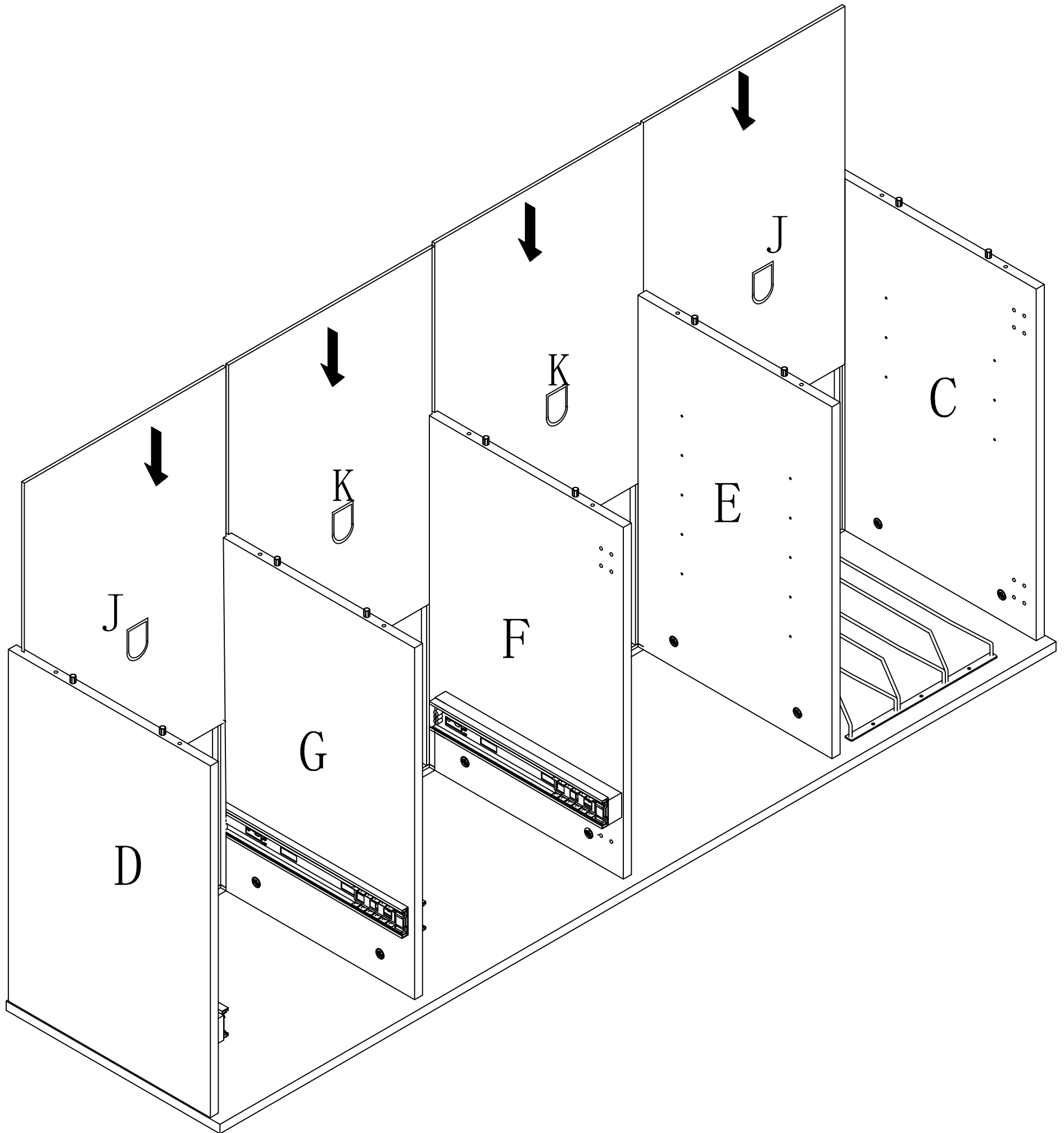
1. Manually insert #7 wooden dowels (C&D&E&F&G), Use screw #1 to attach wine glass holder #20 to the corresponding hole of panel(A), tighten screw with screwdriver #24.



ASSEMBLY INSTRUCTIONS

STEP-9

1. slide in the part J into the groove in part D,G and C&E ,slide in the part K into the groove in part G&F and F&E. make sure they are also in groove in part A.

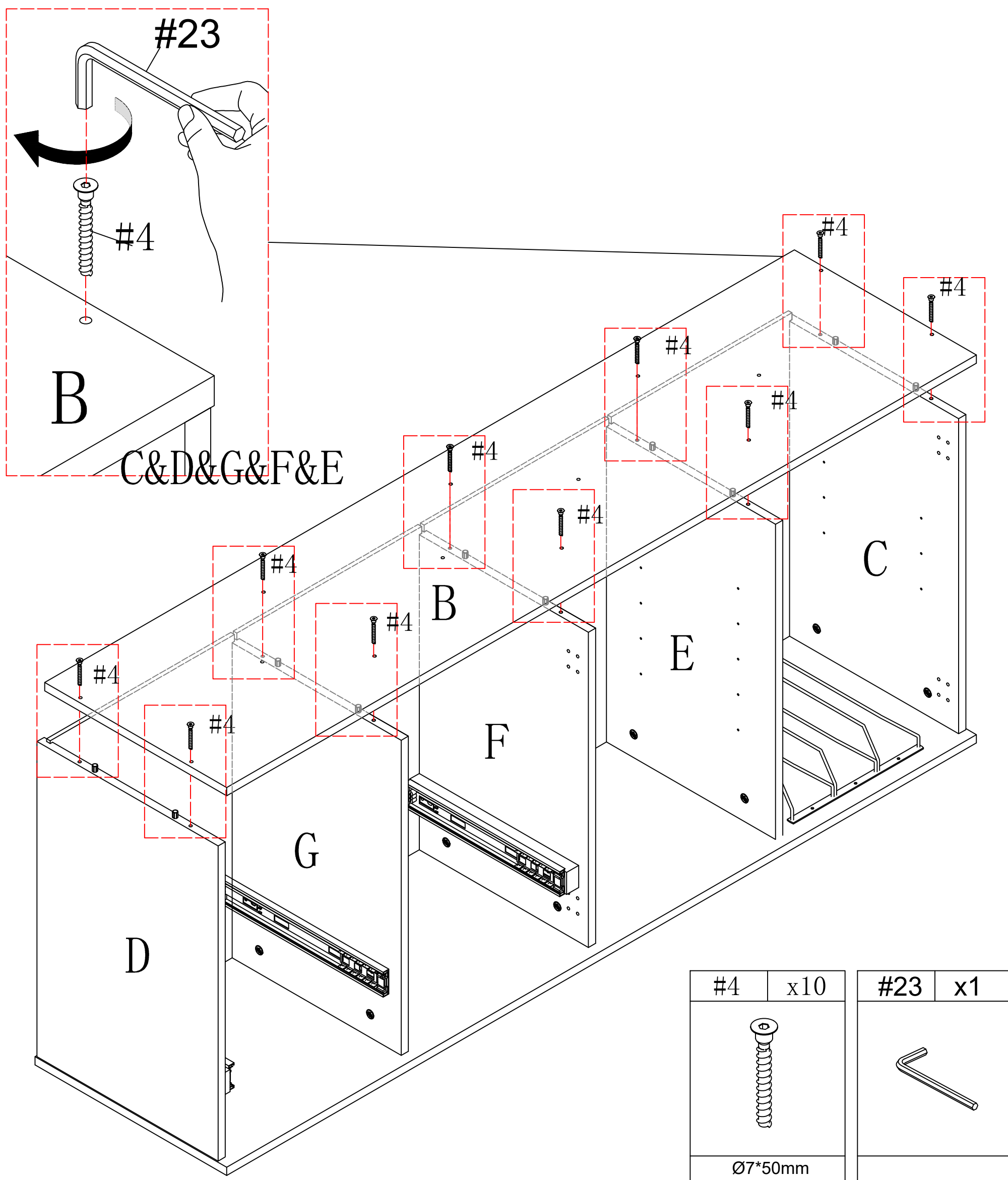


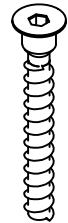
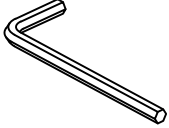
ASSEMBLY INSTRUCTIONS

STEP-10

Connect the part B the pre-assembled unit in step 8.

Then align the holes in part B, Insert screw #4 and push it down so that it connects to parts C&D&E&F&G. Next, and tighten the screw #4 with an Allen key #23.

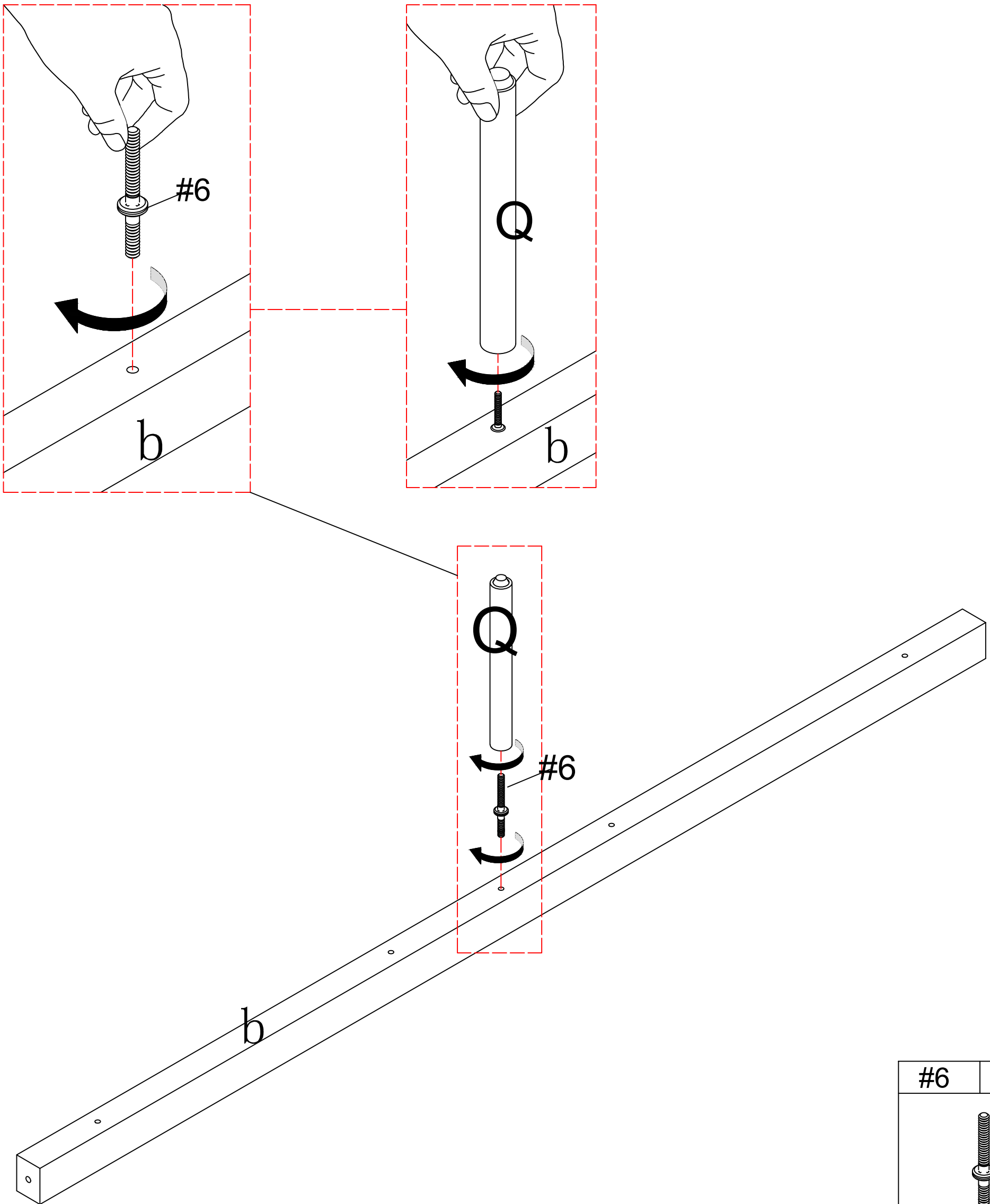



#4	x10	#23	x1
			
Ø7*50mm			

ASSEMBLY INSTRUCTIONS

STEP-11

1. Align the holes of part b, insert the bolt #6, and bolt the middle foot into the bolt #Q .

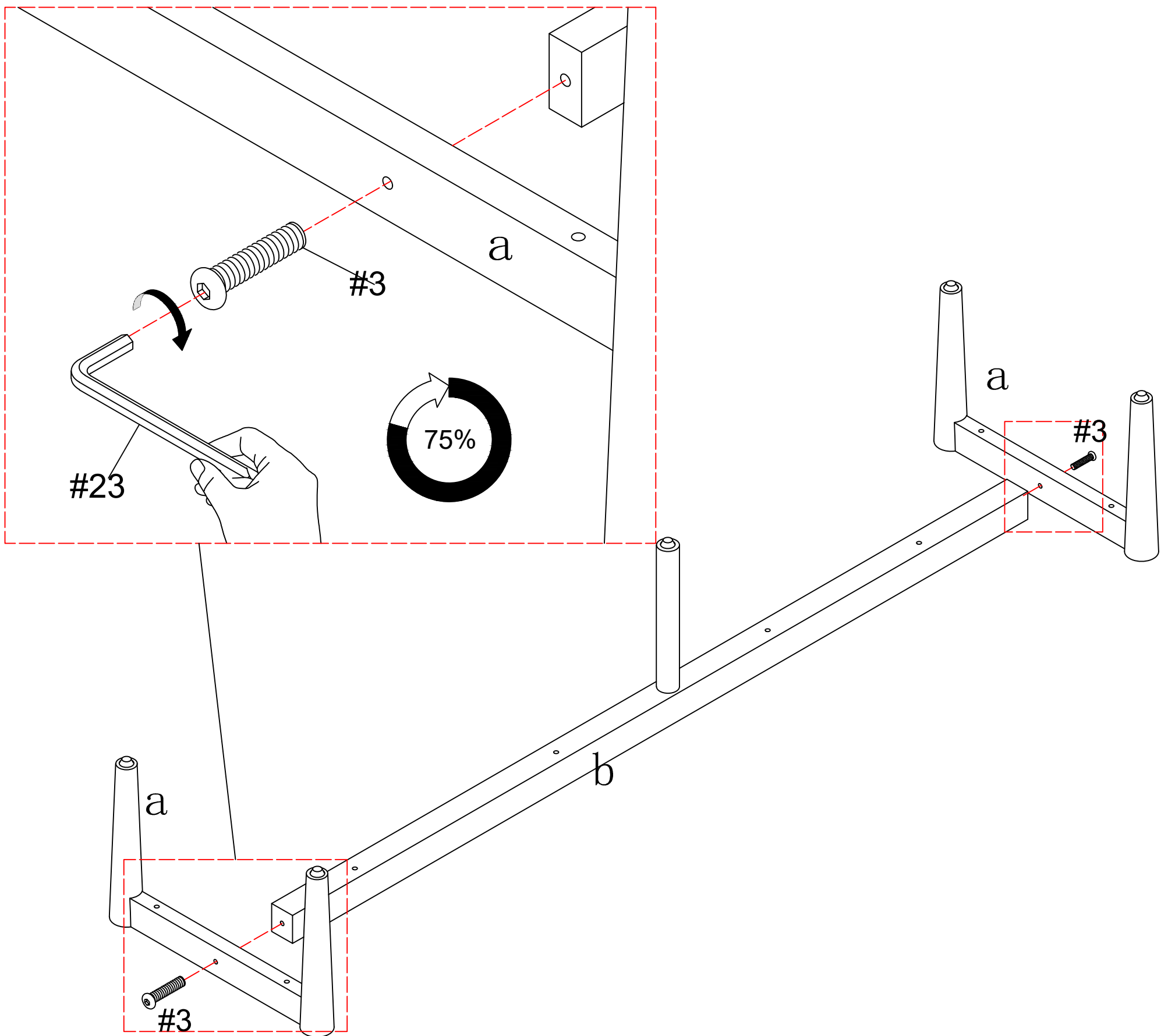


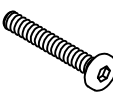
#6	x1
	
Ø6*30mm	

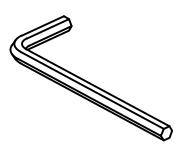
ASSEMBLY INSTRUCTIONS

STEP-12

1. Prepare the leg racks. Align the holes of the a part with the holes of the b part, insert the screw #3, and tighten the screw #3 with the allen key #23.



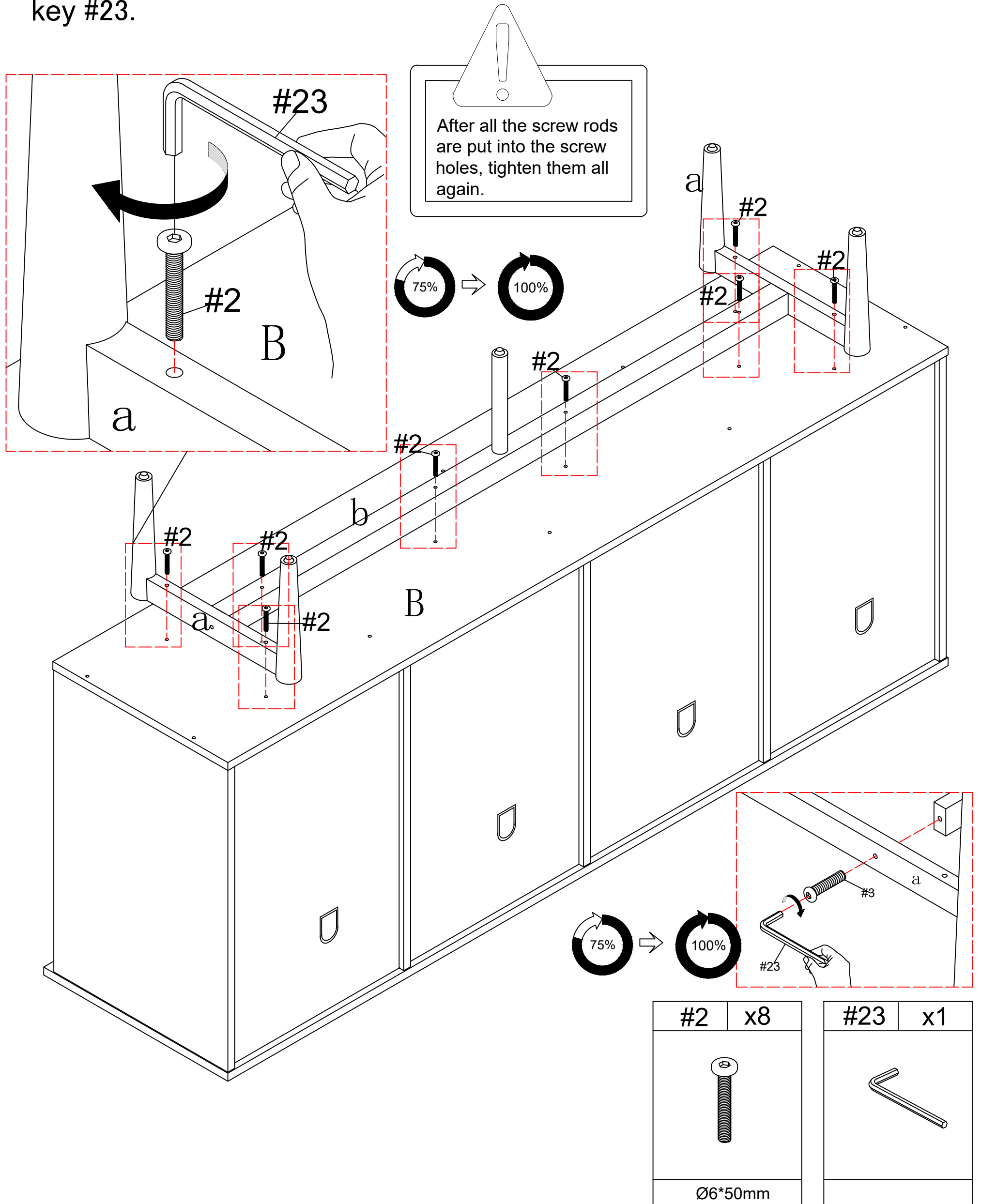
#3	x2
	
Ø6*40mm	

#23	x1
	

ASSEMBLY INSTRUCTIONS

STEP-13

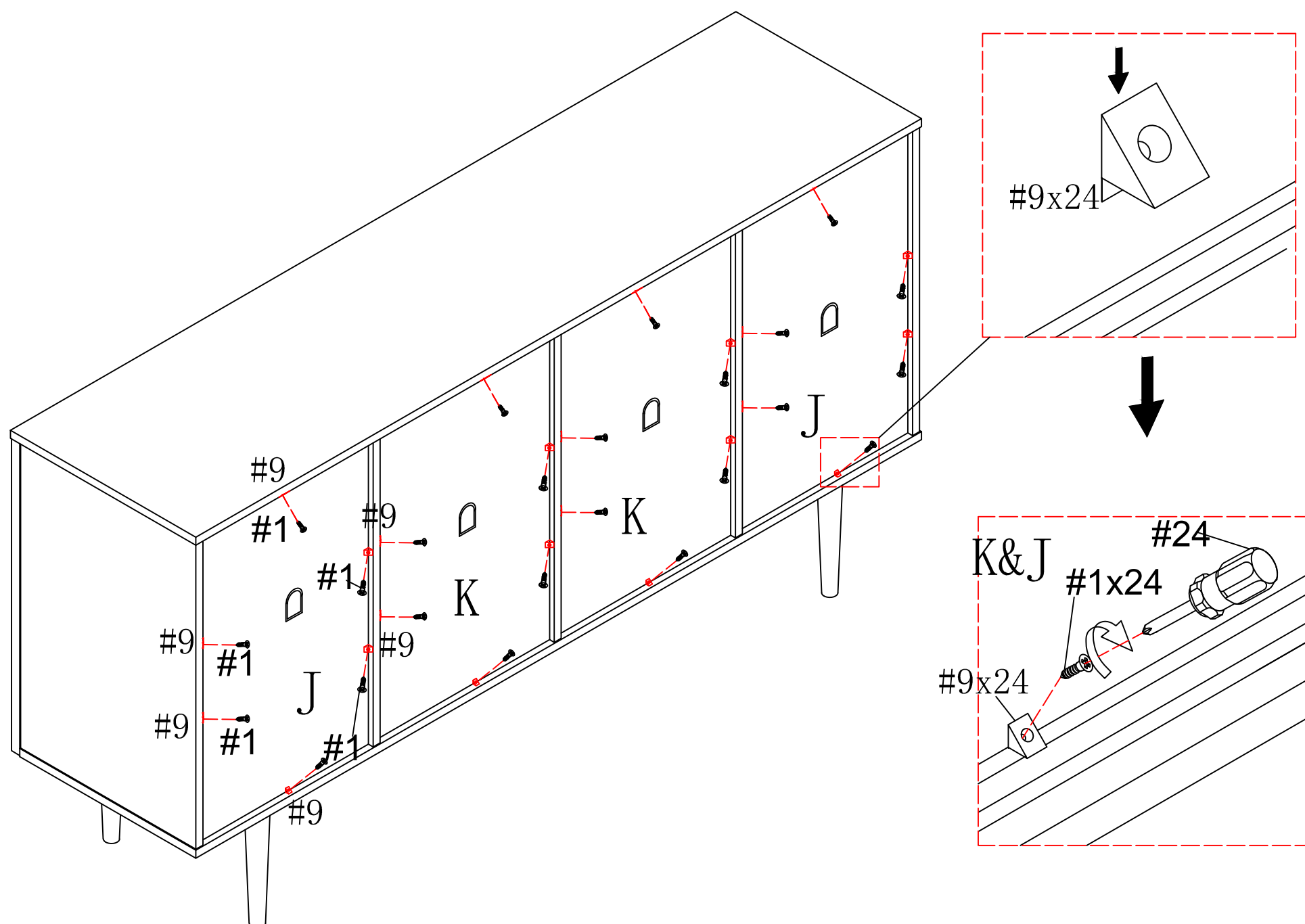
1. connect the leg frame to the cabinet. Attach the leg frame to the pre-assembled unit in step 9 with a screw #2 and tighten #2 with a allen key #23.

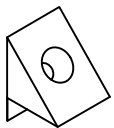


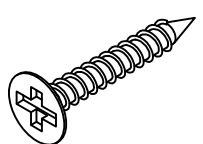
ASSEMBLY INSTRUCTIONS

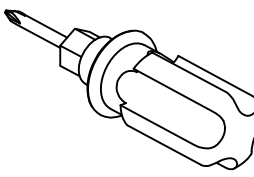
STEP-14

1. Insert hardware #9 into part K&J as shown, screw in screw #1 using screwdriver #24 and tighten fully.



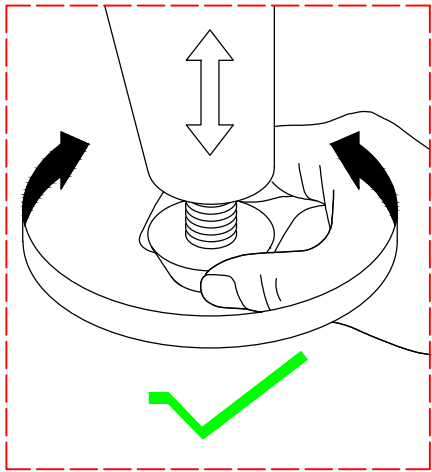
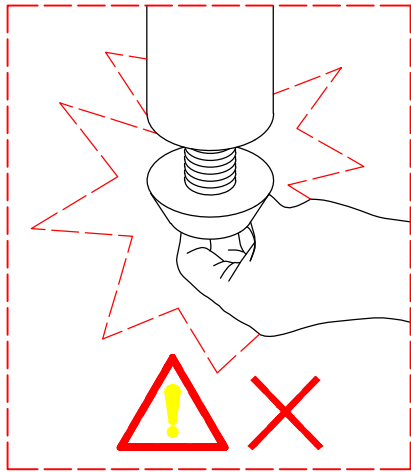
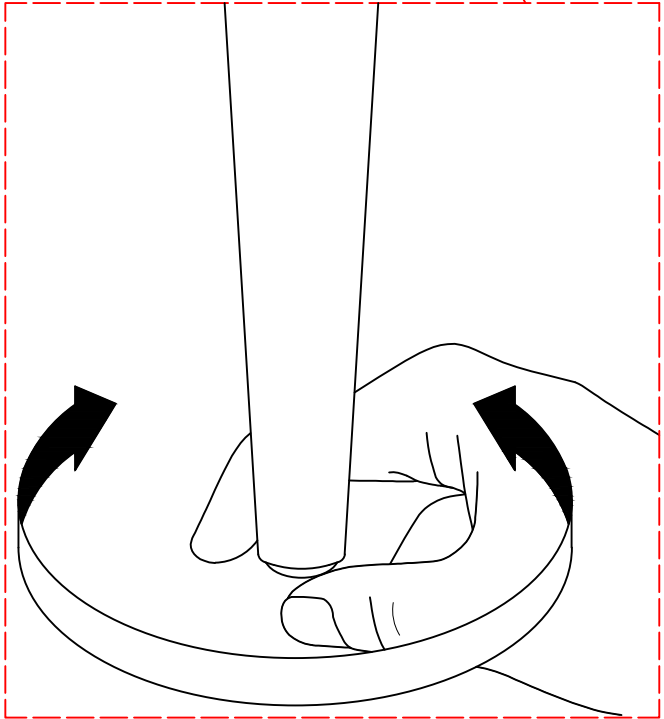
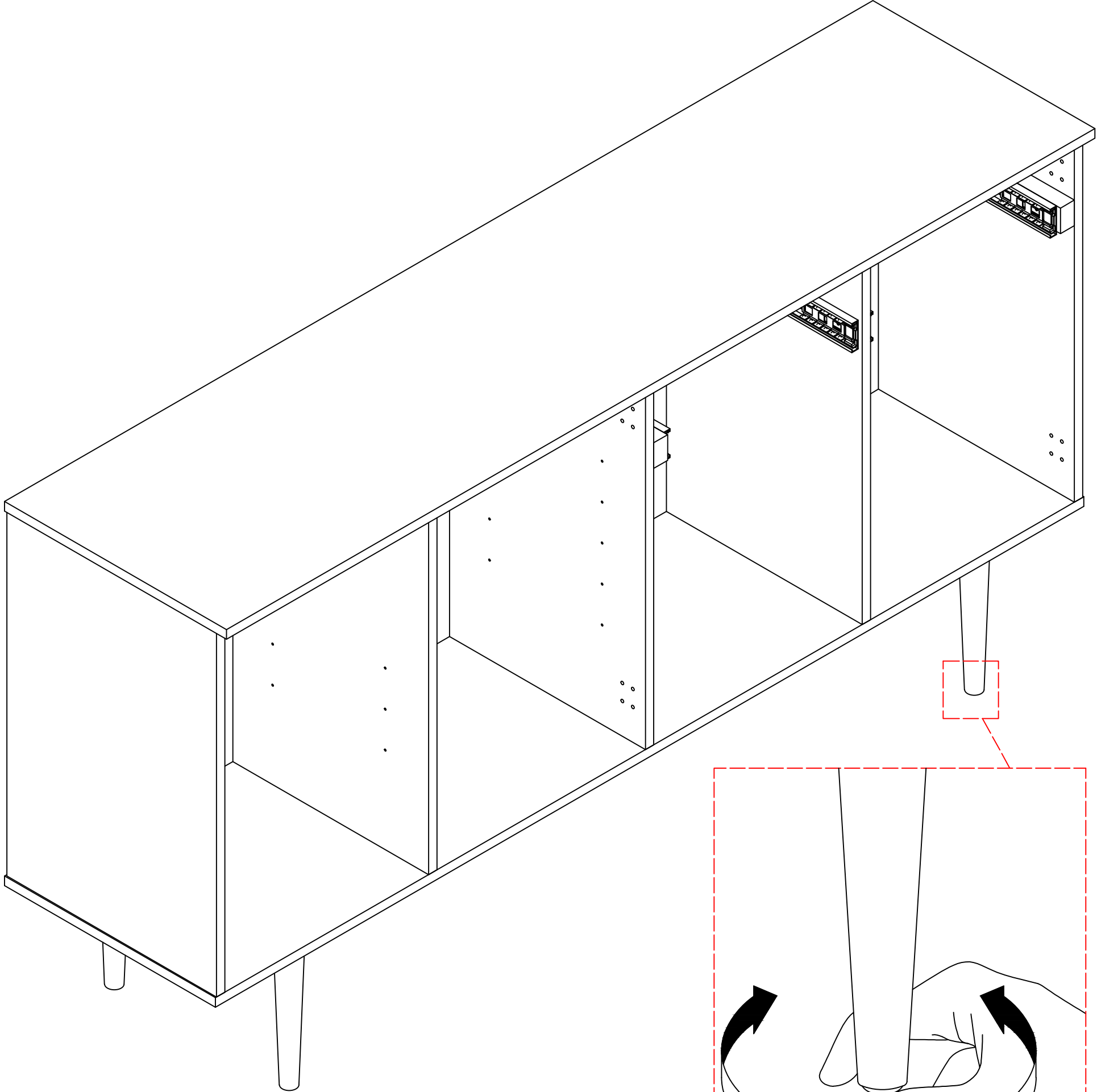
#9	x24
	

#1	x24
	
Ø3.5*14mm	

#24	x1
	

ASSEMBLY INSTRUCTIONS

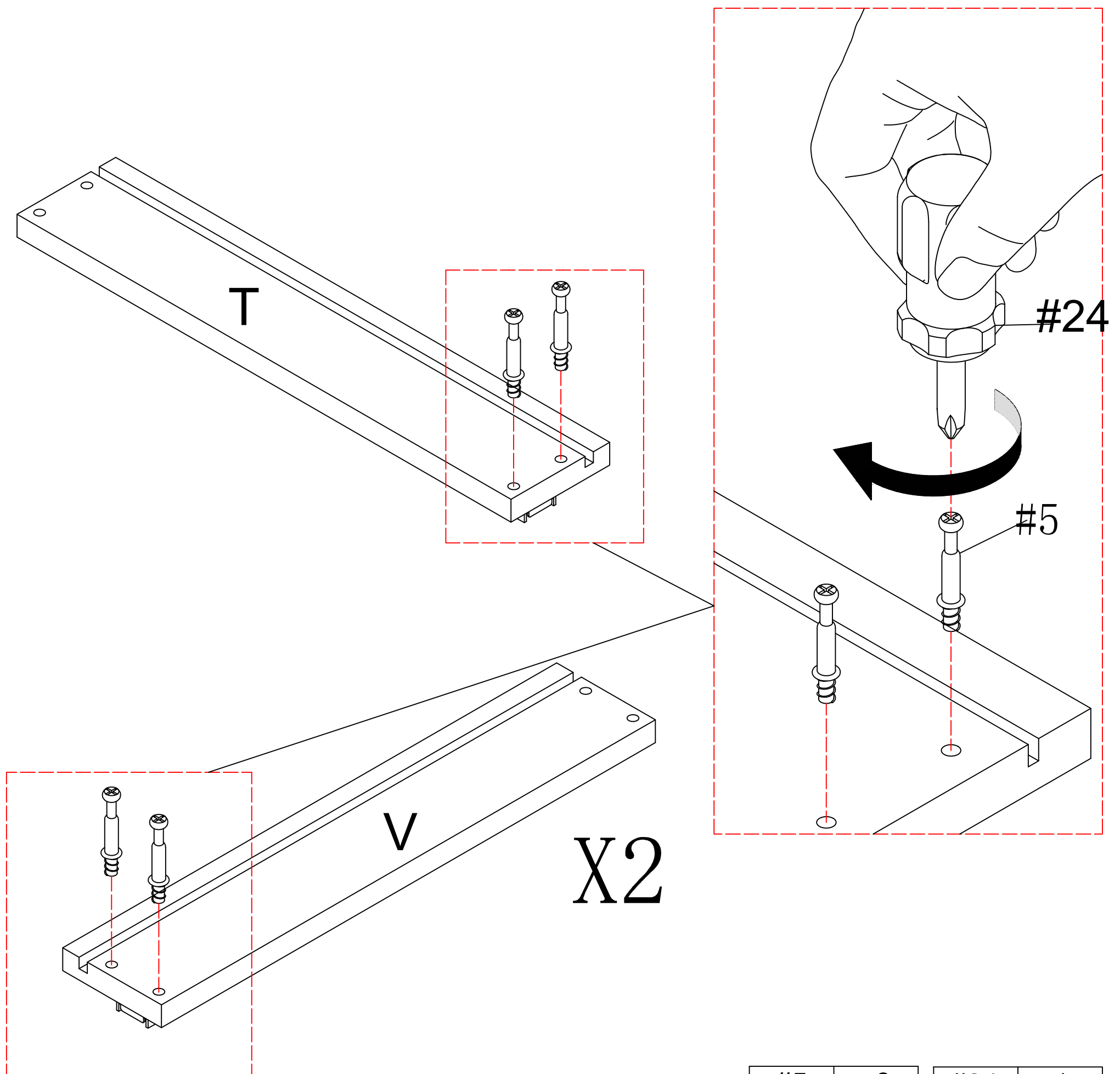
STEP-15


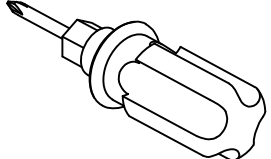


ASSEMBLY INSTRUCTIONS

STEP-16

Prepare for part T&V. Align the holes in part A, i tighten with screwdriver #24 tighten #5.

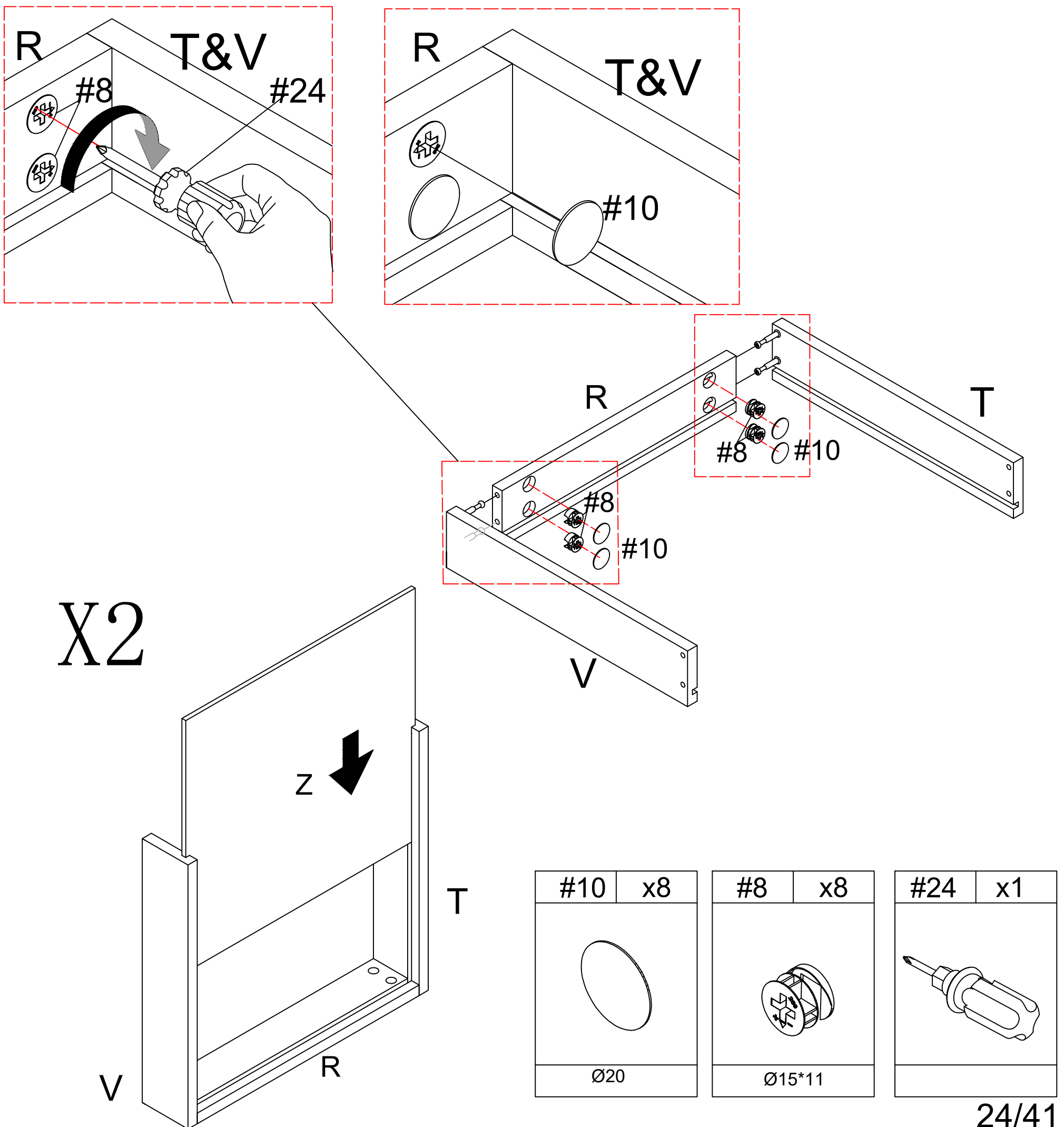


#5	x8	#24	x1
			
Ø6/35mm			

ASSEMBLY INSTRUCTIONS

STEP-17

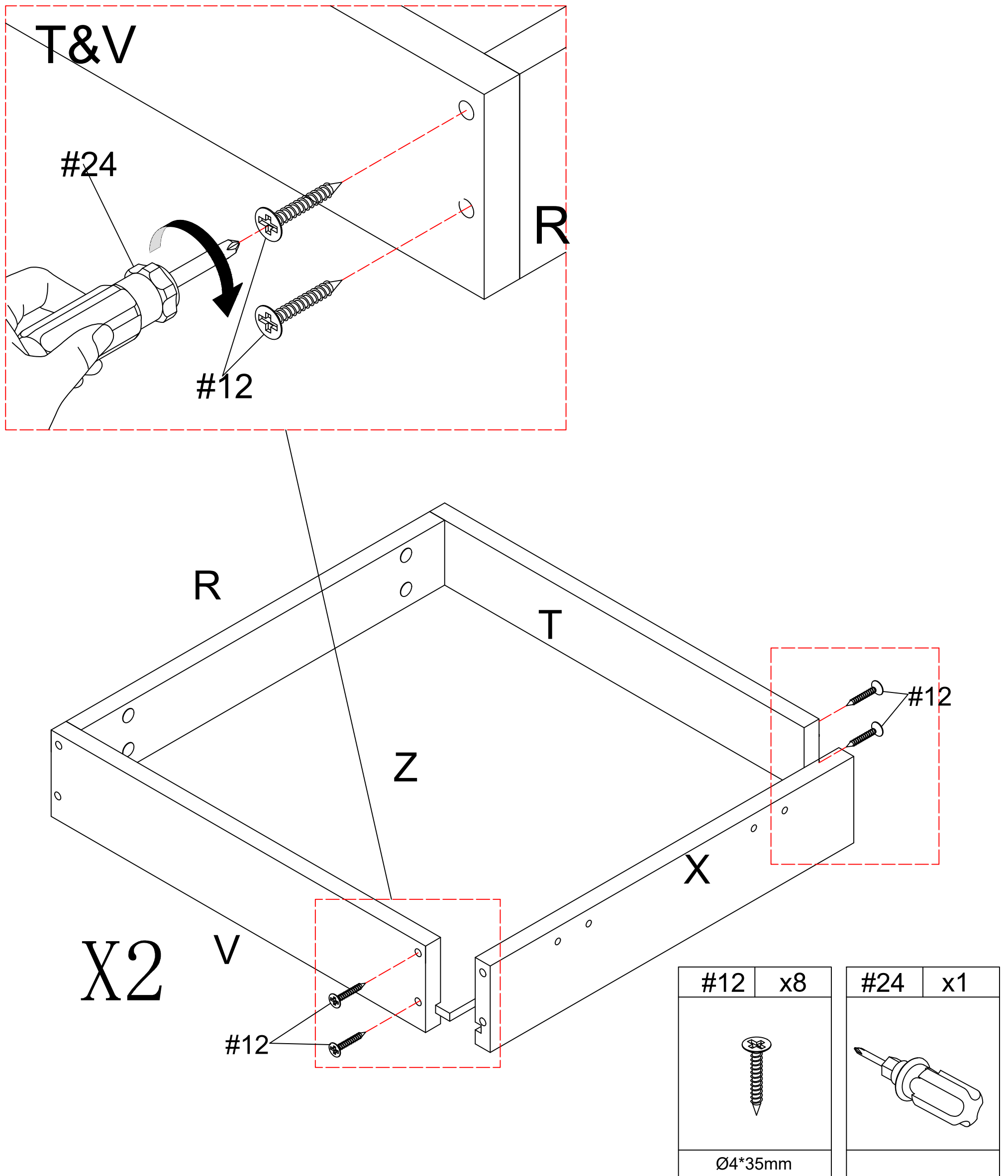
Connect the part R with part T&V align the hole in the part R. ,insert the bolt #5 in part T&V into part R . insert cam bolt #8 into the corresponding hole of side panel R ,and tighten the nuts #8 with a screwdriver #24. After installation, cover the screw holes with #10. Make sure the groove is in same side as picture show. slide in the part Z into the groove in part T&V . make sure they are also in groove in part R.



ASSEMBLY INSTRUCTIONS

STEP-18

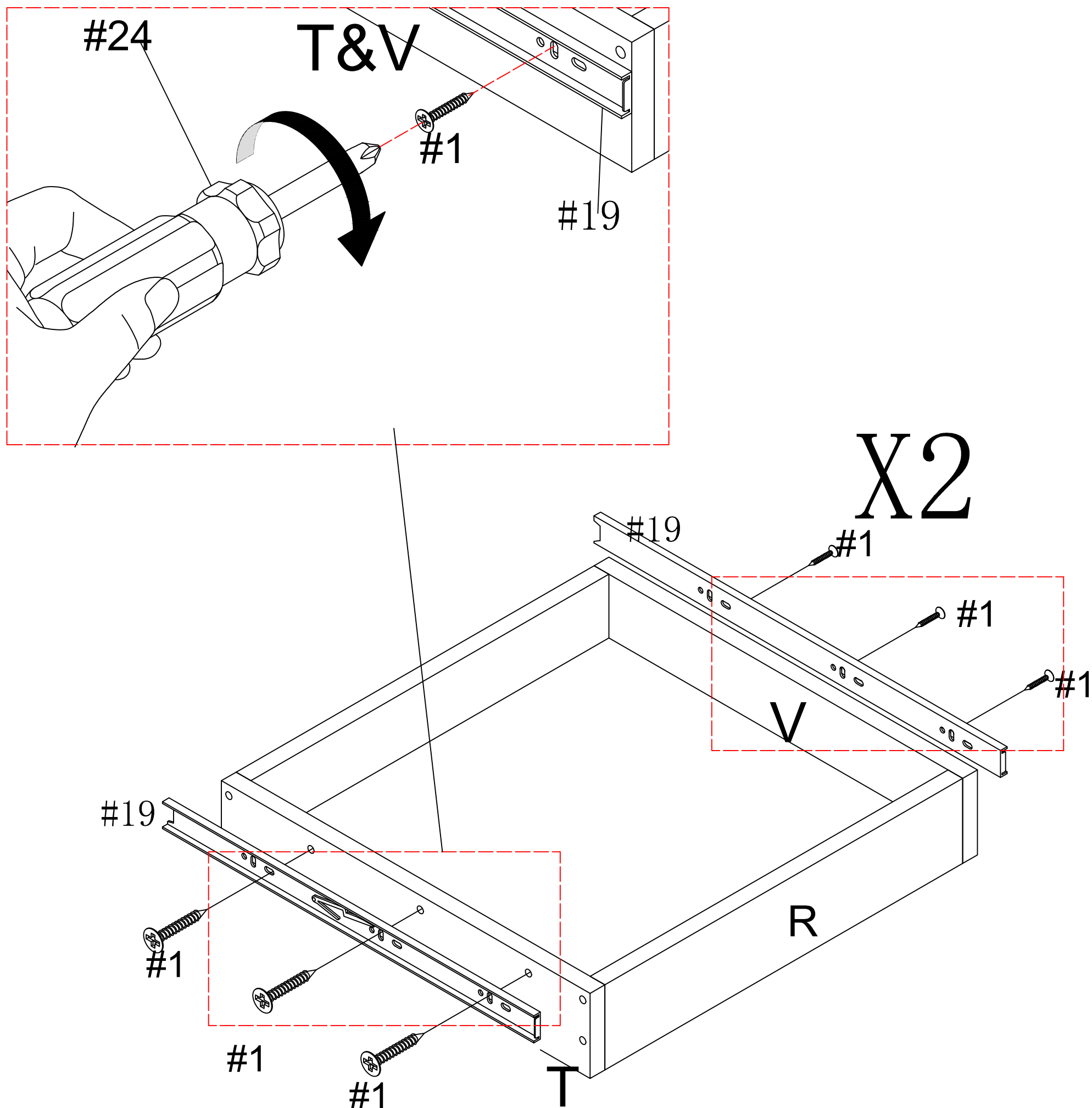
1. Attach the part X to the pre-assembled unit in step 16 with a screw #12 and tighten #12 with a screwdriver #24

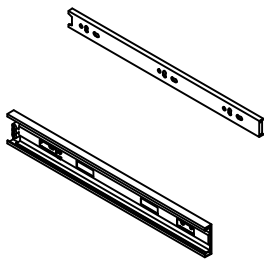


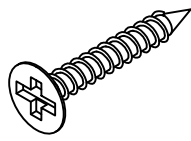
ASSEMBLY INSTRUCTIONS

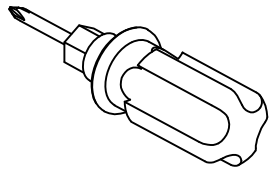
STEP-19

Use #1 screws to fix the slide rail #19 to the corresponding position of the part (T&V), and tighten the screws with a screwdriver#24.



#19	x4
	

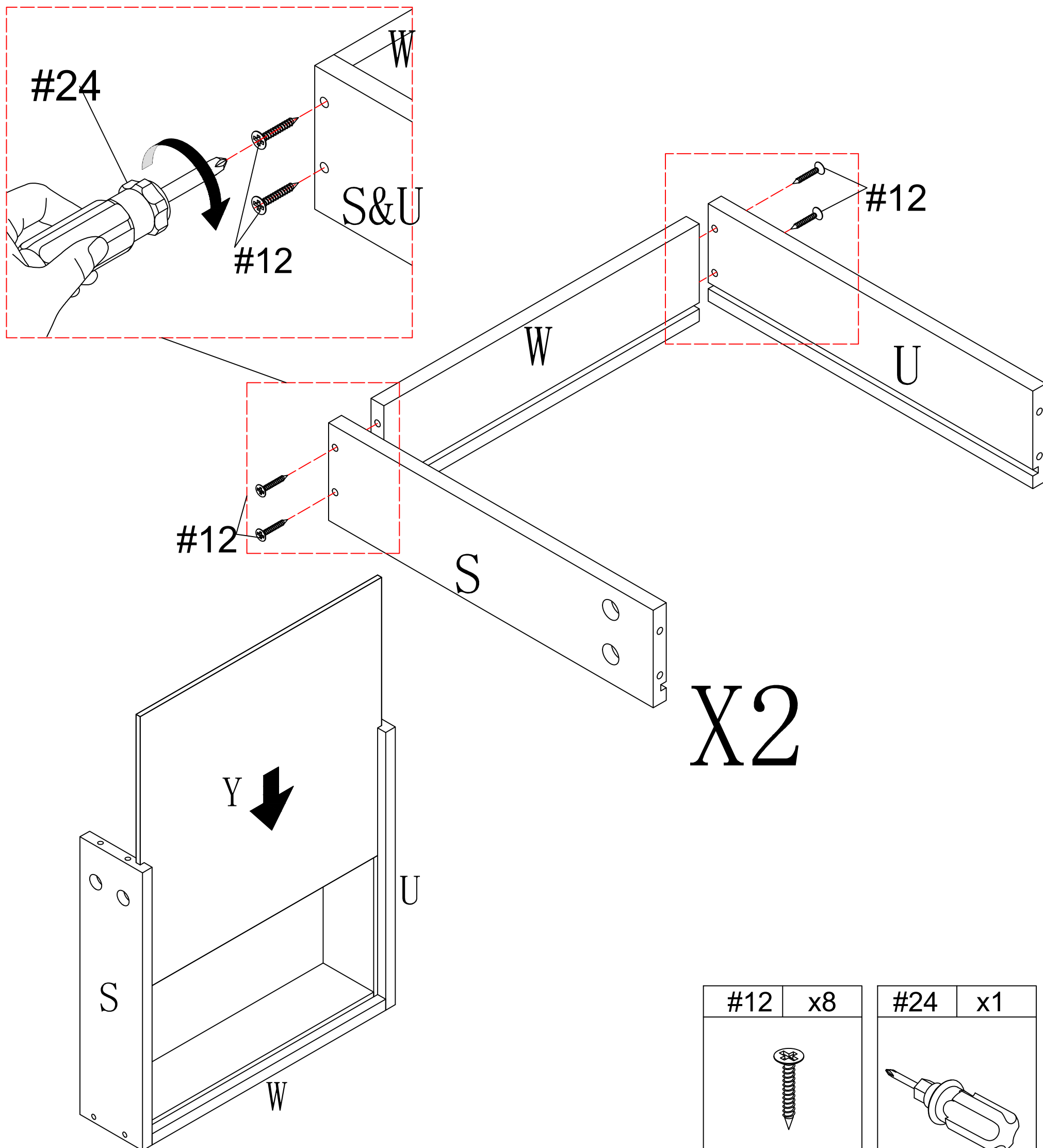
#1	x12
	
Ø3.5*14mm	


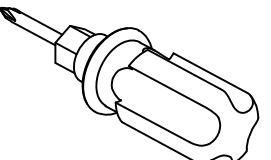
#24	x1
	

ASSEMBLY INSTRUCTIONS

STEP-20

1. Connect part (U&S) to part W using screw #12 and tighten it with screwdriver #24. Slide in the part (Y) into the groove in part (S&U). make sure they are also in groove in part (W).

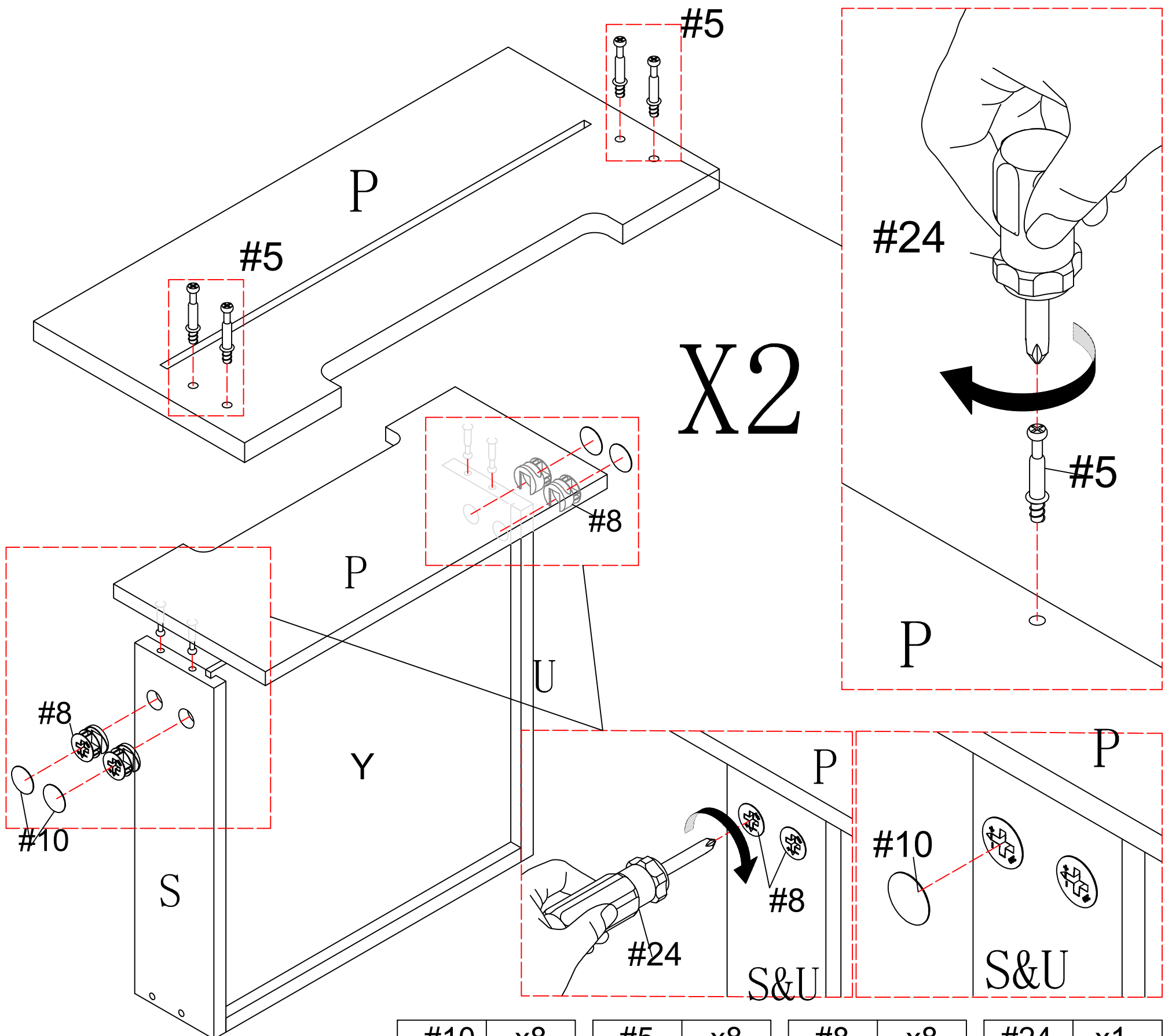


#12	x8	#24	x1
			
Ø4*35mm			

ASSEMBLY INSTRUCTIONS

STEP-21

Align the holes in part P, tighten with screwdriver #24 tighten #5.
 Connect the part P with part S&U align the hole in the part S&U.
 ,insert the bolt #5 in part P into part S&U . insert cam bolt #8 into the
 corresponding hole of side panel S&U ,and tighten the nuts #8 with a
 screwdriver #24. After installation, cover the screw holes with #10.
 Make sure the groove is in same side as picture show.

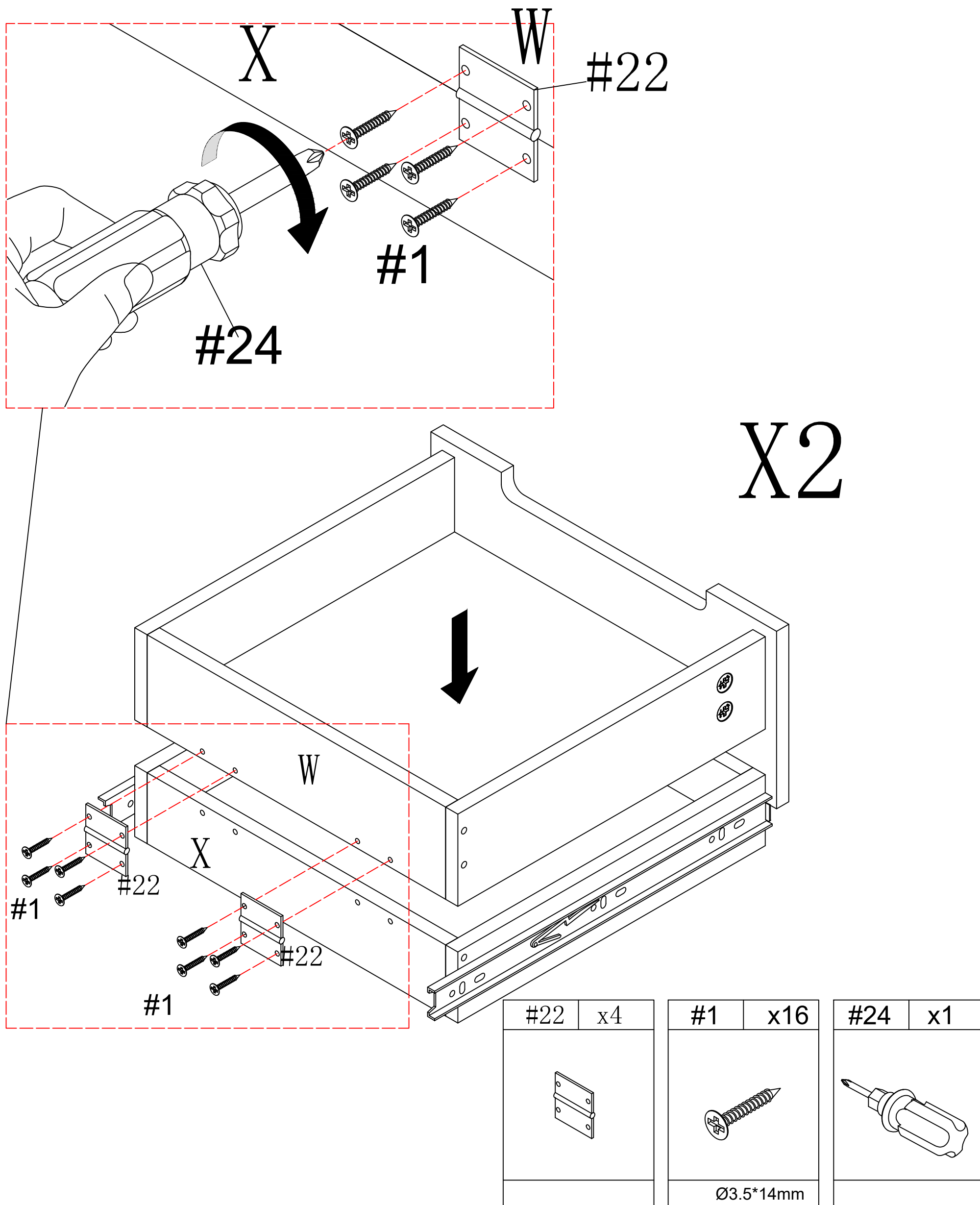


#10	x8	#5	x8	#8	x8	#24	x1
Ø20		Ø6/35mm		Ø15*11			

ASSEMBLY INSTRUCTIONS

STEP-22

1. Use screw # 1 to attach hinge #22 to the corresponding hole of panel (W&X), tighten screw with screwdriver #24.

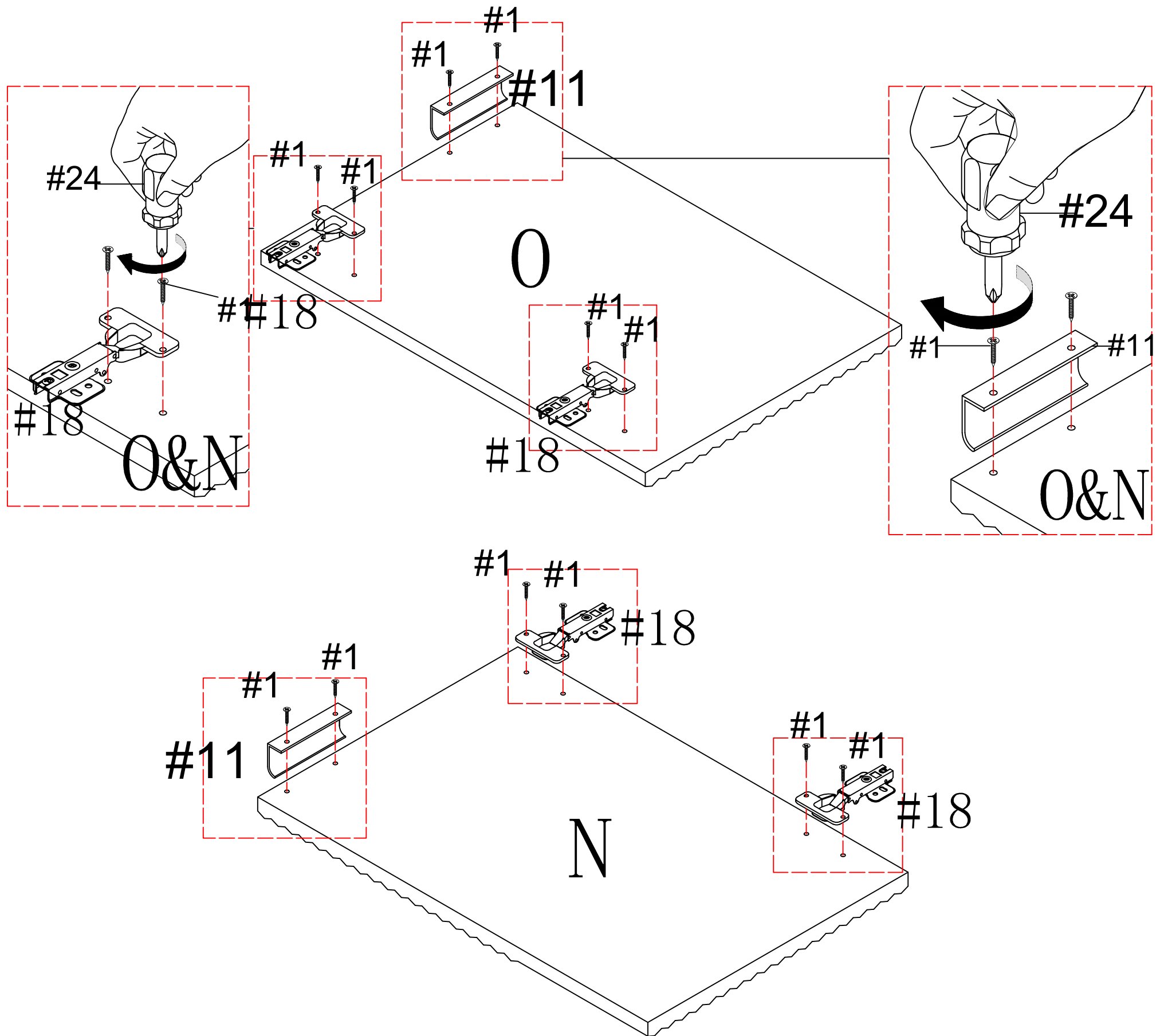


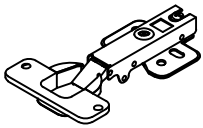
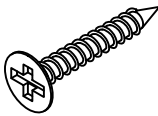
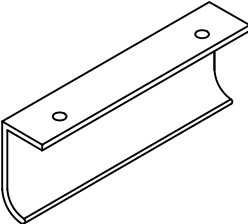
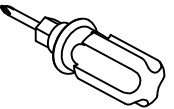
ASSEMBLY INSTRUCTIONS

STEP-23

1. Use screw #1 to attach the hinges #18 to door panel (O&N), tighten screws #6 with screwdriver #24.

1. Use screw #1 to attach handle #11 to the corresponding hole of panel (O&N), tighten screw with screwdriver #24.

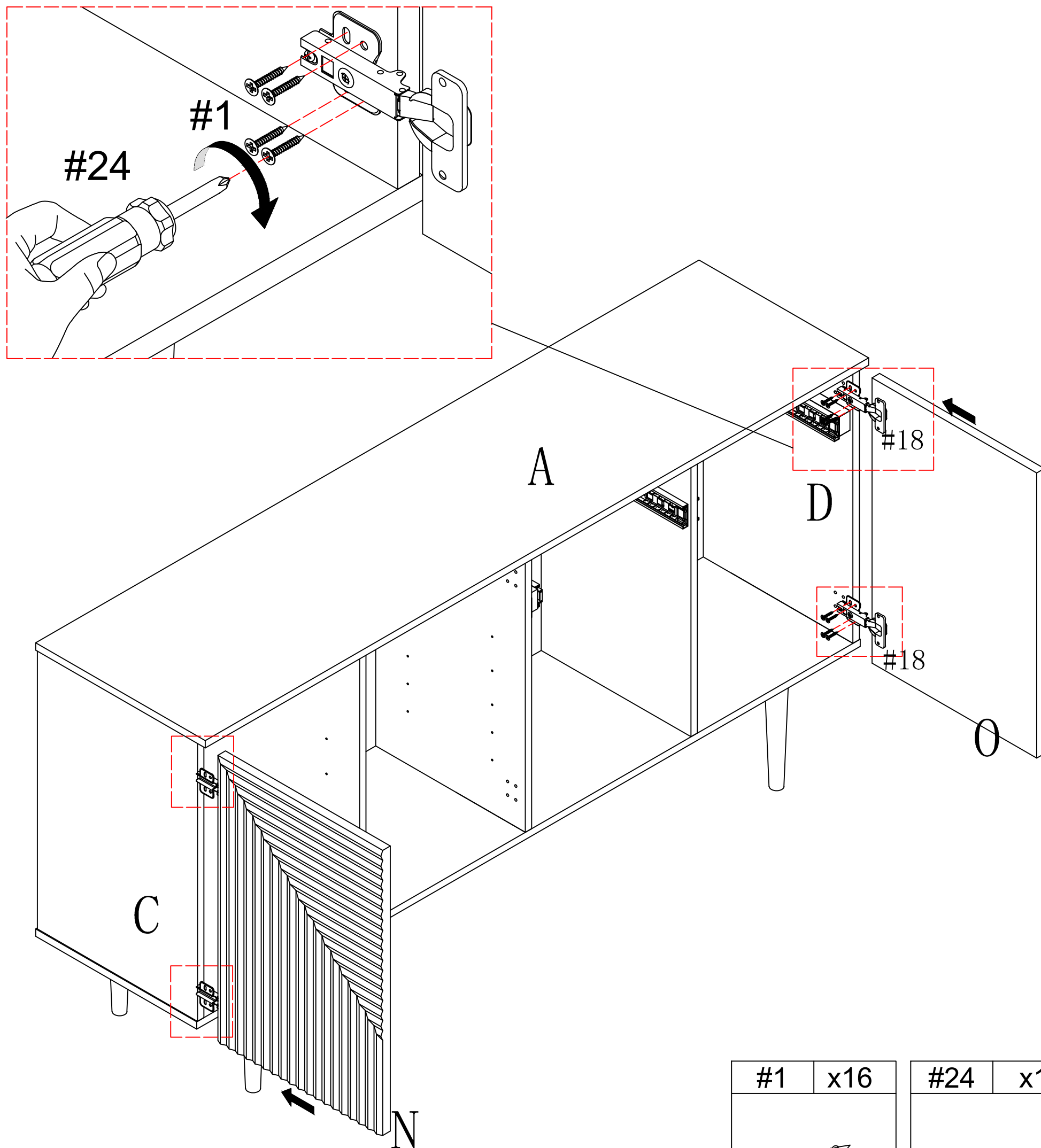


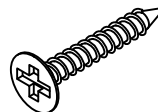
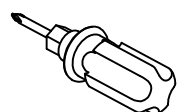
#18	x4	#1	x12	#11	x2	#24	x1
							
		Ø3.5*14mm					

ASSEMBLY INSTRUCTIONS

STEP-24

1. Use screw #1 to attach left door (N) and right door (O) to pre-assemble unit at step 14, tighten screw #1 with screwdriver #24.



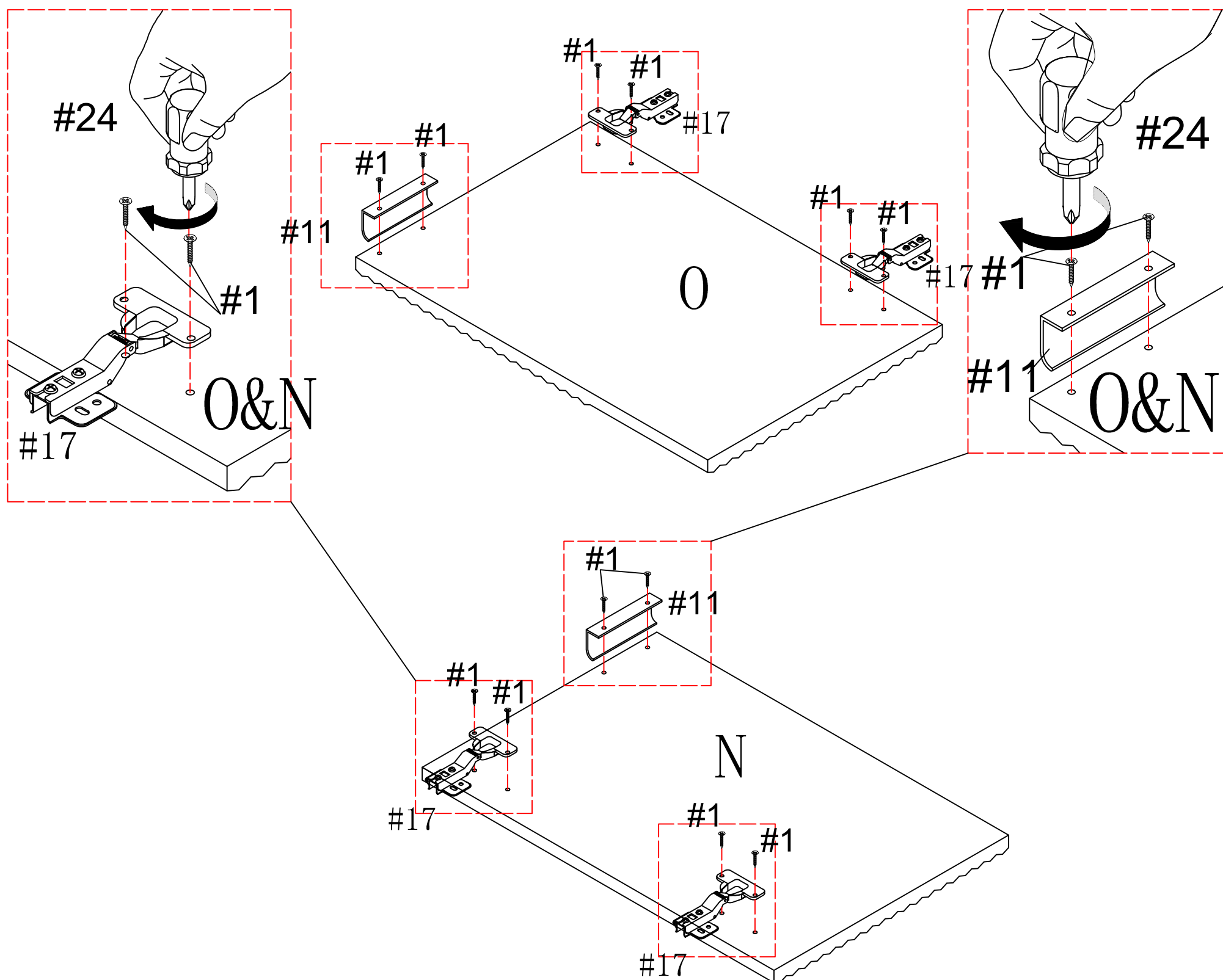
#1	x16	#24	x1
			
Ø3.5*14mm			

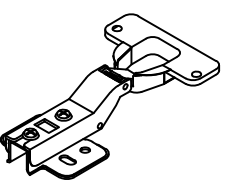
ASSEMBLY INSTRUCTIONS

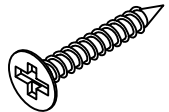
STEP-25

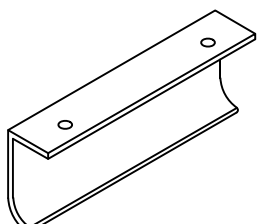
1. Use screw #1 to attach the hinges #17 to door panel (O&N), tighten screws #6 with screwdriver #24.

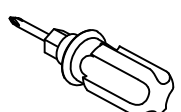
1. Use screw #1 to attach handle #11 to the corresponding hole of panel (O&N), tighten screw with screwdriver #24.



#17	x4
	

#1	x12
	
Ø3.5*14mm	

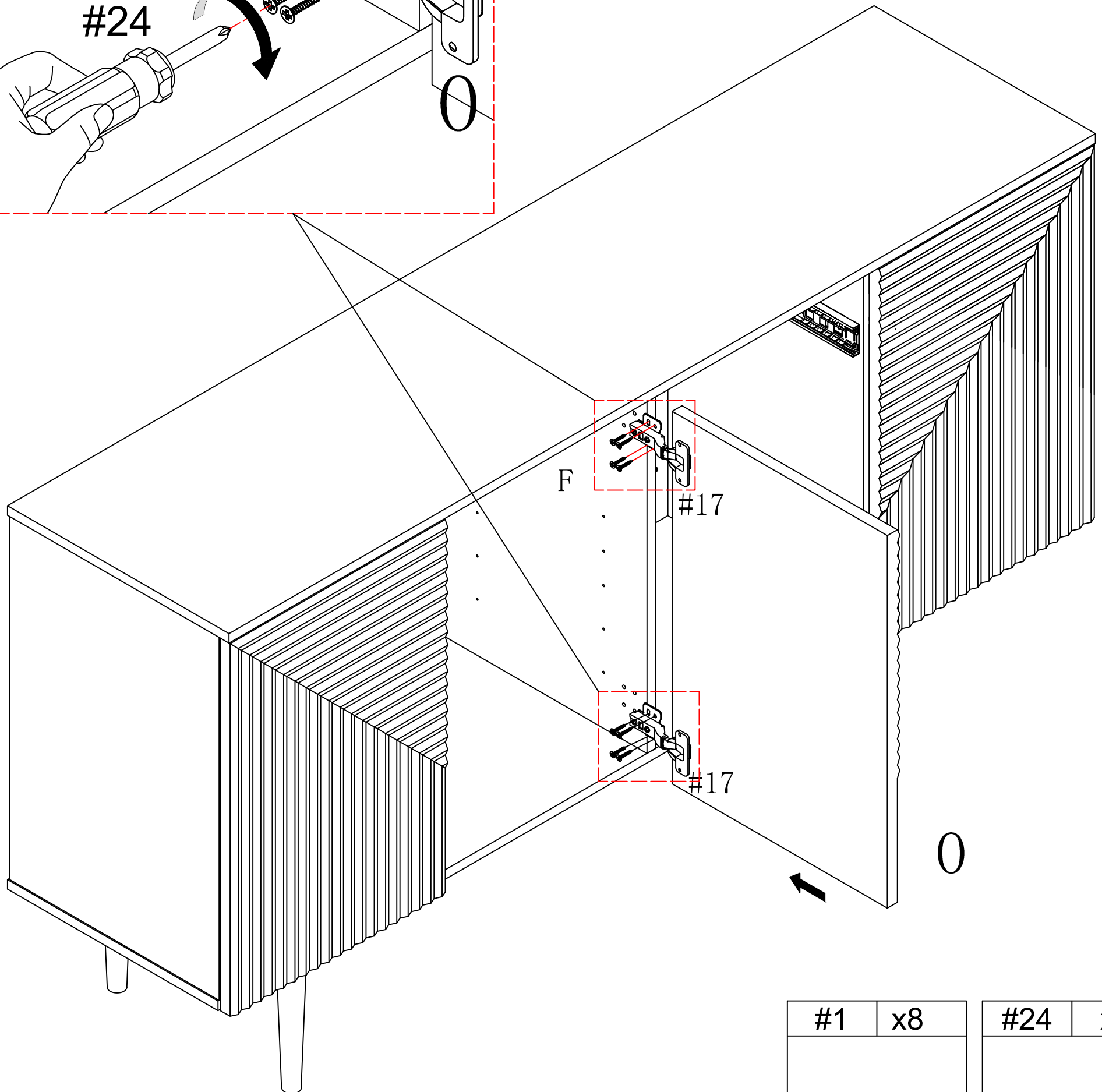
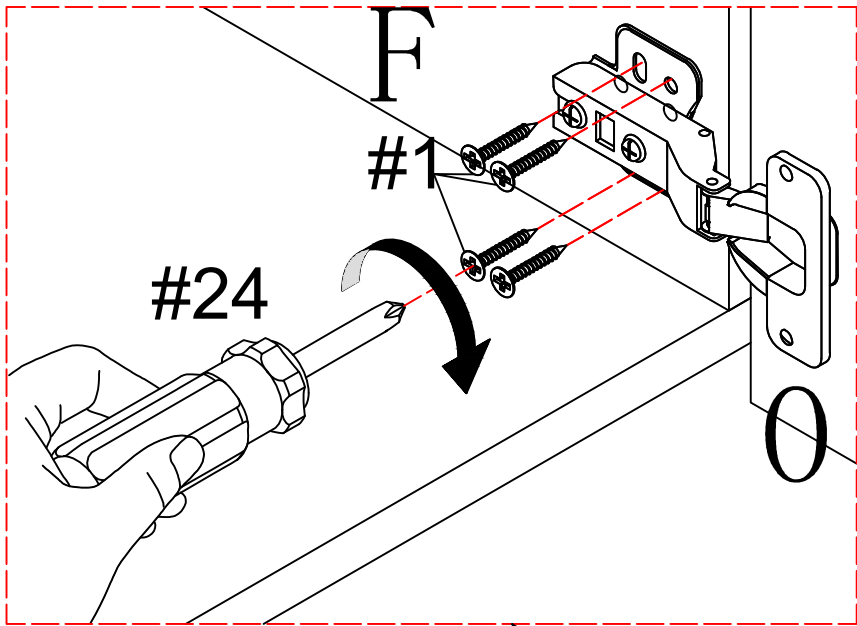
#11	x2
	

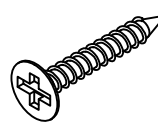
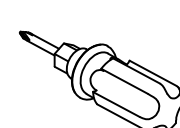
#24	x1
	

ASSEMBLY INSTRUCTIONS

STEP-26

1. Use screw #1 to attach middle door (O) to pre-assemble unit at step 25, tighten screw #1 with screwdriver #24.

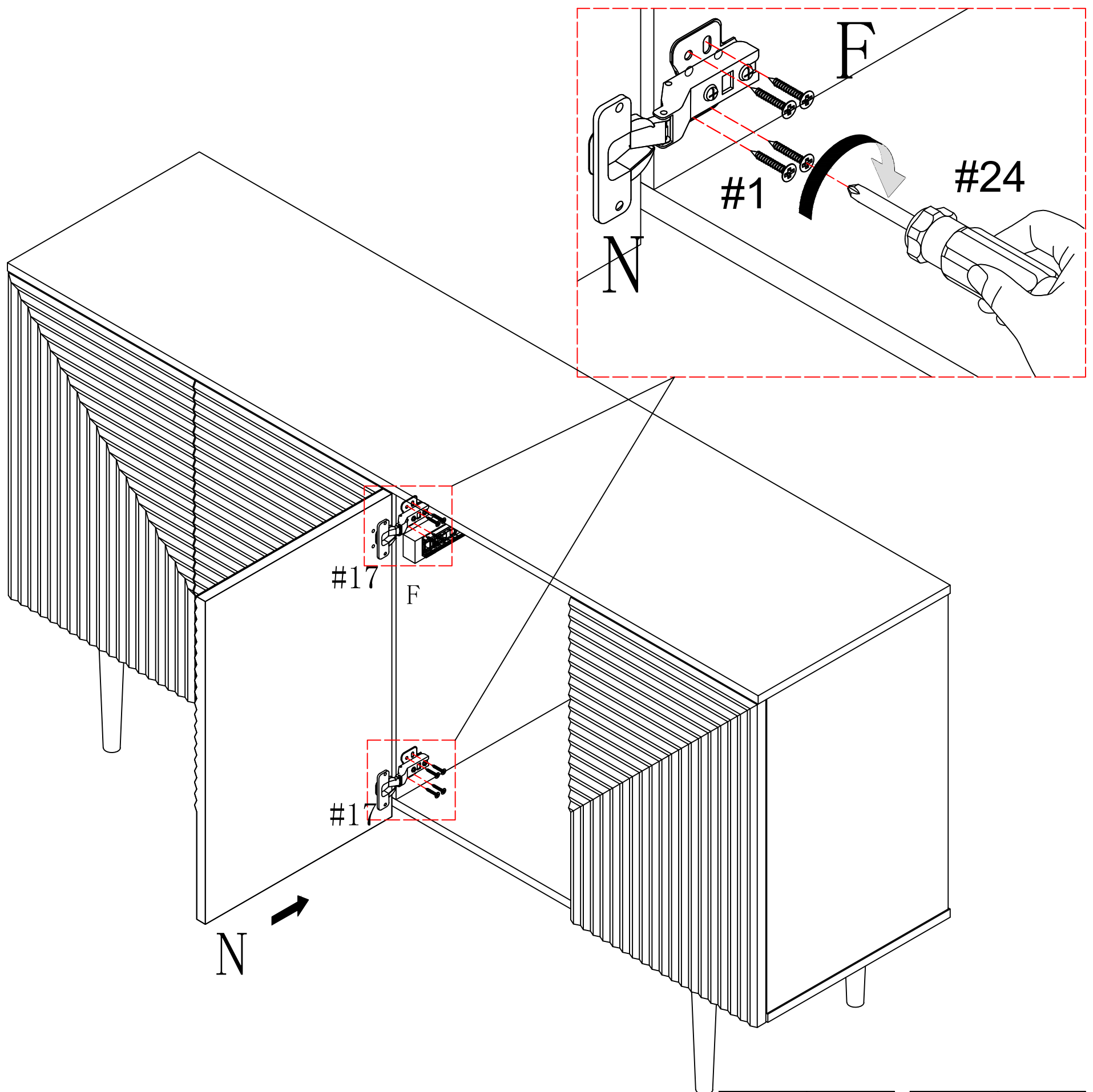


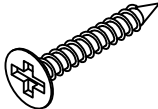
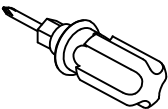
#1	x8	#24	x1
			
Ø3.5*14mm			

ASSEMBLY INSTRUCTIONS

STEP-27

1. Use screw #1 to attach middle door (N) to pre-assemble unit at step 27 ,tighten screw #1 with screwdriver #24 .

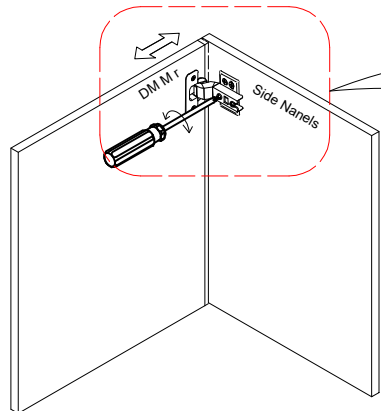


#1	x8	#24	x1
			
Ø3.5*14mm			

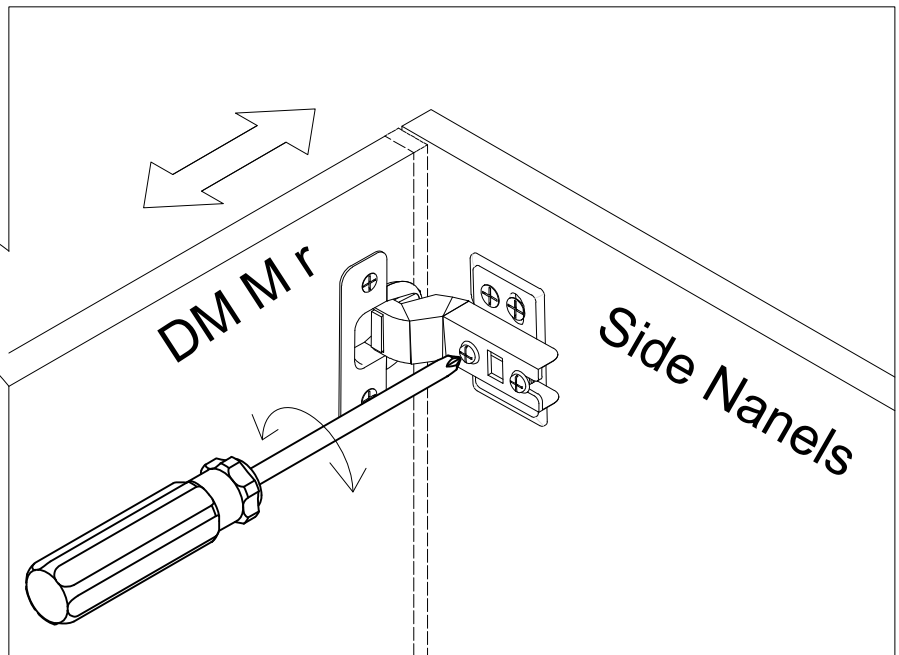
ASSEMBLY INSTRUCTIONS

STEP-28

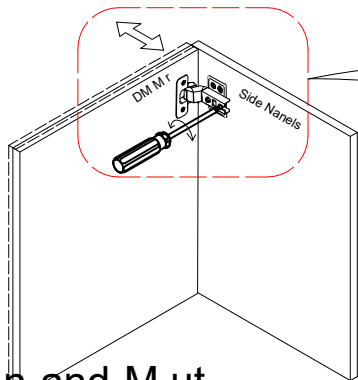
CM ncealed hinges are three-way adjustable:



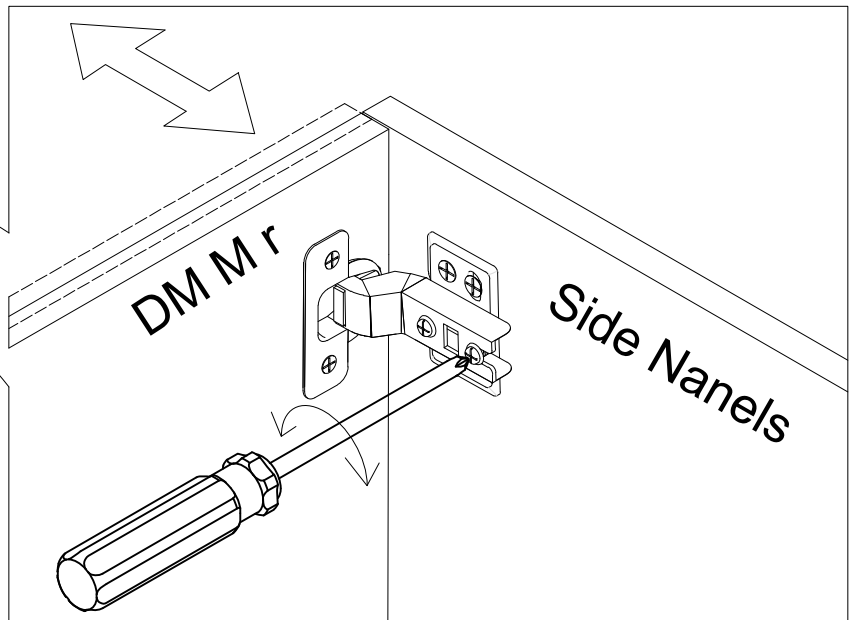
HM rizM ntal
by screw adjustment!



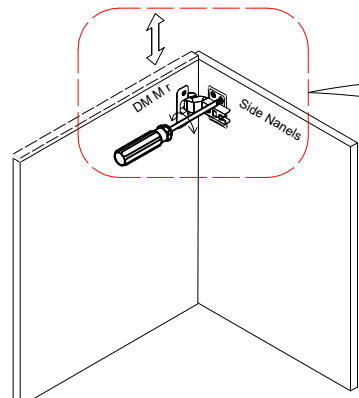
CM ncealed hinges are three-way adjustable:



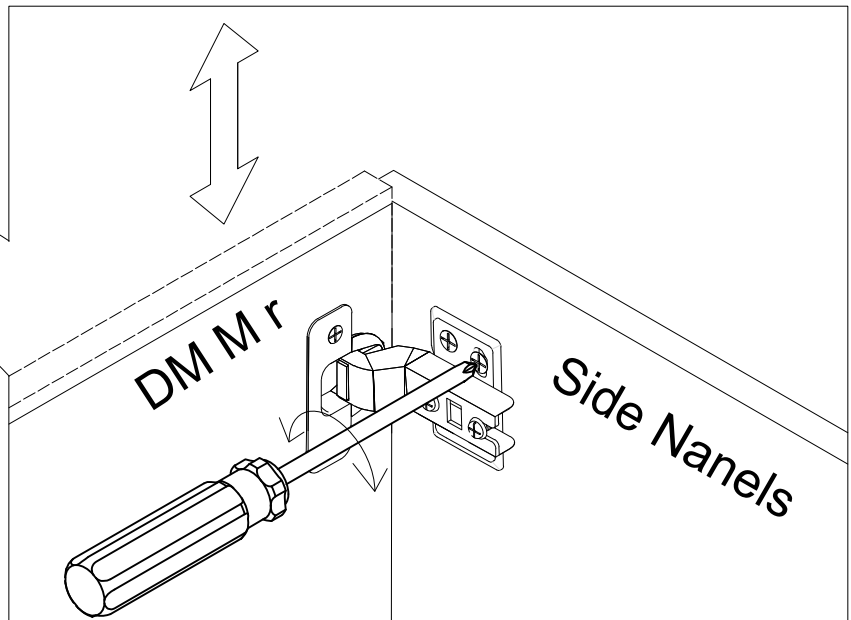
In-and-M ut
by IM M sening the hinge arm
mM untng screw M r via cam
adjustment!



CM ncealed hinges are three-way adjustable:



Vertical via sIM ts in
the mM untng Nlate
M r via cam adjustment!

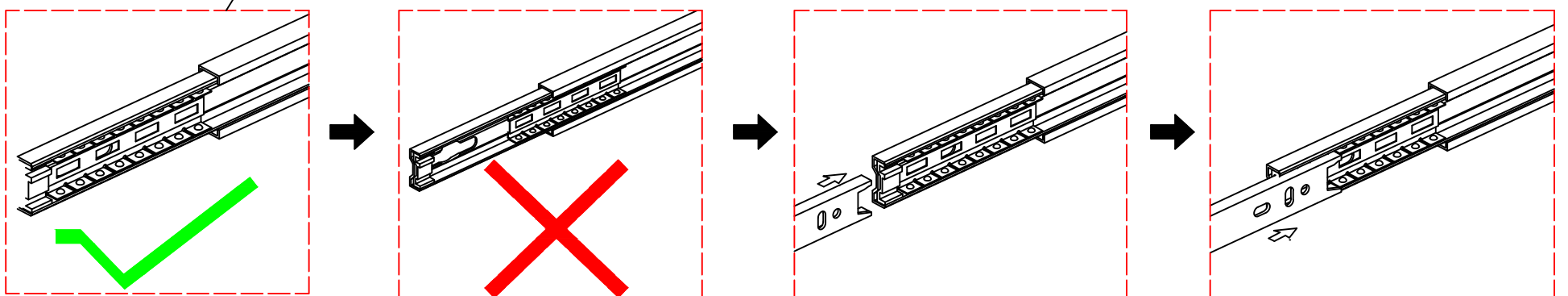
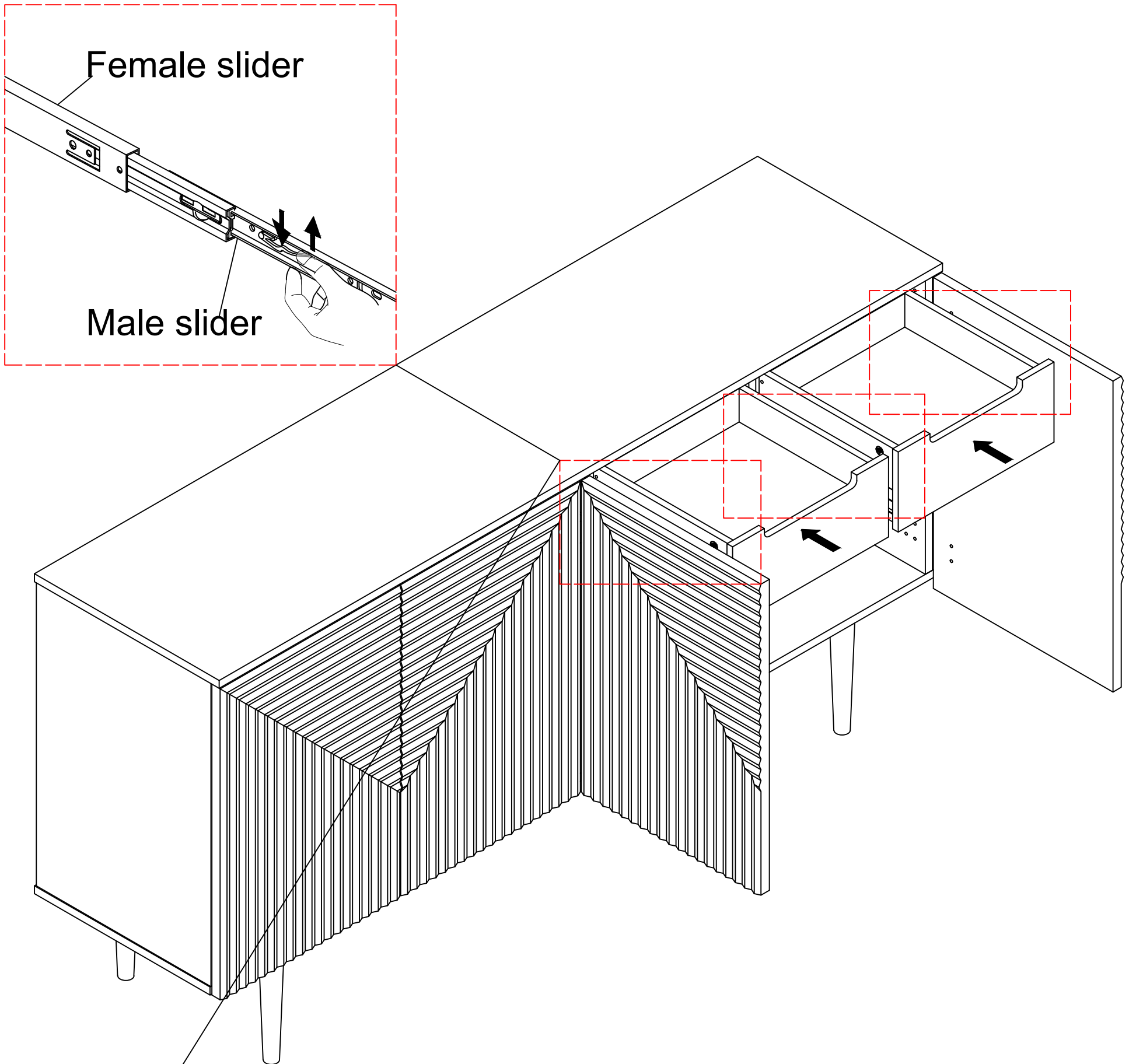


Video for door adjustment

Hinge adjustment method

ASSEMBLY INSTRUCTIONS

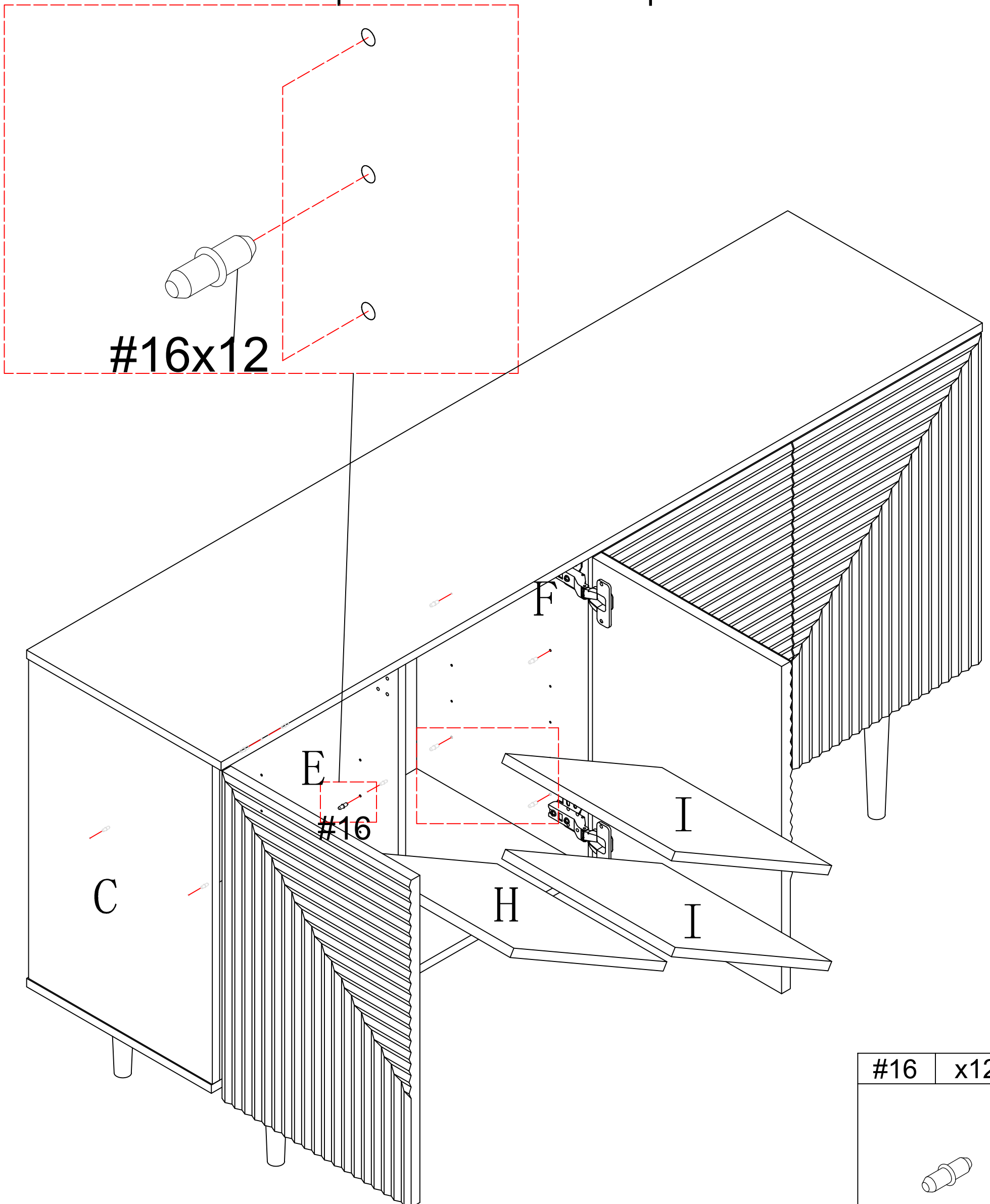
STEP-29

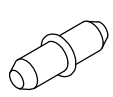


ASSEMBLY INSTRUCTIONS

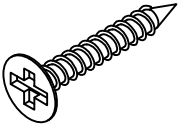
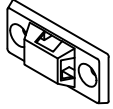
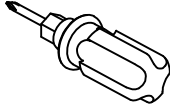
STEP-30

Place the adjustable shelf #H&I into the pre-assembled unit in step 30 and insert the shelf pins #16 into the side panels C&E&F.



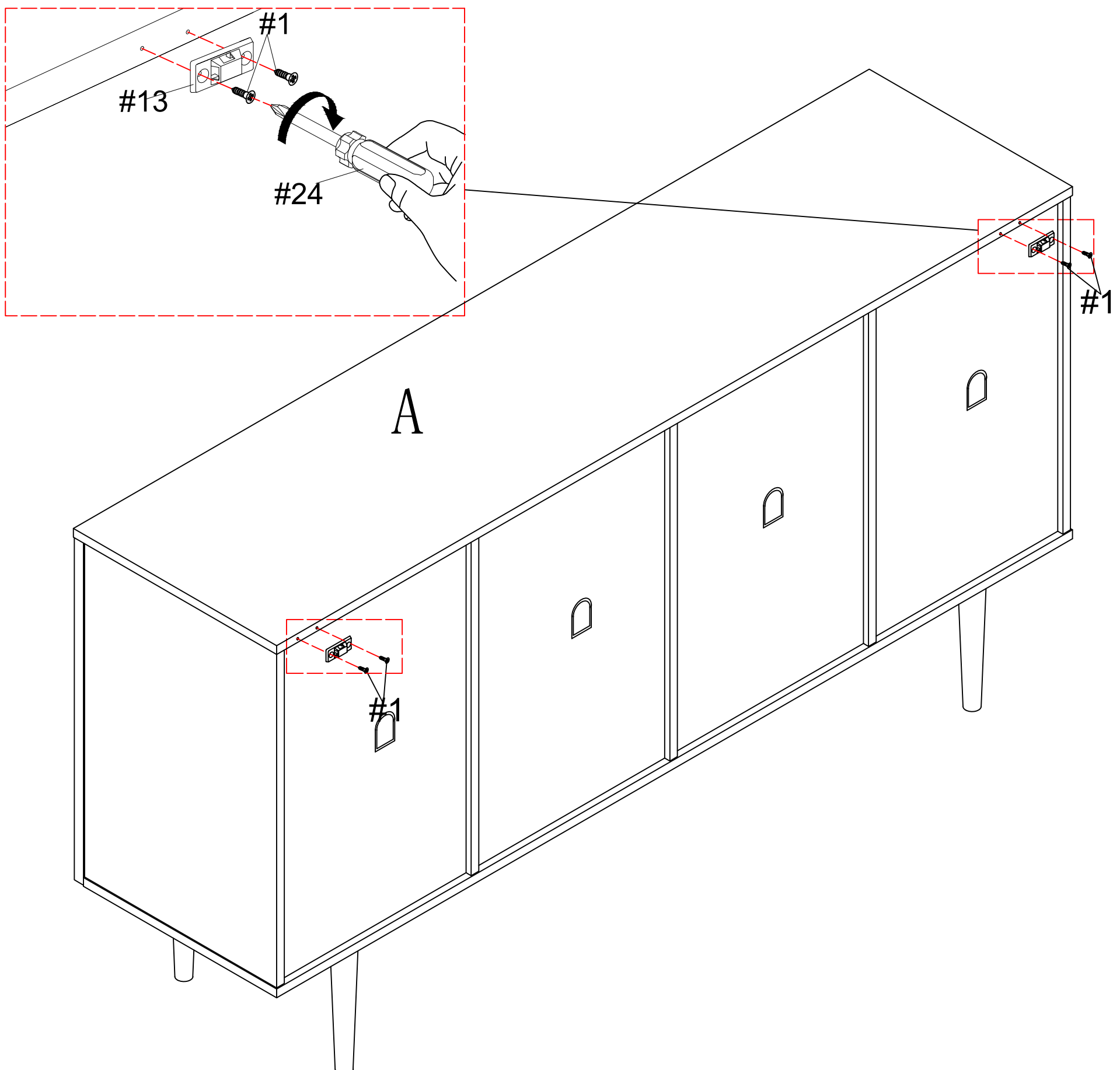
#16	x12
	

ASSEMBLY INSTRUCTIONS


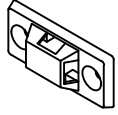

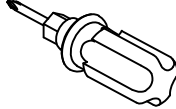
#1	x4	#13	x2	#24	x1
					
Ø3.5*14mm					

STEP-31

1. Use screw #1 to attach part #13 to pre-assemble unit at step 31, tighten screws with screwdriver #24.

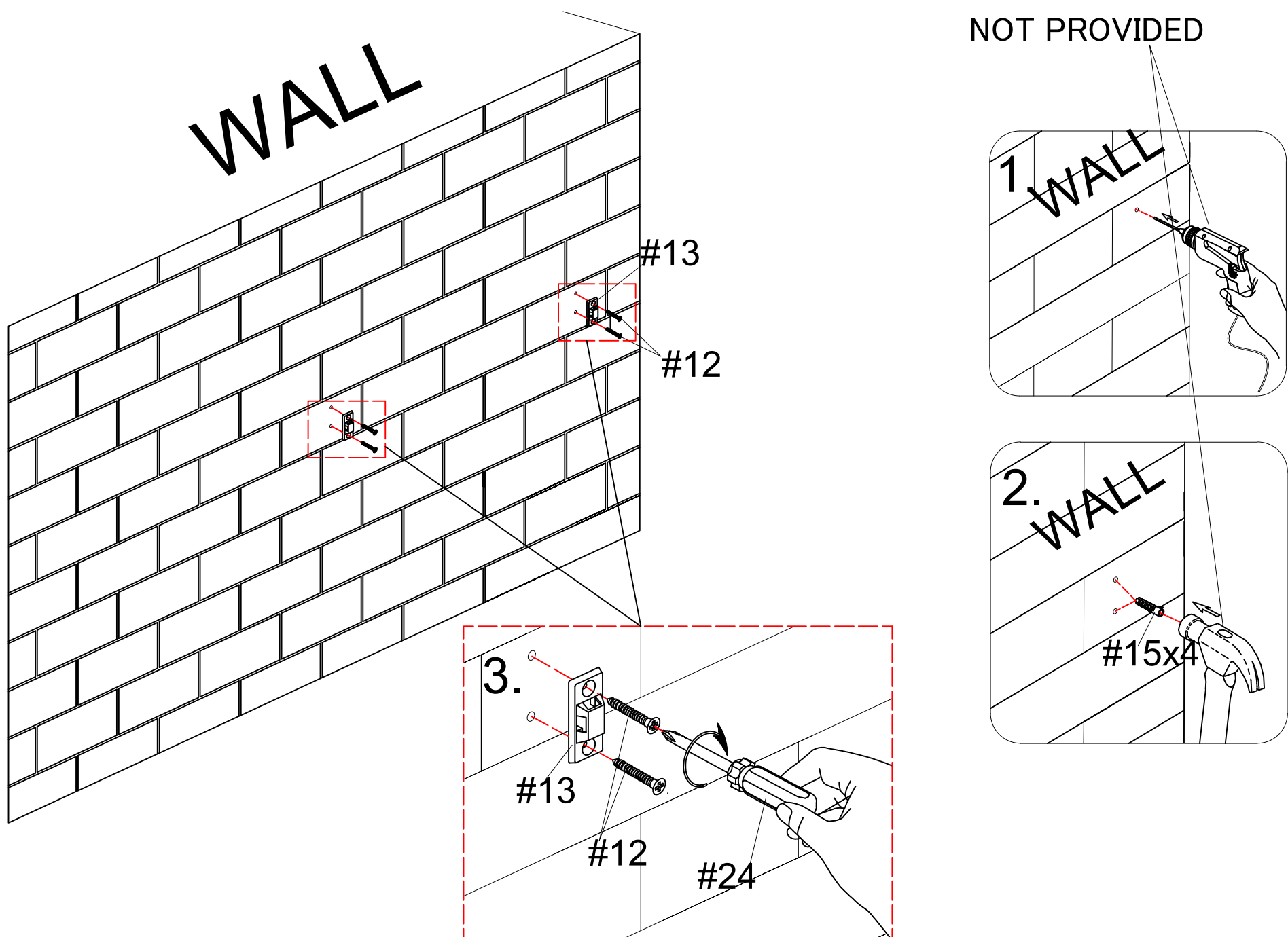


ASSEMBLY INSTRUCTIONS

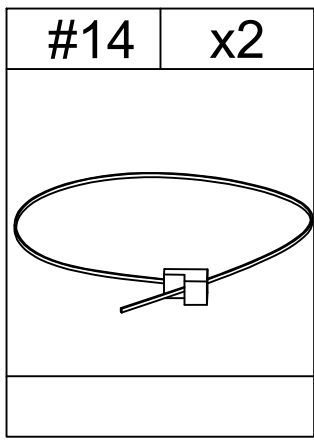
#15	x4	#13	x2	#12	x4	#24	x1
				 Ø4*35mm			

STEP-32

1. Install the anti-collapse device.
2. Mark the position on the wall, that corresponds to the location of part #13 on the of panel (A); Drill and insert the expandable screw #15 by hammer.
3. Assemble the part #13 to the wall. Align the hole in the part #13 with the expandable screw #15, use screw #12 to attach it and tighten by screwdriver #24.

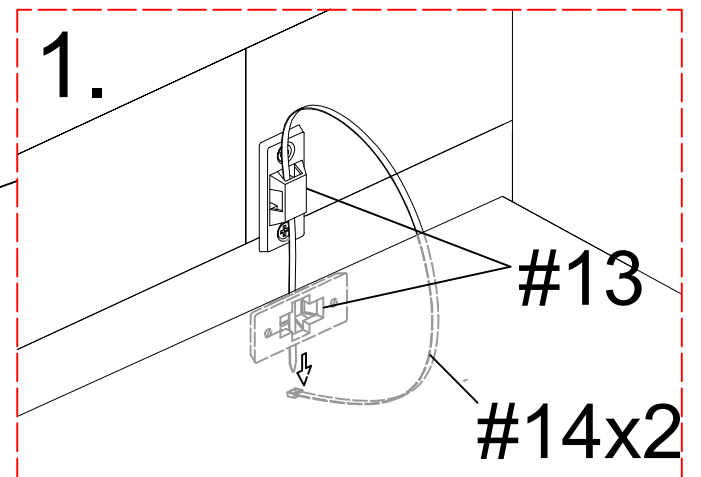
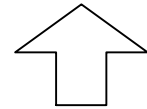
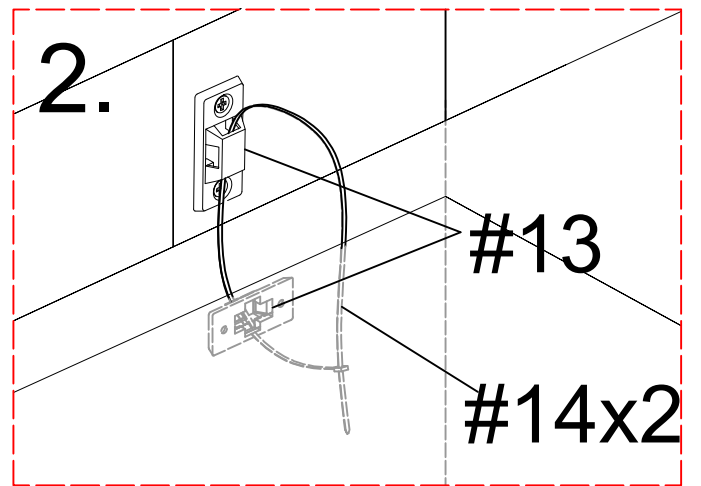
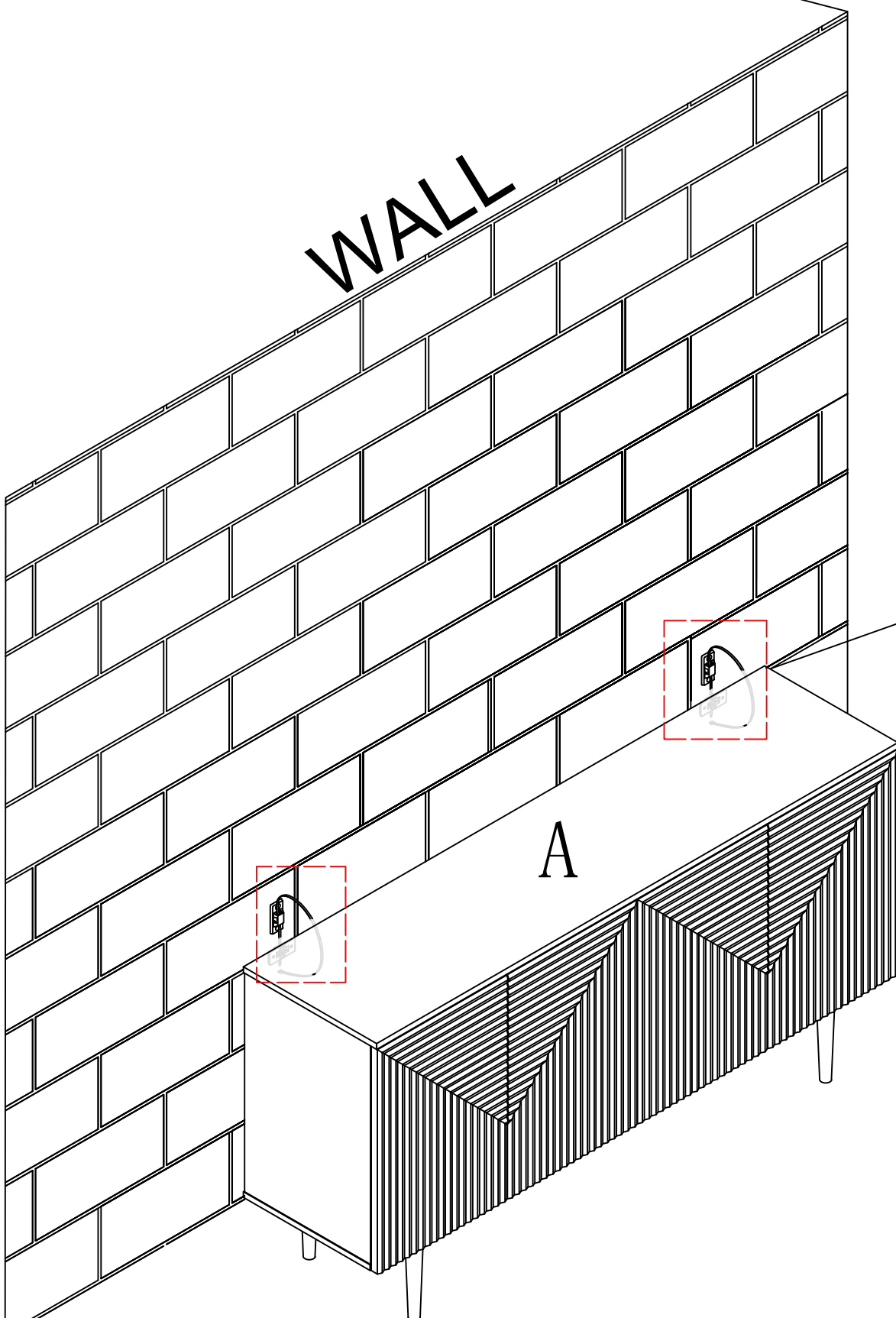


ASSEMBLY INSTRUCTIONS



STEP-33

1. Let the plastic belt #14 pass through the both part #13 and pull tightly.



WARRANTY

1. We strive to offer high-quality products, and we also try our best to satisfy each and every customer that orders from us with product or service as needed.
2. We provide 30 days warranty starting from the time you receive the item. Each customer must provide a record of their order such as the order number, or item receipt for any items that are out of the warranty period you may also still receive.
3. Replacement parts by purchasing them with our company if they are available.

Are you having difficulty
With assembly? Missing parts?
Please send email with your order No to
customerservice@hulalahome.com
For return, please check the return policy with
the retailer or market place you bought from.

Appreciate your purchasing from us.
Pop up your life by our furniture piece!