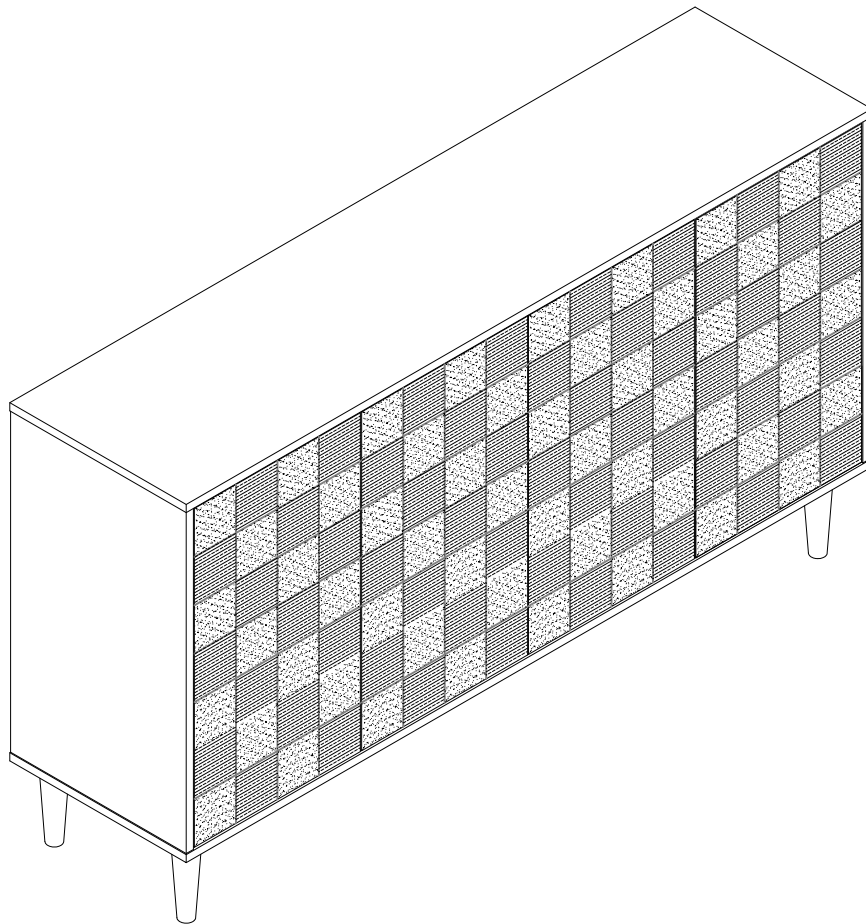
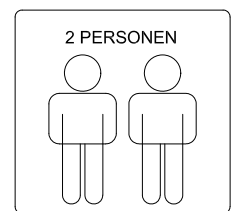


HULALA

H O M E



ITEM NO.SBTY0595



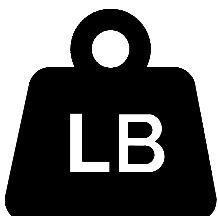
NOTE:

This brochure contains IMPORTANT safty info. Please read and keep for future reference.

MAINTAINANCE

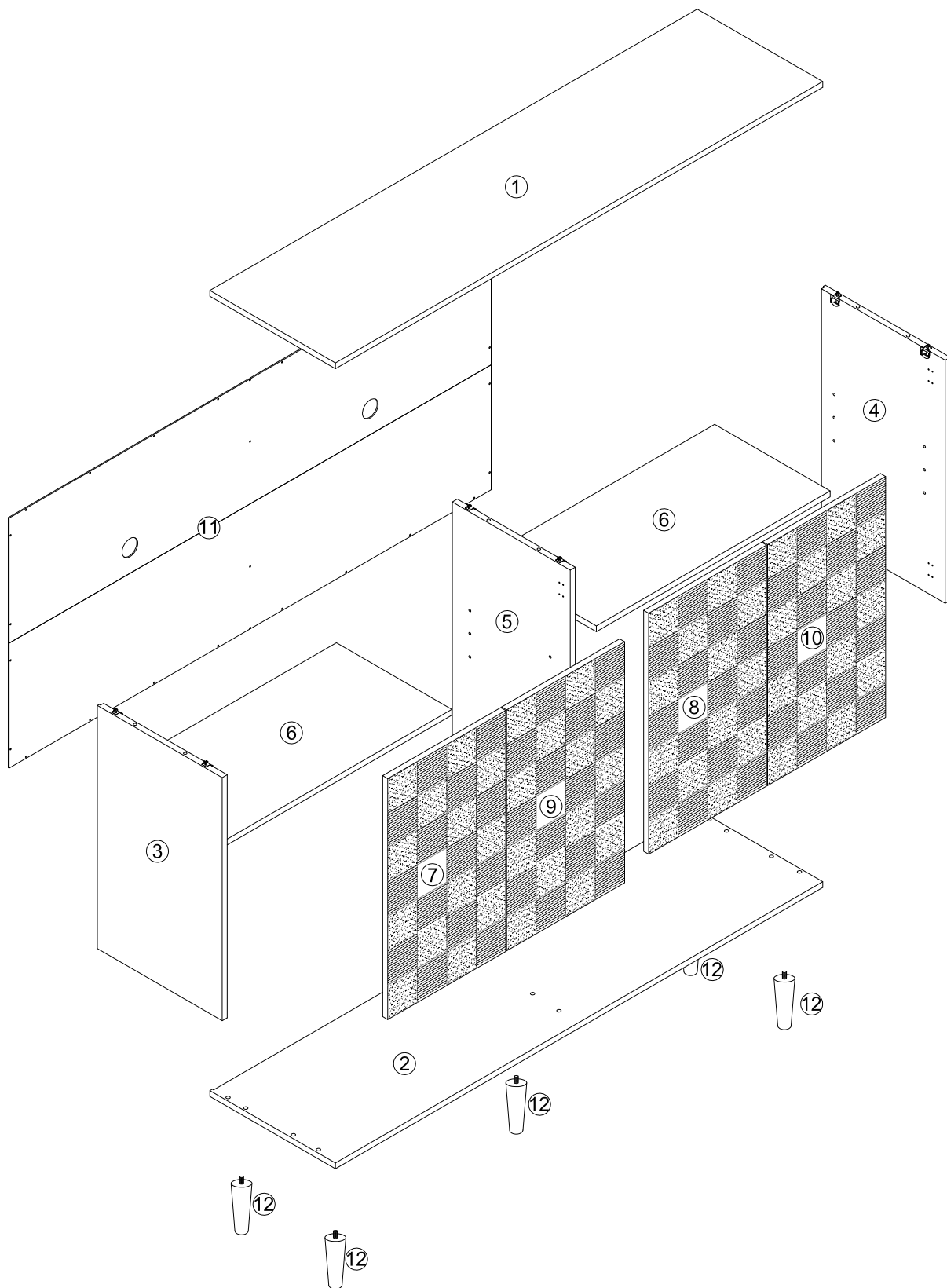
AND WARNING

- Keep furniture away from heat.
- Do not clean furniture with harsh cleansers or polish. Do not use detergents, Solvents, abrasives, spray packs or leather cleaner. Use non-color mild soap with warm water clean spills(Mix 1:10 soap to water)
- Do not place furniture under direct sunlight, material will possibly fade over time.
- Do not use on site dry Cleaning machine.
- Children should not climb or jump on the
- Do not write on furniture without a padded barrier to protect the surface.
- Not for commercial use, For residential use



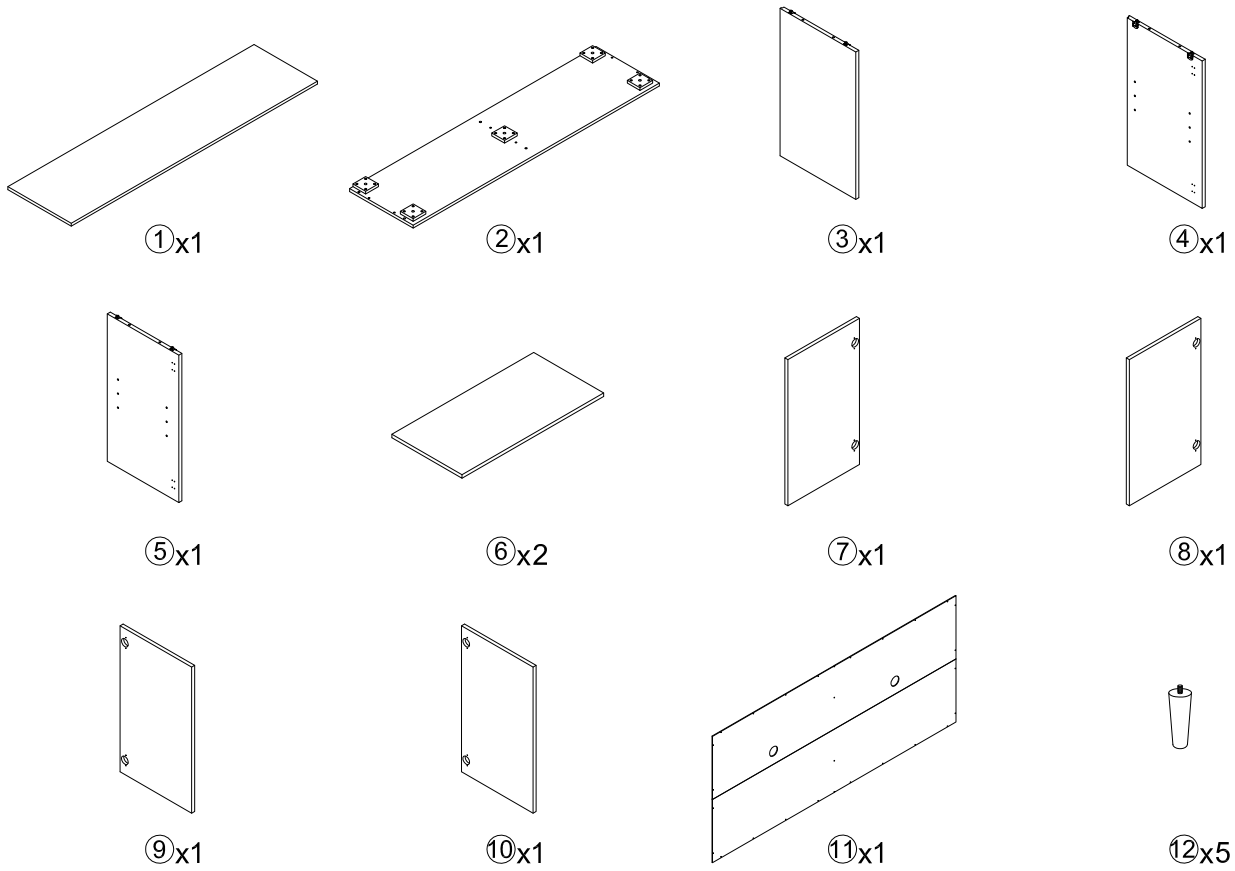
Weight Limitation

100LBS

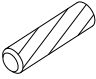


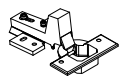
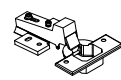
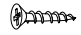
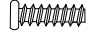


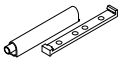







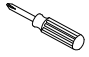


OVERVIEW









PARTS LIST



HARDWARE LIST

A	x12	B	x8	C	x26	D	x4	E	x4	F	x48	G	x6	H	x6
															
Ø8*30mm				Ø3*14mm		Big Bend Hinge		Small Bend Hinge		Ø3.5*14mm		Ø1/4"x1-1/4"		Ø1/4"	
I	x6	J	x4	K	x16	L	x1	M	x1	N	x2	O	x1	P	x1
															
Ø1/4"x16mm				Ø3*12mm		M4						Ø3*15mm		Ø3*38mm	
Q	x1	R	x1												
															
Safety Wall Strap															

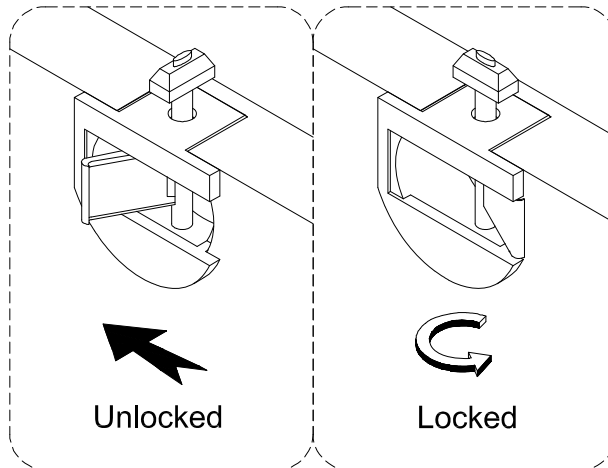
SPARE

A	x1	B	x1	C	x1	F	x1	G	x1	H	x1	I	x1	K	x1
															
Ø8*30mm				Ø3*14mm		Ø3.5*14mm		Ø1/4"x1-1/4"		Ø1/4"		Ø1/4"x16mm		Ø3*12mm	

Be sure to check all packing material carefully for small parts, which may have come loose inside the carton during shipment.

ASSEMBLY INSTRUCTLONS

Please do not use tools to assemble this unit unless specifically indicated.

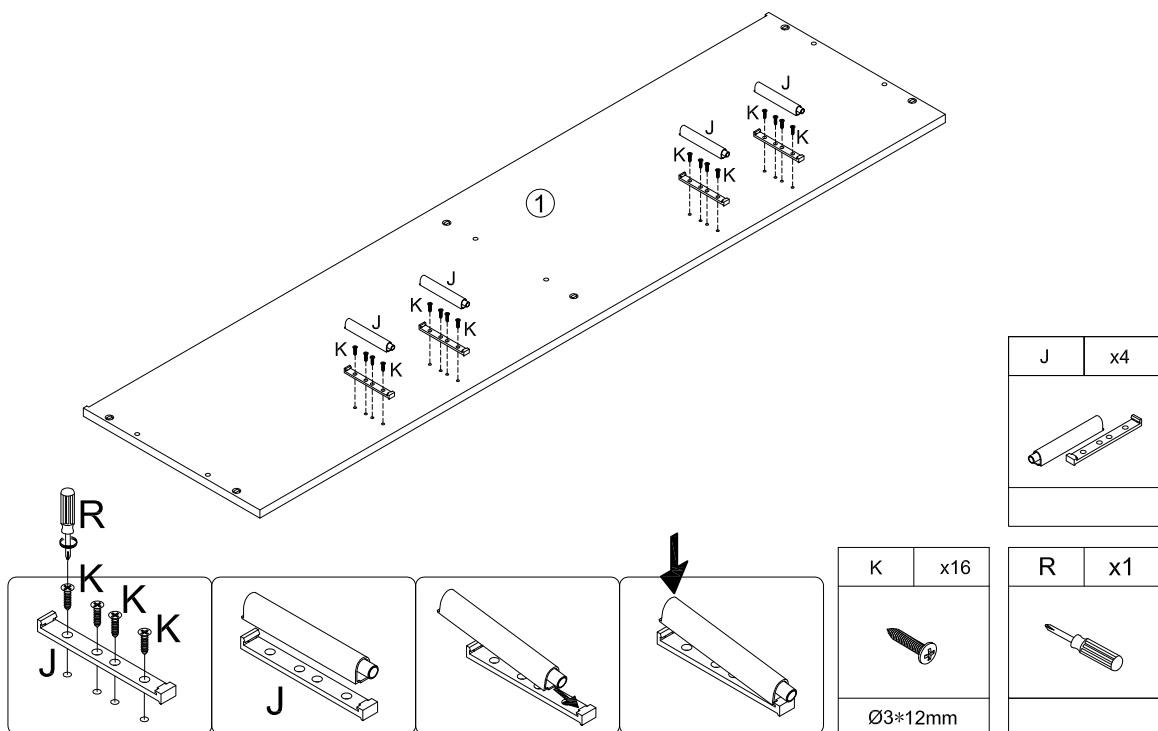


Reference the images above any time the instructions state "lock the hardware".

Note: Be sure to check all hardware is locked when completed.

STEP 1

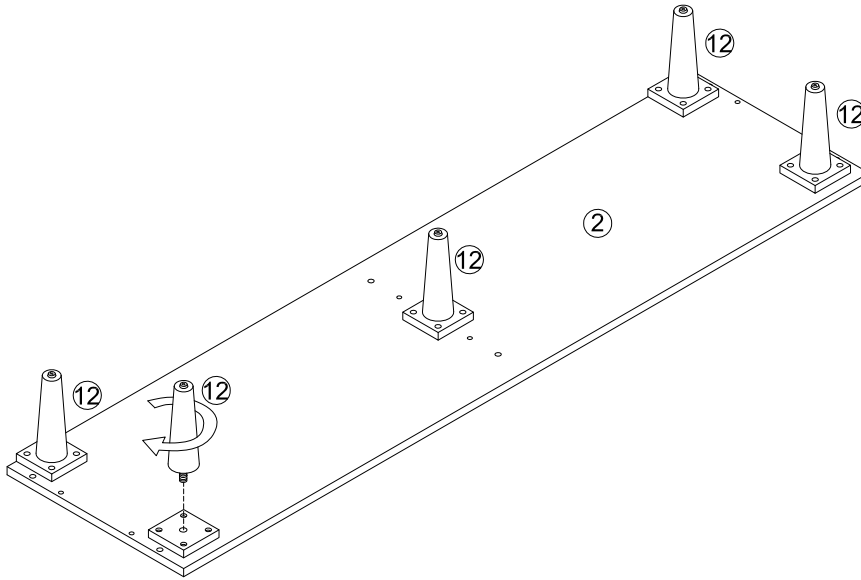
Prepare the part 1. Align the hole in part 1 to the hole in part J, screw in the screw K into the hole and phillips head screwdriver.



ASSEMBLY INSTRUCTLONS

STEP 2

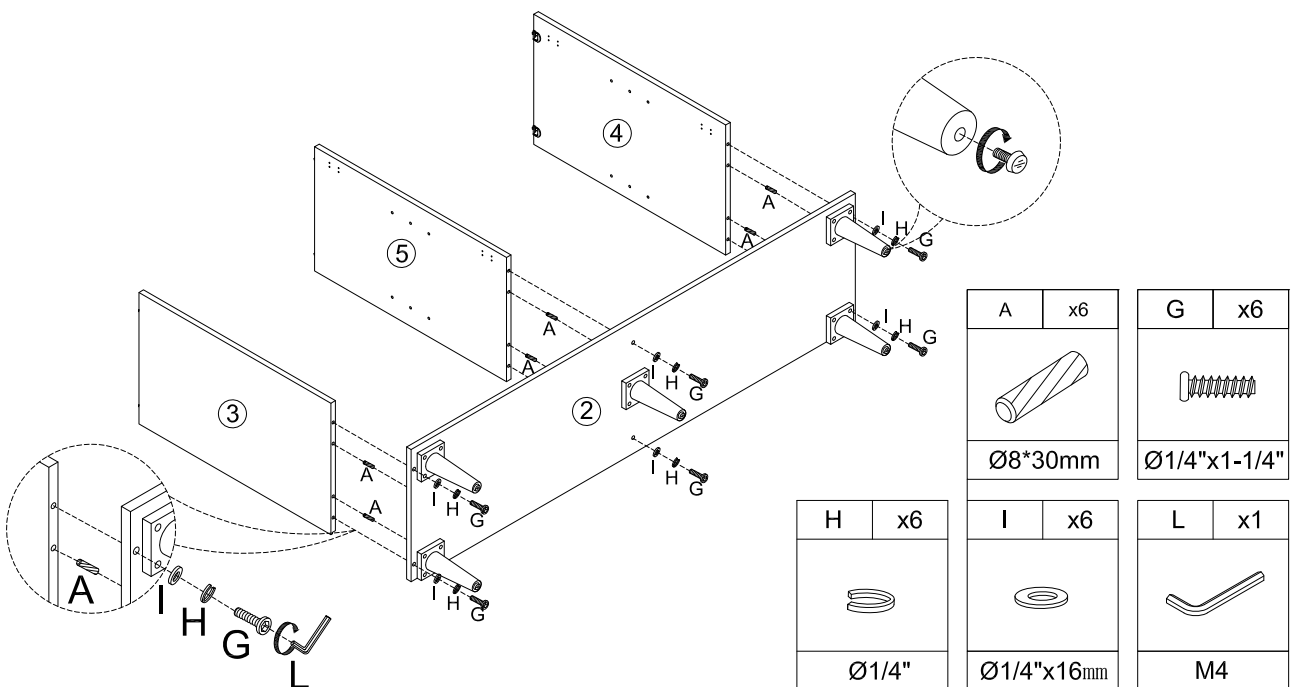
Prepare the part 2 and 12. Align the hole in part 12 to the hole in part 2 tighten it by hand.



STEP 3

Prepare the parts 2,3,4,5.

Attach bottom panel 2 to assembled unit 3, 4, 5 using wood dowels A, bolts G, spring washers H, flat washers I and allen wrench L.

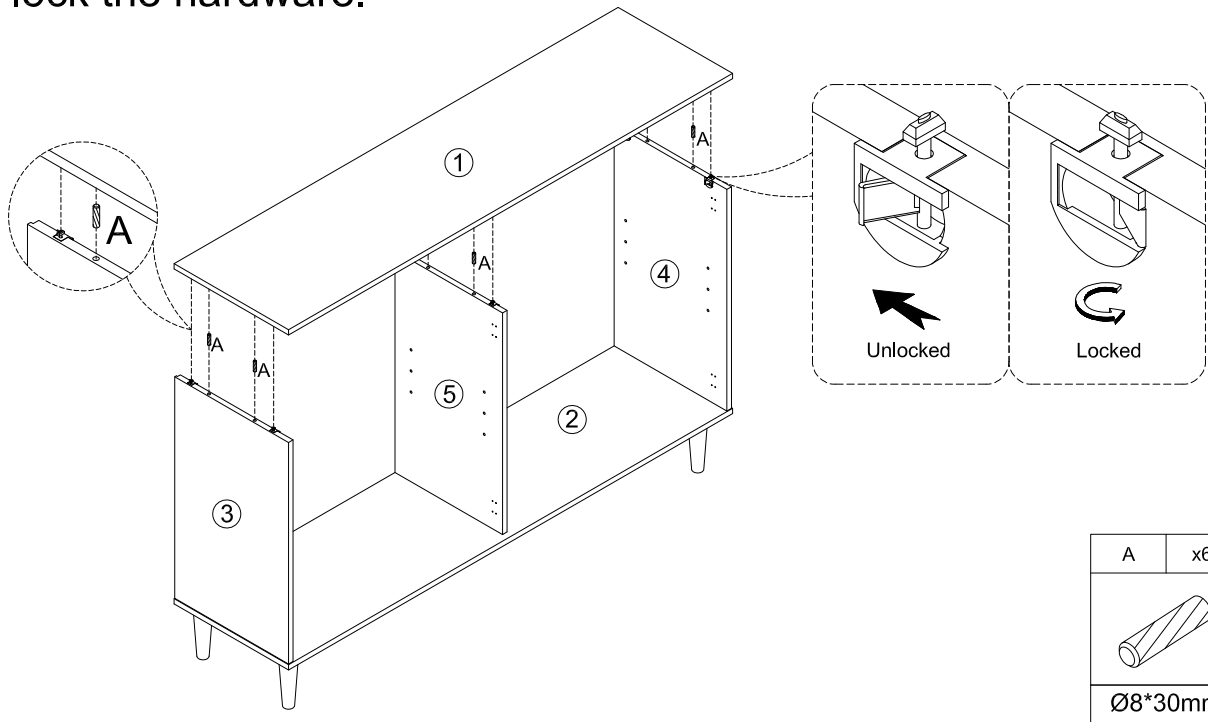


ASSEMBLY INSTRUCTLONS

STEP 4

Prepare the parts 1.

Attach top panel 1 to assembled unit 3, 4, 5 using wood dowels A and lock the hardware.

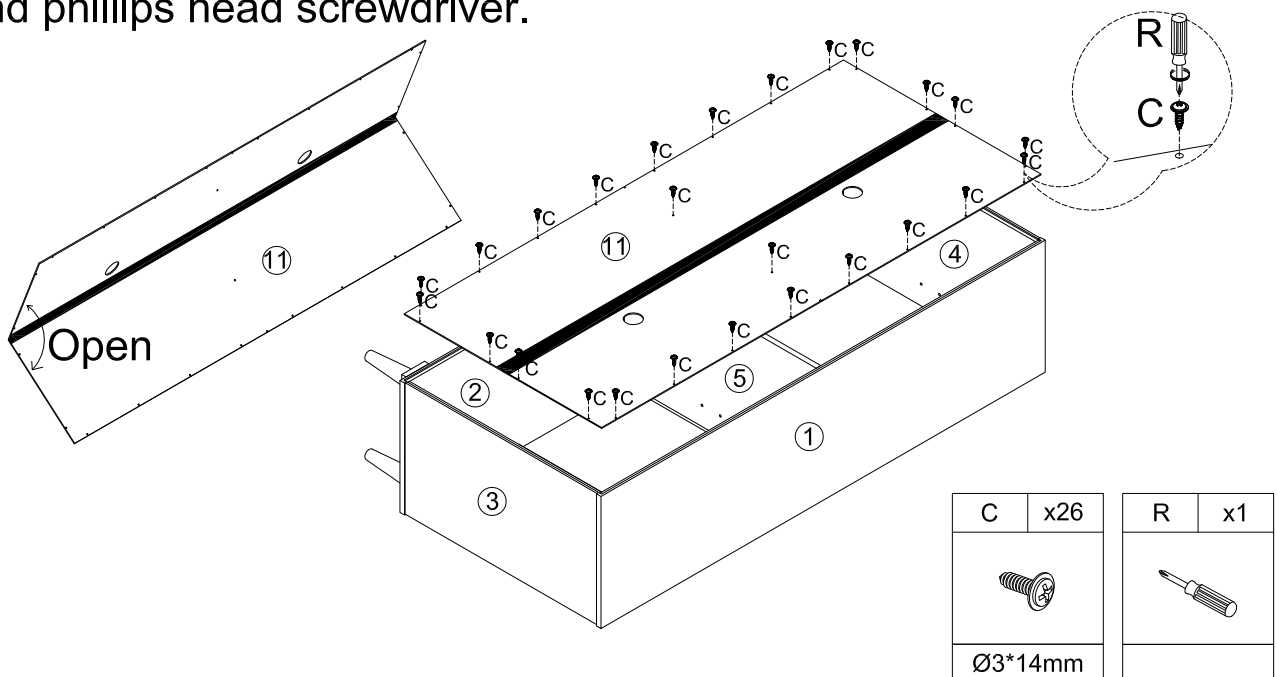


STEP 5

Prepare the parts 11.

Open the back panel 11 at 180 degrees.

Attach back panel 11 to assembled unit 1, 2, 3, 4, 5 using screws C and phillips head screwdriver.

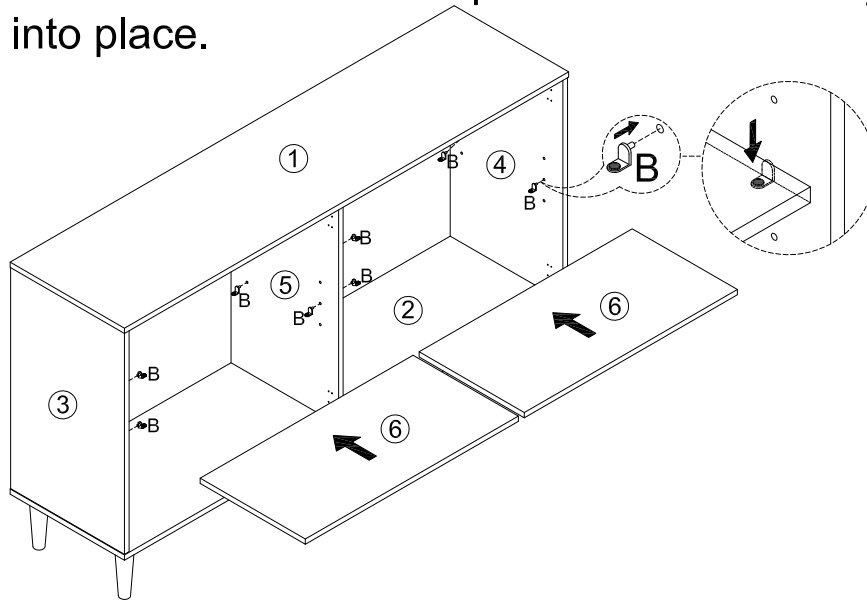



ASSEMBLY INSTRUCTLONS

STEP 6

Prepare the parts 6.

Place shelf holders B into desired position and slide adjustable shelves 6 into place.



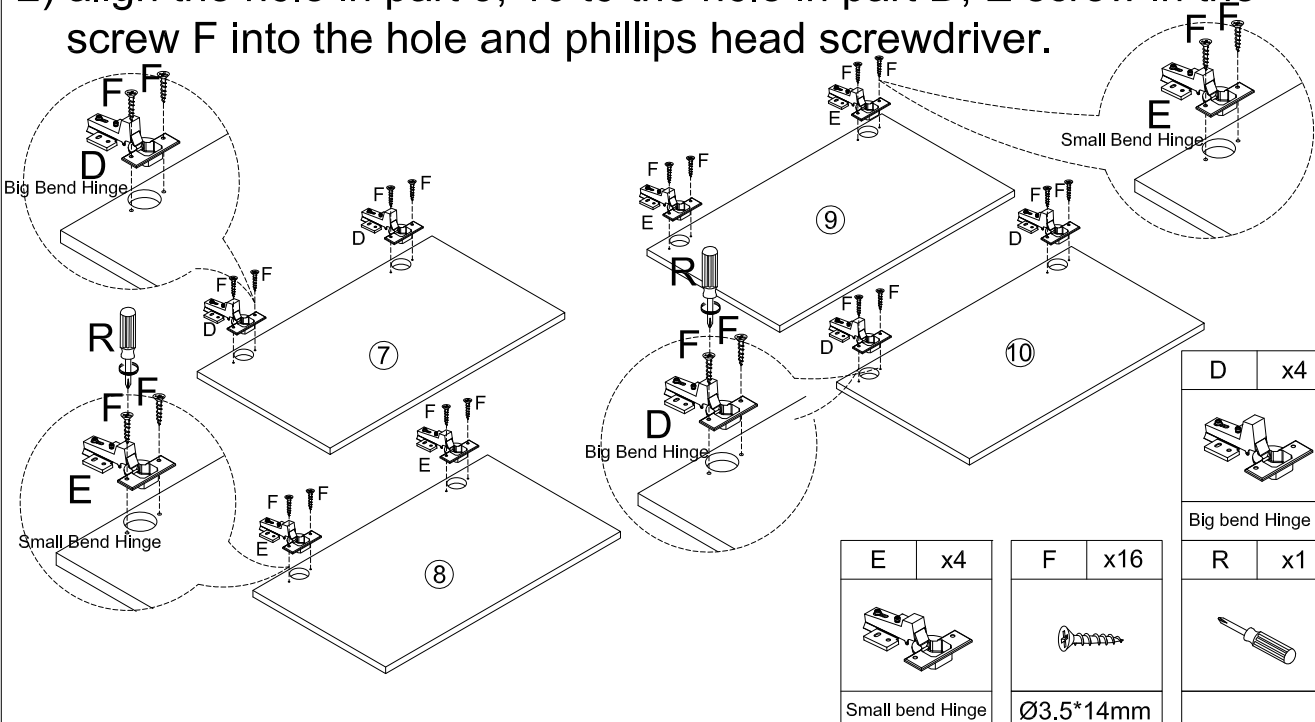
B	x8
	

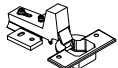
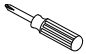
STEP 7

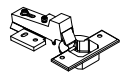
Prepare the parts 7, 8, 9, 10.

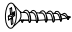
1) align the hole in part 7, 8 to the hole in part D, E screw in the screw F into the hole and phillips head screwdriver.

2) align the hole in part 9, 10 to the hole in part D, E screw in the screw F into the hole and phillips head screwdriver.



D	x4
	
Big Bend Hinge	
R	x1
	

E	x4
	
Small bend Hinge	

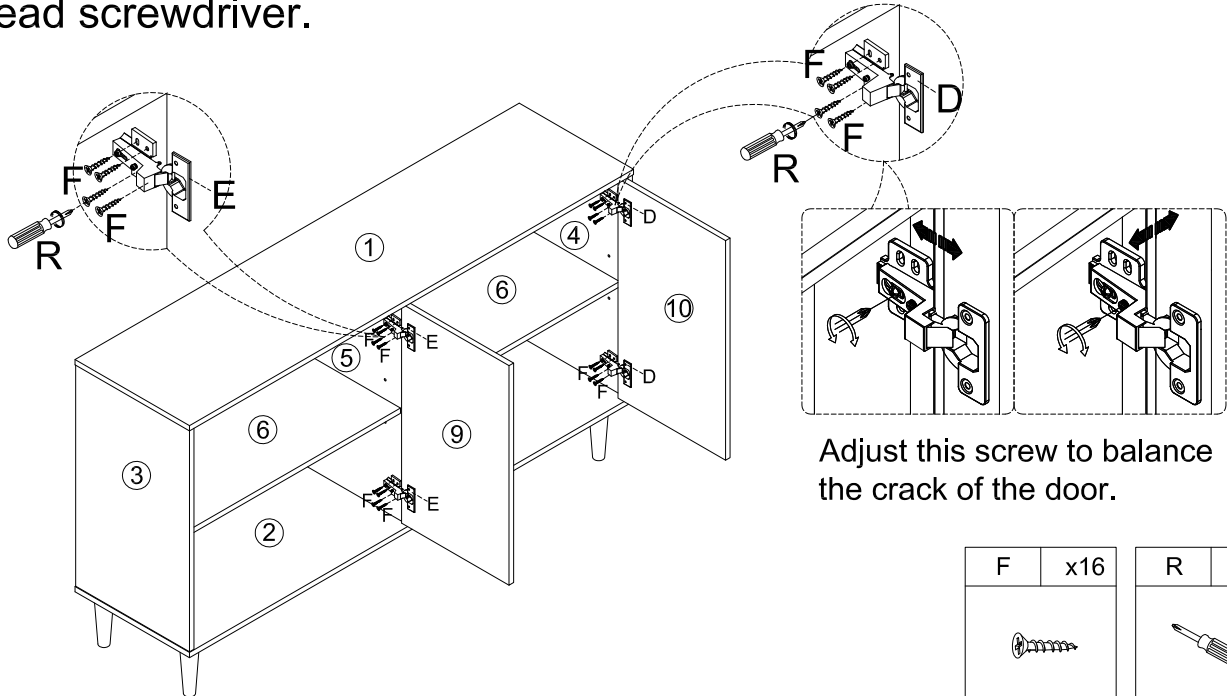
F	x16
	
Ø3.5*14mm	

ASSEMBLY INSTRUCTLONS

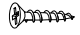
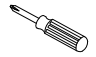
STEP 8

Prepare the parts 9, 10.

Attach right doors 9, 10 to panels 4, 5 using screws F and phillips head screwdriver.



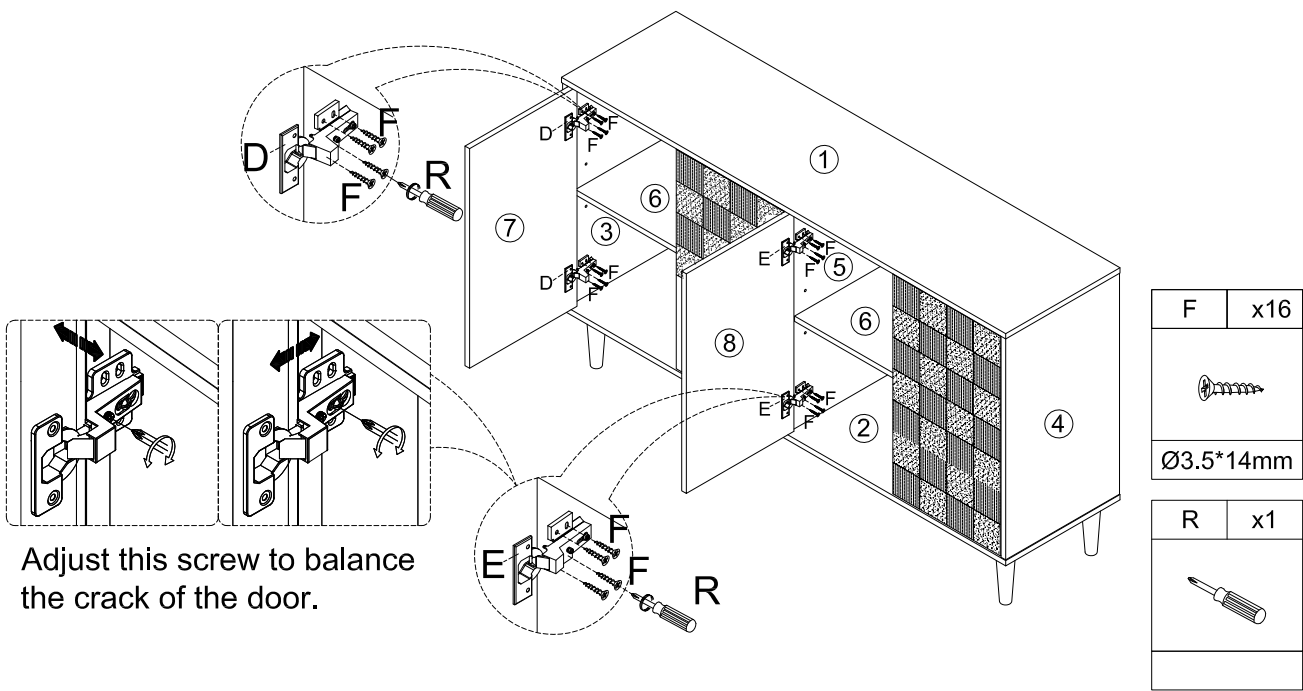
Adjust this screw to balance the crack of the door.

F	x16	R	x1
			
Ø3.5*14mm			

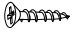
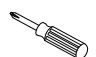
STEP 9

Prepare the parts 7, 8.

Attach right doors 7, 8 to panels 3, 5 using screws F and phillips head screwdriver.



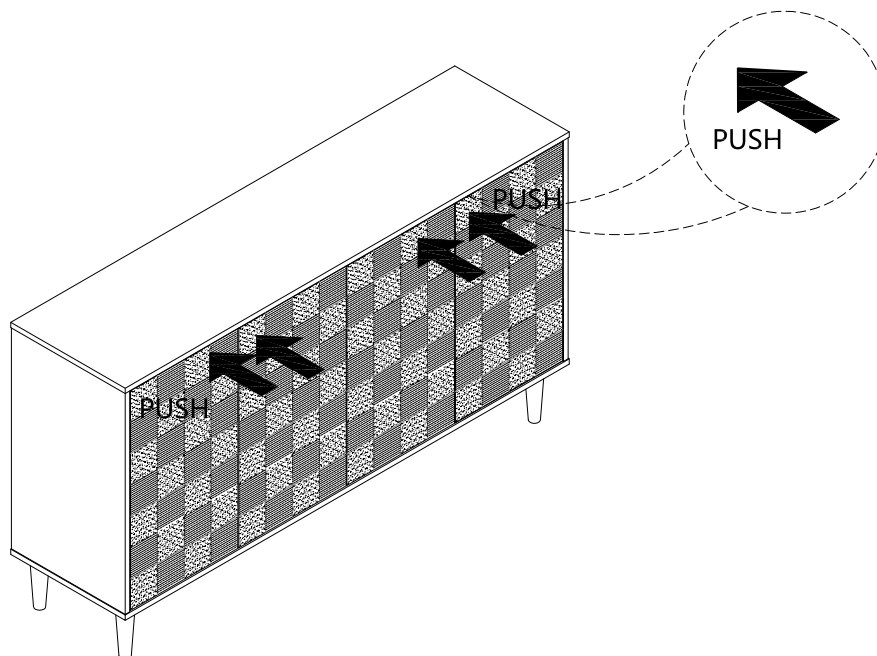
Adjust this screw to balance the crack of the door.

F	x16	R	x1
			
Ø3.5*14mm			

ASSEMBLY INSTRUCTLONS

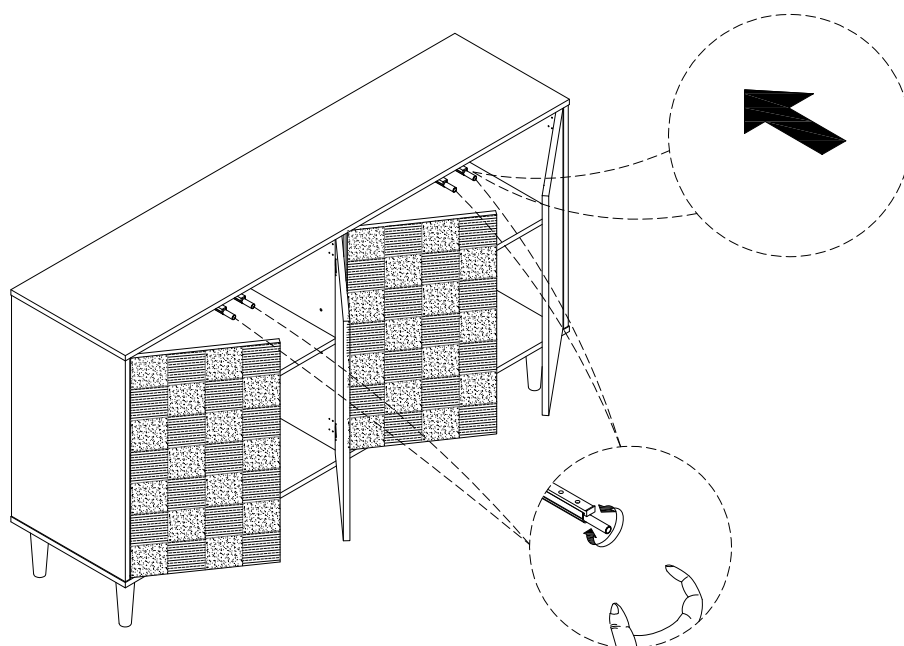
STEP 10

Please press on the picture, the door will spring open automatically.



STEP 11

Hardware can adjust the front and back distance of the door panel, please refer to the diagram.

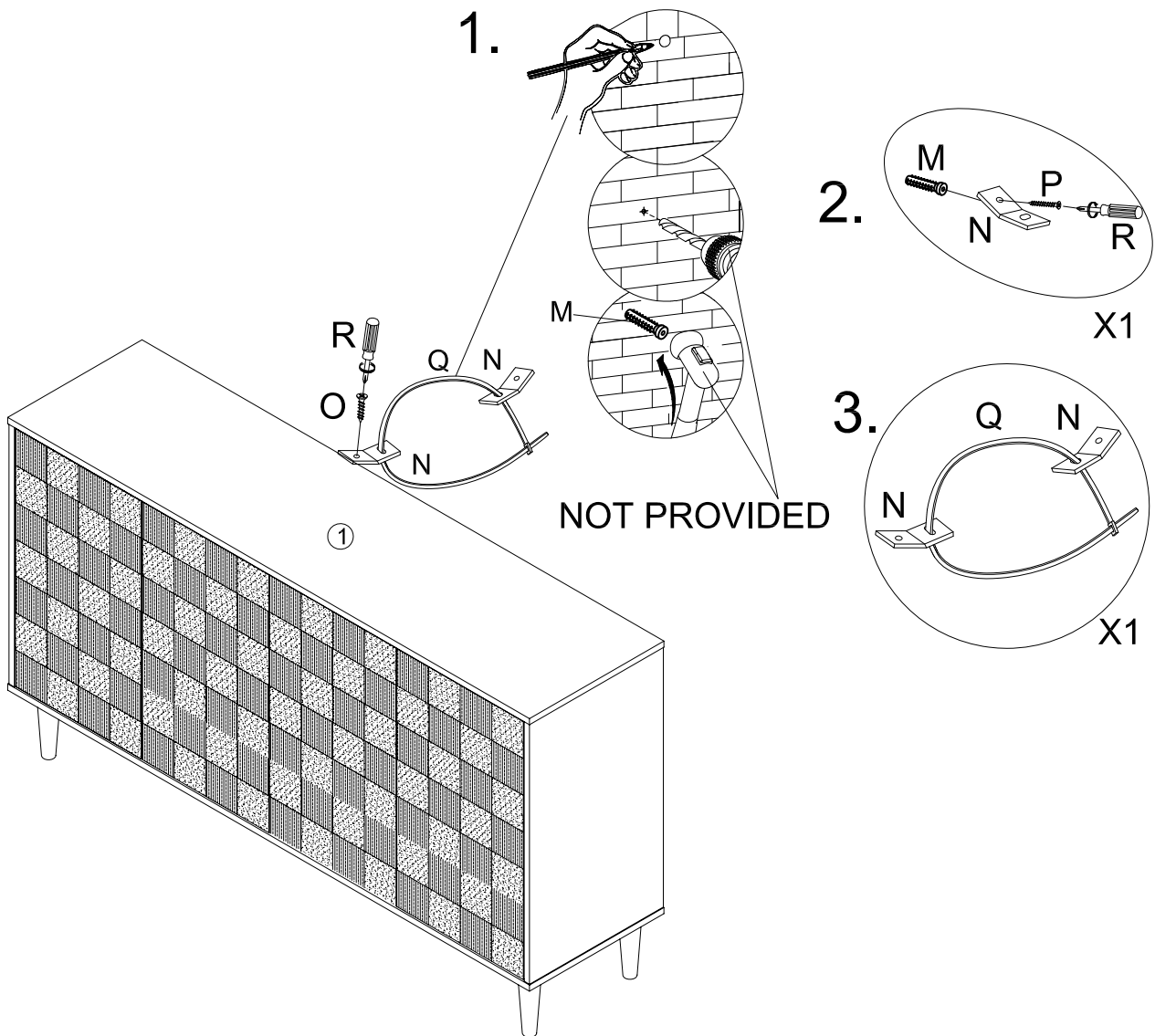



ASSEMBLY INSTRUCTLONS


STEP 12


Install the anti-collapse device.


1. Mark the position on the wall, this should be same as the position of N where are on the back of panel 1; Drilled and insert the expandable screw M by hammer;
2. Assemble the part N on the wall. Align the hole in the part N to the expandable screw M, Screw in screw P and tighten with screwdriver R.
3. let the plastic belt Q go through the both N and pull to tighten.




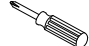
M	x1
	
Ø3*15mm	

N	x2
	

O	x1
	
Ø3*15mm	

P	x1
	
Ø3*38mm	

Q	x1
	
Safety Wall Strap	

R	x1
	

WARRANTY

We strive to offer high-quality products, and we also try our best to satisfy each and every customer that orders from us with product or service as needed. We provide 30 days warranty starting from the time you receive the item. Each customer must provide a record of their order such as the order number, or item receipt for any items that are out of the warranty period you may also still receive replacement parts by purchasing them with our company if they are available.

Are you having difficulty
with assembly? Missing parts?

Please send email with your order No

customerservice@hulalahome.com

For return, Please check the return policy with
the retailer or MarkevPlace you bought from.

Appreciated your purchasing from us..
Pop up your life by our furniture piece!