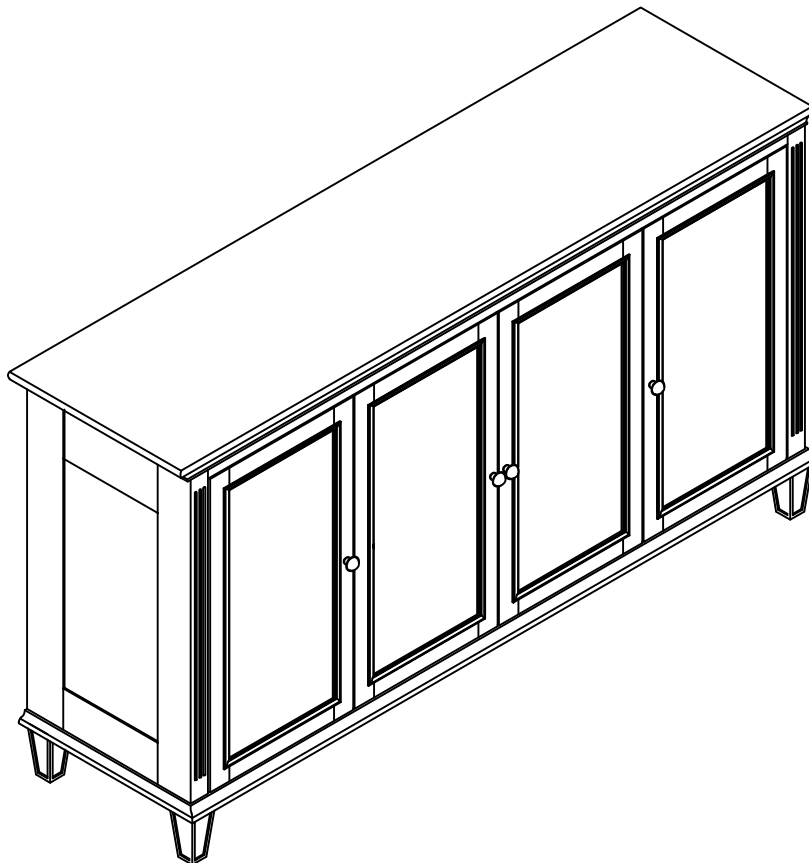


# HULALA

---

## H O M E



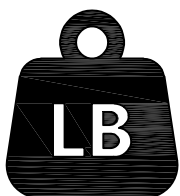
### **ITEM NO.SBYL1019**

#### **NOTE:**

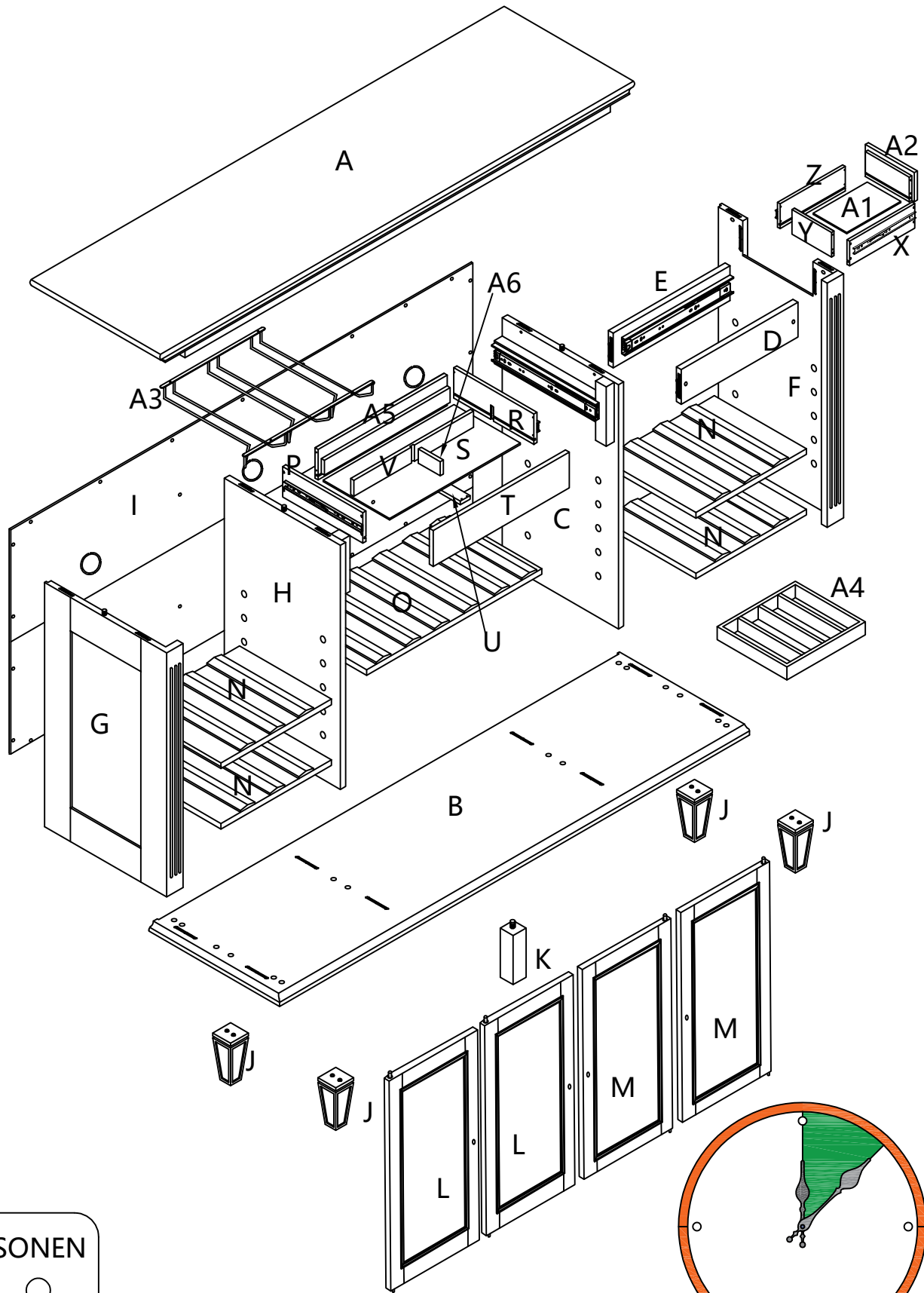
This brochure contains IMPORTANT safety info. Please read and keep for future reference.

# MAINTAINANCE AND WARNING

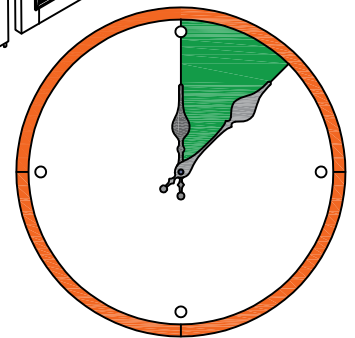
- 1.Keep furniture away from heat sources.
- 2.Do not clean furniture with harsh cleaner or polishes.Do not use detergents,solvents,abrasives,spray packs or leather cleaner. Use non-color mild soap with warm water to clean spills(Mix 1:10 soap to water).
- 3.Do not place furniture under direct sunlight,material will possibly fade over time.
- 4.Do not use on site dry cleaning machine.Children should not climb or jump on the furniture.
- 5.Do not write on furniture that is not protectedby a padded barrier.
- 6.Not for commercial use,only for residential use.



Weight Limitation  
**150 LBS**

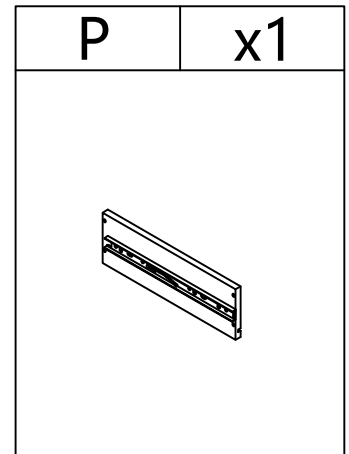
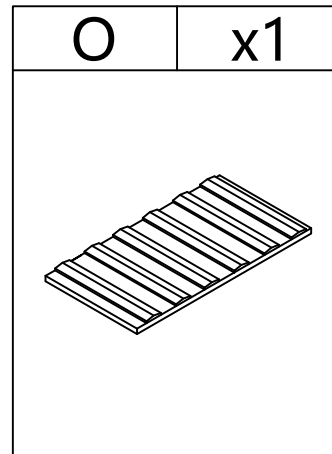
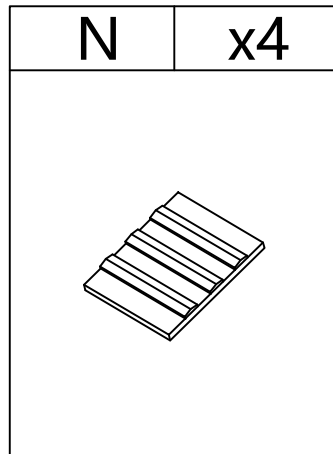
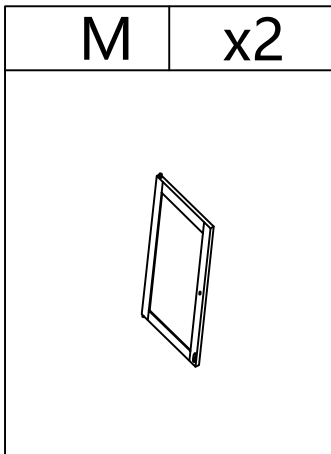
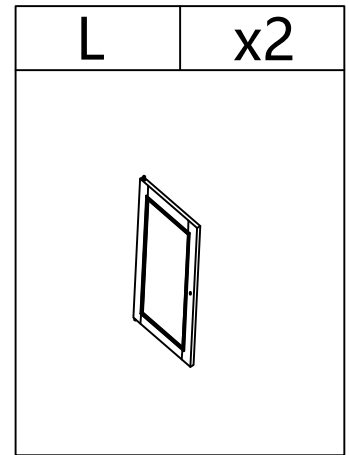
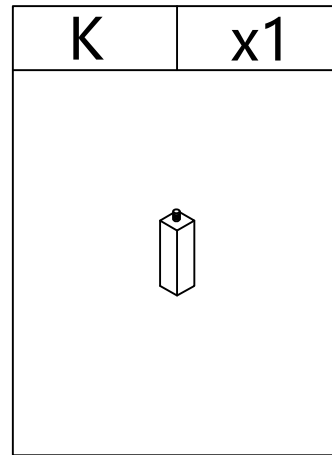
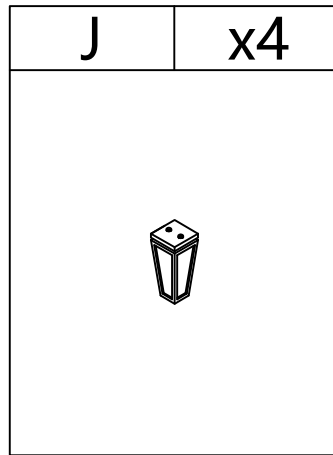
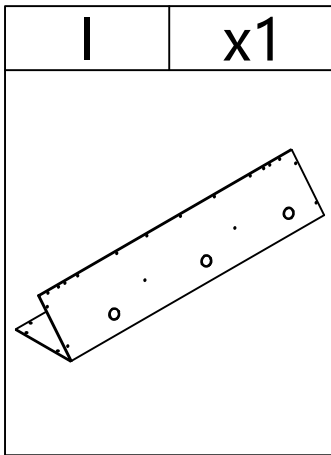
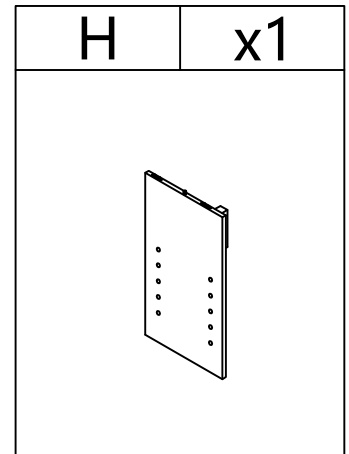
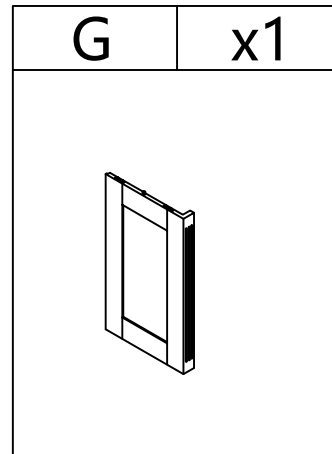
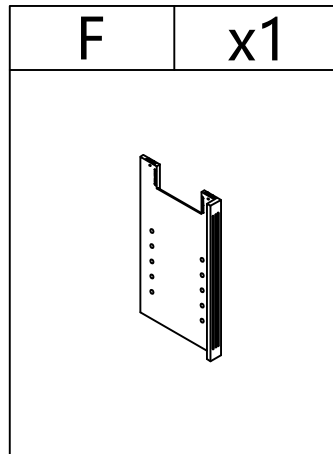
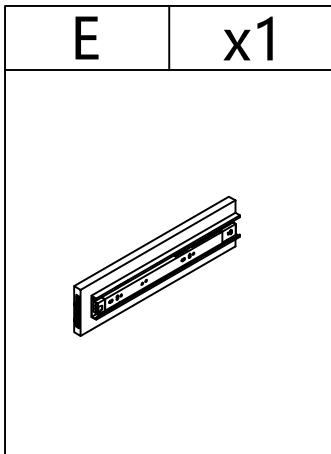
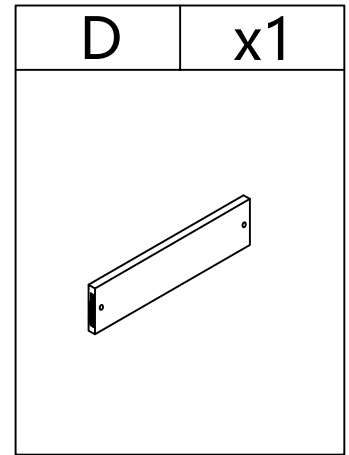
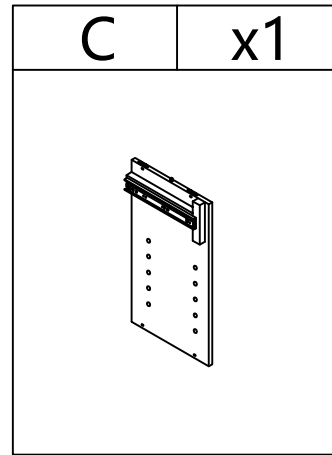
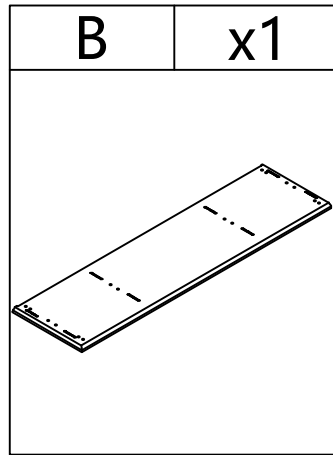
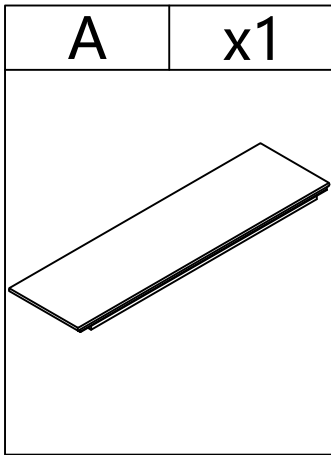


2 PERSONEN

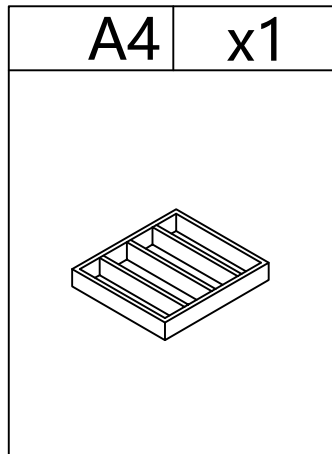
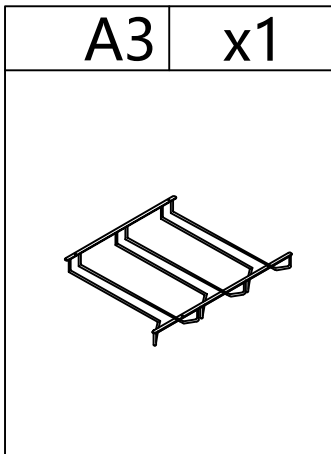
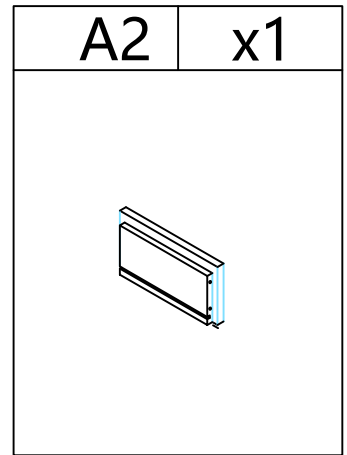
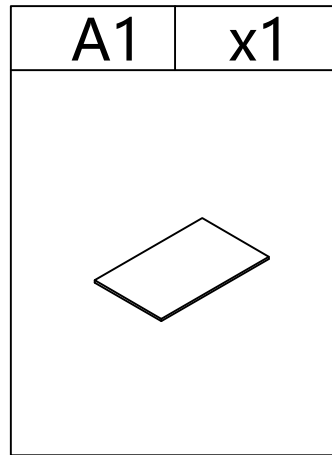
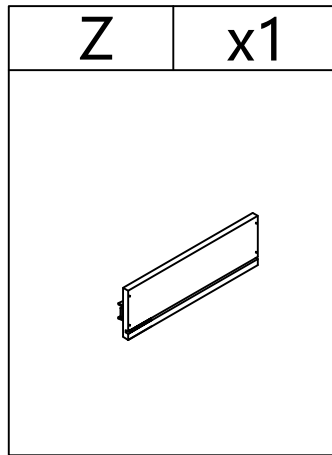
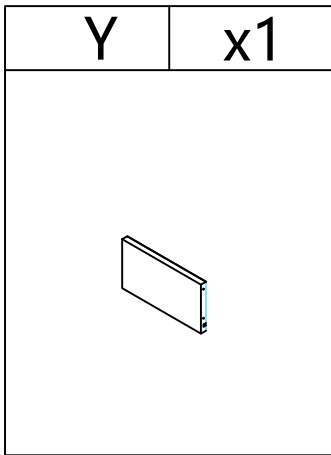
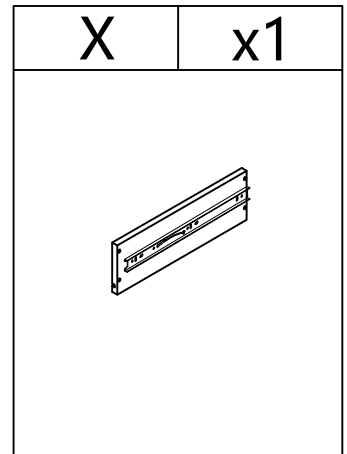
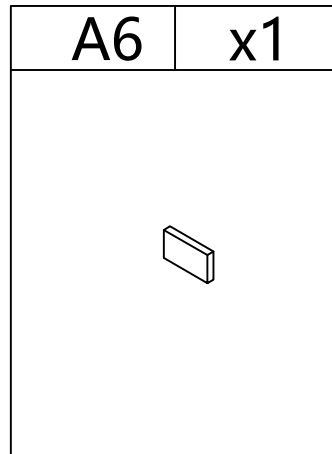
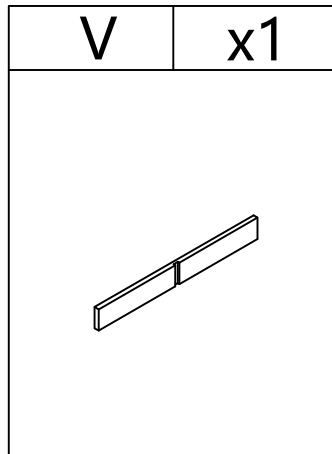
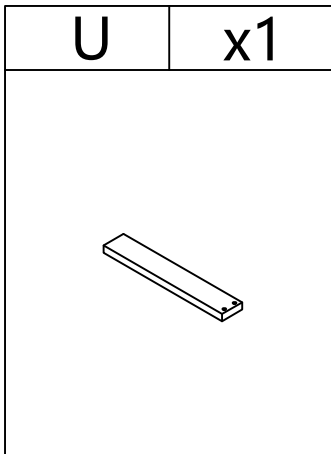
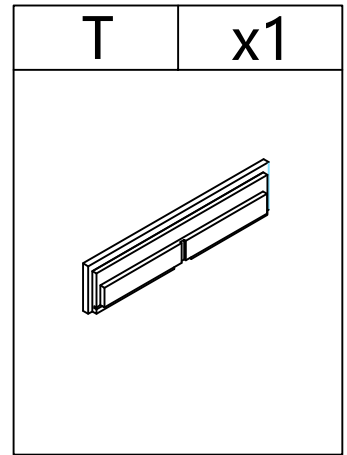
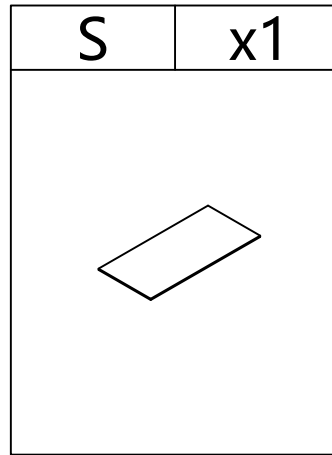
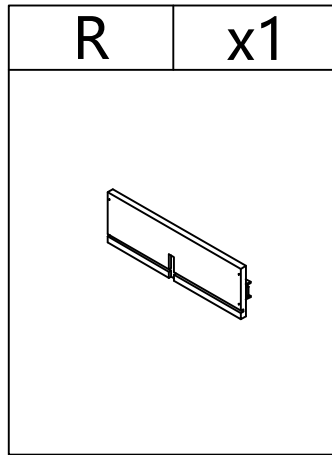
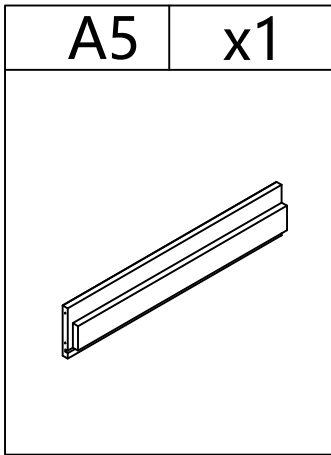


Around 100min






# PARTS LIST



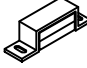
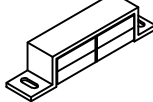
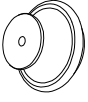






# PARTS LIST



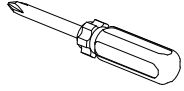
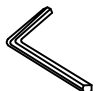
# HARDWARE LIST

1	x4	2	x8	3	x34	4	x4	5	x4
									
φ3*15mm		φ1/4"*58mm		φ3*15mm		φ3*20mm			





6	x20	7	x20	8	x2	17	x1	10	x4
									
		φ4*25mm							

11	x4	12	x4	13	x4	14	x2
							
φ5/32"*18mm				φ4"*38mm		φ4"*38mm	

# TOOL LIST

15	x1	16	x1
			
		1/4"	

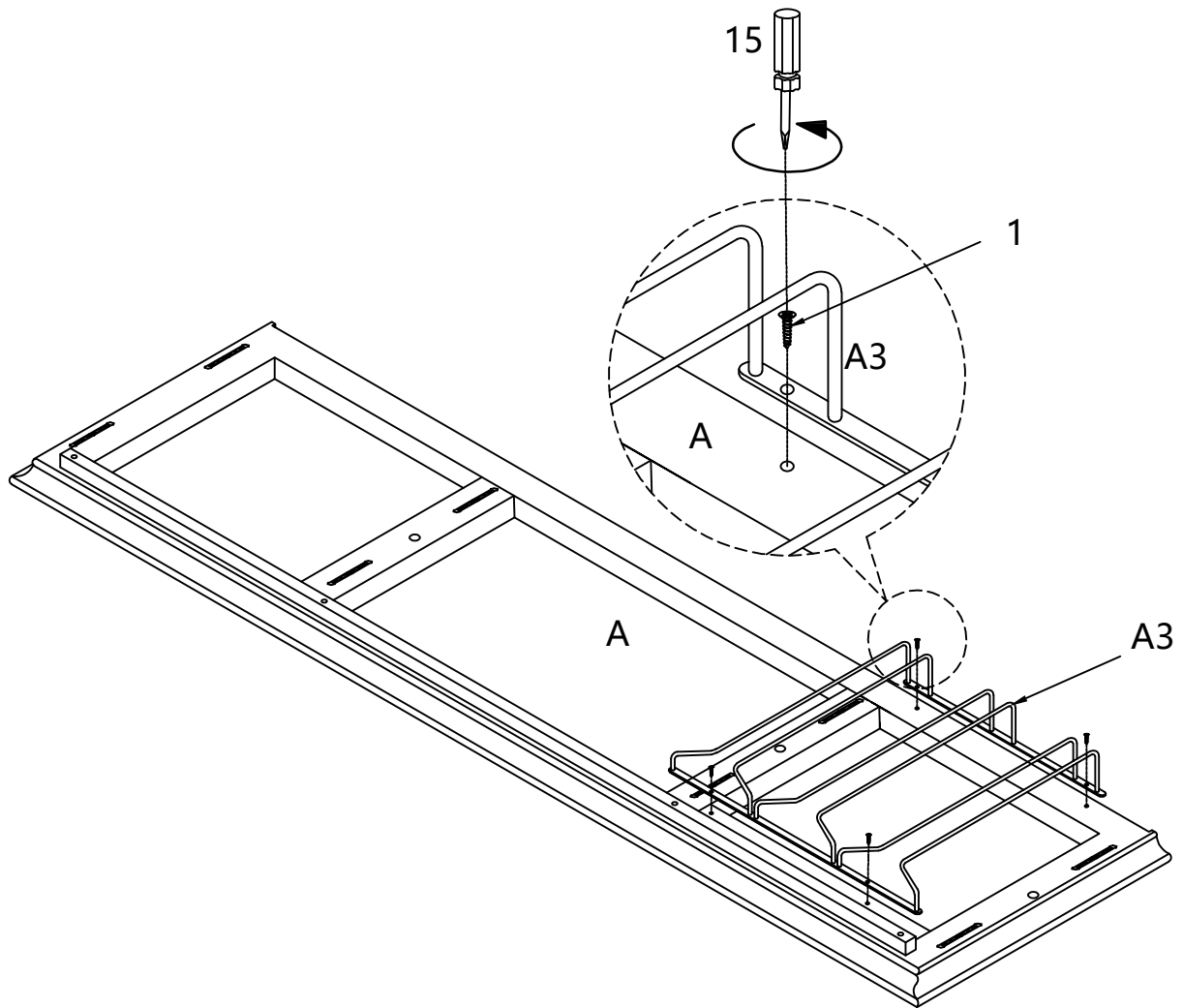
# HARDWARE SPARE LIST

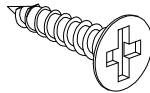
3	x3	2	x1	7	x2	6	x1
							
ø3*15mm		ø1/4"*58mm		ø4"*25mm			

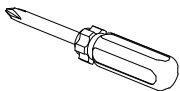
# ASSEMBLY INSTRUCTIONS

## STEP-1

1. Connect part(A3) to part (A) with screw #1, tight screw with screwdriver #15.



1	x4
	
ø3*15mm	

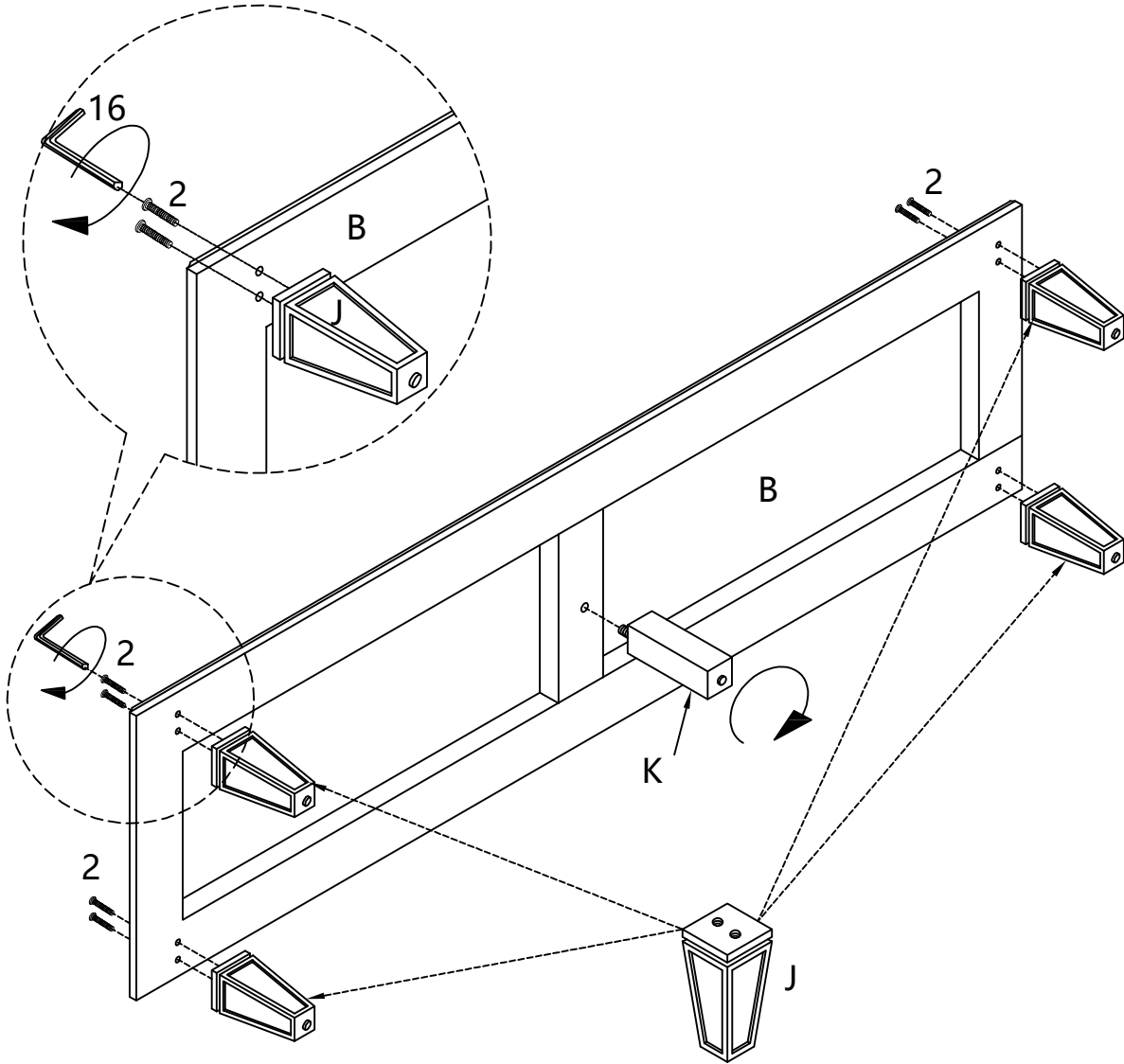
15	x1
	
M5	





# ASSEMBLY INSTRUCTIONS

## STEP-2

1. Connect part(J/K) to part (B) with bolt #2, tight bolt with allen wrench #16..



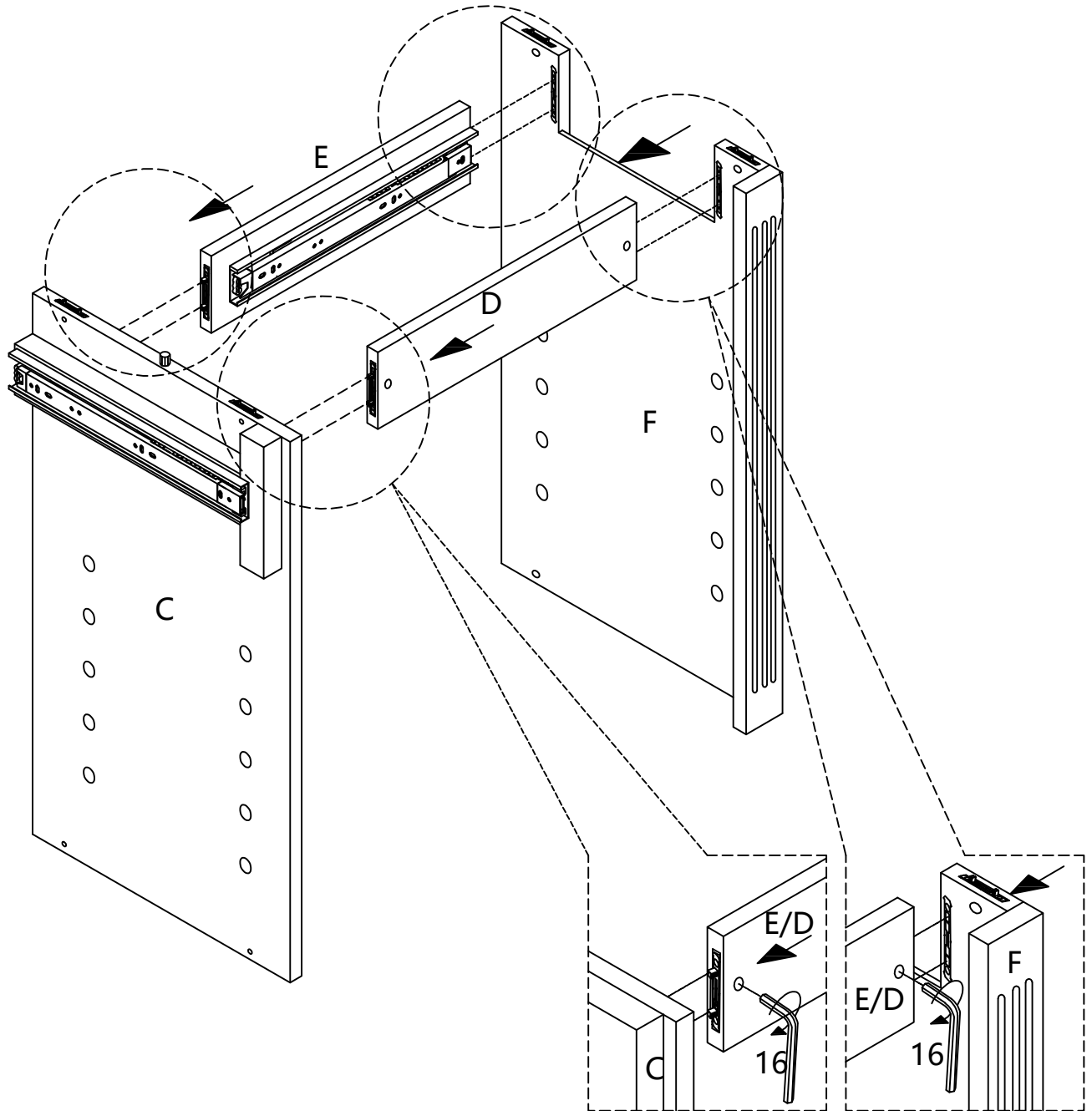
2	x8
	
ø1/4"*58mm	

16	x1
	
M4	

# ASSEMBLY INSTRUCTIONS

## STEP-3

1. Insert the part (D/E) into the corresponding holes in the part(C/F), make sure all the holes line up and tighten it with allen wrench #16 as shown in the picture.

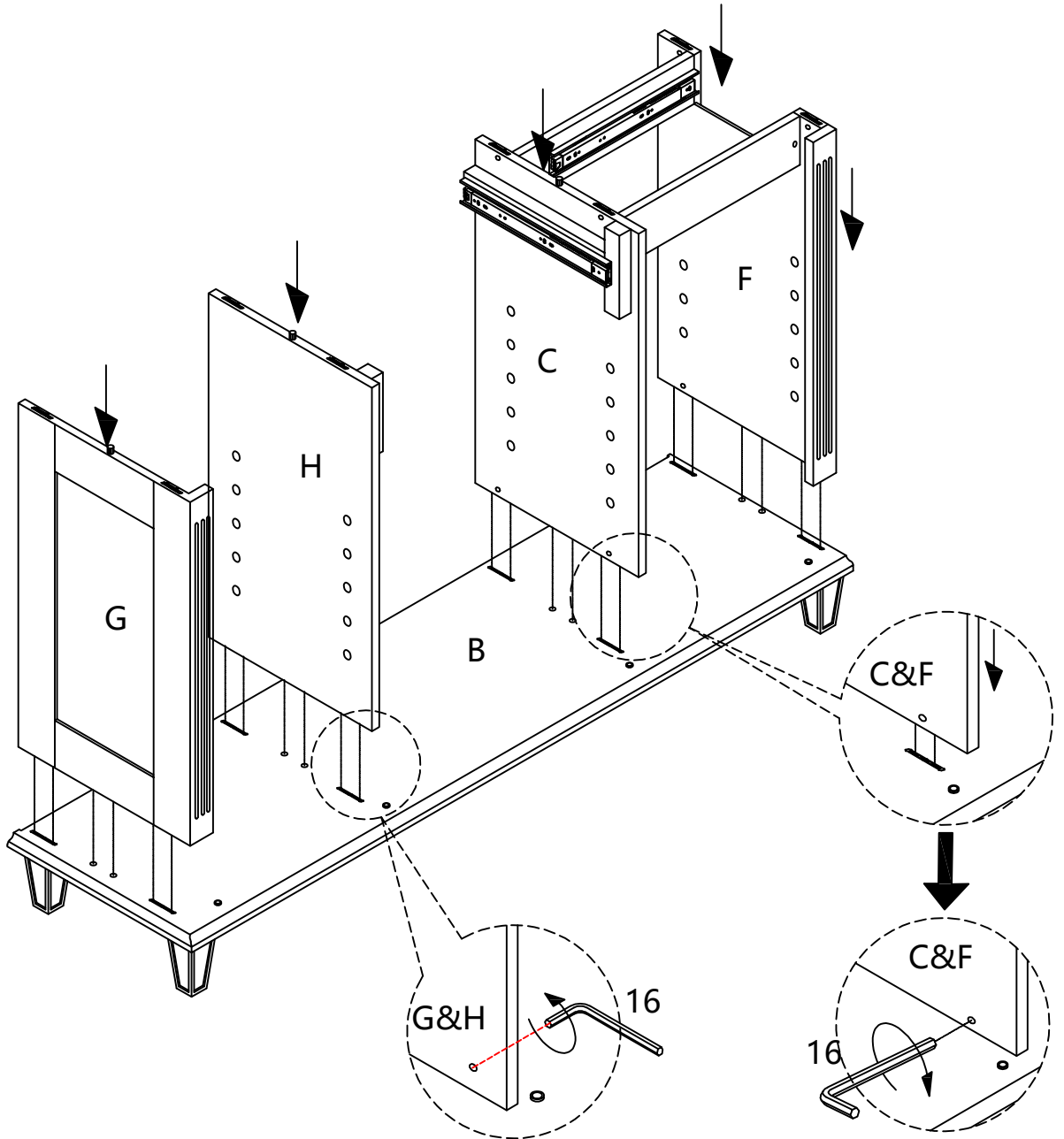


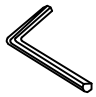
16	x1
M4	

# ASSEMBLY INSTRUCTIONS

## STEP-4

1. Insert the part (G/H) and the unit pre-assembled at step 3 into the corresponding holes in the part(B), make sure all the holes line up and tighten it with allen wrench #16 as shown in the picture.

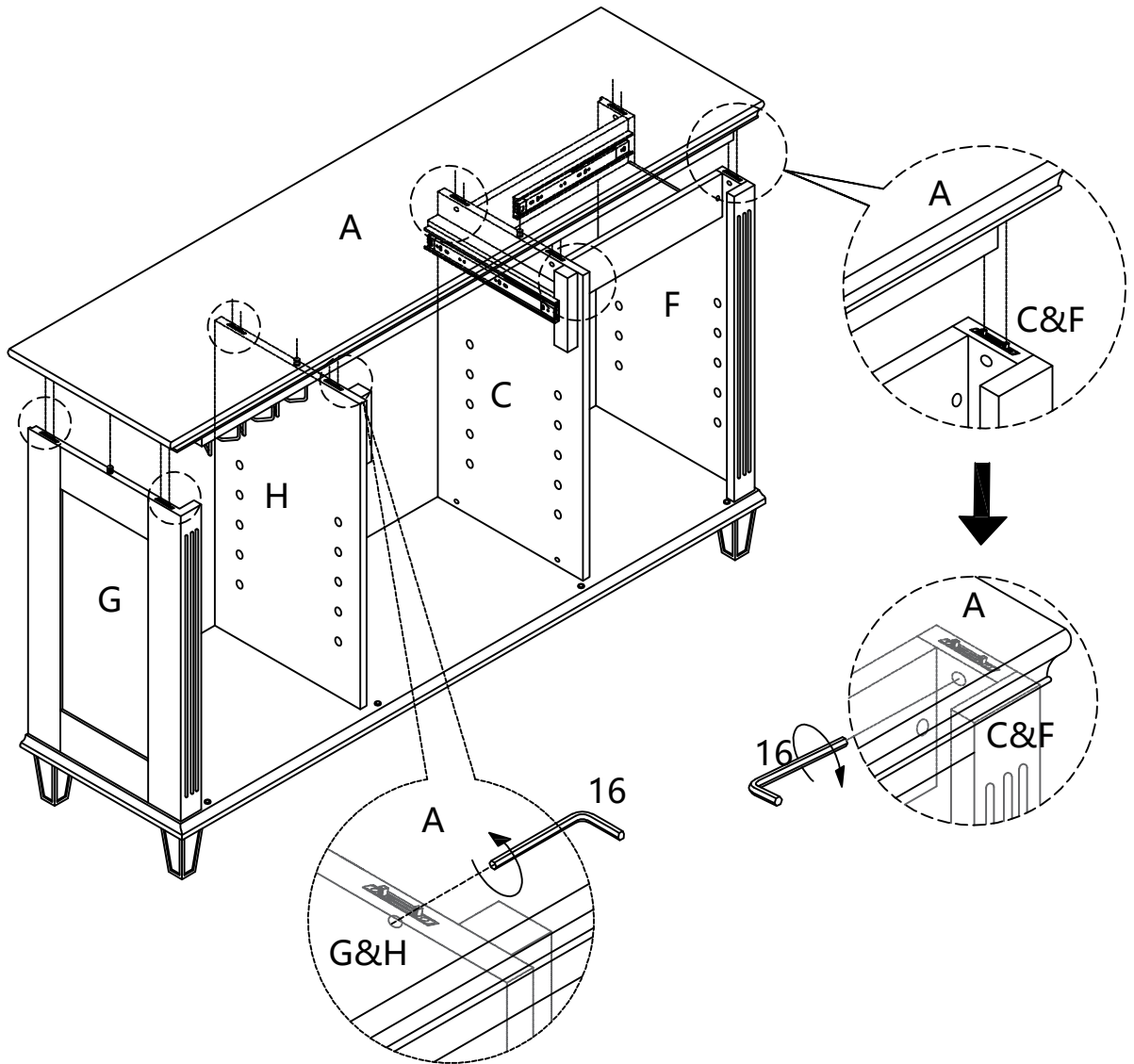


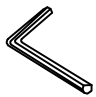
16	x1
	
M4	

# ASSEMBLY INSTRUCTIONS

## STEP-5

1. Insert top panel (A) into the corresponding holes in the unit pre-assembled at step 4, make sure all the holes line up and tighten it with allen wrench #16 as shown in the picture.

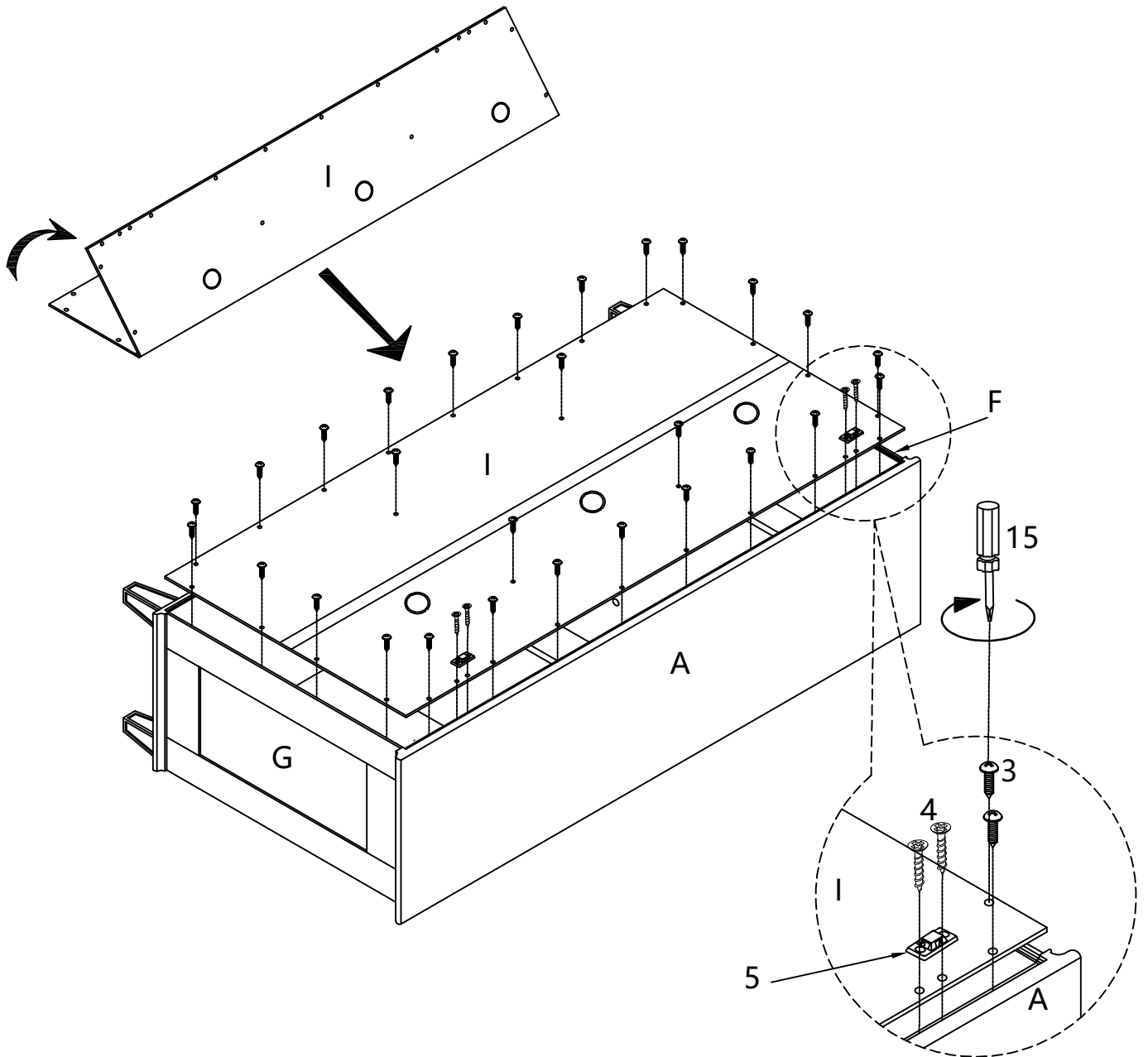


16	x1
	
M4	

# ASSEMBLY INSTRUCTIONS

## STEP-6

1. Insert back panel (I) into the groove of the unit pre-assembled at step 5, make sure all the holes aligned and use screw 3# to attach them, tight screw with screwdriver 15#.

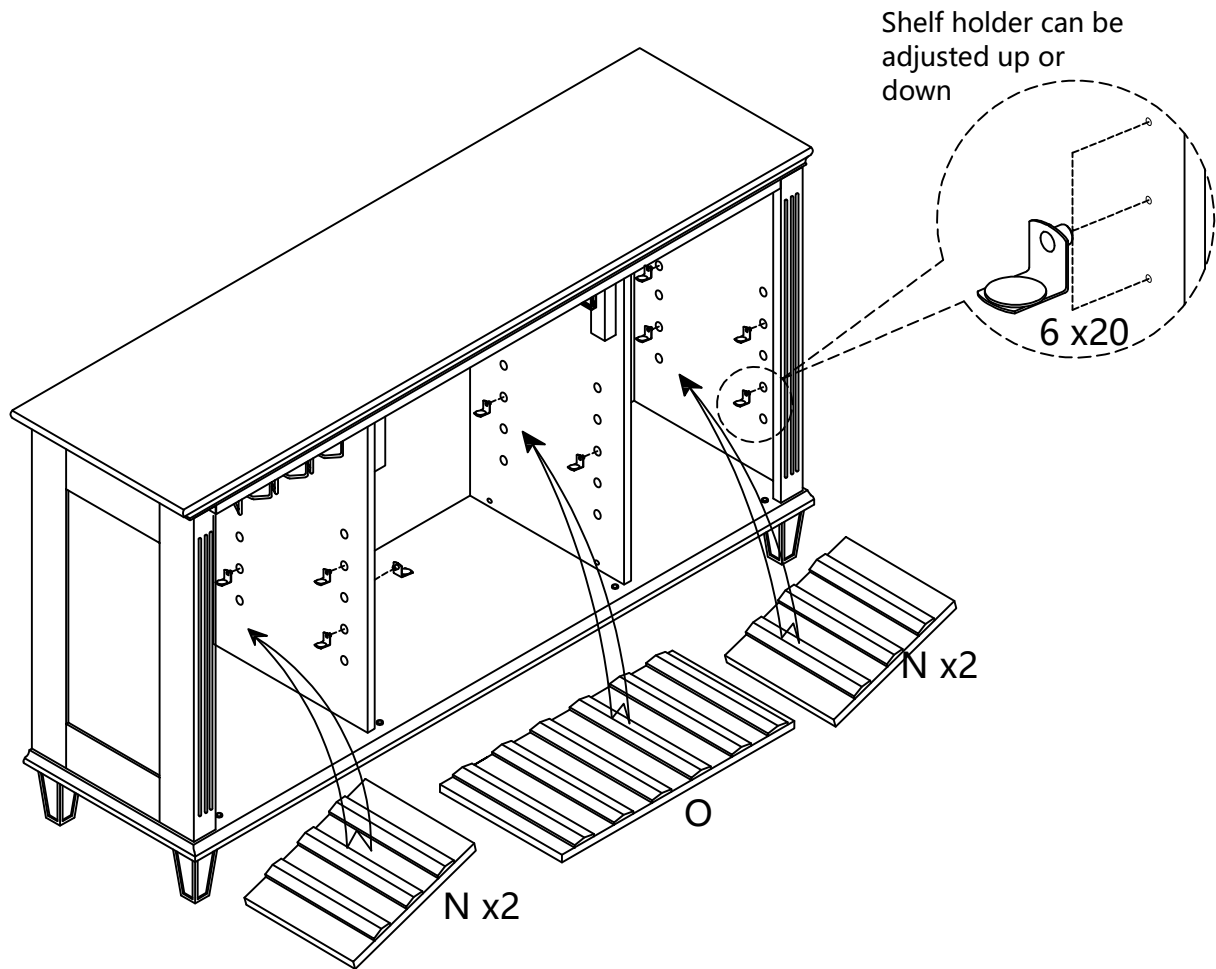


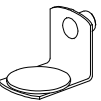
3	x28	4	x4	5	x2	15	x1
$\phi 3 \times 15 \text{mm}$		$\phi 3 \times 20 \text{mm}$					

# ASSEMBLY INSTRUCTIONS

## STEP-7

1. Insert shelf holder 6# to the unit pre-assembled at step 5 and attach the part(N/O) to them.



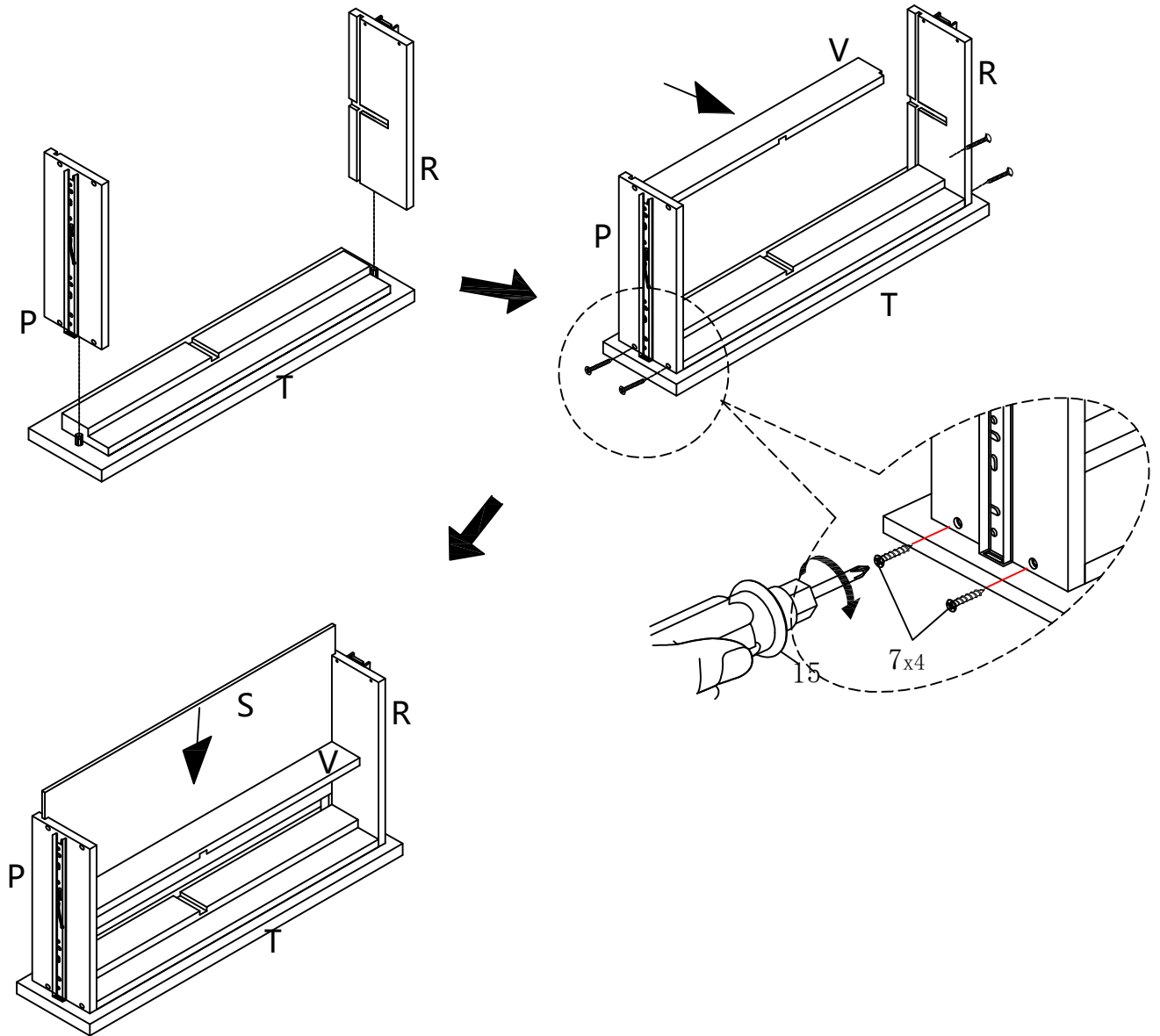
6	x20
	


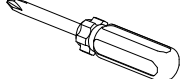
# ASSEMBLY INSTRUCTIONS

## STEP-8

1. Connect part (R/P) to part (T) with screw #7, tight screw with screwdriver #15, slid part(V) to part (R/P). please pay attention to the direction of the groove on the part (V).

2. slid part (S) to part (R/P), make sure it also in the groove of part T).

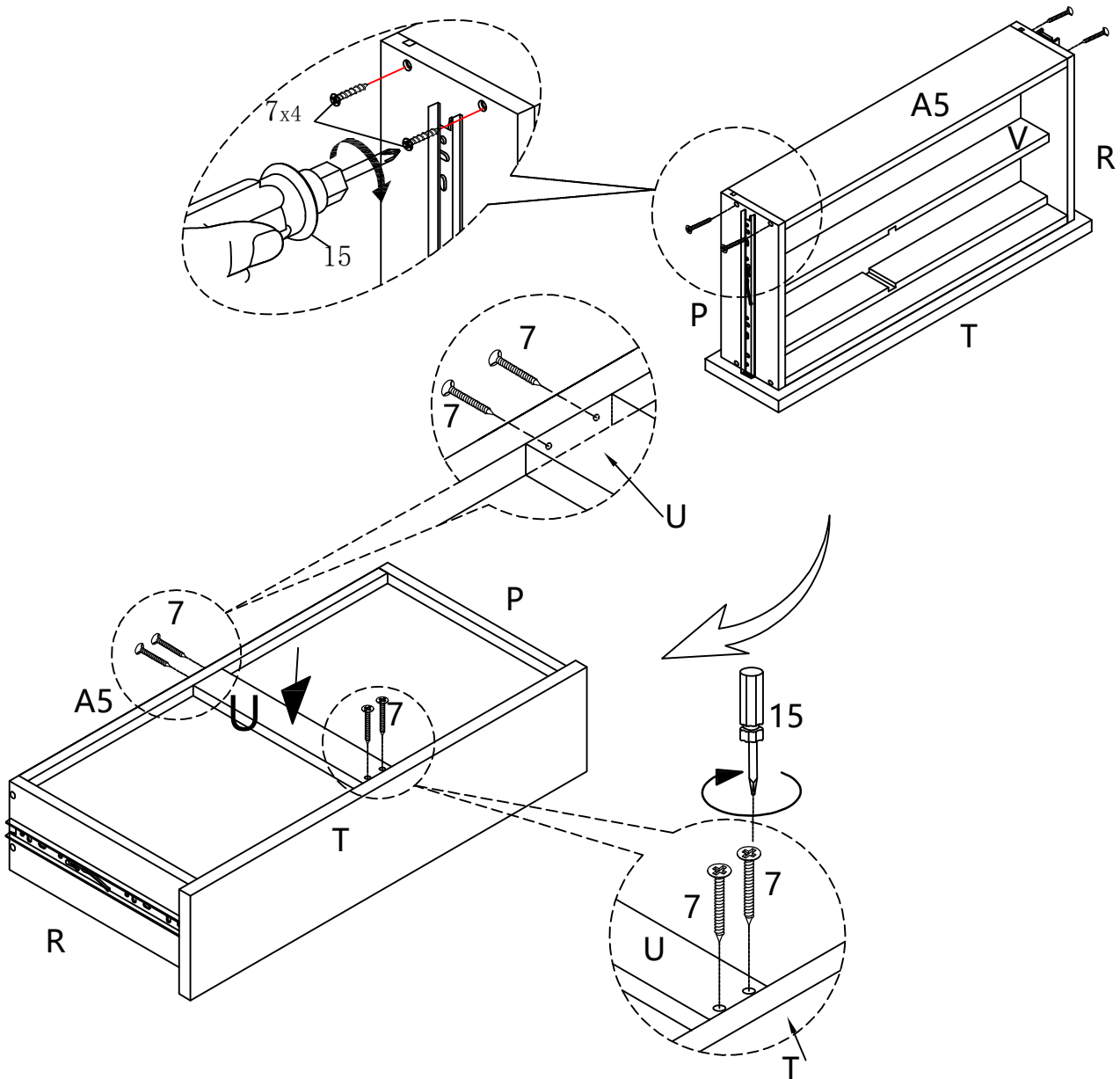



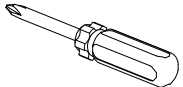
7	x4	15	x1
			
Ø4*25mm			

# ASSEMBLY INSTRUCTIONS

## STEP-9

1. Connect the unit pre-assembled at step 8 to part (A5) with screw #7, tight screw with screwdriver #15, connect part(U) to the drawer bottom with screw #7, tight screw with screwdriver #15.



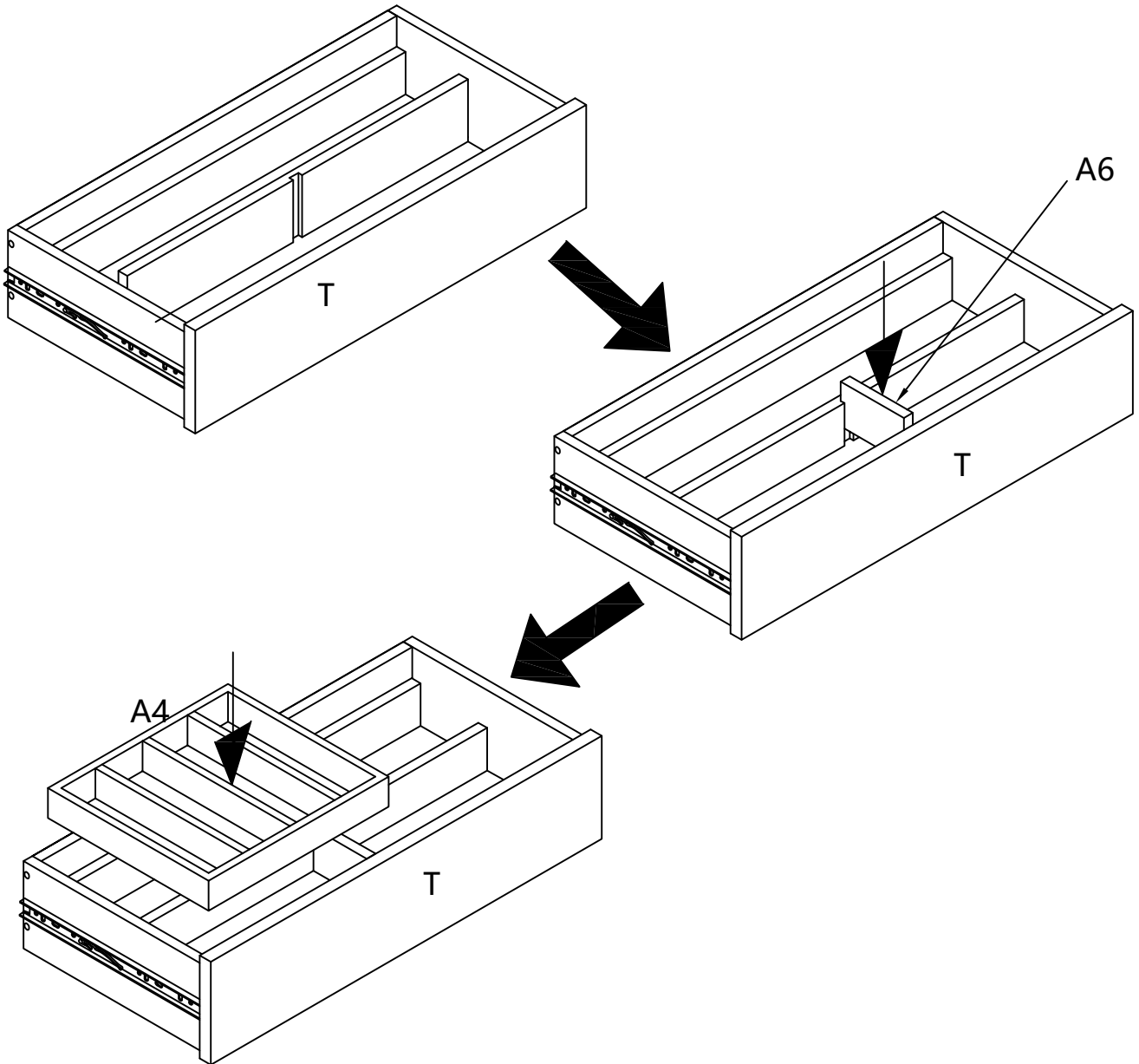
7	x8	15	x1
			
Ø4*25mm			



# ASSEMBLY INSTRUCTIONS

## STEP-10

1. Slide the part (A6) to the drawer as picture, attach the part( A4) to the drawer .



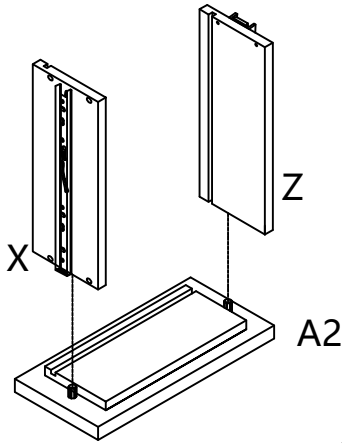
# ASSEMBLY INSTRUCTIONS

## STEP-11

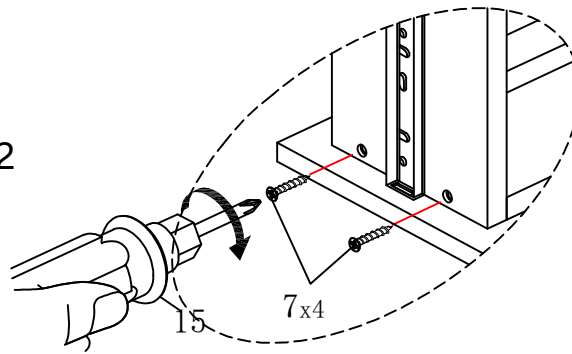
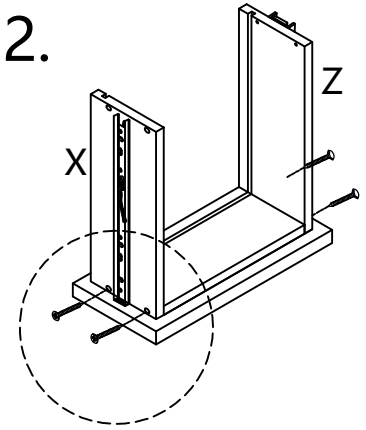
1. Connect part (X/Z) to part (A2) with screw #7, tight screw with screwdriver #15, slid part (A1) to part (X/Z), make sure it also in the groove of part (A2).

connect the part (X/Z) to the part (Y) with screw #7, tight screw with screwdriver #15.

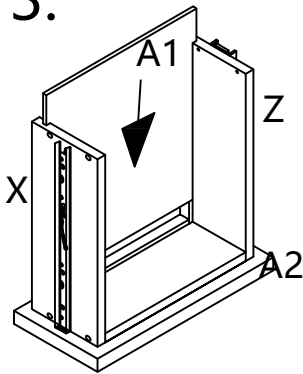
1.



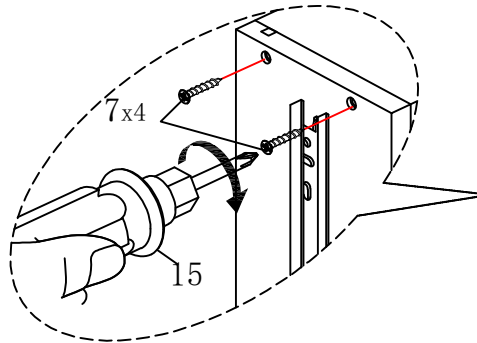
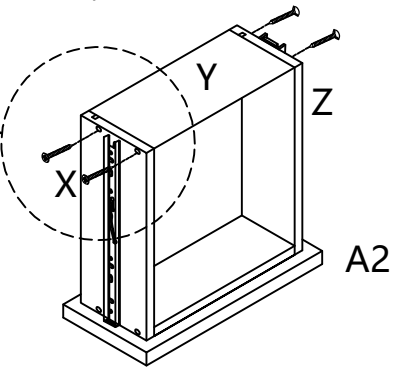
2.




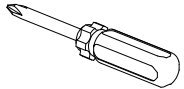
3.



4.



**!**  
Attention: please pay attention to the letter on the drawer side to check left or right

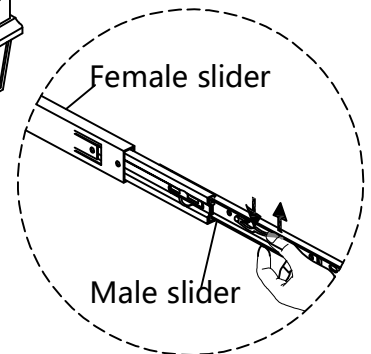
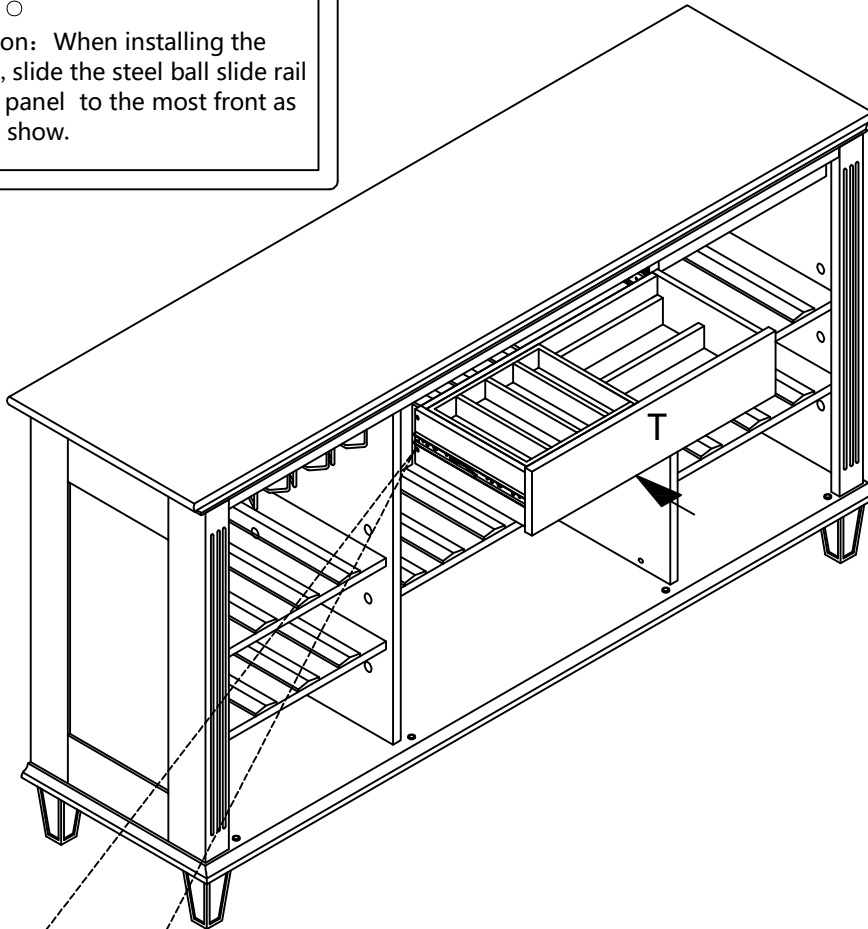
7	x8	15	x1
			
$\phi 4 \times 25 \text{mm}$			

# ASSEMBLY INSTRUCTIONS

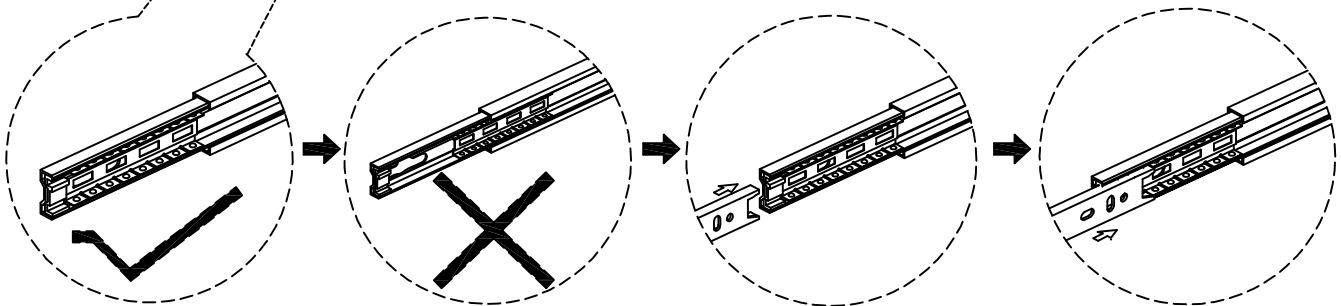
## STEP-12

1. Attache the big drawer to the unit pre-assembled at step 7 .

! Attention: When installing the drawer, slide the steel ball slide rail of side panel to the most front as picture show.



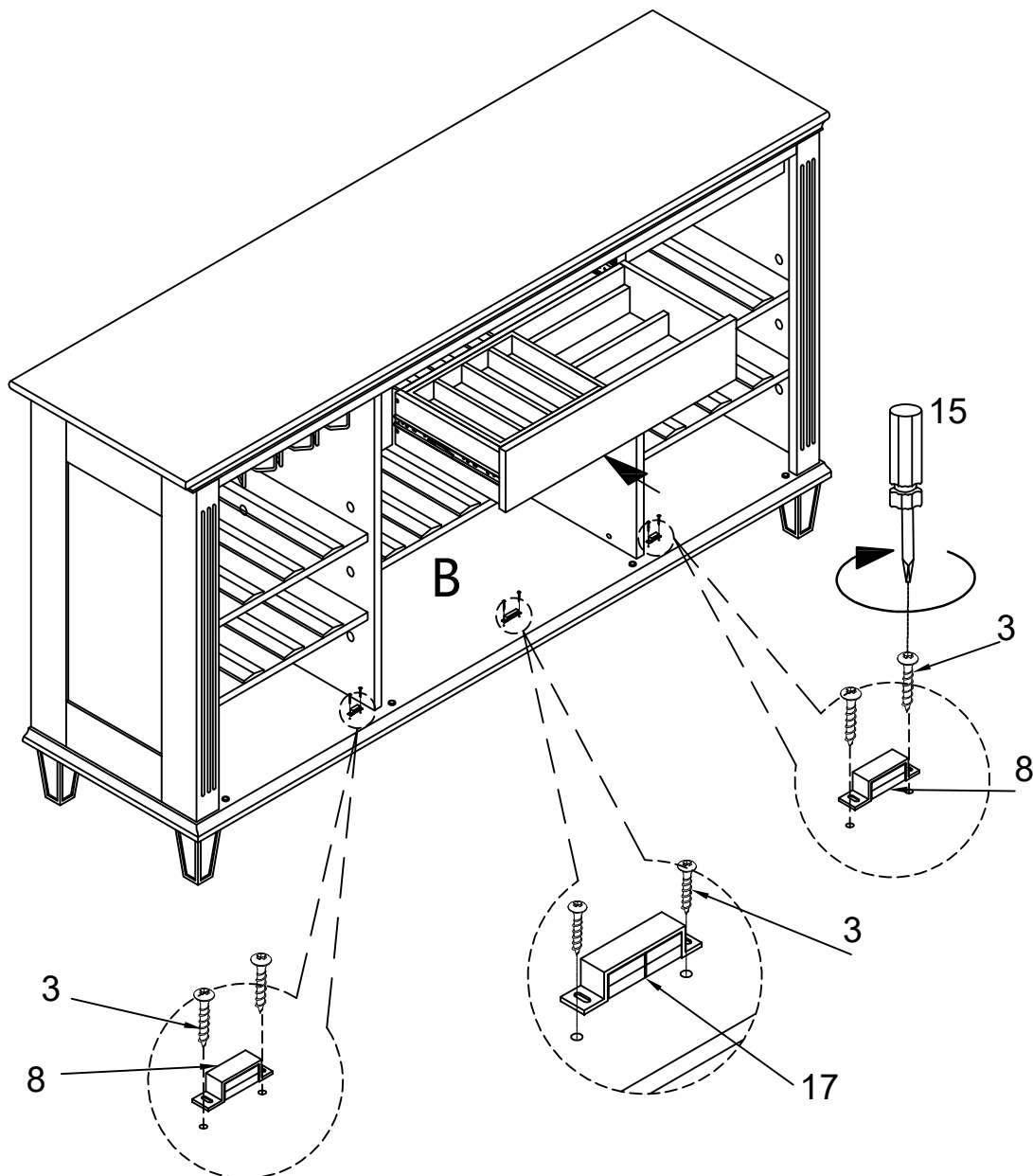
**Schematic diagram of slide rail disassembly**


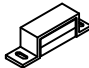
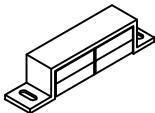
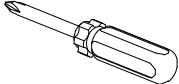


# ASSEMBLY INSTRUCTIONS

## STEP-13

1. Connect the part #8 and #9 to the unit pre-assembled at step 12 with screw #3, tight screw with screwdriver #15.

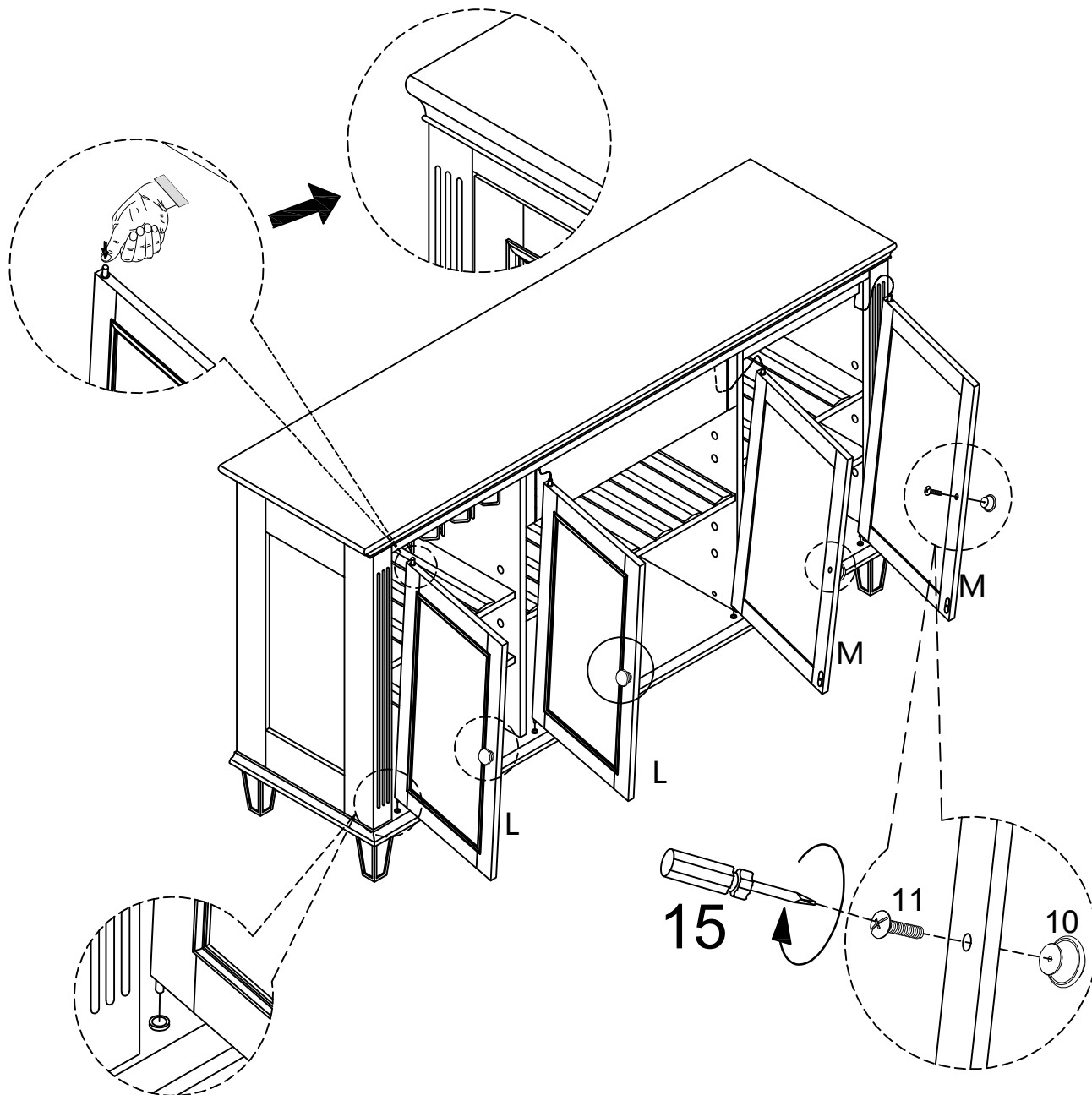


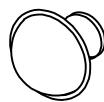
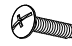
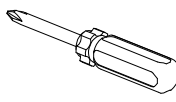
3	x6	8	x2	17	x1	15	x1
							
Ø3*15mm							

# ASSEMBLY INSTRUCTIONS

## STEP-14

1. Connect the part(L/M) to the unit pre-assembled at step 13 as picture, connect the knob #10 to the door with bolt #11, tight bolt with screwdriver #15.



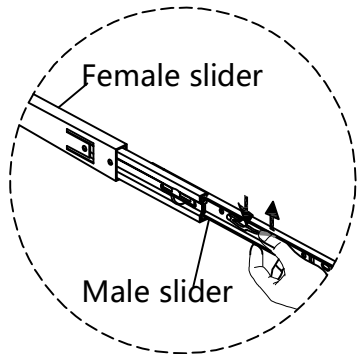
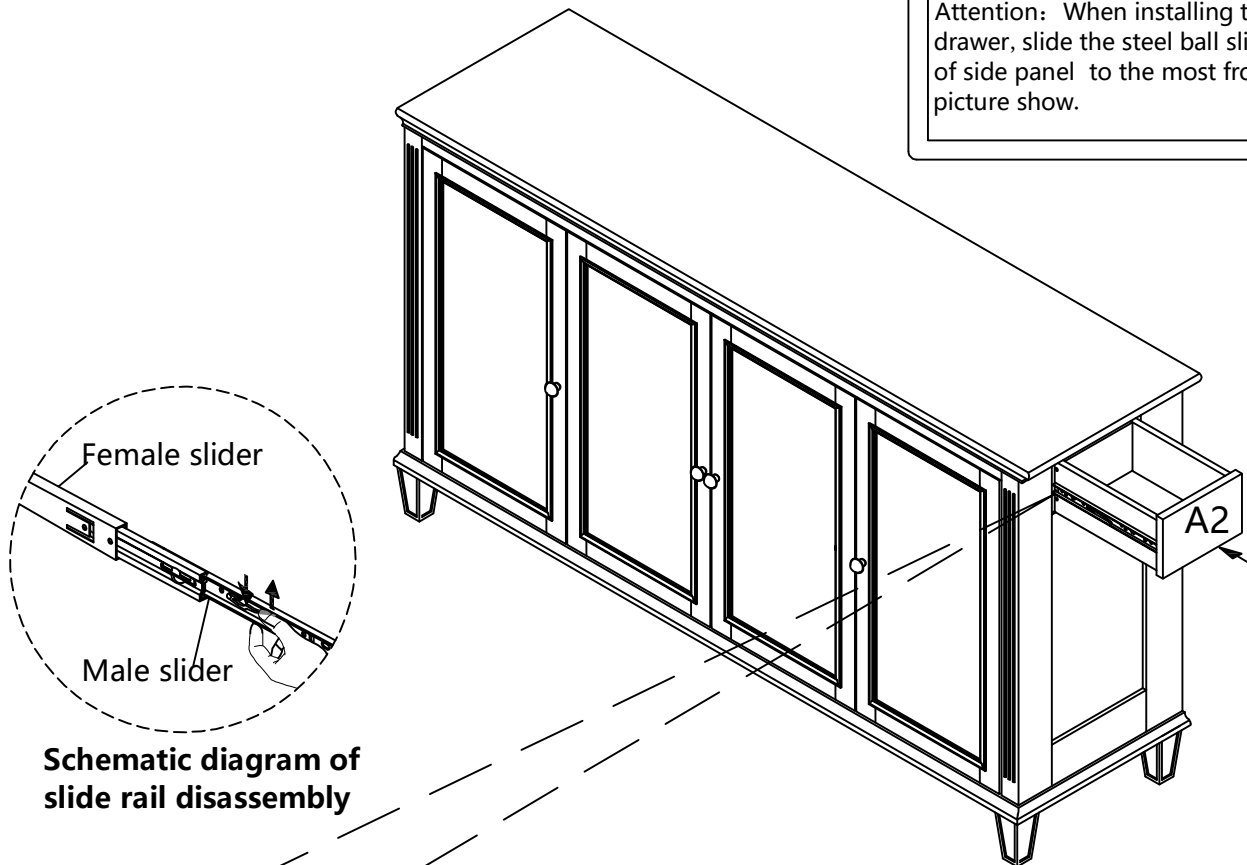
10	x4	11	x4	15	x1
					
		ø5/32"*18mm			

# ASSEMBLY INSTRUCTIONS

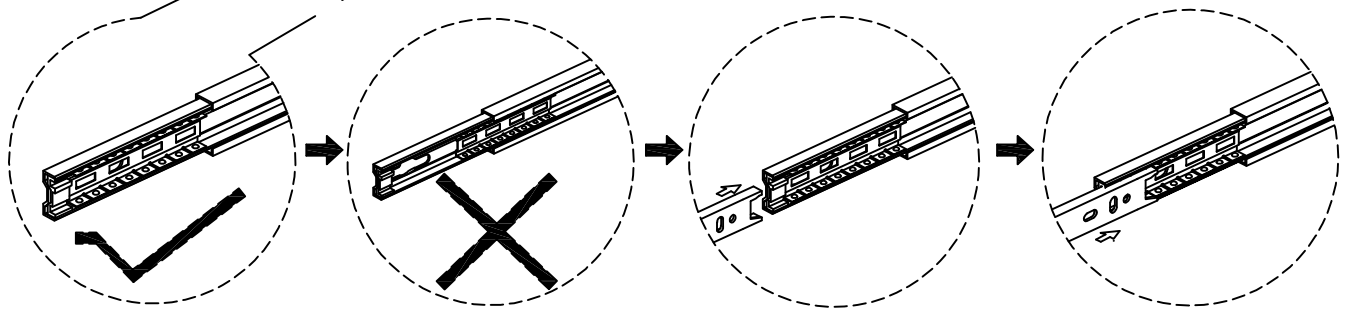
## STEP-15

1. Attache the small drawer to the unit pre-assembled at step 14 .

Attention: When installing the drawer, slide the steel ball slide rail of side panel to the most front as picture show.

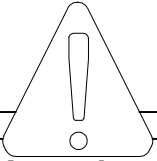


Schematic diagram of slide rail disassembly

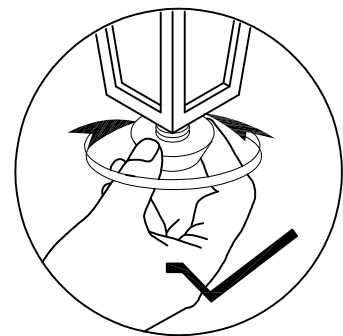
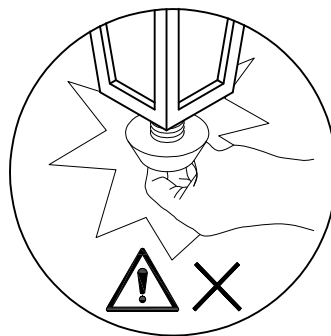
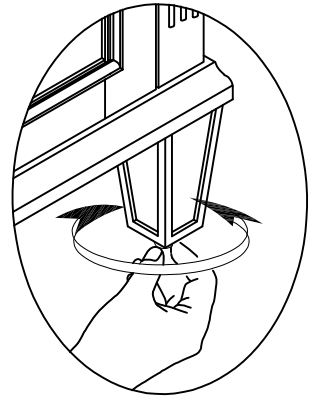
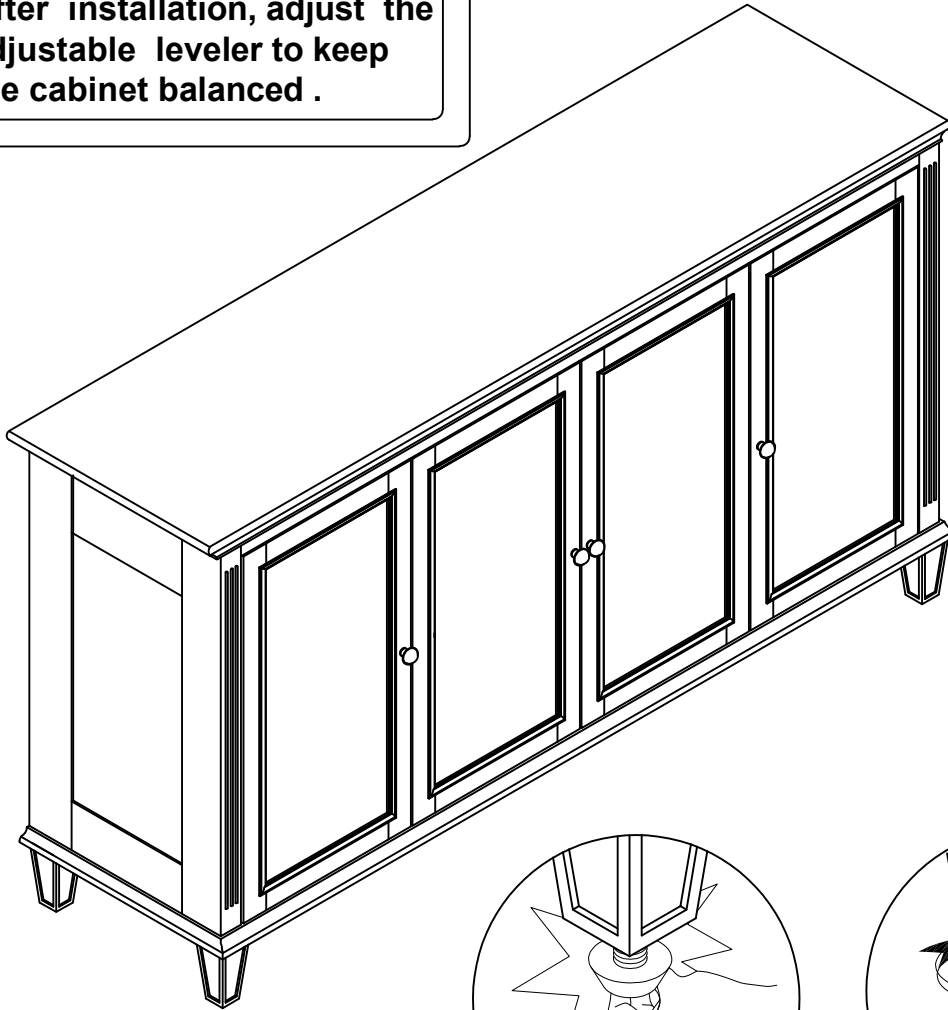


# ASSEMBLY INSTRUCTIONS

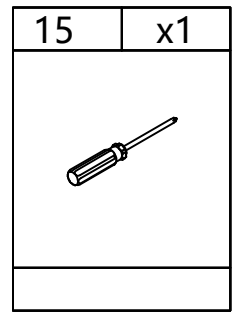
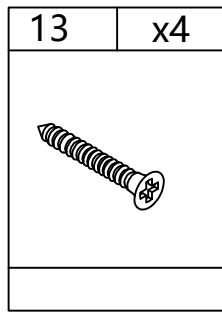
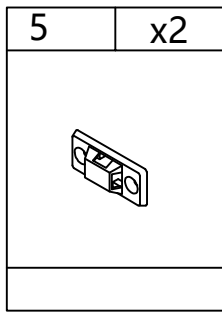
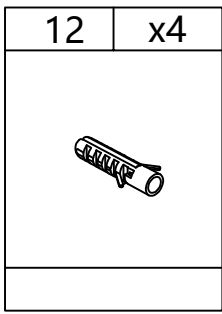
## STEP-16



**Attention:**  
After installation, adjust the adjustable leveler to keep the cabinet balanced .



# ASSEMBLY INSTRUCTIONS

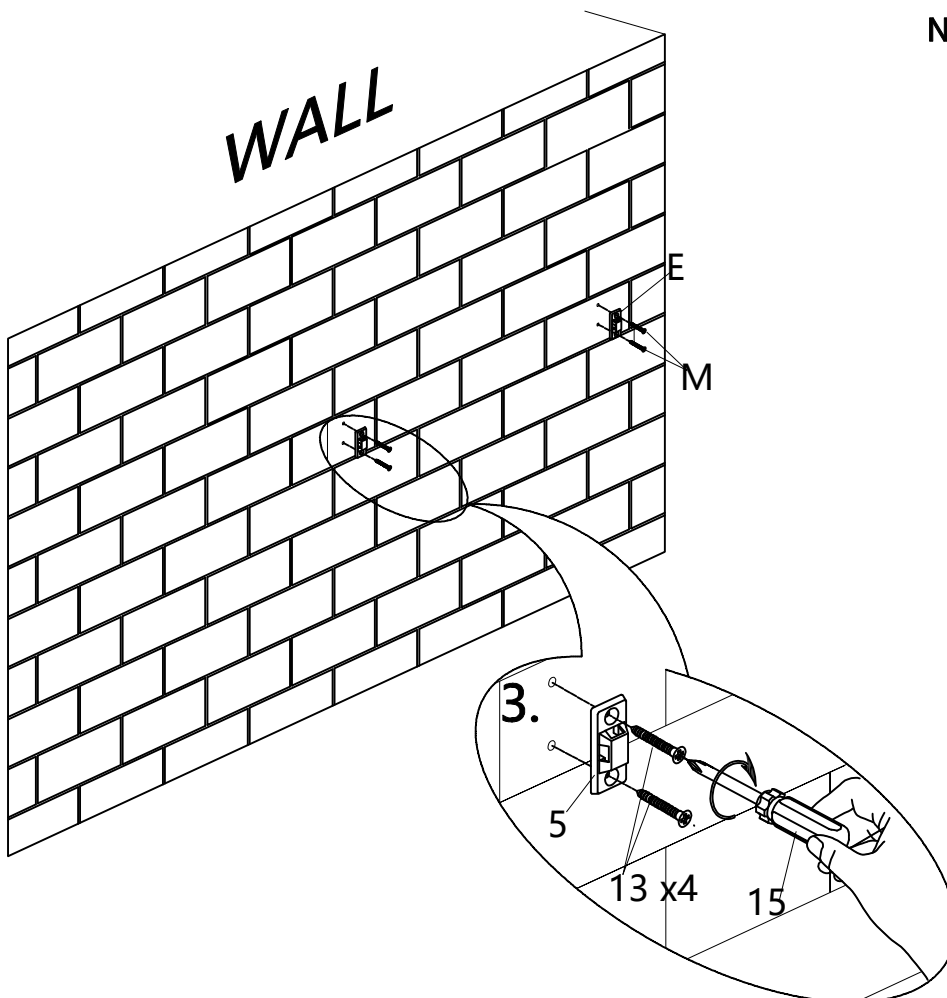


## STEP-17

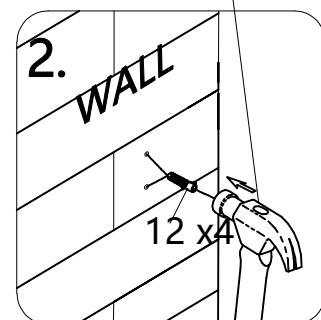
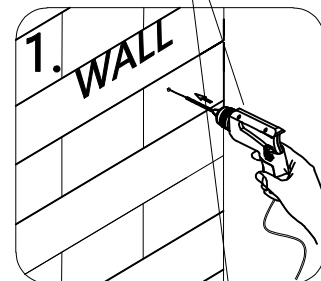
1. Install the anti-collapse device.

2. Mark the position on the wall, that corresponds to the location of part #5 on the back of panel (I); Drill and insert the expandable screw #12 by hammer.

3. Assemble the part #5 to the wall. Align the hole in the part #5 with the expandable screw #12, use screw #13 to attach it and tighten by screwdriver #15.

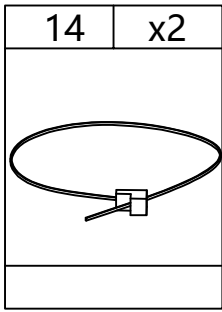


NOT PROVIDED



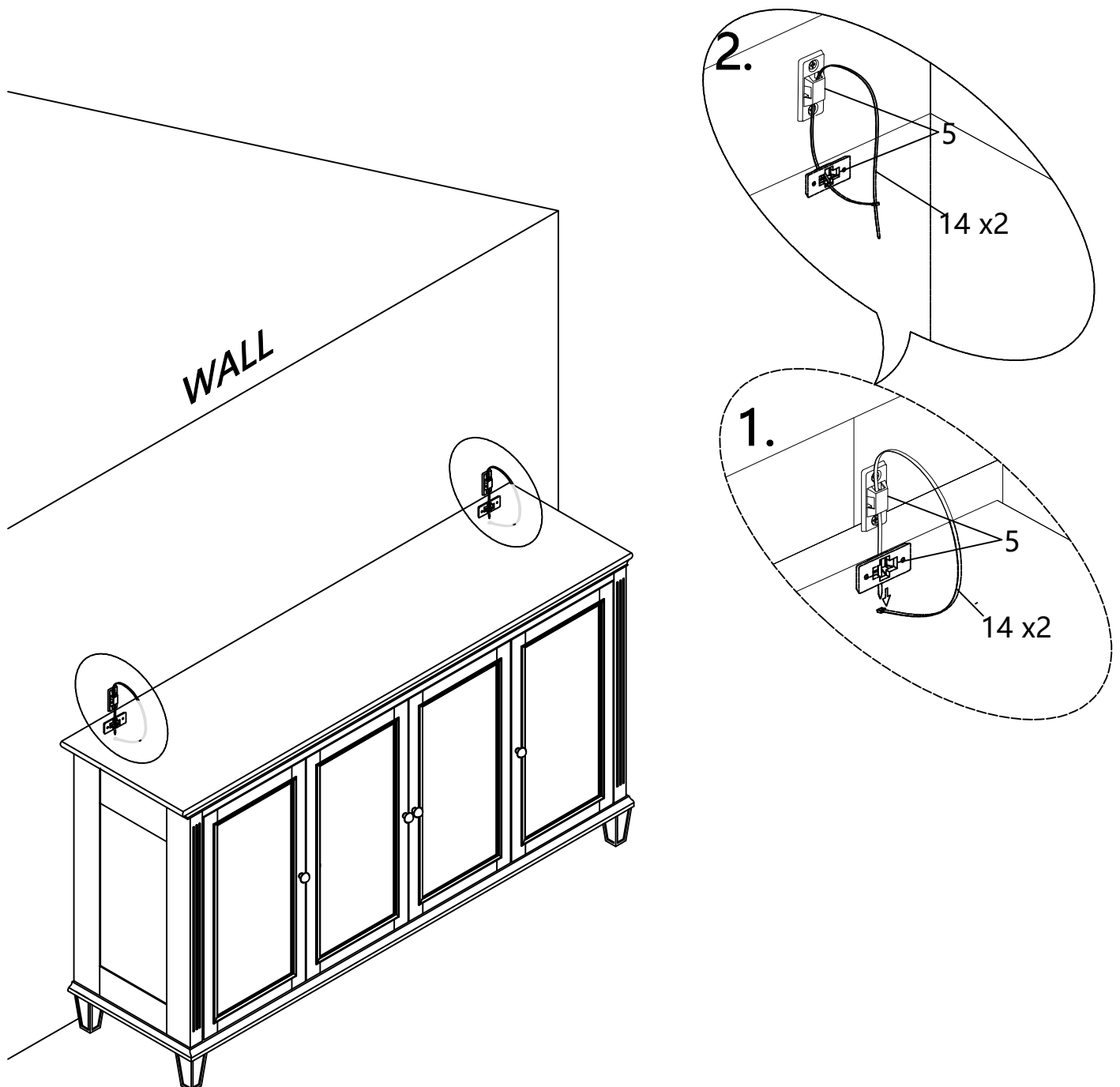


# ASSEMBLY INSTRUCTIONS



## STEP-18

Let the plastic belt #14 pass through the both part #5 and pull tightly.



# WARRANTY

1. We strive to offer high-quality products, and we also try our best to satisfy each and every customer that orders from us with product or service as needed.
2. We provide 30 days warranty starting from the time you receive the item. Each customer must provide a record of their order such as the order number, or item receipt for any items that are out of the warranty period you may also still receive.
3. Replacement parts by purchasing them with our company if they are available.

Are you having difficulty  
With assembly? Missing parts?  
Please send email with your order No to  
[customerservice@hulalahome.com](mailto:customerservice@hulalahome.com)  
For return, please check the return policy with  
the retailer or market place you bought from.

Appreciate your purchasing from us.  
Pop up your life by our furniture piece!