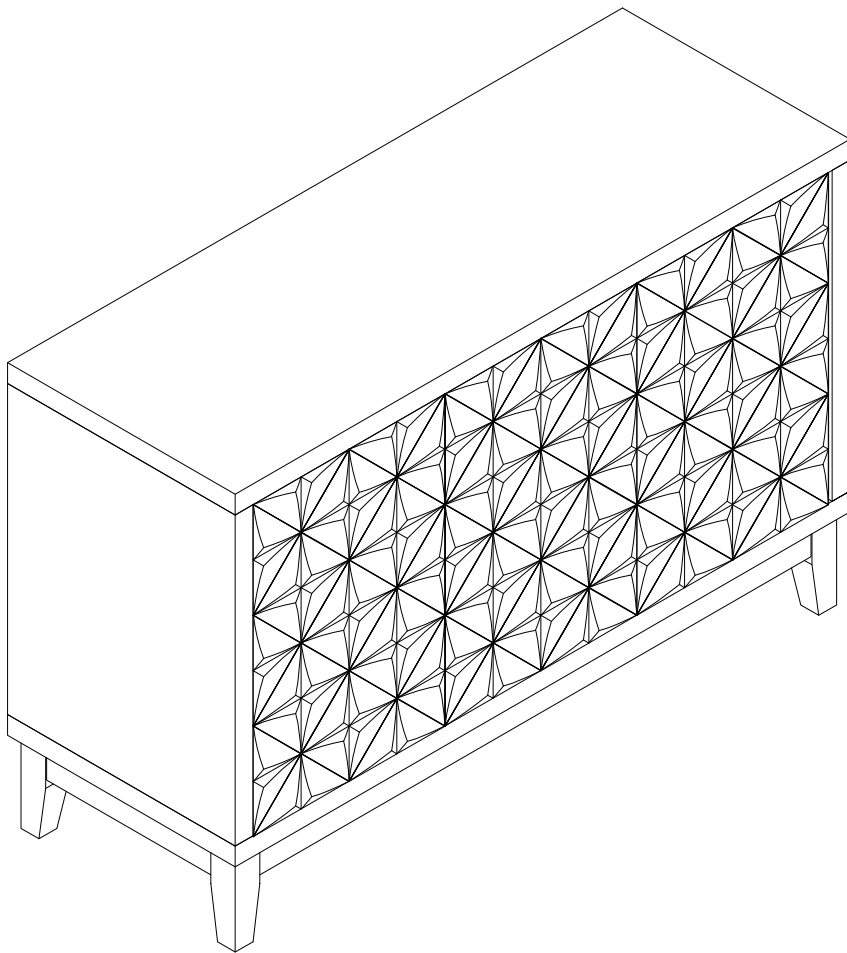


# HULALA

---

H O M E



**ITEM NO.SBYL1124**

---

**NOTE:**

This brochure contains IMPORTANT safety info. Please read and keep for future reference.

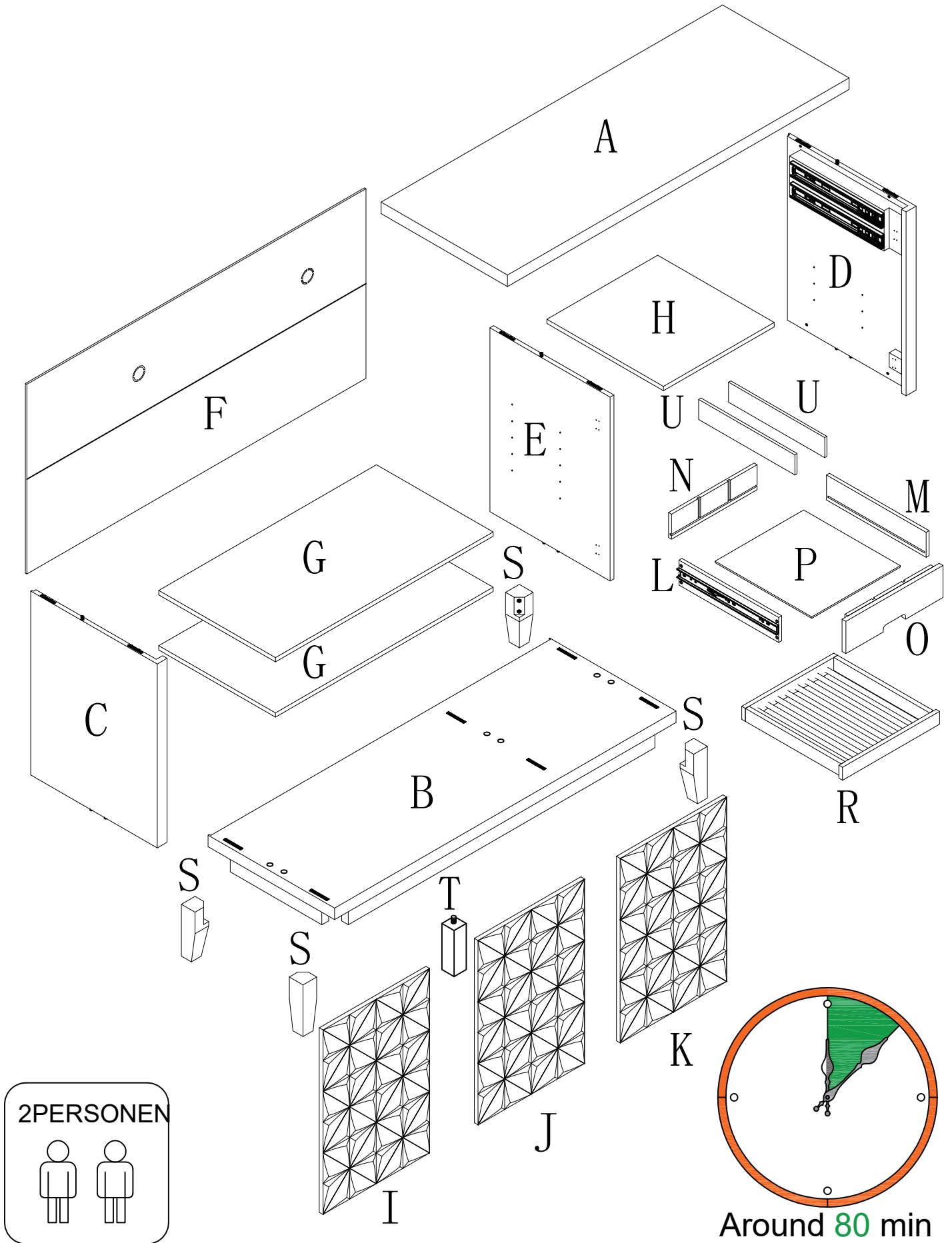
# MAINTAINANCE AND WARNING

- 1.Keep furniture away from heat sources.
- 2.Do not clean furniture with harsh cleaner or polishes.Do not use detergents,solvents,abrasives,spray packs or leather cleaner. Use non-color mild soa with warm water to clean spills(Mix 1:10 soap to water).
- 3.Do not place furniture under direct sunlight,material will possibly fade over time.
- 4.Do not use on site dry cleaning machine.Children should not climb or jump on the furniture.
- 5.Do not write on furniture that is not protectedby a padded barrier.
- 6.Not for commercial use,only for residential use.

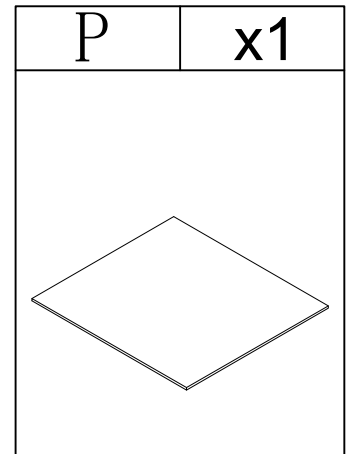
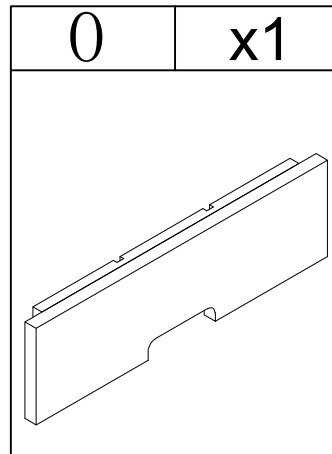
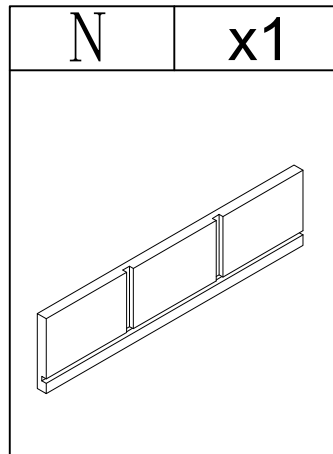
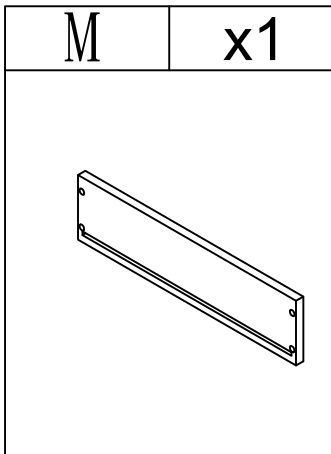
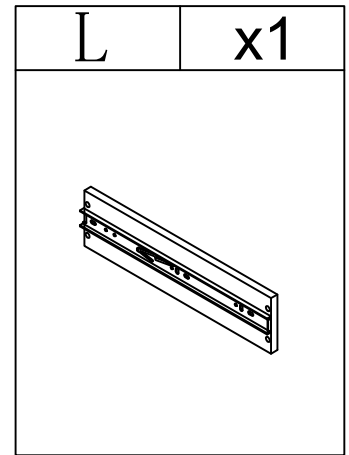
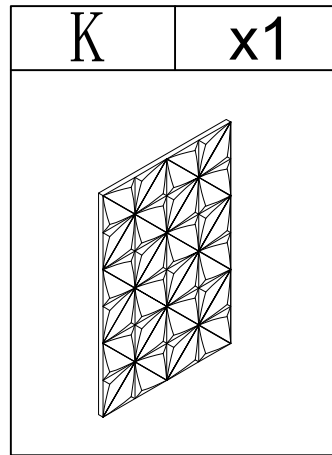
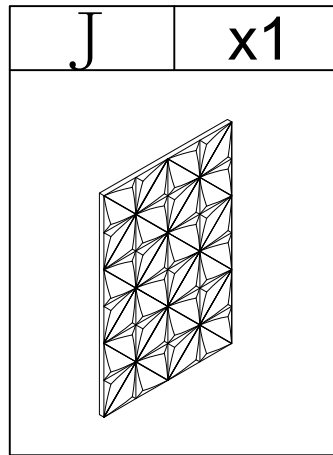
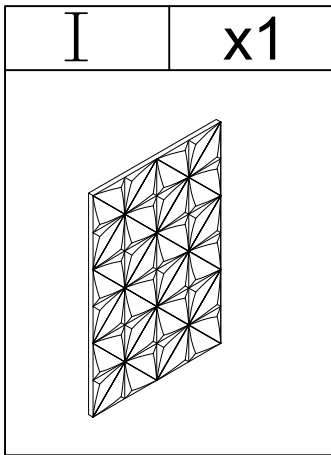
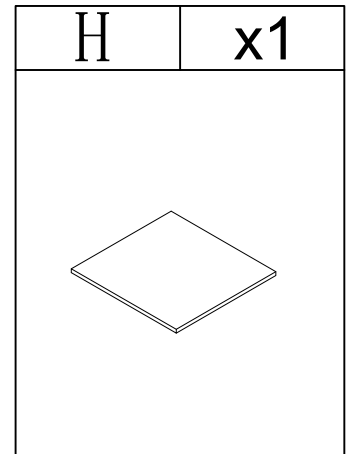
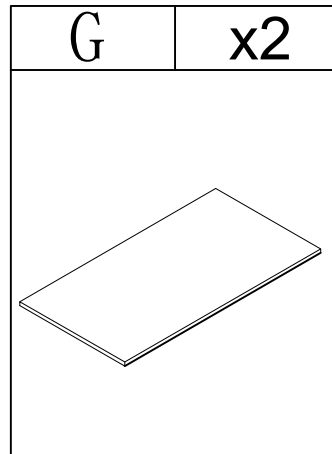
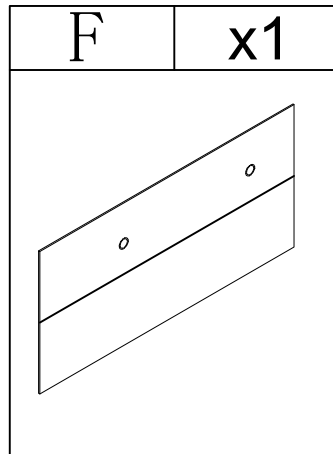
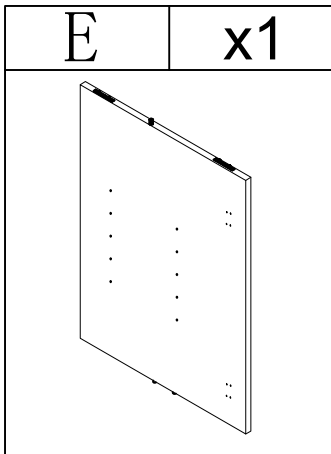
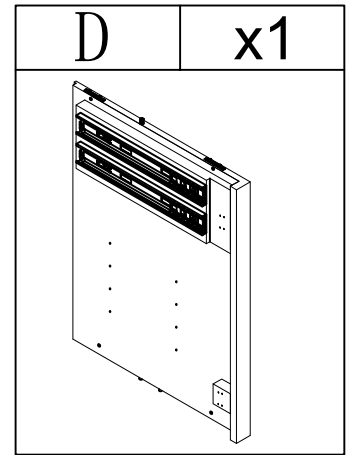
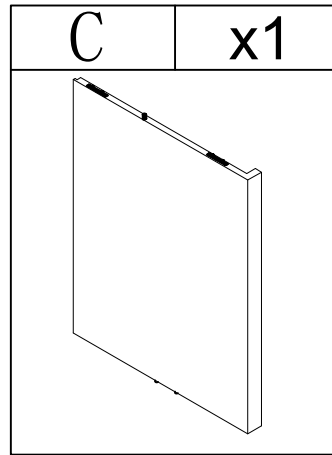
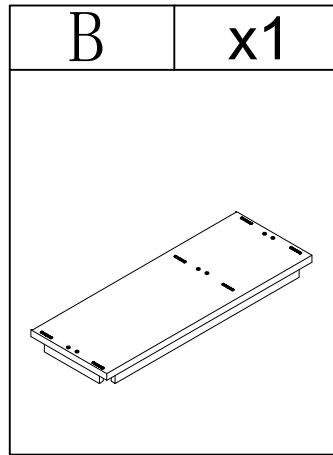
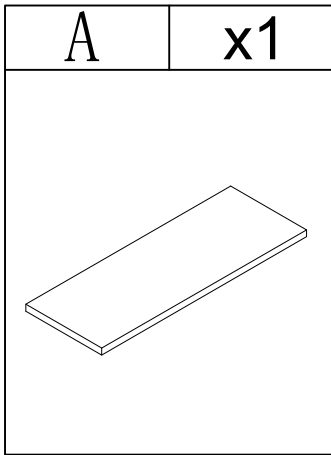


Weight Limitation  
**150 LBS**

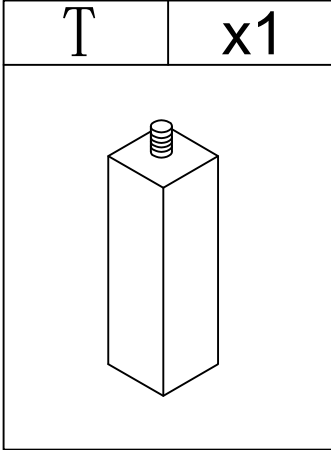
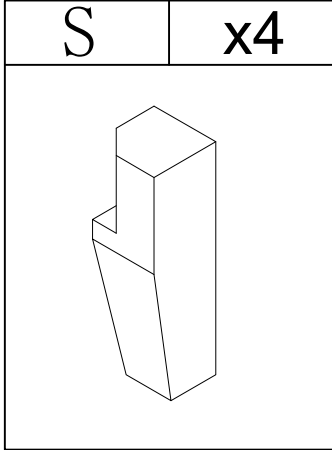
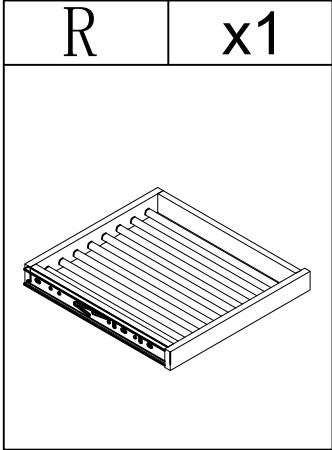
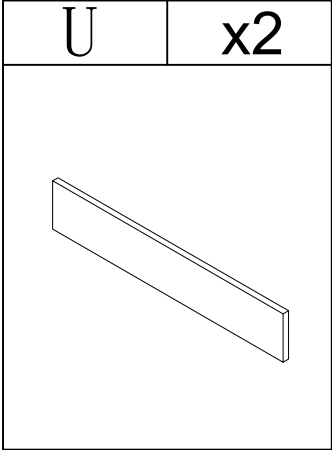
# EXPLOSIVE VIEW



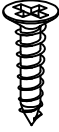
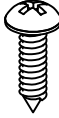



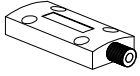


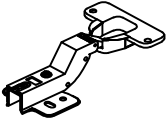
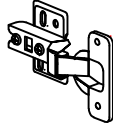
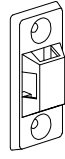




# PARTS LIST



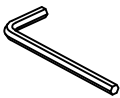
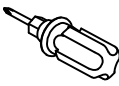
# PARTS LIST



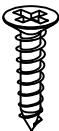
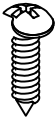





# HARDWARE LIST

#1	x48	#2	x30	#3	x8	#4	x8	#5	x4	#6	x3
											
Ø3*15mm		Ø3*15mm		Ø6*50mm		Ø4*25mm		Ø3.5*38mm			
#7	x8	#8	x8	#10	x4	#11	x2	#12	x4	#13	x4
											
#14	x2	#15	x4	#18	x12						
											
		Ø3.5*20mm									

# TOOL LIST

#16	x1	#17	x1
			

# HARDWARE SPARE LIST

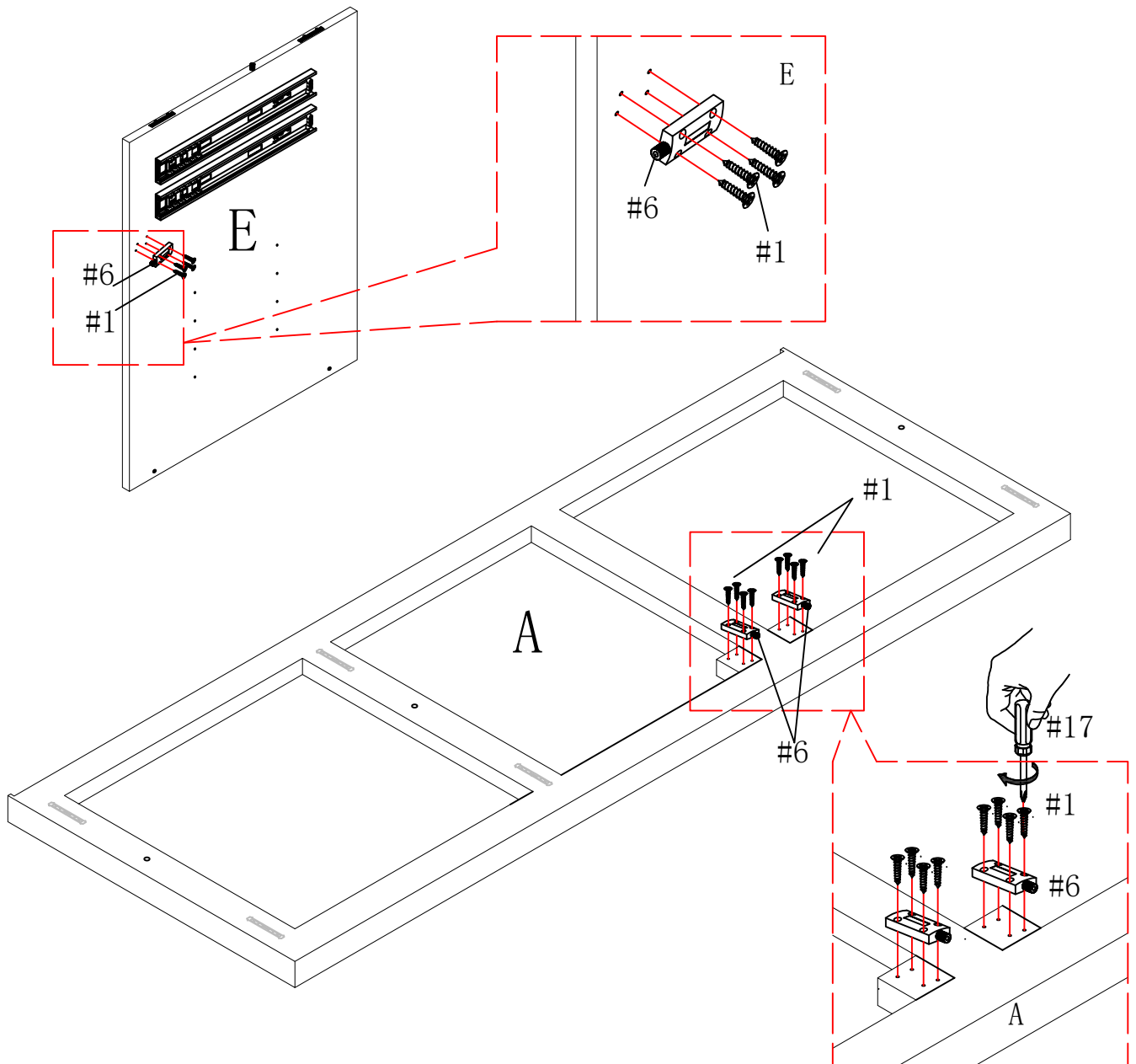
#1	x5	#2	x3	#9	x1	#3	x1	#4	x1	#7	x1	#8	x1
													
Ø3*15mm		Ø3*15mm				Ø6*50mm		Ø4*25mm					


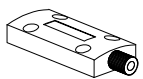
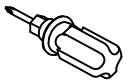
# ASSEMBLY INSTRUCTIONS

## STEP-1

1. connect part #6 to part (E) with screw #1, tight screw with screwdriver #17.

2. connect part #6 to part (A) with screw #1, tight screw with screwdriver #17.

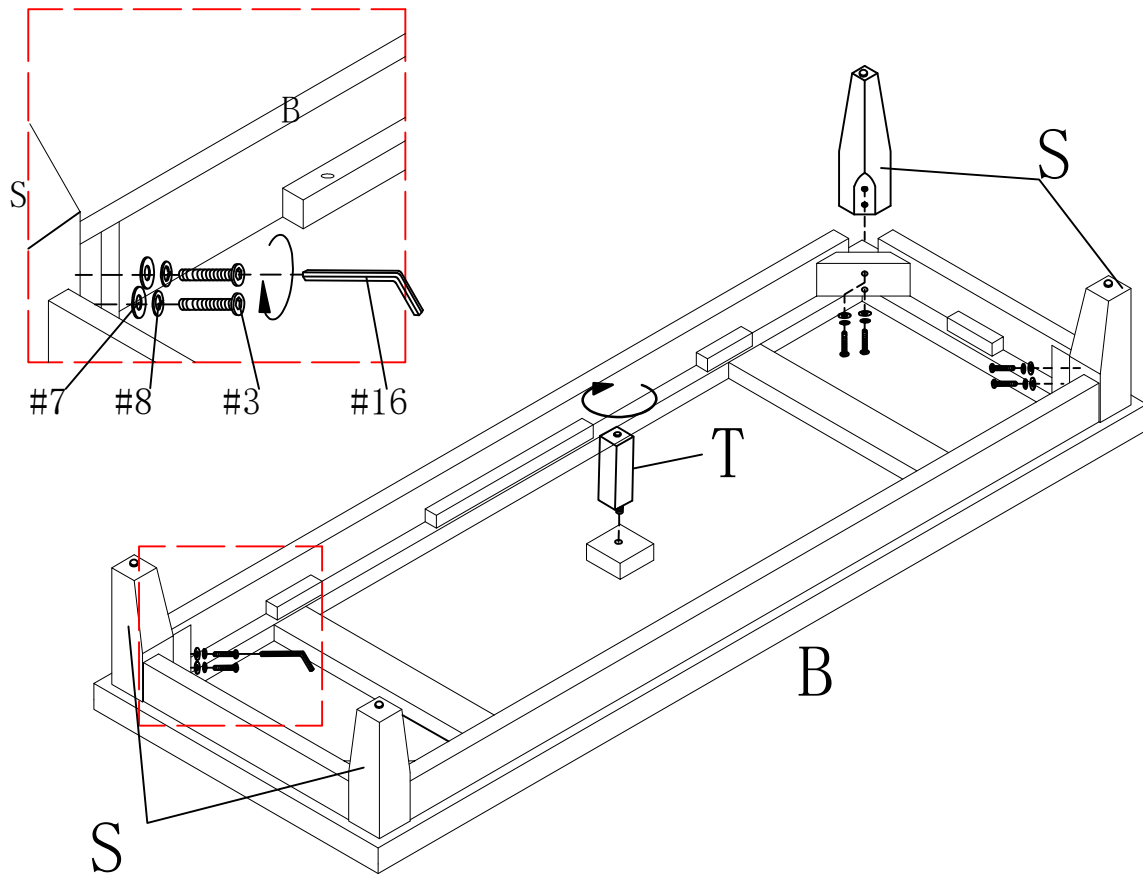






#1	x12	#6	x3	#17	x1
					
Ø3*15					

# ASSEMBLY INSTRUCTIONS

## STEP-2

1. connect part (S) to part (B) with bolt #3, flat washer #7 and spring washer #8, tight bolt with allen wrench #16.
2. connect part (T) to part (B) with hand and tight it .



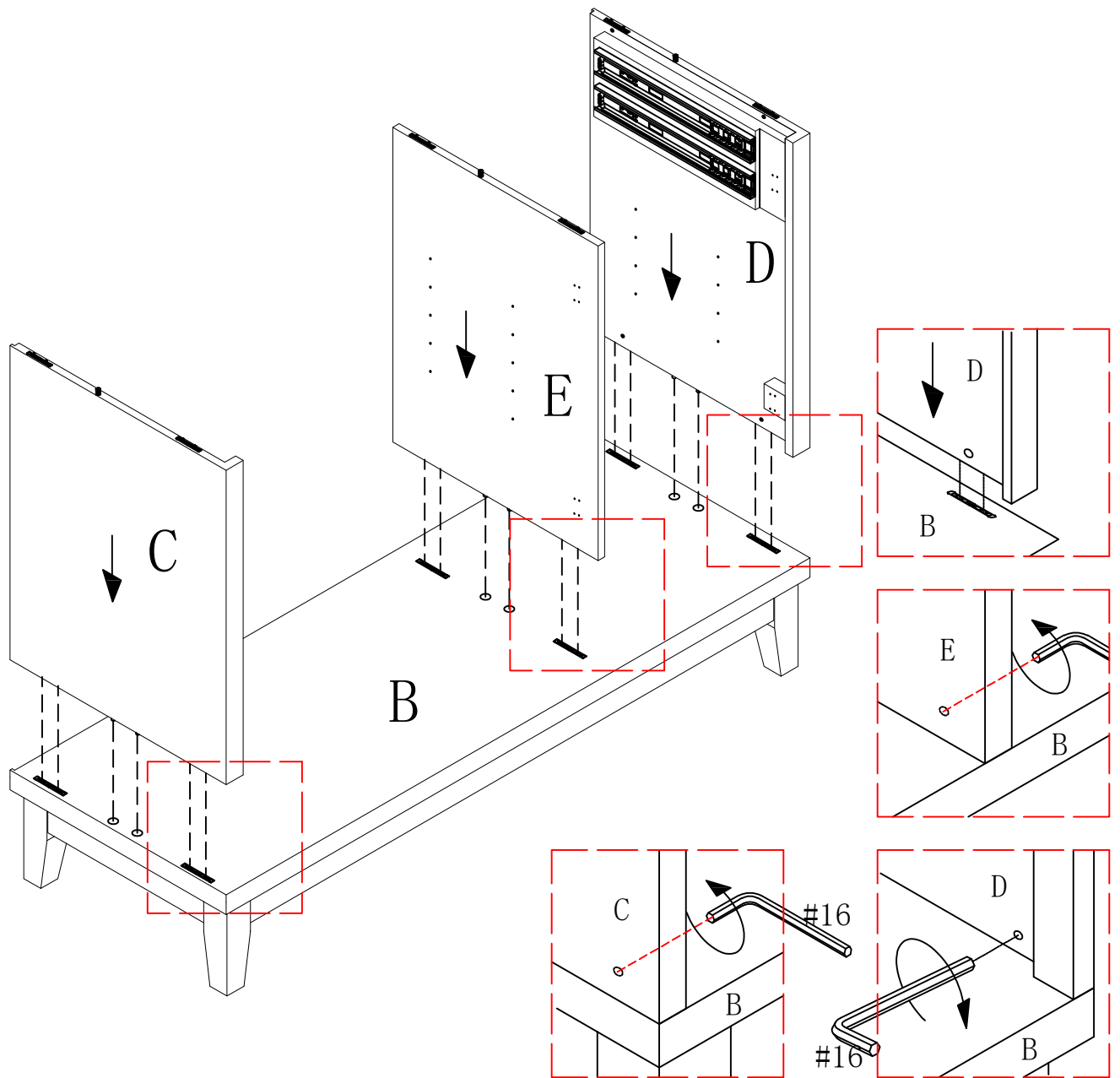
#3	x8	#7	x8	#8	x8	#16	x1
							
φ6*50mm							

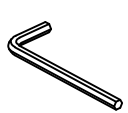


# ASSEMBLY INSTRUCTIONS

## STEP-3

1.insert part (C/D/E) to part (B), make sure all holes aligned and tight them with allen wrench #16.

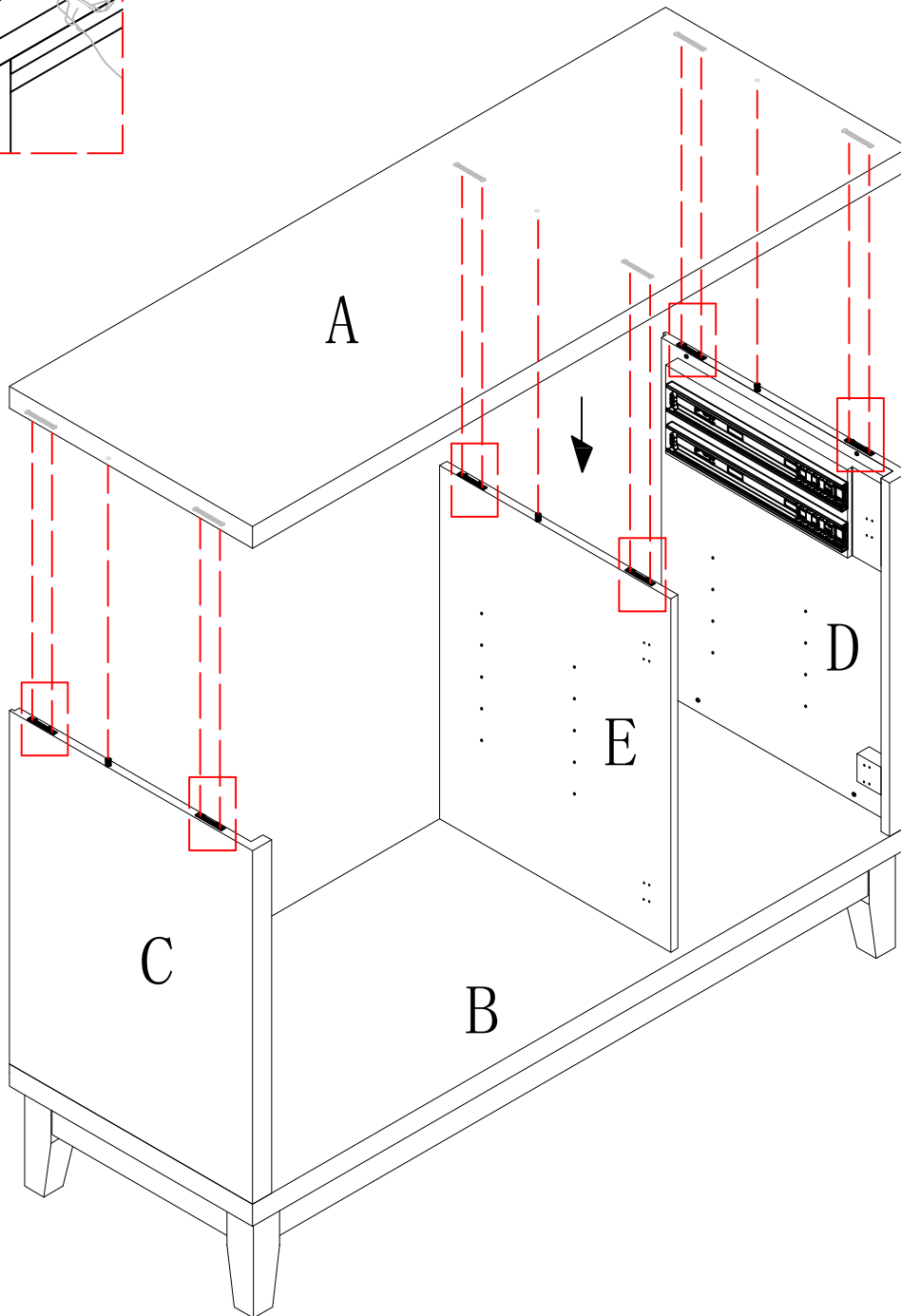
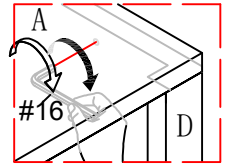
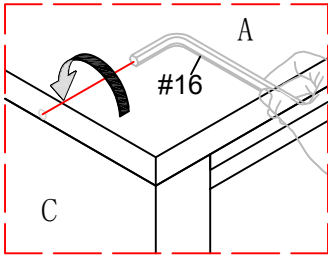


#16	x1
	

# ASSEMBLY INSTRUCTIONS

## STEP-4

1.insert part(A) to part (C/D/E), make sure all holes aligned and tight them with allen wrench #16.

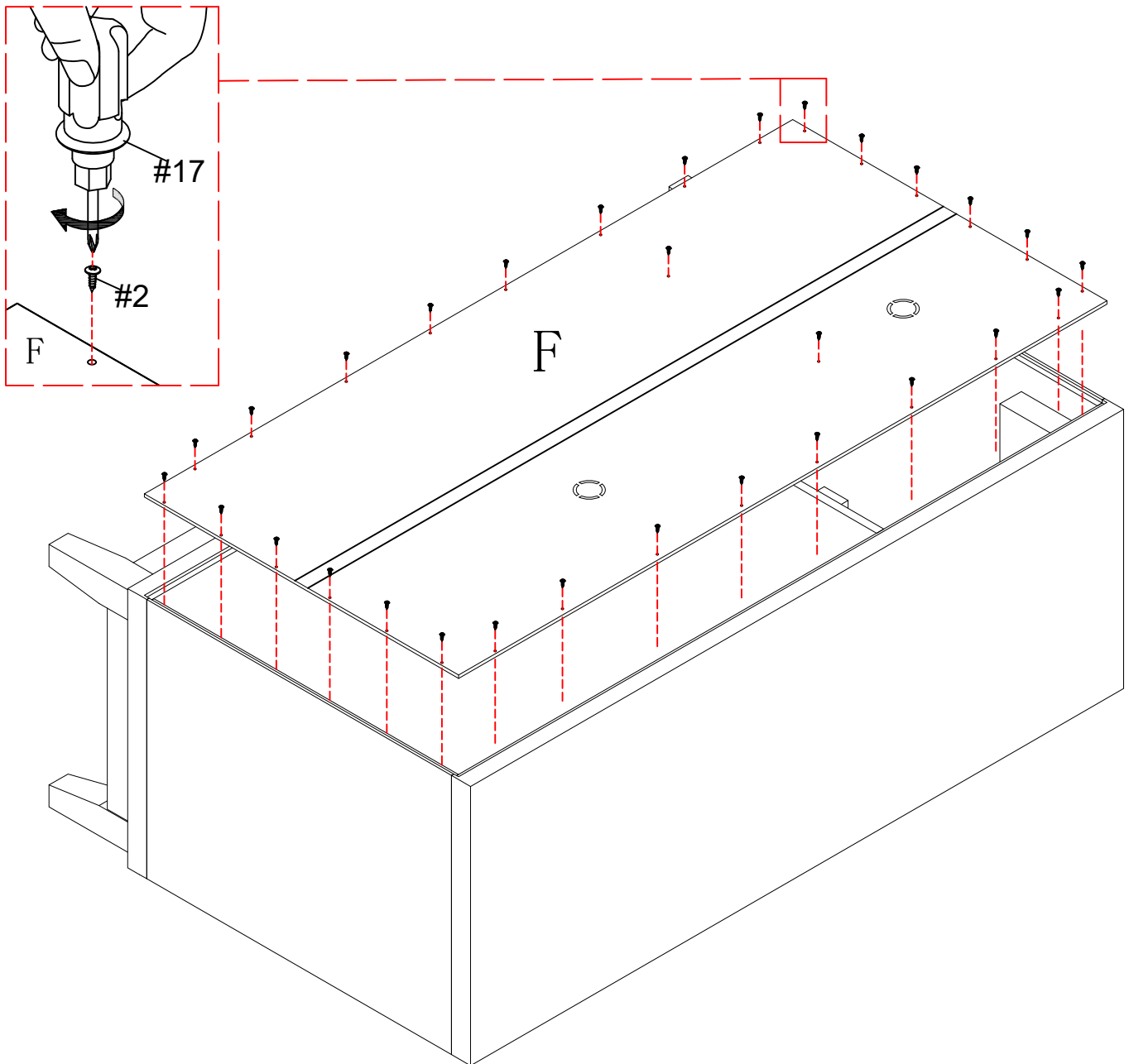



#16	x1

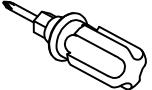
# ASSEMBLY INSTRUCTIONS

## STEP-5

1. connect part (F) to the unit pre-assembled at step 4 with screw #2, tight screw with screwdriver #17.



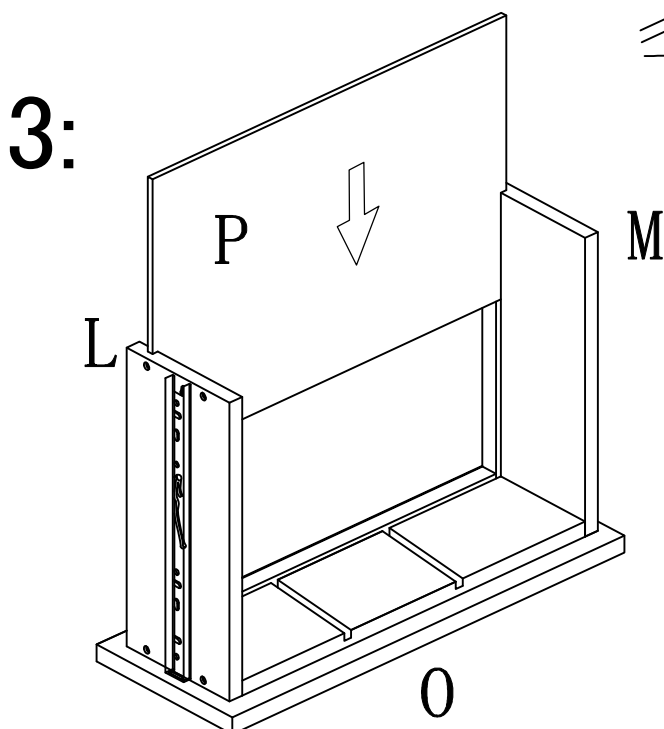
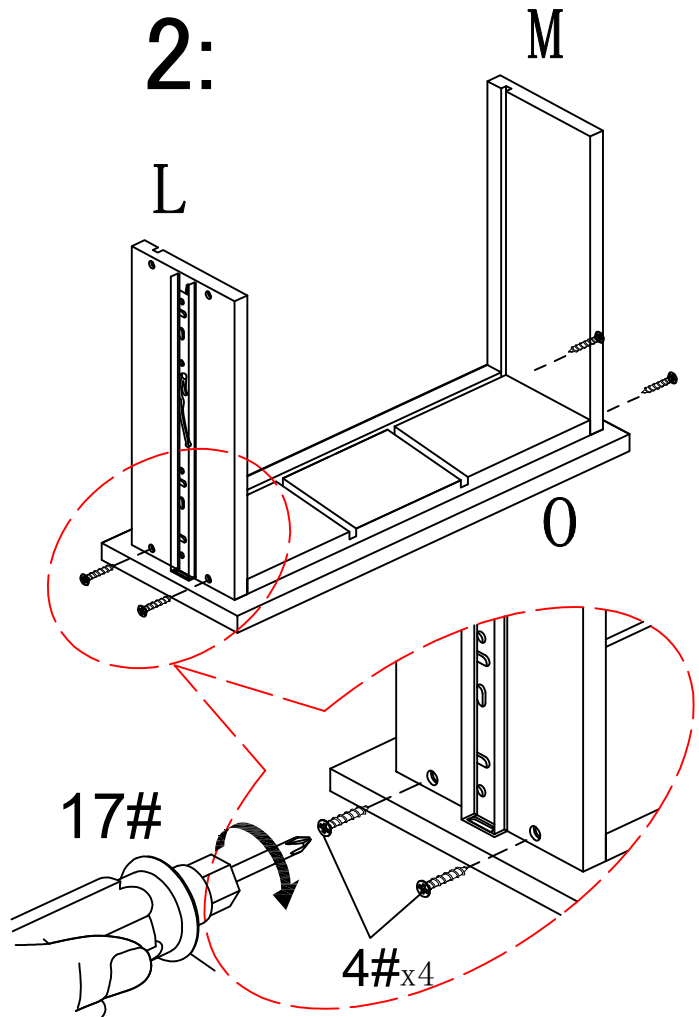
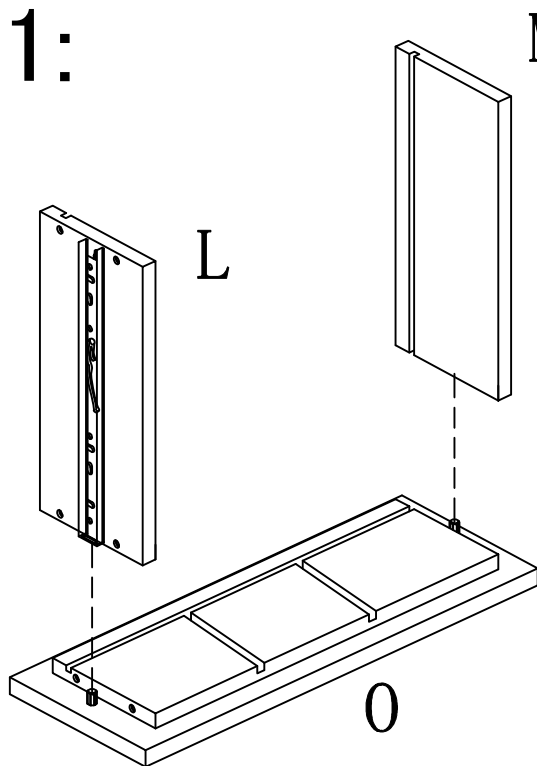
#2	x30
	
φ3*15mm	


#17	x1
	

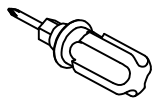
# ASSEMBLY INSTRUCTIONS

## STEP-6

1. connect part (L/M) to part (O) with screw #6, tight screw with screwdriver #17.
2. slide part (P) to part (L/M), make sure it also in the groove of part (O).



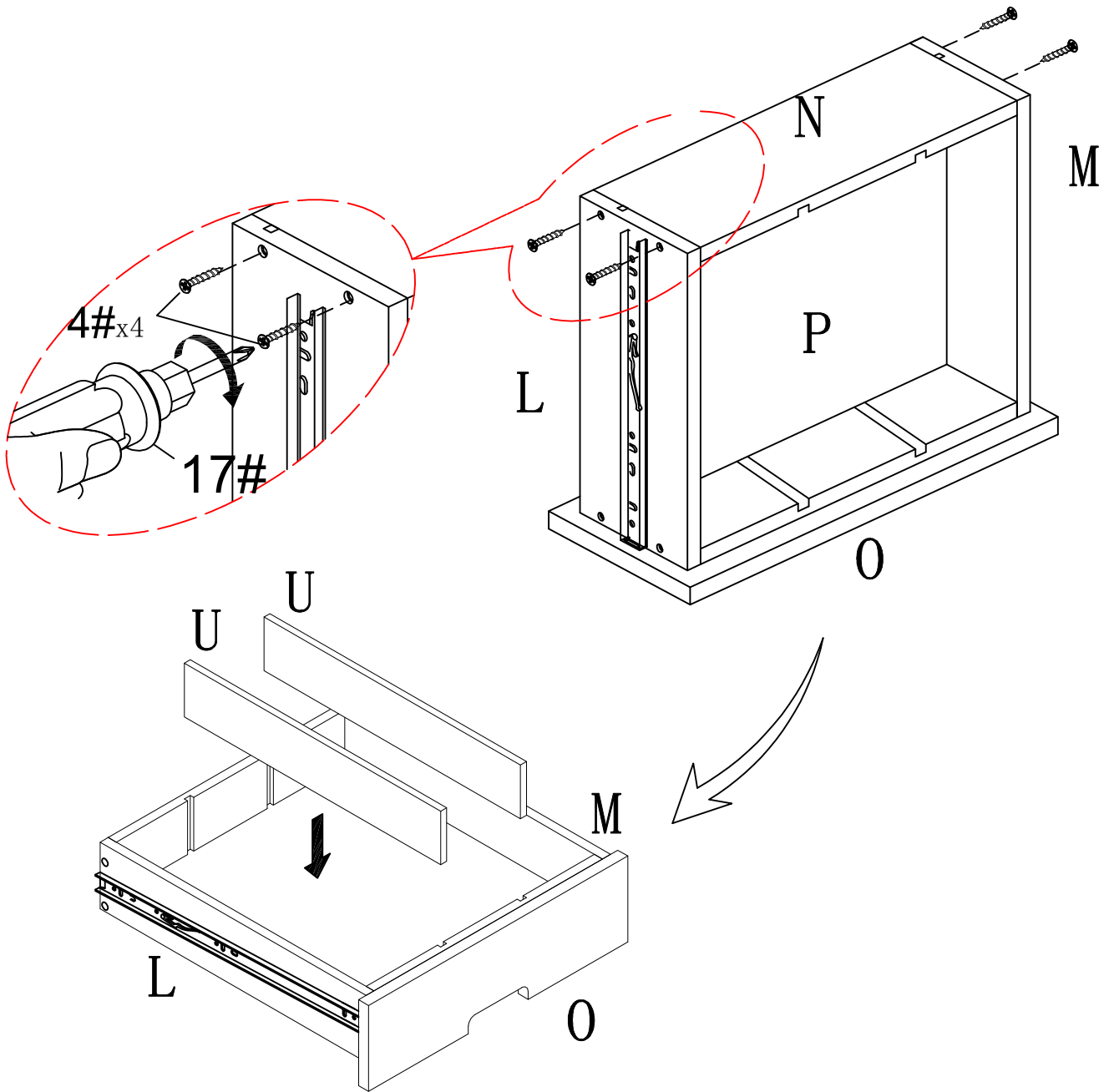
#4	x4
	
φ4*25mm	


#17	x1
	

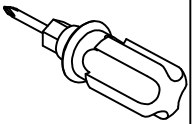
# ASSEMBLY INSTRUCTIONS

## STEP-7

1. connect part (N) to part (L/M) with part #4, tight it with screwdriver #17.
2. attach part (U) to the drawer with hand.



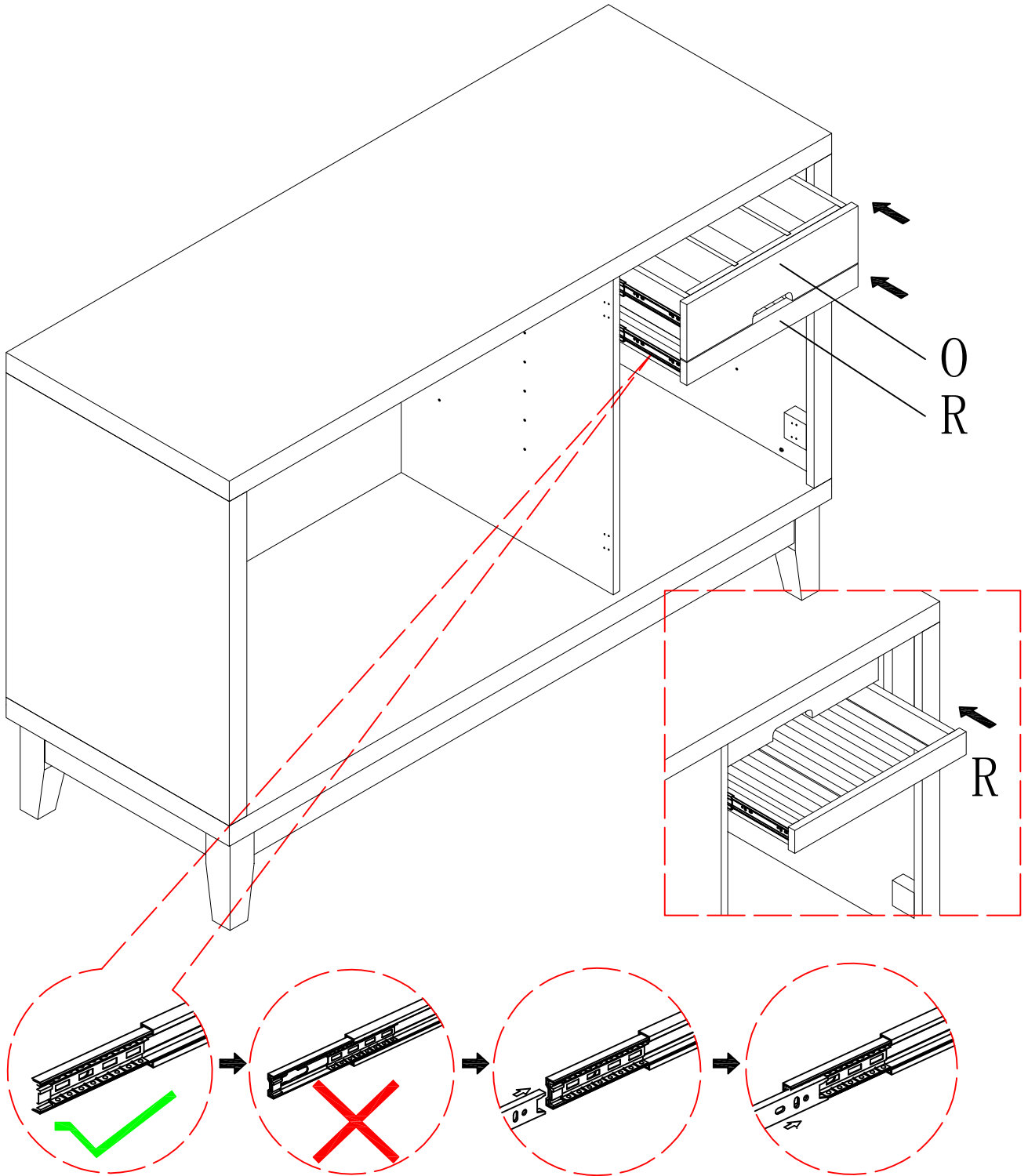
#4	x4
	
φ4*25mm	

#17	x1
	

# ASSEMBLY INSTRUCTIONS

## STEP-8

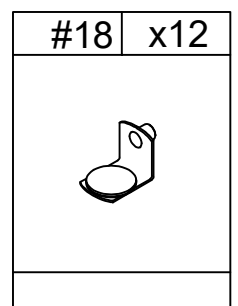
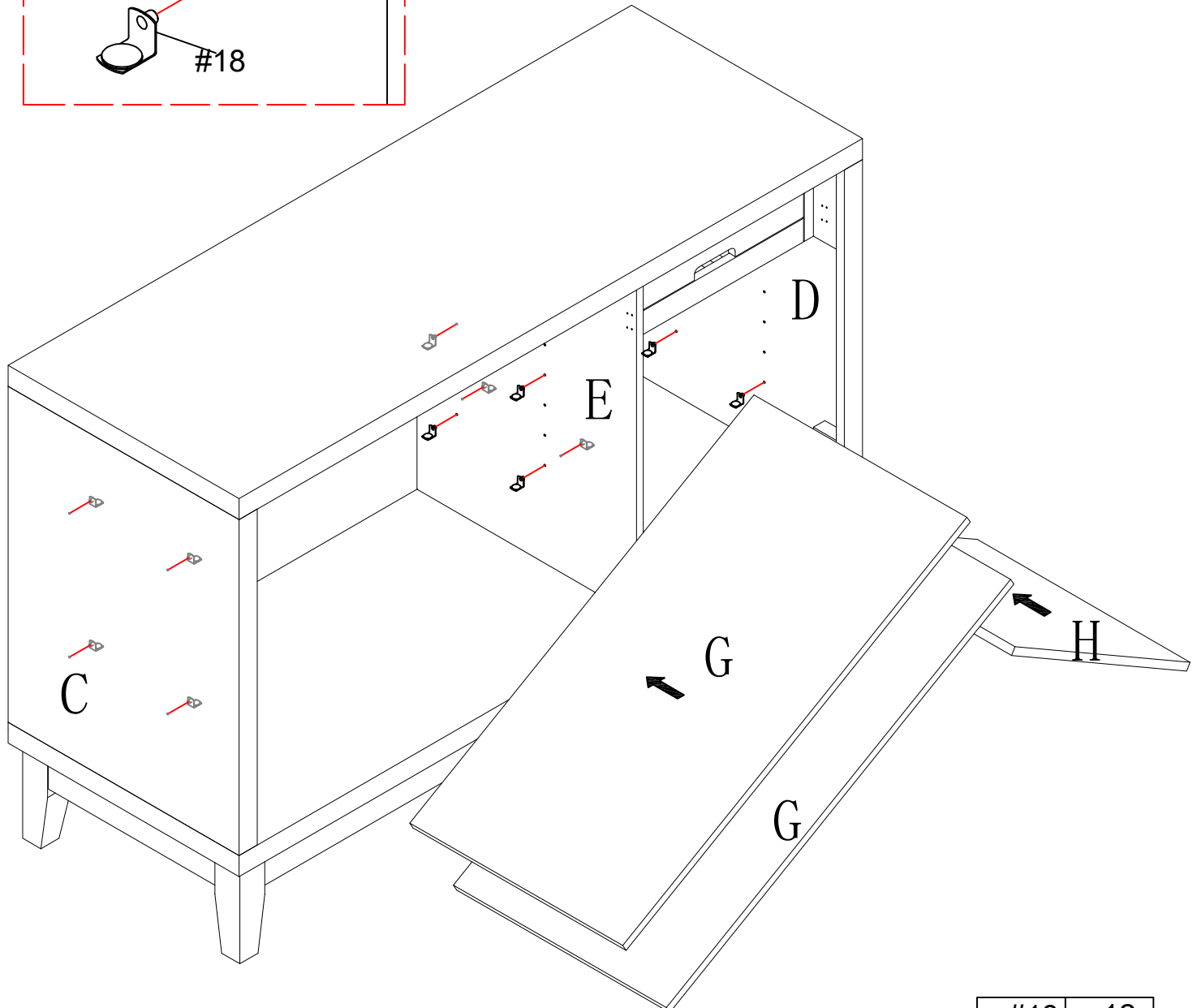
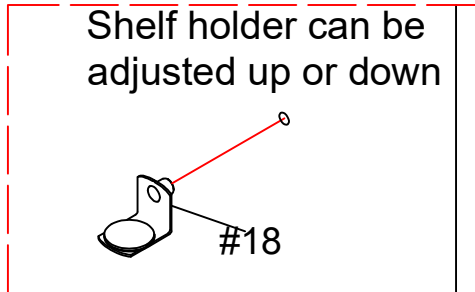
1.insert the drawer (O/R) to the unit pre-assembled at step7.



# ASSEMBLY INSTRUCTIONS

## STEP-9

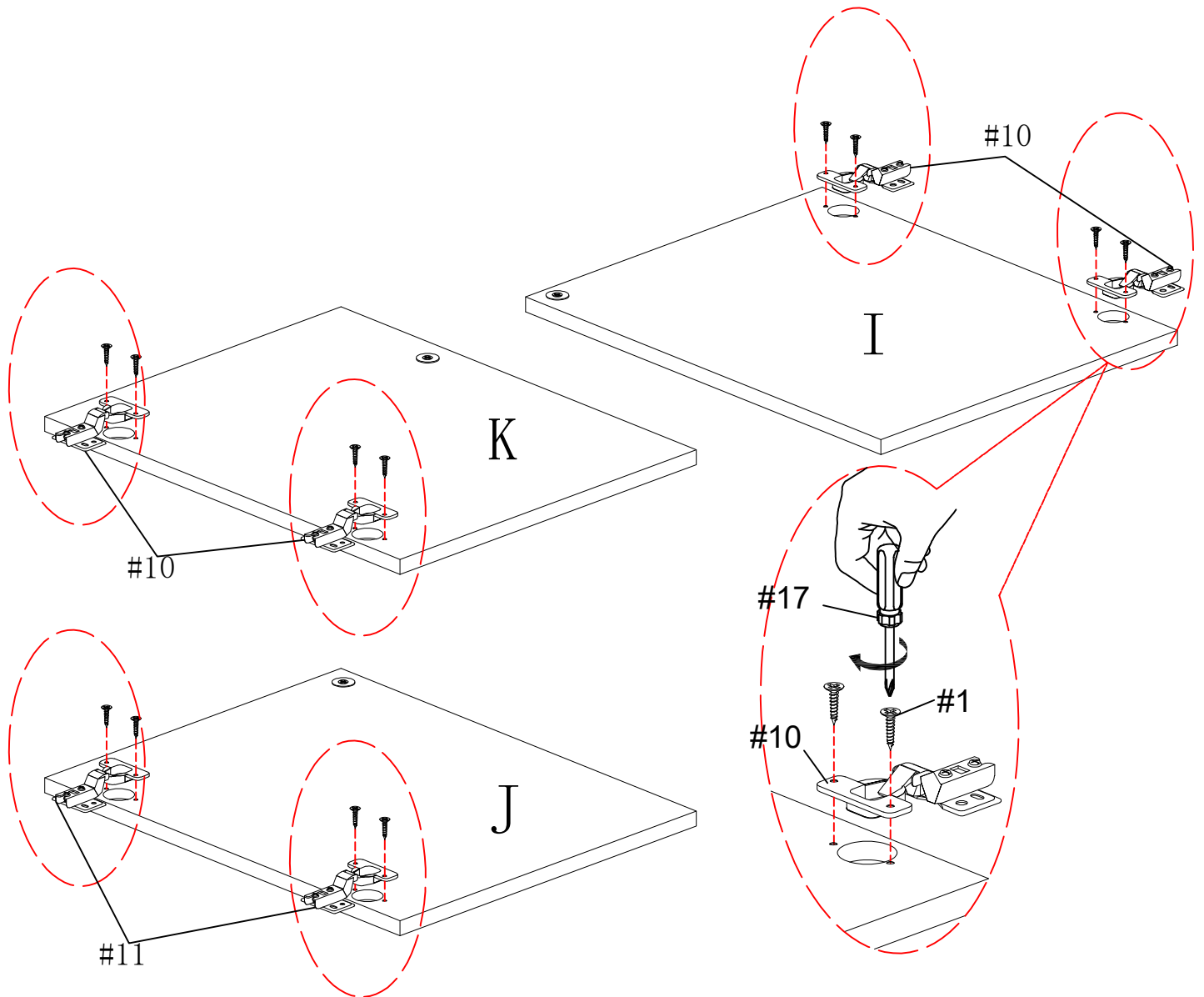
1. Insert shelf holder #18 into the corresponding hole of panel (C)&(D)&(E) and then attach panel (H&G) to it.

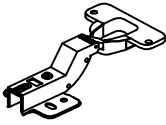


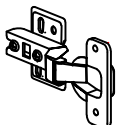
# ASSEMBLY INSTRUCTIONS

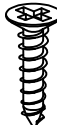
## STEP-10

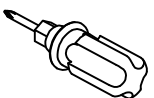
1. connect part #10 to part (I/K) with screw #1, tight screw with screwdriver #17.
2. connect part #11 to part (J) with screw #1, tight screw with screwdriver.



#10	x4
	

#11	x2
	

#1	x12
	
Ø3*15mm	

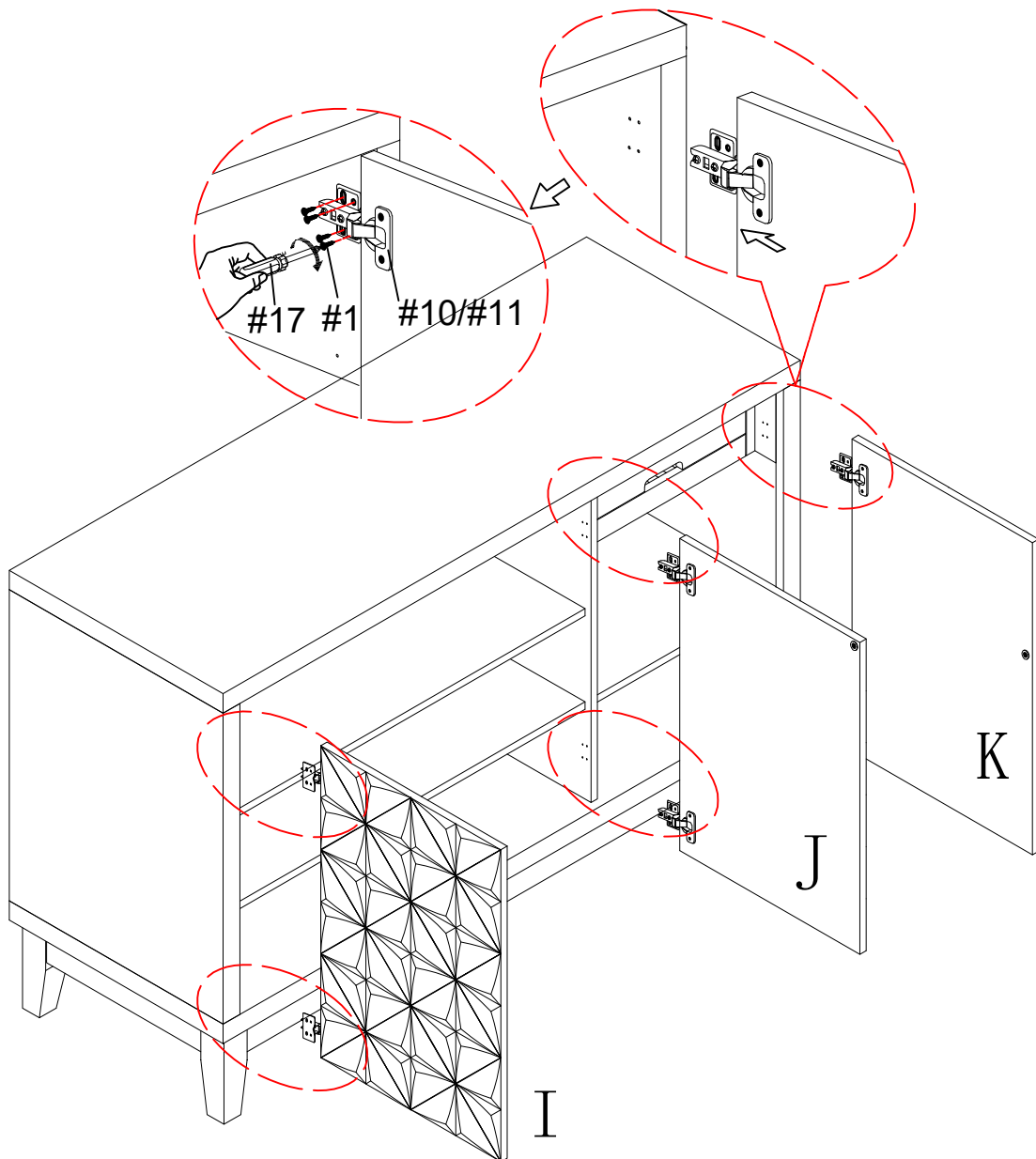
#17	x1
	

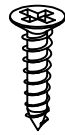


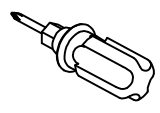
# ASSEMBLY INSTRUCTIONS

## STEP-11

1. connect part (I/J/K) to the unit pre-assembled at step 10 with screw #1, tight screw with screwdriver #17.



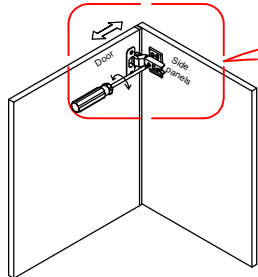
#1	x24
	
Ø3*15mm	

#17	x1
	

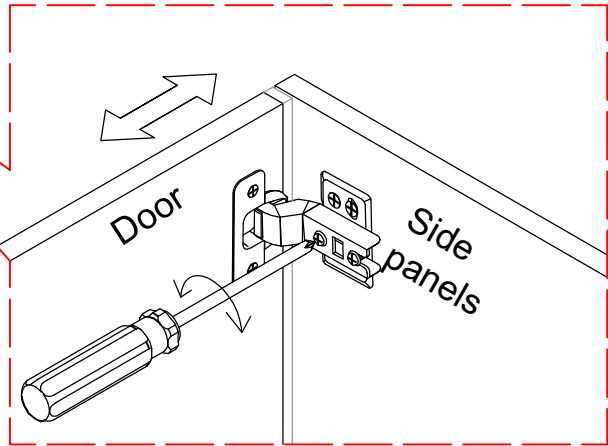
# ASSEMBLY INSTRUCTIONS

## STEP-12

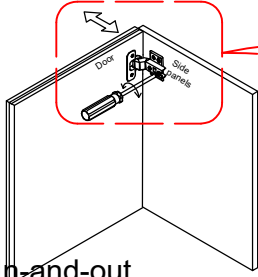
Concealed hinges are three-way adjustable:



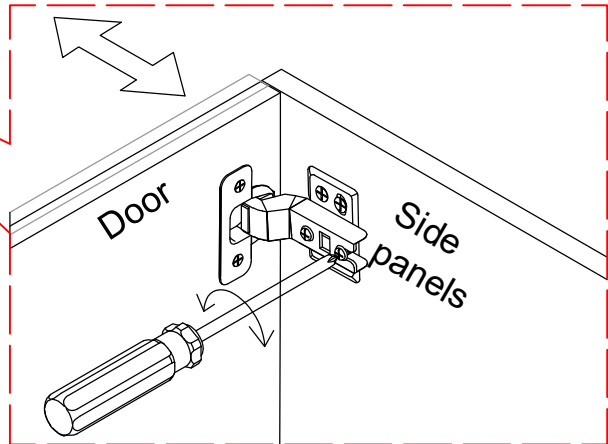
Horizontal  
by screw adjustment!



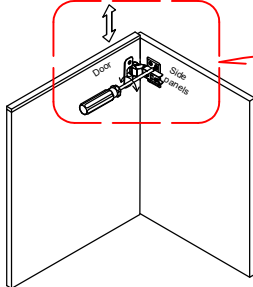
Concealed hinges are three-way adjustable:



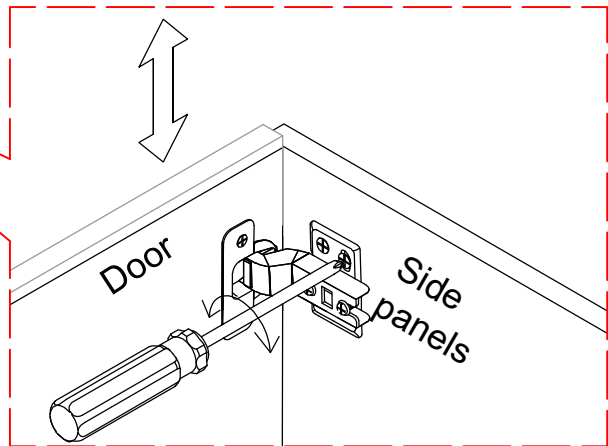
In-and-out  
by loosening the hinge arm  
mounting screw or via cam  
adjustment!



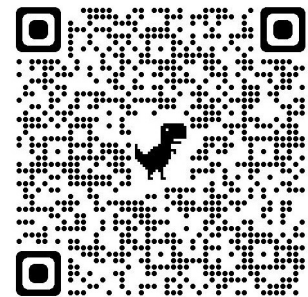
Concealed hinges are three-way adjustable:



Vertical via slots in  
the mounting plate  
or via cam  
adjustment!




## Hinge adjustment method

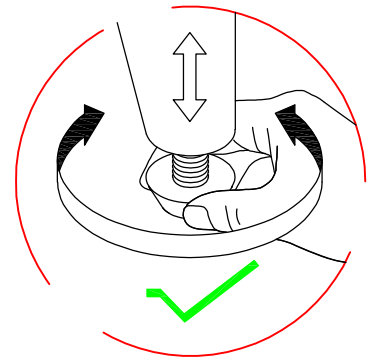
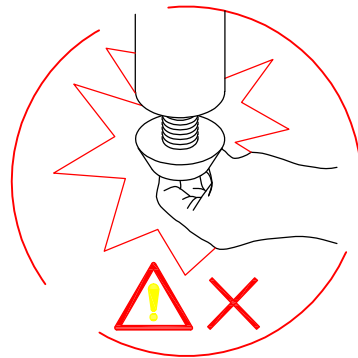
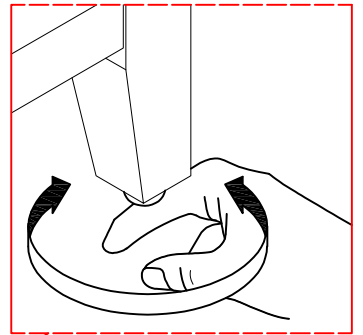
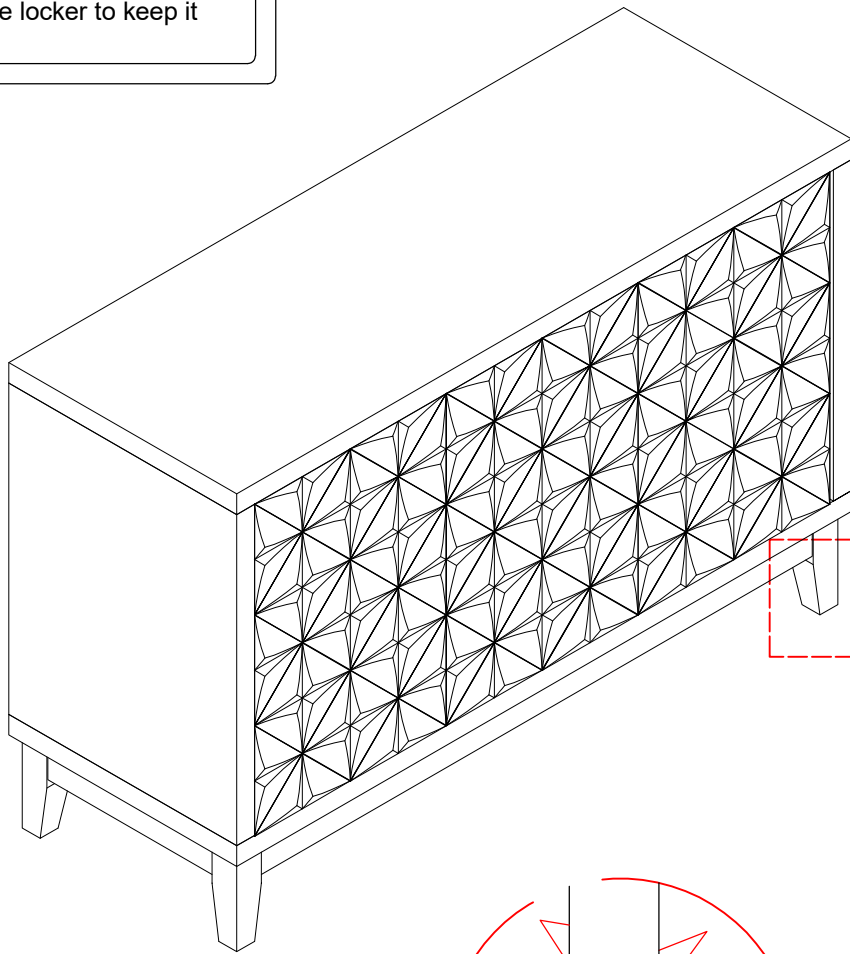


Video for door adjustment

# ASSEMBLY INSTRUCTIONS


## STEP-13

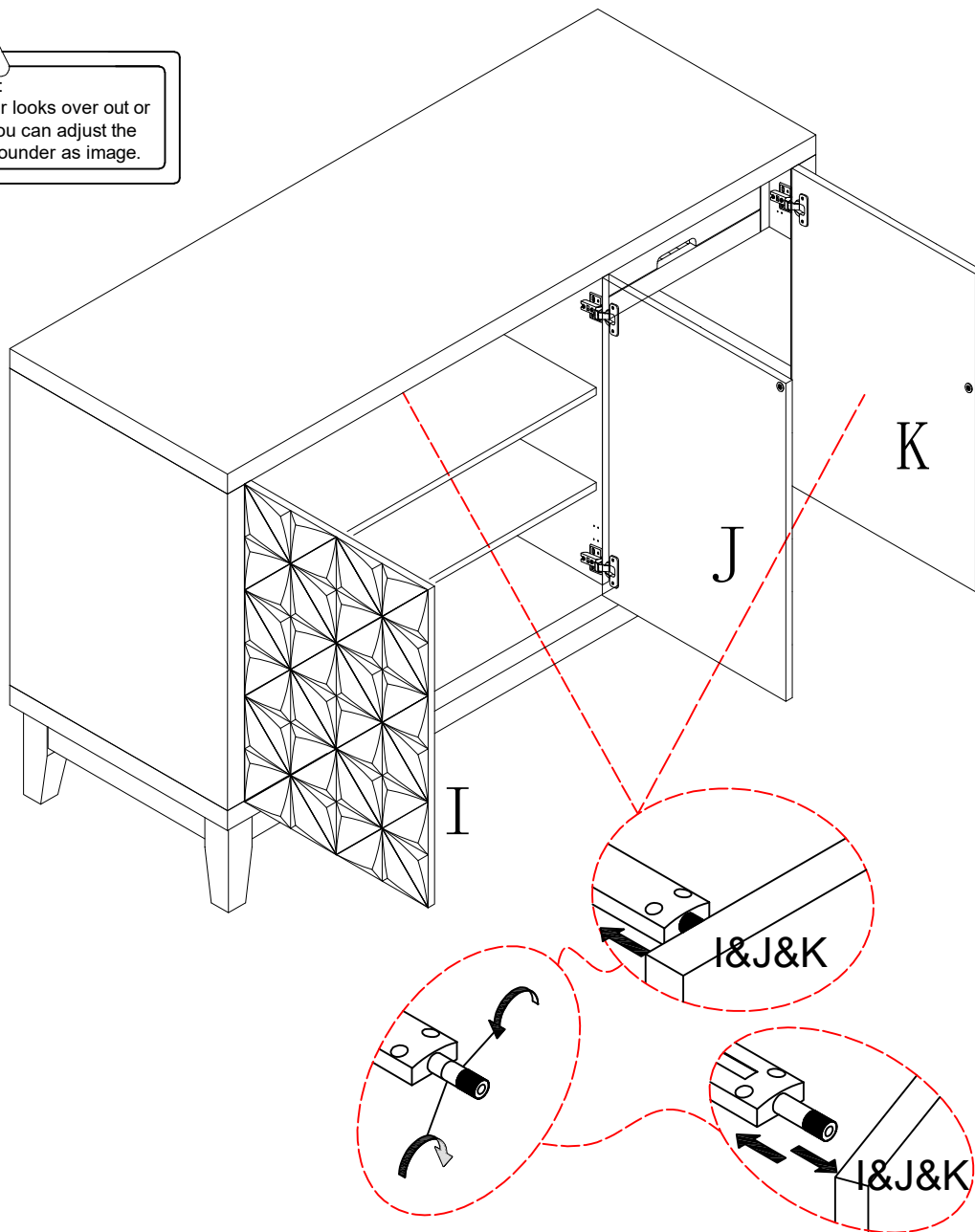
  
**Attention:**  
Before the next step, adjust the feet of the locker to keep it level.





# ASSEMBLY INSTRUCTIONS

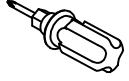
## STEP-14

  
Attention:  
If the door looks over out or  
over in, you can adjust the  
head rebounder as image.



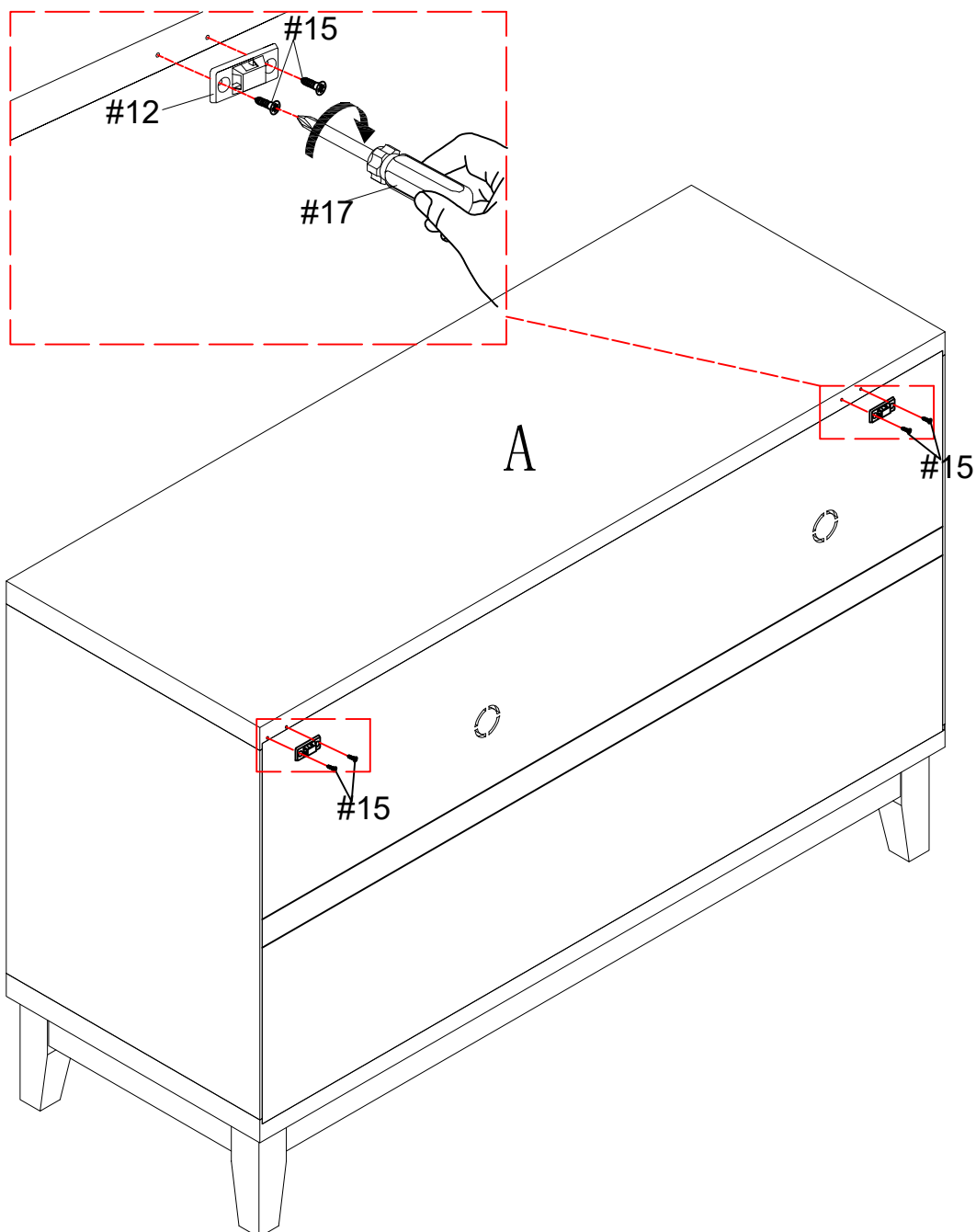
# ASSEMBLY INSTRUCTIONS

#15	x4	#12	x2
			
Ø3*20mm			

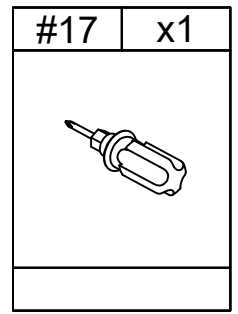
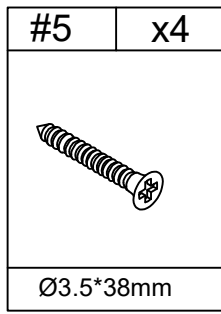
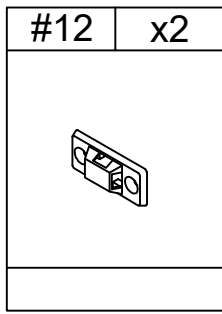
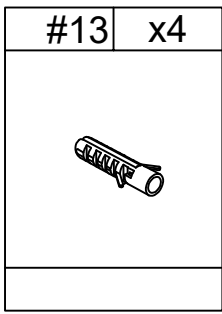
#17	x1
	

## STEP-15

1. connect part #12 to part (A) with screw #15, tight screw with screwdriver #17.

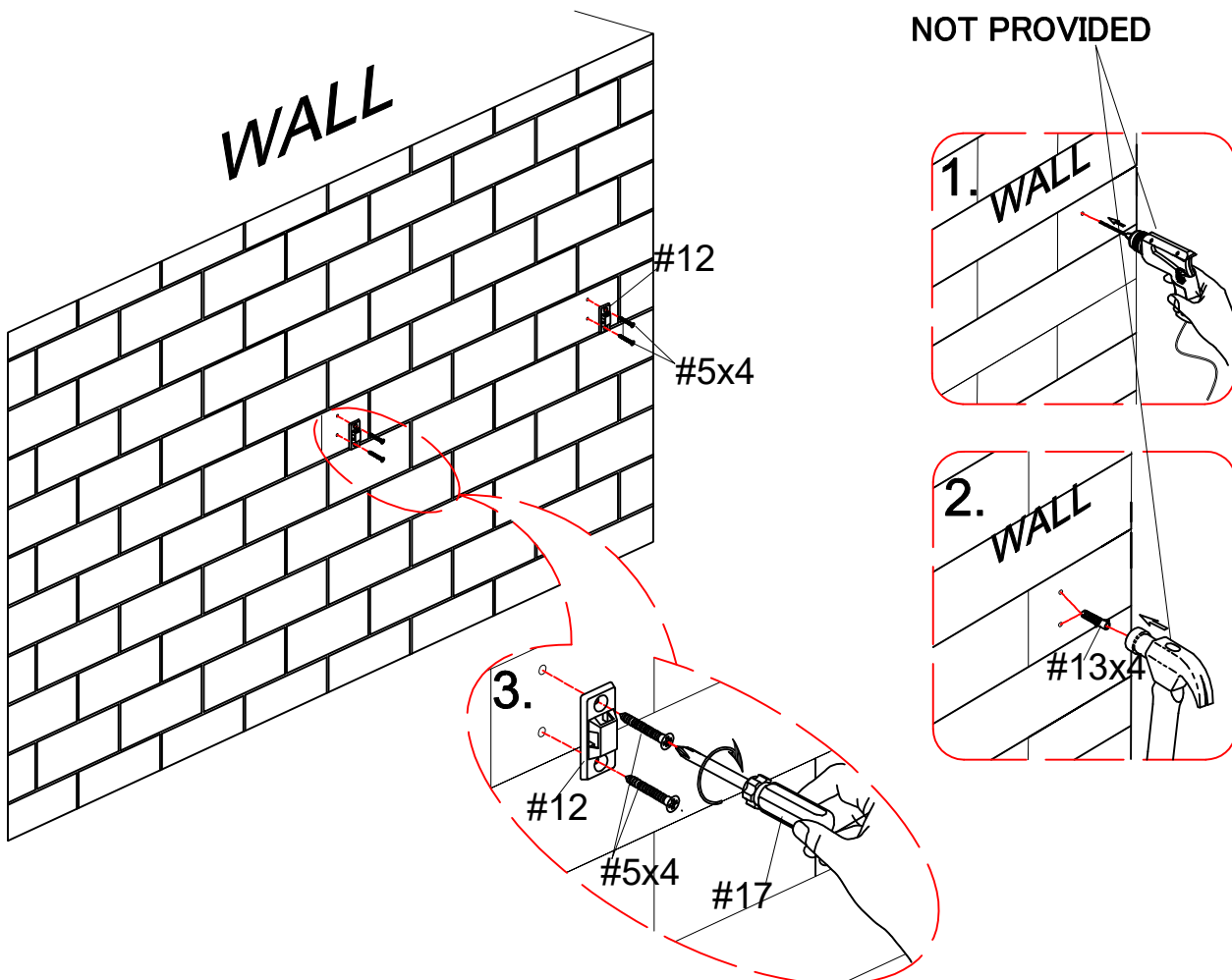


# ASSEMBLY INSTRUCTIONS

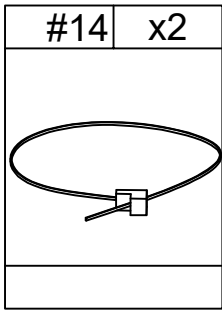


## STEP-16

1. Install the anti-collapse device.
2. Mark the position on the wall, that corresponds to the location of part #12 on the of panel (A); Drill and insert the expandable screw #13 by hammer.
3. Assemble the part #12 to the wall. Align the hole in the part #12 with the expandable screw #13, use screw #5 to attach it and tighten by screwdriver #17.

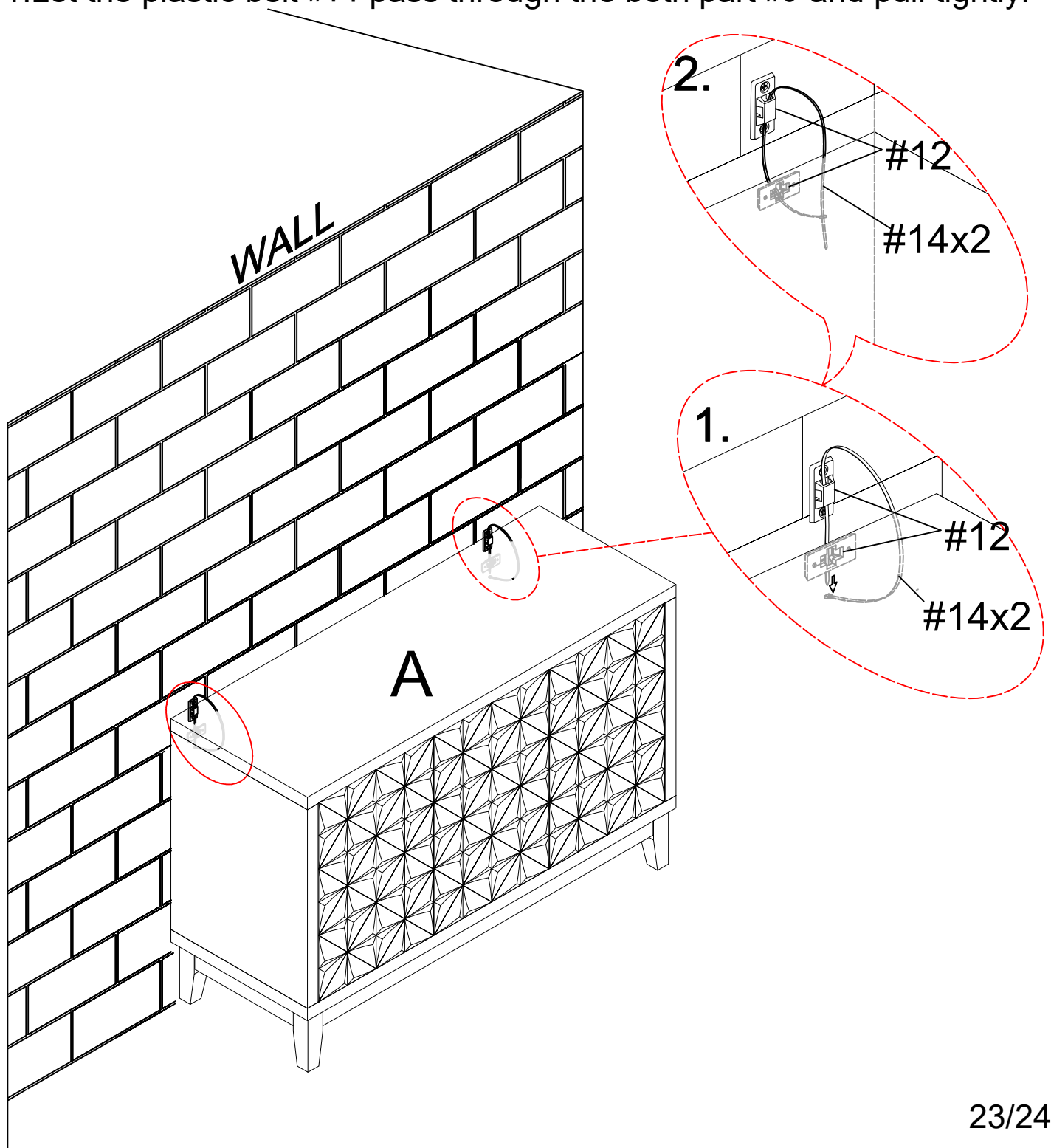


# ASSEMBLY INSTRUCTIONS



## STEP-17

1. Let the plastic belt #14 pass through the both part #9 and pull tightly.



# WARRANTY

1. We strive to offer high-quality products, and we also try our best to satisfy each and every customer that orders from us with product or service as needed.
2. We provide 30 days warranty starting from the time you receive the item. Each customer must provide a record of their order such as the order number, or item receipt for any items that are out of the warranty period you may also still receive.
3. Replacement parts by purchasing them with our company if they are available.

Are you having difficulty  
With assembly? Missing parts?  
Please send email with your order No to  
[customerservice@hulalahome.com](mailto:customerservice@hulalahome.com)  
For return, please check the return policy with  
the retailer or market place you bought from.

Appreciate your purchasing from us.  
Pop up your life by our furniture piece!