

HULALA

H O M E



ITEM NO.SCCL0878

NOTE:

This brochure contains IMPORTANT safety info. Please read and keep for future reference.

MAINTAINANCE AND WARNING

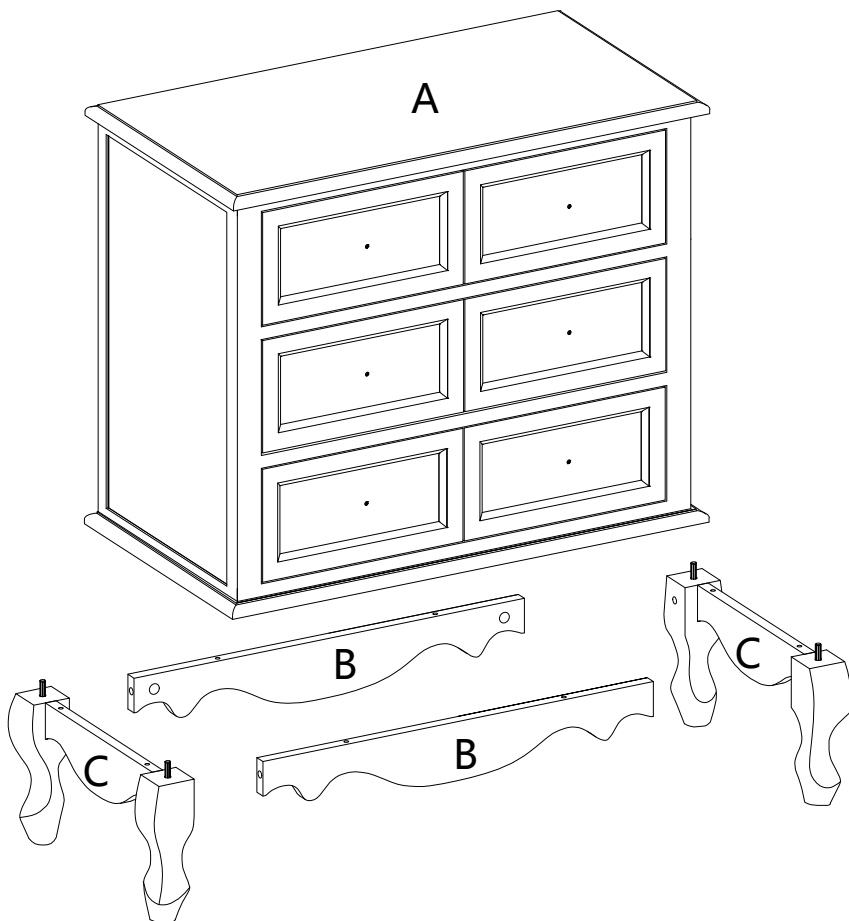
- 1.Keep furniture away from heat sources.
- 2.Do not clean furniture with harsh cleaner or polishes.Do not use detergents,solvents,abrasives,spray packs or leather cleaner. Use non-color mild soa with warm water to clean spills(Mix 1:10 soap to water).
- 3.Do not place furniture under direct sunlight,material will possibly fade over time.
- 4.Do not use on site dry cleaning machine.Children should not climb or jump on the furniture.
- 5.Do not write on furniture that is not protectedby a padded barrier.
- 6.Not for commercial use,only for residential use.



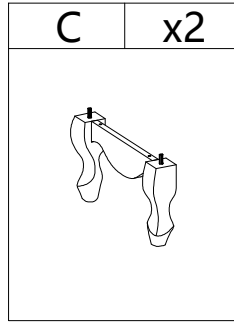
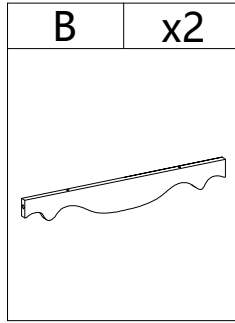
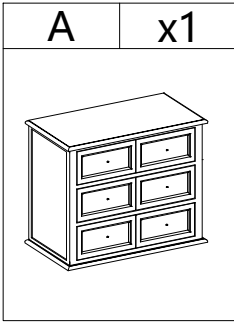
Weight Limitation

110 LBS









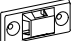
EXPLOSIVE VIEW




PARTS LIST




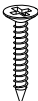


HARDWARE LIST

#1	x4	#2	x4	#3	x4	#4	x8	#5	x2	#6	x2
											
Ø6*35mm		Ø15*11mm				M4*40mm		M3.5*15mm		M4*35mm	
#7	x2	#8	x1	#9	x2						
											

TOOL LIST

#10	x1
	

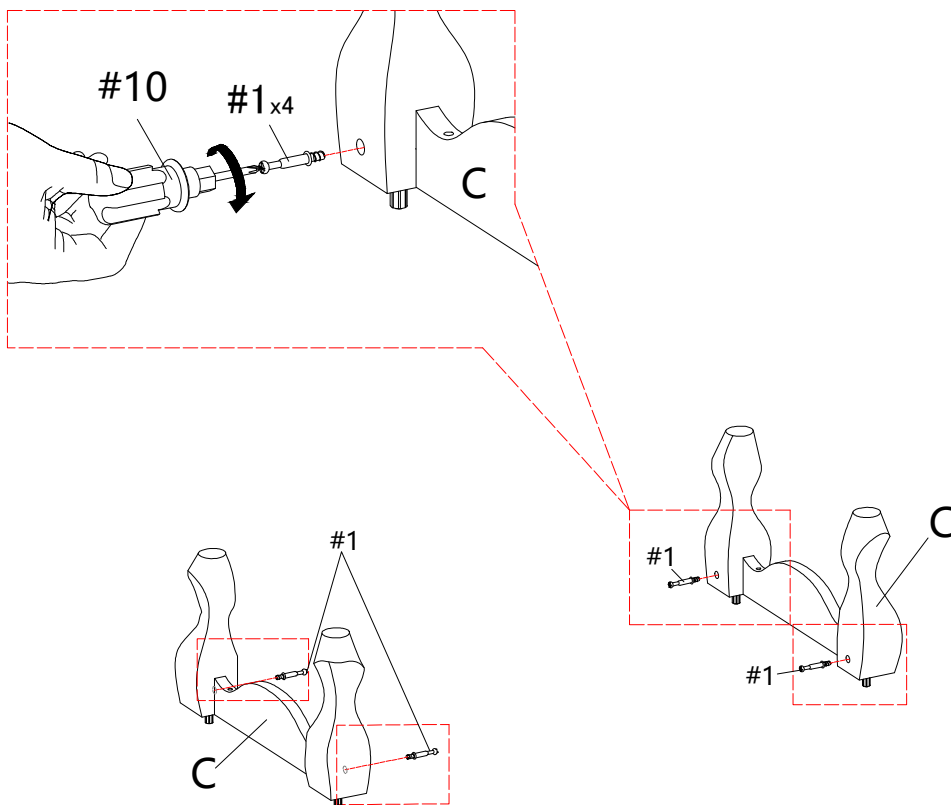
HARDWARE SPARE LIST



#1	x1	#4	x1	#5	x1	#6	x1
							
Ø6*35mm		M4*40mm		M3.5*15mm		M4*35mm	

ASSEMBLY INSTRUCTIONS

STEP-1

Insert screw bolt #1 into the corresponding hole of leg (C), tighten bolt #1 with screwdriver #10.

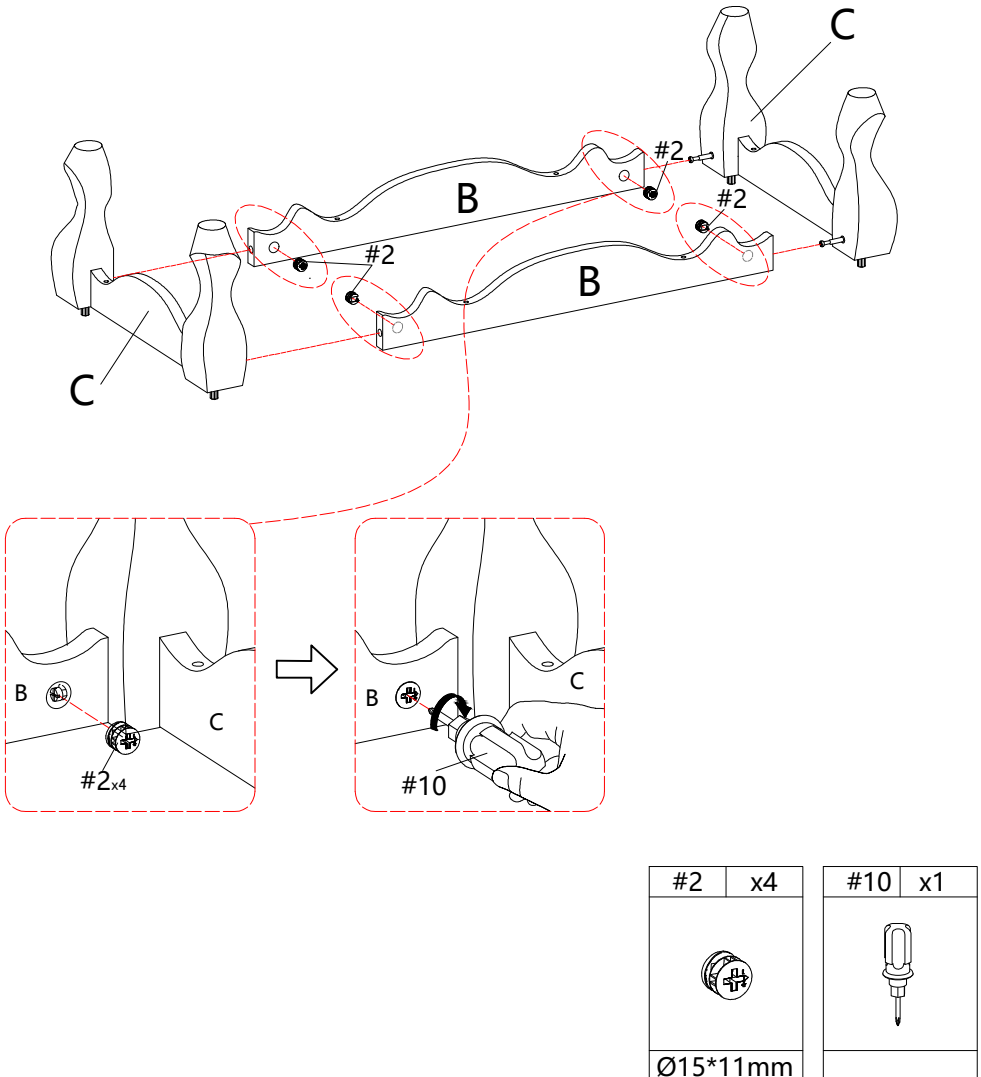


#1	x4	#10	x1
			
Ø6*35mm			

ASSEMBLY INSTRUCTIONS

STEP-2

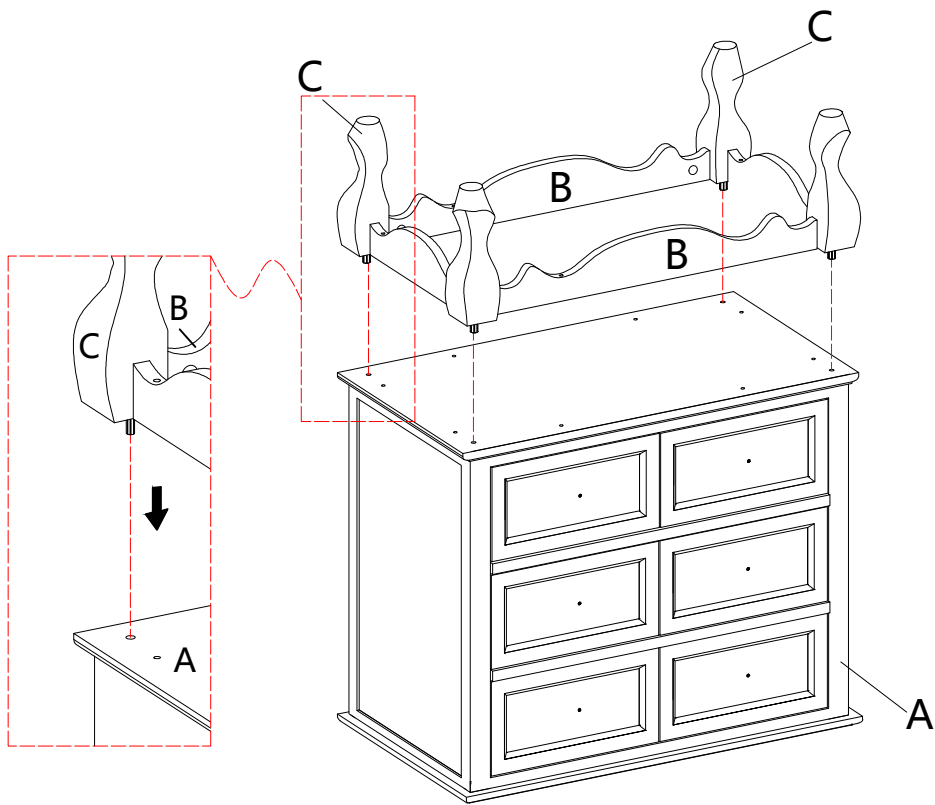
Insert leg (C) into the panel (B), and then insert cam bolt #2 into the panel (B) tighten cam bolt #2 with screwdriver #10.



ASSEMBLY INSTRUCTIONS

STEP-3

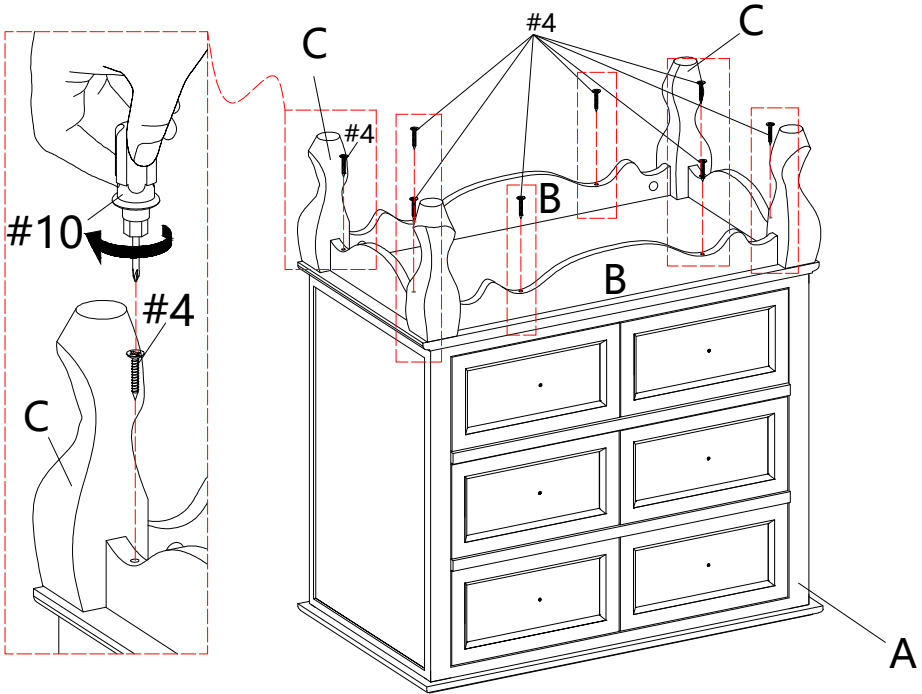
Insert preassemble step 2 into panel (A) and make sure all the holes are aligned.





ASSEMBLY INSTRUCTIONS

STEP-4

In preassemble step 3, make sure all holes aligned and then use bolt #4 to attach them, tighten bolt #4 with screwdriver #10.

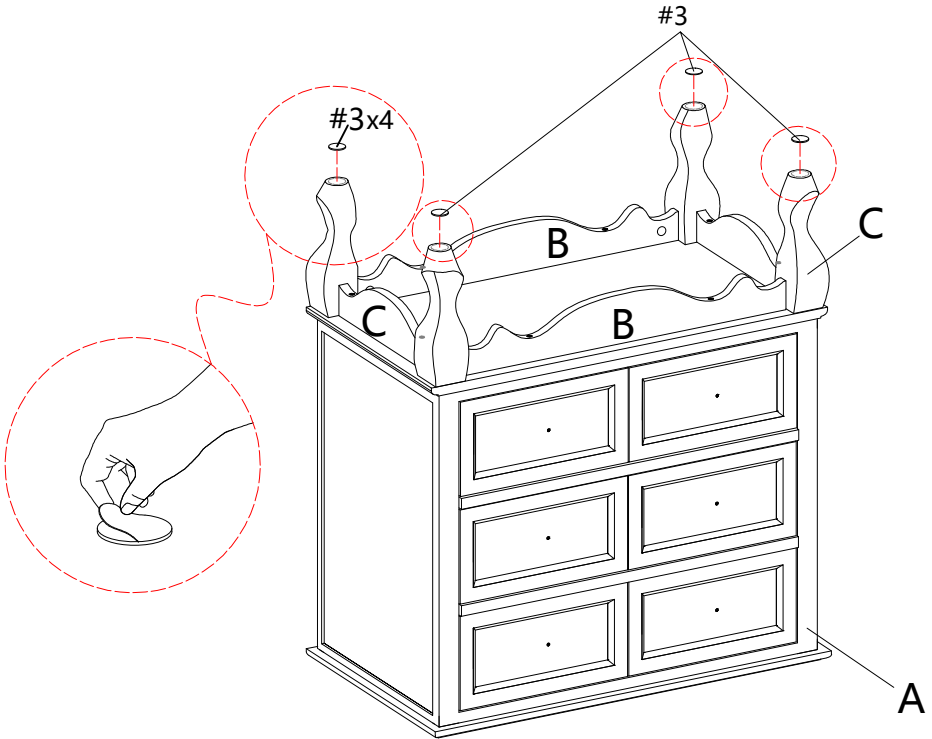



#4	x8	#10	x1
			
M4*40mm			

ASSEMBLY INSTRUCTIONS

STEP-5

As shown in the figure, remove the #3 back protective layer and attach the felt mat #3 to the leg (C).

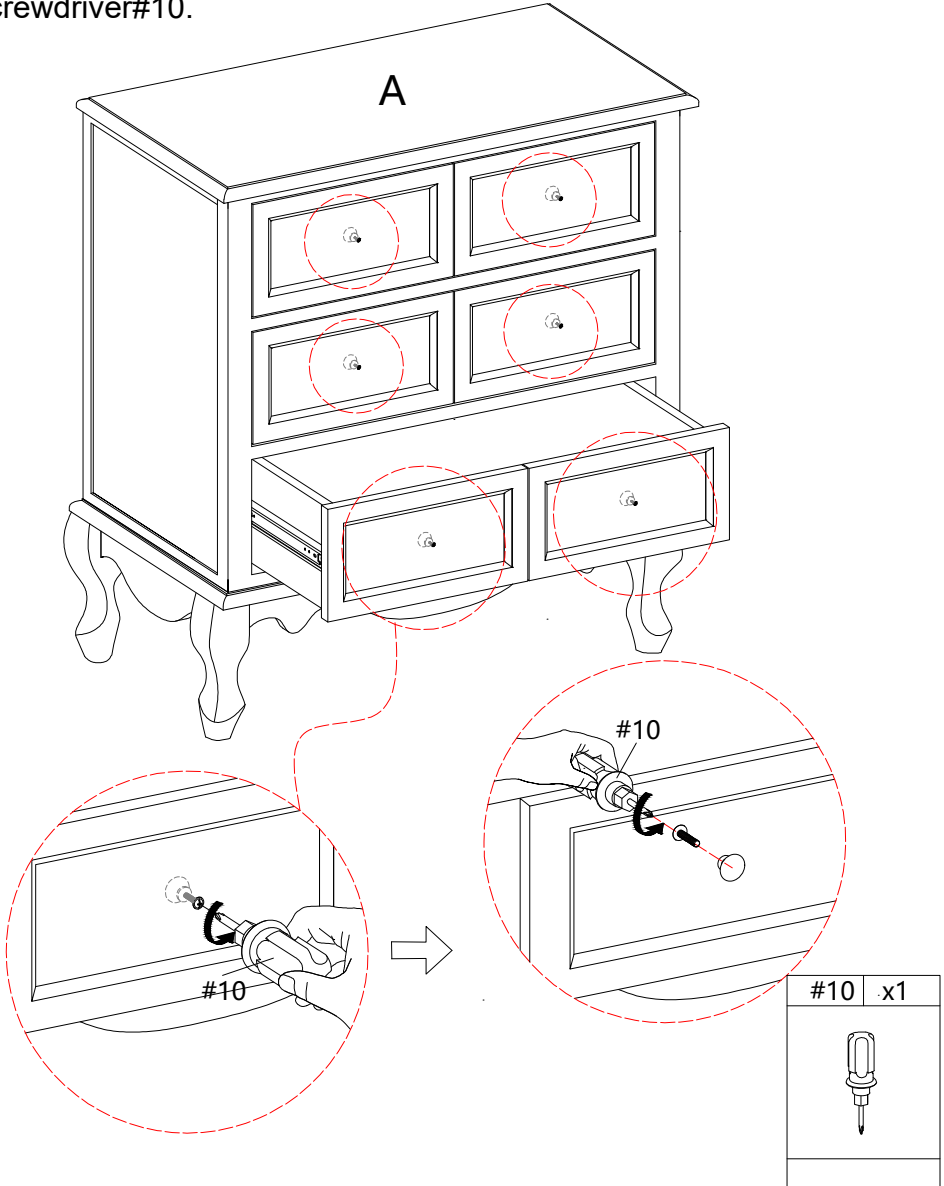


#3	x4
	


ASSEMBLY INSTRUCTIONS

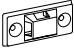
STEP-6


Remove the screw using #10 screwdriver, place the handle in front of drawer panel, connect the handle with a screw and lock the screw with a screwdriver#10.



ASSEMBLY INSTRUCTIONS

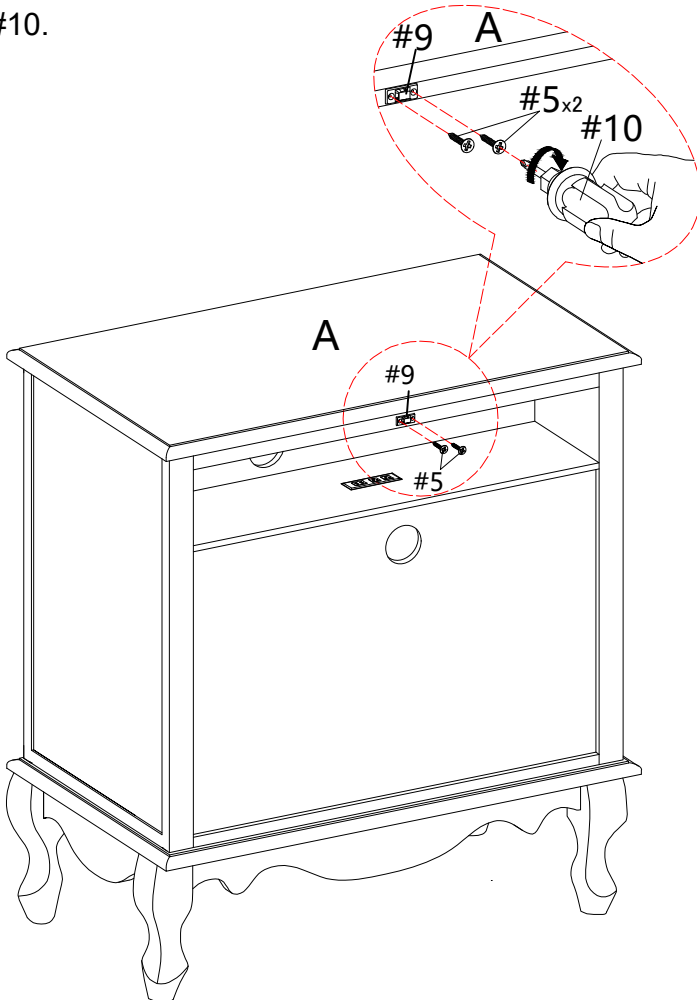
#5	x2
	
M3.5*15mm	

#9	x1
	



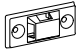

#10	x1
	

STEP-7

Use screw #5 to plastic bracket #9 to panel (A),tighten screw #5 with screwdriver #10.

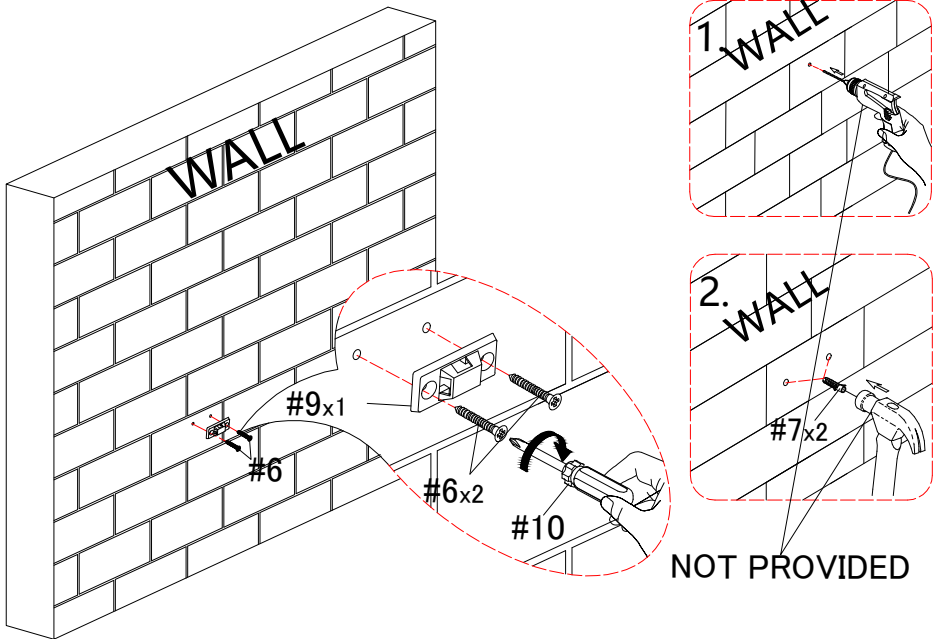


ASSEMBLY INSTRUCTIONS

#6	x2	#7	x2	#9	x1	#10	x1
							
M4*35mm							

STEP-8:

1. Mark the position on the wall, that corresponds to the location of bracket #9 on the top panel (A); Drill and insert the expandable screw #7 by hammer.
2. Assemble the bracket #9 to the wall. Align the hole in the bracket #9 with the expandable screw #7, use screw #6 to attach it, tighten screw #6 with screwdriver #10.

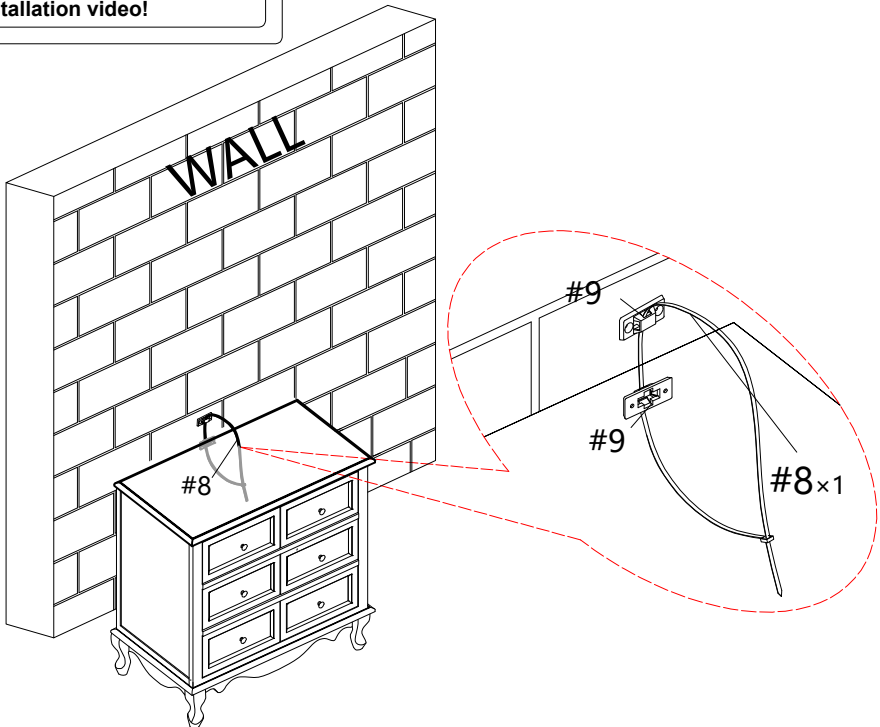
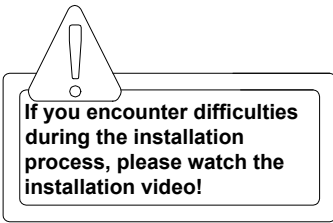


ASSEMBLY INSTRUCTIONS



STEP-9:

3. Let the plastic belt #8 pass through bracket #9 and pull tightly.



WARRANTY

1. We strive to offer high-quality products, and we also try our best to satisfy each and every customer that orders from us with product or service as needed.
2. We provide 30 days warranty starting from the time you receive the item. Each customer must provide a record of their order such as the order number, or item receipt for any items that are out of the warranty period you may also still receive.
3. Replacement parts by purchasing them with our company if they are available.

Are you having difficulty
With assembly? Missing parts?
Please send email with your order No to
customerservice@hulalahome.com
For return, please check the return policy with
the retailer or market place you bought from.

Appreciate your purchasing from us.
Pop up your life by our furniture piece!