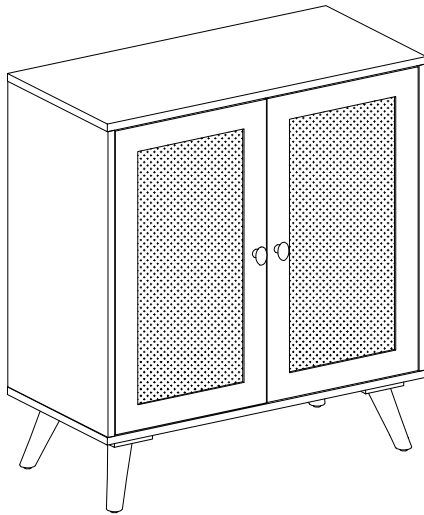


# HULALA

---

H O M E



**ITEM NO.SCLS0844**

---

**NOTE:**

This brochure contains IMPORTANT safety info. Please read and keep for future reference.

---

# MAINTAINANCE AND WARNING

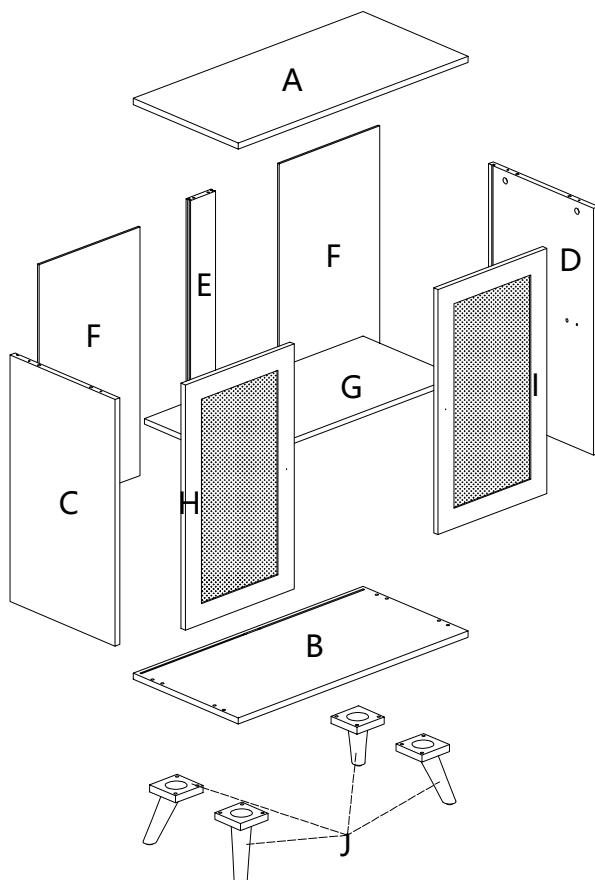
- 1.Keep furniture away from heat sources.
- 2.Do not clean furniture with harsh cleaner or polishes.Do not use detergents,solvents,abrasives,spray packs or leather cleaner. Use non-color mild soa with warm water to clean spills(Mix 1:10 soap to water).
- 3.Do not place furniture under direct sunlight,material will possibly fade over time.
- 4.Do not use on site dry cleaning machine.Children should not climb or jump on the furniture.
- 5.Do not write on furniture that is not protectedby a padded barrier.
- 6.Not for commercial use,only for residential use.



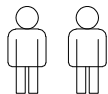
Weight Limitation

**110 LBS**

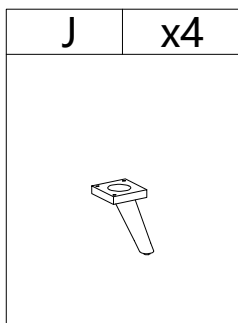
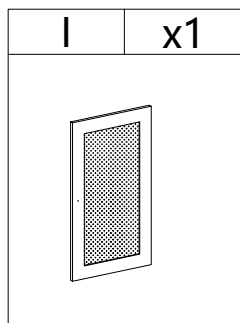
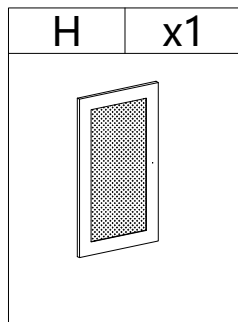
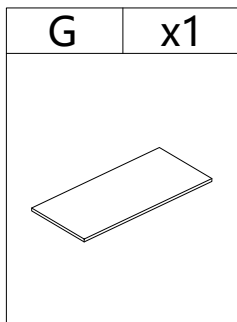
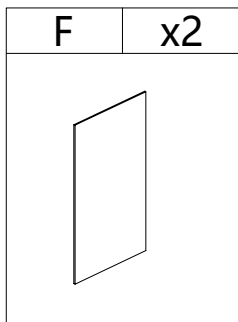
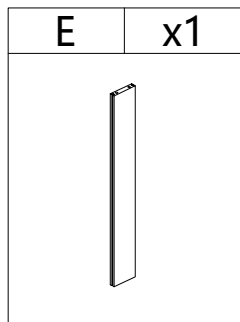
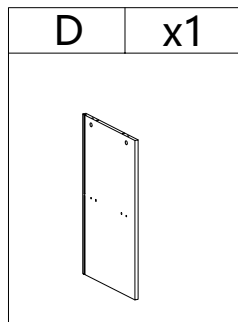
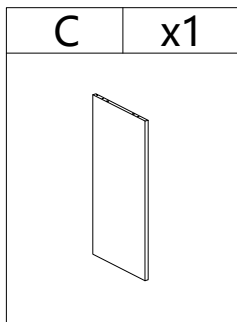
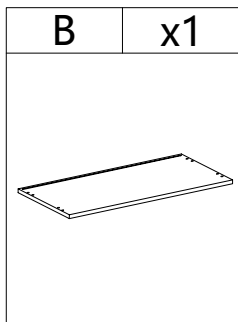
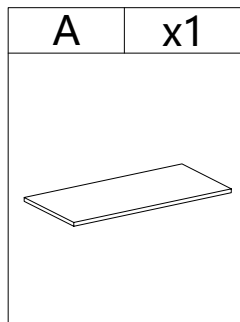
# EXPLOSIVE VIEW






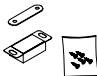





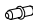



2PEOPLE



# PARTS LIST




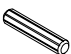




# HARDWARE LIST

#1	x6	#2	x8	#3	x12	#4	x4	#5	x32	#6	x2
											
φ6x35mm		φ8x30mm		M6x25mm				M3.5x14mm			
#7	x6	#8	x6	#9	x6	#10	x4	#11	x4	#12	x1
											
M7x50mm		φ15x11mm		φ20mm							
#13	x8										
											

# TOOL LIST

#14	x1	#15	x1	#9	x1	#13	x1
							
M4				φ20mm			

# HARDWARE SPARE LIST

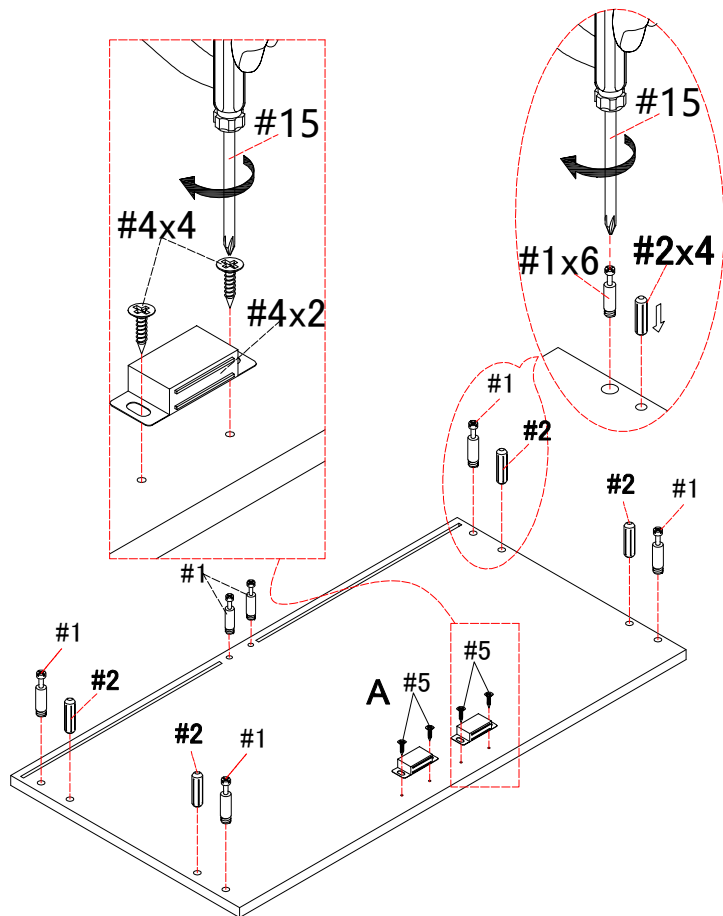
#1	x1	#2	x1	#3	x1	#5	x4	#7	x1	#8	x6
											
φ6x35mm		φ8x30mm		M6x25mm		M4x35mm		M7x50mm		φ15x11mm	

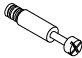
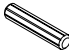

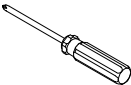
# ASSEMBLY INSTRUCTIONS

## STEP-1

Insert wooden dowel #2 into the corresponding hole of top panel (A) as picture show, and then screw bolt #1 into the corresponding hole of top panel(A),tighten it with screwdriver#15.

Use screw #4 to attach part #4 to the corresponding hole of top panel(A),tighten screw#4 with screwdriver#15.

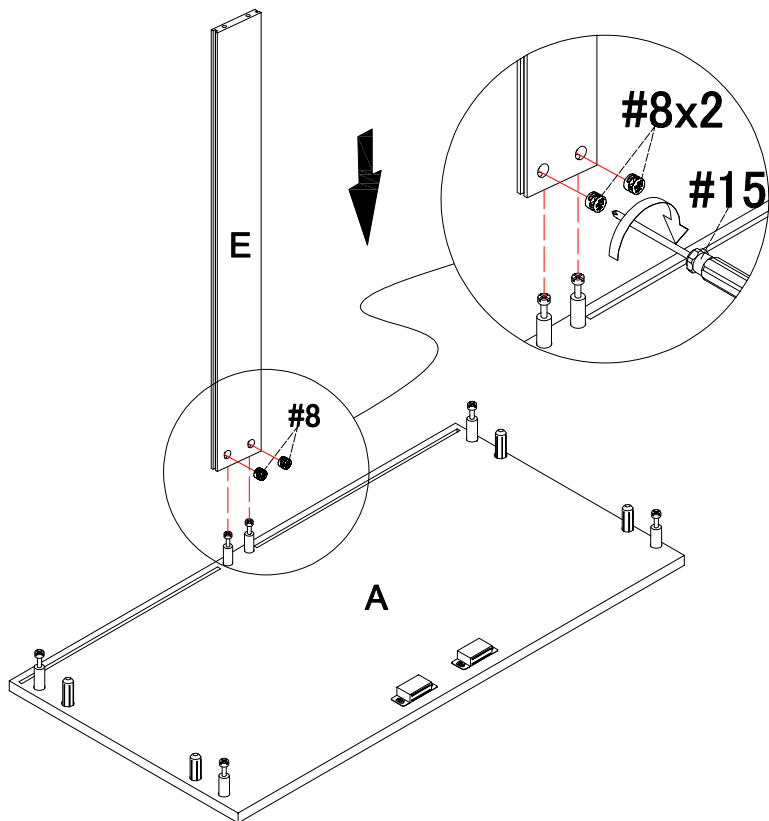


#1	x6	#2	x4	#4	x2	#15	x1
							
ø6x35mm		ø8x30mm					

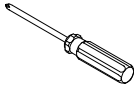
# ASSEMBLY INSTRUCTIONS

## STEP-2

Insert panel(E) into the corresponding hole of panel(A),and then insert cam bolt #8 into the corresponding hole of panel (E),tighten cam bolt #8 with screwdriver #15.



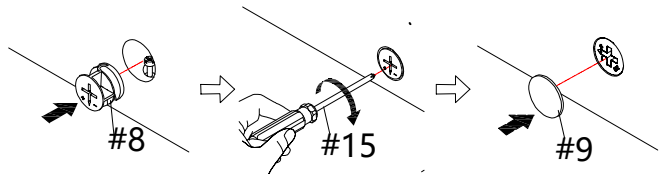
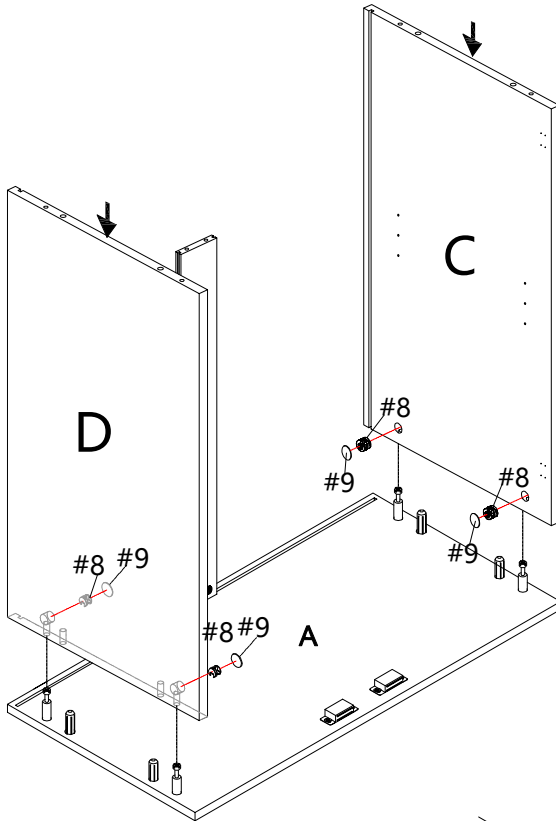
#8	x2
	
Ø15x11mm	



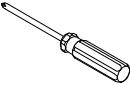
#15	x1
	

# ASSEMBLY INSTRUCTIONS

## STEP-3

Insert side panel(C)&(D) into the corresponding hole of panel(A),and then insert cam bolt #8 into the corresponding hole of panel(C)&(D),tighten cam bolt #8 with screwdriver #15.



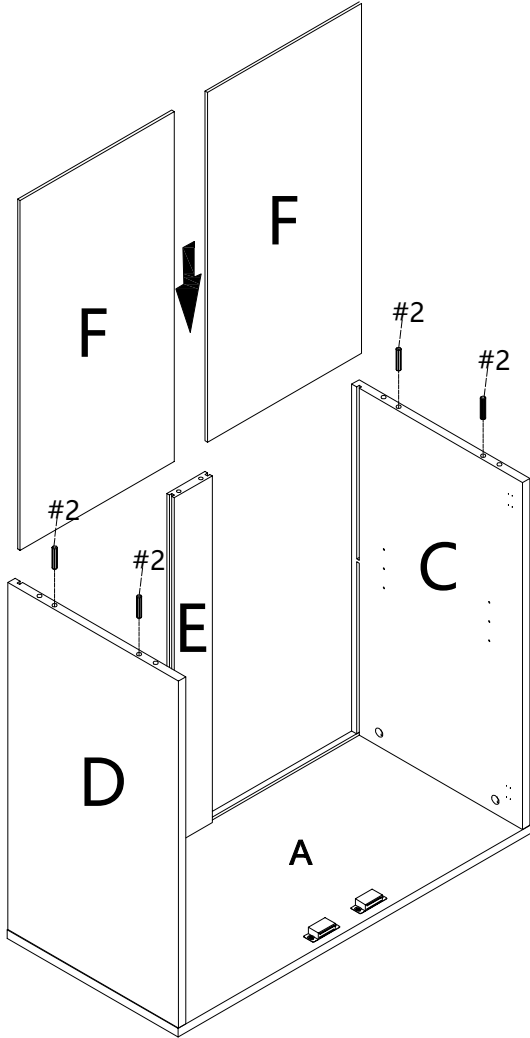
#8	x4	#9	x4	#15	x1
					
ø15x11mm		ø20mm			

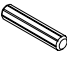


# ASSEMBLY INSTRUCTIONS

## STEP-4

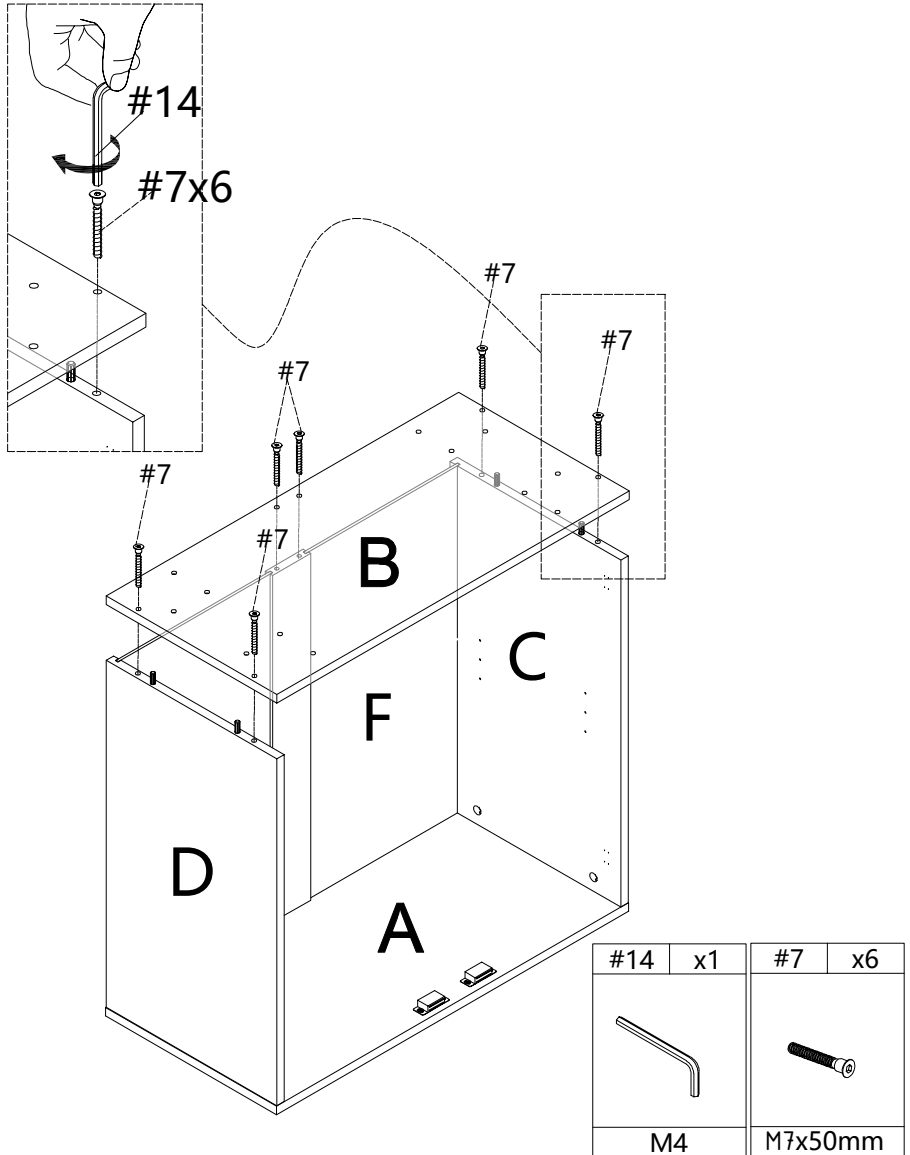
Carefully align and slide panel (F) into the groove along rear edge of pre-assembled step 3, and insert wooden dowel #2 into the corresponding hole of panel (C)&(D).



#2	x4
	
ø8x30mm	

# ASSEMBLY INSTRUCTIONS

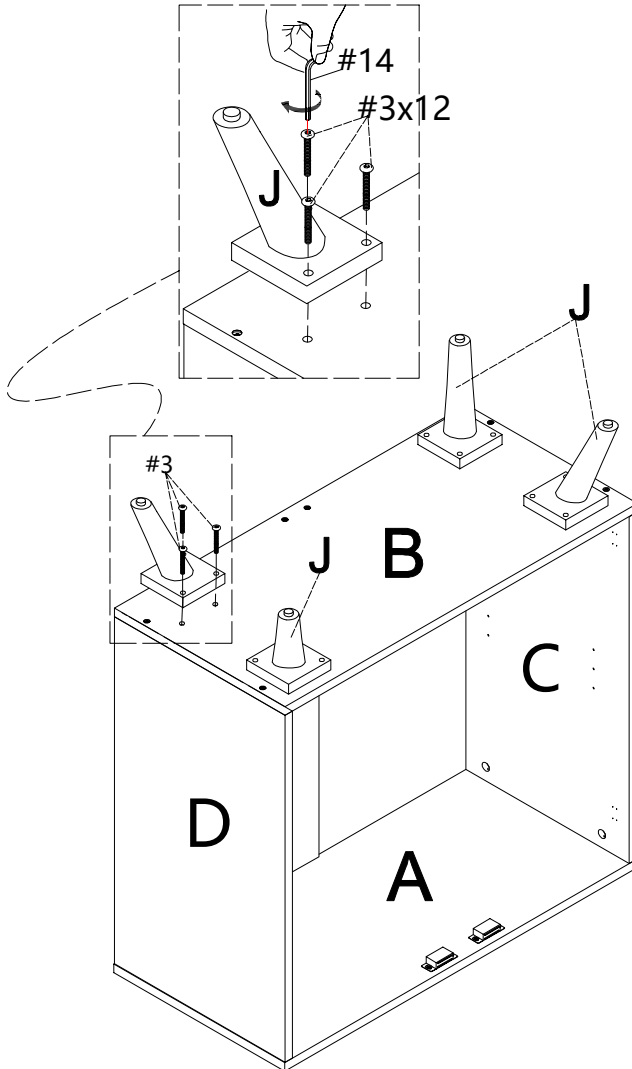
Use bolt #7 to attach panel (B) to side panel (C)&(D), make sure all holes aligned and tighten bolt #7 with allen key #14.


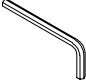


# ASSEMBLY INSTRUCTIONS

## STEP-6

Use bolt #3 to attach legs (J) to bottom panel (B), make sure all holes aligned and tighten bolt #3 with allen key #14.

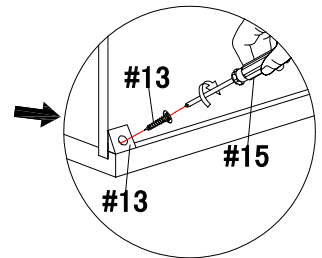
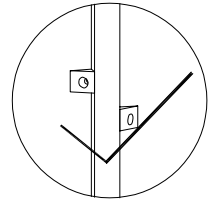
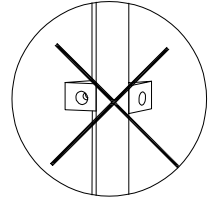
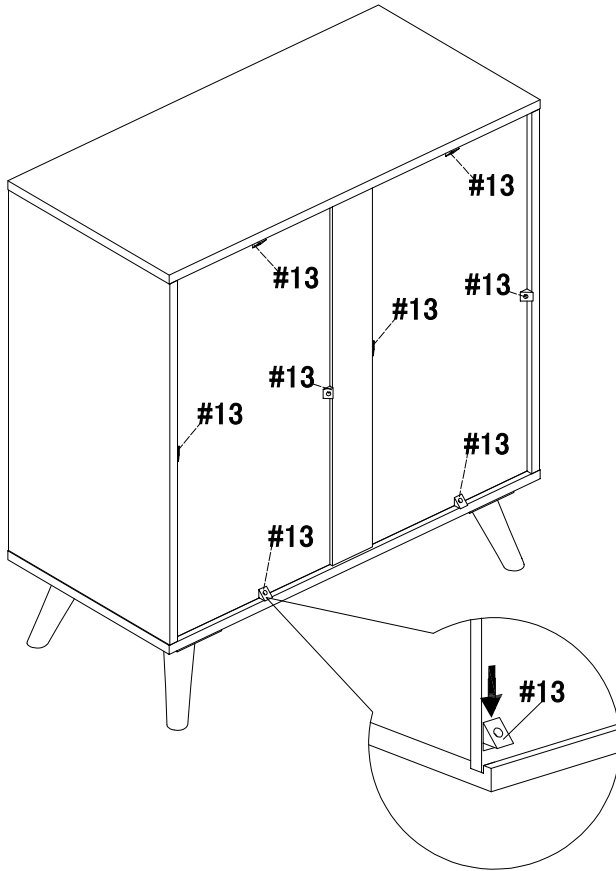




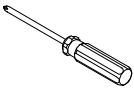
#3	x12	#14	x1
			
M6x25mm		M4	

# ASSEMBLY INSTRUCTIONS

## STEP-7

Use screw #13 to attach part #13 to panel(A)&(B)&(C)&(D),tighten it with screwdriver#15.

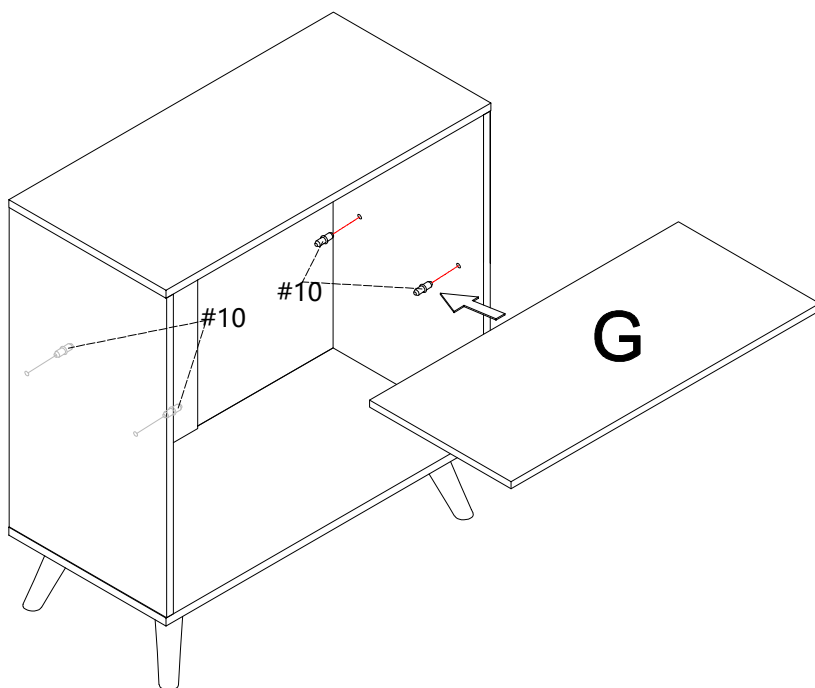


#13	x8	#15	x1
			

# ASSEMBLY INSTRUCTIONS

## STEP-8

Insert part #10 into the corresponding hole of side panel(C)&(D), and then attach panel(G) to it.

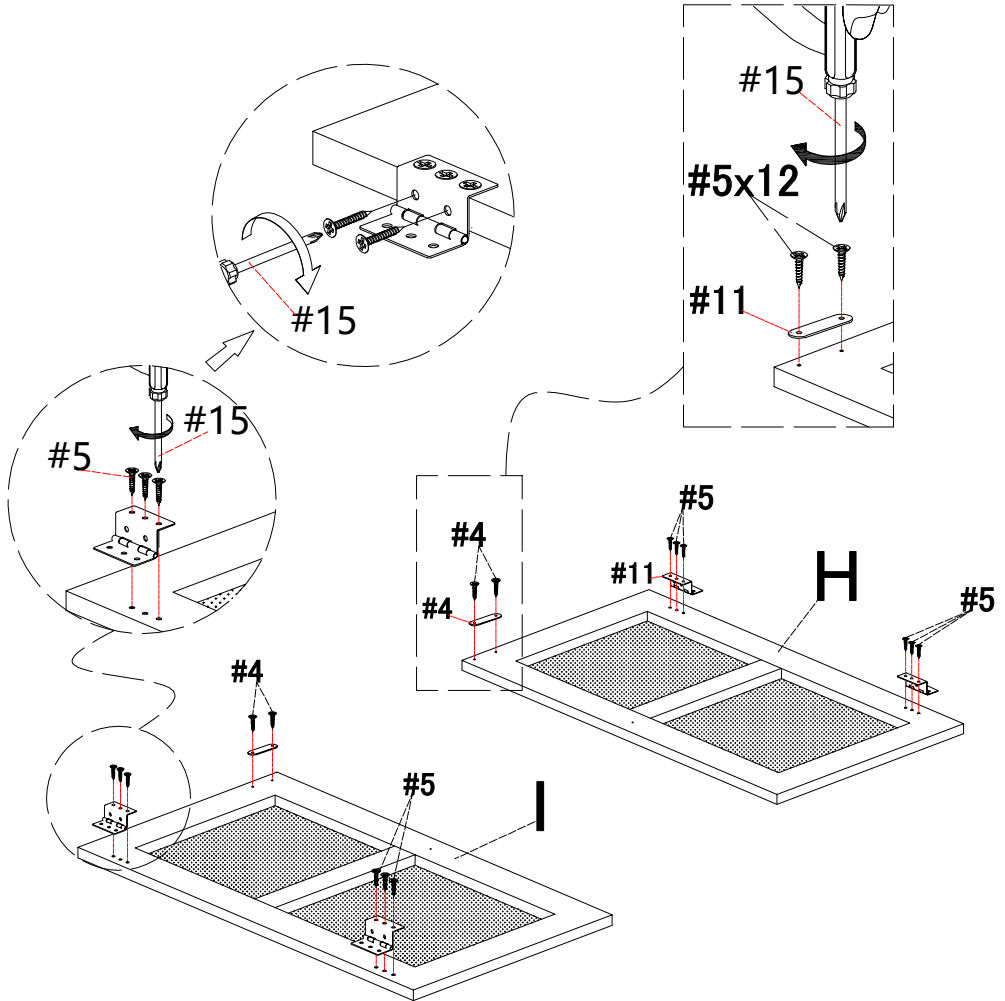


#10	x4
	

# ASSEMBLY INSTRUCTIONS

## STEP-9

Use screw#5 to attach part#11 to the corresponding hole of door(I)&(H) as picture show, tighten it with screwdriver#15.

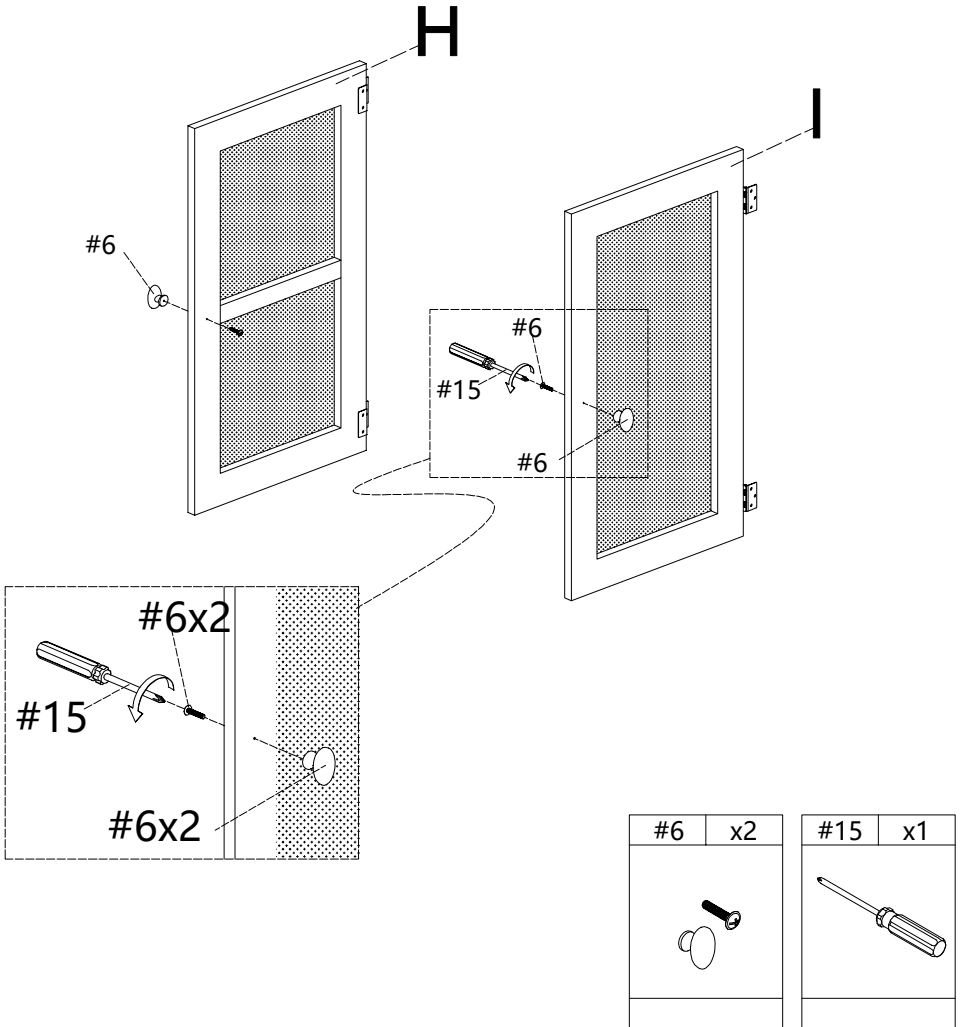


#4	x2	#5	x20	#11	x4	#15	x1
		M3.5x14mm					

# ASSEMBLY INSTRUCTIONS

## STEP-10

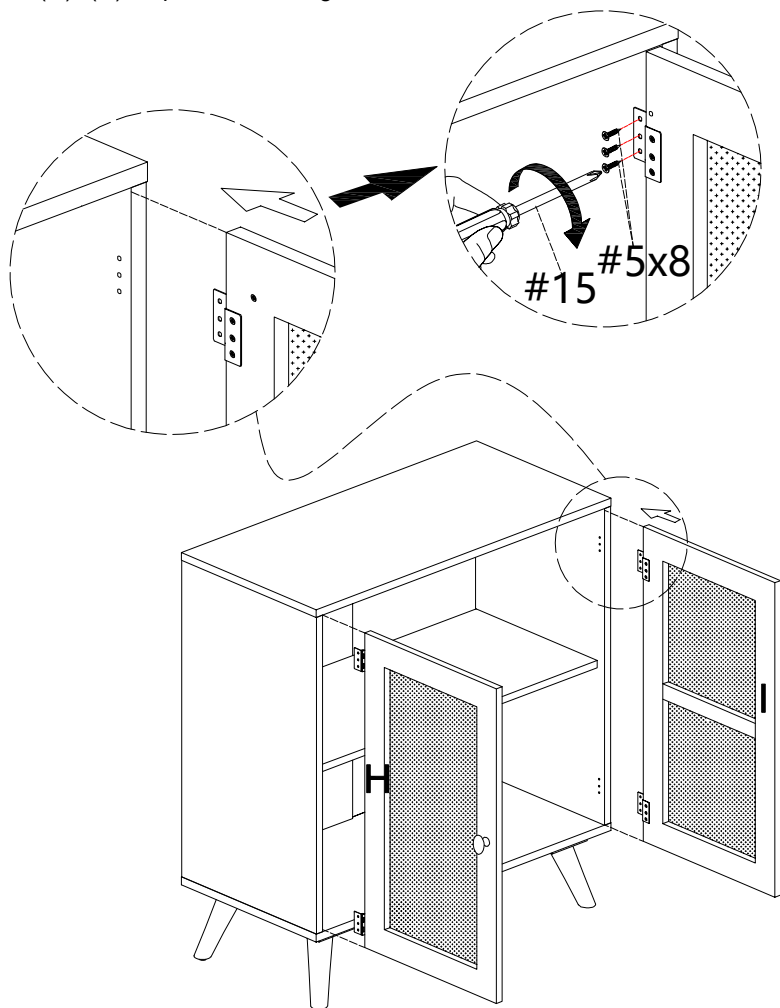
Use screw#6 to attach handle#6 to the corresponding hole of door(I)&(H) as picture show, tighten it with screwdriver#15.


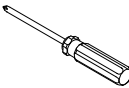


# ASSEMBLY INSTRUCTIONS

## STEP-11

Use screw#5 to attach preassemble door(H)&(I) to the corresponding hole of side panel(C)&(D) as picture show,tighten it with screwdriver#15.



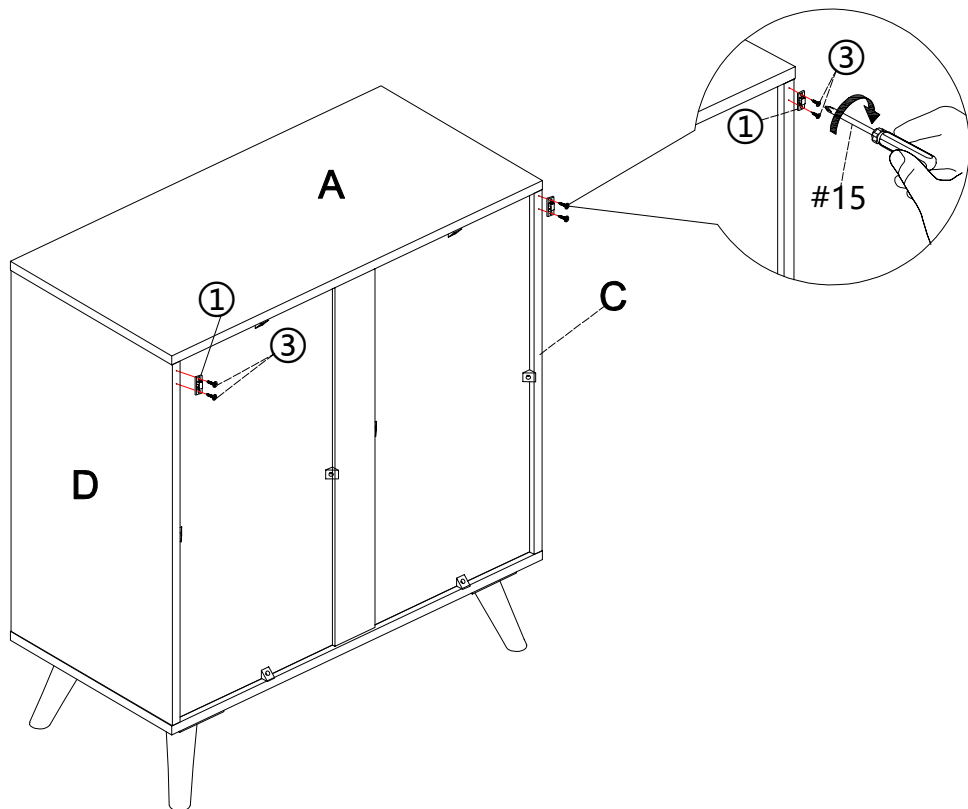
#5	x12	#15	x1
			
M3.5x14mm			



# ASSEMBLY INSTRUCTIONS

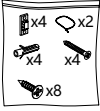
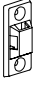


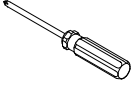
## STEP-12

Use screw③ to attach part① to the corresponding hole of side panel(C)&(D) as picture show,tighten it with screwdriver#15.



#12	x1	①	x2	③	x4	#15	x1

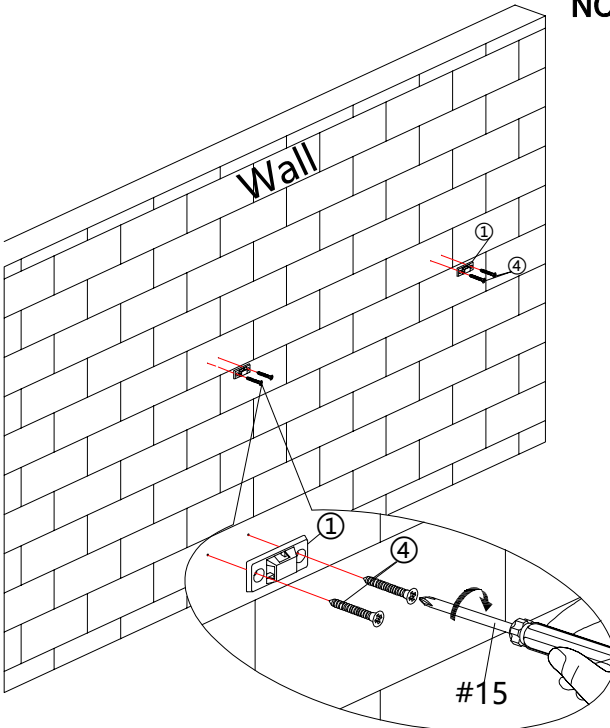
# ASSEMBLY INSTRUCTIONS

#12	x1	①	x2	②	x4	④	x4	#15	x1
									

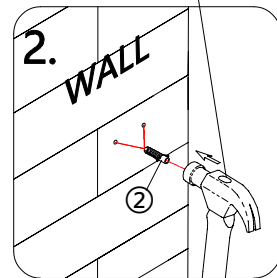
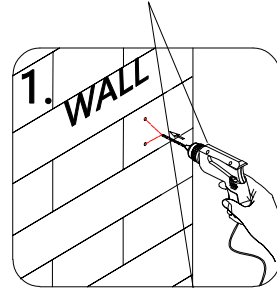
## STEP-13

Mark the position on the wall, that corresponds to the location of part ① on the side panels C,D; Drill and insert the expandable screw ② by hammer.

Assemble the part ① to the wall. Align the hole in the part ① with the expandable screw ②, use screw ④ to attach it and tighten by screwdriver #15.

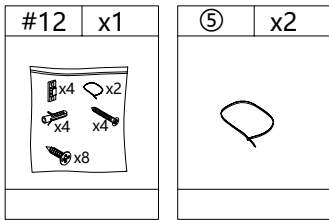


**NOT PROVIDED**

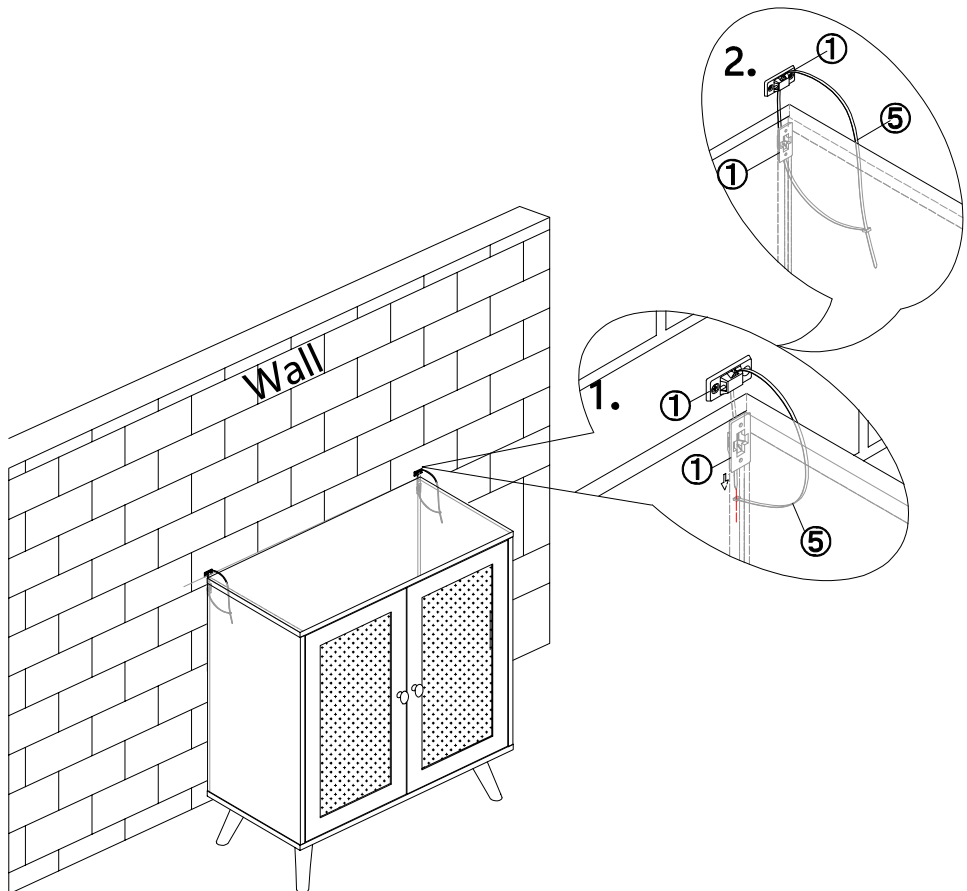


# ASSEMBLY INSTRUCTIONS

## STEP-14



Let the plastic belt ⑤ pass through the both part ① and pull tightly.



# WARRANTY

1. We strive to offer high-quality products, and we also try our best to satisfy each and every customer that orders from us with product or service as needed.
2. We provide 30 days warranty starting from the time you receive the item. Each customer must provide a record of their order such as the order number, or item receipt for any items that are out of the warranty period you may also still receive.
3. Replacement parts by purchasing them with our company if they are available.

Are you having difficulty  
With assembly? Missing parts?  
Please send email with your order No to  
**[customerservice@hulalahome.com](mailto:customerservice@hulalahome.com)**

For return, please check the return policy with  
the retailer or market place you bought from.

Appreciate your purchasing from us.  
Pop up your life by our furniture piece!