

HULALA

H O M E



ITEM NO.SCLS0965

NOTE:

This brochure contains IMPORTANT safety info. Please read and keep for future reference.

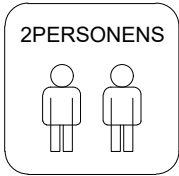
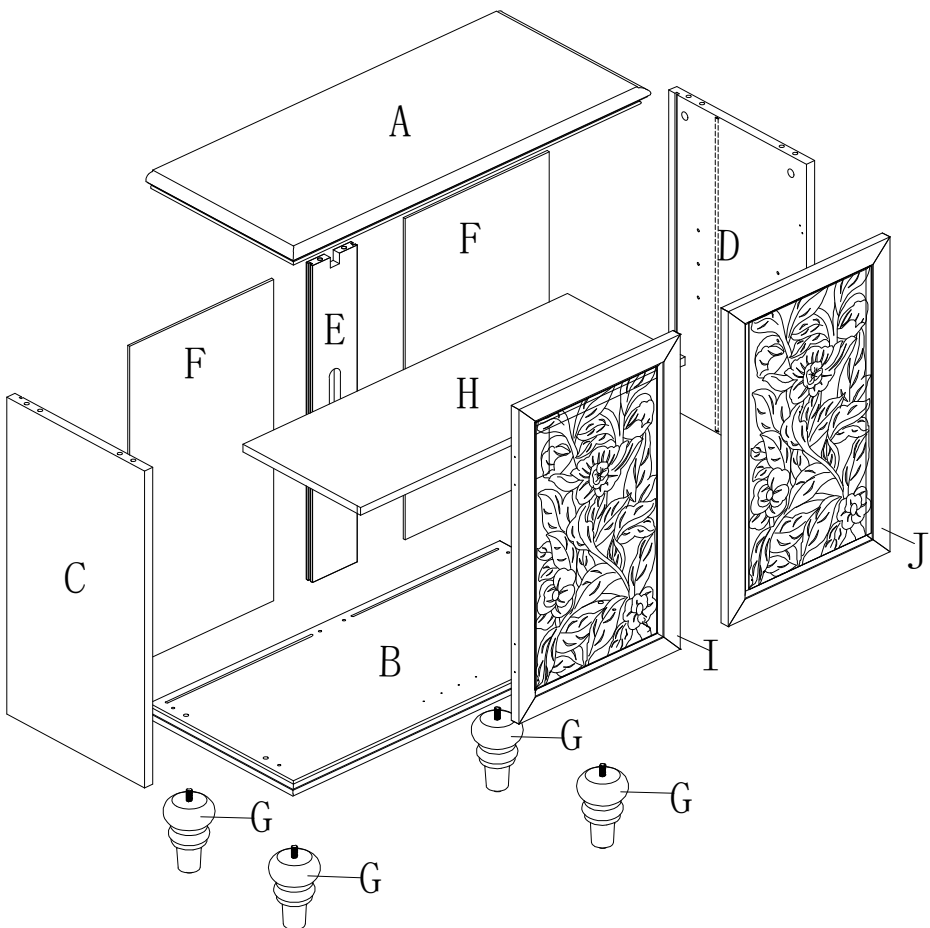
MAINTAINANCE AND WARNING

- 1.Keep furniture away from heat sources.
- 2.Do not clean furniture with harsh cleaner or polishes.Do not use detergents,solvents,abrasives,spray packs or leather cleaner. Use non-color mild soa with warm water to clean spills(Mix 1:10 soap to water).
- 3.Do not place furniture under direct sunlight,material will possibly fade over time.
- 4.Do not use on site dry cleaning machine.Children should not climb or jump on the furniture.
- 5.Do not write on furniture that is not protectedby a padded barrier.
- 6.Not for commercial use,only for residential use.

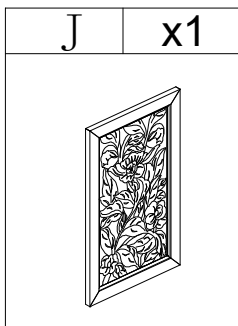
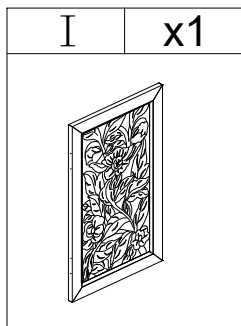
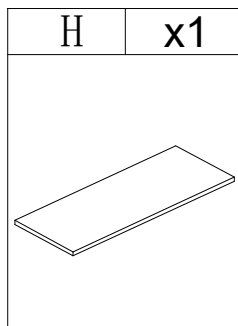
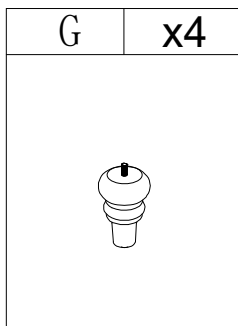
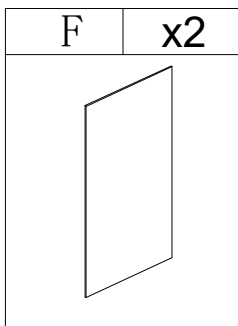
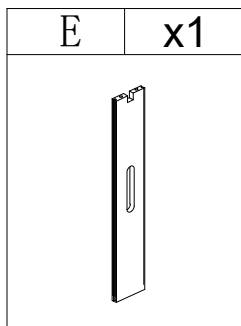
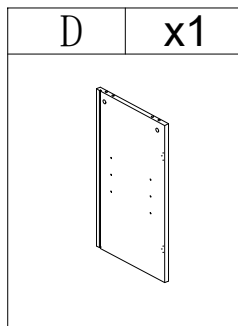
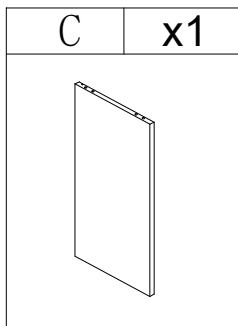
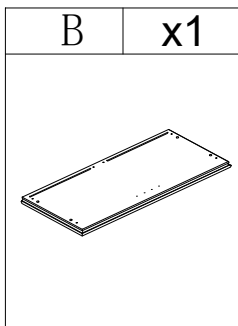
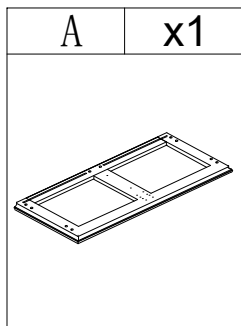


Weight Limitation





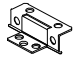



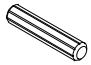

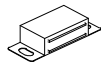



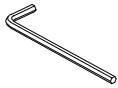
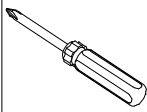
LB 110 LBS









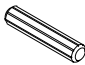
PARTS LIST 1



HARDWARE LIST

#1	x6		$\phi 6*35\text{mm}$
#2	x6		$\phi 15*11\text{mm}$
#3	x4		
#4	x6		$\phi 21$
#5	x4		
#6	x44		M3*14mm
#7	x2		
#8	x5		M6*50mm
#9	x9		$\phi 8*30\text{mm}$
#10	x8		
#11	x2		
#12	x2		
#13	x1		
#14	x1		
#15	x1		M6
#16	x1		

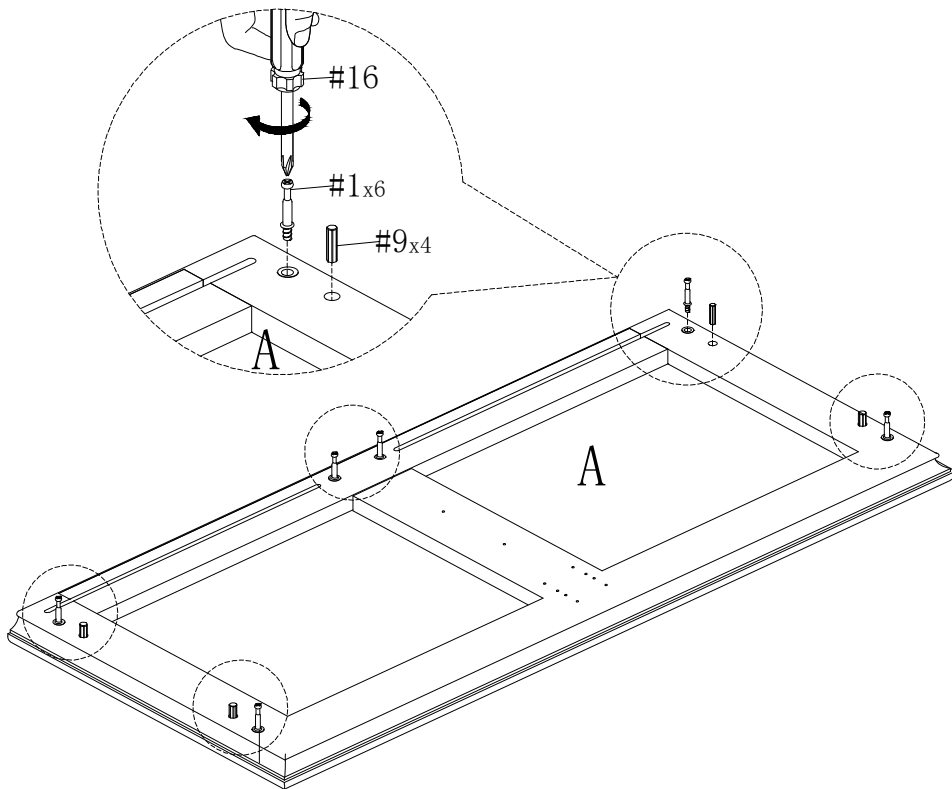
HARDWARE SPARE LIST


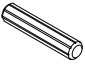
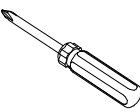
#1	x1		$\phi 6*35\text{mm}$
#2	x1		$\phi 15*11\text{mm}$
#3	x1		
#4	x1		$\phi 21$
#6	x4		M3*14mm
#8	x1		M6*50mm
#9	x1		$\phi 8*30\text{mm}$

ASSEMBLY INSTRUCTIONS

STEP-1

Prepare for part A. Align the holes in part A, insert wooden dowel #9 by hand, tighten bolts #1 with screwdriver #16.



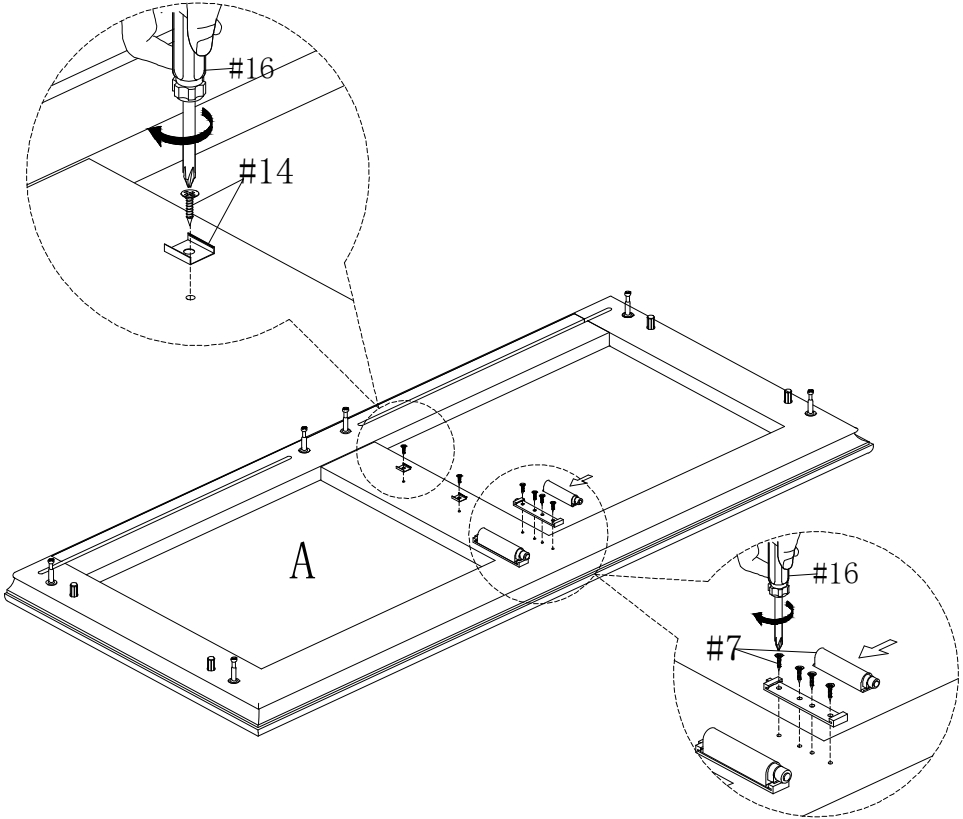
#1	x6	#9	x4	#16	x1
					
φ6*35mm		φ8*30mm			

ASSEMBLY INSTRUCTIONS

STEP-2

Use screw #7 to attach rebound device #7 to top panel (A) , tighten bolts with screwdriver#16.

Use screw #14 to attach part #14 to top panel (A) , tighten bolts with screwdriver#16.

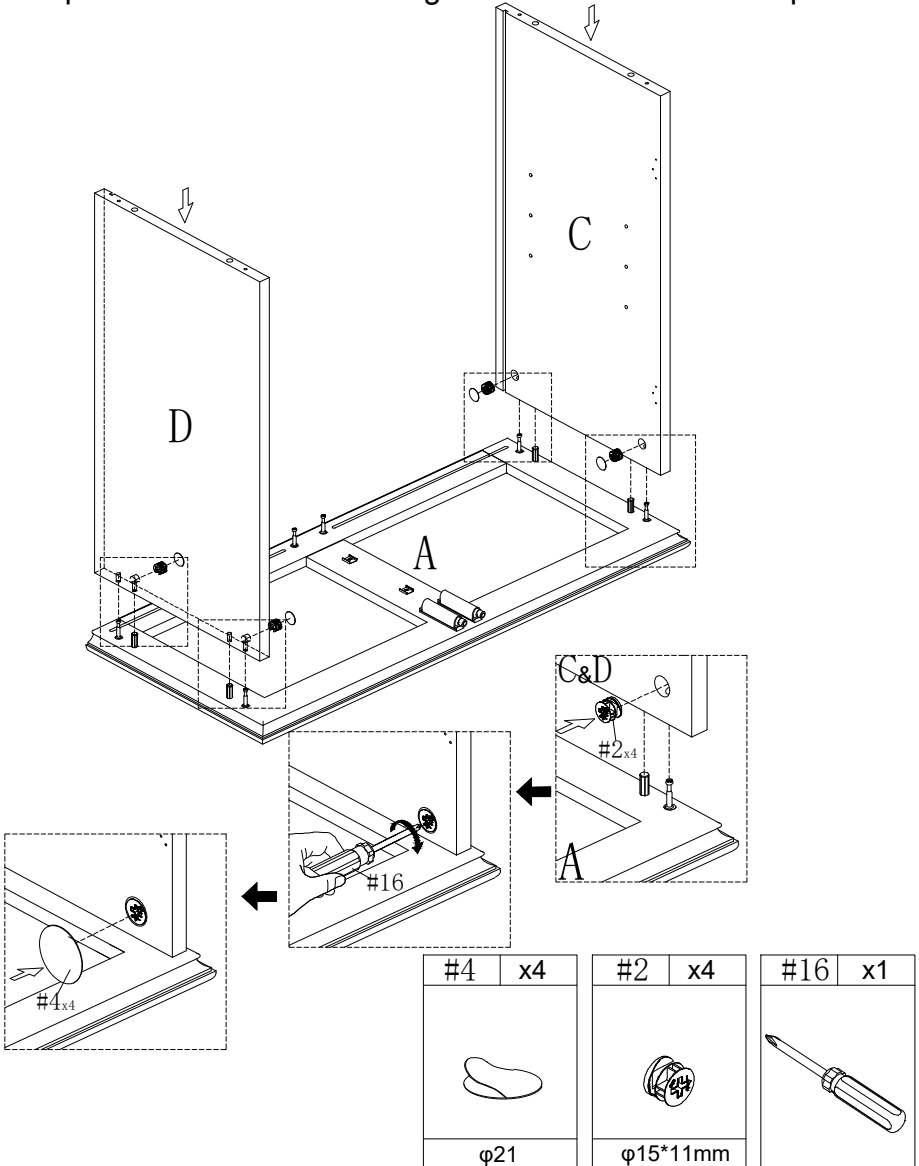


#14	x1	#7	x2	#16	x1

ASSEMBLY INSTRUCTIONS

STEP-3

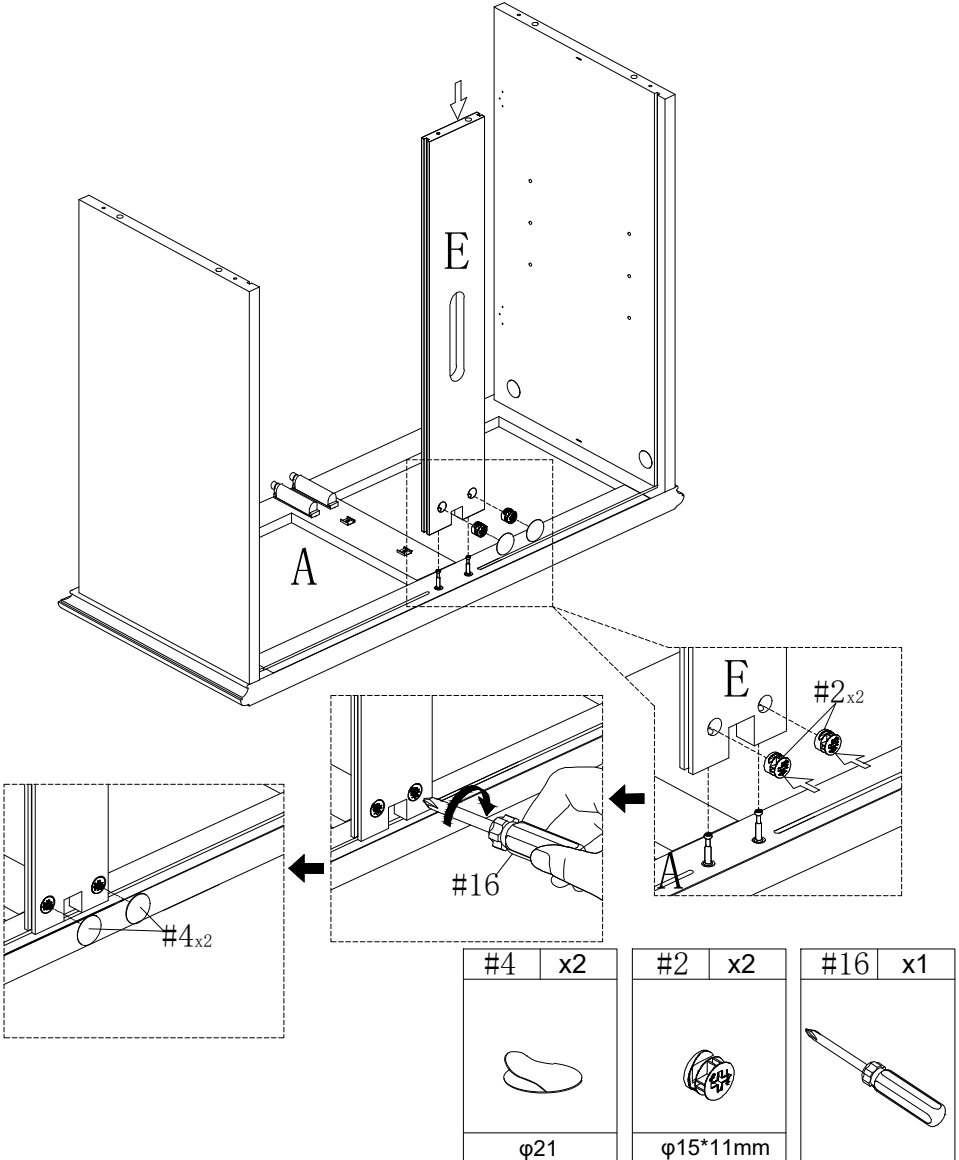
Connect the part A with part C&D. align the hole in the part C&D ,insert the bolt #1 and wooden dowel #9 in part A into part C&D. insert cam bolt #2 into the corresponding hole of side panel C&D, and tighten cam bolts #2 with a screwdriver #16. After installation, cover the screw holes with paster #4. Make sure the groove is in same side as picture show.



ASSEMBLY INSTRUCTIONS

STEP-4

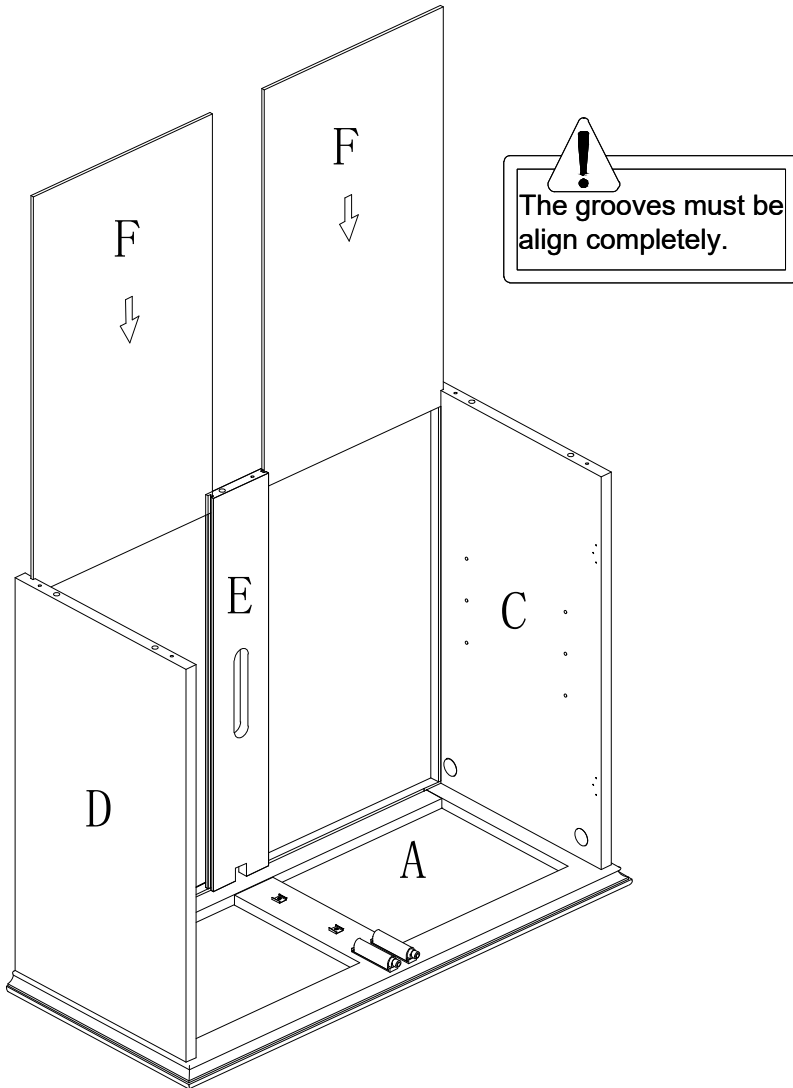
Connect the part A with part E. align the hole in the part E,insert the bolt #1 in part A into part E. insert cam bolt #2 into the corresponding hole of back panel vertical block E ,and tighten cam bolts #2 with screwdriver #16. After installation, cover the screw holes with paster #4. Make sure the groove is in same side as picture show.



ASSEMBLY INSTRUCTIONS

STEP-5

Slide in the panel F into the groove in part D.&E and E&C, make sure they are also in groove in part A.

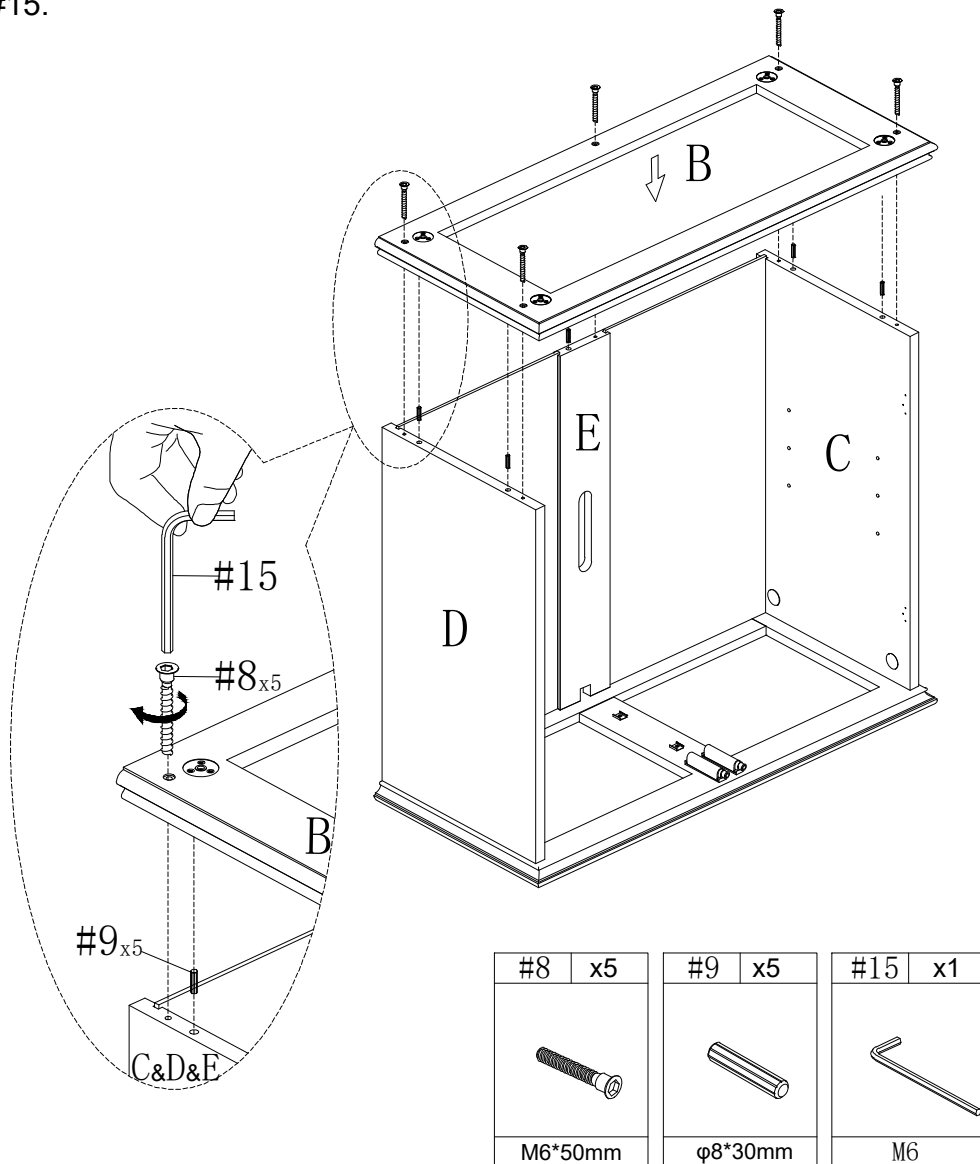


ASSEMBLY INSTRUCTIONS

STEP-6

Manually insert wooden dowels #9 into panel(C,D,E),which connect the part B with the pre-assembled unit in step 5.

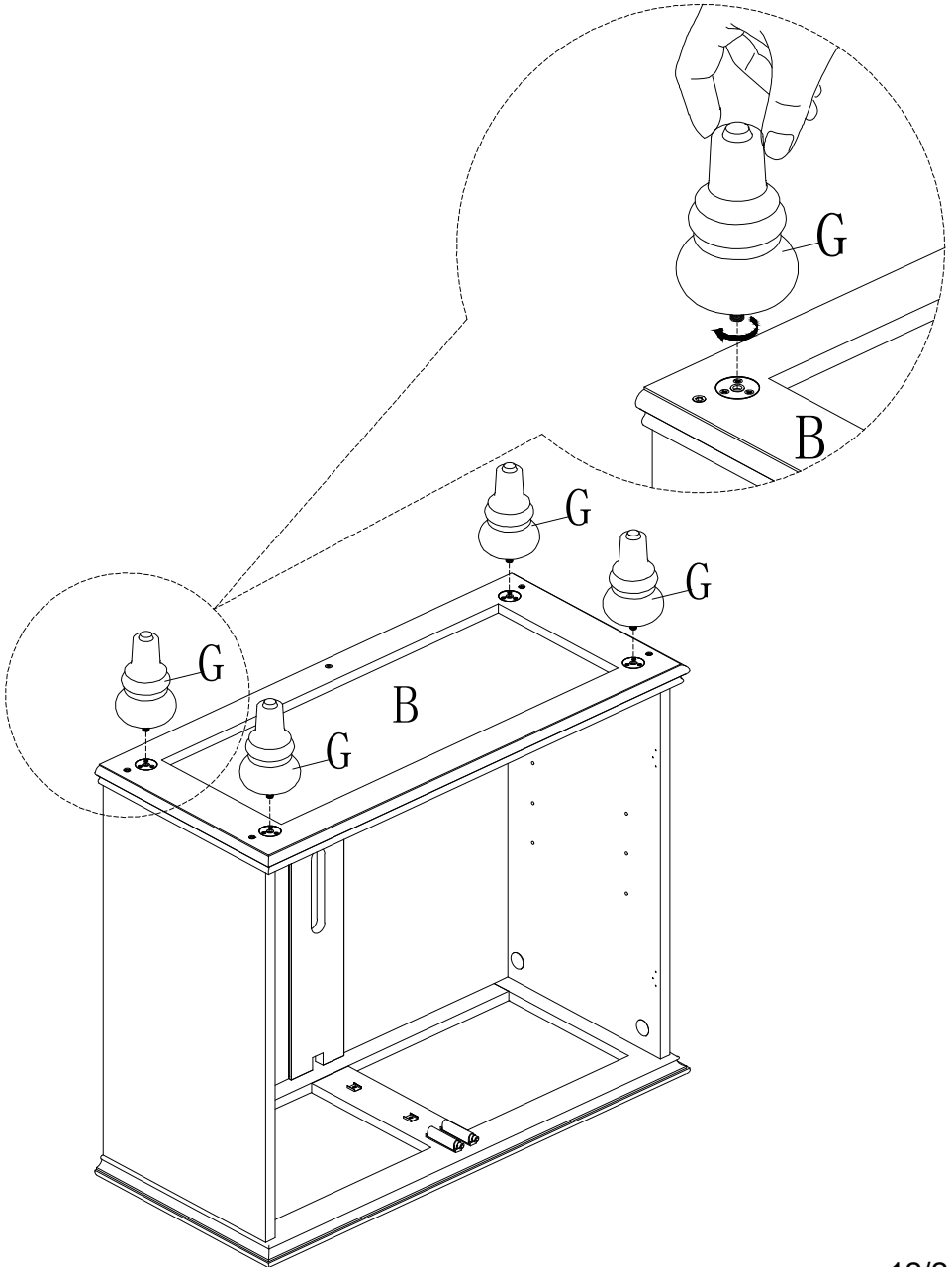
Then align the holes in part B,Insert screw #8 and push it down so that it connects to parts C&D&E. Next, tighten the screw #8 with Allen key #15.



ASSEMBLY INSTRUCTIONS

STEP-7

Rotate leg G clockwise and install it on base plate B.

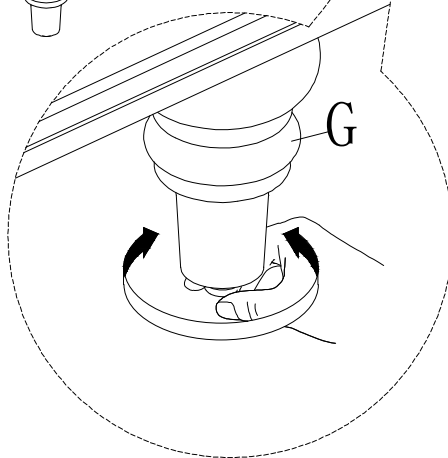
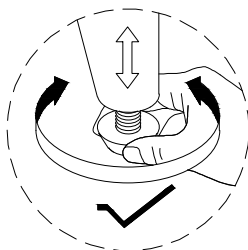
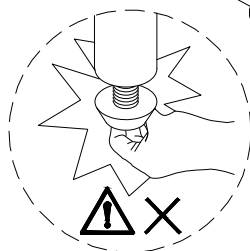
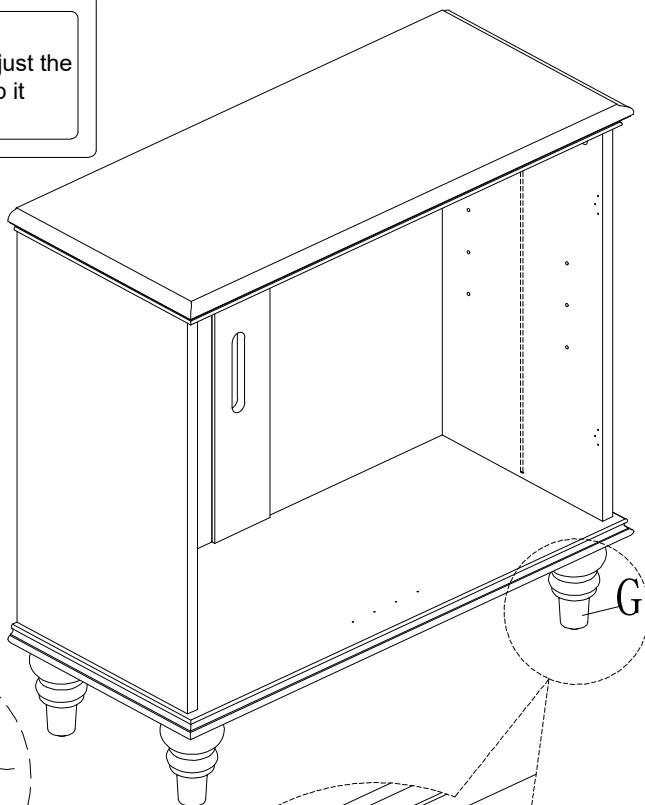


ASSEMBLY INSTRUCTIONS

STEP-8



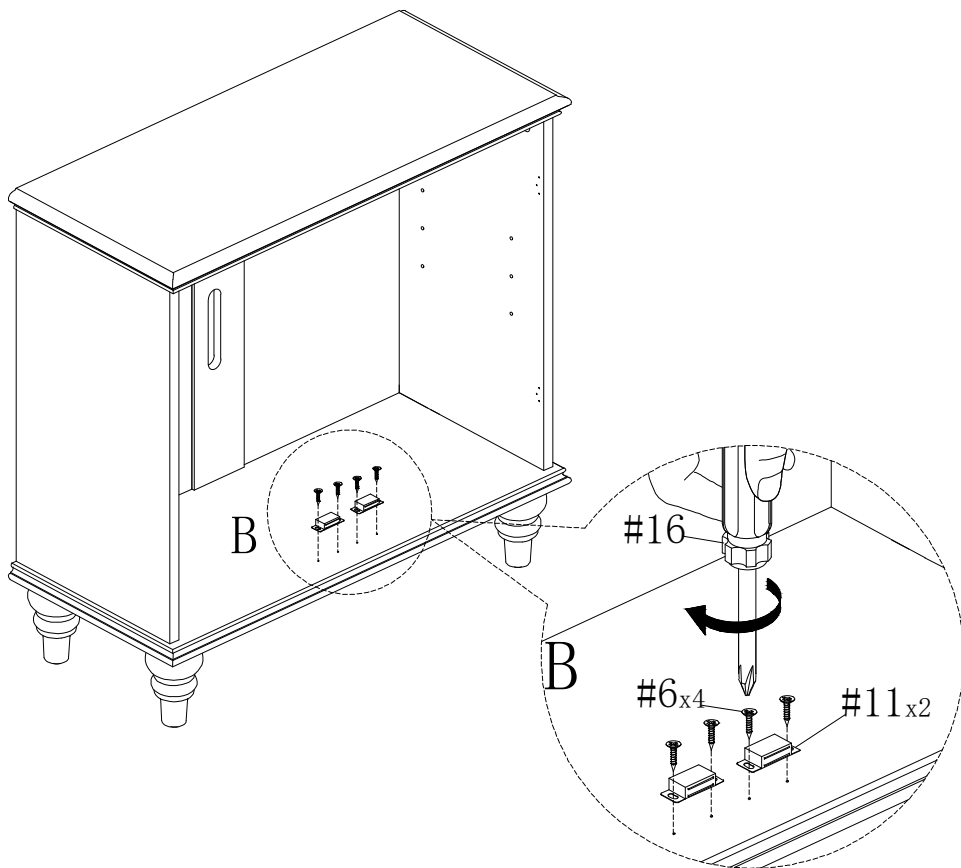
Attention:
Before the next step, adjust the feet of the locker to keep it level.


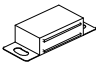
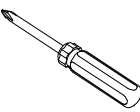


ASSEMBLY INSTRUCTIONS

STEP-9

Use screw #6 to attach Magnetic device #11 to bottom panel (B)
, tighten bolts #6 with screwdriver #16.

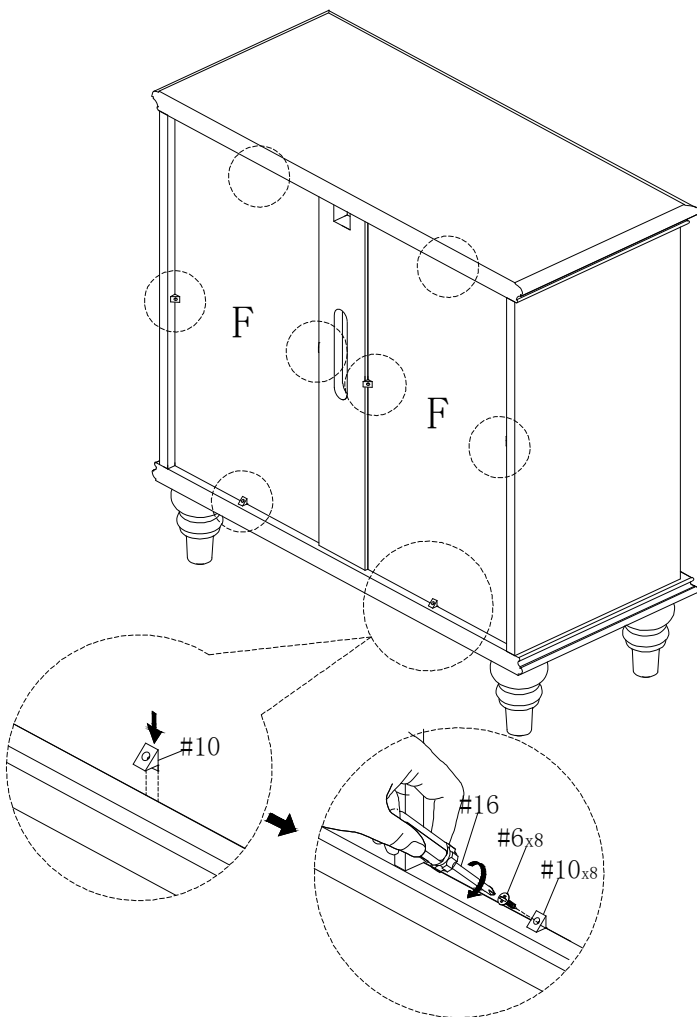




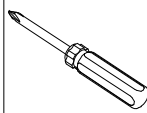
#6	x4	#11	x2	#16	x1
					
M3*14mm					

ASSEMBLY INSTRUCTIONS

STEP-10

Insert hardware #10 into part (F) as shown, screw in screw #6 using screwdriver #16 and tighten fully.

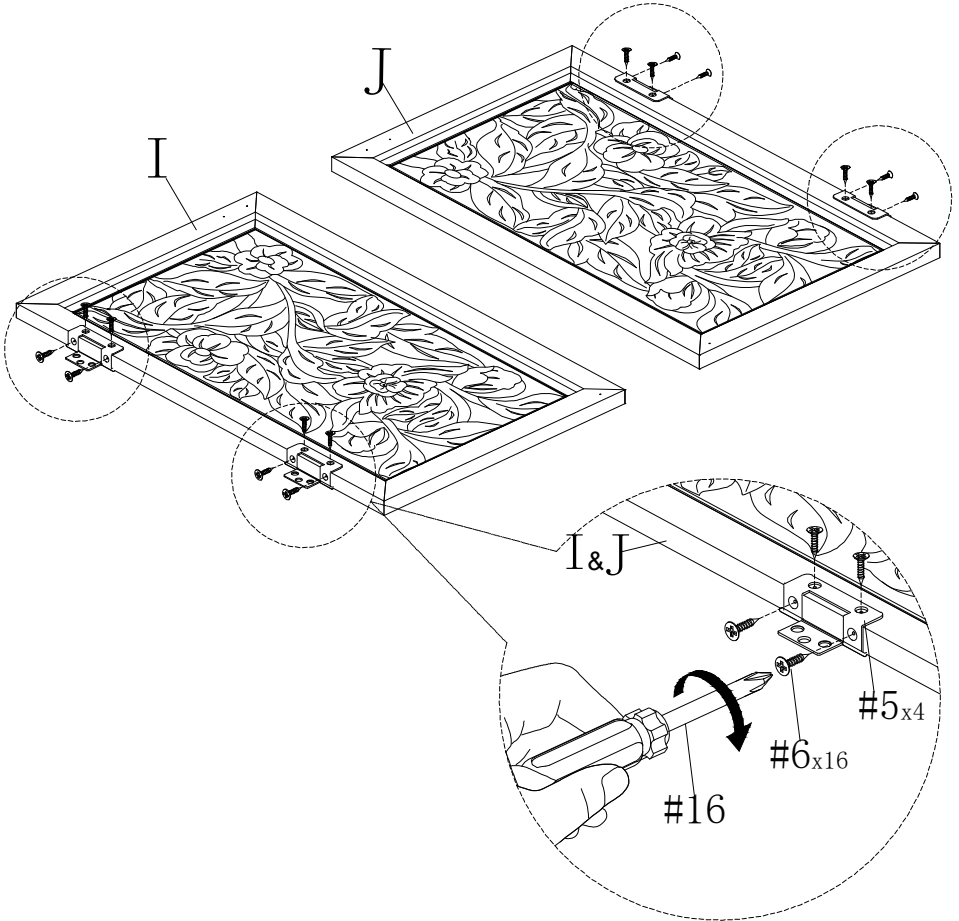



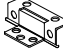
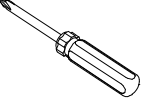
#10	x8	#6	x8	#16	x1
					
		M3*14mm			

ASSEMBLY INSTRUCTIONS

STEP-11

1. Use screw #6 to attach hinge #5 to door (I&J) , tighten screw #6 with screwdriver #16.



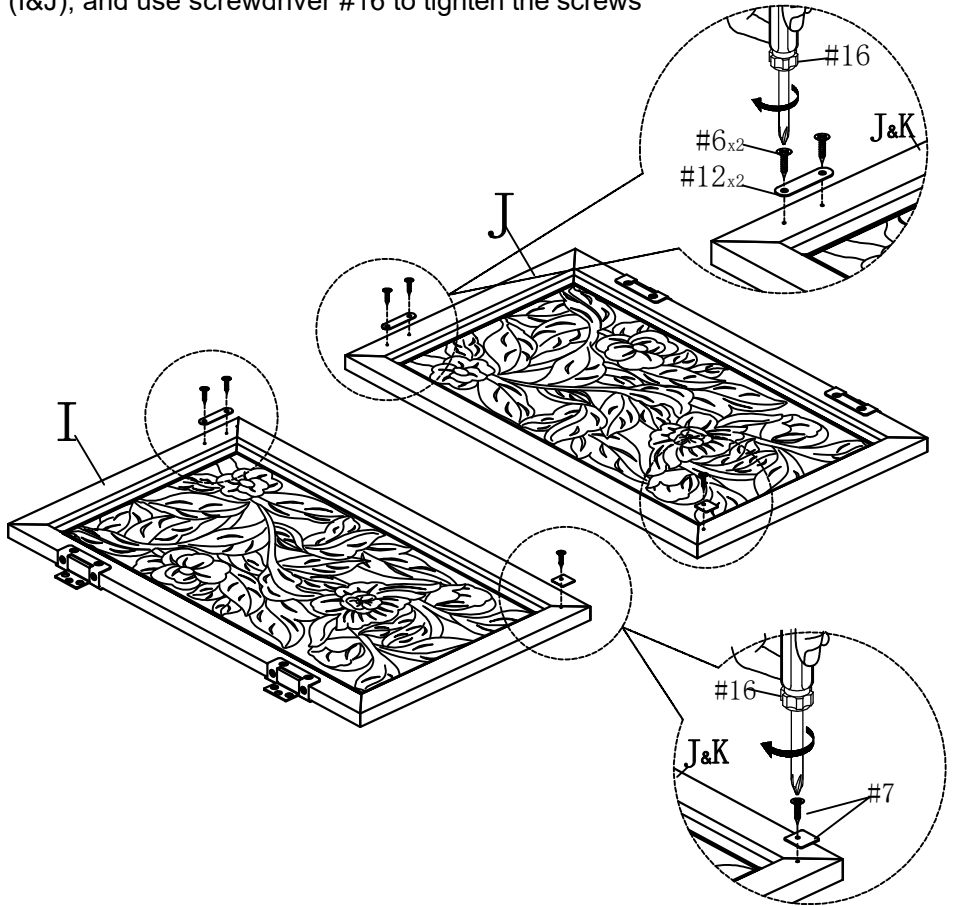
#6	x16	#5	x4	#16	x1
					
M3*14mm					




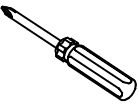
ASSEMBLY INSTRUCTIONS

STEP-12

Use screw #6 to attach iron sheets Magnetic device #12 to door (I&J)
, tighten screw #6 with screwdriver #16.

Use screws #7 to install the rebound device iron piece #7 on the door
(I&J), and use screwdriver #16 to tighten the screws

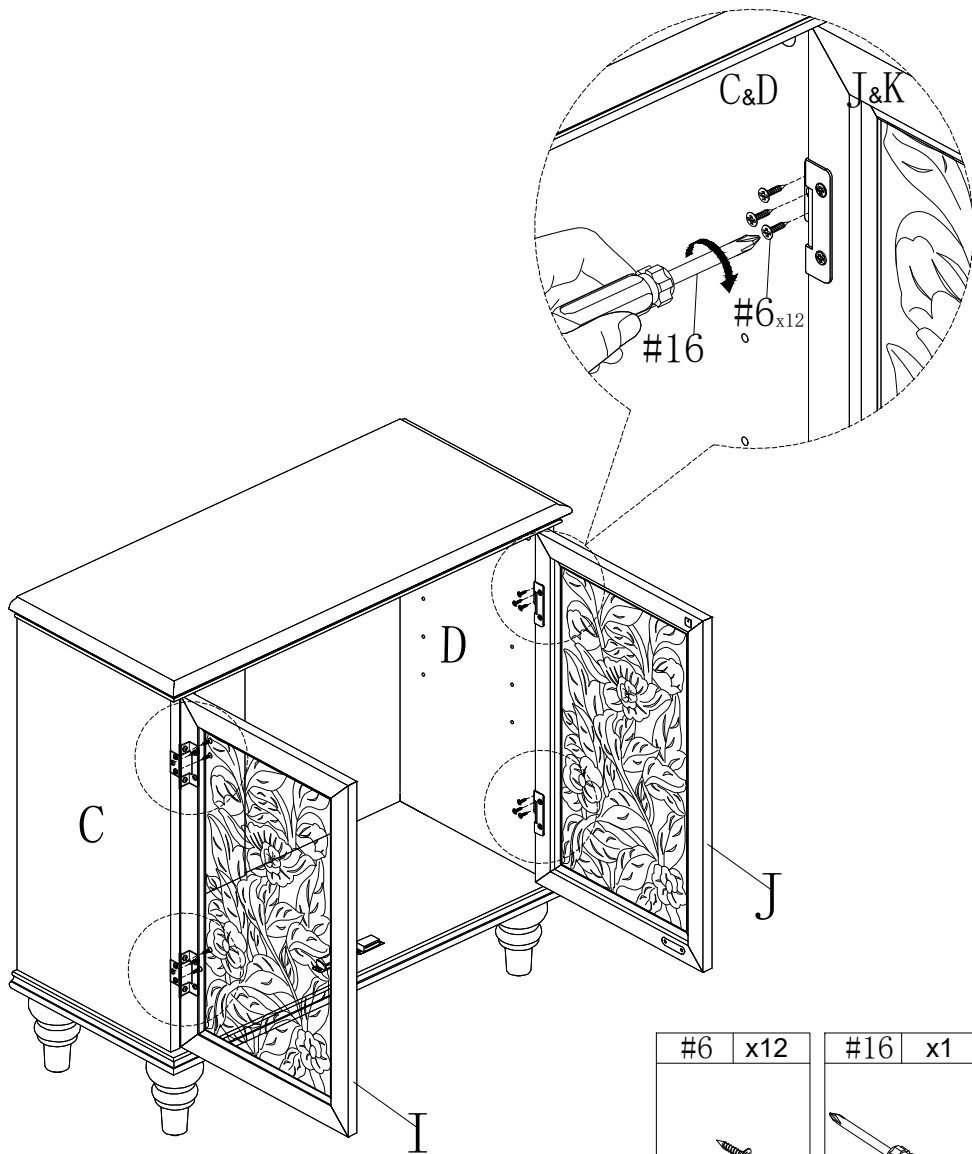



#6	x4	#7	x2	#12	x2	#16	x1
							
M3*14mm							

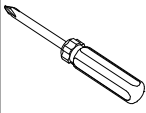
ASSEMBLY INSTRUCTIONS

STEP-13

Use screw #6 to attach left door (I) and right door (J) to pre-assemble unit at step 10 ,tighten screw #6 with screwdriver #16 .



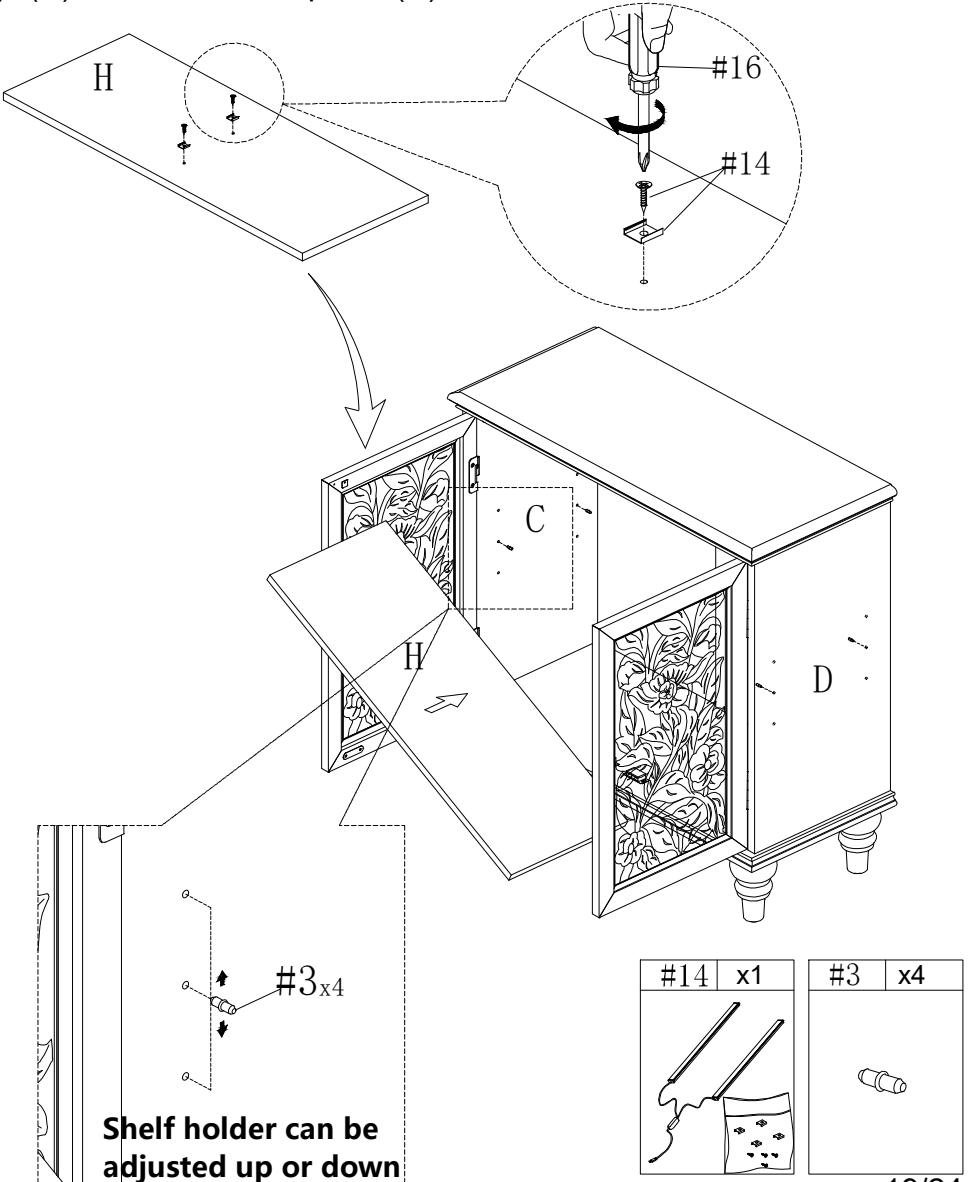
#6	x12
	
M3*14mm	

#16	x1
	

ASSEMBLY INSTRUCTIONS

STEP-14

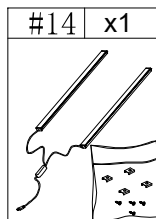
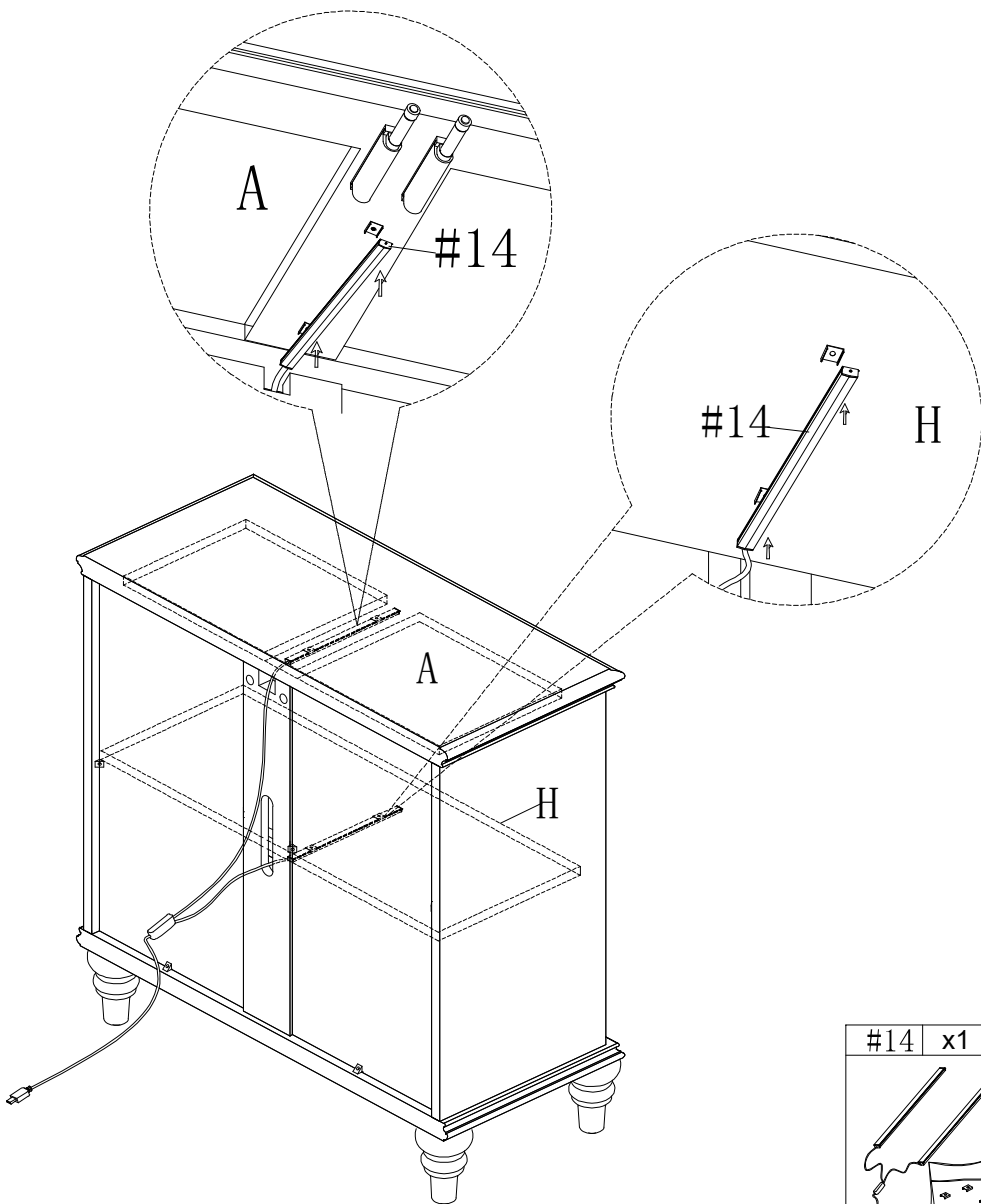
1. Use screw #14 to attach part #14 to panel (H), tighten bolts with screwdriver #16.
2. Insert shelf holder #3 into the corresponding hole of side panels (C)&(D) and then attach panel (H) to it.



ASSEMBLY INSTRUCTIONS

STEP-15

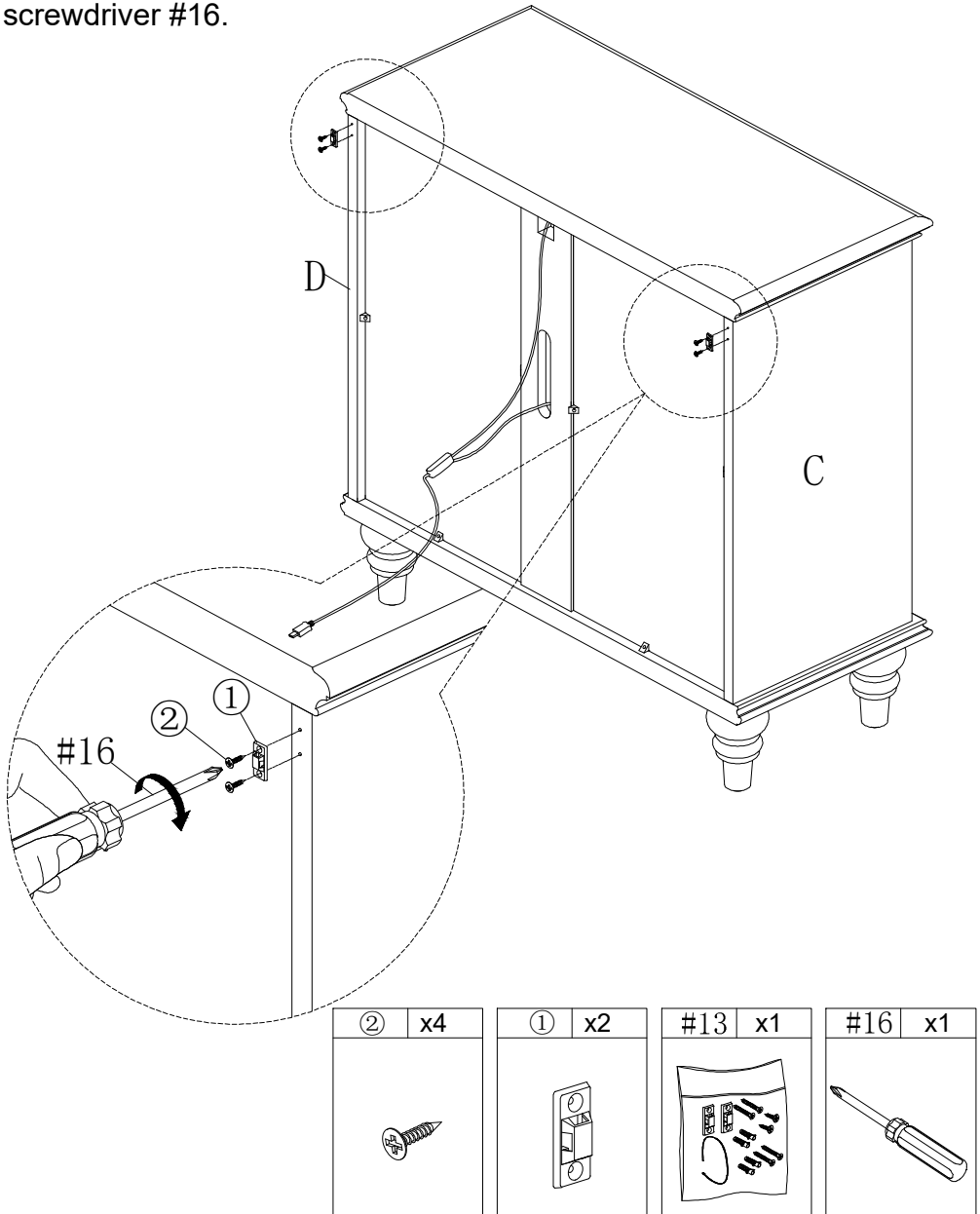
Push the light strip #14 into the groove of fitting #14 as picture show.



ASSEMBLY INSTRUCTIONS


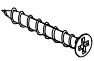
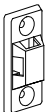

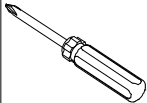
STEP-16

1. Use the components ① in the package #13 to install on the pre-assembled unit 15 with screws ②, and tighten the screws ② with screwdriver #16.



ASSEMBLY INSTRUCTIONS

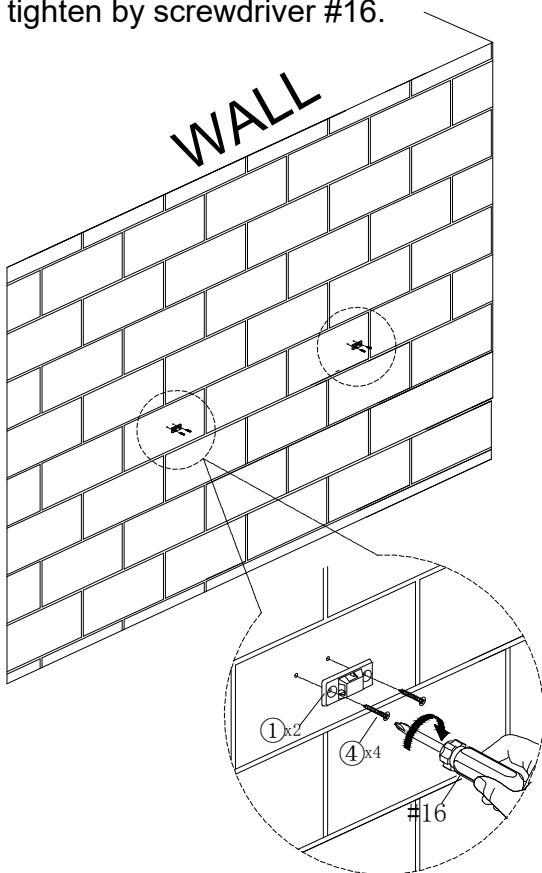
STEP-17

③	x4	④	x4	①	x2	#13	x1	#16	x1
									
φ8*30mm		M4*35mm							

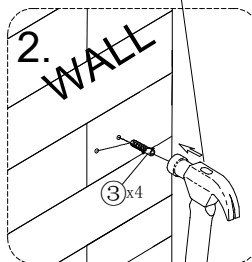
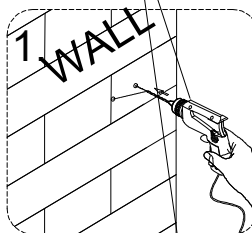
1. Install the anti-collapse device.

2. Mark the position on the wall, that corresponds to the location of part ① on the top of panel C&D; Drill and insert the expandable screw ③ by electric drill.

3. Assemble the part ① to the wall. Align the hole in the part ① with the expandable screw ③, use screw ④ to attach it and tighten by screwdriver #16.

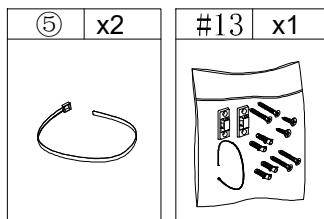


NOT PROVIDED

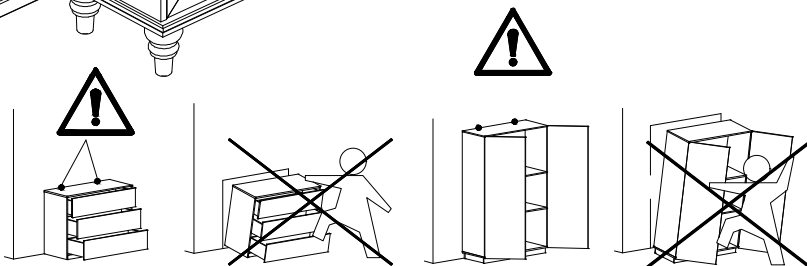
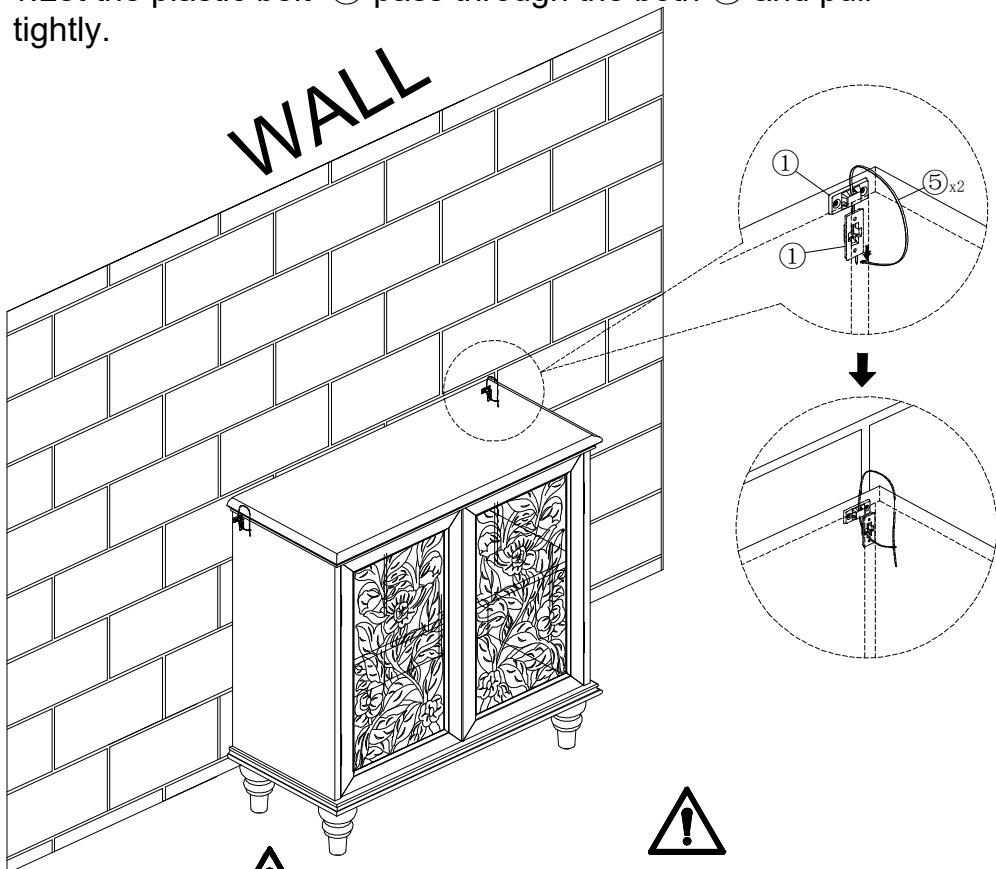


ASSEMBLY INSTRUCTIONS

STEP-18



1. Let the plastic belt ⑤ pass through the both ① and pull tightly.



WARRANTY

1. We strive to offer high-quality products, and we also try our best to satisfy each and every customer that orders from us with product or service as needed.
2. We provide 30 days warranty starting from the time you receive the item. Each customer must provide a record of their order such as the order number, or item receipt for any items that are out of the warranty period you may also still receive.
3. Replacement parts by purchasing them with our company if they are available.

Are you having difficulty
With assembly? Missing parts?
Please send email with your order No to
customerservice@hulalahome.com
For return, please check the return policy with
the retailer or market place you bought from.

Appreciate your purchasing from us.
Pop up your life by our furniture piece!