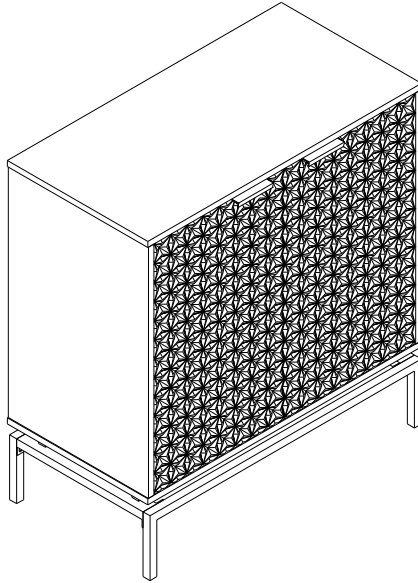


# HULALA

---

H O M E



**ITEM NO.SCSD0749**

---

## NOTE:

This brochure contains IMPORTANT safty info. Please read and keep for future reference.

---

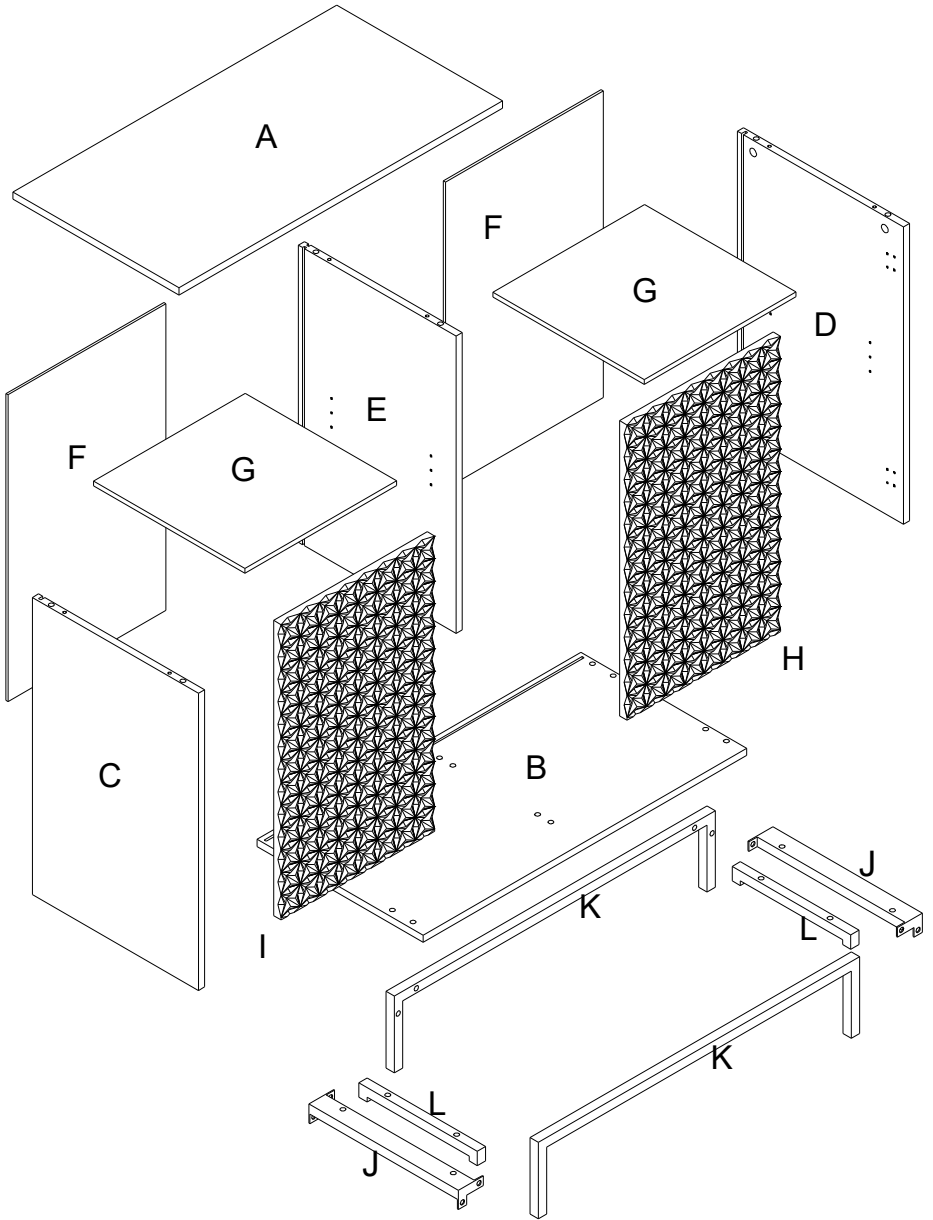
# MAINTAINANCE AND WARNING

- Keep furniture away from heat sources.
- Do not clean furniture with harsh cleaner or polishes. Do not use detergents, Solvents, abrasives, spray packs or leather cleaner. Use non-color mild soap with warm water to clean spills (Mix 1:10 soap to water)
- Do not place furniture under direct sunlight, material will possibly fade over time.
- Do not use on site dry Cleaning machine. Children should not climb or jump on the furniture.
- Do not write on furniture that is not protected by a padded barrier .
- Not for commercial use, only for residential use.



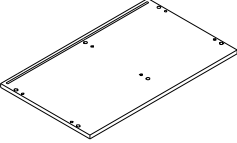
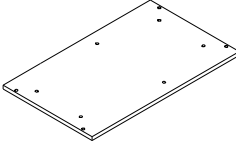
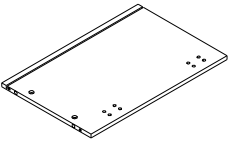
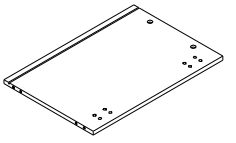
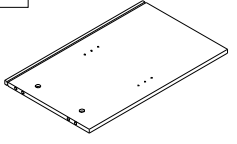
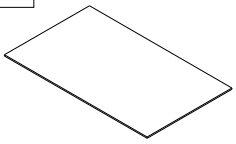
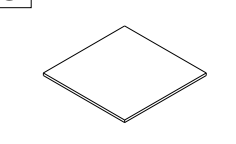
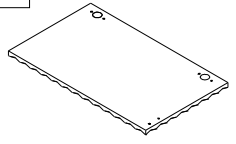
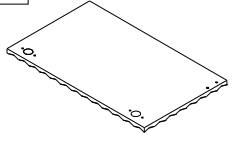
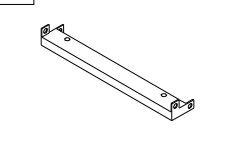
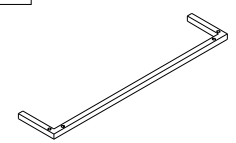
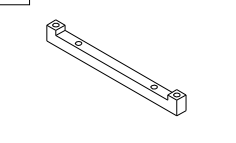
Weight Limitation

**80LBS**

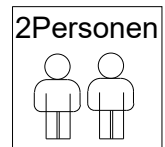


# OVERVIEW


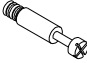
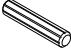






# HARDWARE LIST

<b>A</b> 	<b>B</b> 	<b>C</b> 	<b>D</b> 
1 PC	1 PC	1 PC	1 PC
<b>E</b> 	<b>F</b> 	<b>G</b> 	<b>H</b> 
1 PC	2 PCS	2 PCS	1 PC
<b>I</b> 	<b>J</b> 	<b>K</b> 	<b>L</b> 
1 PC	2 PCS	2 PCS	2 PCS


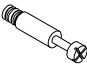





Persons Required For Assembly:



# PARTS LIST 1


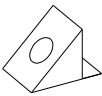
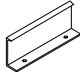
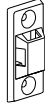




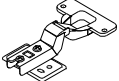
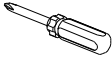
①	x44	②	x6	③	x12	④	x6	⑤	x4
									
⑥	x6	⑦	x8	⑧	x4	⑨	x4		
									

# SPARE

①	x4	②	x1	⑤	x1	⑥	x1	⑦	x1
									
⑧	x1	⑨	x1						
									


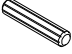
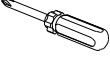
Be sure to inspect all packing material carefully for small parts, that may have come loose inside the carton during shipment.

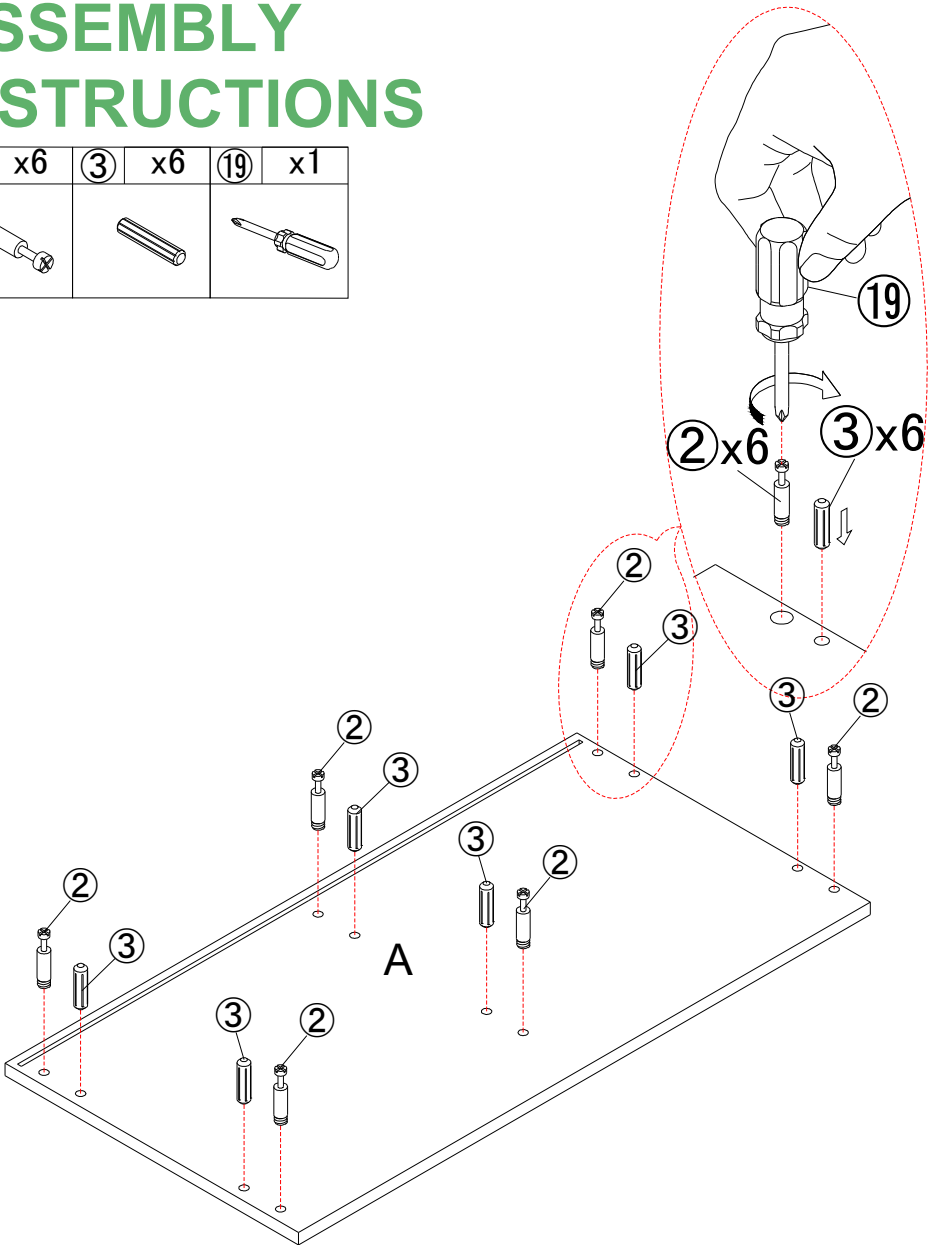
# PARTS LIST 2

⑩	x4	⑪	x12	⑫	x2	⑬	x4	⑭	x8
									
⑮	x2	⑯	x1	⑰	x6	⑱	x4	⑲	x1
									

Be sure to inspect all packing material carefully for small parts, that may have come loose inside the carton during shipment.



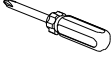
# ASSEMBLY INSTRUCTIONS

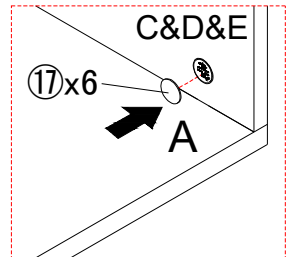
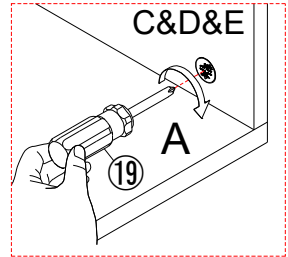
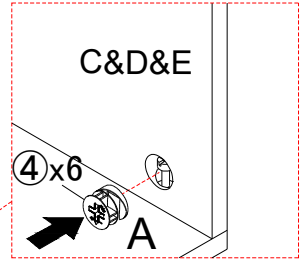
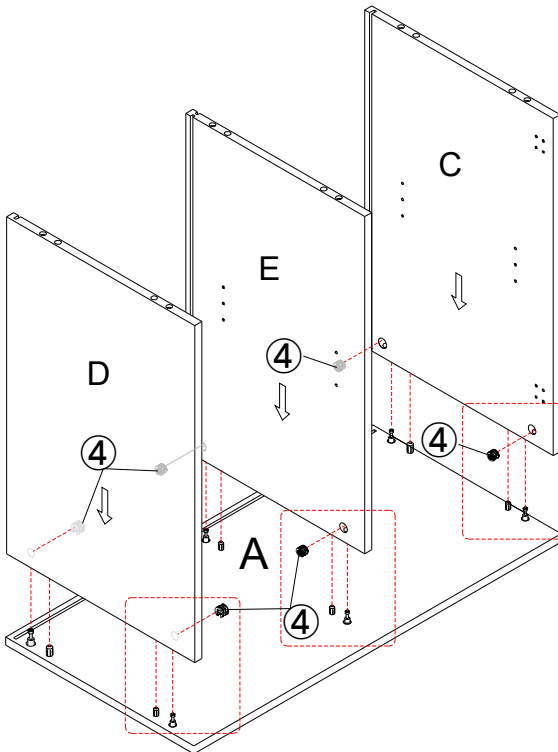
②	x6	③	x6	⑱	x1
					



## STEP1:

Insert wooden dowel ③ into the corresponding hole of panel (A), and insert bolt ② into panel (A), tighten bolt ② with screwdriver ⑱.

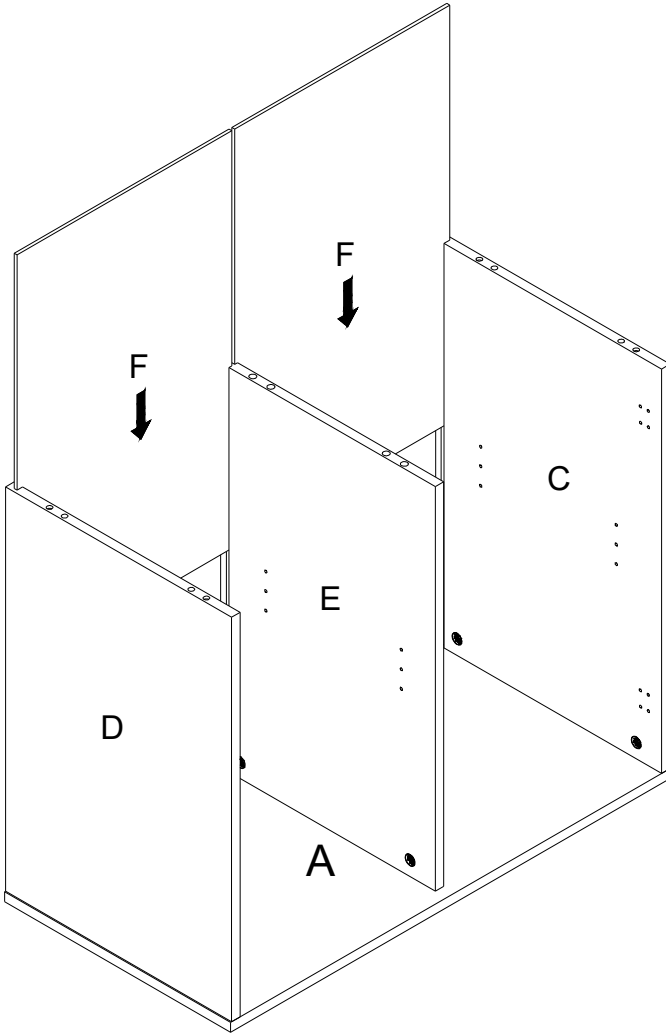
④	x6	⑰	x6	⑲	x1
					



## STEP2:

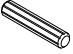


Insert panel (D)&(E)&(C) Into panel (A),make sure all holes aligned and insert cam bolt ④ into the corresponding hole of panel (D)&(E)&(C),tighten cam bolt ④ with screwdriver ⑲, finally stick paster ⑰ on it.

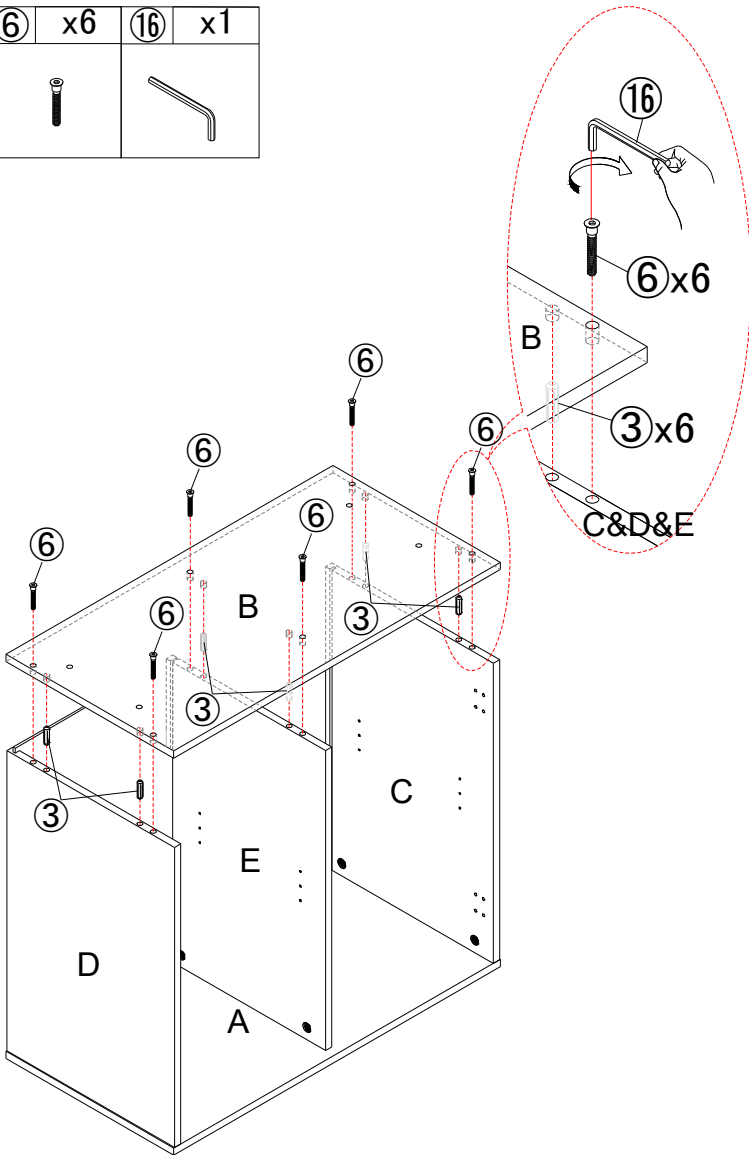




**STEP3:**


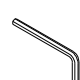
Carefully align and slide panel (F) into the groove along rear edge of pre-assembled step 2.

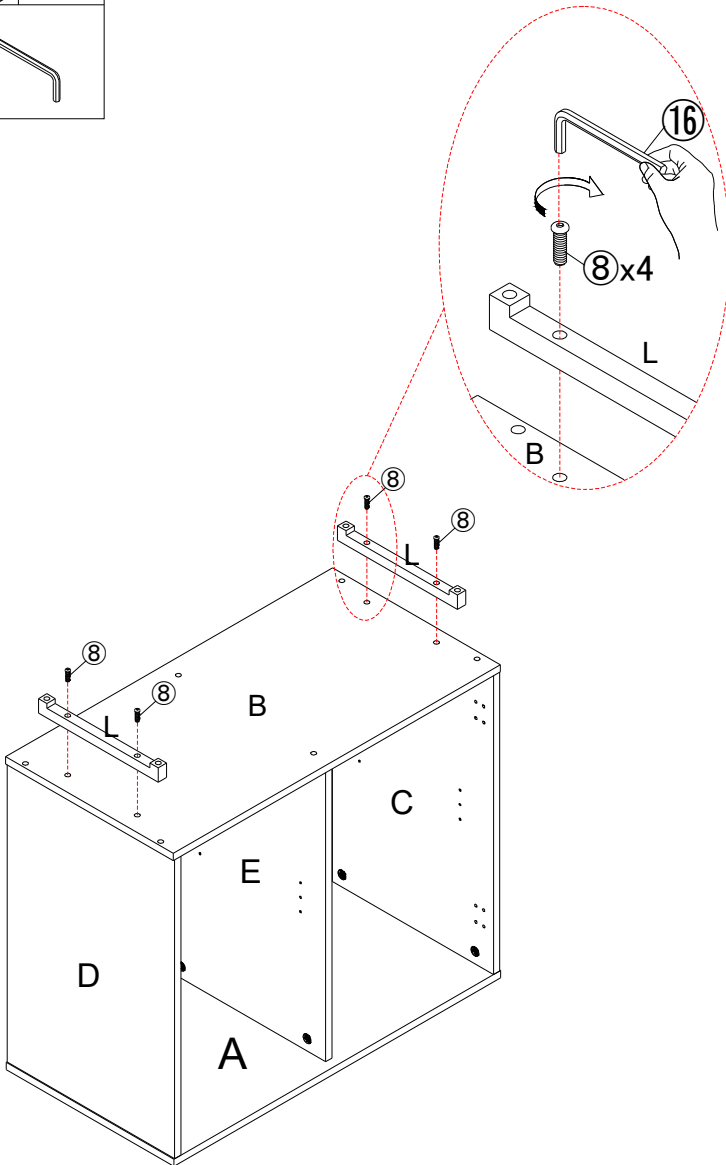
③	x6	⑥	x6	⑯	x1
					



#### STEP4:



Insert wooden dowel ③ into the corresponding hole of panel (C)&(D)&(E),and then insert bottom panel (B) into the preassemble step3, make sure all holes aligned and use bolt ⑥ to attach them, tighten bolt ⑥ with allen key ⑯.

⑧	x4	⑩⑥	x1
			

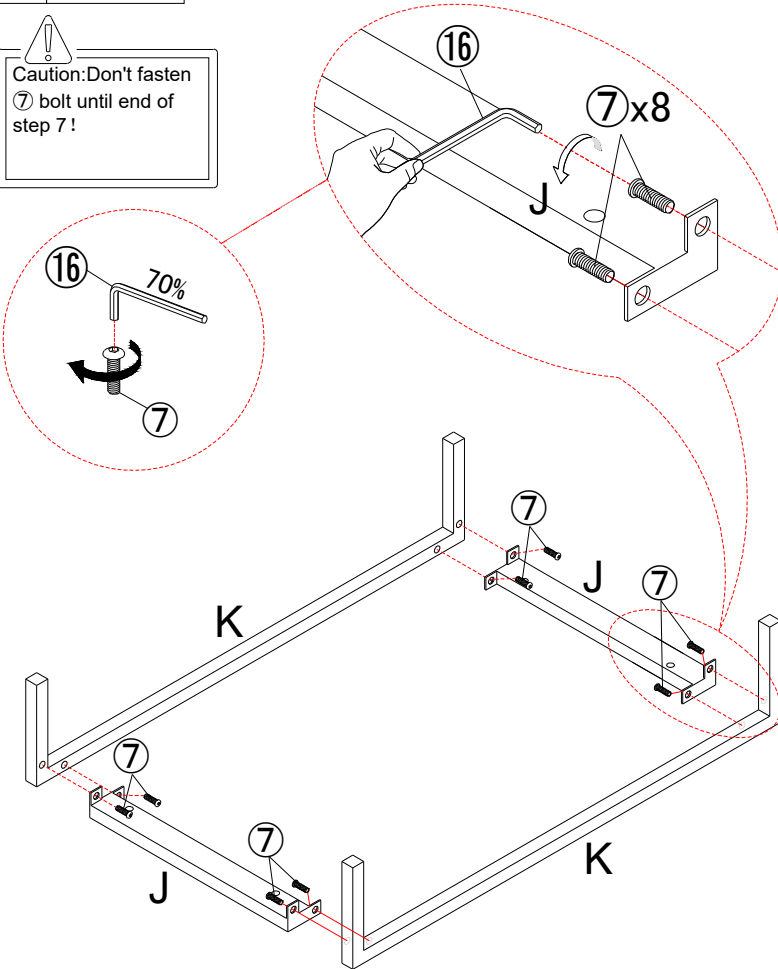


## STEP5:

Use bolt ⑧ to attach leg (L) to the corresponding hole of bottom panel (B),tighten bolt ⑧ with allen key ⑩⑥.

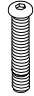

⑦	x8	①⑥	x1
			

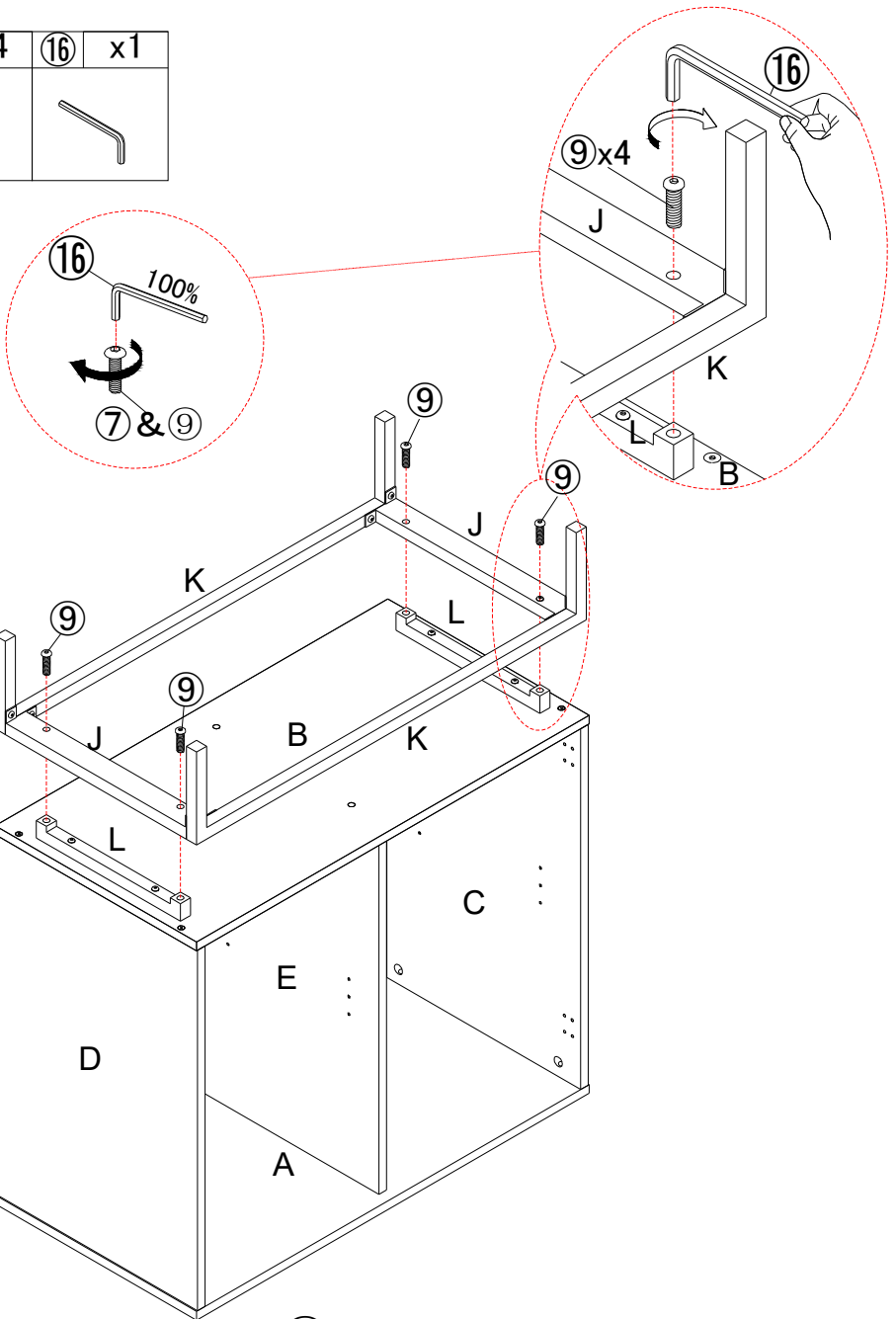
⚠  
**Caution:** Don't fasten  
 ⑦ bolt until end of  
 step 7!





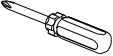
## STEP6:

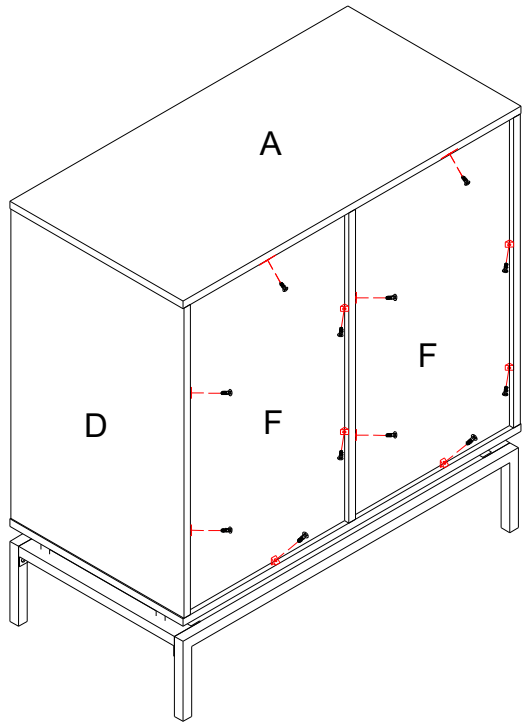
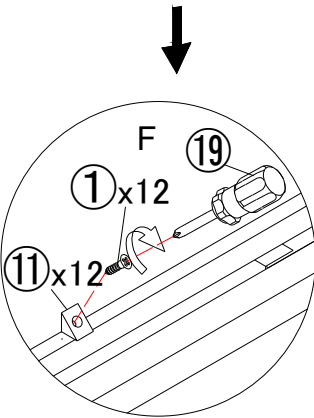
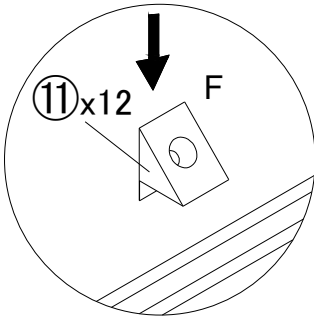
Use bolt ⑦ to attach part (J) to leg (K), make sure all holes aligned and tighten bolt ⑦ with allen key ①⑥.

⑨	x4	⑯	x1
			



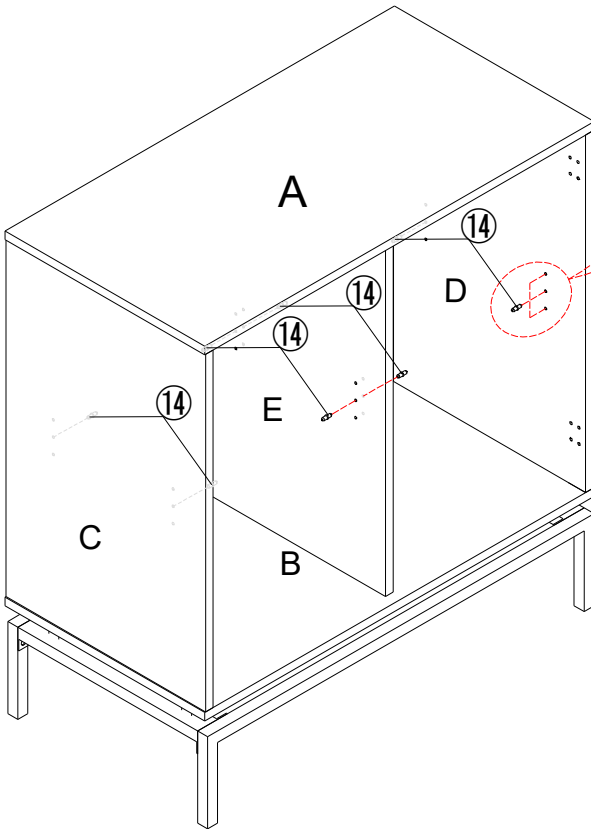
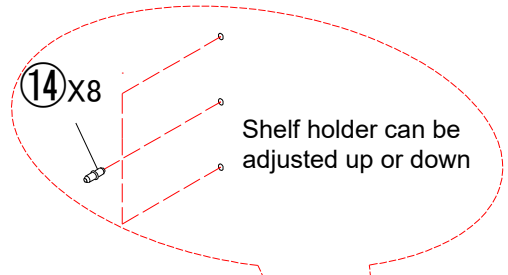
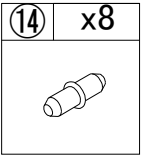
**STEP7:Use bolt ⑨ to attach the preassemble leg(J)&(K) to the corresponding hole of part (L),tighten bolt ⑨ with allen key ⑯.**

①	x12	⑪	x12	⑲	x1
					



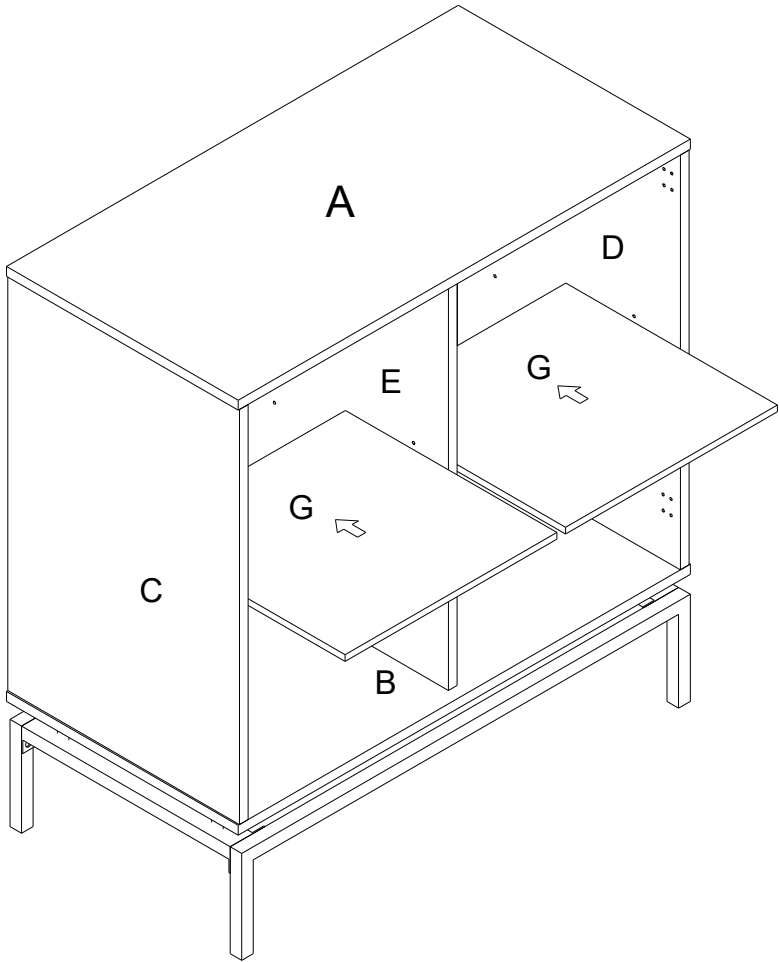
## STEP8:

Insert hardware ⑪ into part (F) as shown, use screw ① to attach it, tighten screw ① with screwdriver ⑲.



## STEP9:


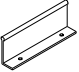

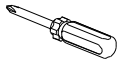
Insert shelf holder ⑭ into the corresponding hole of panel (C)&(D)&(E).

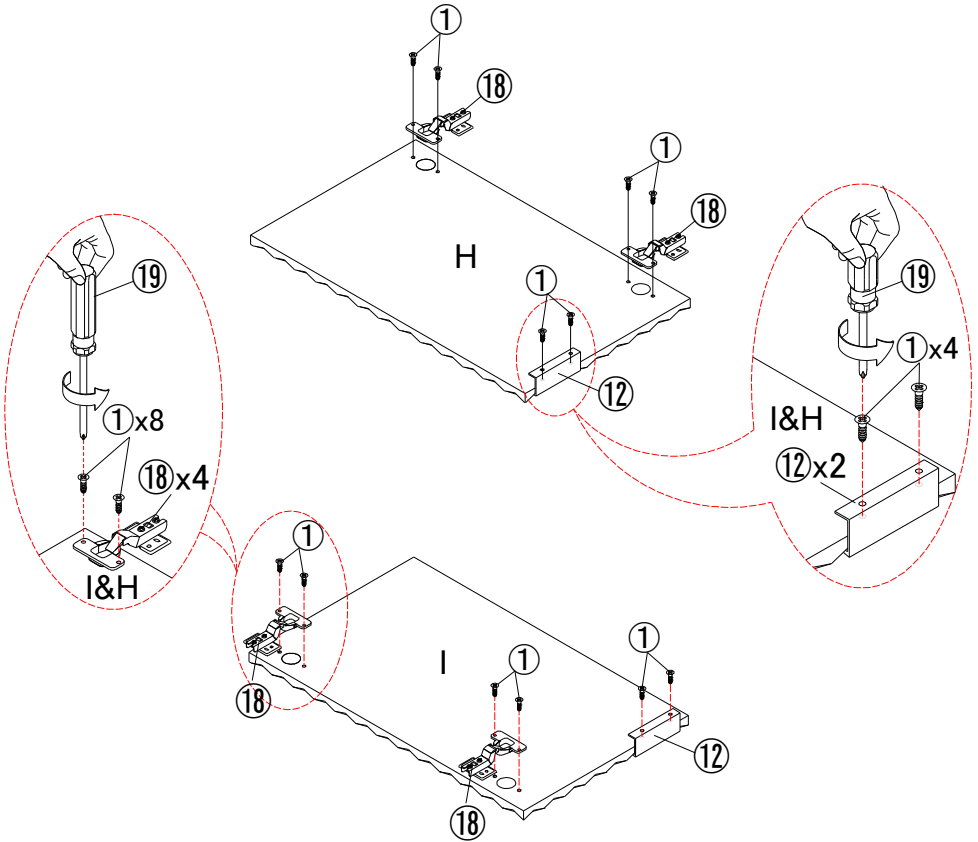


## STEP10:

Attach adjustable shelf (G) to shelf holder ⑭ .

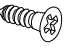
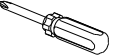


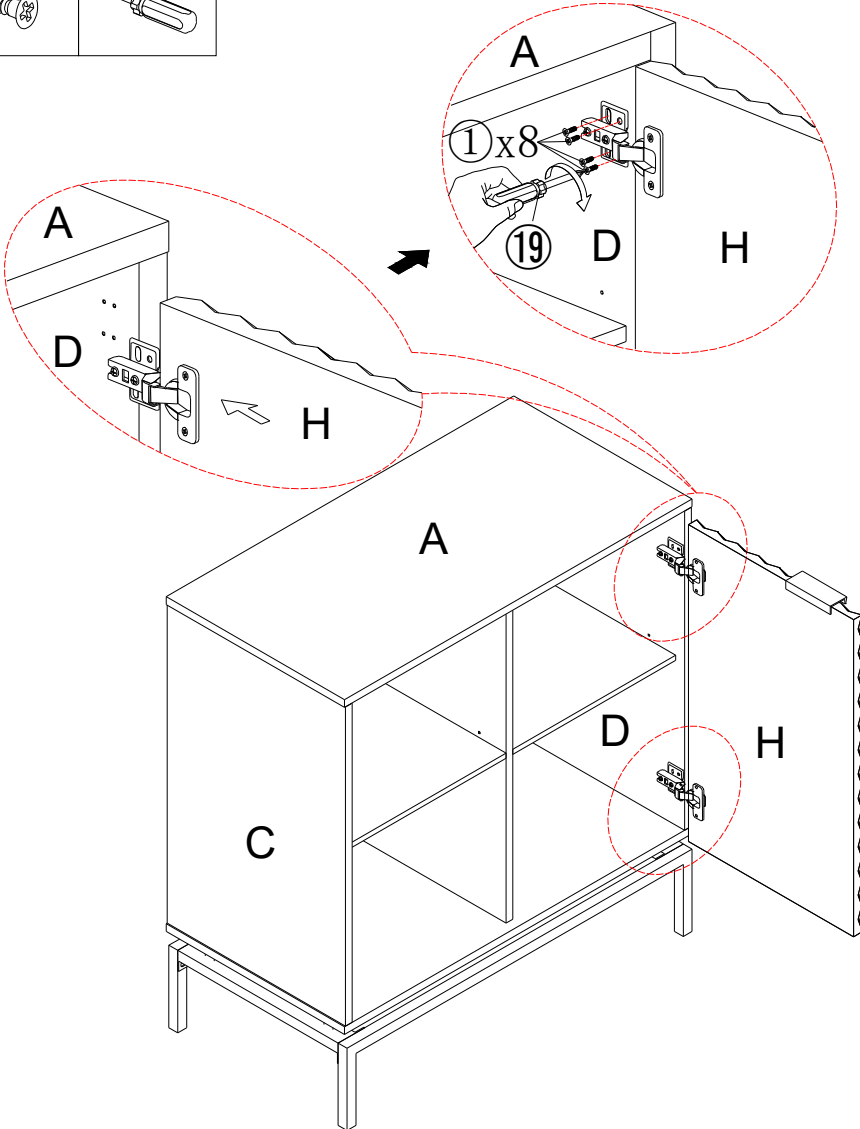
①	x12	⑫	x2	⑱	x4	⑲	x1
							



## STEP11:

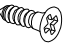
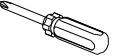
Use screw ① to attach the hinge ⑱ to door panel (H)&(I), tighten screws ① with screwdriver ⑲. Use bolt ① to attach handle ⑫ to door panel (I)&(H), tighten bolts with screwdriver ⑲.

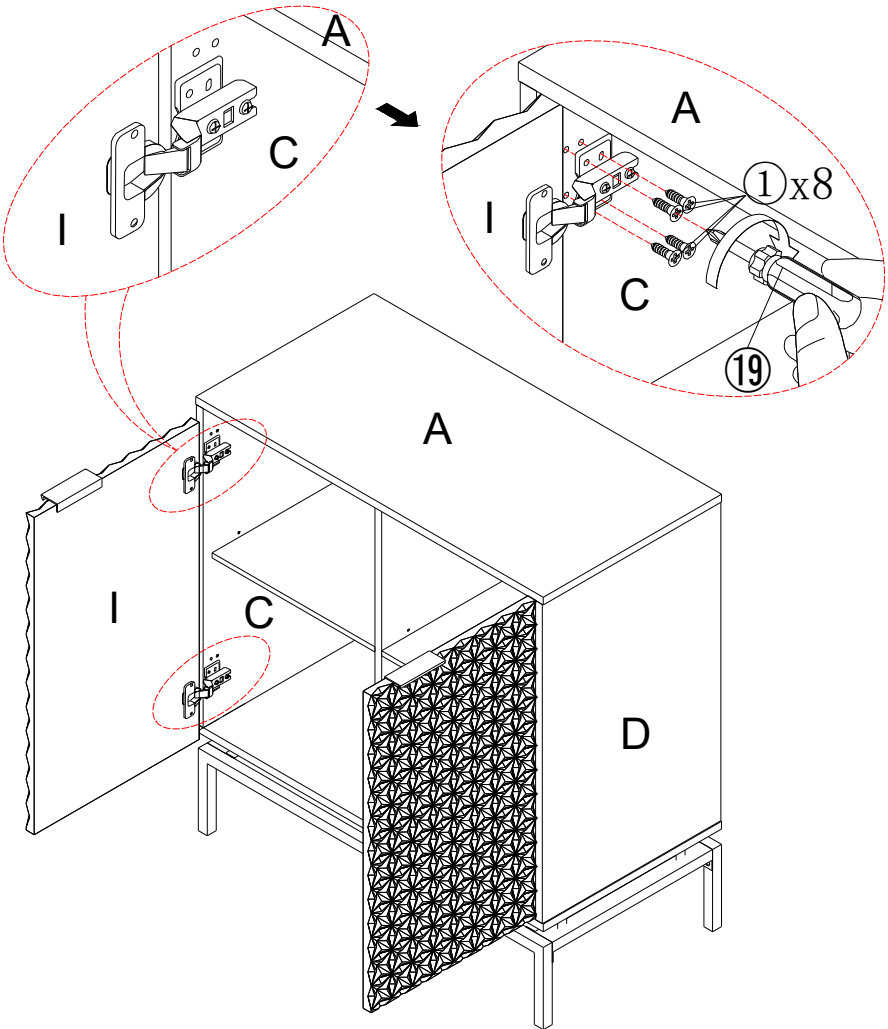
①	x8	⑱	x1
			



## STEP12:

Use screw ① to attach right door (H) to pre-assemble unit at step 10 ,tighten screw ① with screwdriver ⑱ .

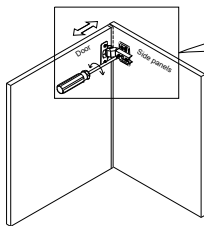
①	x8	⑱	x1
			



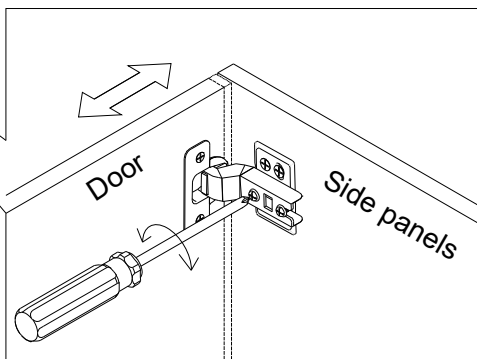
### STEP13:

Use screw ① to attach left door (I) to pre-assembly unit at step 12 ,tighten screw ① with screwdriver ⑱ .

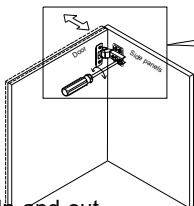
Concealed hinges are three-way adjustable:



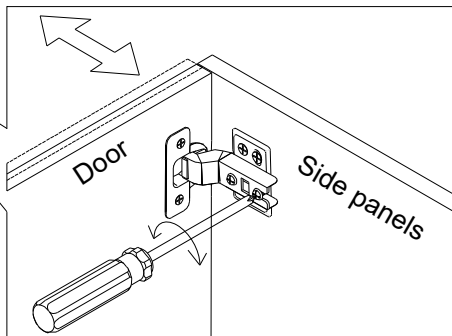
Horizontal  
by screw adjustment!



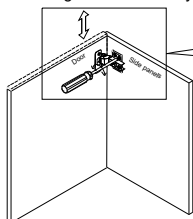
Concealed hinges are three-way adjustable:



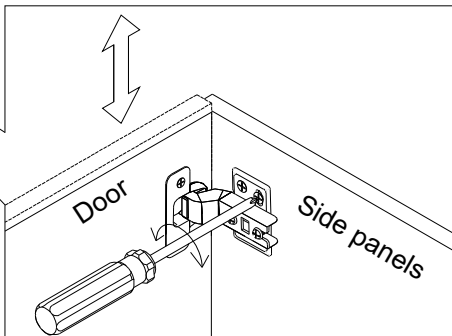
In-and-out  
by loosening the hinge arm  
mounting screw or via cam  
adjustment!



Concealed hinges are three-way adjustable:



Vertical via slots in  
the mounting plate  
or via cam adjustment!


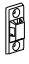
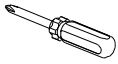


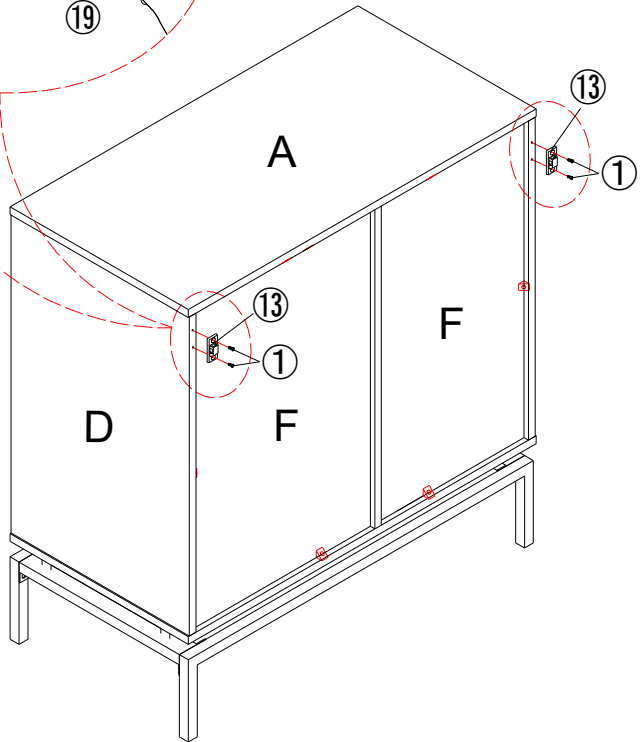
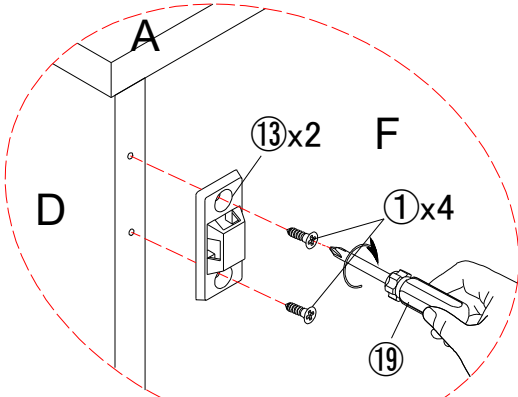
## STEP14:



Video for door adjustment




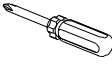
# Hinge adjustment method

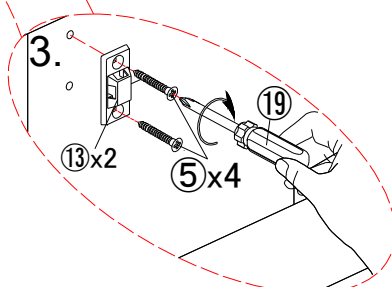
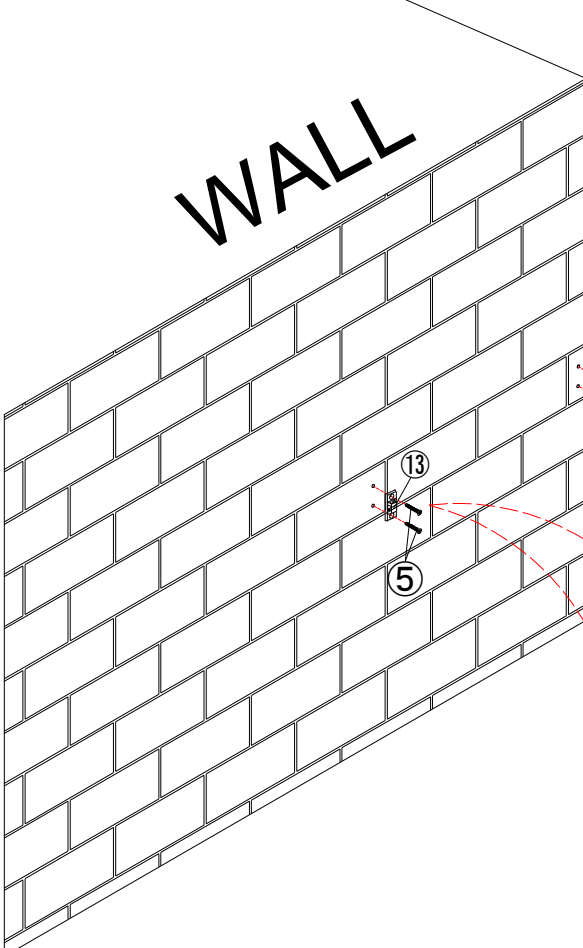
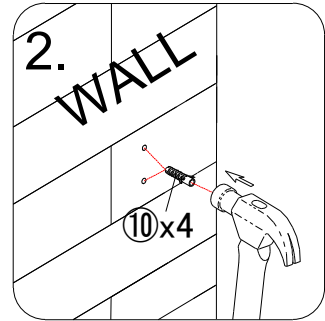
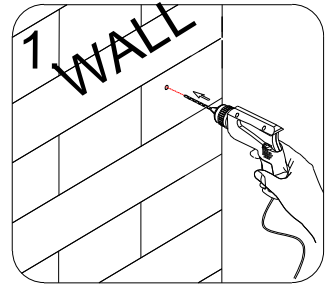
①	x4	⑬	x2	⑲	x1
					



## STEP15:

Attach part ⑬ to parts D, C with bolt ① and tighten the bolt with screwdriver ⑲.

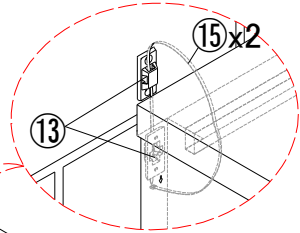
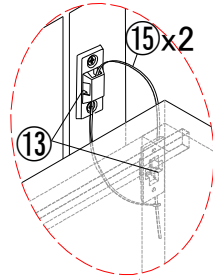
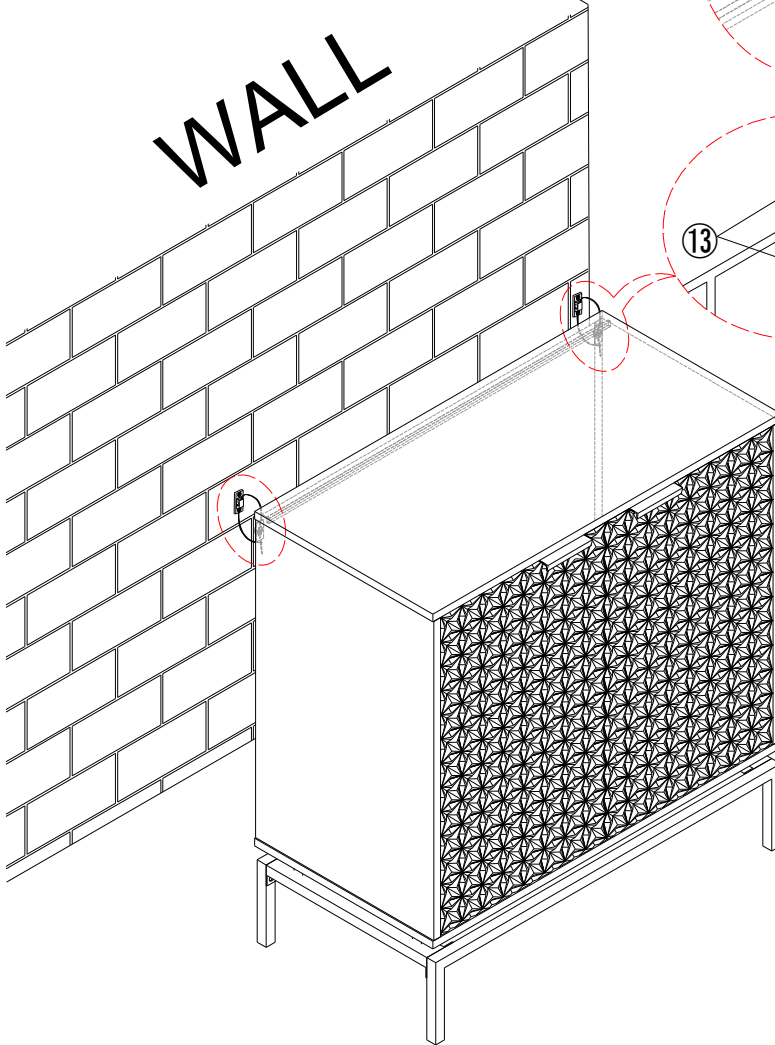
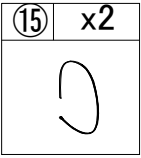
⑤	x4	⑩	x4	⑬	x2	⑲	x1
							



**STEP16:**

Mark the position on the wall, that corresponds to the location of part ⑬ on the side panel D,C; Drill and insert the expandable screw ⑩ by hammer.

Assemble the part ⑬ to the wall. Align the hole in the part ⑬ with the expandable screw ⑩, use screw ⑤ to attach it and tighten by screwdriver ⑲.



**STEP17:** Let the plastic belt ⑮ pass through the both part ⑬ and pull tightly.

# WARRANTY

We strive to offer high-quality products, and we also try our best to satisfy each and every customer that orders from us with product or service as needed. We provide 30 days warranty starting from the time you receive the item. Each customer must provide a record of their order such as the order number, or item receipt for any items that are out of the warranty period you may also still receive replacement parts by purchasing them with our company if they are available.

Are you having difficulty  
with assembly? Missing parts?  
Please send email with your order No to  
[customerservice@hulalahome.com](mailto:customerservice@hulalahome.com)  
For return, please check the return policy with  
the retailer or market place you bought from.

Appreciate your purchasing from us.  
Pop up your life by our furniture piece!