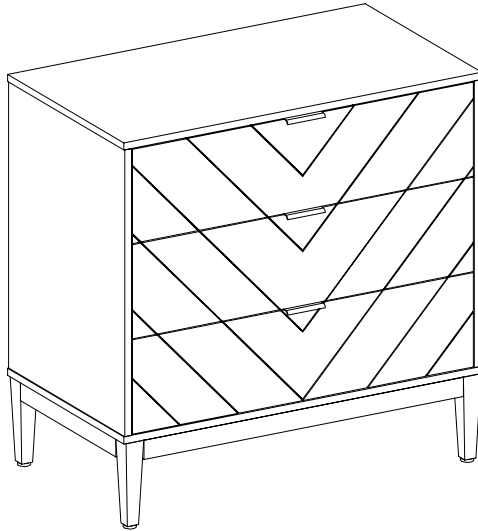


HULALA

H O M E



ITEM NO.SCSD0825

NOTE:

This brochure contains IMPORTANT safety info. Please read and keep for future reference.

MAINTAINANCE AND WARNING

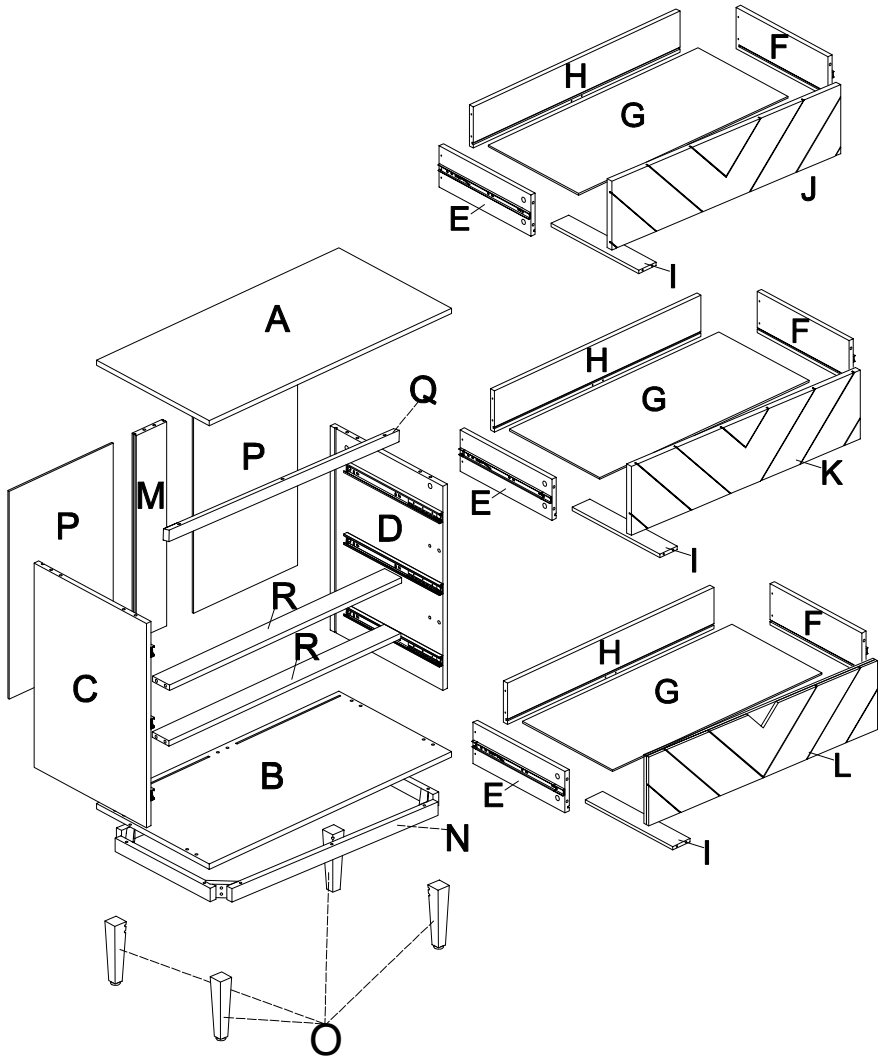
- 1.Keep furniture away from heat sources.
- 2.Do not clean furniture with harsh cleaner or polishes.Do not use detergents,solvents,abrasives,spray packs or leather cleaner. Use non-color mild soa with warm water to clean spills(Mix 1:10 soap to water).
- 3.Do not place furniture under direct sunlight,material will possibly fade over time.
- 4.Do not use on site dry cleaning machine.Children should not climb or jump on the furniture.
- 5.Do not write on furniture that is not protectedby a padded barrier.
- 6.Not for commercial use,only for residential use.



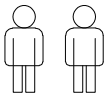
Weight Limitation

90 LBS

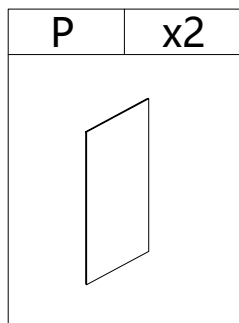
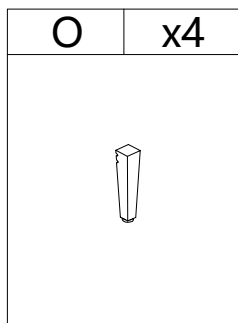
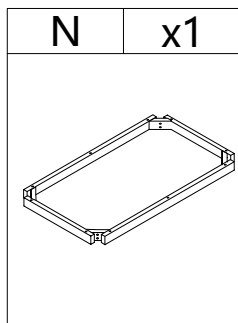
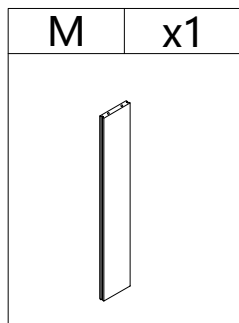
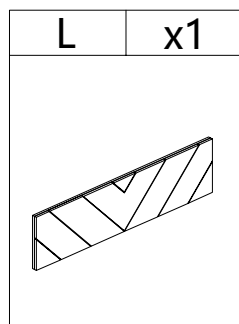
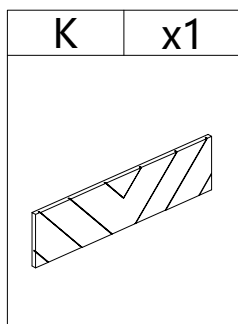
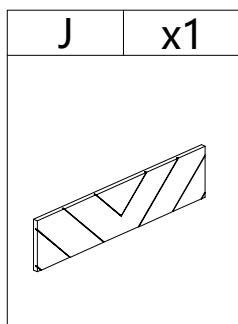
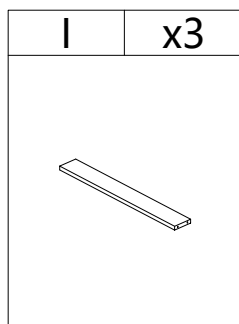
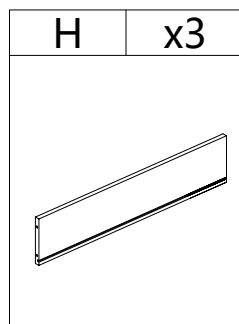
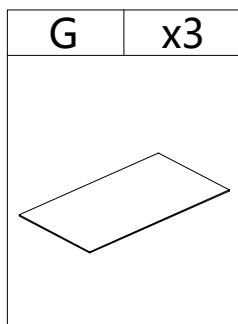
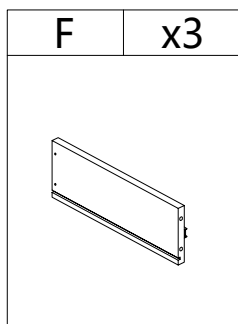
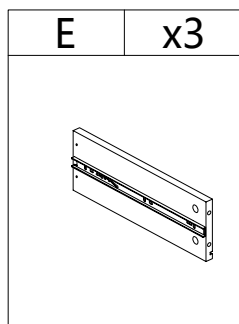
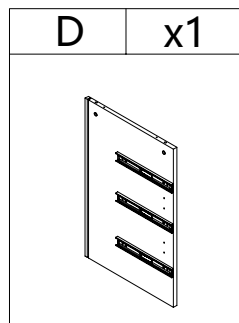
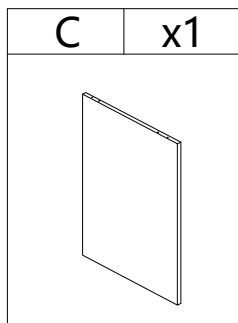
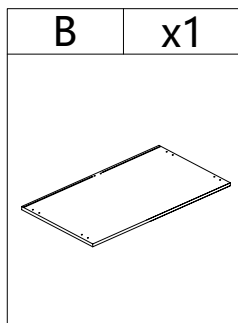
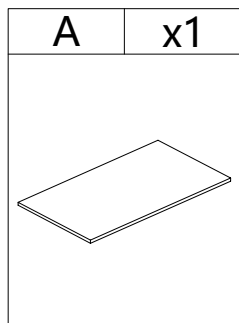
EXPLOSIVE VIEW



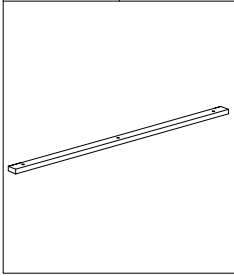
2People

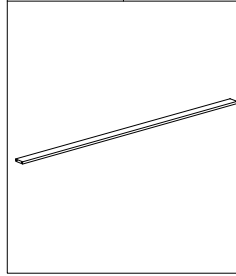


PARTS LIST







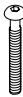

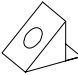







PARTS LIST


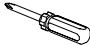
Q	x1
	

R	x2
	





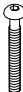

HARDWARE LIST

#1	x22	#2	x28	#3	x12	#4	x28	#5	x22	#6	x6
											
M3.5*14		M6*35mm		M8*30mm		M15*11mm		M4*35mm		M7*50mm	
#7	x18	#8	x3	#9	x12	#10	x3	#11	x4	#12	x2
											
M6*50mm		M6*30mm									
#13	x28	#14	x4								
											

TOOL LIST

#15	x1	#16	x1
			
M4			

HARDWARE SPARE LIST

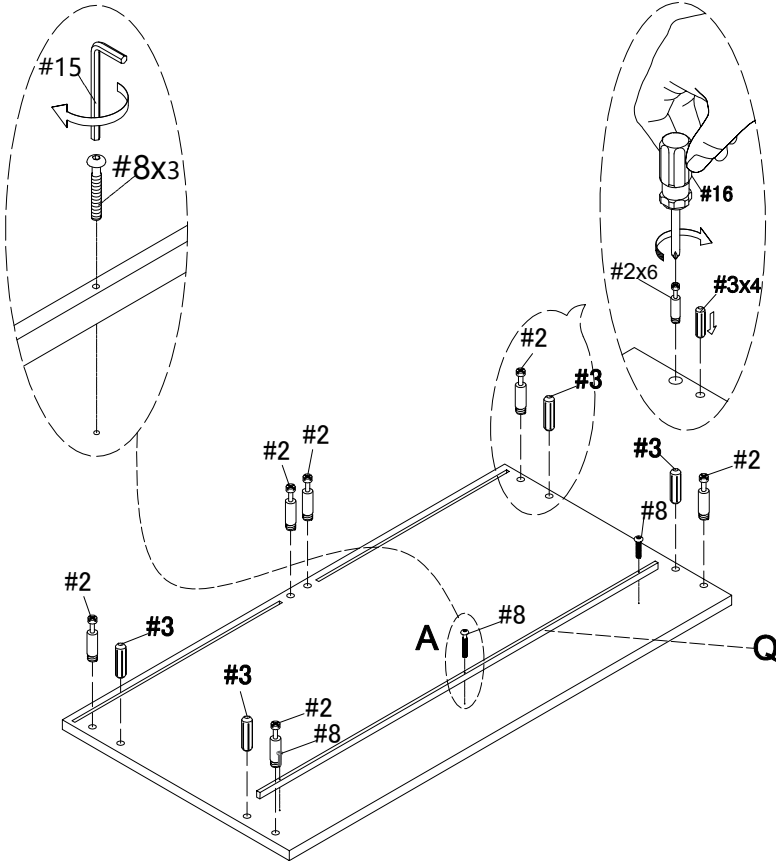
#1	x2	#2	x2	#5	x2	#6	x1	#7	x1	#8	x1
											
M3.5*14		M6*35mm		M4*35mm		M7*50mm		M6*50mm		M6*30mm	





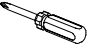
ASSEMBLY INSTRUCTIONS

STEP-1

Insert wooden dowel #3 into the corresponding hole of panel (A), and then insert bolt #2 into the corresponding hole of panel(A), tighten bolt #2 with screwdriver#16.

Use bolt #8 to attach part (Q) to the corresponding hole of panel(A), make sure all holes aligned and tighten bolt #8 with allen key #15.

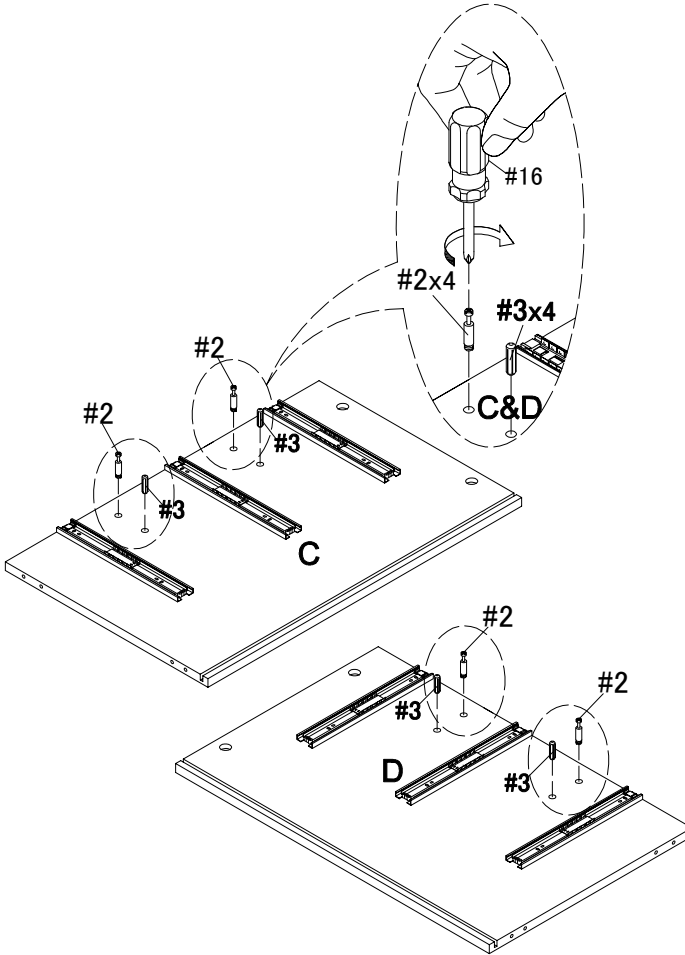




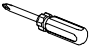
#2	x6	#3	x4	#8	x3	#15	x1	#16	x1
									
M6*35mm		M8*30mm		M6*30mm		M4			

ASSEMBLY INSTRUCTIONS

STEP-2

Insert wooden dowel #3 into the preassemble hole of panel (C)&(D), and then insert bolt #2 into the preassemble hole of panel (C)&(D), tighten bolt #2 with screwdriver #16.

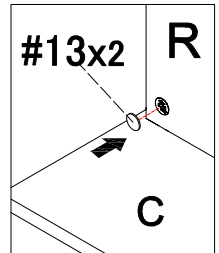
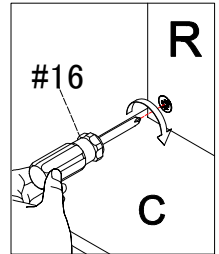
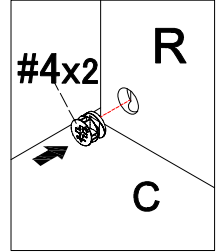
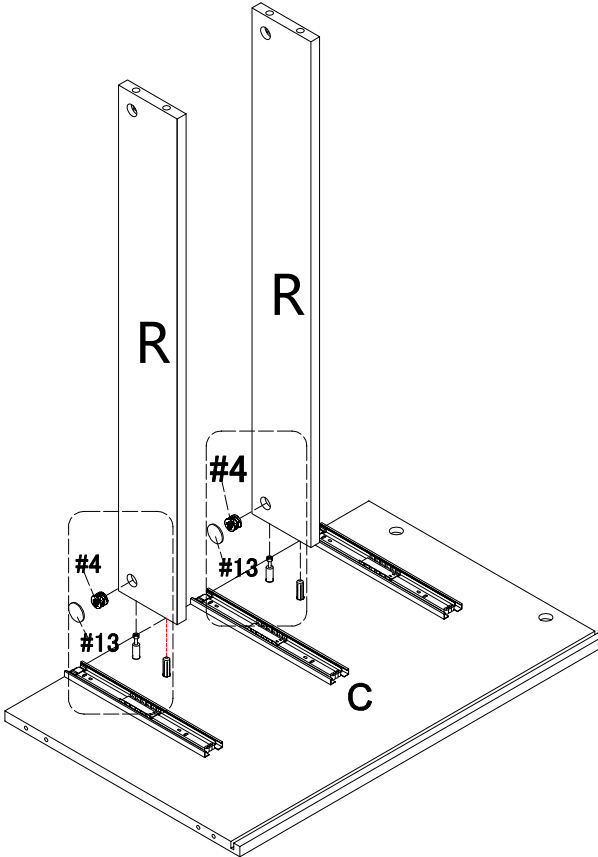



#2	x4	#3	x4	#16	x1
					
M6*35mm		M8*30mm			

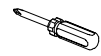
ASSEMBLY INSTRUCTIONS


STEP-3

Insert panel (R) into the corresponding hole of panel (C), and then insert cam bolt #4 into the corresponding hole of panel(R),tighten cam bolt #4 with screwdriver#16,finally stick paster#13 to it for look nice.



#13	x2
	

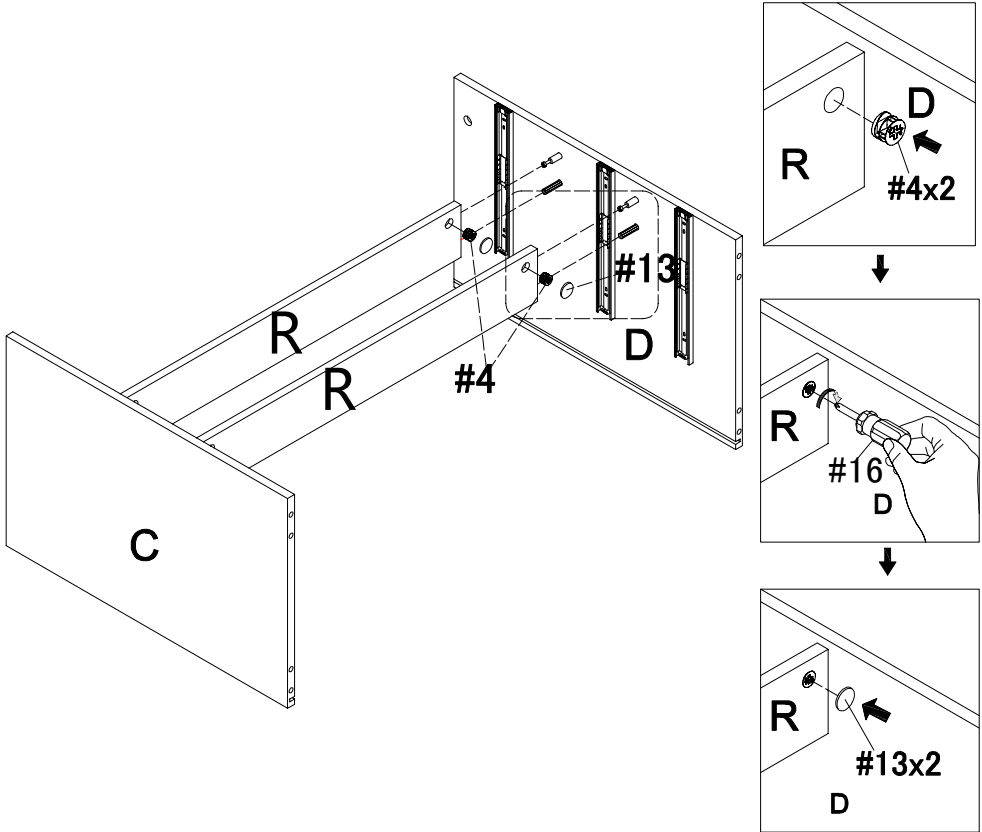
#16	x1
	



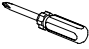
#4	x2
	
M15*11mm	

ASSEMBLY INSTRUCTIONS

STEP-4

Insert side panel (D) into the corresponding hole of panel (R), and then insert cam bolt #4 into the corresponding hole of panel (R), tighten cam bolt #4 with screwdriver #16, finally stick paster #13 to it for look nice.

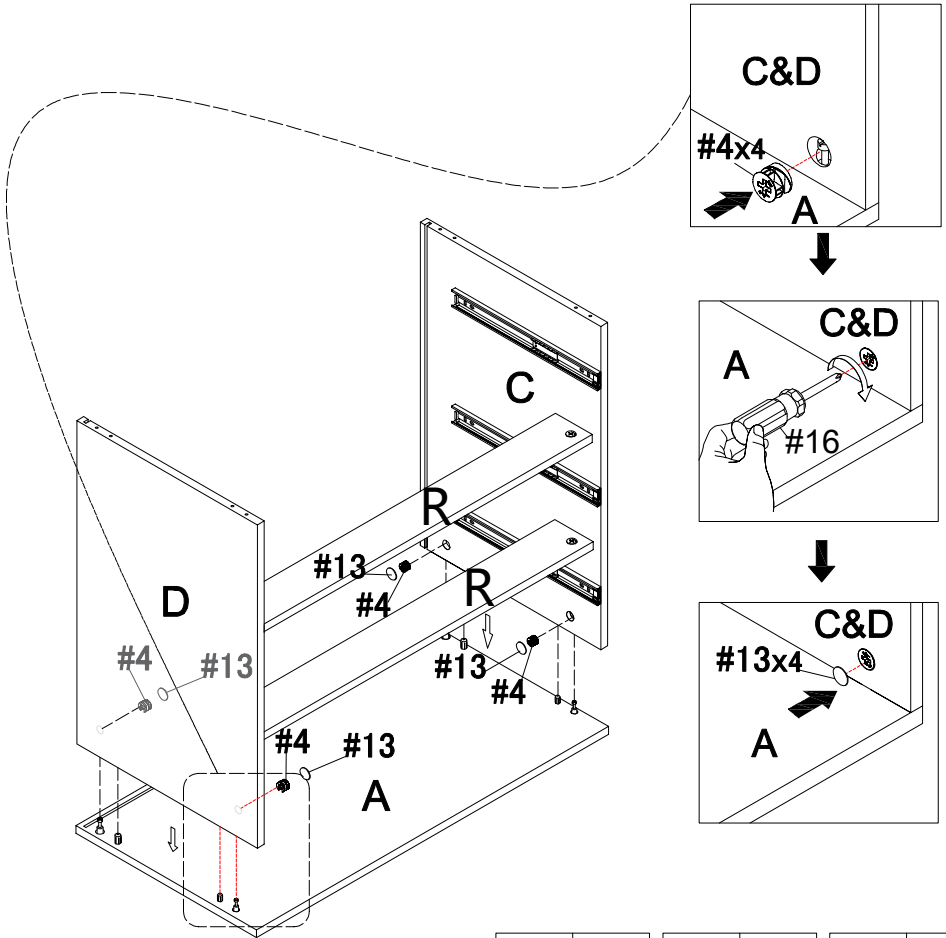




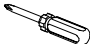
#13	x2	#4	x2	#16	x1
					
		M15*11mm			

ASSEMBLY INSTRUCTIONS

STEP-5

Insert preassembly step 4 into the corresponding hole of panel (A), and then insert cam bolt #4 into the corresponding hole of panel (C)&(D), tighten cam bolt #4 with screwdriver #16, finally stick paster #13 to it for look nice.

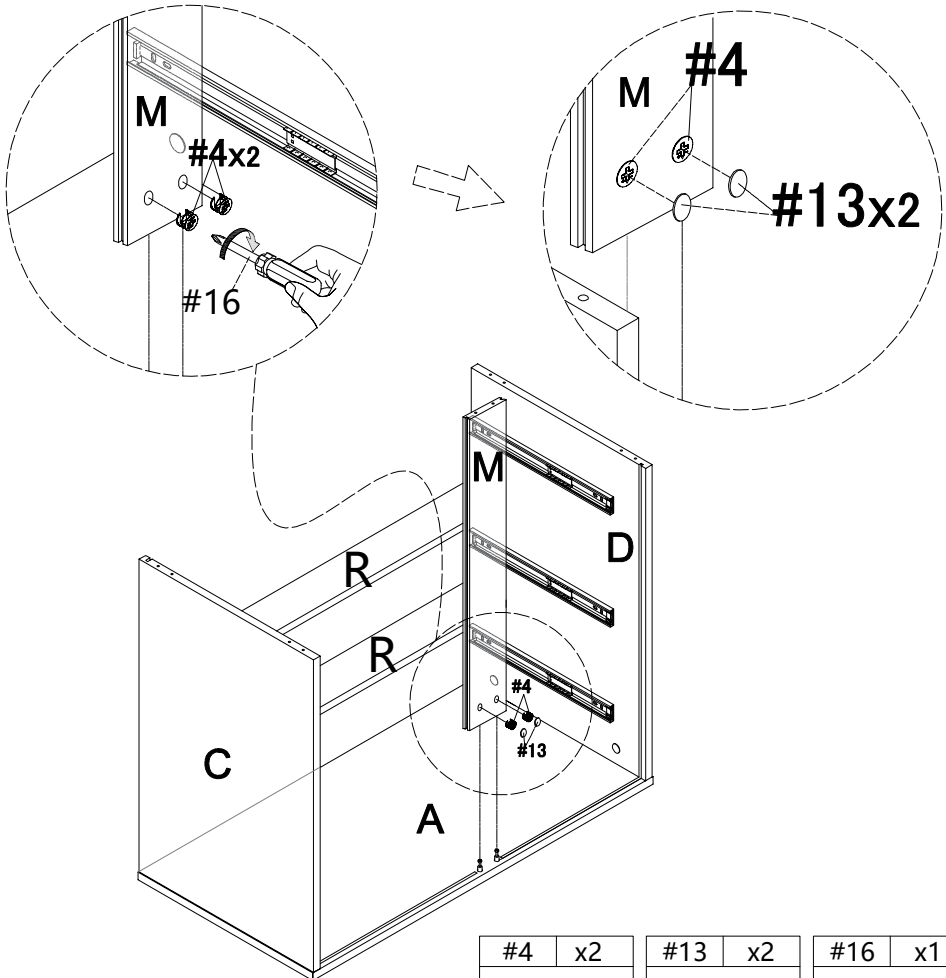




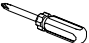
#4	x4	#13	x4	#16	x1
					
M15*11mm					

ASSEMBLY INSTRUCTIONS

STEP-6

Insert panel (M) into the corresponding hole of panel(A),and then insert cam bolt #4 into the corresponding hole of panel(M),tighten cam bolt #4 with screwdriver#16, finally stick paster #13 to it for look nice.

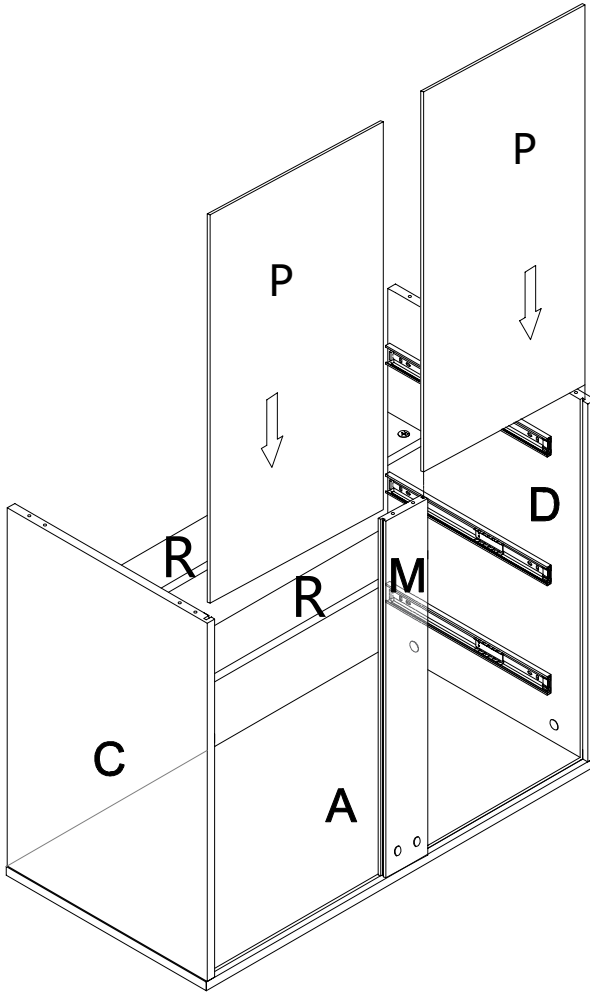


#4	x2	#13	x2	#16	x1
					
M15*11mm					

ASSEMBLY INSTRUCTIONS

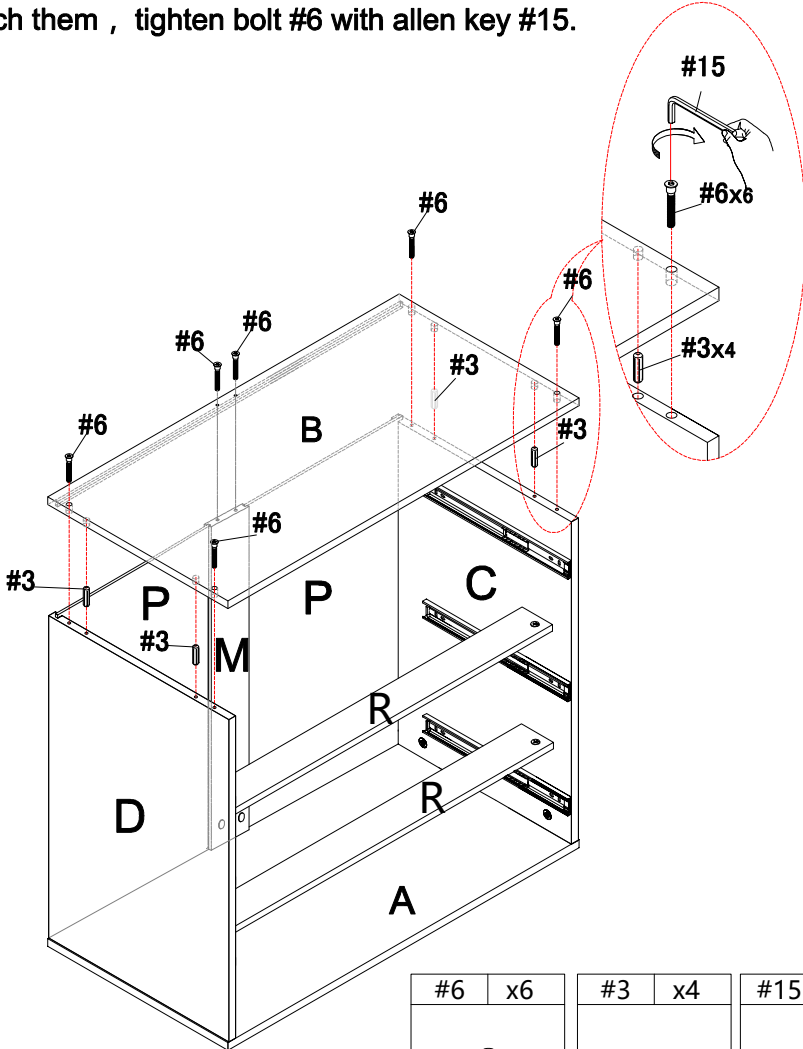
STEP-7




Carefully align and slide panel (P) into the groove along rear edge of pre-assemble unit at step 6, slide the panel (P) into the bottom.



ASSEMBLY INSTRUCTIONS

Insert wooden dowel #3 into the corresponding hole of side panel(C)&(D) as picture show, and then insert bottom panel(B) into the preassemble step 7, finally use bolt #6 to attach them, tighten bolt #6 with allen key #15.

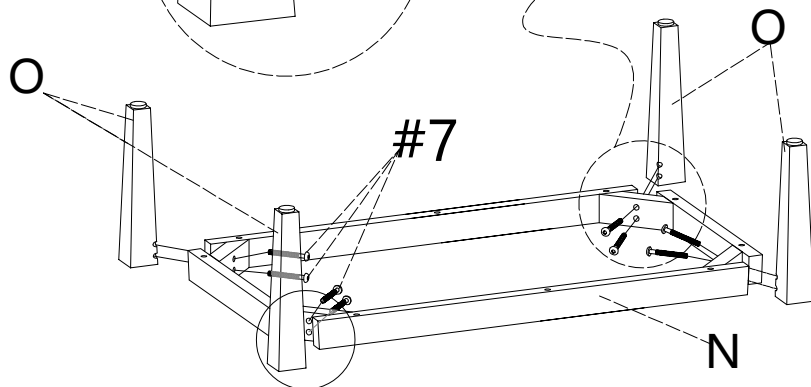
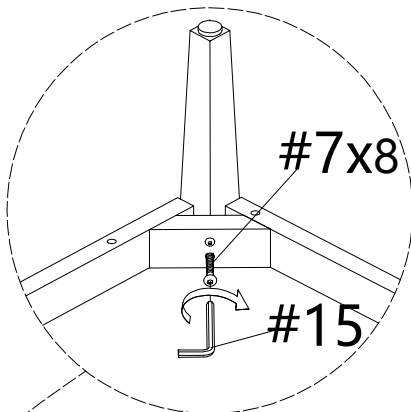
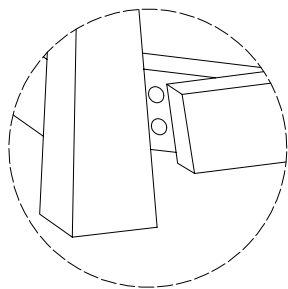
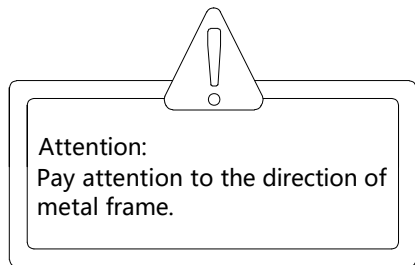


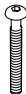

#6	x6	#3	x4	#15	x1
					
M7*50mm		M8*30mm		M4	

ASSEMBLY INSTRUCTIONS

STEP-9

Align the corresponding hole of leg (O) with the corresponding hole of part(N), use bolt #7 to attach leg (O) to part (N), tighten bolt #7 with allen key #15.

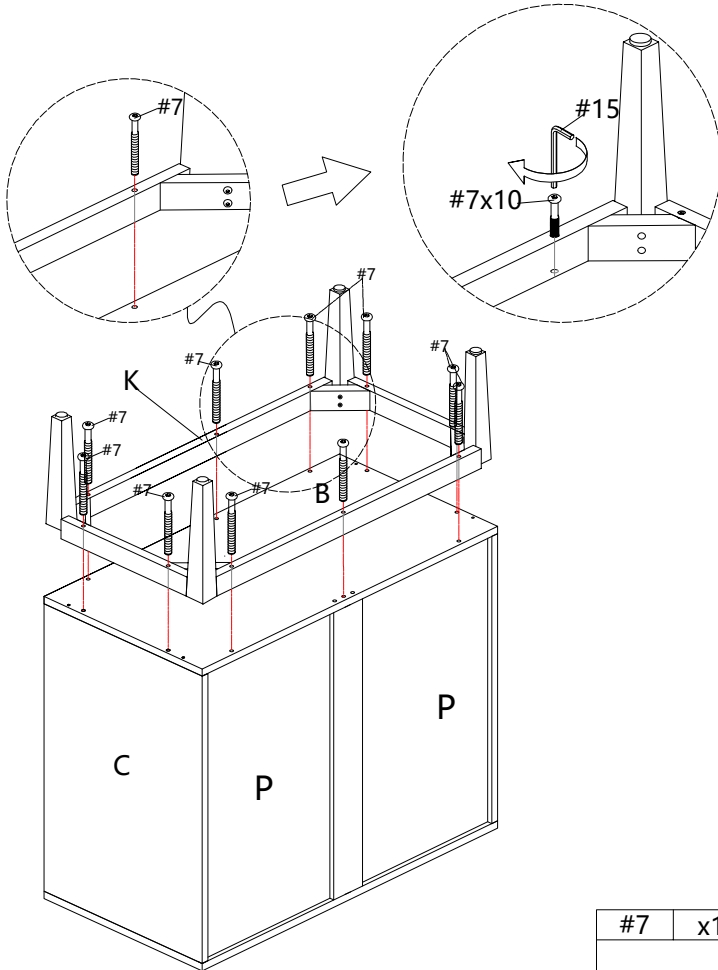




#7	x8	#15	x1
			
M6*50mm		M4	

ASSEMBLY INSTRUCTIONS

STEP-10

Align the corresponding hole of the preassembly step 9 with the corresponding hole of bottom panel(B), use bolt #7 to attach preassembly step 9 to bottom panel (B), make sure all holes aligned and tighten bolt #7 with allen key #15.

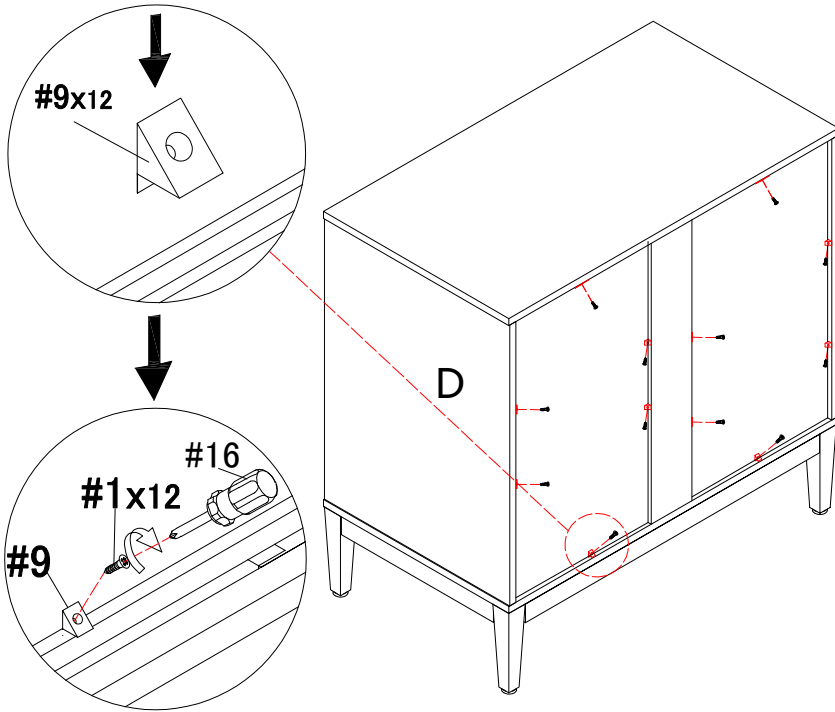



#7	x10	#15	x1
			
M6*50mm		M4	


ASSEMBLY INSTRUCTIONS

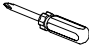
STEP-11

Use screw #1 to attach part #9 to the panel(A)&(B)&(C)&(D)&(M) as picture show, tighten screw #1 with screwdriver#16.



#1	x12
	
M3.5*14	

#9	x12
	

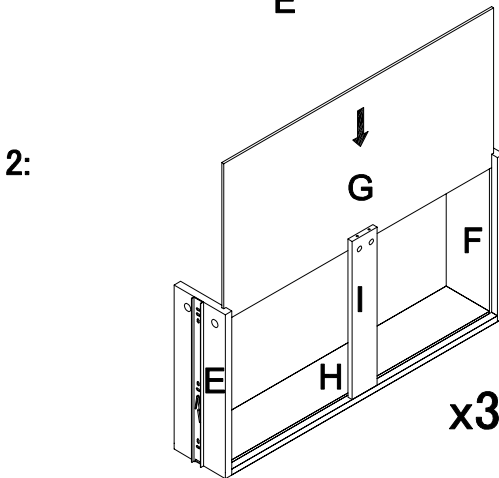
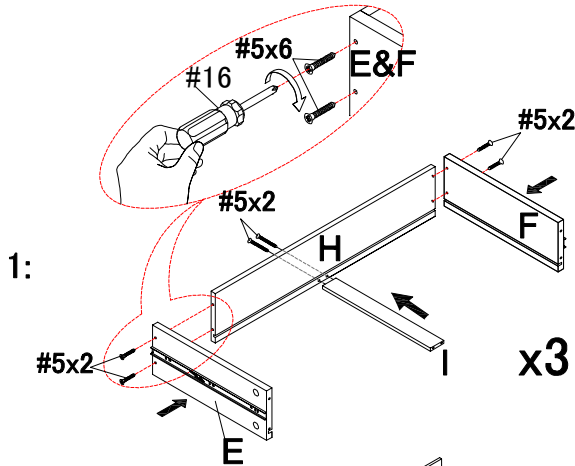
#16	x1
	


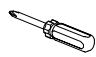
ASSEMBLY INSTRUCTIONS

STEP-12

12.1 Use screw #5 to attach drawer side panel (E)&(F)to drawer back panel(H) as picture show, tighten screw #5 with screwdriver#16 and then use bolt #5 to attach panel(I) to drawer back panel(H),make sure all holes aligned, tighten screw#5 with screwdriver#16.

12.2 Carefully align and slide panel (G) into the groove along rear edge of pre-assembled step 12.1.

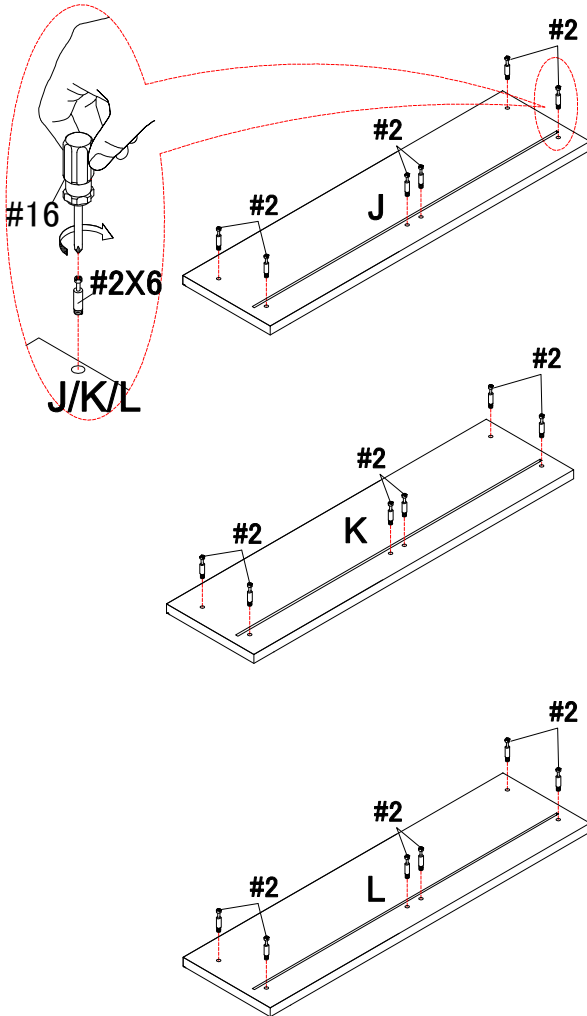



#5	x18	#16	x1
			
M4*35mm			

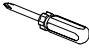
ASSEMBLY INSTRUCTIONS

STEP-13

Insert bolt #2 into drawer panel (J)&(K)&(L), make sure all holes aligned and tighten bolt #2 with screwdriver #16.



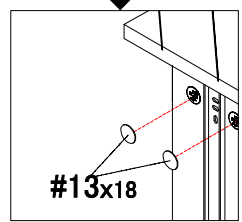
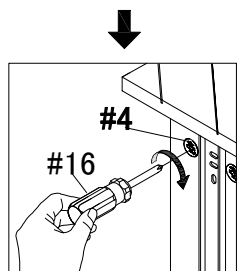
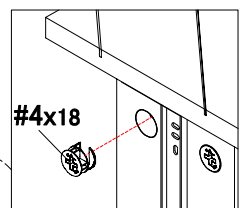
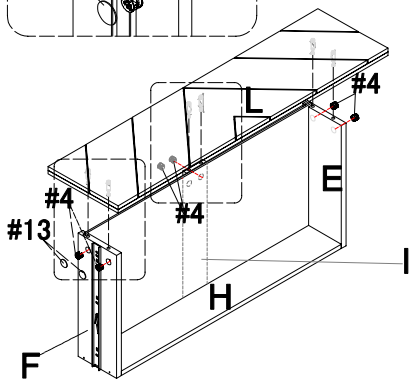
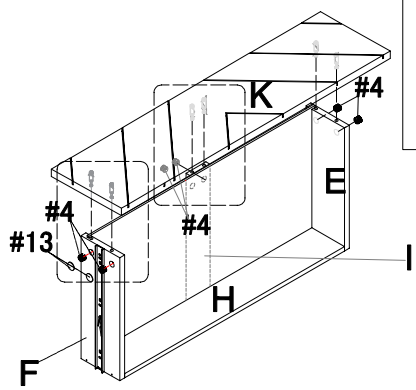
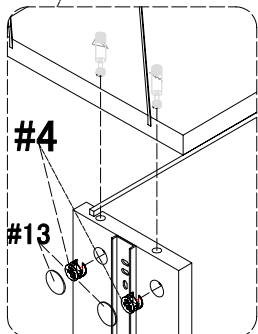
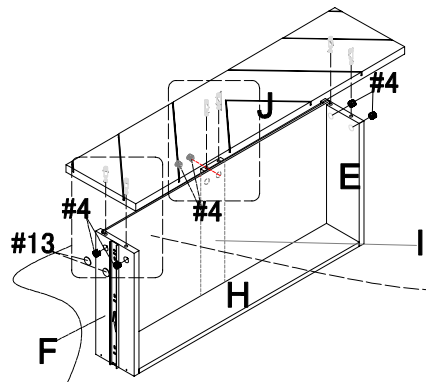
#2	x18
	
M6*35mm	



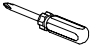
#16	x1
	

ASSEMBLY INSTRUCTIONS

STEP-14

Insert drawer panel(J)&(K)&(L) into the corresponding hole of preassemble step 12.2, make sure all holes aligned and insert cam bolt #4 into drawer panel(E)&(F),tighten cam bolt #4 with screwdriver #16.

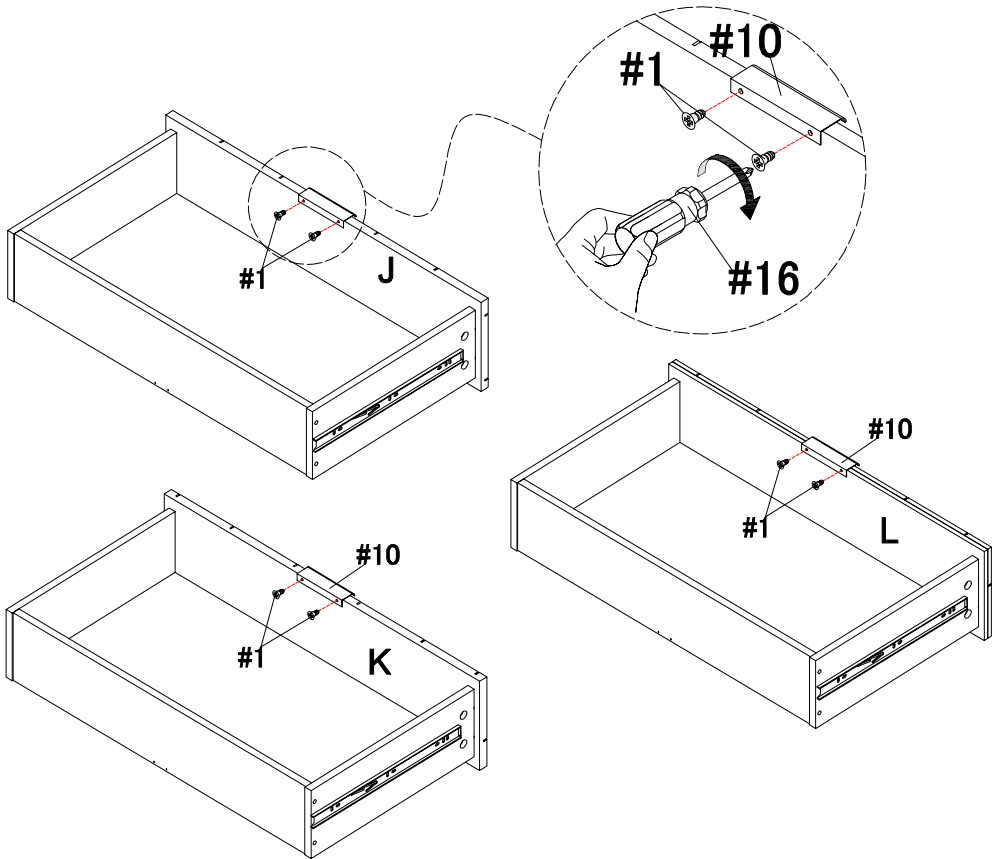


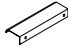

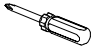
#4	x18	#13	x18	#16	x1
					
M15*11mm					

ASSEMBLY INSTRUCTIONS

STEP-15

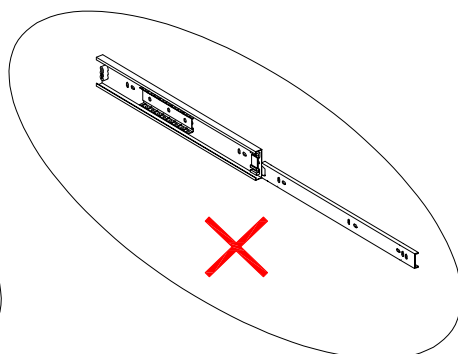
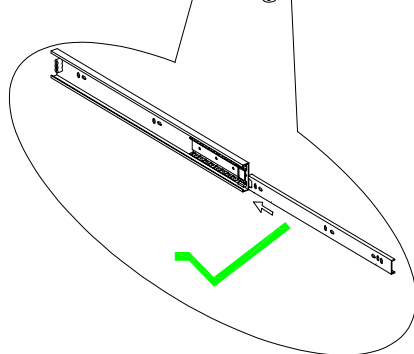
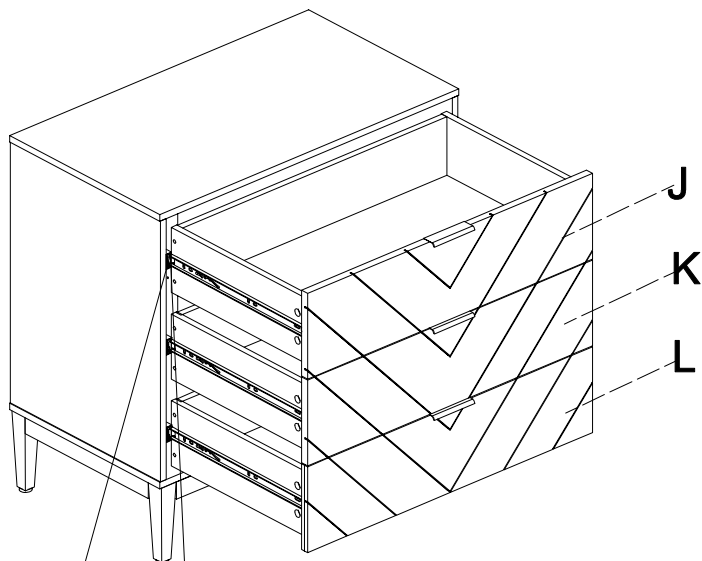
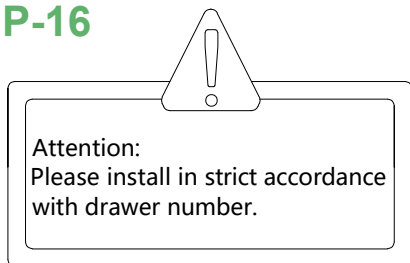
Use screw #1 to attach handle #10 to drawer panel (J)&(K)&(L), make sure all holes aligned and tighten screw #1 with screwdriver #16.



#10	x3	#1	x6	#16	x1
					

ASSEMBLY INSTRUCTIONS

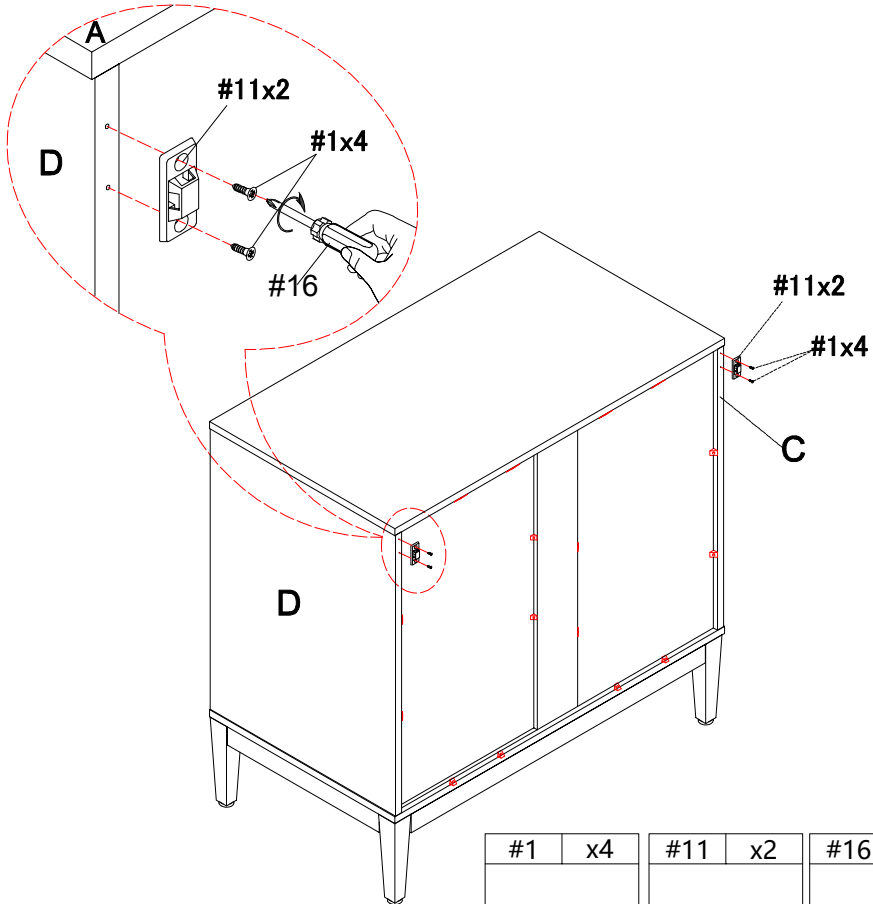
STEP-16


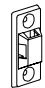
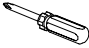


ASSEMBLY INSTRUCTIONS

STEP-17




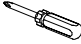
Use screw #1 to attach part #11 to side panel (C)&(D), tighten screw#1 with screwdriver#16.

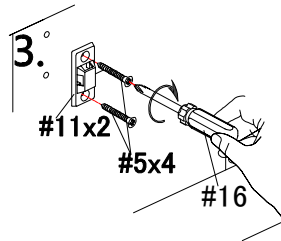
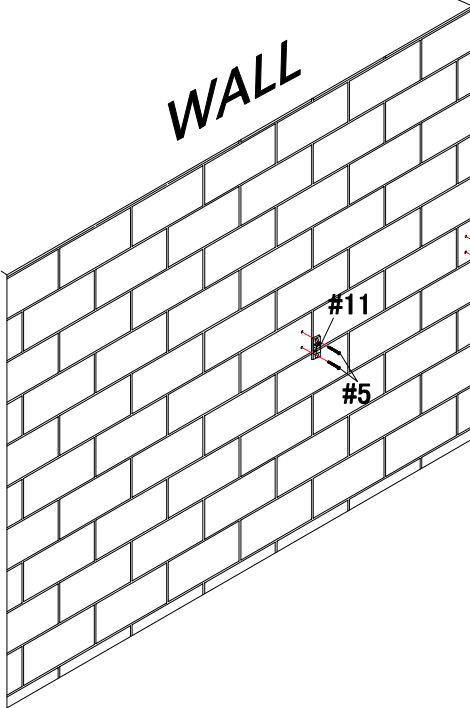
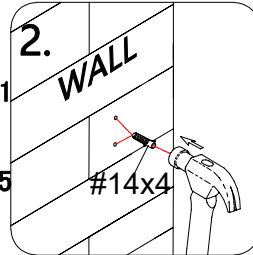
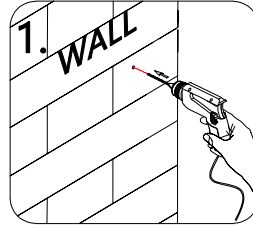


#1	x4	#11	x2	#16	x1
					

ASSEMBLY INSTRUCTIONS

STEP-18

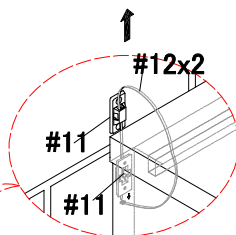
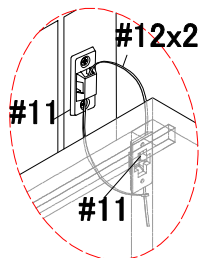
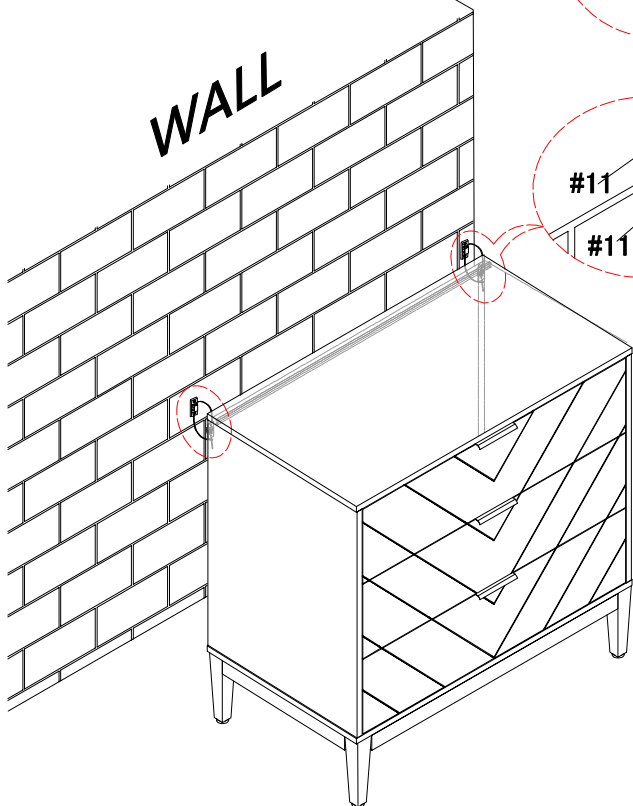
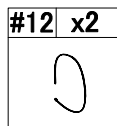
#5	x4	#14	x4	#11	x2	#16	x1
							



STEP20: Mark the position on the wall, that corresponds to the location of part #11 on the side panels C,D; Drill and insert the expandable screw #14 by hammer. Assemble the part#11 to the wall. Align the hole in the part #11 with the expandable screw #14, use screw #5 to attach it and tighten by screwdriver #16

ASSEMBLY INSTRUCTIONS

STEP-19



STEP21:

Let the plastic belt #12 pass through the both part #11 and pull tightly.

WARRANTY

1. We strive to offer high-quality products, and we also try our best to satisfy each and every customer that orders from us with product or service as needed.
2. We provide 30 days warranty starting from the time you receive the item. Each customer must provide a record of their order such as the order number, or item receipt for any items that are out of the warranty period you may also still receive.
3. Replacement parts by purchasing them with our company if they are available.

Are you having difficulty
With assembly? Missing parts?
Please send email with your order No to
customerservice@hulalahome.com
For return, please check the return policy with
the retailer or market place you bought from.

Appreciate your purchasing from us.
Pop up your life by our furniture piece!