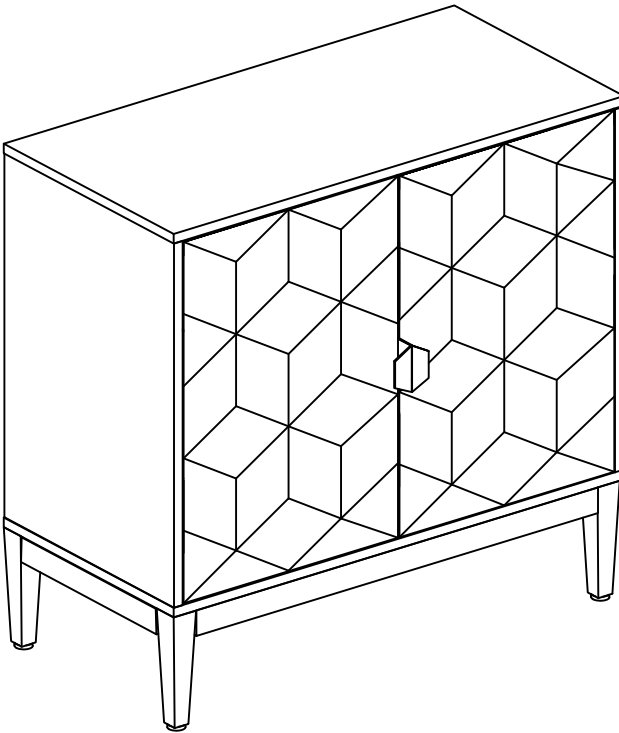


HULALA

H O M E



ITEM NO.SCSD0860

NOTE:

This brochure contains IMPORTANT safety info. Please read and keep for future reference.

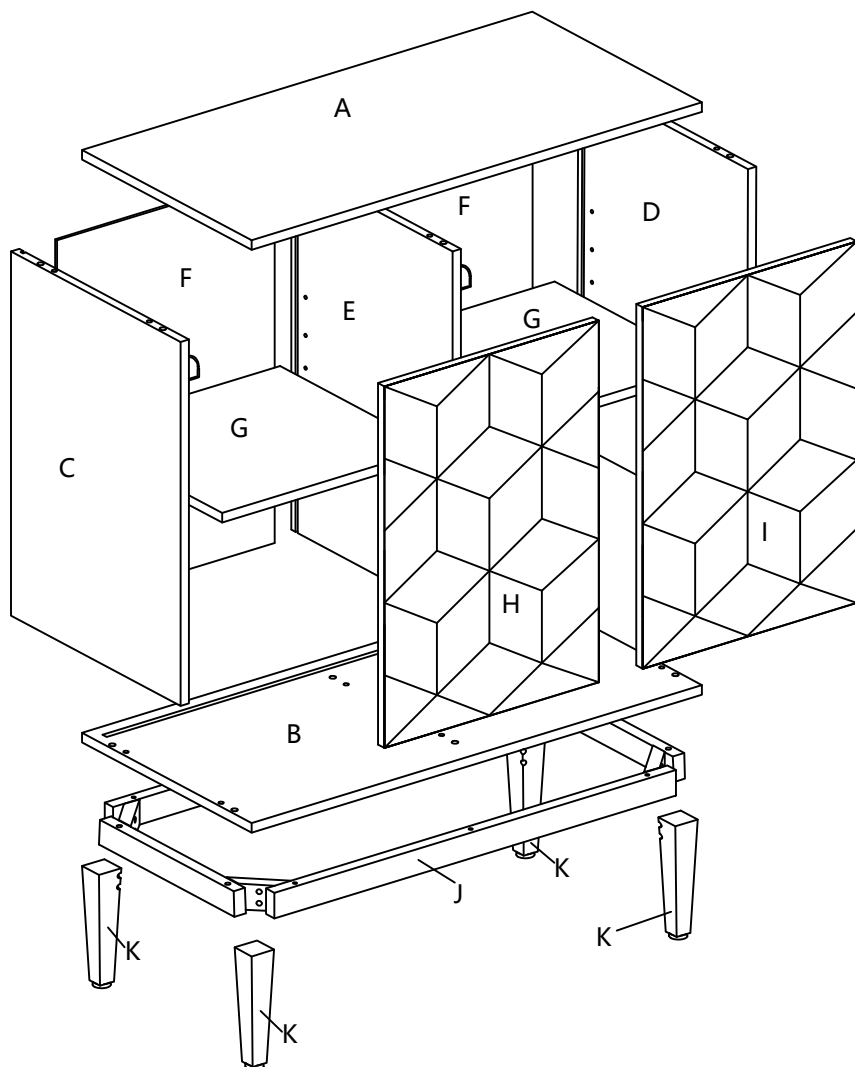
MAINTAINANCE AND WARNING

- 1.Keep furniture away from heat sources.
- 2.Do not clean furniture with harsh cleaner or polishes.Do not use detergents,solvents,abrasives,spray packs or leather cleaner. Use non-color mild soa with warm water to clean spills(Mix 1:10 soap to water).
- 3.Do not place furniture under direct sunlight,material will possibly fade over time.
- 4.Do not use on site dry cleaning machine.Children should not climb or jump on the furniture.
- 5.Do not write on furniture that is not protectedby a padded barrier.
- 6.Not for commercial use,only for residential use.

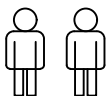


Weight Limitation
150 LBS

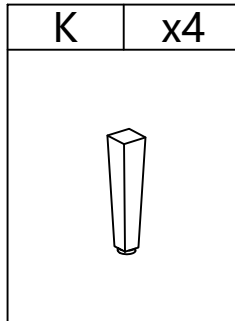
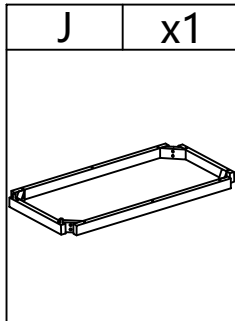
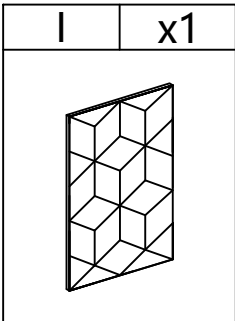
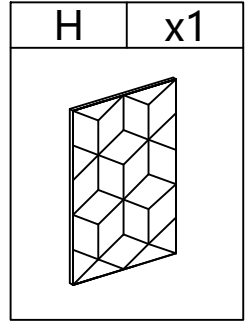
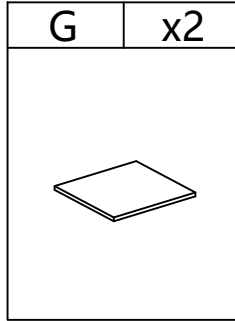
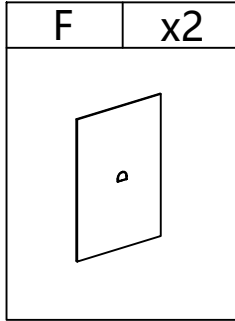
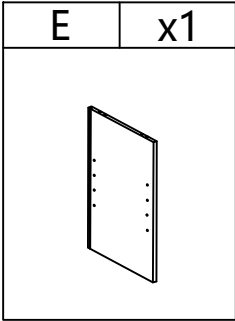
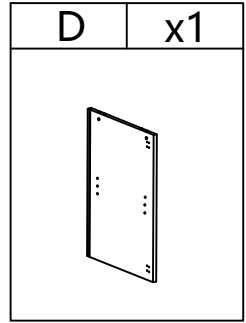
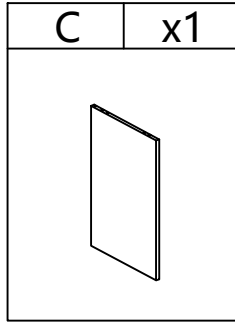
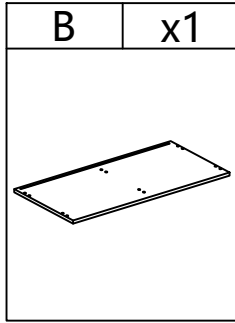
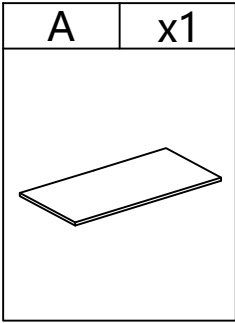
EXPLOSIVE VIEW


















2 PERSONEN





PARTS LIST








HARDWARE LIST

#1	x6	#2	x12	#3	x6	#4	x18	#5	x42	#6	x6
											
Ø6*35mm		Ø8*30mm		M7*50mm		M6*50mm		M3.5*14mm		Ø15*11mm	
#7	x8	#8	x4	#9	x2	#10	x1	#11	x2	#12	x2
											
										M4*35mm	
#13	x6	#14	x12	#15	x2						
											

TOOL LIST

#16	x1	#17	x1
			
		M4	

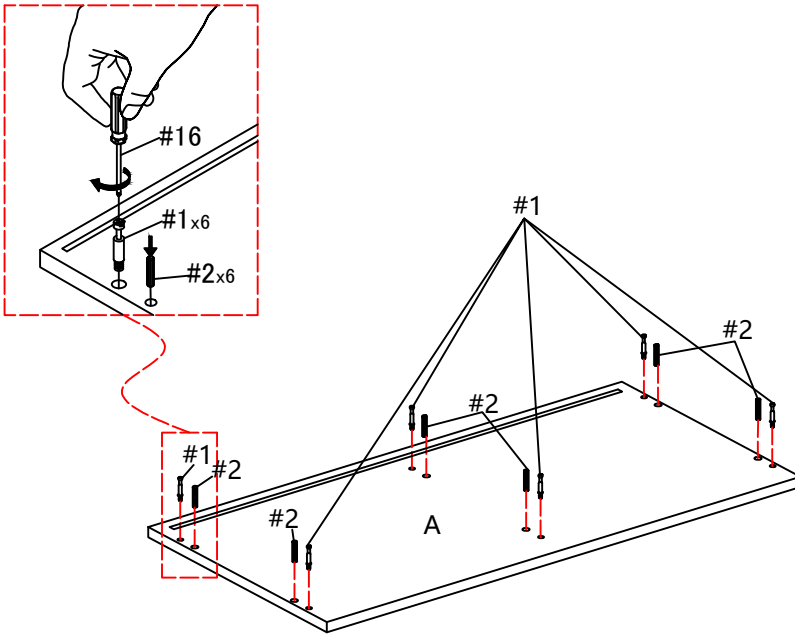
HARDWARE SPARE LIST




#1	x1	#3	x1	#4	x1	#5	x4	#12	x1
									
Ø6*35mm		M7*50mm		M6*50mm		M3.5*14mm		M4*35mm	

ASSEMBLY INSTRUCTIONS

STEP-1

Insert wooden dowel #2 into the corresponding hole of top panel (A), and then screw bolt #1 into the corresponding hole of top panel (A), tighten bolt #1 with screwdriver #16.

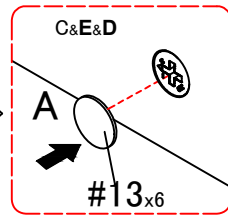
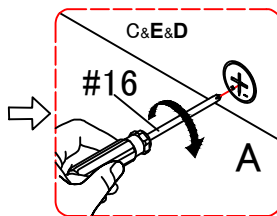
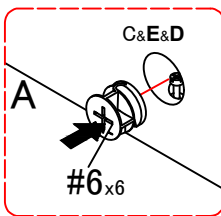
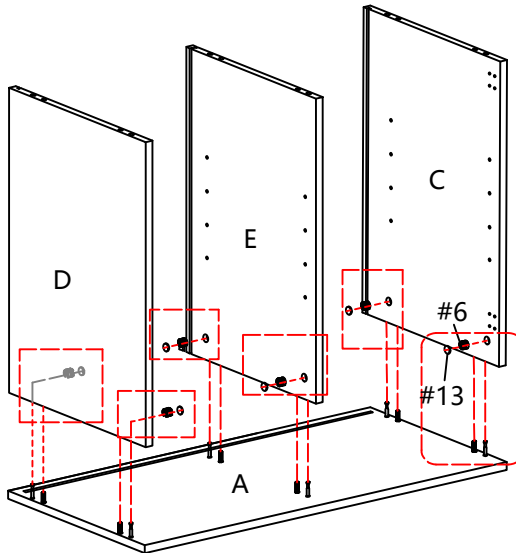





#1	x6	#2	x6	#16	x1
					
Ø6*35mm		Ø8*30mm			

ASSEMBLY INSTRUCTIONS

STEP-2

Insert side panel (C)&(D)、 middle vertical panel(E) into the preassemble top panel (A),and then insert cam bolt #6 into the corresponding hole of side panel (C)&(D)&middle vertical panel(E),tighten cam bolt #6 with screwdriver #16,finally stick paster #13 to it for look nice.

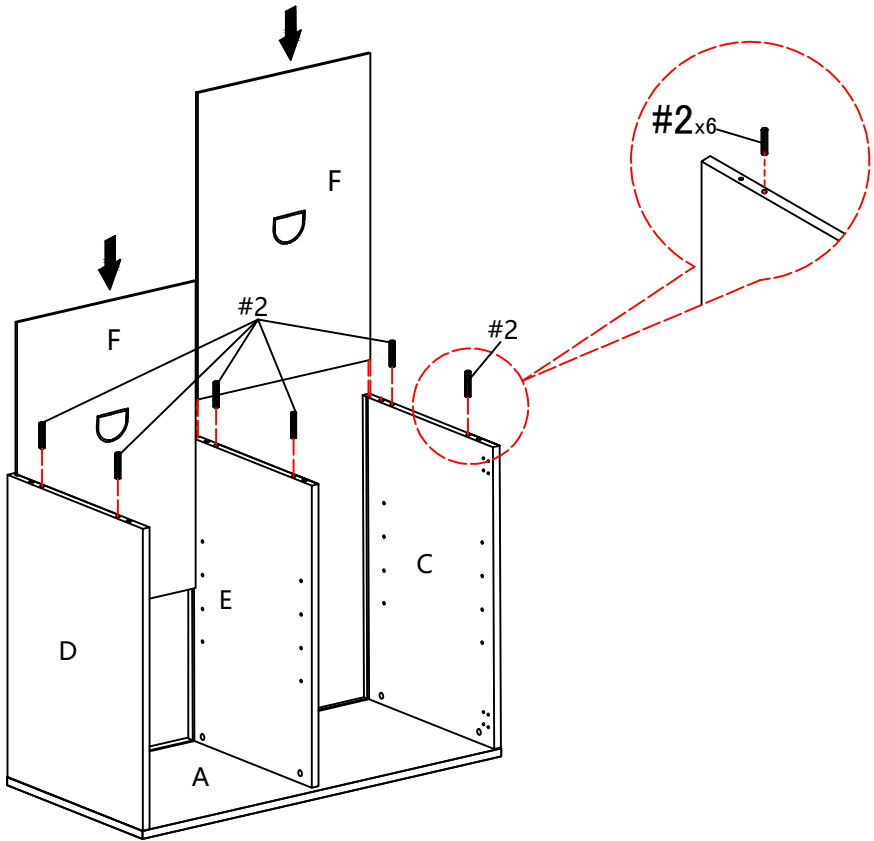



#6	x6	#13	x6	#16	x1
					
Ø15*11mm					

ASSEMBLY INSTRUCTIONS

STEP-3

Carefully align and slide panel (F) into the groove along rear edge of pre-assembly step 2, and then insert wooden dowel #2 into the corresponding hole of panel(C)&(D)&(E).

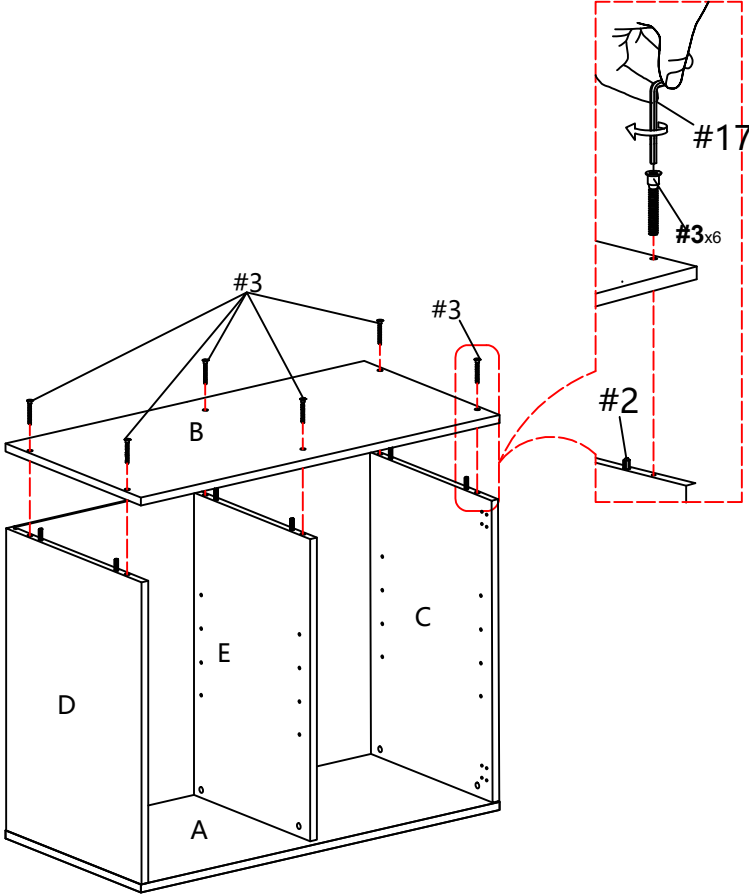



#2	x6
	
Ø8*30mm	


ASSEMBLY INSTRUCTIONS

STEP-4

Insert bottom panel (B) into preassemble step 3, make sure all hole aligned and then use bolt #3 to attach them, tighten bolt #3 with allen key #17.



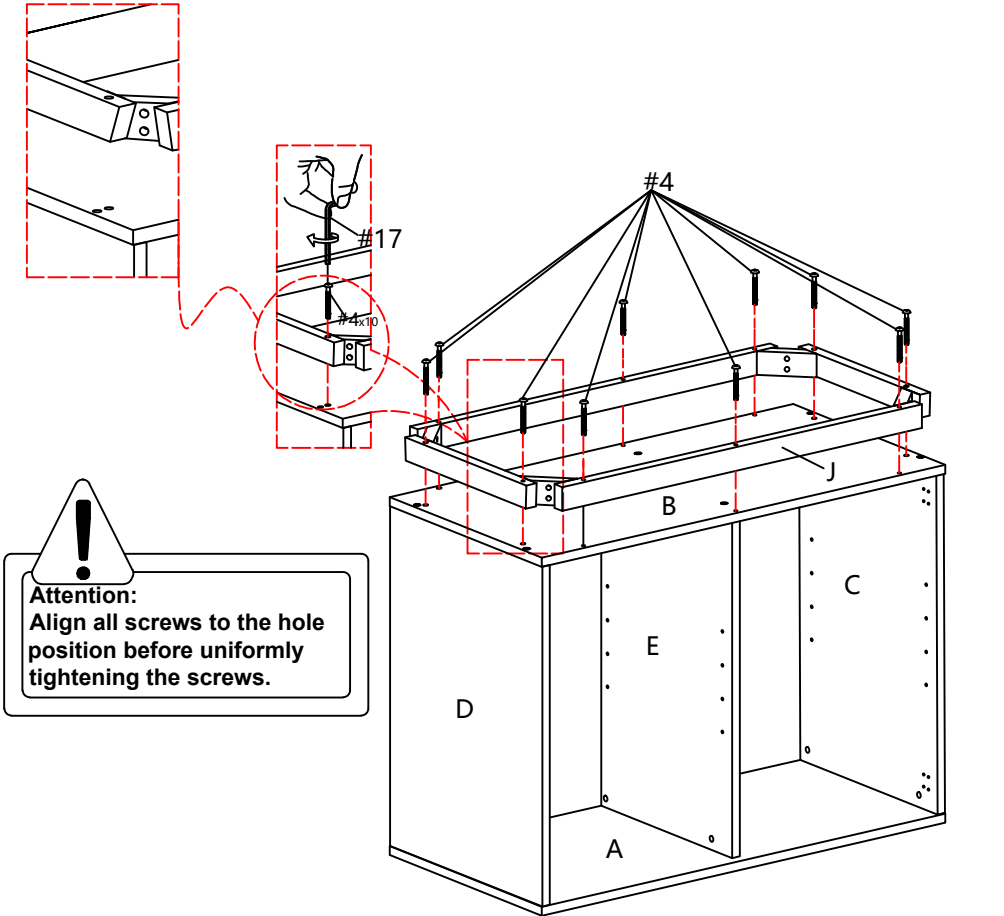
#3	x6
	
M7*50mm	



#17	x1
	
M4	

ASSEMBLY INSTRUCTIONS

STEP-5

Connect the leg frame to the cabinet. Align the hole in the leg frame part J to the hole in the part B, tighten bolt #4 with allen key #17.

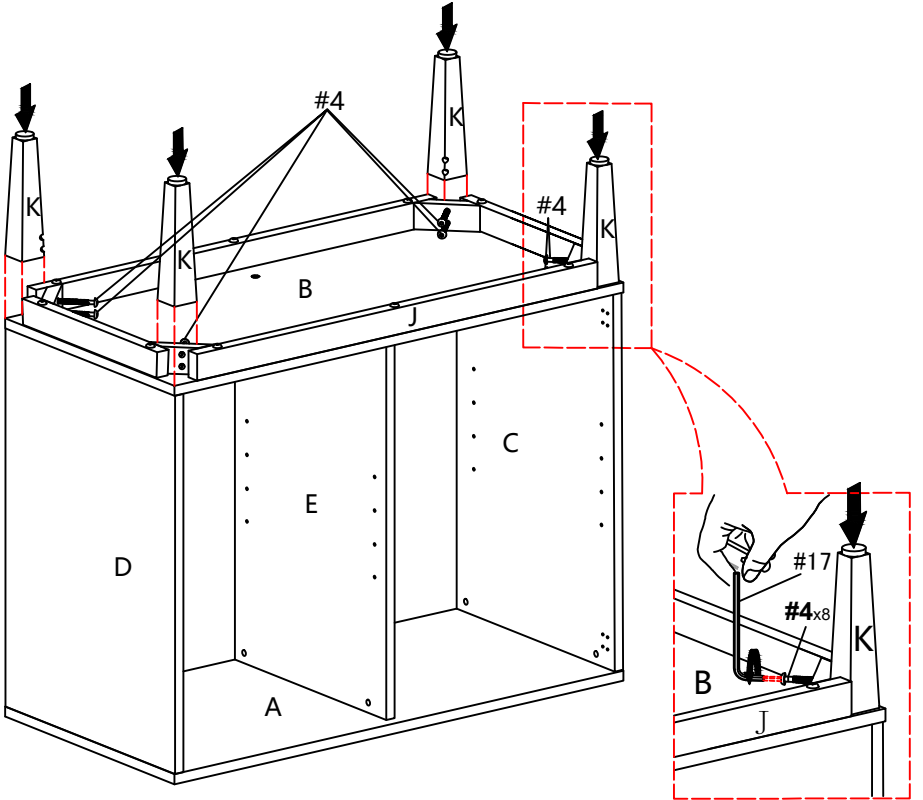




#4	x10	#17	x1
			
M6*50mm		M4	

ASSEMBLY INSTRUCTIONS

STEP-6

Use bolt #4 to attach leg (K) to the corresponding hole of part (B) as picture show, tighten bolt #4 with allen key #17.



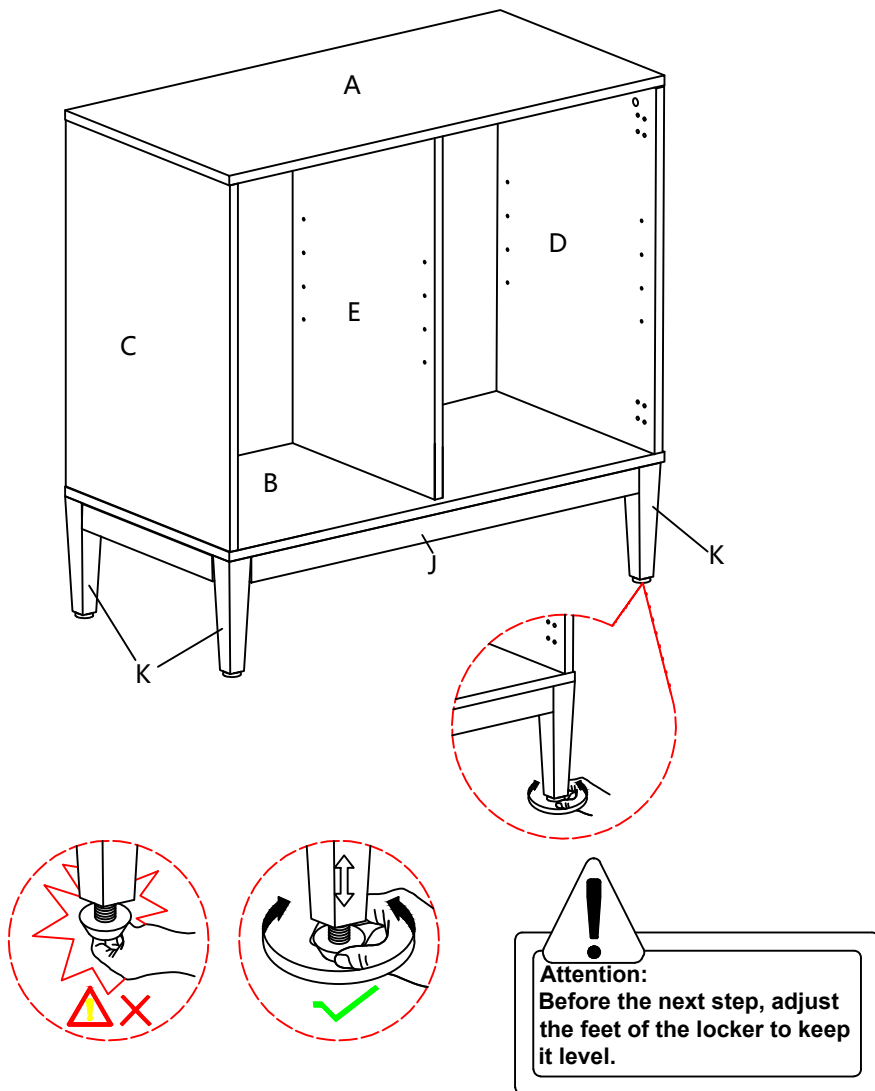
#4	x8	#17	x1
			
M6*50mm		M4	

ASSEMBLY INSTRUCTIONS

STEP-7

Attention:

Before the next step, adjust the feet of the locker to keep it level.

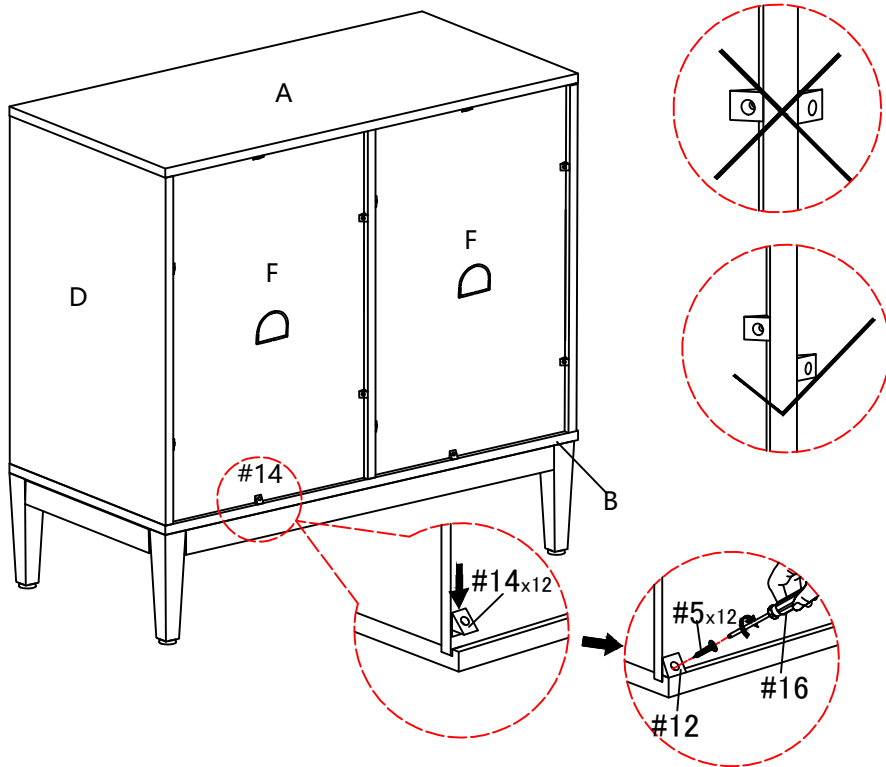





ASSEMBLY INSTRUCTIONS

STEP-8

Use screw #5 to attach part #14 to panel

(A)&(B)&(C)&(D)&(E),tighten screw #5 with screwdriver #16.

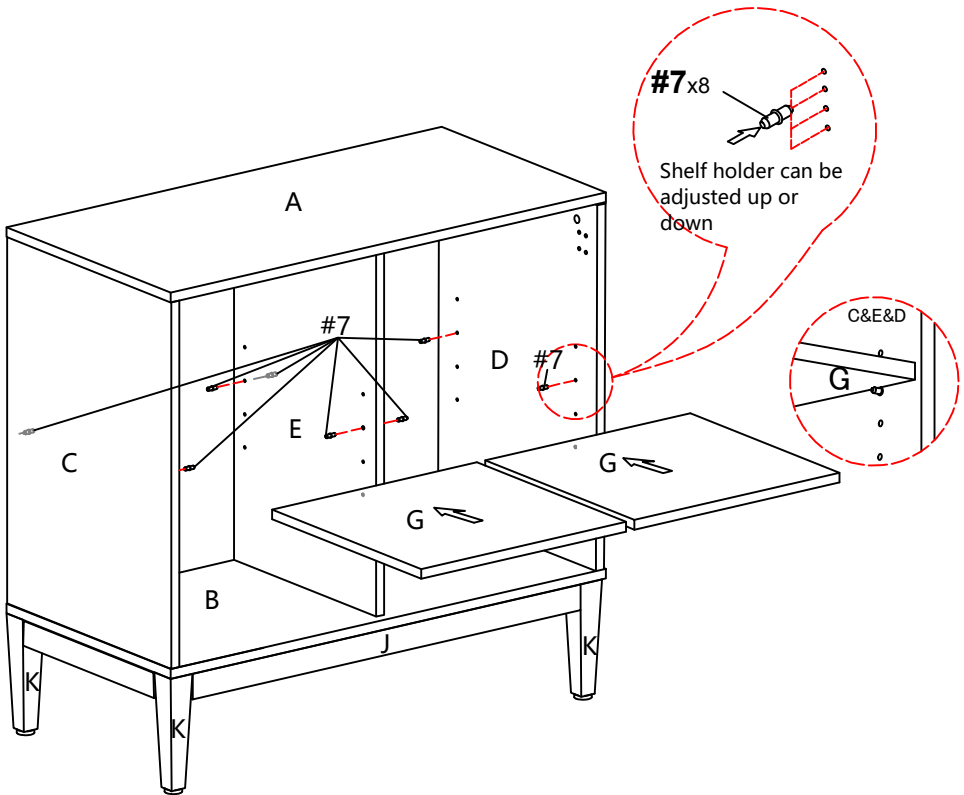



#5	x12	#14	x12	#16	x1
					
M3.5*14mm					

ASSEMBLY INSTRUCTIONS

STEP-9

Insert shelf holder #7 into the corresponding hole of panel(C)&(D)&(E) and then attach adjustable shelf (G) to it.

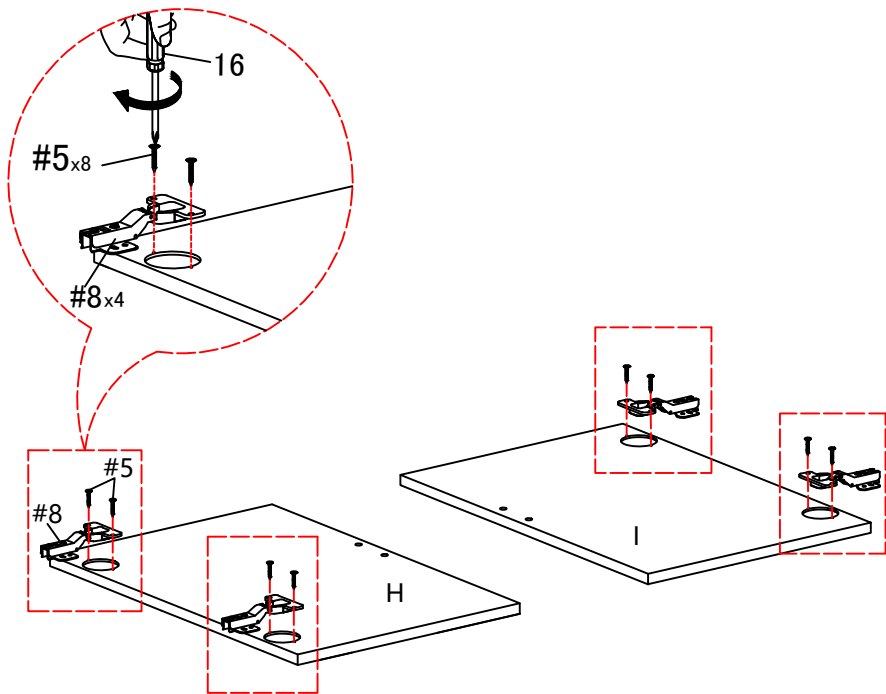





#7	x8
	

ASSEMBLY INSTRUCTIONS

STEP-10

Use screw #5 to attach hinge #8 to door (I)&(H),tighten screw #5 with screwdriver #16.

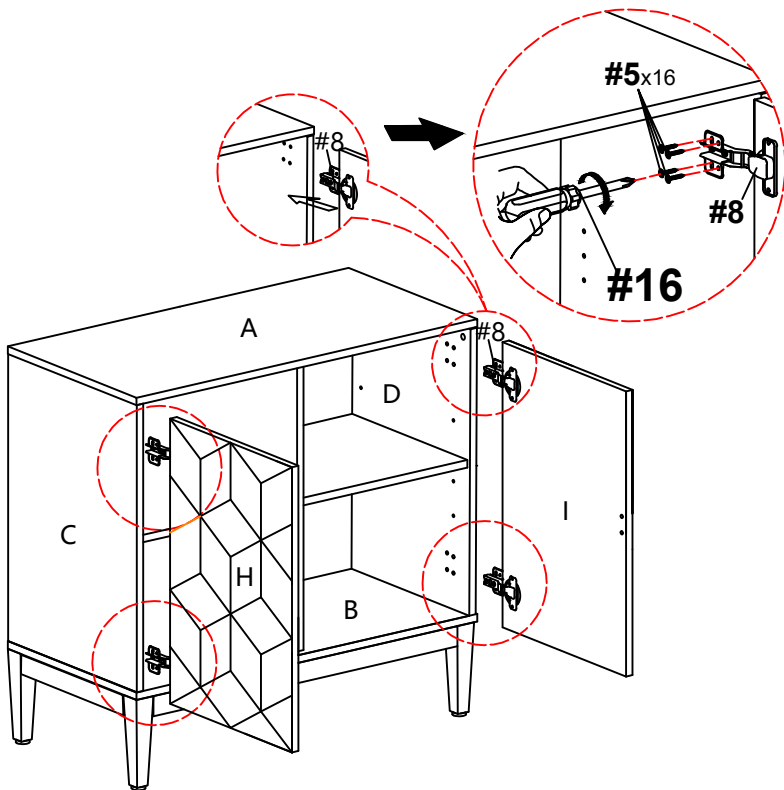



#5	x8	#8	x4	#16	x1
					
M3.5*14mm					


ASSEMBLY INSTRUCTIONS

STEP-11

Use screw #5 to attach preassemble hinge #8 to panel (C)&(D),
tighten screw #5 with screwdriver #16.



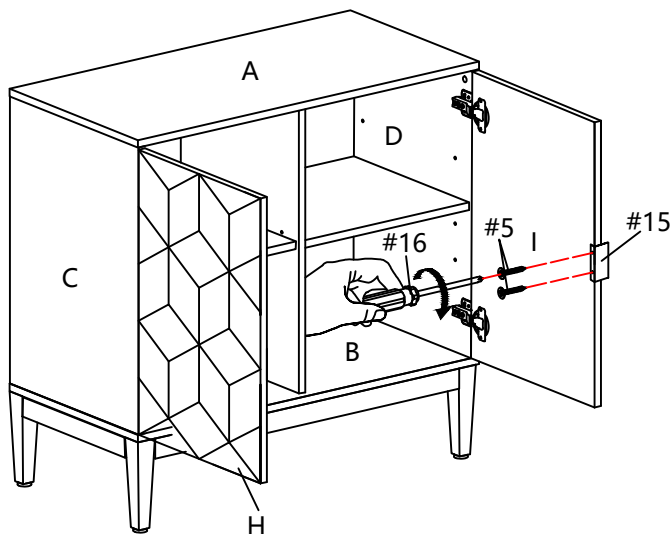
#5	x16
	
M3.5*14mm	




#16	x1
	

ASSEMBLY INSTRUCTIONS

STEP-12

Insert part #15 into the corresponding position of door (I)&(H),and then use screw #5 to attach part #15 to door (H)&(I),make sure all holes aligned and tighten screw #5 with screwdriver #16.

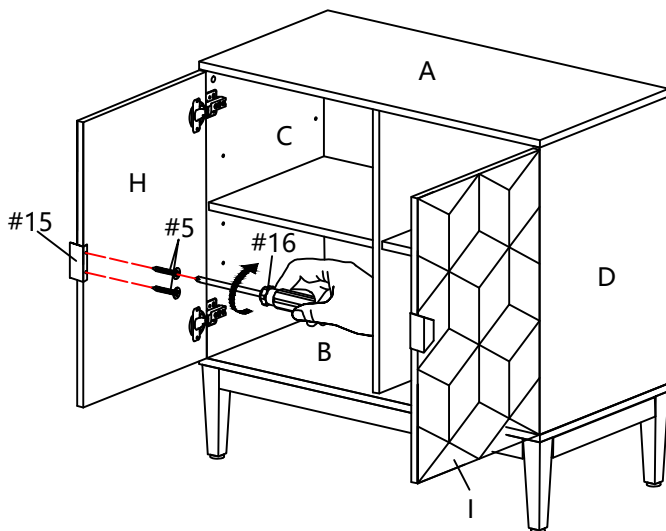





#5	x2	#15	x1	#16	x1
					
M3.5*14mm					

ASSEMBLY INSTRUCTIONS

STEP-13

Insert part #15 into the corresponding position of door (I)&(H),and then use screw #5 to attach part #15 to door (H)&(I),make sure all holes aligned and tighten screw #5 with screwdriver #16.

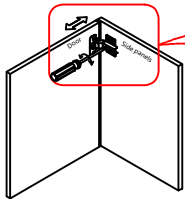


#5	x2	#15	x1	#16	x1
					
M3.5*14mm					

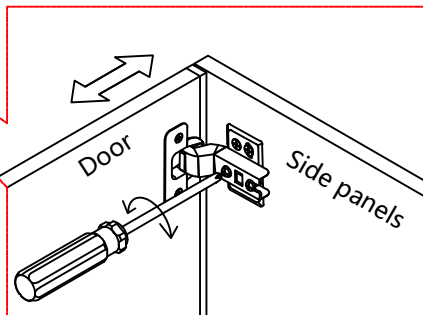
ASSEMBLY INSTRUCTIONS

HINGE ADJUST

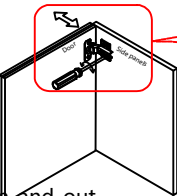
Concealed hinges are three-way adjustable:



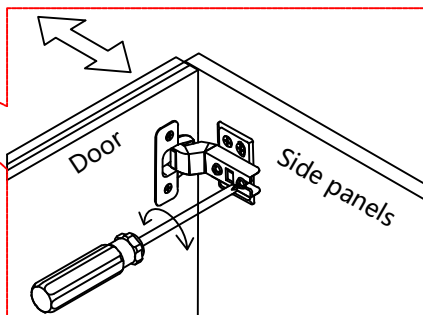
Horizontal
by screw adjustment!



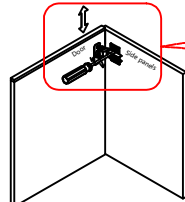
Concealed hinges are three-way adjustable:



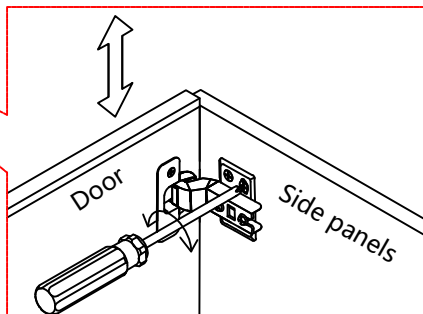
In-and-out
by loosening the hinge arm
mounting screw or via cam
adjustment!



Concealed hinges are three-way adjustable:



Vertical via slots in
the mounting plate
or via cam
adjustment!






Hinge adjustment method



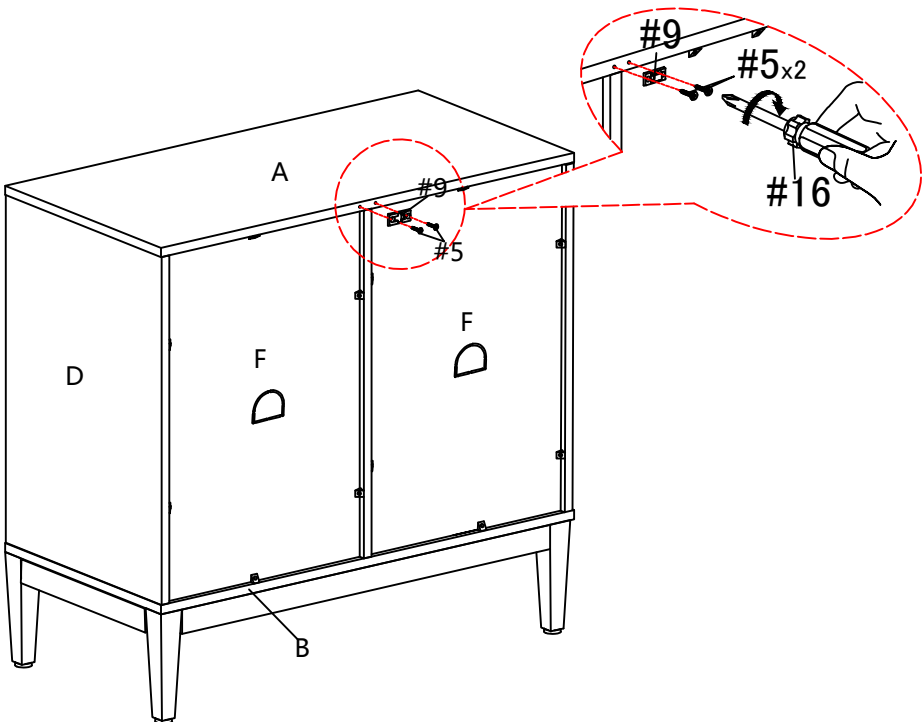
Video for door adjustment

ASSEMBLY INSTRUCTIONS





#5	x2	#9	x1	#16	x1
					
M3.5*14mm					

STEP-14

Use screw #5 to attach plastic bracket #9 to panel (A), tighten screw #5 with screwdriver #16.

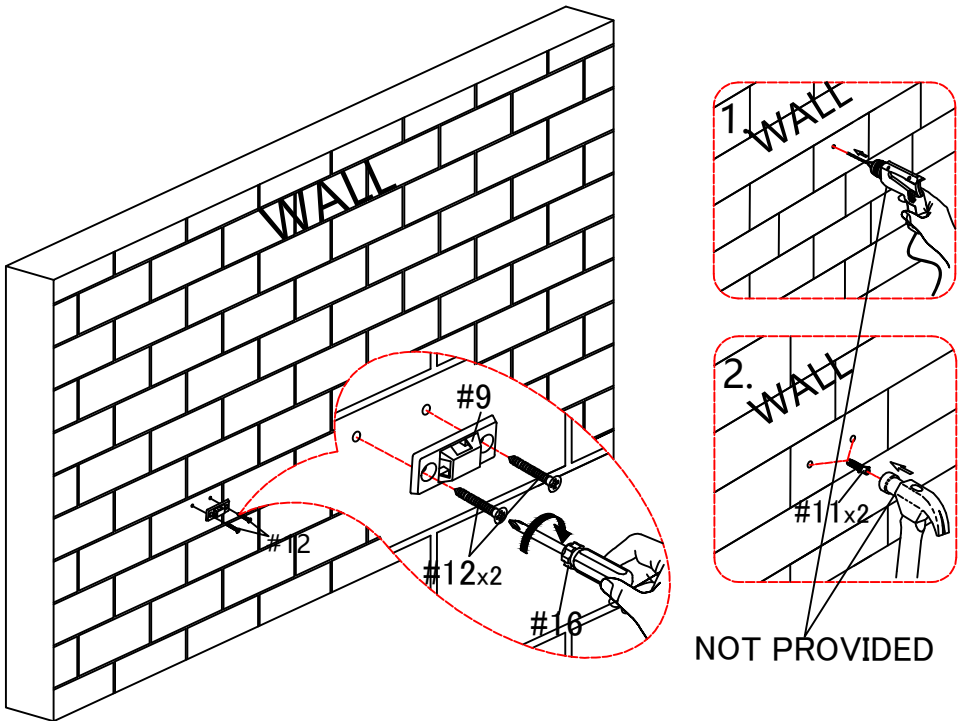


ASSEMBLY INSTRUCTIONS

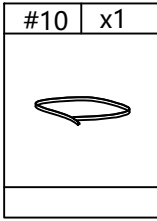
#9	x1	#11	x2	#12	x2	#16	x1
							

STEP-15:

1. Mark the position on the wall, that corresponds to the location of bracket #9 on the face panel (A); Drill and insert the expandable screw #11 by hammer.
2. Assemble the bracket #9 to the wall. Align the hole in the bracket #9 with the expandable screw #11, use screw #12 to attach it, tighten screw #12 with screwdriver #16.

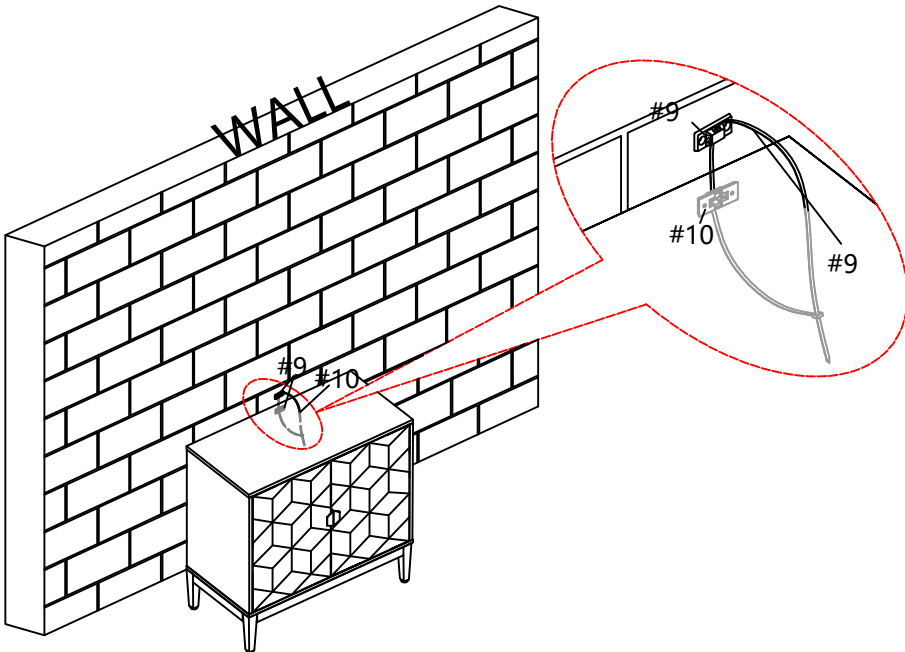
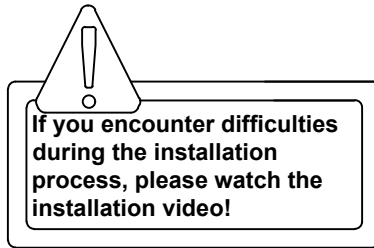


ASSEMBLY INSTRUCTIONS



STEP-16

3. Let the plastic belt #10 pass through bracket #9 and pull tightly.



WARRANTY

1. We strive to offer high-quality products, and we also try our best to satisfy each and every customer that orders from us with product or service as needed.
2. We provide 30 days warranty starting from the time you receive the item. Each customer must provide a record of their order such as the order number, or item receipt for any items that are out of the warranty period you may also still receive.
3. Replacement parts by purchasing them with our company if they are available.

Are you having difficulty
With assembly? Missing parts?
Please send email with your order No to
customerservice@hulalahome.com
For return, please check the return policy with
the retailer or market place you bought from.

Appreciate your purchasing from us.
Pop up your life by our furniture piece!