

HULALA

H O M E

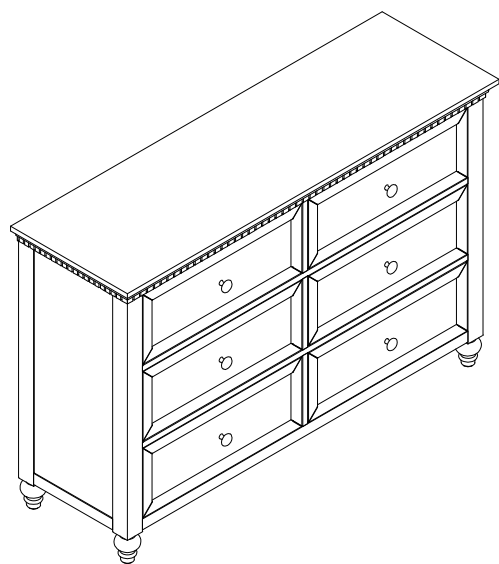


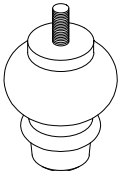
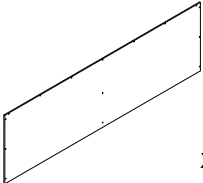
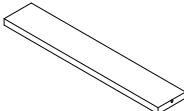

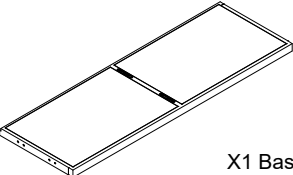
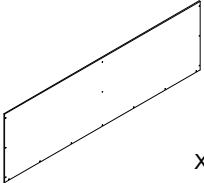
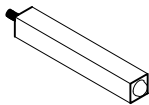

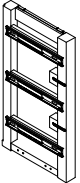
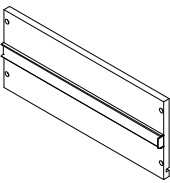


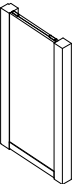
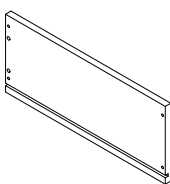
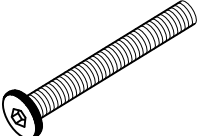
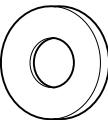
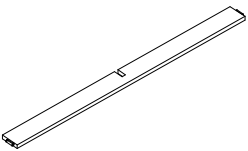
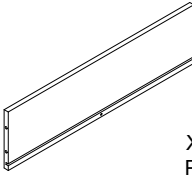
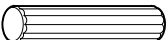

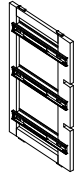
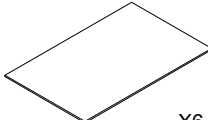
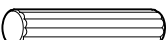

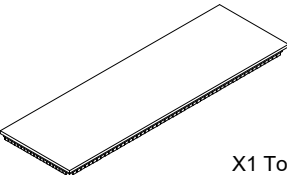
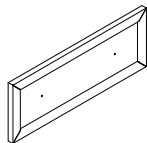

ITEM NO: SCSY0752

NOTE:

This brochure contains **IMPORTANT** safty info. Please read and keep for future reference

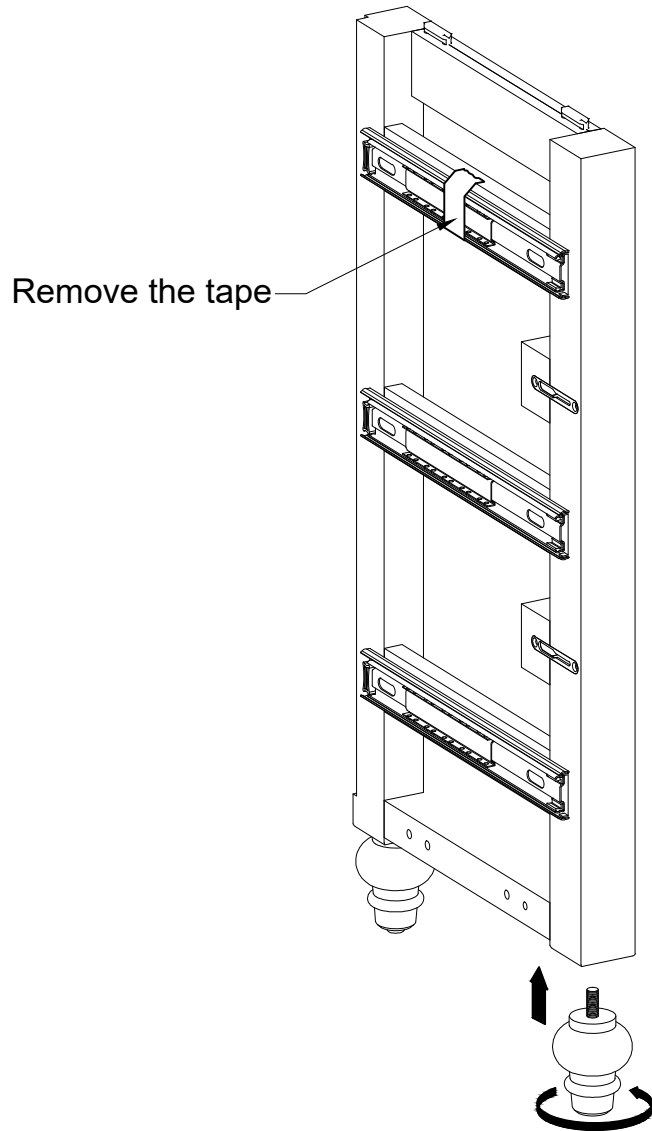
CHRISTOBAL 54" WIDE 6 DRAWER DRESSER



 X4 Leg	 X1 Back Panel 1	 X6 Drawer Support	 X30 Screw F4 * 15mm
 X1 Base Panel	 X1 Back Panel 2	 X1 Leg Support	 X6 Bolt 5/32" * 7/8"
 X1 Left Side Panel	 X6 Drawer Left Side Panel	 X1 Allen Key	 X4 Flat Washers Ø1/4" * Ø10mm
 X1 Right Side Panel	 X6 Drawer Right Side Panel	 X4 Allen Bolt 1/4" * 1-1/2"	 X4 Spring Washers Ø1/4" * Ø19mm
 X2 Beams	 X6 Drawer Back Panel	 X24 Dowel Ø6 * 30mm	 X6 Handle
 X1 Center Panel	 X6 Drawer Bottom Panel	 X4 Dowel Ø8 * 30mm	 X2 Tipping Restraint Hardware Kit
 X1 Top Panel	 X6 Drawer Front Panel	 X60 Screw F4 * 25mm	

* Please remove the tape before assembling.

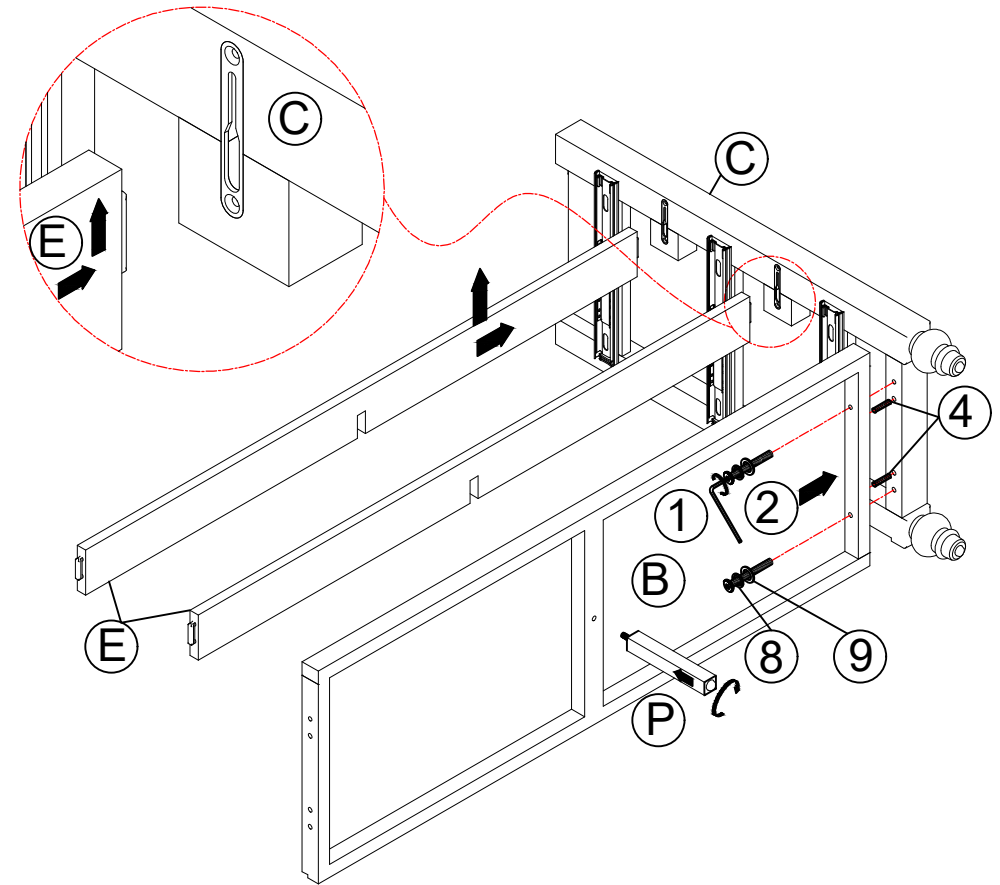
Step 1. Attach the legs (A) to the side panel (C,D) by rotate legs clockwise



Step 2A. Attach the the base (B) to the left side panel (C) using allen bolt (2), flat washers (8), spring washers (9), dowel (4) and allen key (1)

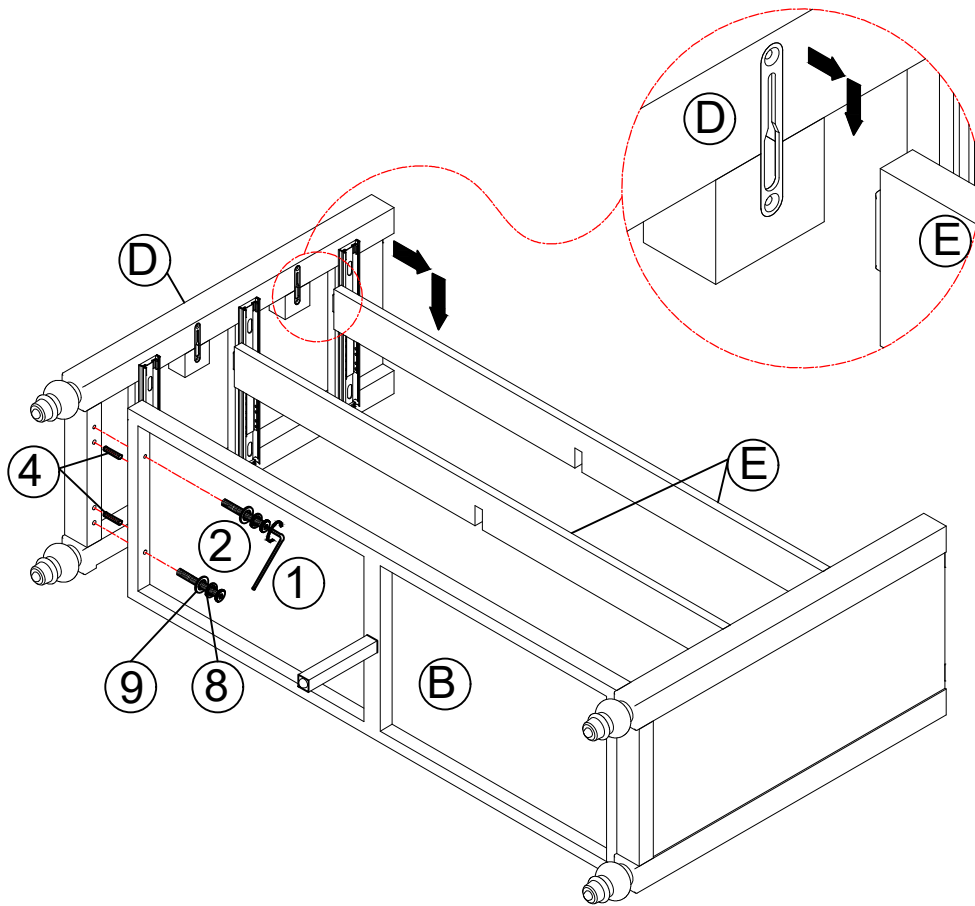
Step 2B. Attach the beams (E) to the left side panel (C) by placing the plastic pieces in the slots and sliding the beams (E) forward.

Step 2C. Attach the leg support (P) to the base (B) by rotate leg support clockwise



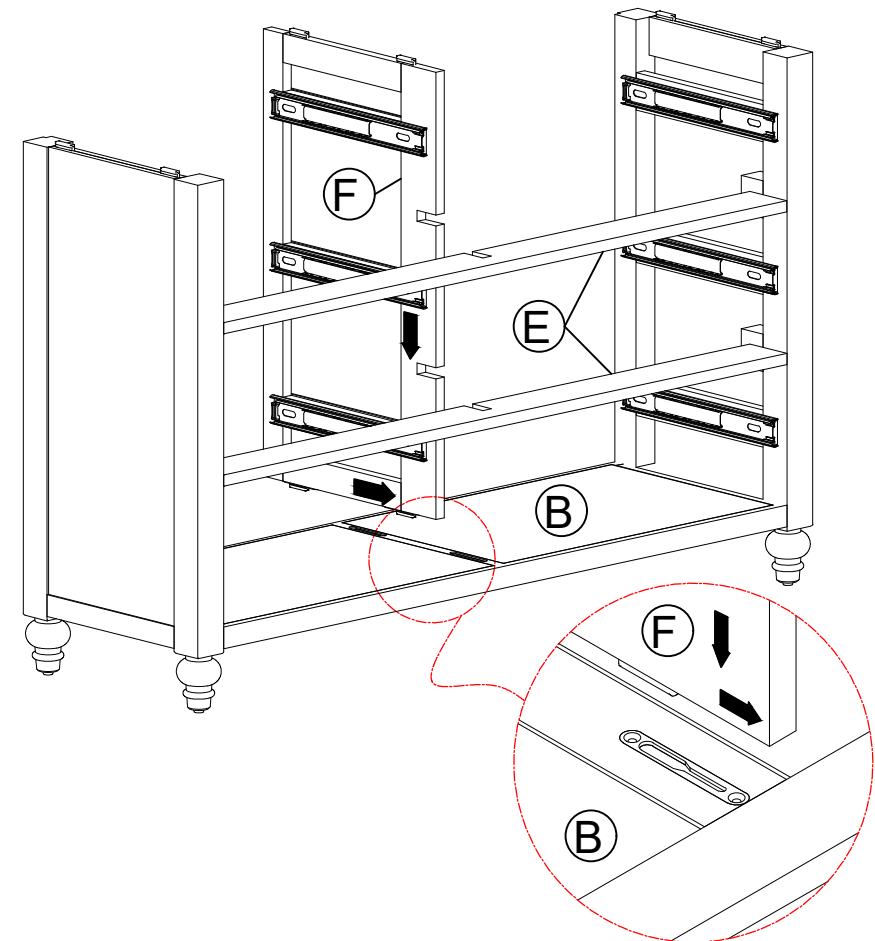
Step 3A. Attach the right side panel (D) to the beams (E) by placing the plastic pieces in the slots and sliding the right side panel (D) backwards.

Step 3B. Attach the right side panel (D) to the base (B) using allen bolt (2), flat washers (8), spring washers (9), dowel (4) and allen key (1)

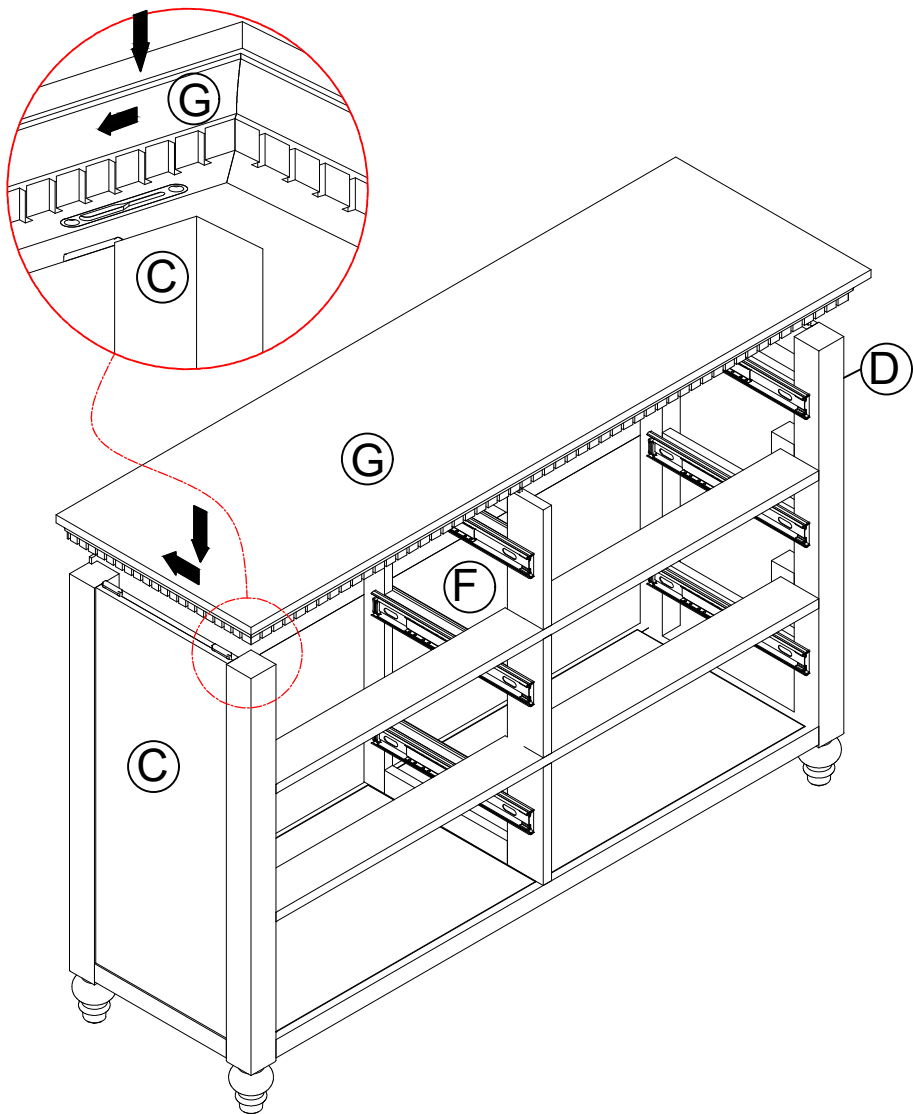


Step 4.A. Attach the center panel (F) to the base panel (B) by placing the plastic pieces in the slots and sliding the center panel (F) forward.

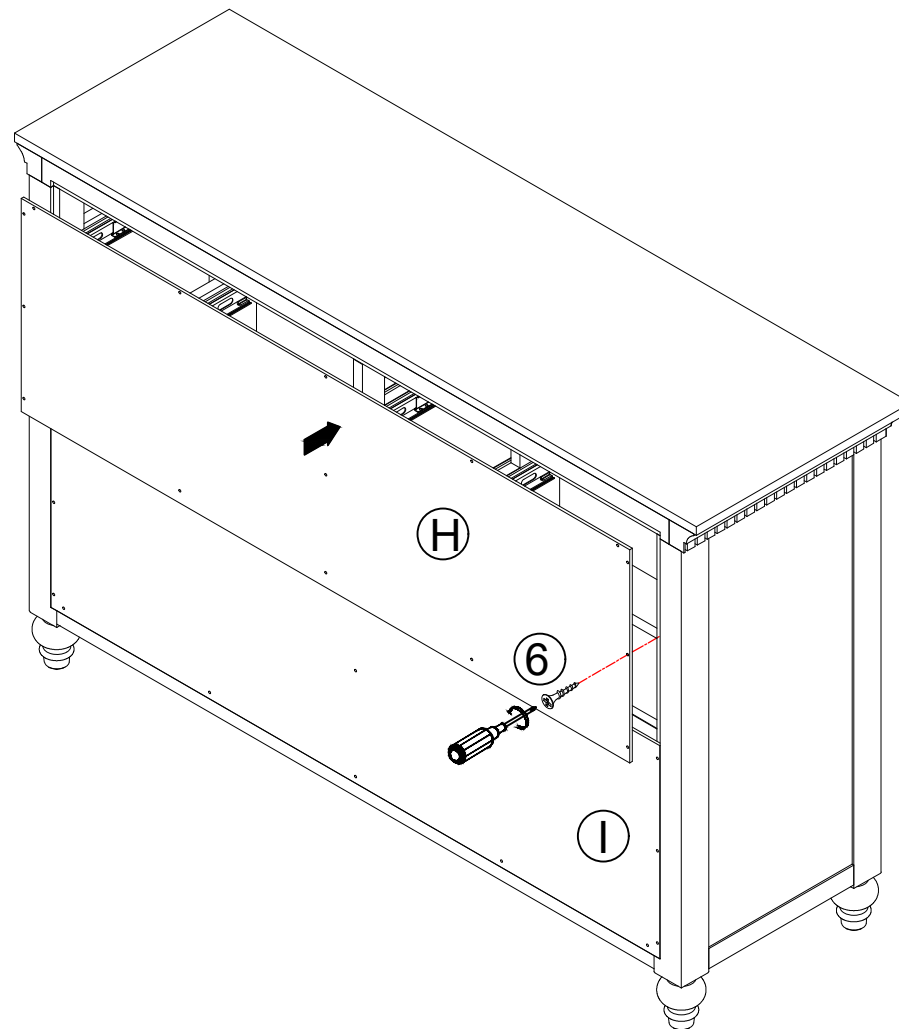
Step 4.B. Attach the center panel (F) to the beam (E) by moving the center panel (F) into the slots of the beam (E)



Step 5. Attach the top panel (G) to side panel (C,D) and center panel (F) by placing the plastic pieces in the slots and sliding the top panel (G) backwards.



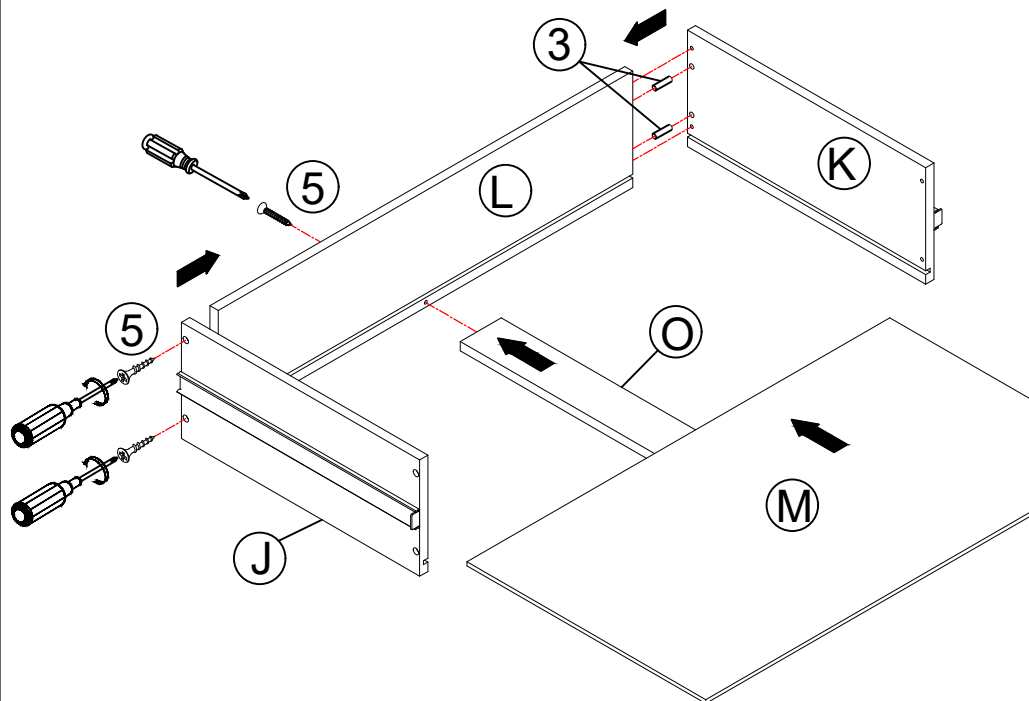
Step 6. Attach the back panel (I,H) to cabinet using the screw (6) and Phillips screwdriver



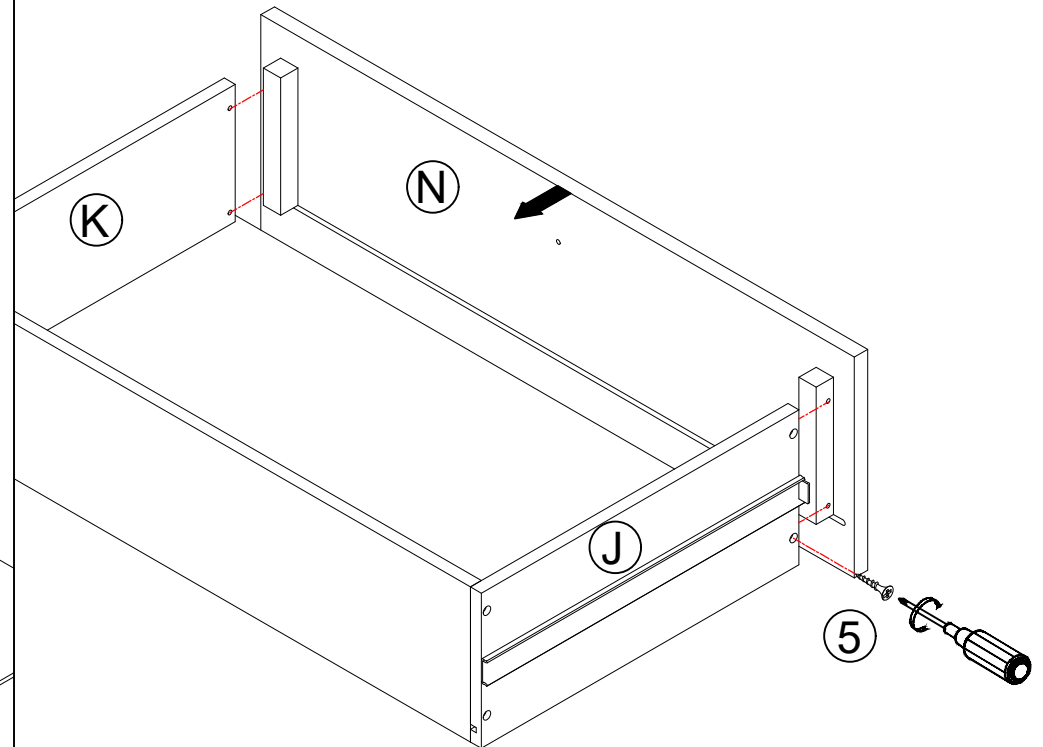
Step 7 . Attach the drawer right side panel (J) and drawer left side panel (K) to the drawer back panel (L) using the dowel (3) , screw (5) and Phillips screwdriver.

Then slide the drawer bottom panel (M) into the grooves of the side panels.

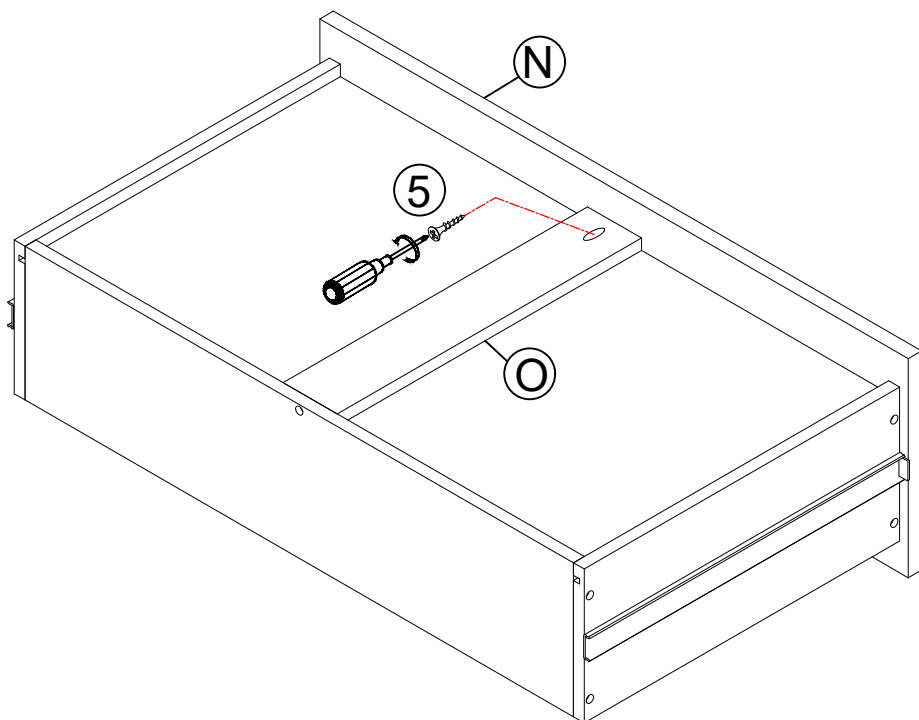
Step 8 . Attach the drawer support (O) to the drawer back panel (L) using the screw (5) and Phillips screwdriver.



Step 9. Attach the drawer front panel (N) to the drawer sides (K,J) using the screw (5) and Phillips screwdriver

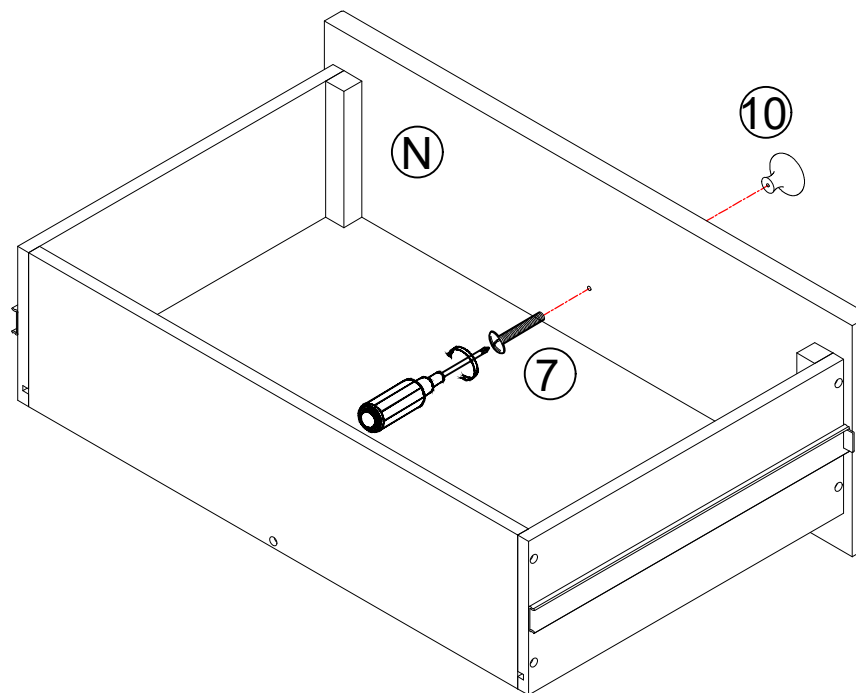


Step 10. Attach the drawer support (T) to the drawer front panel 2 (R) using the screw (5) and Phillips screwdriver.



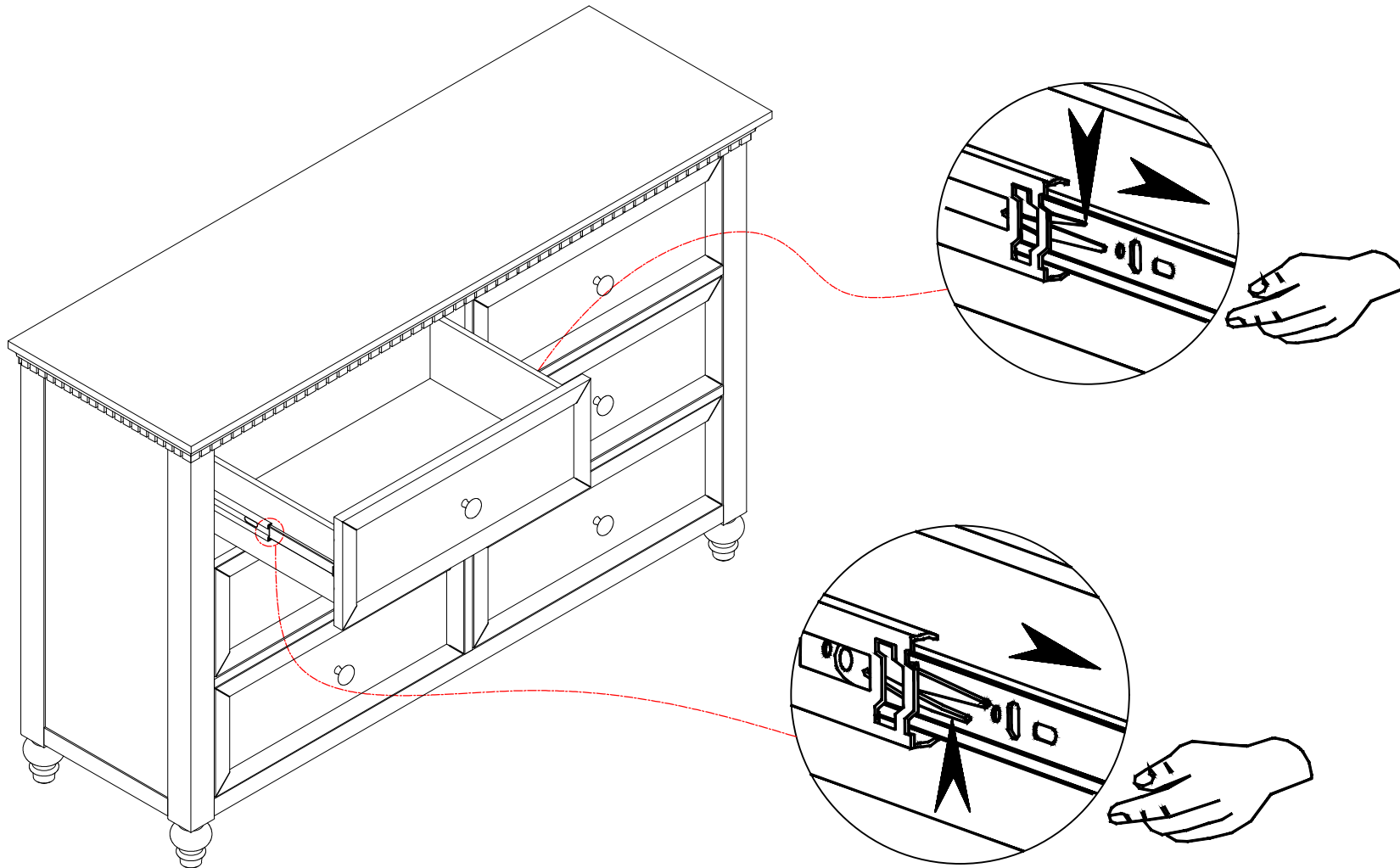
Step 11. Attach the handle (10) to the drawer front panel (N) using the bolt (7) and Phillips screwdriver

Repeat steps 7-11 for the six large drawers.



Step 12. Place the drawers into the dresser frame on the metal tracks and slowly work the drawers into place until fully closed.

To remove the drawers, use the lever release. Pull the drawer out as far as possible, and you'll see a plastic lever on each side. Pull one lever up and push the other down



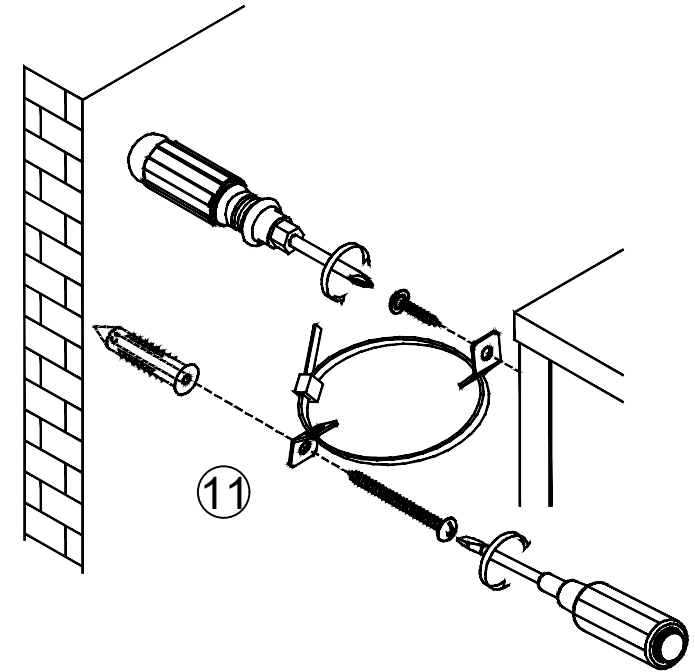
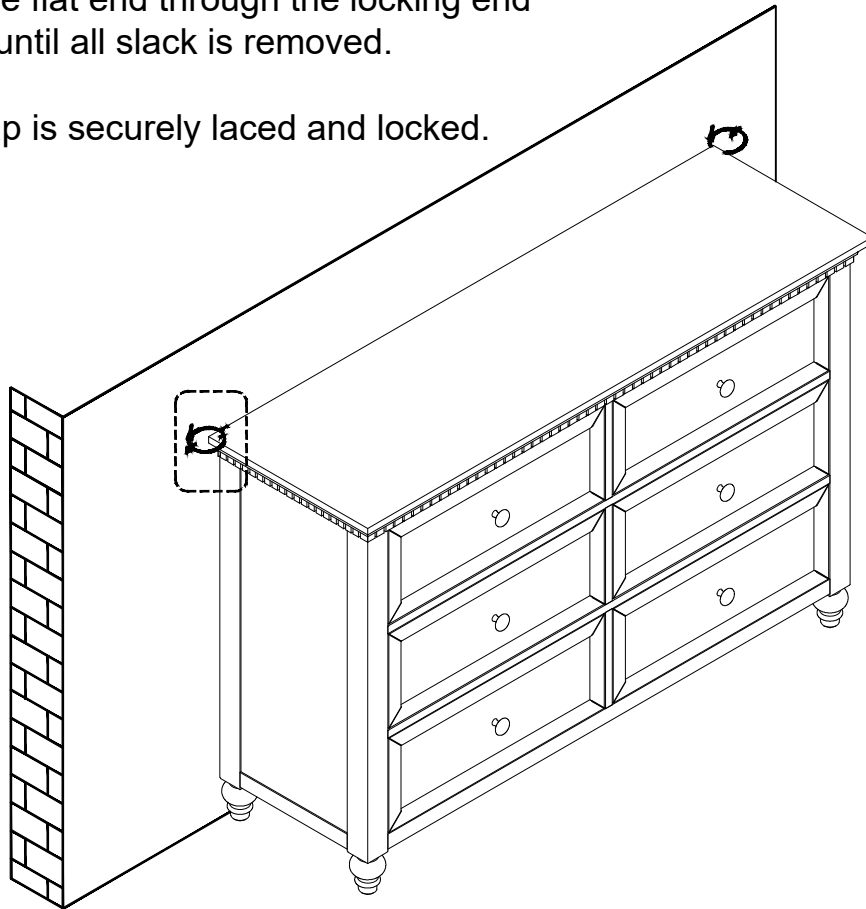
Step 13. Attach a bracket securely to the back top rail of the dresser using the 5/8" screw provided, through the smaller hole.

Locate the other bracket on the wall over a wall stud and 2 inches below the mounting bracket secured to the back of your unit. Attach the wall stud using the 2" screw provided, through the smaller hole.

Place the dresser into position so both mounting brackets are vertically inline.

Lace the end of the restraint strap through the larger hole in each mounting bracket. Bring both ends together and slice the flat end through the locking end and draw it through until all slack is removed.

Confirm that the strap is securely laced and locked.



WARRANTY

We' re committed to designing beautiful modern furniture that complements a variety of décor styles and tastes using the highest quality materials and fabrics. Our Manufacturer' s warranty covers defects in materials and workmanship for 30days from the products date of delivery. Please email us your order No and contact information to located your order if you need any help. Enjoying your HULALA furniture.

Are you having difficulty
with assembly? Missing parts?
Please send email with your order No
customerservice@hulalahome.com

For return, Please check the return policy with the retailer or MarketPlace you bought from.

Appreciated your purchasing from us.
Pop up your life by our furniture piece!