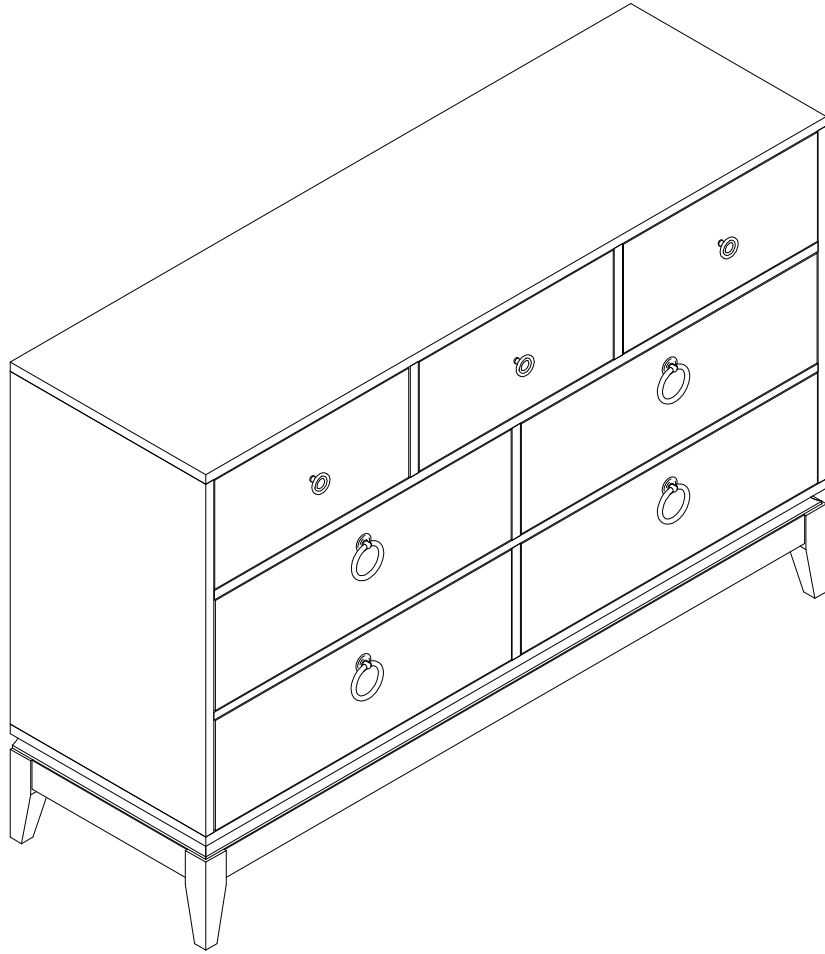


# HULALA

H O M E

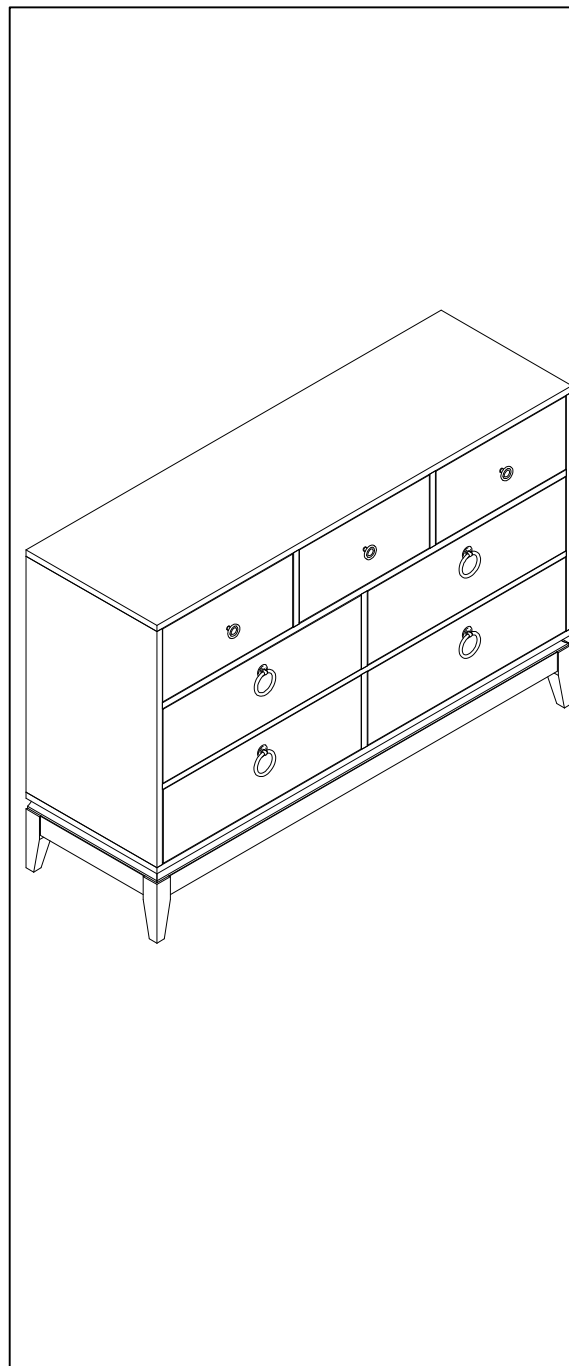



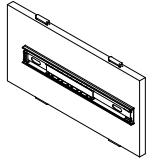
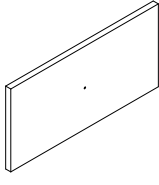
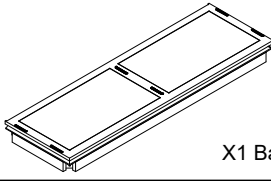
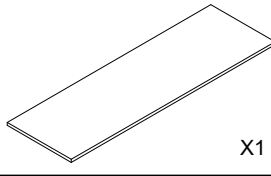
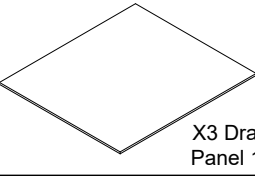

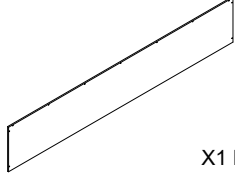
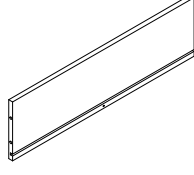

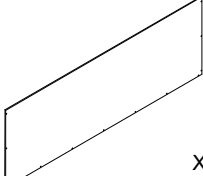
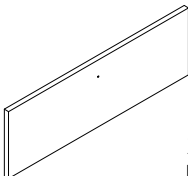
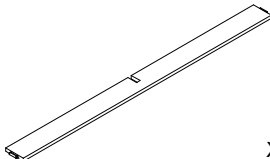
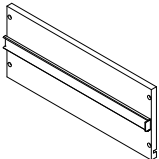
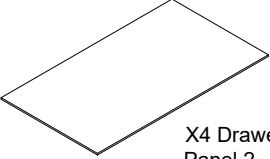
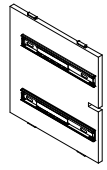
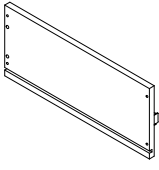
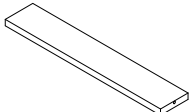
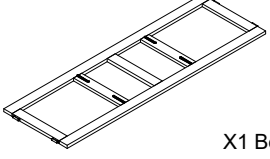
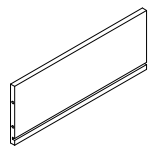
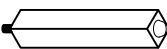
**ITEM NO : SCSY0753**

**NOTE:**

This brochure contains IMPORTANT safty info. Please read and keep for future reference

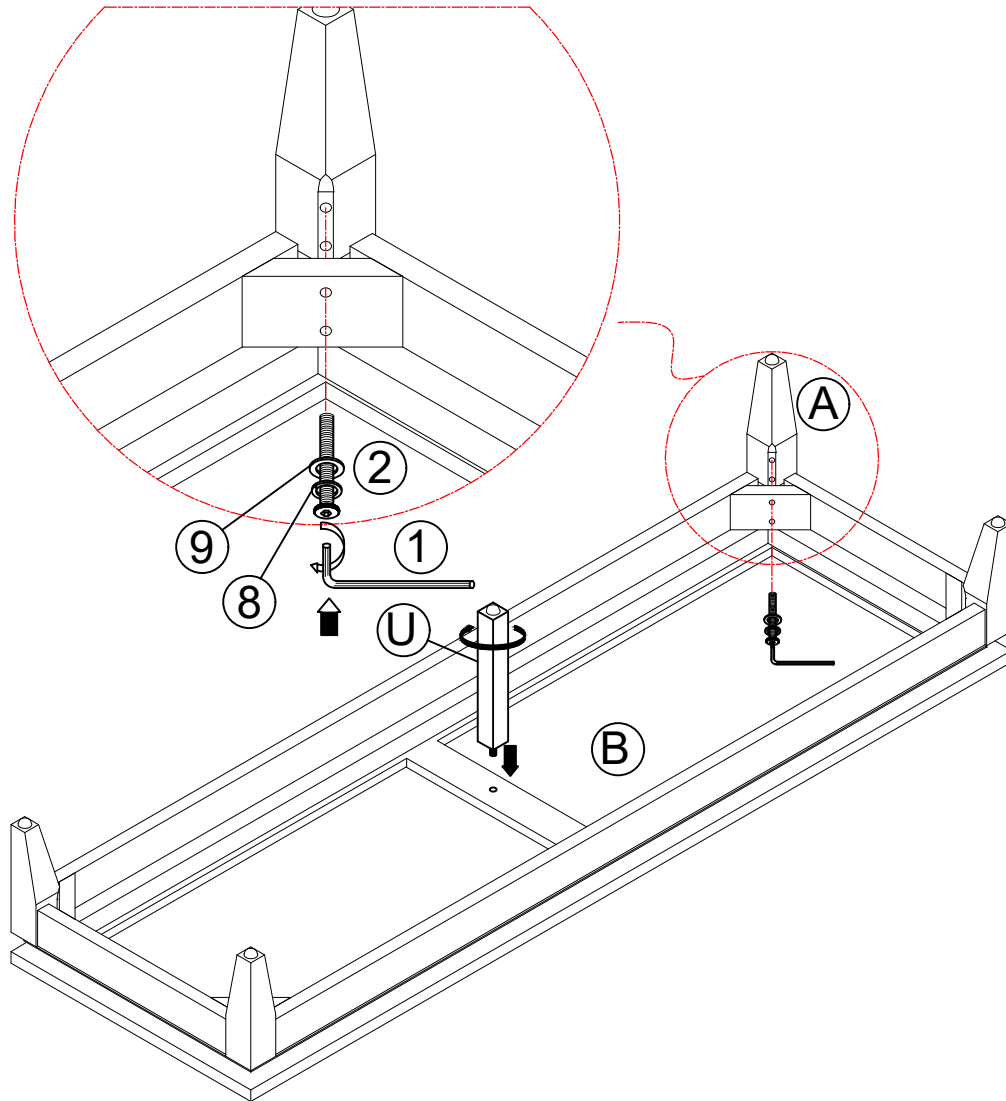
# EDUARD 54" WIDE 7 DRAWER DRESSER



 <p><b>A</b> X4 Leg</p>	 <p><b>H</b> X2 Center Panel 2</p>	 <p><b>O</b> X3 Drawer Front Panel 1</p>	<p><b>1</b> X1 Allen Key</p> <p><b>2</b> X8 Allen Bolt 1/4" * 2-1/2"</p>
 <p><b>B</b> X1 Base Panel</p>	 <p><b>I</b> X1 Top Panel</p>	 <p><b>P</b> X3 Drawer Bottom Panel 1</p>	<p><b>3</b> 28 Dowel Ø6 * 30mm</p> <p><b>4</b> X28 Screw F3 * 15mm</p>
 <p><b>C</b> X1 Right Side Panel</p>	 <p><b>J</b> X1 Back Panel 1</p>	 <p><b>Q</b> X4 Drawer Back Panel 2</p>	<p><b>5</b> X64 Screw F4 * 25mm</p> <p><b>6</b> X4 Bolt 5/32" * 15mm</p>
 <p><b>D</b> X1 Left Side Panel</p>	 <p><b>K</b> X1 Back Panel 2</p>	 <p><b>R</b> X4 Drawer Front Panel 2</p>	<p><b>7</b> X3 Bolt 5/32" * 22mm</p> <p><b>8</b> X8 Flat Washers Ø1/4" * Ø10mm</p>
 <p><b>E</b> X1 Beam 1</p>	 <p><b>L</b> X7 Drawer Left Side Panel</p>	 <p><b>S</b> X4 Drawer Bottom Panel 2</p>	<p><b>9</b> X8 Spring Washers Ø1/4" * Ø19mm</p> <p><b>10</b> X3 Handle 1</p>
 <p><b>F</b> X1 Center Panel 1</p>	 <p><b>M</b> X7 Drawer Right Side Panel</p>	 <p><b>T</b> X4 Drawer Support</p>	<p><b>11</b> X4 Handle 2</p>
 <p><b>G</b> X1 Beam Panel</p>	 <p><b>N</b> X3 Drawer Back Panel 1</p>	 <p><b>U</b> X1 Leg Support</p>	<p><b>12</b> X2 Tipping Restraint Hardware Kit</p>

Step 1A. Attach the legs (A) to the base panel (B) using Allen bolts (2), Flat washers (8), Spring washers (9) and Allen key (1)

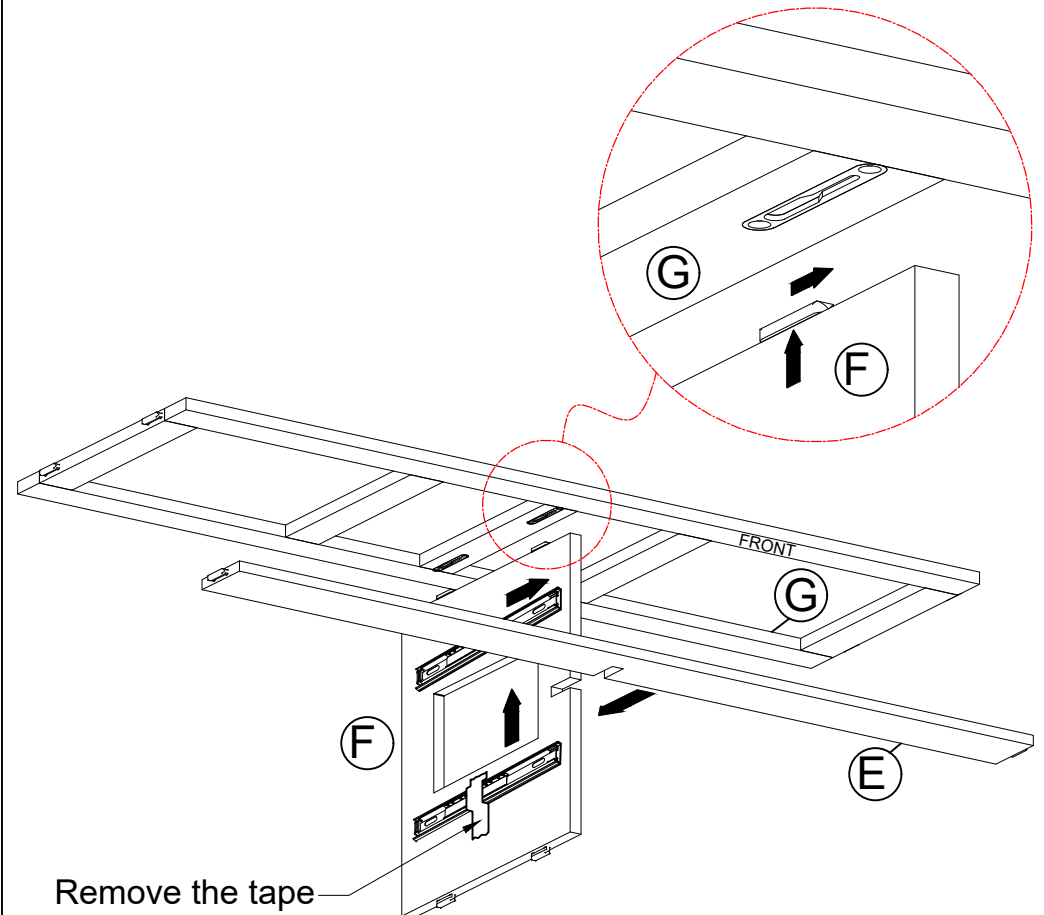
Step 1B. Attach the leg support (U) to the base panel (B) by rotate leg support clockwise



\* Please remove the tape before assembling.

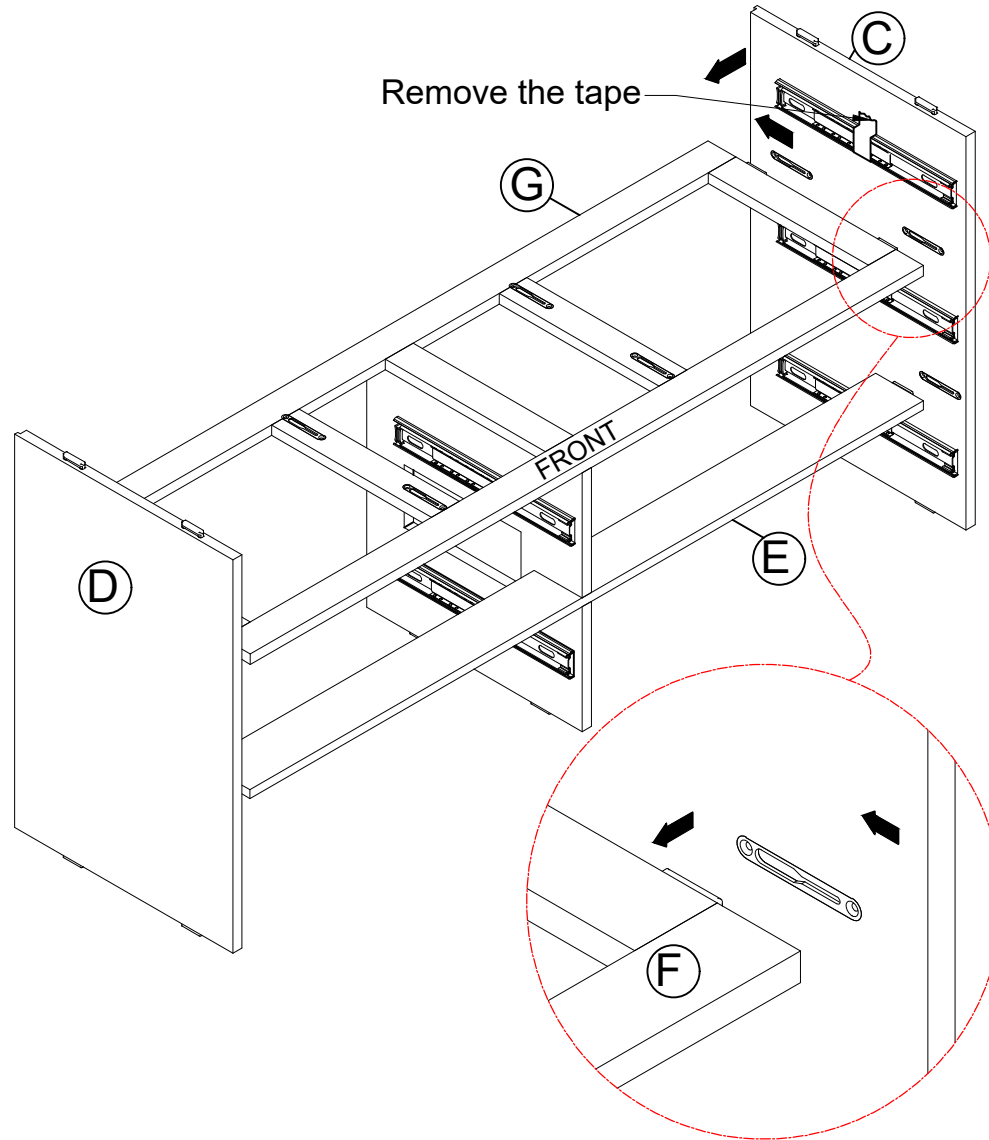
Step 2.A. Attach the center panel 1 (F) to the beam panel (G) by placing the plastic pieces in the slots and sliding the center panel 1 (F) forward.

Step 2.B. Attach the beam 1 (E) to the center panel 1 (F) by moving the beam 1 (E) into the slots of the center panel 1 (F)

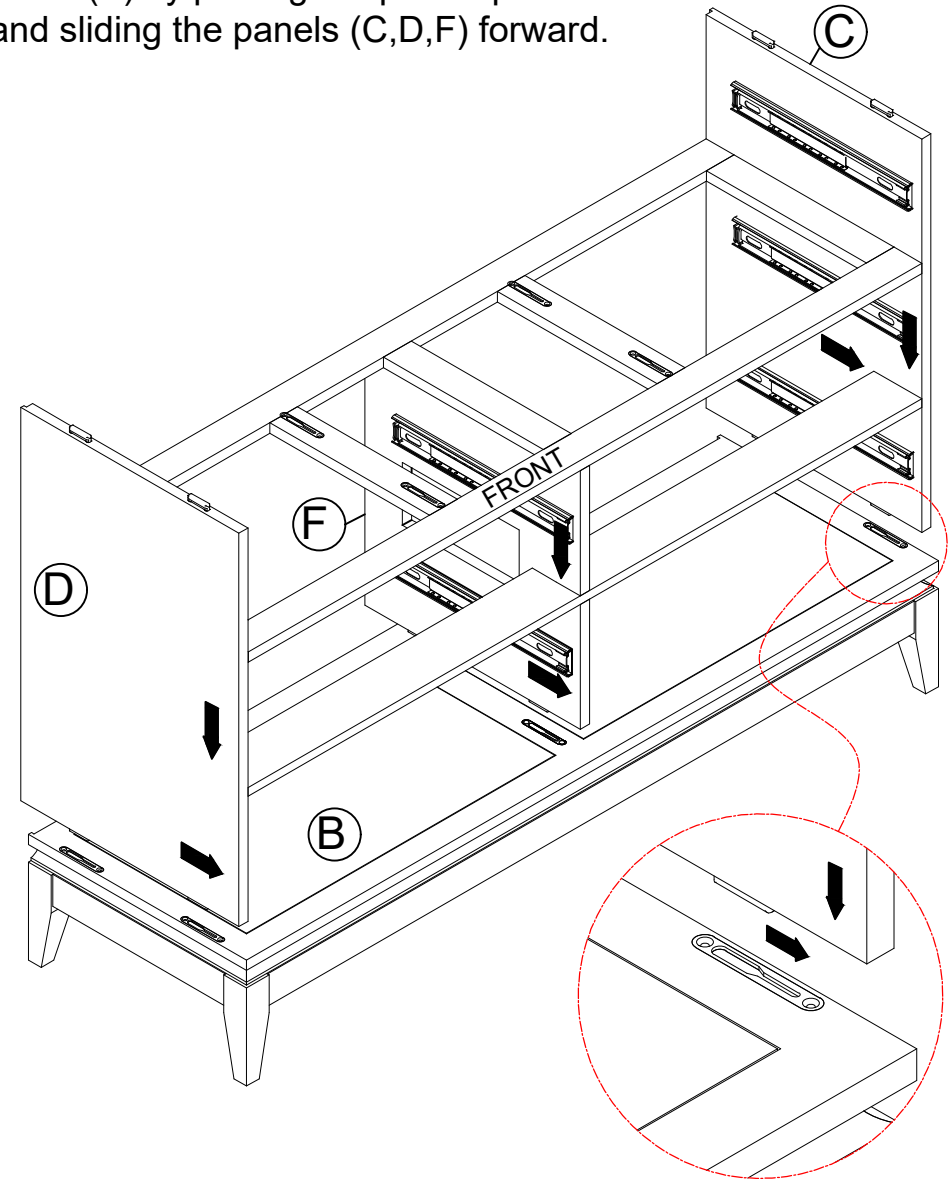


\* Please remove the tape before assembling.

Step 3. Attach the right side panel (C) and left side panel (D) to the beam (E,G) by placing the plastic pieces in the slots and sliding the side panels (C, D) backwards.

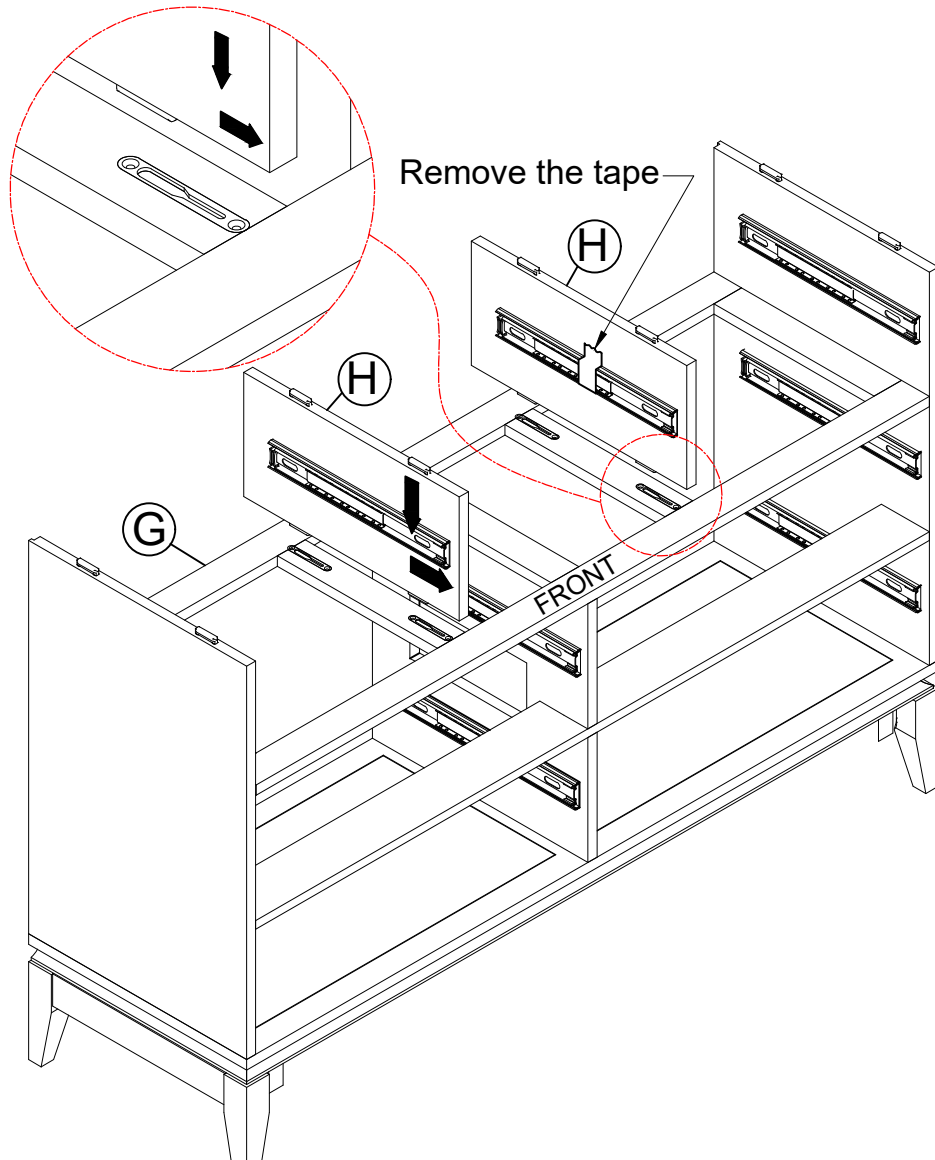


Step 4. Attach the right side panel (C), left side panel (D) and the center panel 1 (F) to the base panel (B) by placing the plastic pieces in the slots and sliding the panels (C,D,F) forward.

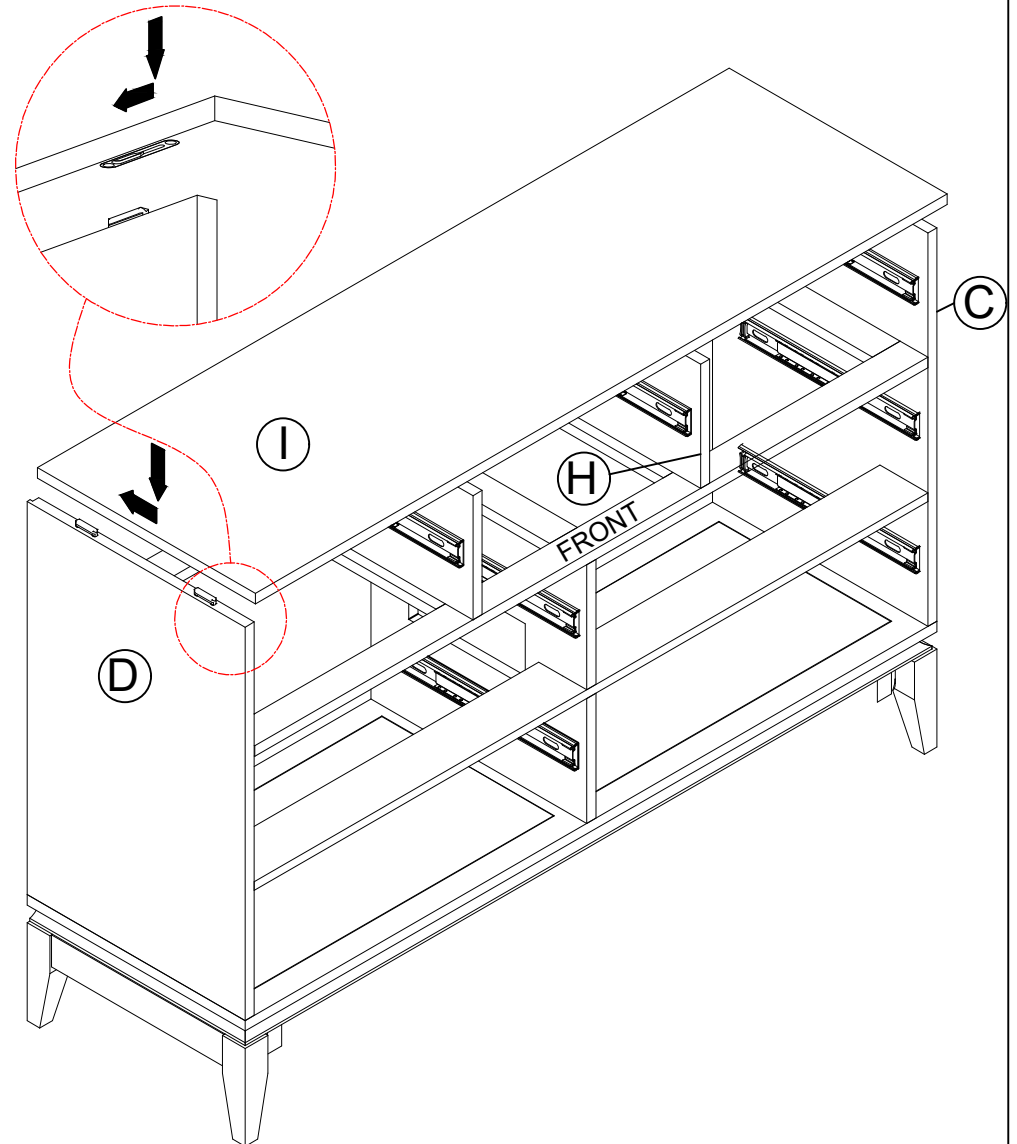


\* Please remove the tape before assembling.

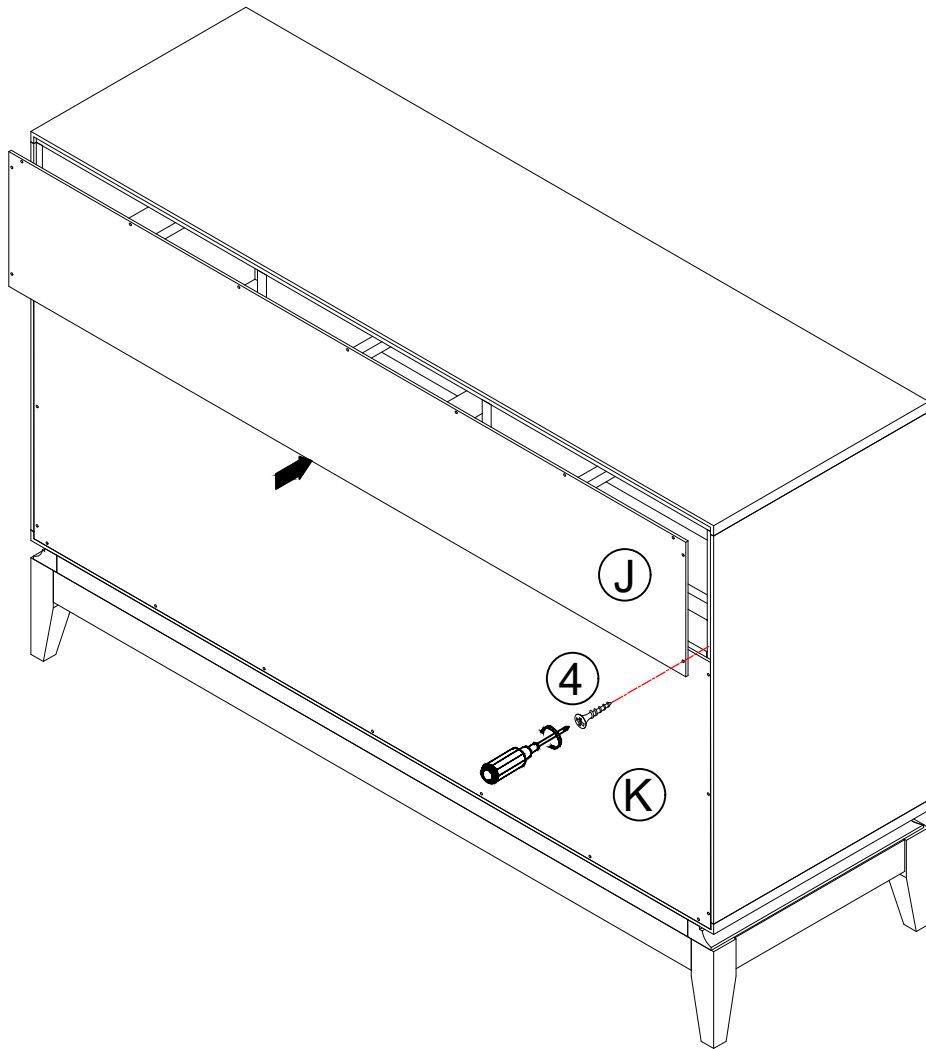
Step 5. Attach the center panels 2 (H) to the beam panel (G) by placing the plastic pieces in the slots and sliding the center panels 2 (H) forward.



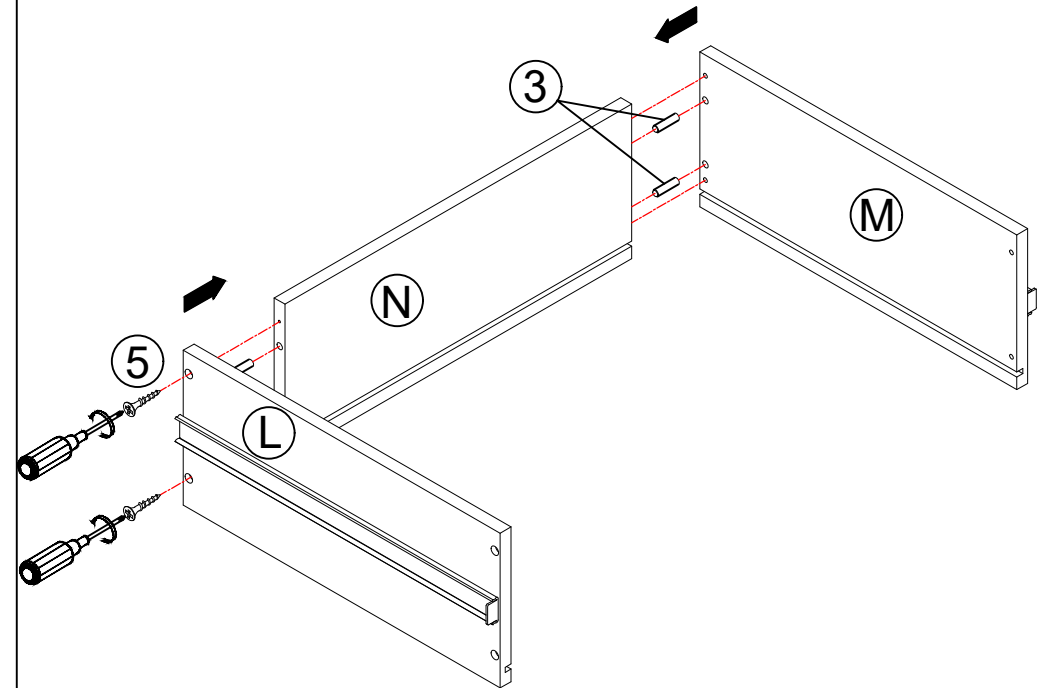
Step 6. Attach the top panel (I) to side panel (C,D) and center panels 2 (H) by placing the plastic pieces in the slots and sliding the top panel (I) backwards.



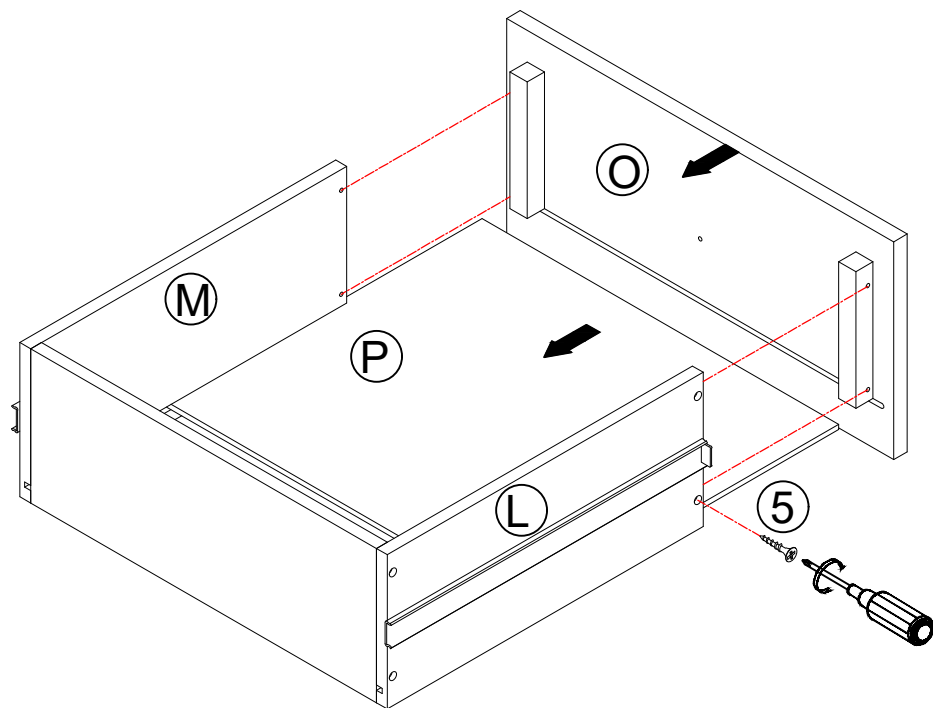
Step 7. Attach the back panel (J,K) to cabinet using the screw (4) and Phillips screwdriver



Step 8. Attach the drawer right side panel (M) and drawer left side panel (L) to the drawer back panel 1 (N) using the dowel (3), screw (5) and Phillips screwdriver

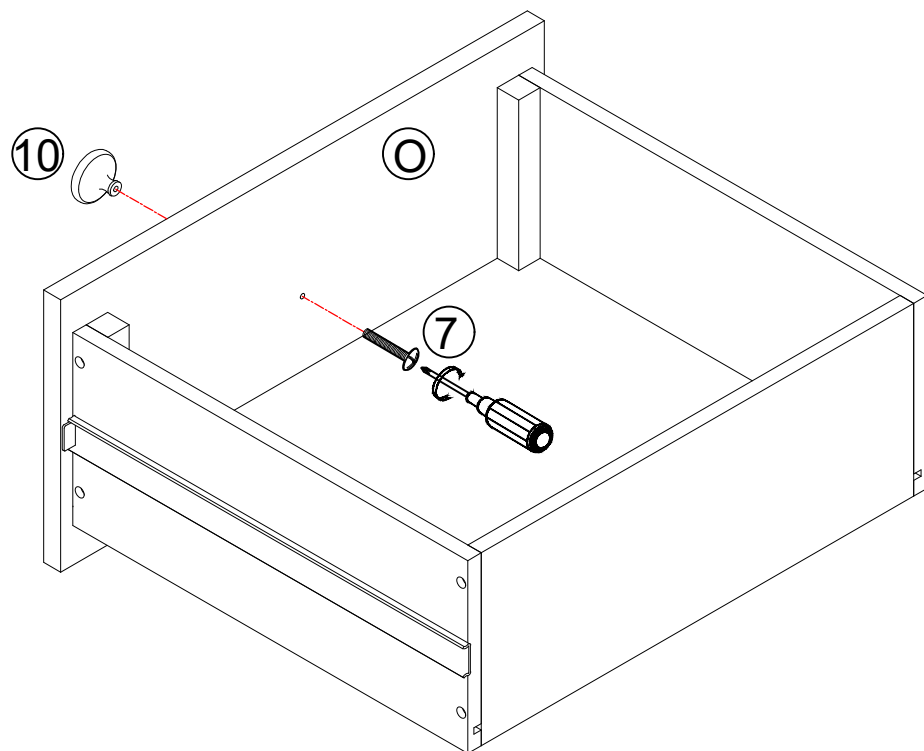


Step 9. Slide the drawer bottom panel 1 (P) into the grooves of the side panels. Then attach the drawer front panel 1 (O) to the drawer sides (L,M) using the screw (5) and Phillips screwdriver



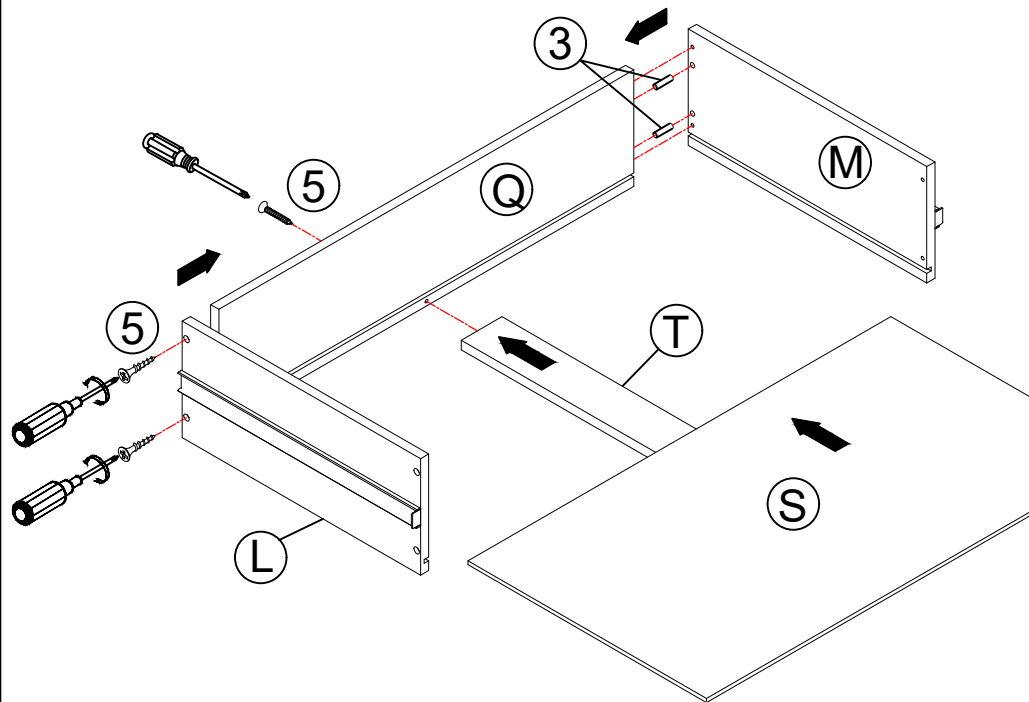
Step 10. Attach the handle 1 (10) to the drawer front panel 1 (O) using the bolt (7) and Phillips screwdriver

Repeat steps 8-10 for three small drawers.

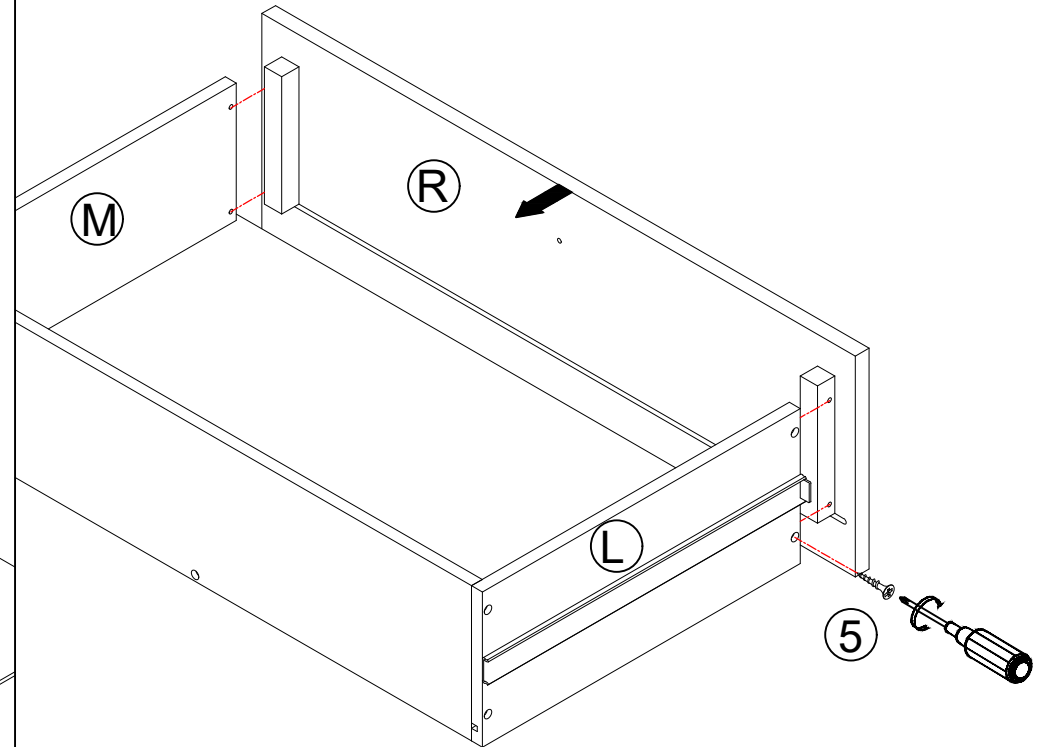


Step 11 . Attach the drawer right side panel (M) and drawer left side panel (L) to the drawer back panel 2 (Q) using the dowel (3) , screw (5) and Phillips screwdriver.  
Then slide the drawer bottom panel 2 (S) into the grooves of the side panels.

Step 12 . Attach the drawer support (T) to the drawer back panel 2 (Q) using screw (5) and Phillips screwdriver.

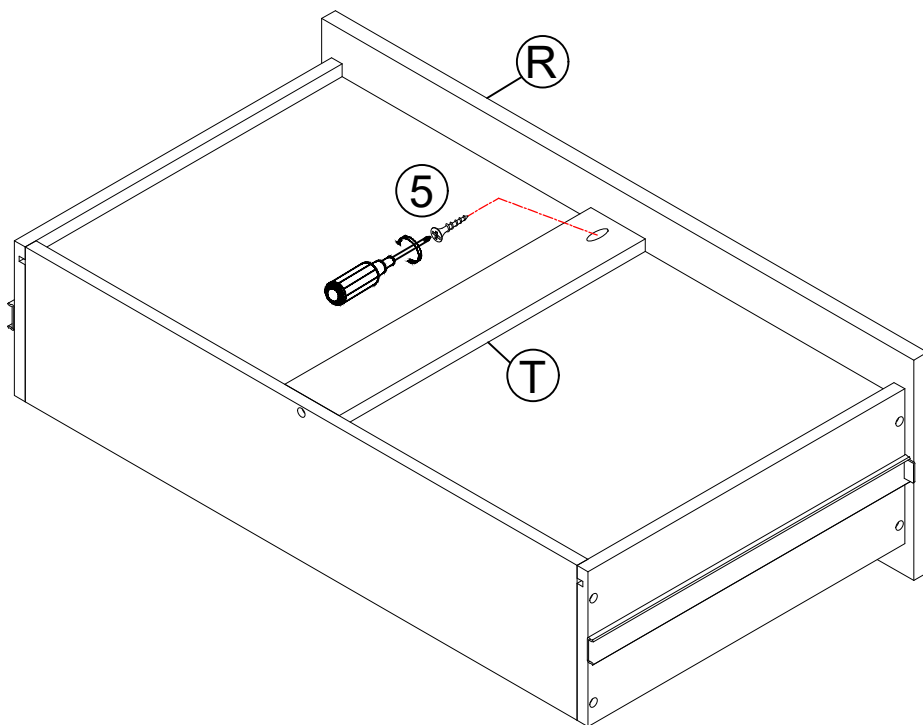


Step 13. Attach the drawer front panel 2 (R) to the drawer sides (L,M) using the screw (5) and Phillips screwdriver



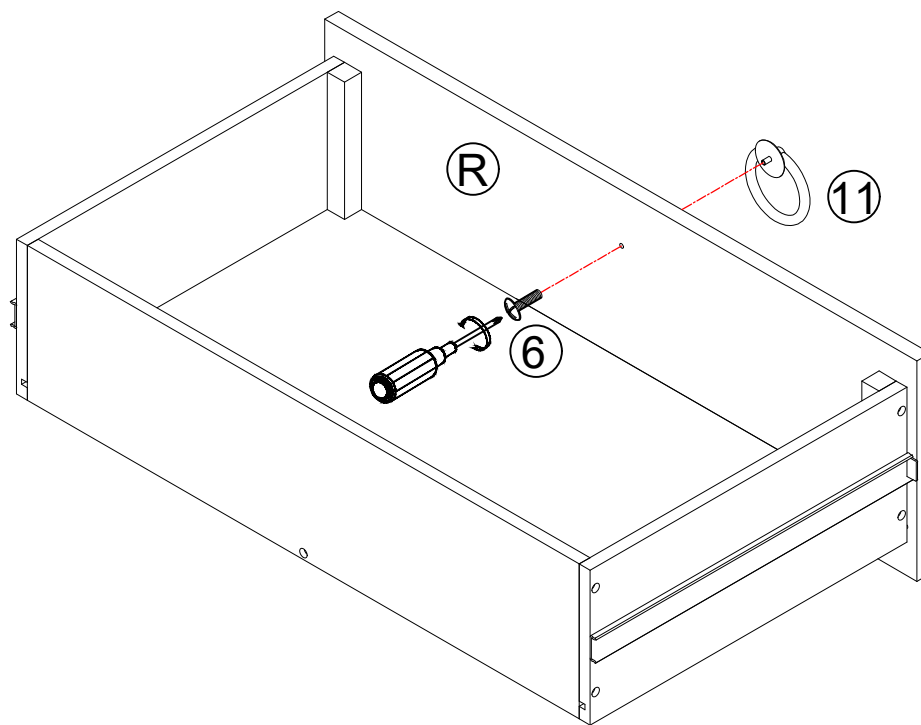


Step 14. Attach the drawer support (T) to the drawer front panel 2 (R) using the screw (5) and Phillips screwdriver.



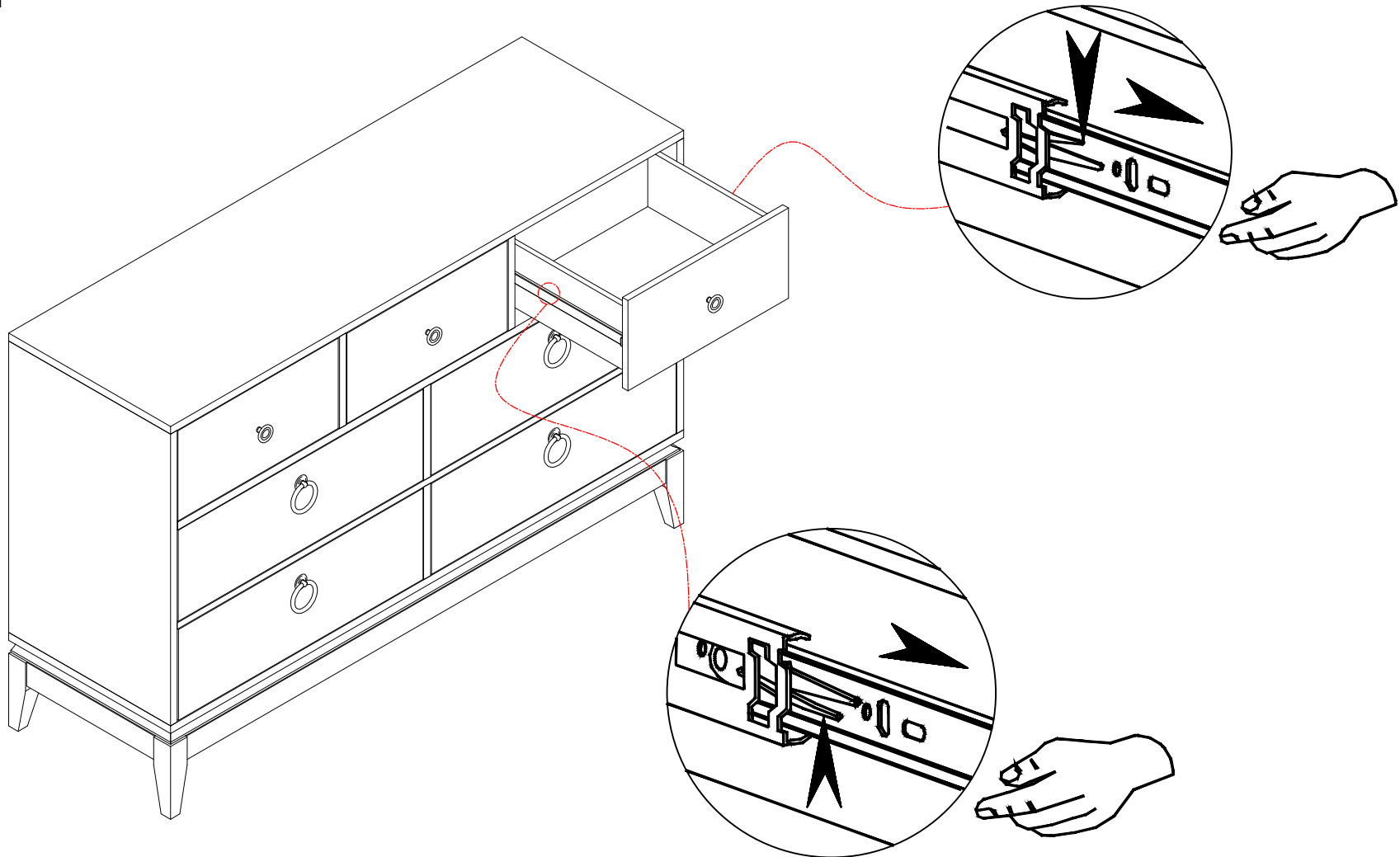
Step 15. Attach the handle 2 (11) to the drawer front panel 2 (R) using the bolt (6) and Phillips screwdriver

Repeat steps 11-15 for the four large drawers.



Step 16. Place the drawers into the dresser frame on the metal tracks and slowly work the drawers into place until fully closed.

To remove the drawers, use the lever release. Pull the drawer out as far as possible, and you'll see a plastic lever on each side. Pull one lever up and push the other down



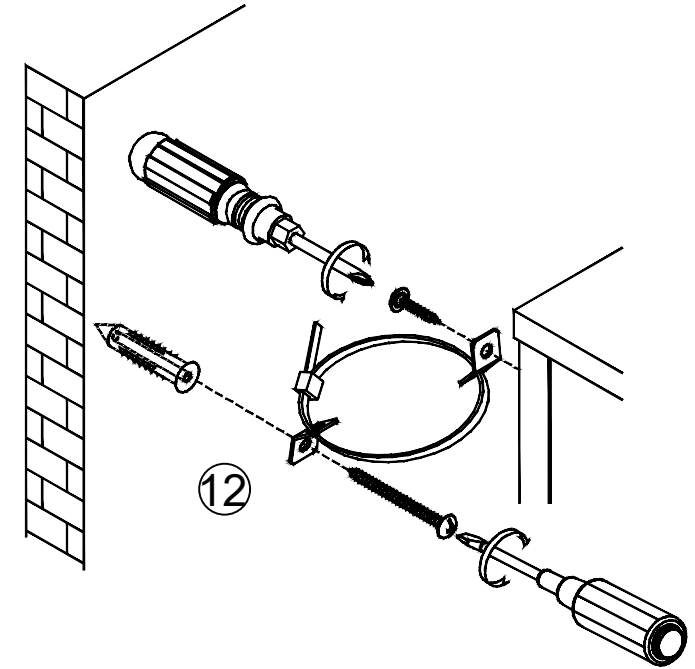
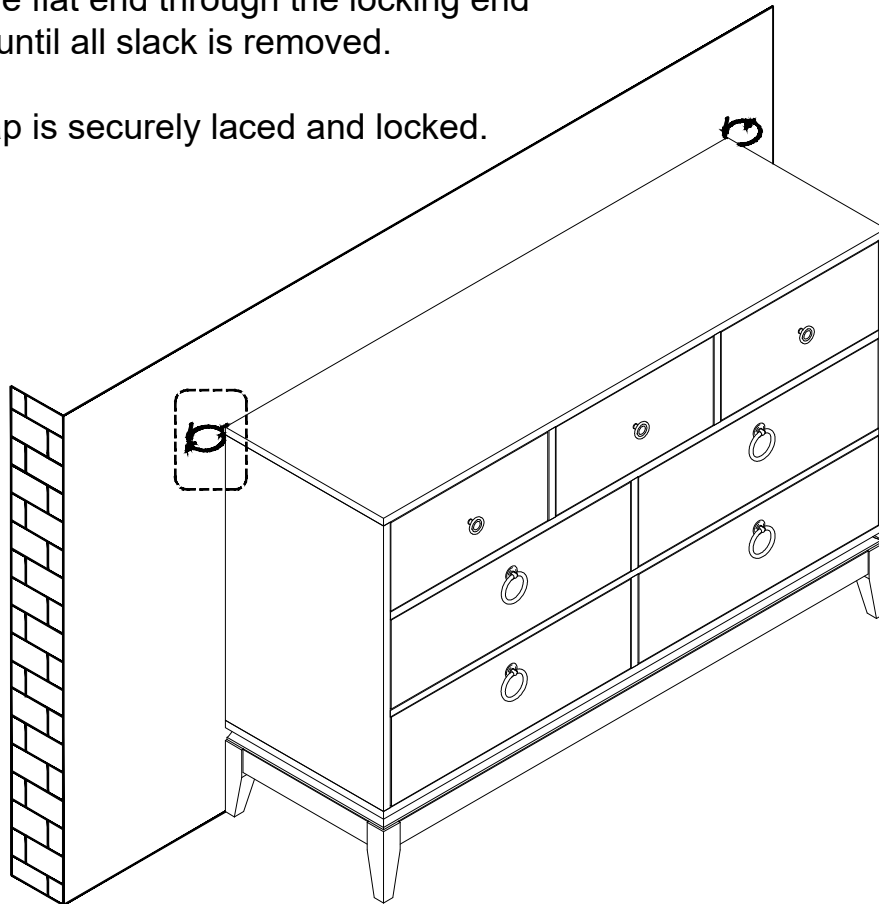
Step 17. Attach a bracket securely to the back top rail of the dresser using the 5/8" screw provided, through the smaller hole.

Locate the other bracket on the wall over a wall stud and 2 inches below the mounting bracket secured to the back of your unit. Attach the wall stud using the 2" screw provided, through the smaller hole.

Place the dresser into position so both mounting brackets are vertically inline.

Lace the end of the restraint strap through the larger hole in each mounting bracket. Bring both ends together and slice the flat end through the locking end and draw it through until all slack is removed.

Confirm that the strap is securely laced and locked.



# WARRANTY

We' re committed to designing beautiful modern furniture that complements a variety of décor styles and tastes using the highest quality materials and fabrics. Our Manufacturer' s warranty covers defects in materials and workmanship for 30days from the products date of delivery. Please email us your order No and contact information to located your order if you need any help. Enjoying your HULALA furniture.

Are you having difficulty  
with assembly? Missing parts?  
Please send email with your order No  
[customerservice@hulalahome.com](mailto:customerservice@hulalahome.com)

For return, Please check the return policy with the retailer or MarketPlace you bought from.

Appreciated your purchasing from us.  
Pop up your life by our furniture piece!