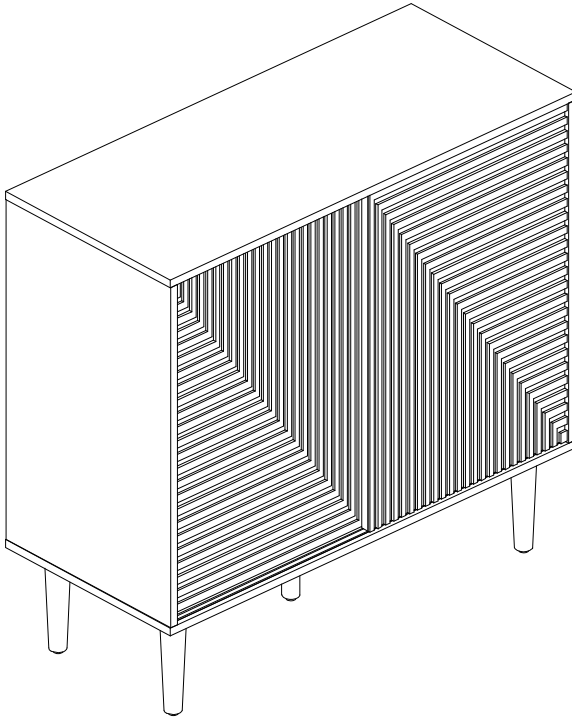


# HULALA

---

H O M E



**ITEM NO.SCYL0972**

---

**NOTE:**

This brochure contains IMPORTANT safety info. Please read and keep for future reference.

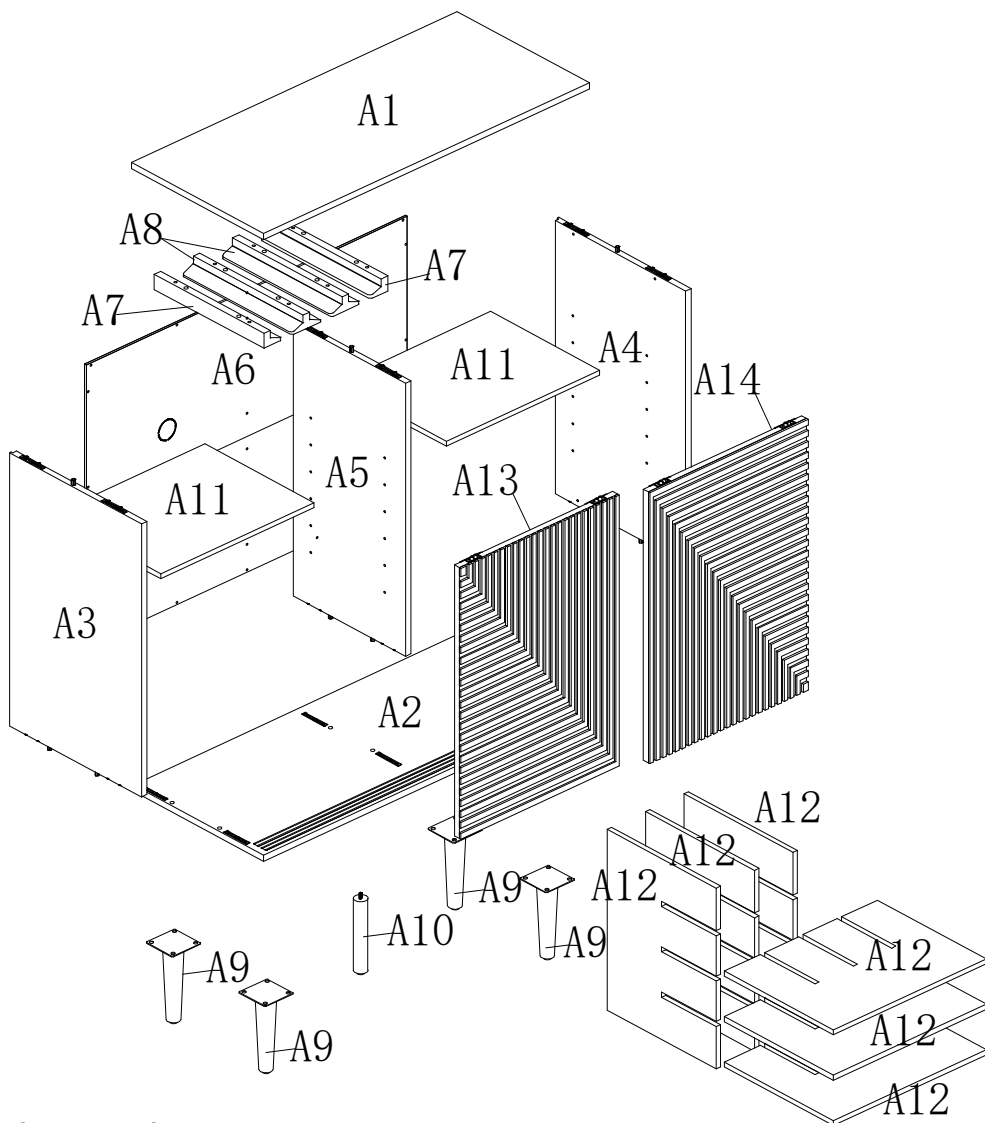
---

# MAINTAINANCE AND WARNING

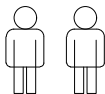
- 1.Keep furniture away from heat sources.
- 2.Do not clean furniture with harsh cleaner or polishes.Do not use detergents,solvents,abrasives,spray packs or leather cleaner. Use non-color mild soa with warm water to clean spills(Mix 1:10 soap to water).
- 3.Do not place furniture under direct sunlight,material will possibly fade over time.
- 4.Do not use on site dry cleaning machine.Children should not climb or jump on the furniture.
- 5.Do not write on furniture that is not protectedby a padded barrier.
- 6.Not for commercial use,only for residential use.



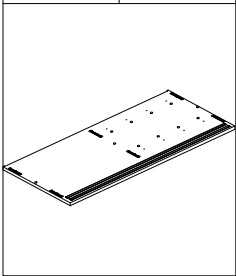
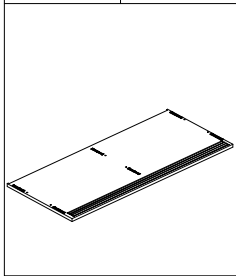
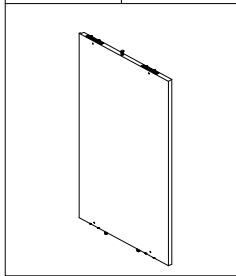
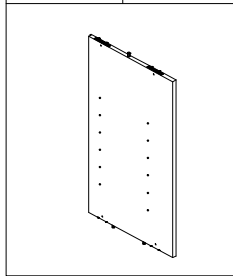
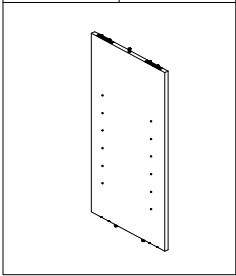
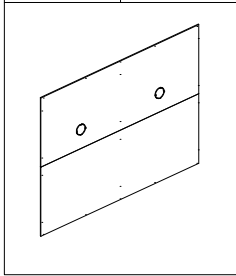
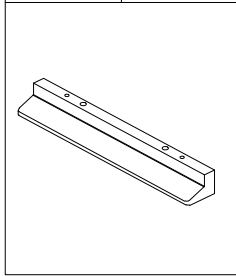
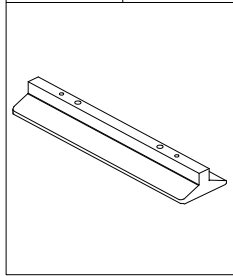
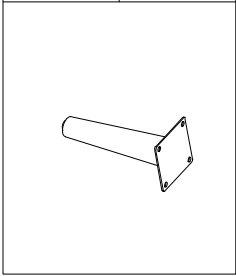
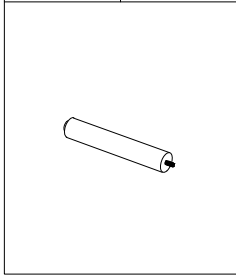
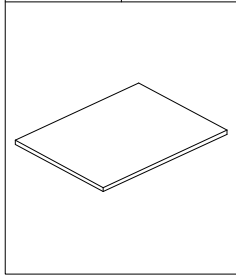
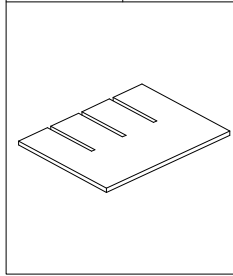
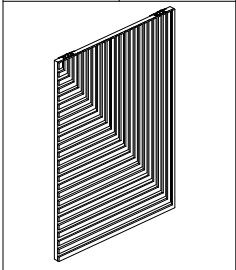
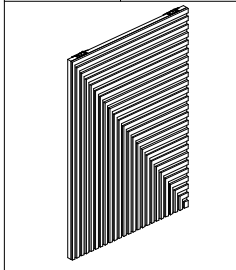
# EXPLOSIVE VIEW







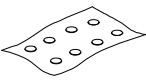








2 PERSONENS



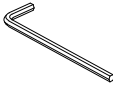
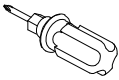
# PARTS LIST 1

<p>A1 x1</p> 	<p>A2 x1</p> 	<p>A3 x1</p> 	<p>A4 x1</p> 
<p>A5 x1</p> 	<p>A6 x1</p> 	<p>A7 x2</p> 	<p>A8 x2</p> 
<p>A9 x4</p> 	<p>A10 x1</p> 	<p>A11 x2</p> 	<p>A12 x6</p> 
<p>A13 x1</p> 	<p>A14 x1</p> 		







# HARDWARE LIST

B1	x16	B2	x8	B3	x8	B4	x22	B5	x1	B6	x16
											
1/4"*5/8"		4MM*1-1/2"		Ø8*30MM		Ø3*15MM				1/4"*12MM	
B7	x16	B8	x32	B9	x4	B10	x4	B11	x4	B12	x4
											
1/4"*16MM								Ø4*20MM		Ø4*39MM	
B13	x2										
											

# TOOL LIST

B14	x1	B15	x1
			
1/4"			

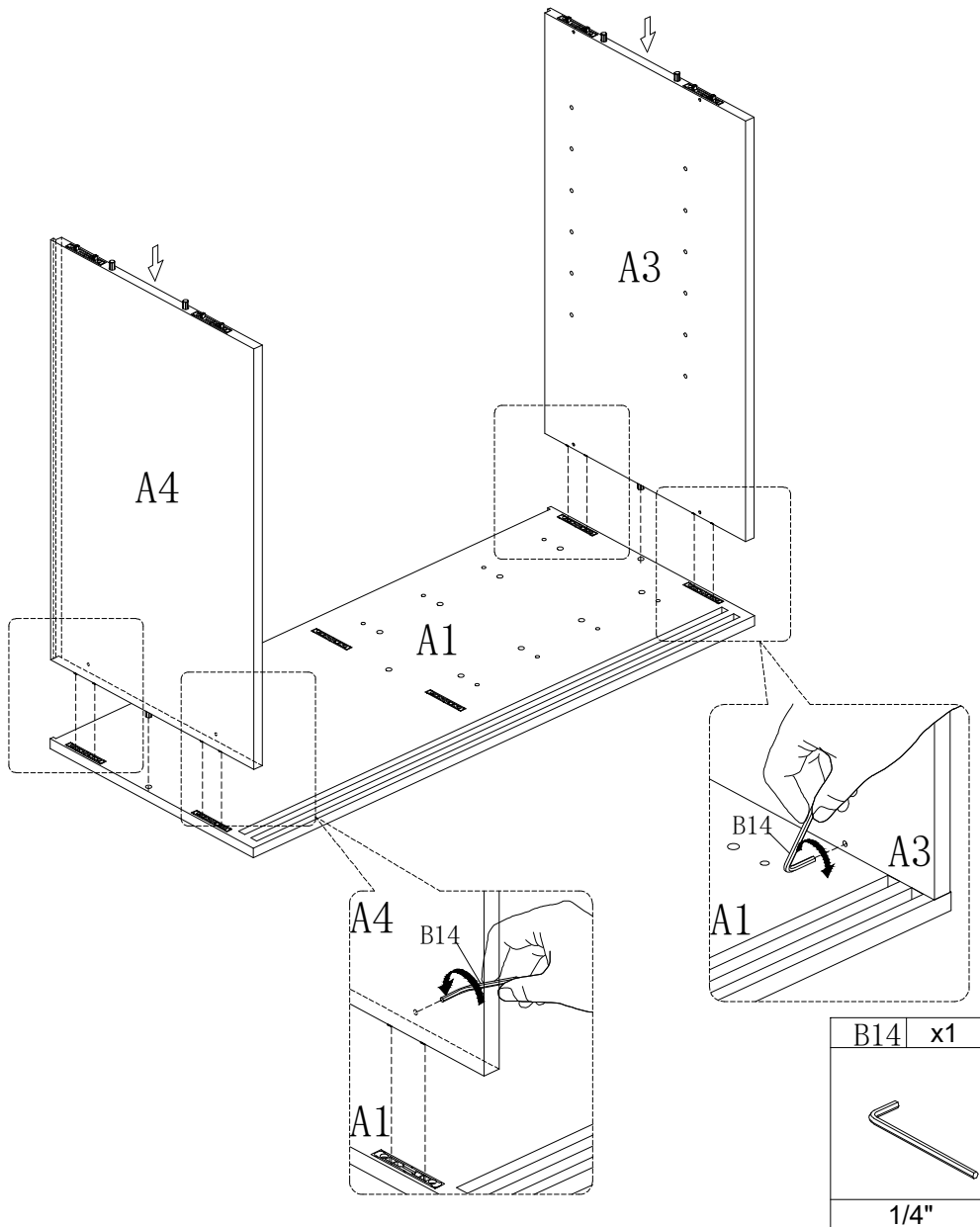
# HARDWARE SPARE LIST

B1	x1	B6	x1	B7	x1	B8	x1	B4	x1	B3	x1
											
1/4"*5/8"		1/4"*12MM		1/4"*16MM				Ø3*15MM		Ø8*30MM	

# ASSEMBLY INSTRUCTIONS

## STEP-1

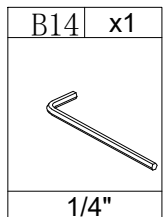
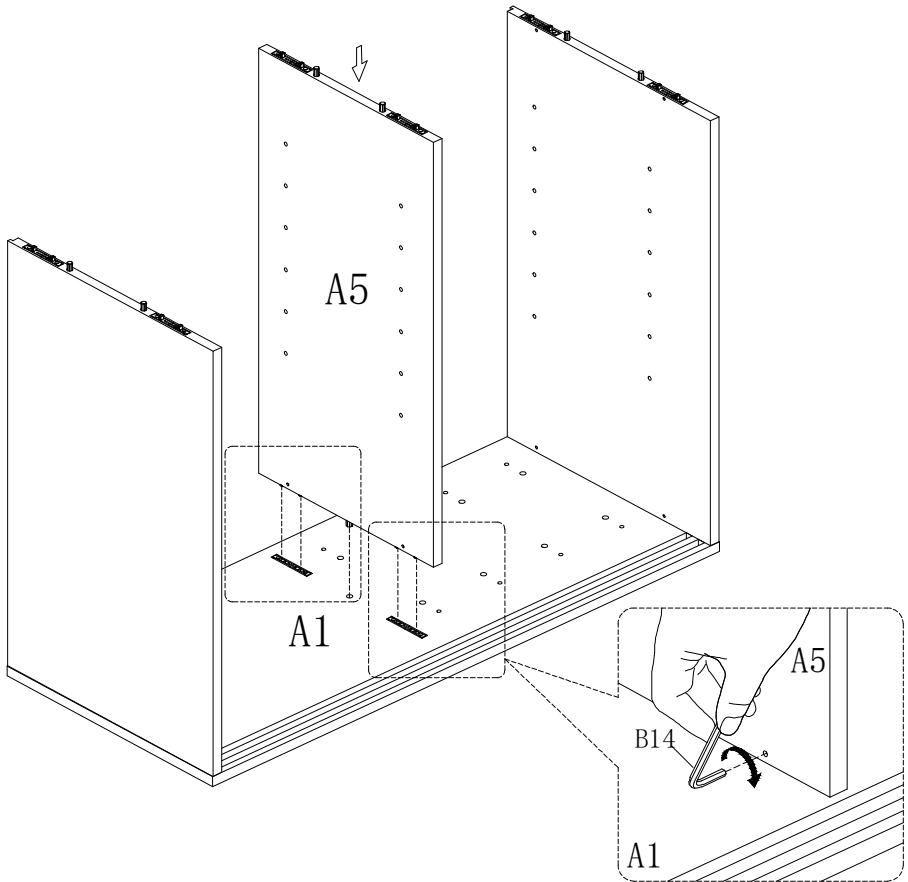
1. Insert side panel (A4 & A3) into panel (A1), make sure all holes aligned and then tighten it with allen key #14 as picture show.



# ASSEMBLY INSTRUCTIONS

## STEP-2

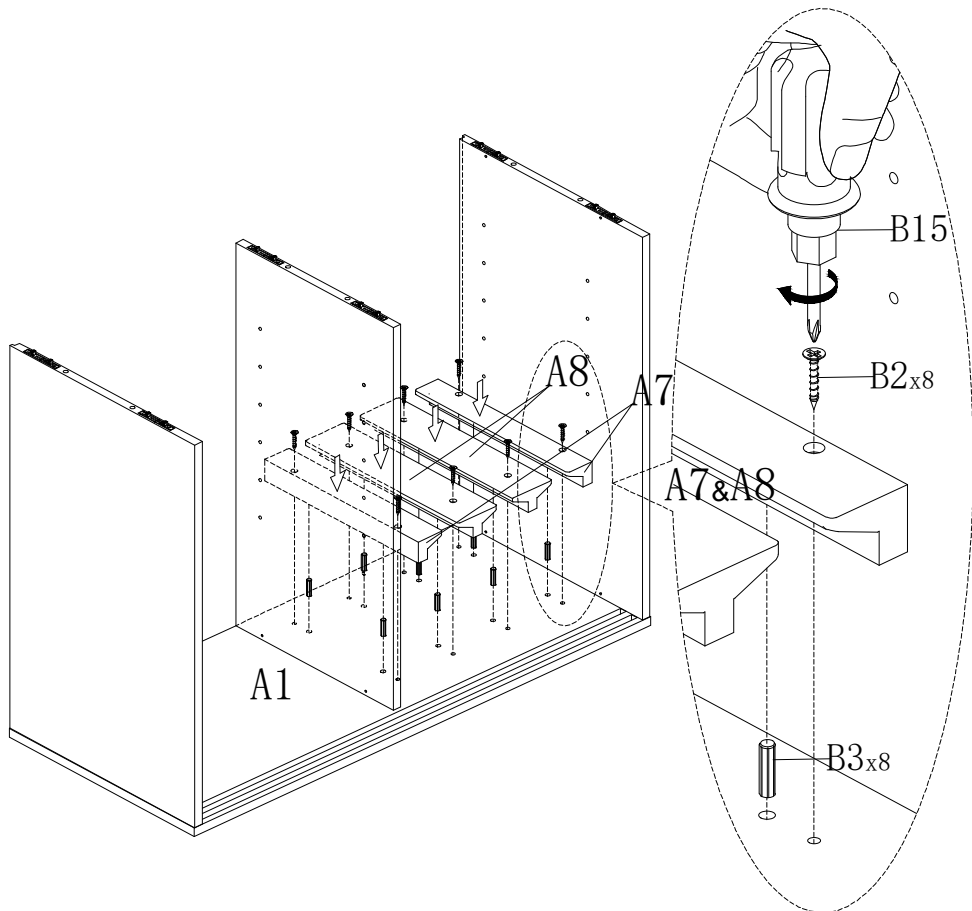
1. Insert side panel (A5) into panel (A1), make sure all holes aligned and then tighten it with allen key #14 as picture show.



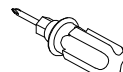


# ASSEMBLY INSTRUCTIONS

## STEP-3

1.Prepare for part A1. Align the holes in part A1, insert wooden dowel B3 by hand, Use screw B2 to attach wine glass holder (A8&A7) to the corresponding hole of panel(A1), tighten screw with screwdriver B15.



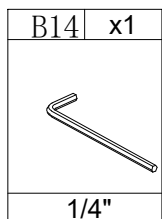
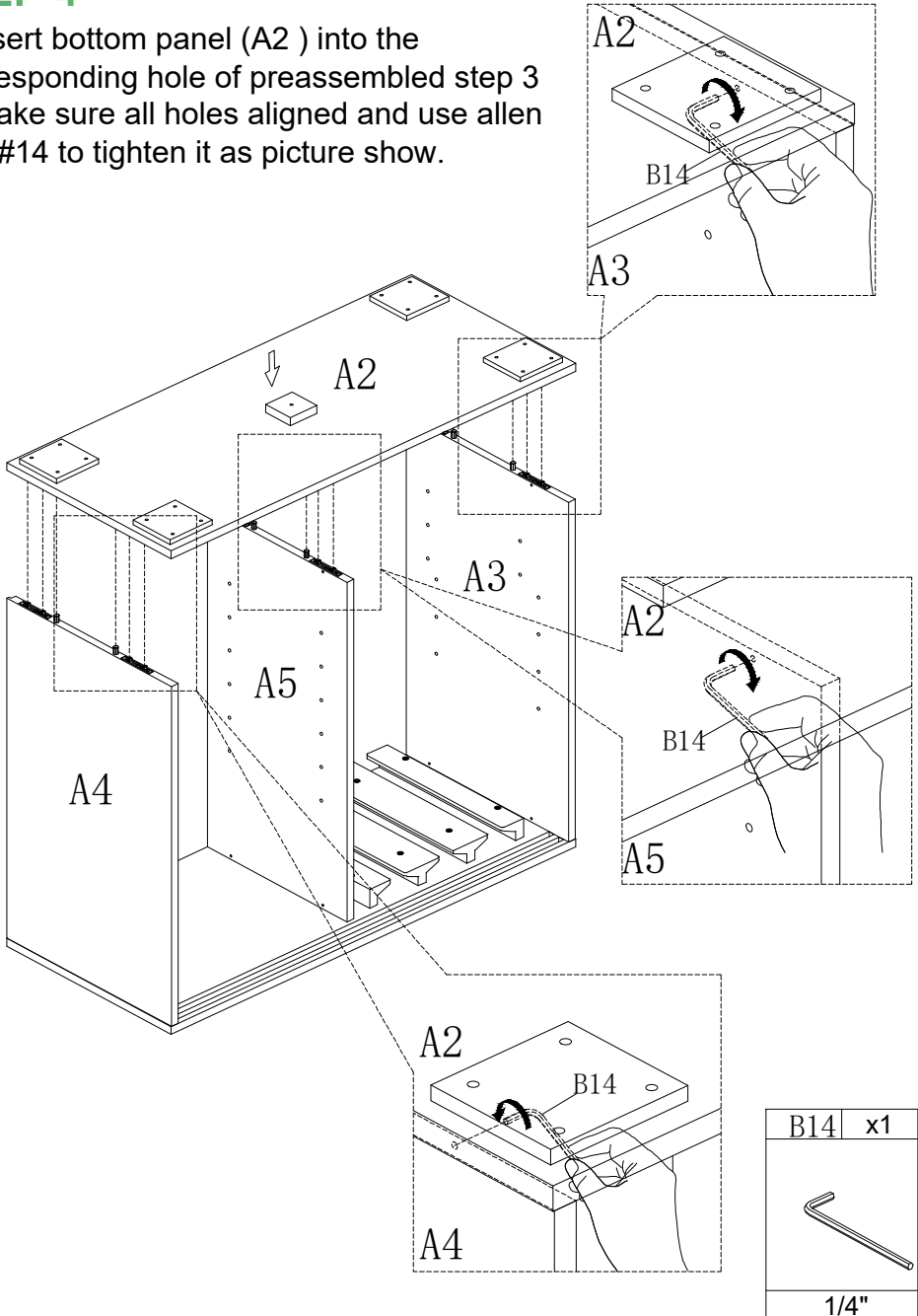
B3	x8	B2	x8	B15	x1
					
Ø8*30MM		4MM*1-1/2"			



# ASSEMBLY INSTRUCTIONS

## STEP-4

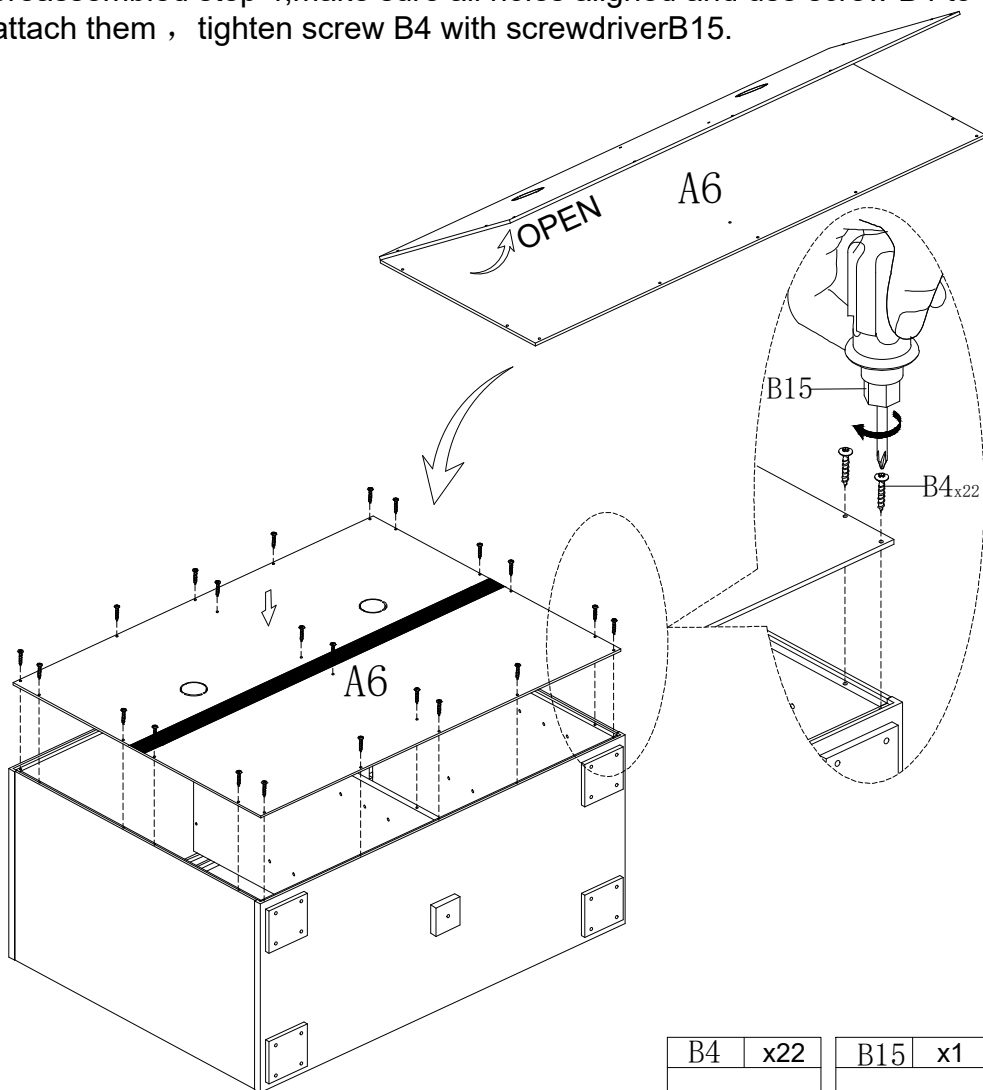
1. Insert bottom panel (A2 ) into the corresponding hole of preassembled step 3 , make sure all holes aligned and use allen key #14 to tighten it as picture show.


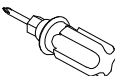


# ASSEMBLY INSTRUCTIONS

## STEP-5

1. open back panel ,insert back panel(A6) into the groove of preassembled step 4,make sure all holes aligned and use screw B4 to attach them , tighten screw B4 with screwdriverB15.

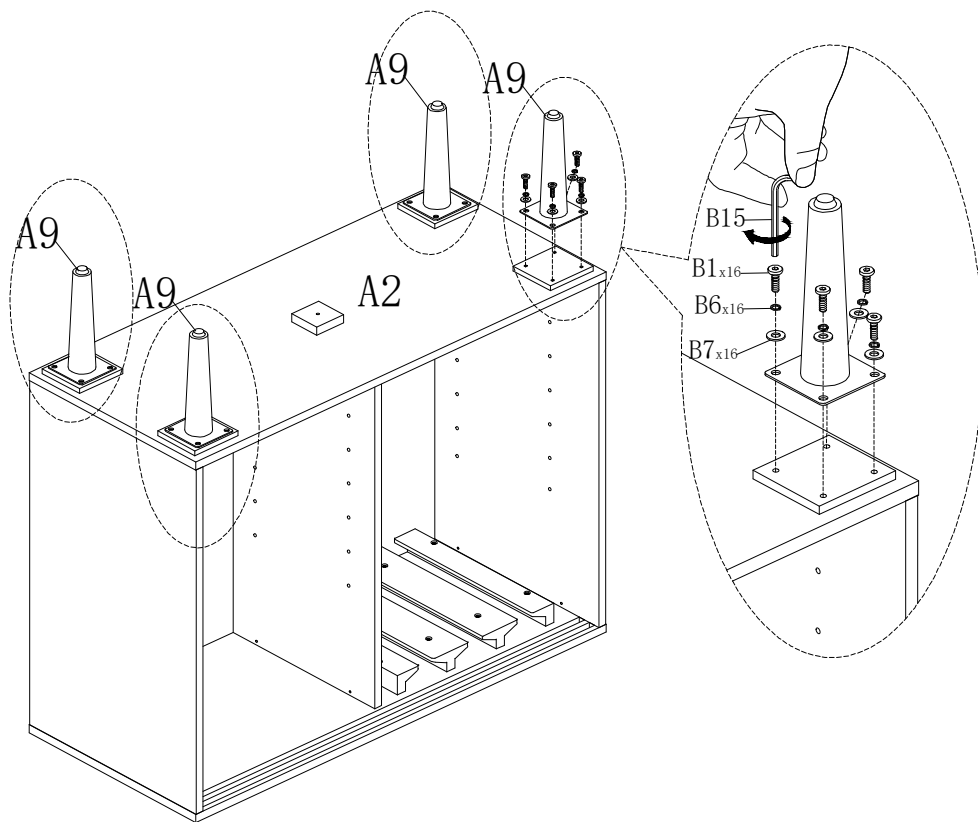





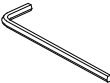
B4	x22	B15	x1
			
Ø3*15MM			

# ASSEMBLY INSTRUCTIONS

## STEP-6

1. Insert gasket B6 and B7 in sequence into screw B1, install leg A9 on of bottom panel A2, ensure the corresponding holes are aligned and fix with bolt #1, then tighten the screw with an Allen key #B14.

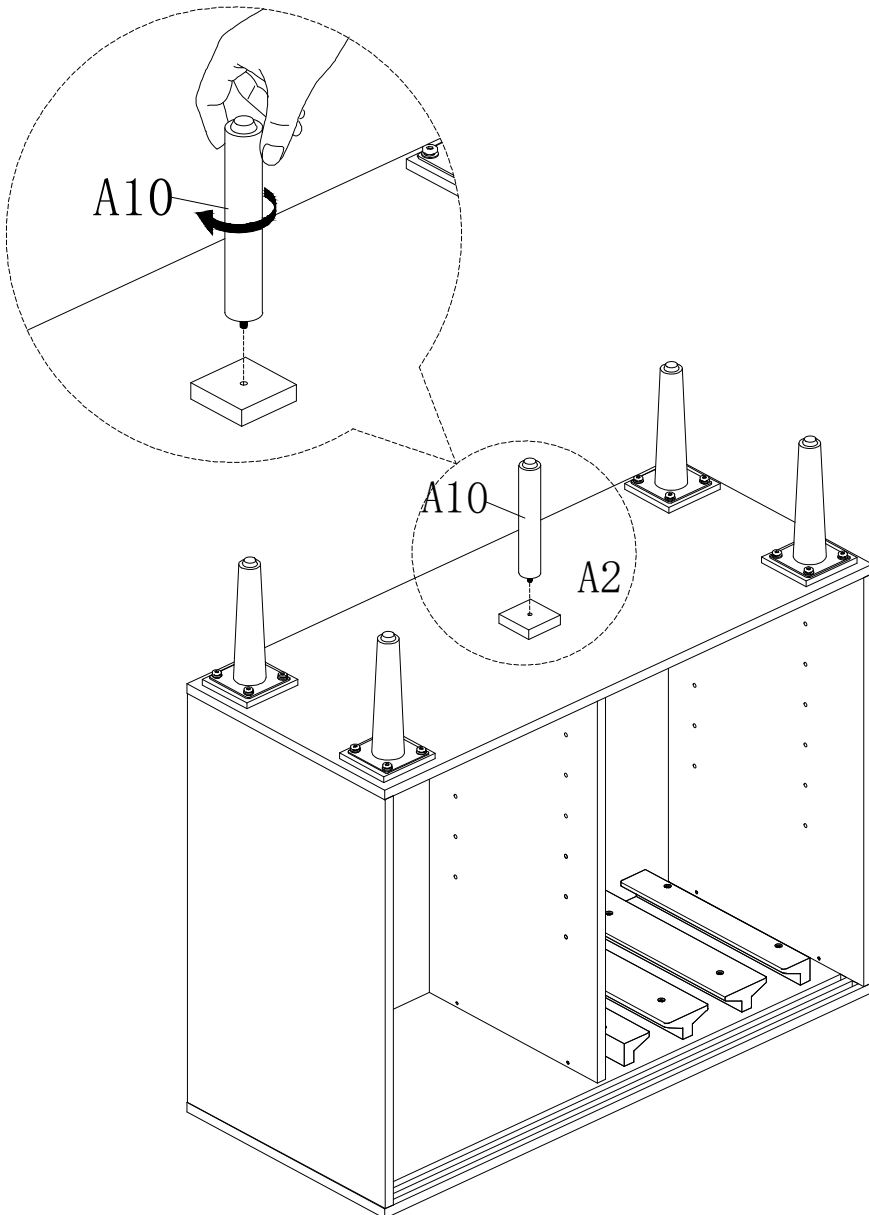


B1	x16	B6	x16	B7	x16	B14	x1
							
1/4"*5/8"		1/4"*12MM		1/4"*16MM		1/4"	

# ASSEMBLY INSTRUCTIONS

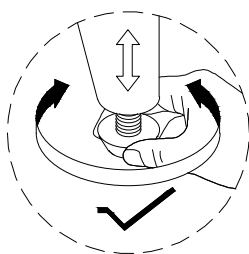
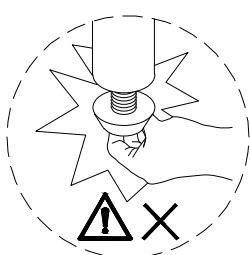
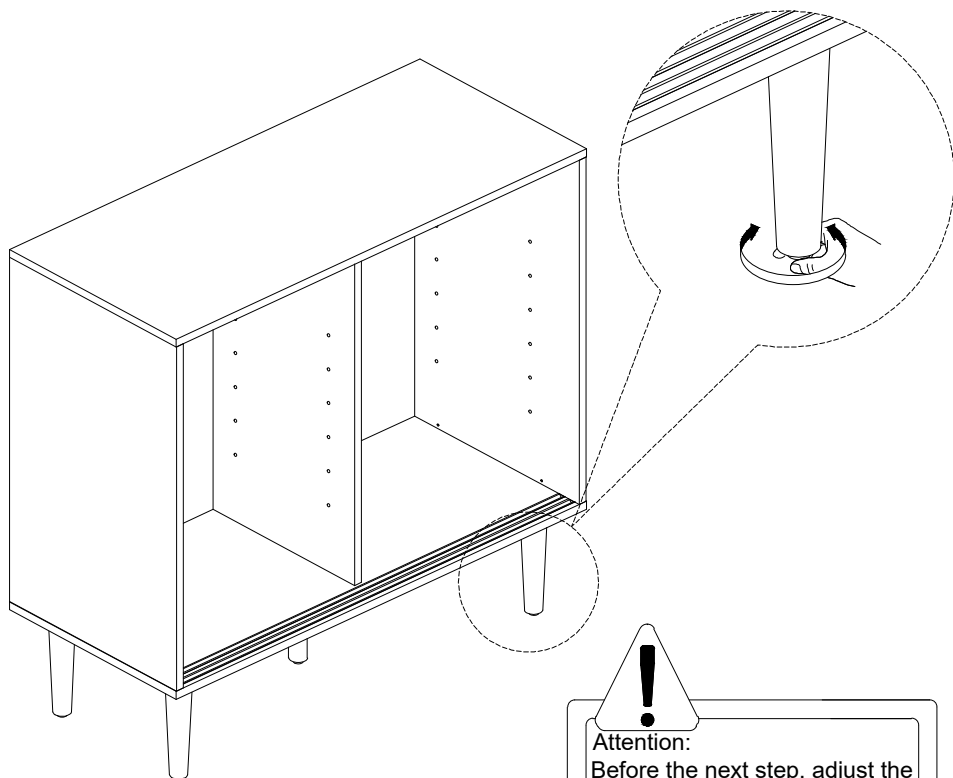
## STEP-7

1. Swivel mount the mid-foot A10 to the cabinet.



# ASSEMBLY INSTRUCTIONS

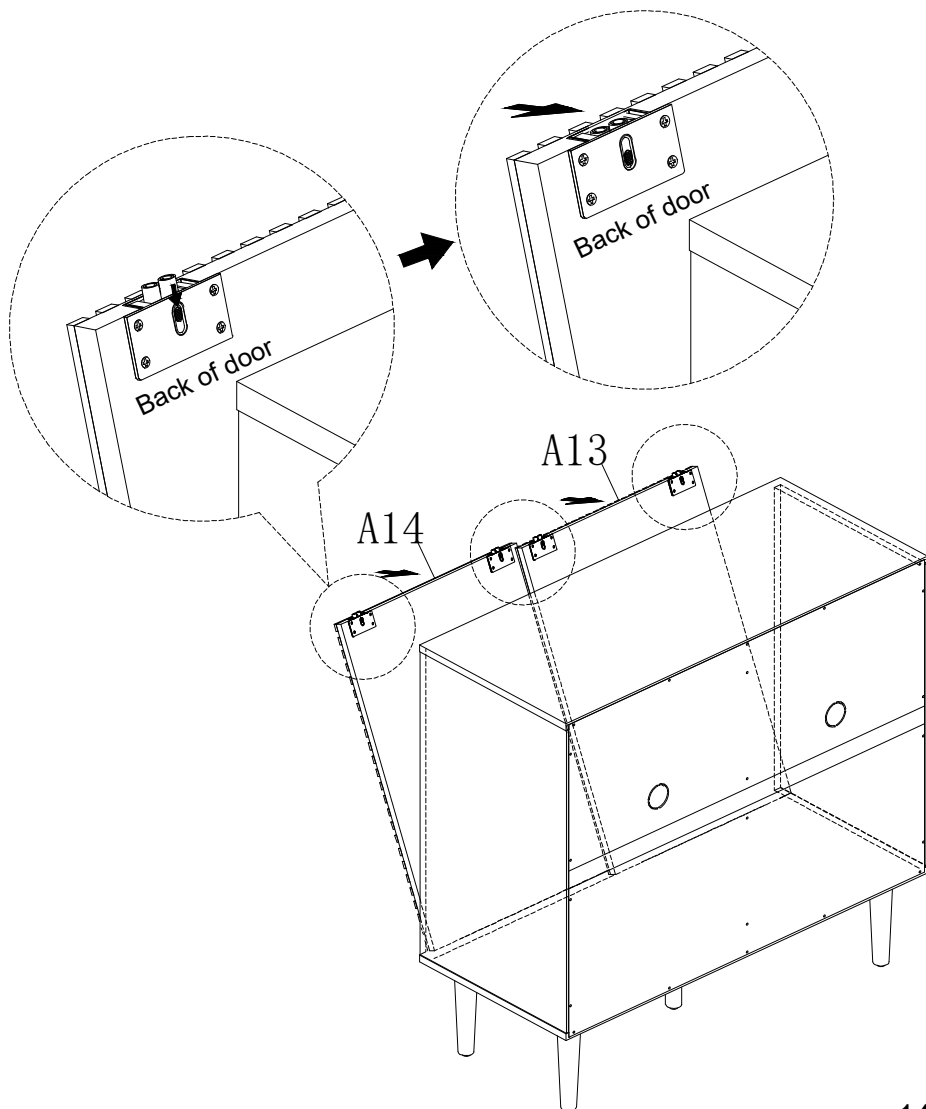
## STEP-8



# ASSEMBLY INSTRUCTIONS

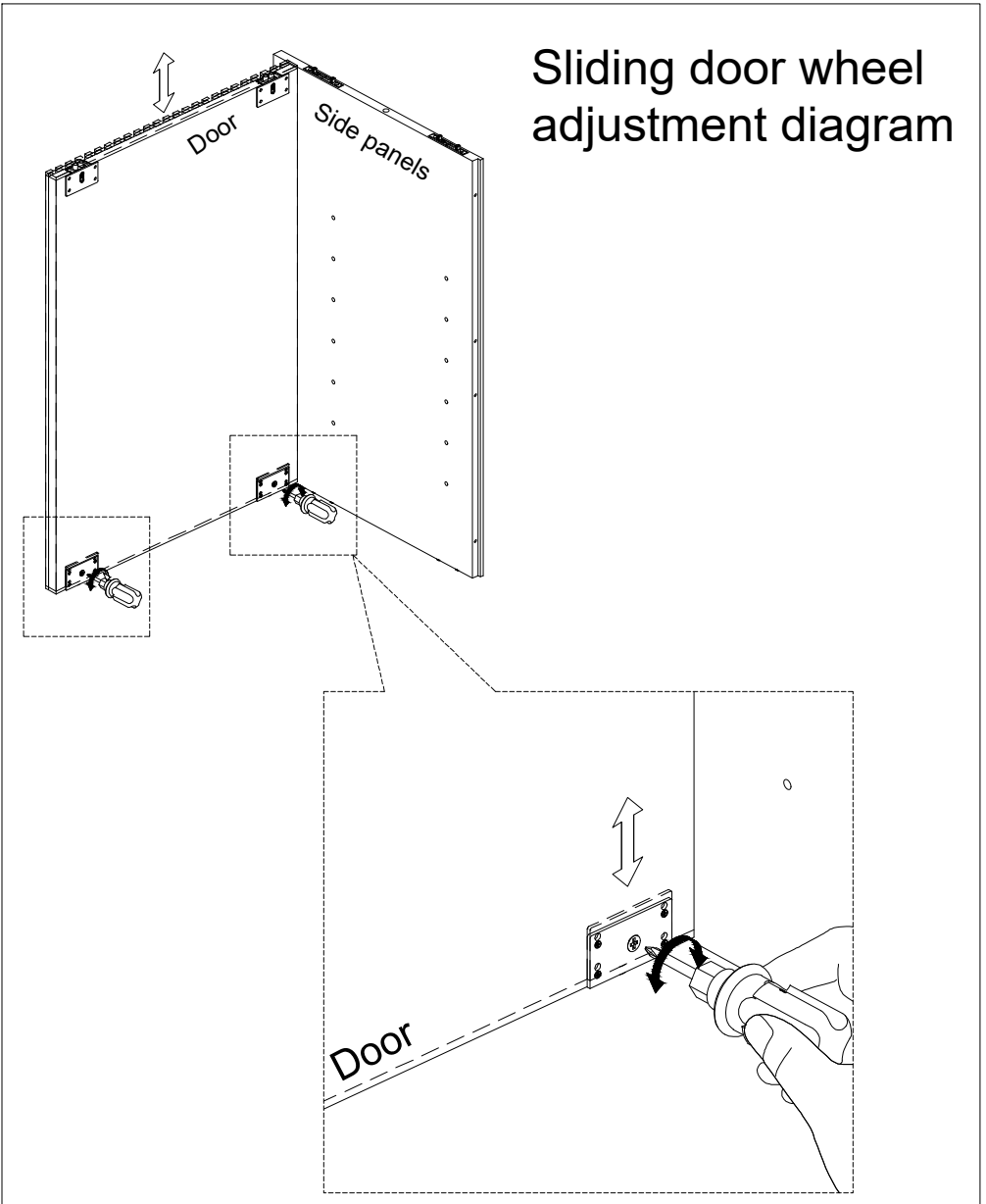
## STEP-9

1. picture show. Install the door panel to the pre-assembled unit from step 8. move button.



# ASSEMBLY INSTRUCTIONS

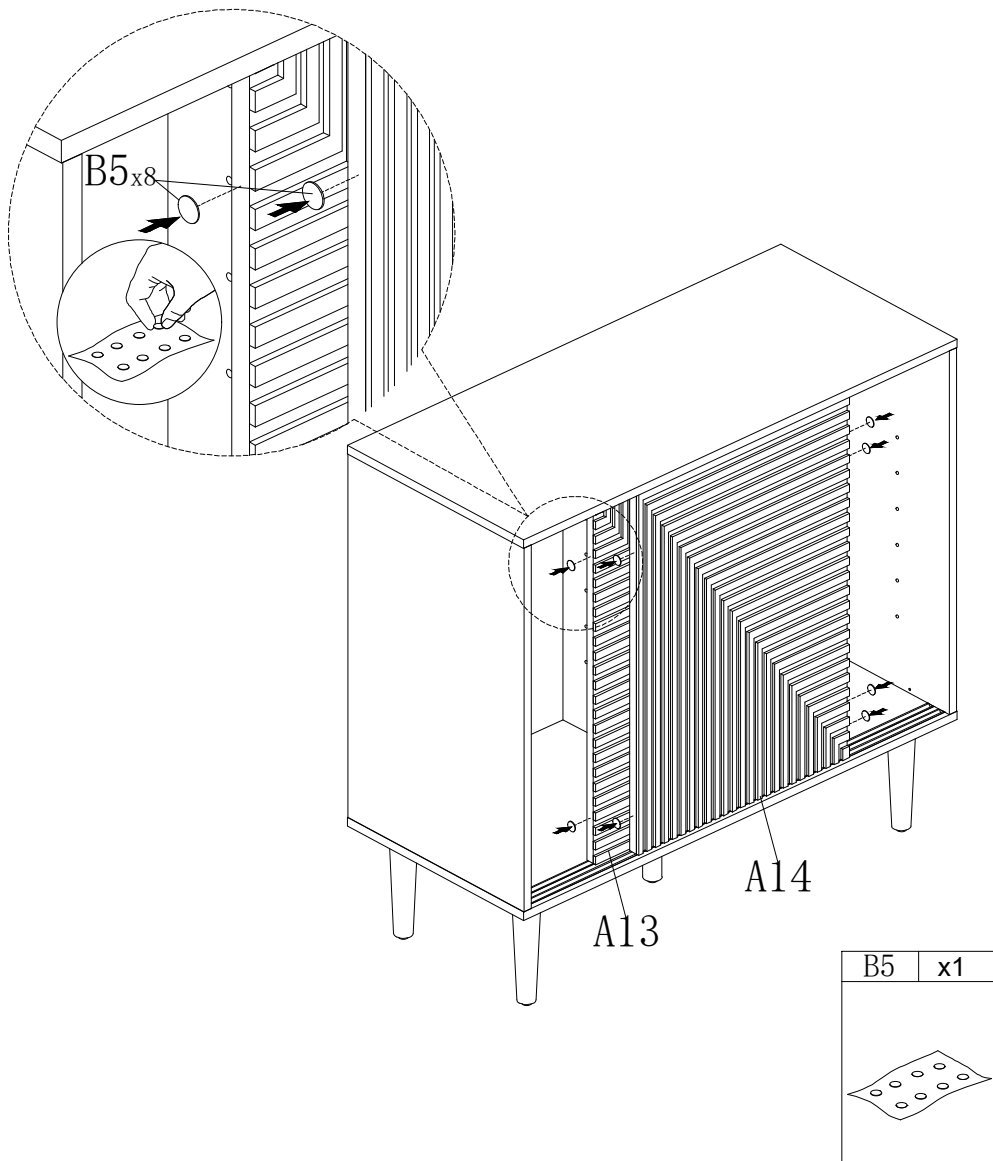
## Sliding door wheel adjustment diagram



# ASSEMBLY INSTRUCTIONS

## STEP-10

1. Attach the anti-collision pad B5 to the door panel.

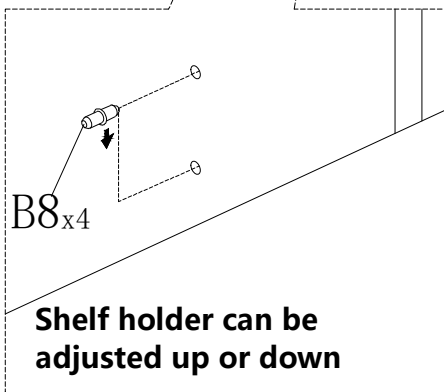
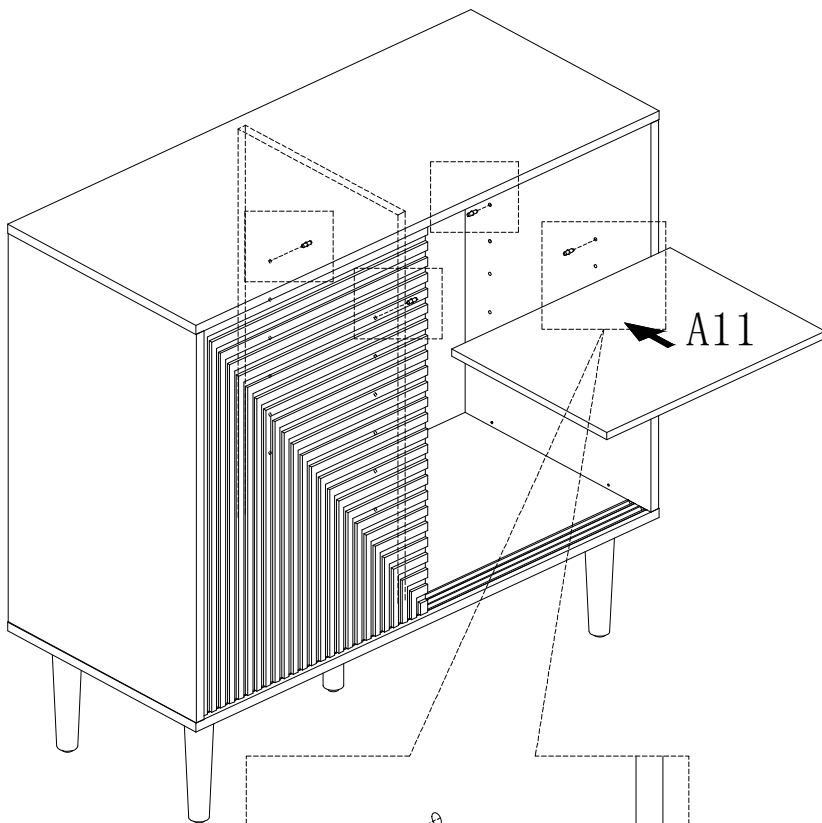




# ASSEMBLY INSTRUCTIONS


## STEP-11

1. Insert shelf holder B8 into the corresponding hole of panel A4&A5 and then attach panel (A11) to it.



B8<sub>x4</sub>

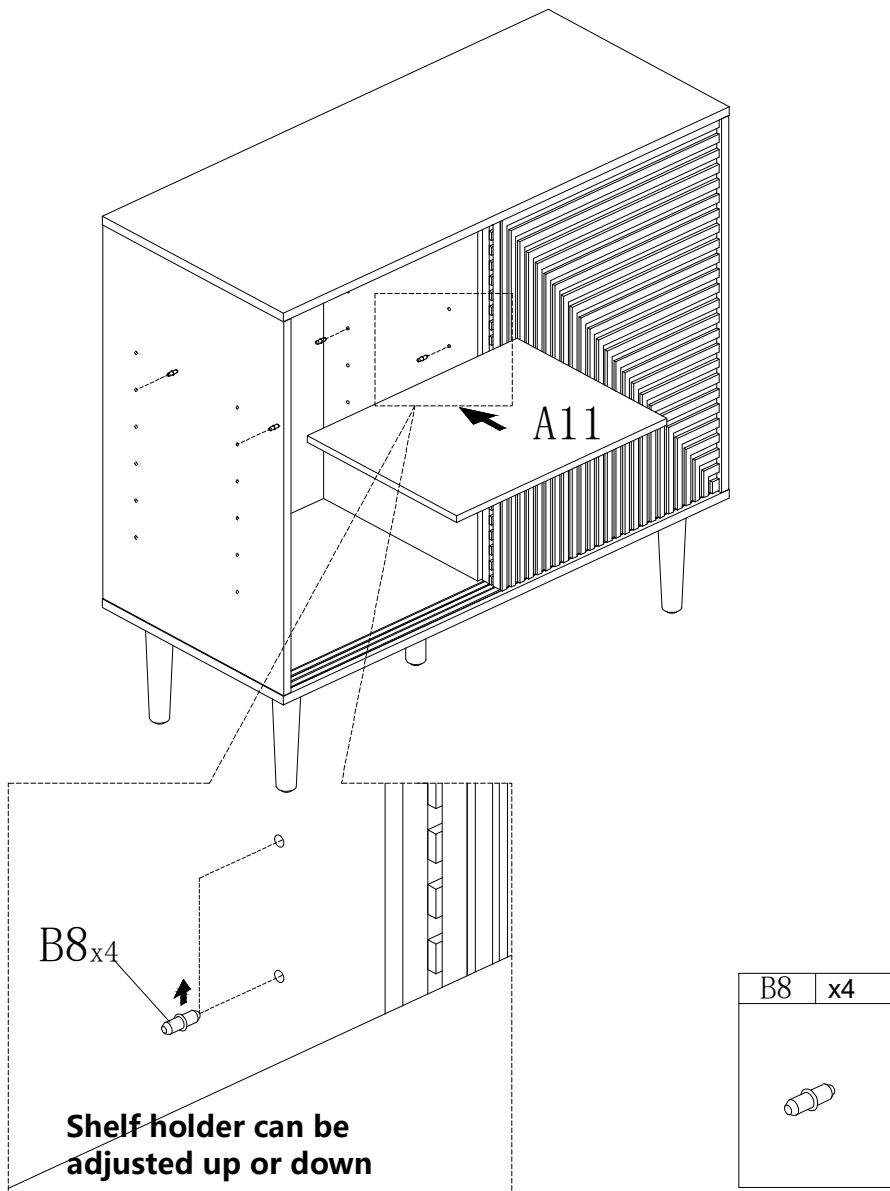
**Shelf holder can be  
adjusted up or down**

B8	x4
	

# ASSEMBLY INSTRUCTIONS

## STEP-12

1. Insert shelf holder B8 into the corresponding hole of panel (A5&A3) and then attach panel (A11) to it.

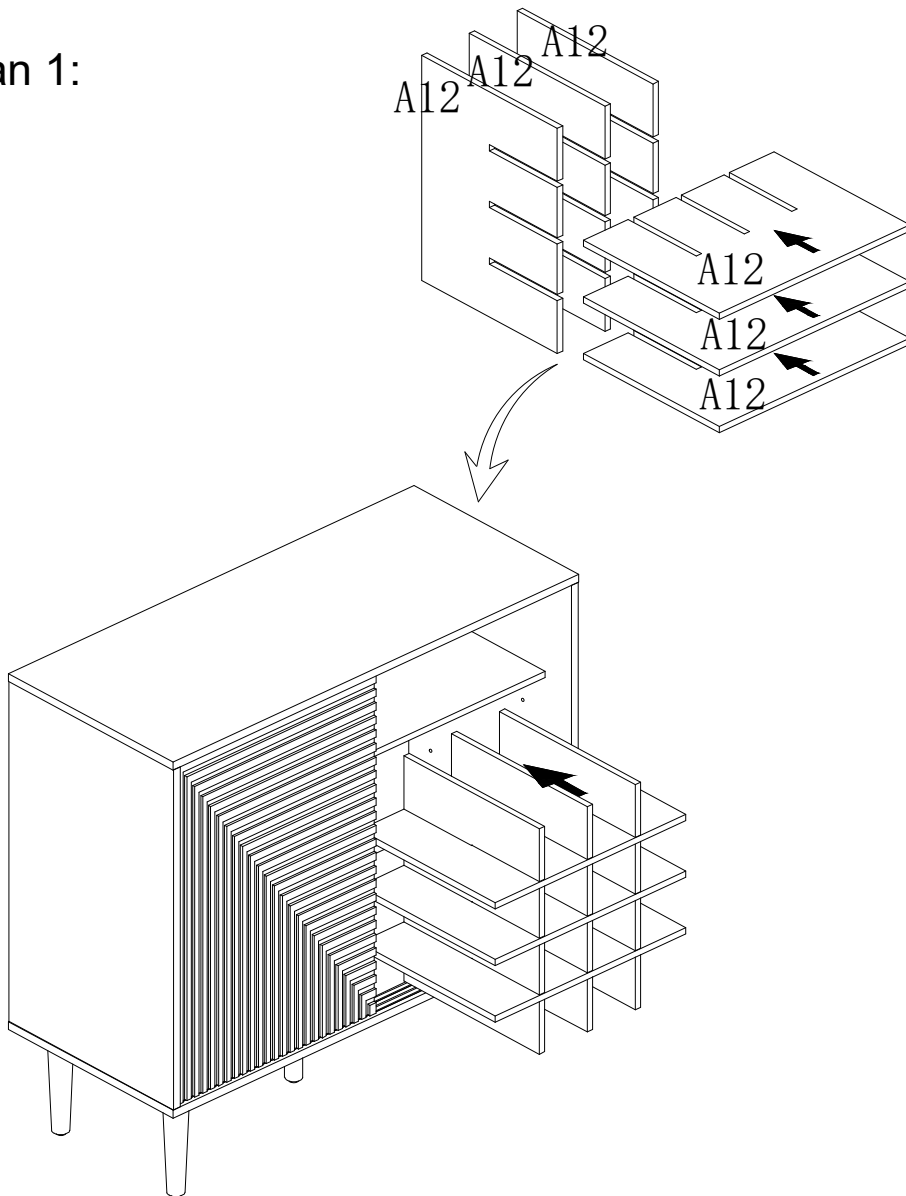


# ASSEMBLY INSTRUCTIONS

## STEP-13

1. picture show. After assembling the A12, place it into the cabinet.

Plan 1:

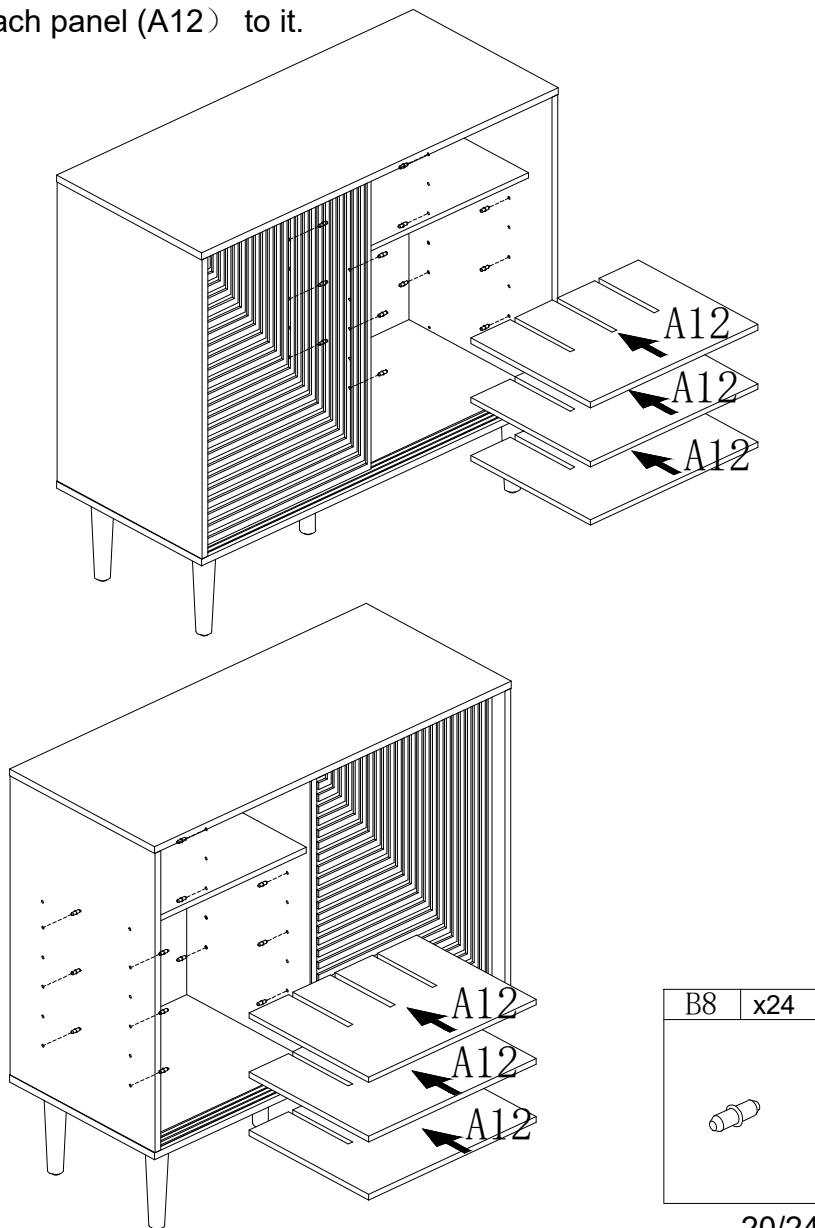


# ASSEMBLY INSTRUCTIONS

## STEP-14

1. Insert shelf holder B8 into the corresponding hole of panel (A5&A4) and then attach panel (A12) to it.
2. Insert shelf holder B8 into the corresponding hole of panel (A3&A5) and then attach panel (A12) to it.

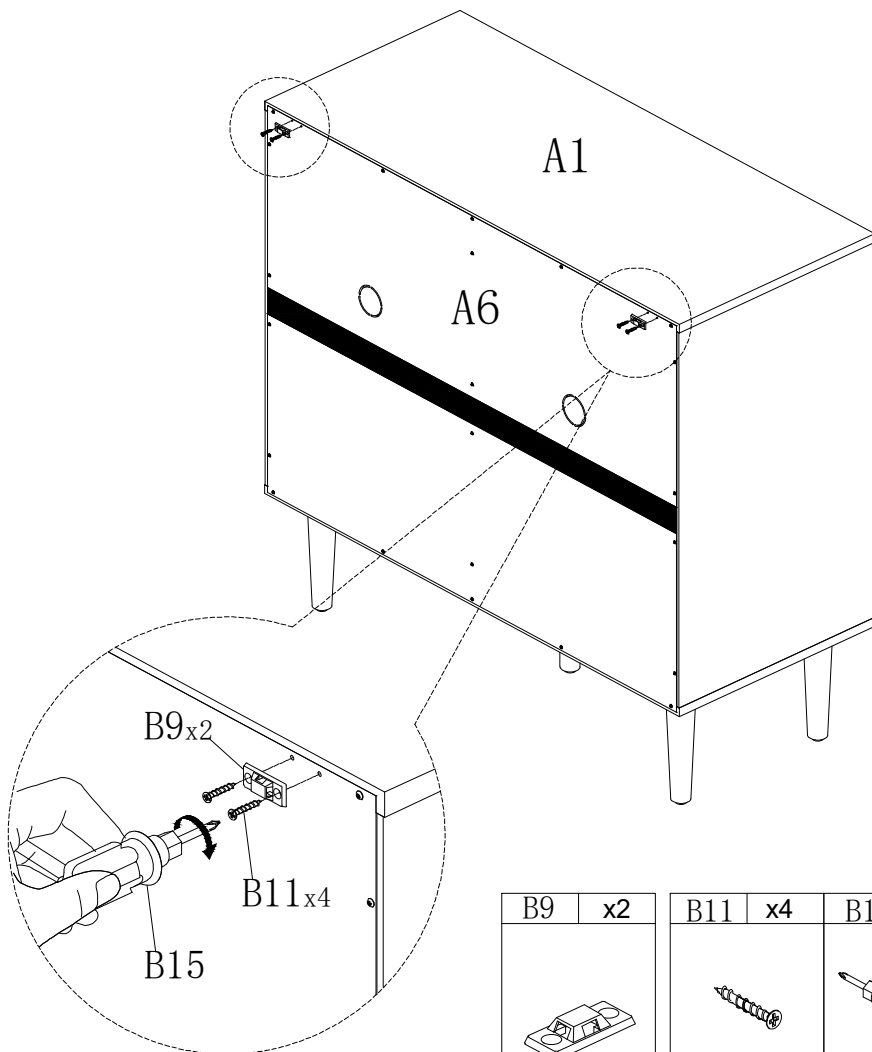
Plan 2:



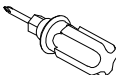


# ASSEMBLY INSTRUCTIONS

## STEP-15




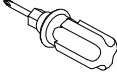
1. Use screw B11 to attach part B9 to preassemble unit at step 14, tighten screws with screwdriver B15.



B9	x2	B11	x4	B15	x1
					
		Ø4*20MM			

# ASSEMBLY INSTRUCTIONS

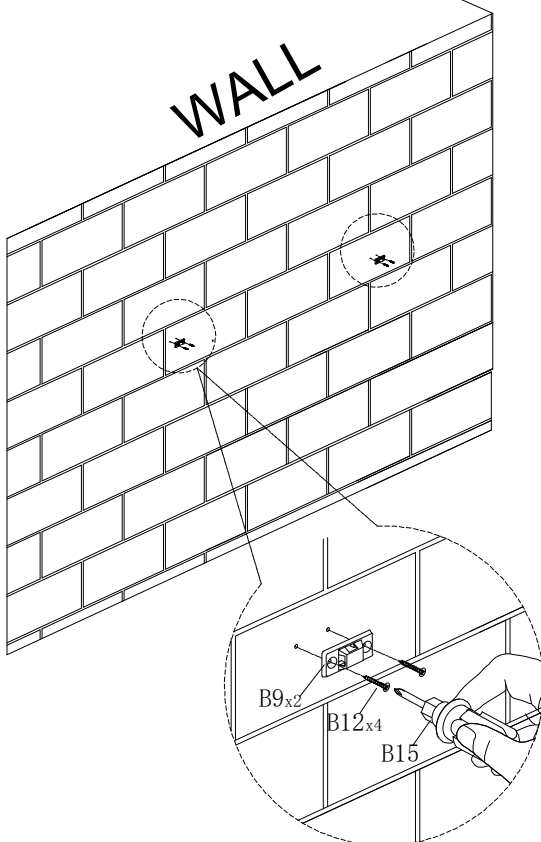
## STEP-16

B9	x2	B10	x4	B12	x4	B15	x1
				 Ø4*39MM			

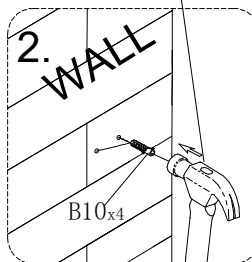
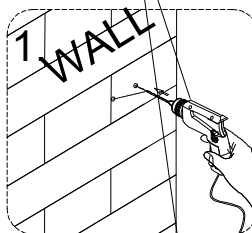
1. Install the anti-collapse device.

2. Mark the position on the wall, that corresponds to the location of part B9 on the of panel (A1); Drill and insert the expandable screw B10 by hammer.

3. Assemble the part B9 to the wall. Align the hole in the part B9 with the expandable screw B10, use screw B12 to attach it and tighten by screwdriver B15.

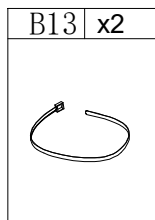


NOT PROVIDED

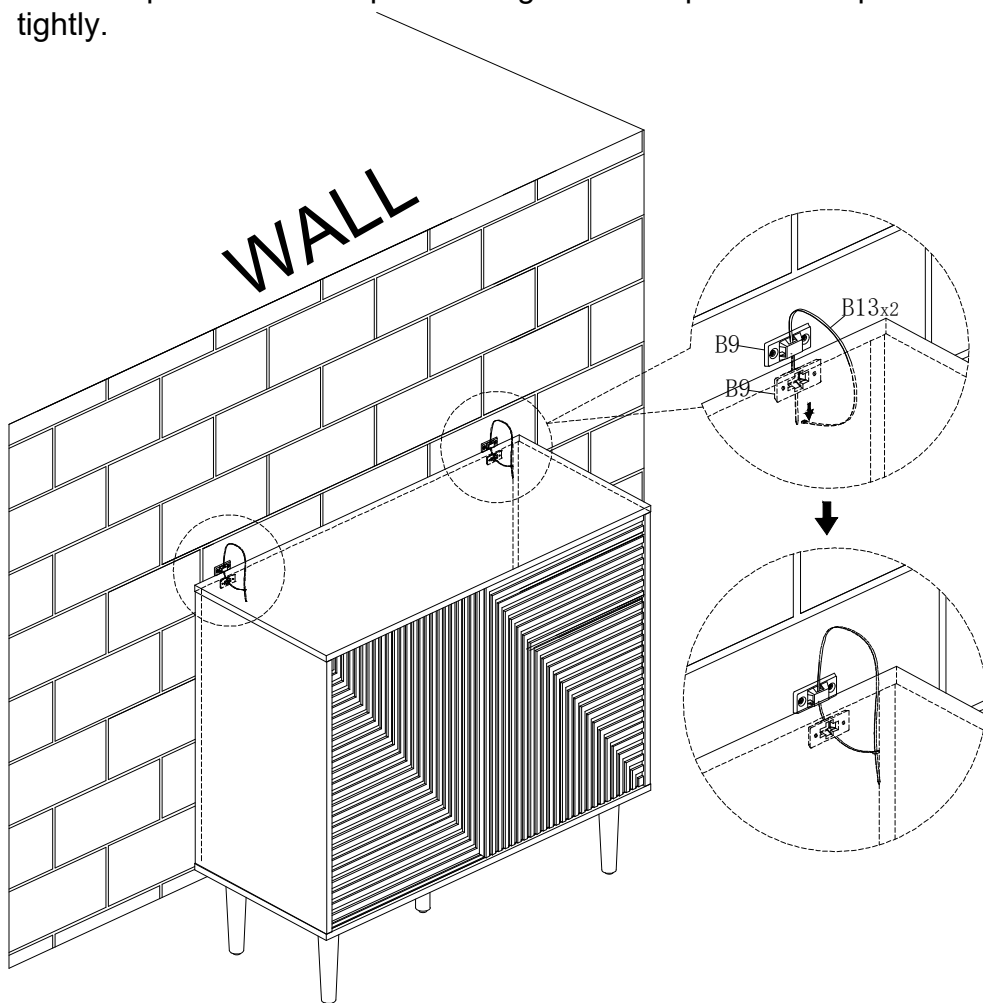


# ASSEMBLY INSTRUCTIONS

## STEP-17



1. Let the plastic belt B13 pass through the both part B9 and pull tightly.



# WARRANTY

1. We strive to offer high-quality products, and we also try our best to satisfy each and every customer that orders from us with product or service as needed.
2. We provide 30 days warranty starting from the time you receive the item. Each customer must provide a record of their order such as the order number, or item receipt for any items that are out of the warranty period you may also still receive.
3. Replacement parts by purchasing them with our company if they are available.

Are you having difficulty  
With assembly? Missing parts?  
Please send email with your order No to  
**[customerservice@hulalahome.com](mailto:customerservice@hulalahome.com)**  
For return, please check the return policy with  
the retailer or market place you bought from.

Appreciate your purchasing from us.  
Pop up your life by our furniture piece!