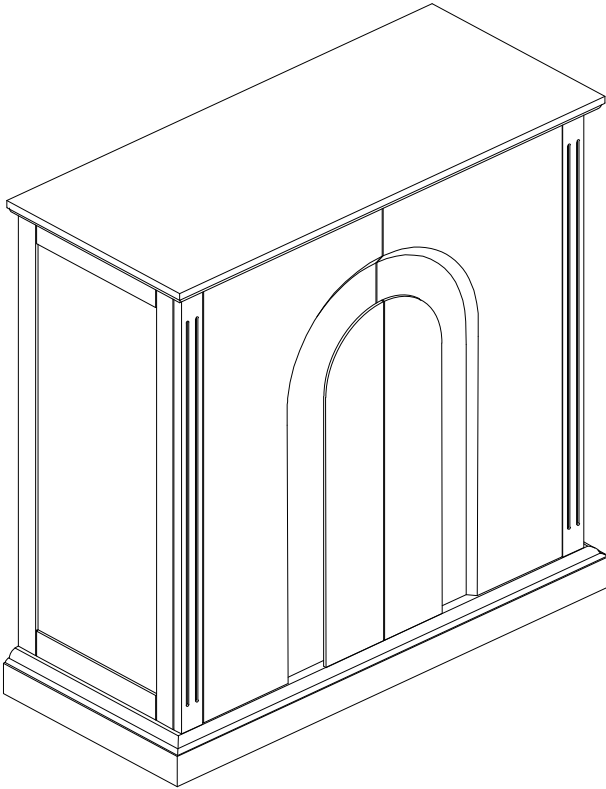


# HULALA

---

H O M E



**ITEM NO.SCYL1018**

---

**NOTE:**

This brochure contains IMPORTANT safety info. Please read and keep for future reference.

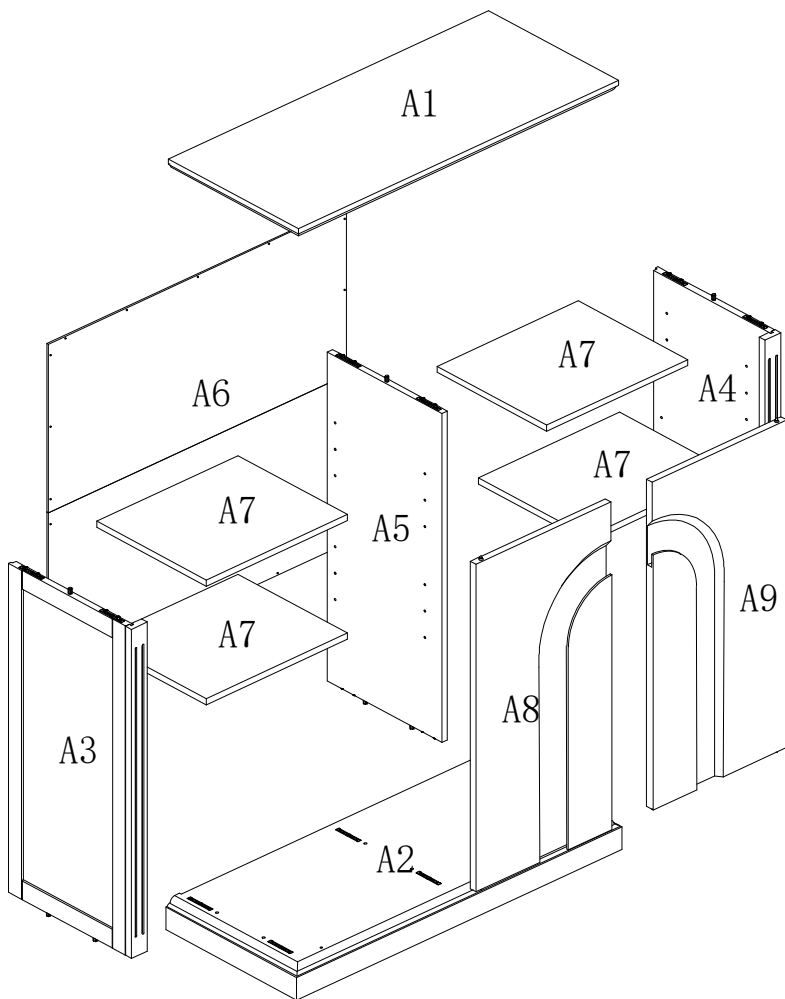
---

# MAINTAINANCE AND WARNING

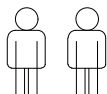
- 1.Keep furniture away from heat sources.
- 2.Do not clean furniture with harsh cleaner or polishes.Do not use detergents,solvents,abrasives,spray packs or leather cleaner. Use non-color mild soa with warm water to clean spills(Mix 1:10 soap to water).
- 3.Do not place furniture under direct sunlight,material will possibly fade over time.
- 4.Do not use on site dry cleaning machine.Children should not climb or jump on the furniture.
- 5.Do not write on furniture that is not protectedby a padded barrier.
- 6.Not for commercial use,only for residential use.



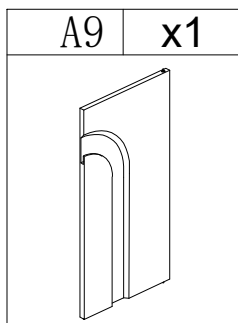
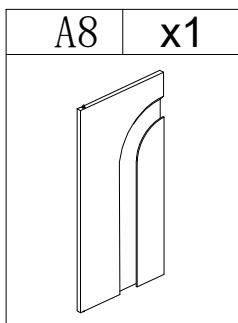
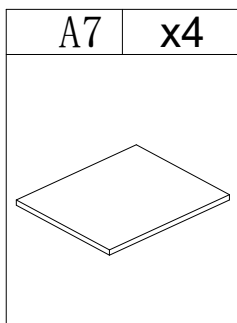
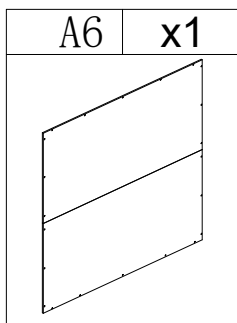
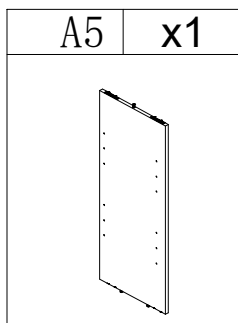
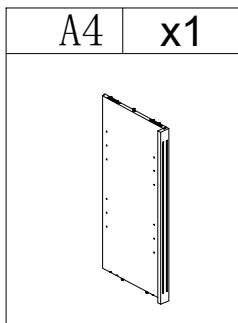
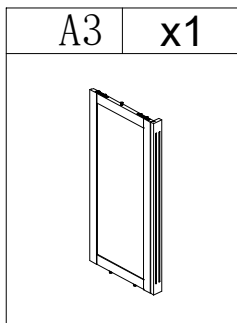
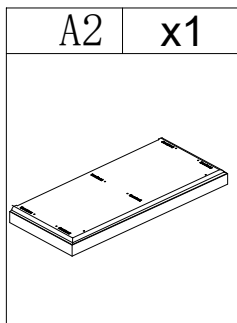
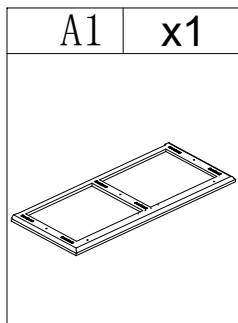
# EXPLOSIVE VIEW



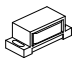





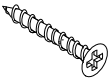

2PERSONENS



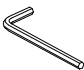
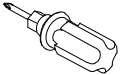
# PARTS LIST 1




# HARDWARE LIST

B1	x2		B2	x28	 Ø3*15MM	B3	x16		B4	x4		B5	x4		B6	x2	
B7	x4	 Ø4*39MM	B8	x4	 Ø3*20MM												

# TOOL LIST

B9	x1	 M6	B10	x1	
----	----	---	-----	----	--

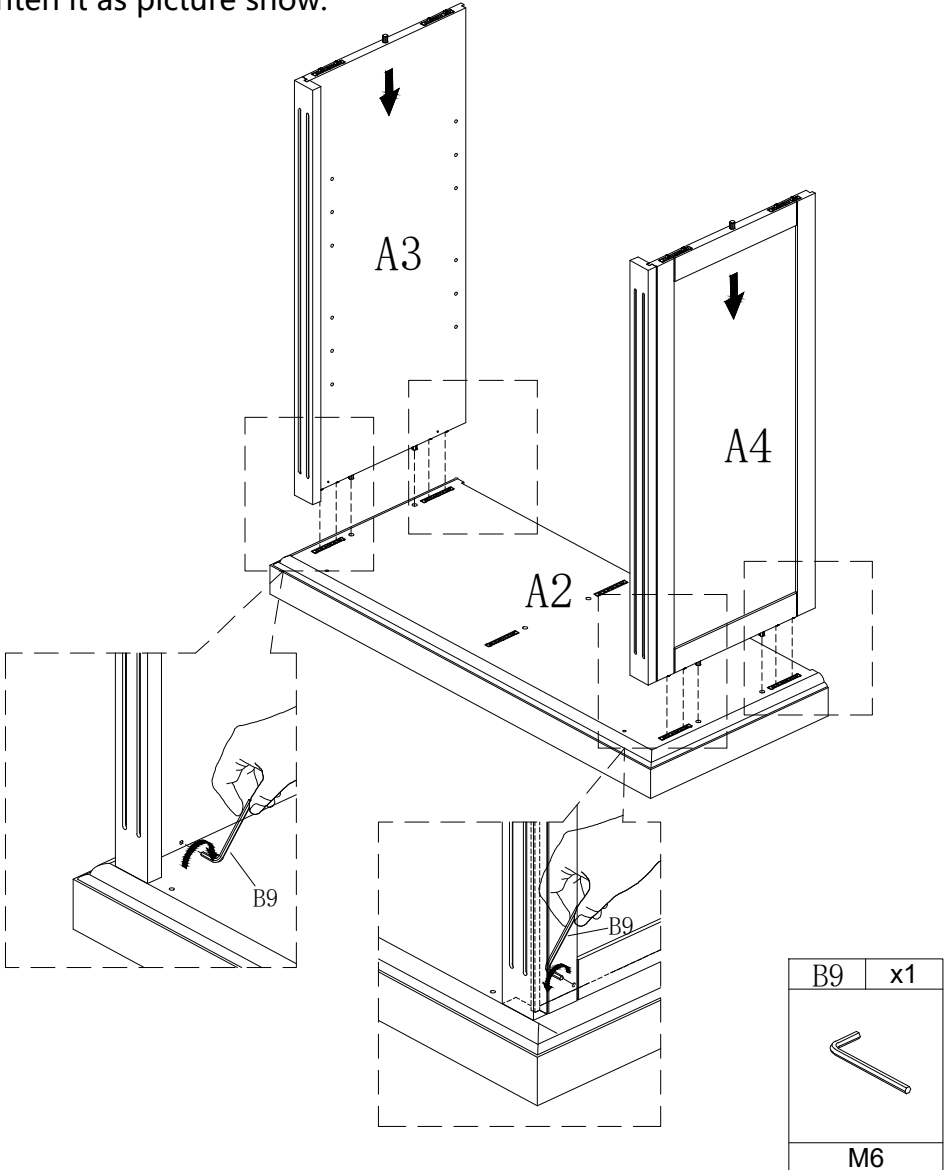
# HARDWARE SPARE LIST

B2	x3	 Ø3*15MM
----	----	---

# ASSEMBLY INSTRUCTIONS

## STEP-1

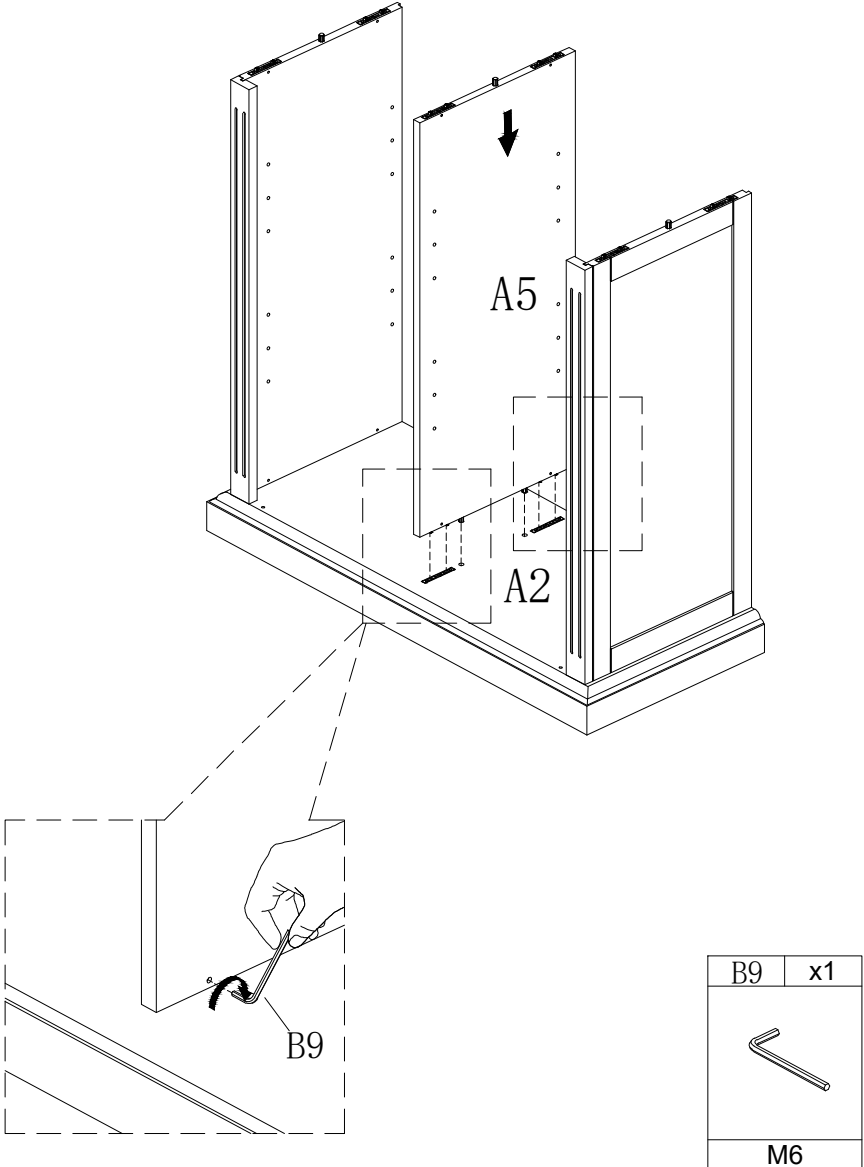
1. Insert side panel (A3/A4) into the corresponding hole of bottom panel(A2), make sure all holes aligned and use allen key #B9 to tighten it as picture show.



# ASSEMBLY INSTRUCTIONS

## STEP-2

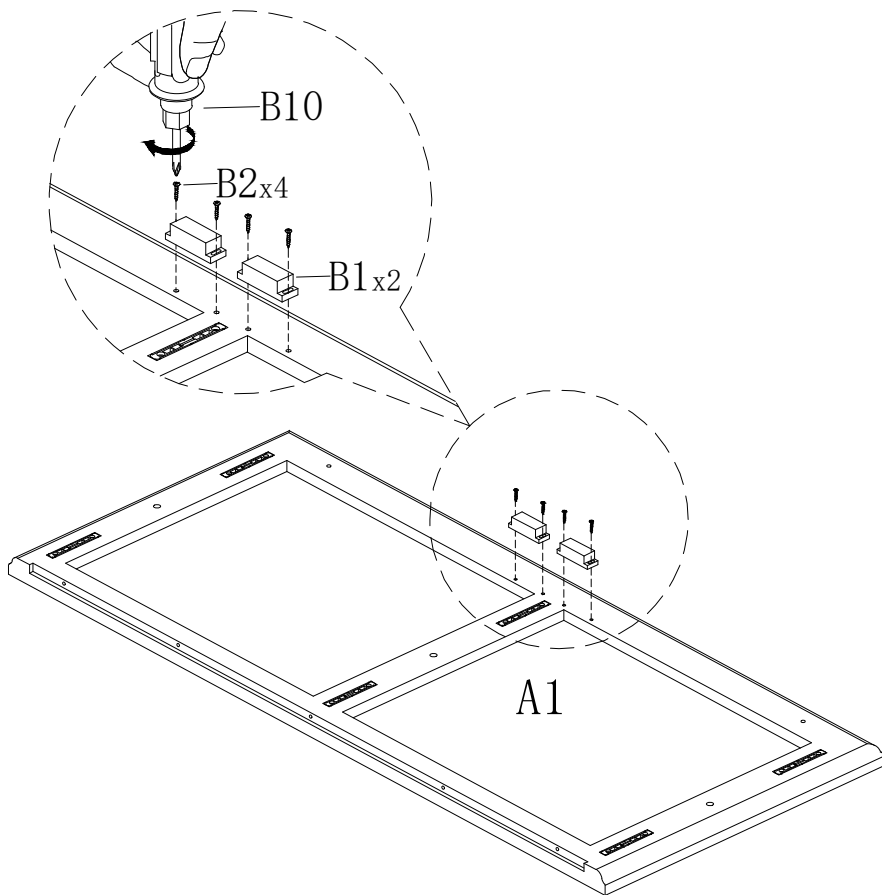
1.Insert vertical panel (A5) into the corresponding hole of bottom panel(A2), make sure all holes aligned and use allen key #B9 to tighten it as picture show.


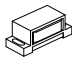
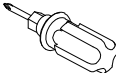


# ASSEMBLY INSTRUCTIONS

## STEP-3

1. Use screw B2 to attach part B1 to the corresponding hole of top panel(A1), tight screw with screwdriver B10.



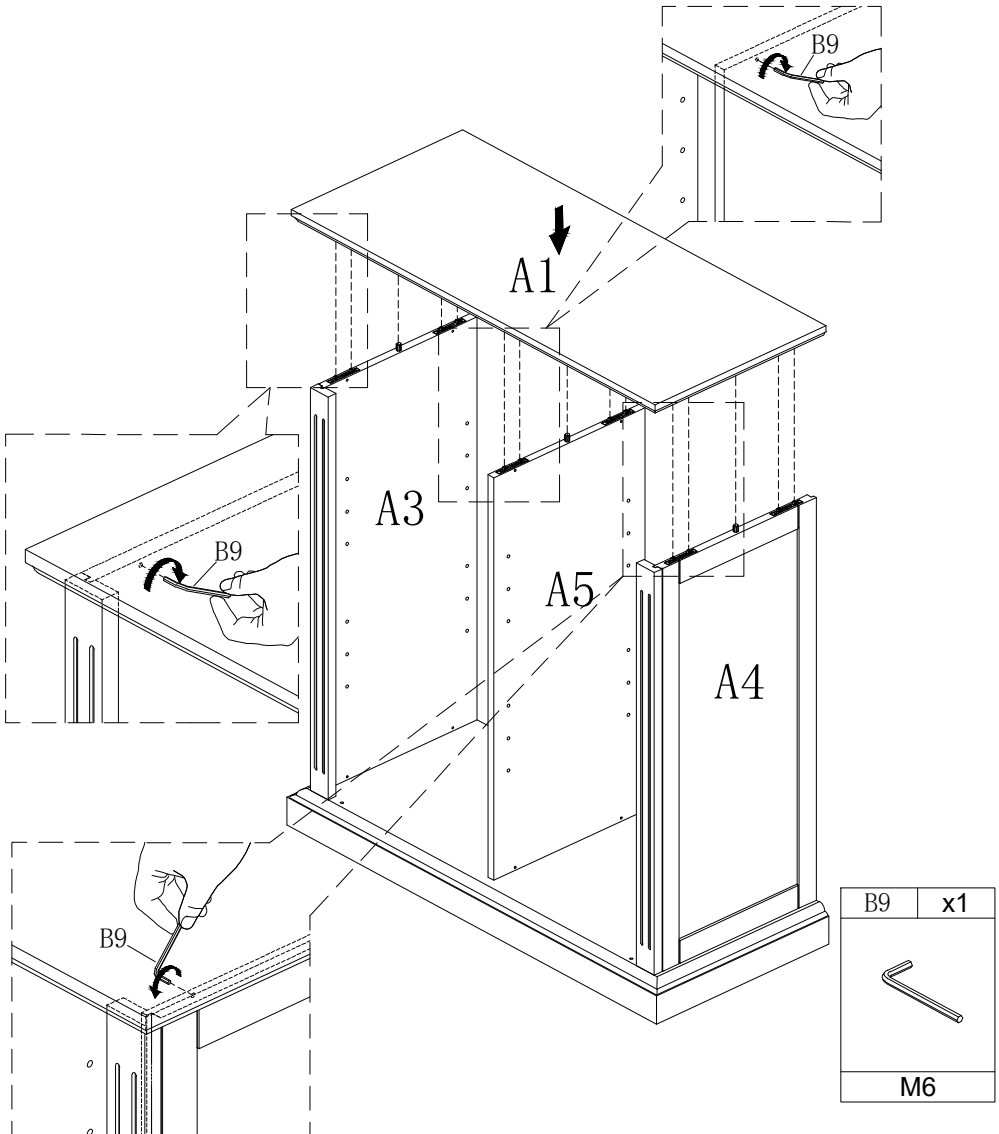
B2	x4	B1	x2	B10	x1
					
Ø3*15MM					



# ASSEMBLY INSTRUCTIONS

## STEP-4

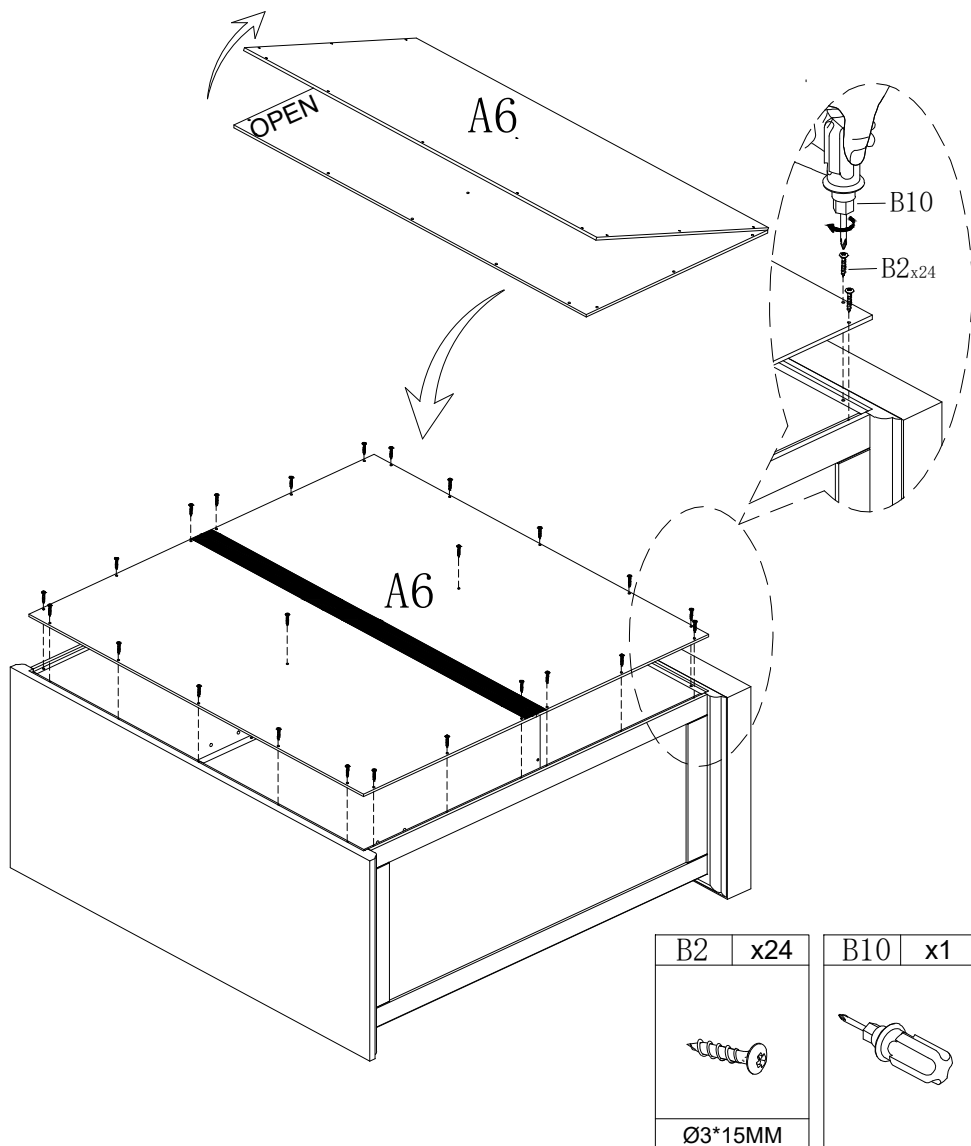
1. Insert the top panel (A1) into the corresponding holes in the pre-assembly step 3, make sure all the holes line up and tighten it with Allen key B9 as shown in the picture.



# ASSEMBLY INSTRUCTIONS

## STEP-5

1. open the back panel(A6),insert back panel(A6) into the groove of preassembled step 4 ,make sure all holes aligned and use screw B2 to attach them , tighten screw with screwdriver B10.

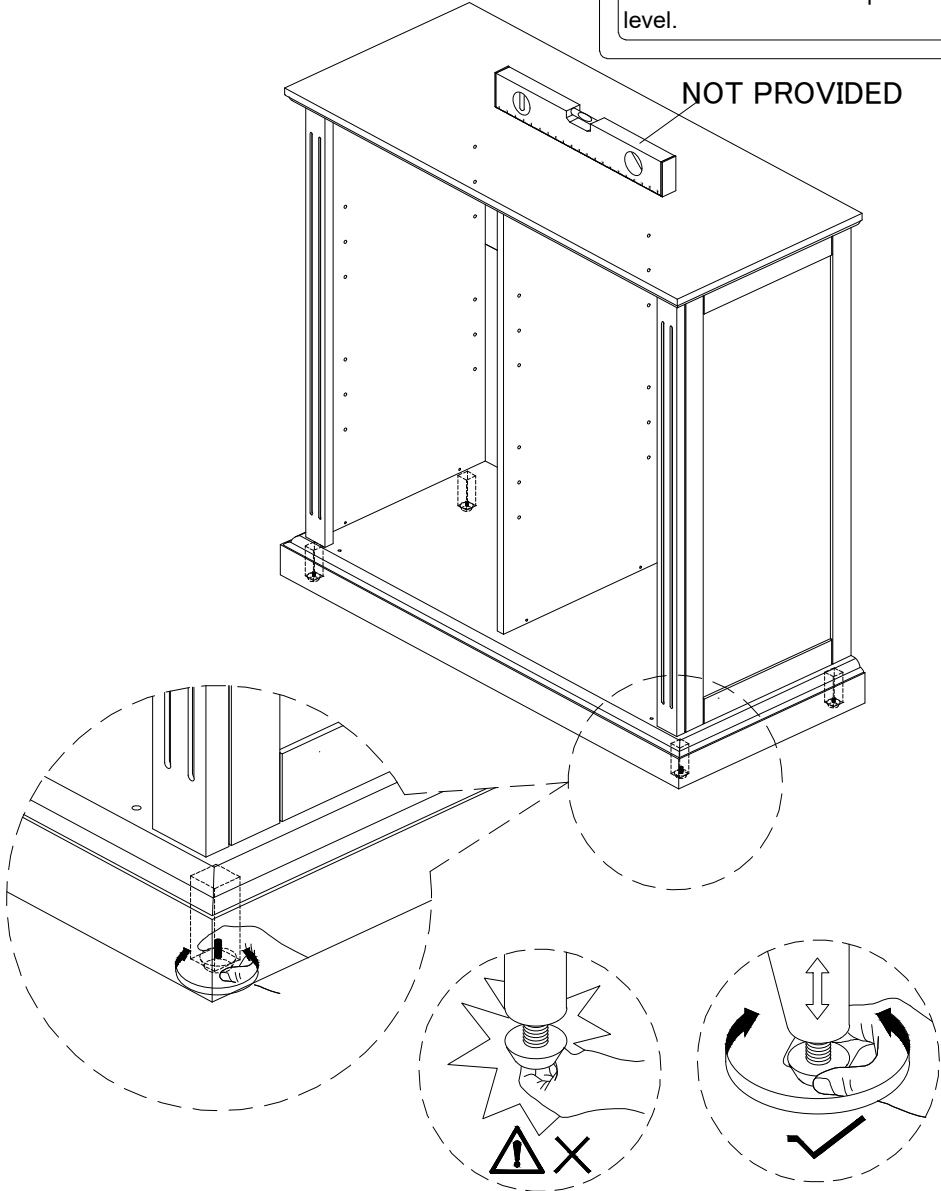


# ASSEMBLY INSTRUCTIONS

## STEP-6

**Attention:**  
Before the next step, adjust the feet of the locker to keep it level.

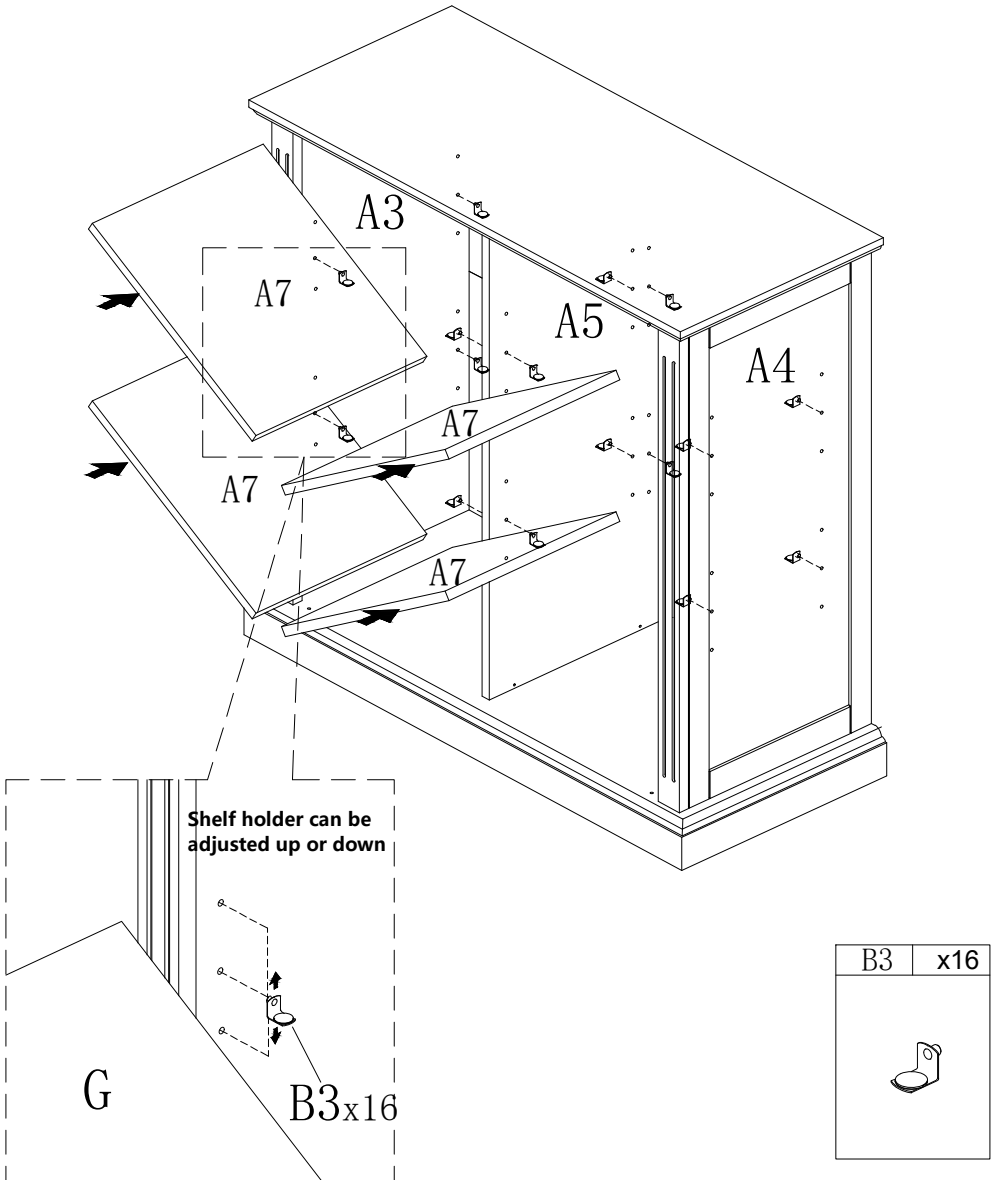
NOT PROVIDED



# ASSEMBLY INSTRUCTIONS

## STEP-7

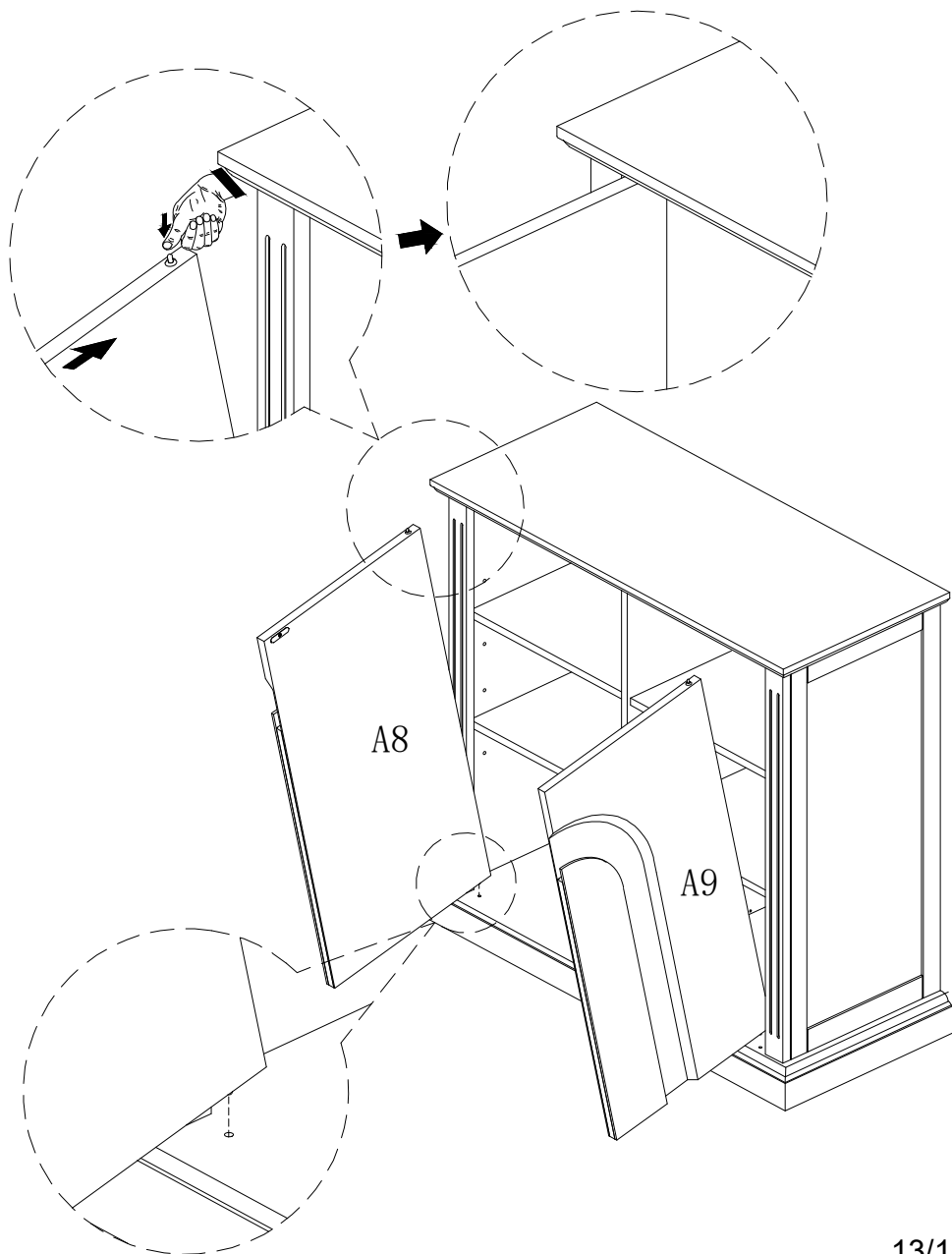
1. insert shelf holder B3 into the corresponding hole of panel(A3/A4/A5), make sure shelf holder B3 are level, and then attach panel(A7) to it.



# ASSEMBLY INSTRUCTIONS

## STEP-8

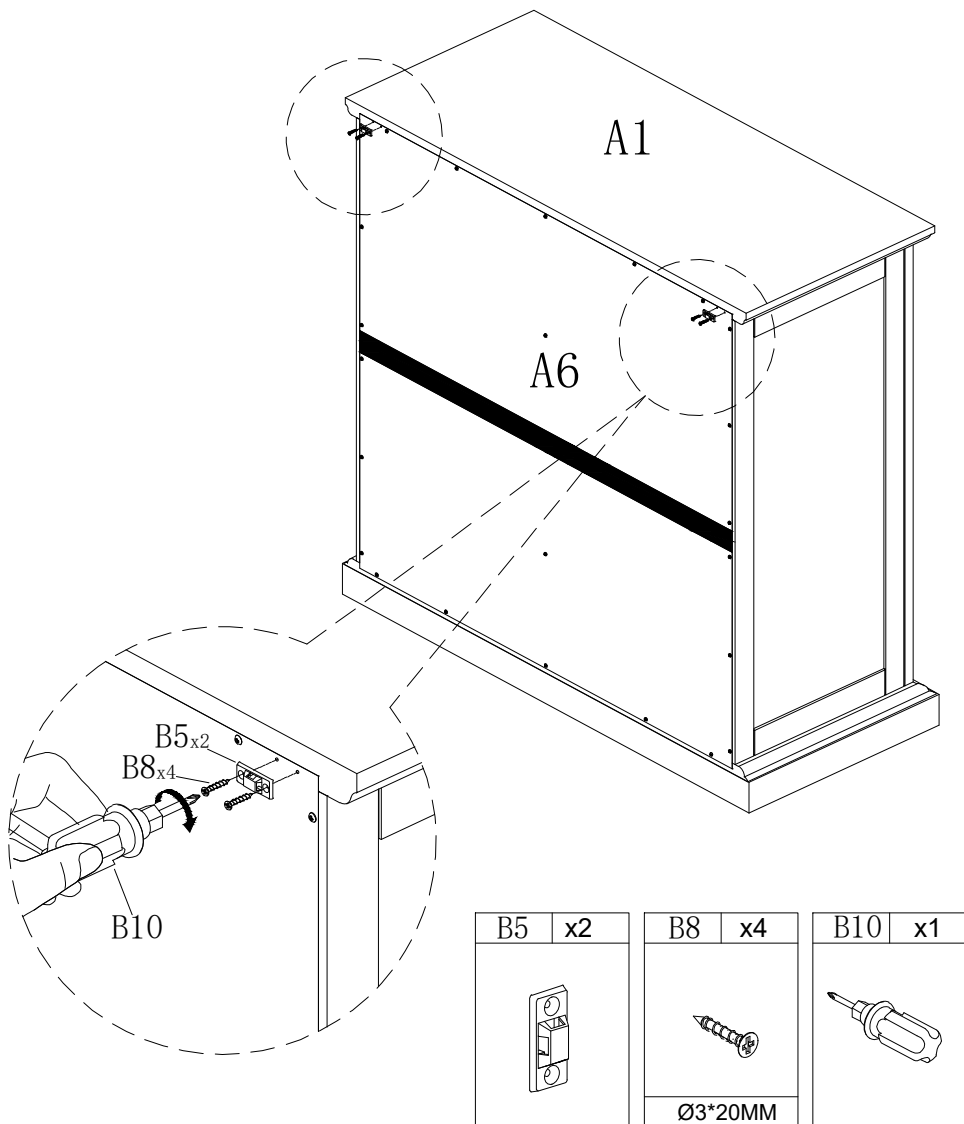
1. attach left door and right door(A8/A9) to pre-assemble unit at step 7.



# ASSEMBLY INSTRUCTIONS


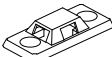

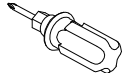
## STEP-9

1. use screw B8 to attach part B5 to back (A6) , tight screw with screwdriver B10.



# ASSEMBLY INSTRUCTIONS

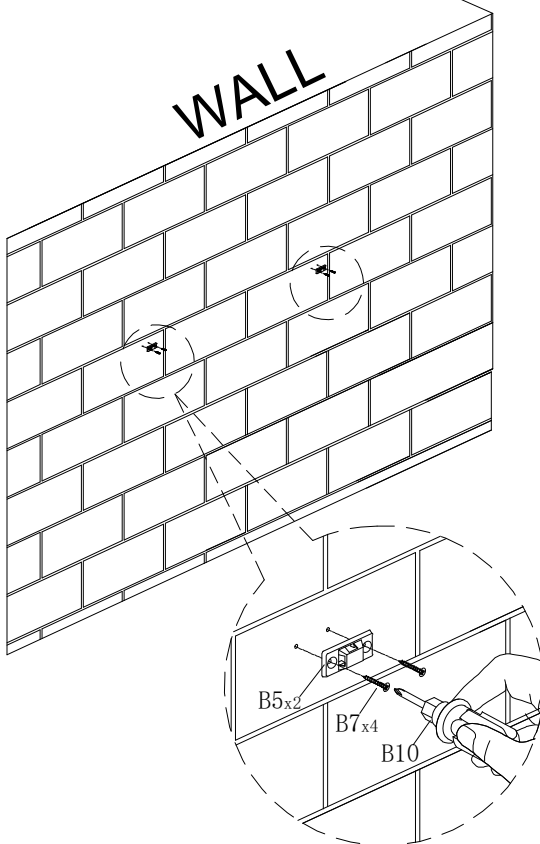
## STEP-10

B4 x4	B5 x2	B7 x4	B10 x1
		 Ø4*39MM	

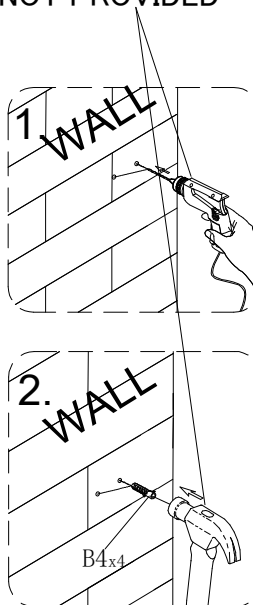
1. Install the anti-collapse device.

2. Mark the position on the wall, that corresponds to the location of part B5 on the of panel (A6); Drill and insert the expandable screw B4 by hammer.

3. Assemble the part B5 to the wall. Align the hole in the part B5 with the expandable screw B4, use screw B7 to attach it and tighten by screwdriver B10.

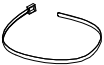


NOT PROVIDED

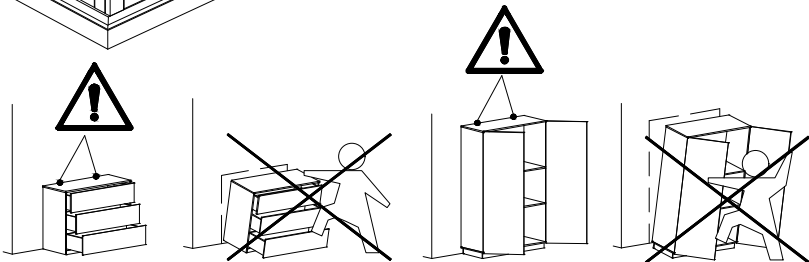
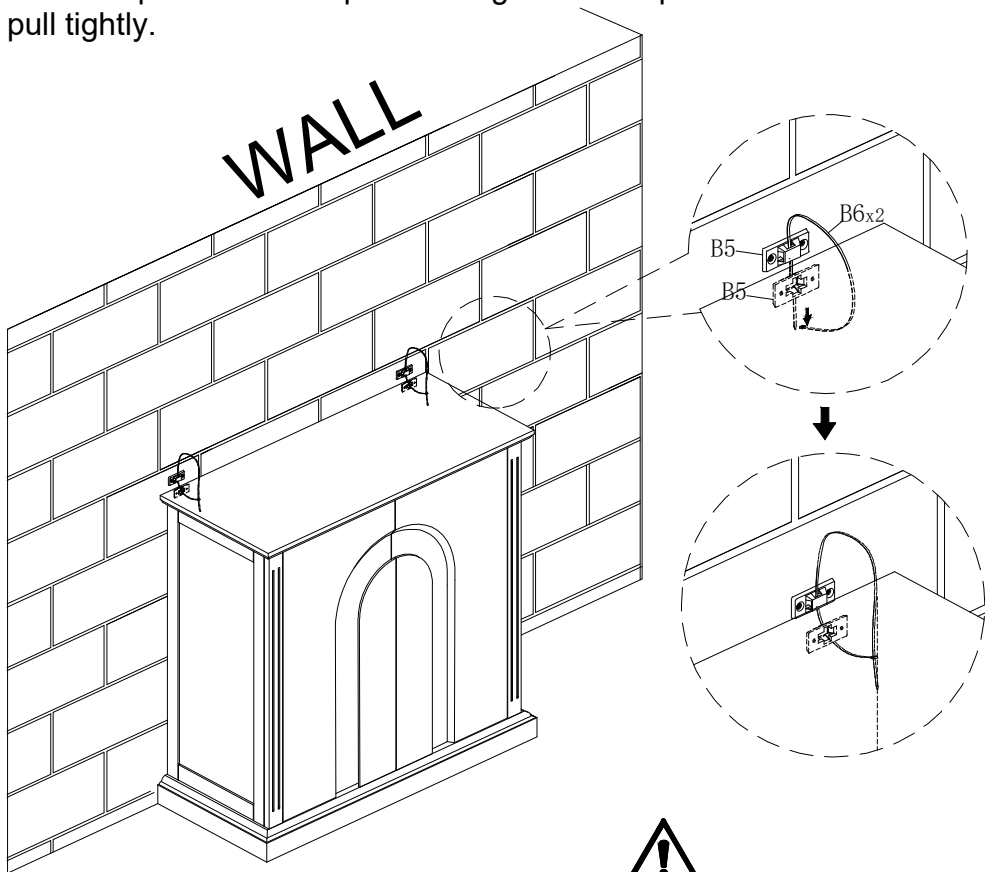


# ASSEMBLY INSTRUCTIONS

## STEP-11

B6	x2
	

1. Let the plastic belt B6 pass through the both part B5 and pull tightly.





# WARRANTY

1. We strive to offer high-quality products, and we also try our best to satisfy each and every customer that orders from us with product or service as needed.
2. We provide 30 days warranty starting from the time you receive the item. Each customer must provide a record of their order such as the order number, or item receipt for any items that are out of the warranty period you may also still receive.
3. Replacement parts by purchasing them with our company if they are available.

Are you having difficulty  
With assembly? Missing parts?  
Please send email with your order No to  
**[customerservice@hulalahome.com](mailto:customerservice@hulalahome.com)**  
For return, please check the return policy with  
the retailer or market place you bought from.

Appreciate your purchasing from us.  
Pop up your life by our furniture piece!