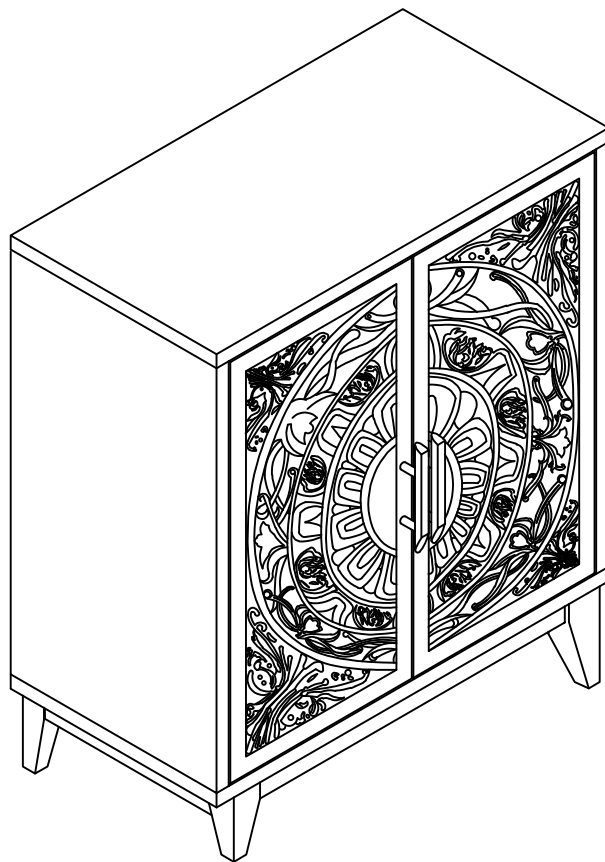


HULALA

H O M E



ITEM NO.SCYL1083

NOTE:

This brochure contains IMPORTANT safety info. Please read and keep for future reference.

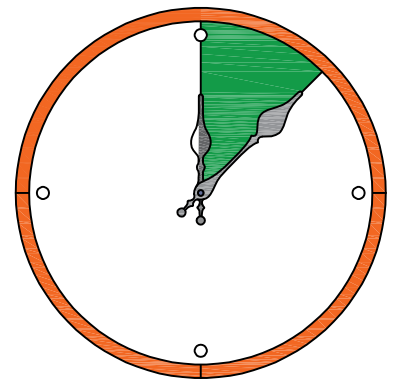
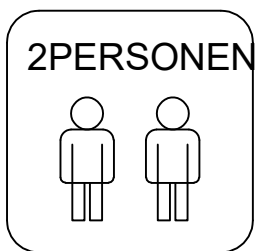
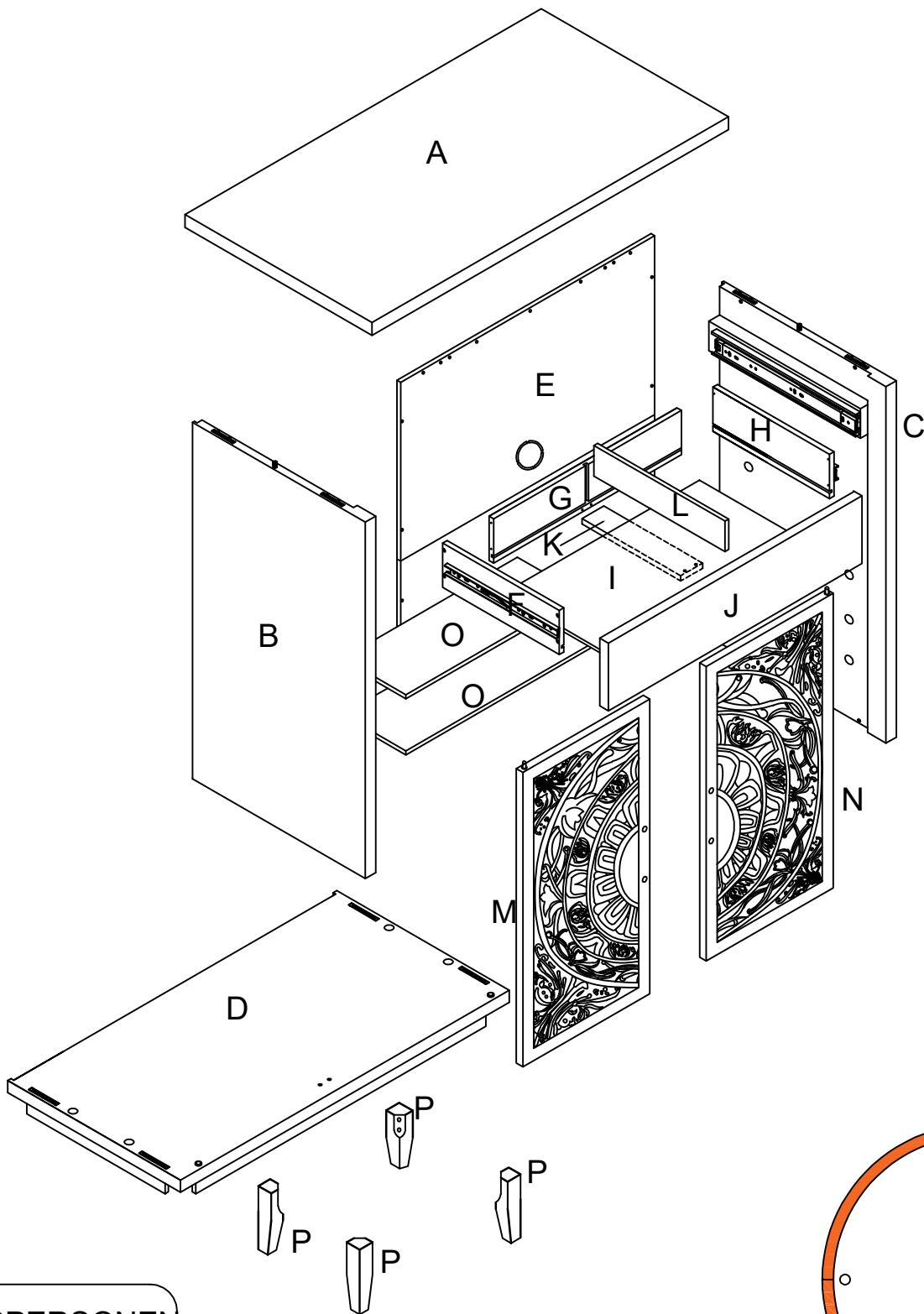
MAINTAINANCE AND WARNING

- 1.Keep furniture away from heat sources.
- 2.Do not clean furniture with harsh cleaner or polishes.Do not use detergents,solvents,abrasives,spray packs or leather cleaner. Use non-color mild soap with warm water to clean spills(Mix 1:10 soap to water).
- 3.Do not place furniture under direct sunlight,material will possibly fade over time.
- 4.Do not use on site dry cleaning machine.Children should not climb or jump on the furniture.
- 5.Do not write on furniture that is not protected by a padded barrier.
- 6.Not for commercial use,only for residential use.



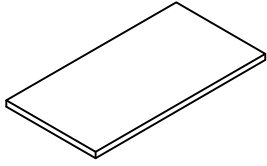
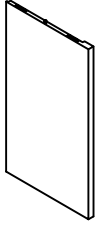
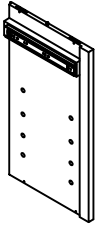
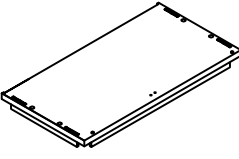
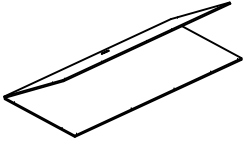
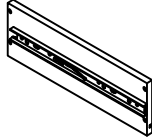
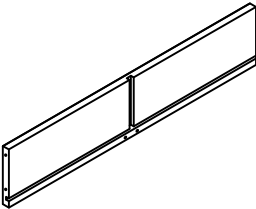
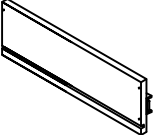
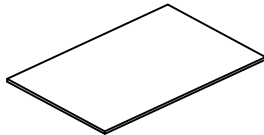
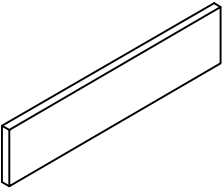
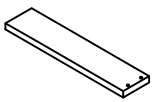



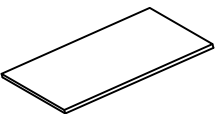
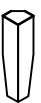
Weight Limitation

110 LBS








Around 50 min






PARTS LIST


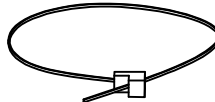
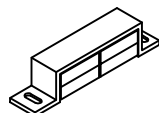
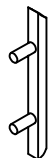
A	x1	B	x1	C	x1	D	x1
							
E	x1	F	x1	G	x1	H	x1
							
I	x1	J	x1	K	x1	L	x1
							
M	x1	N	x1	O	x2	P	x4
							

HARDWARE LIST

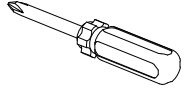
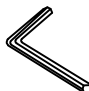
1#	x8	2#	x8	3#	x8	4#	x20	5#	x4
									
1/4"*50mm		1/4"		1/4"		φ3*15mm			



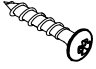




6#	x4	7#	x12	8#	x8	10#	x4	11#	x4
									
φ3*20mm		φ4*25mm				5/32"*25mm			

12#	x4	13#	x2	14#	x1	17#	x2
							
φ4"*38mm							

TOOL LIST

15#	x1	16#	x1
			
		1/4"	

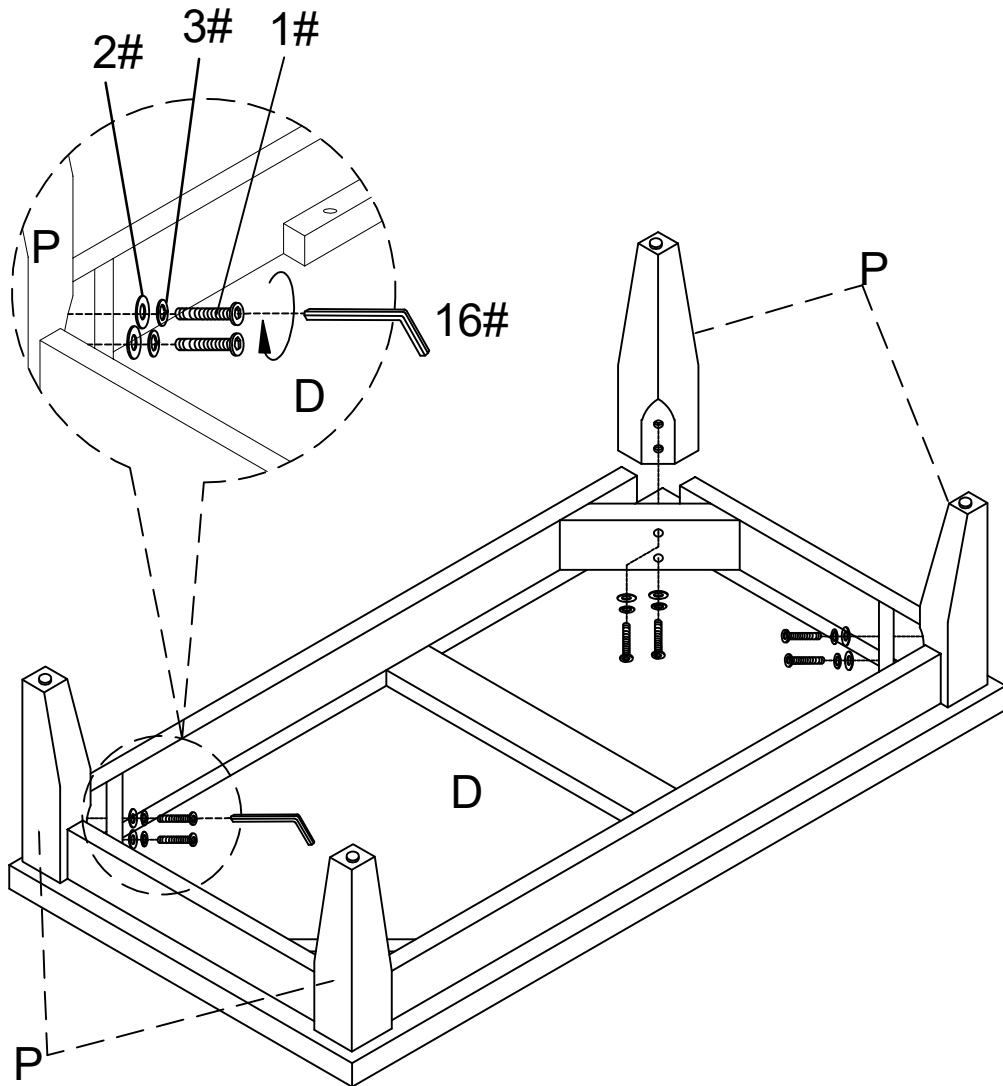
HARDWARE SPARE LIST




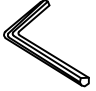
4#	x2	7#	x1	1#	x1	2#	x1	3#	x1
									
φ3*15mm		φ4*25mm		1/4"*50mm		1/4"		1/4"	

ASSEMBLY INSTRUCTIONS

STEP-1

1. Connect part(P) to bottom panel(D) with bolt #1 and flat washer#2 and spring washer #3, tight bolt with allen wrench #16.

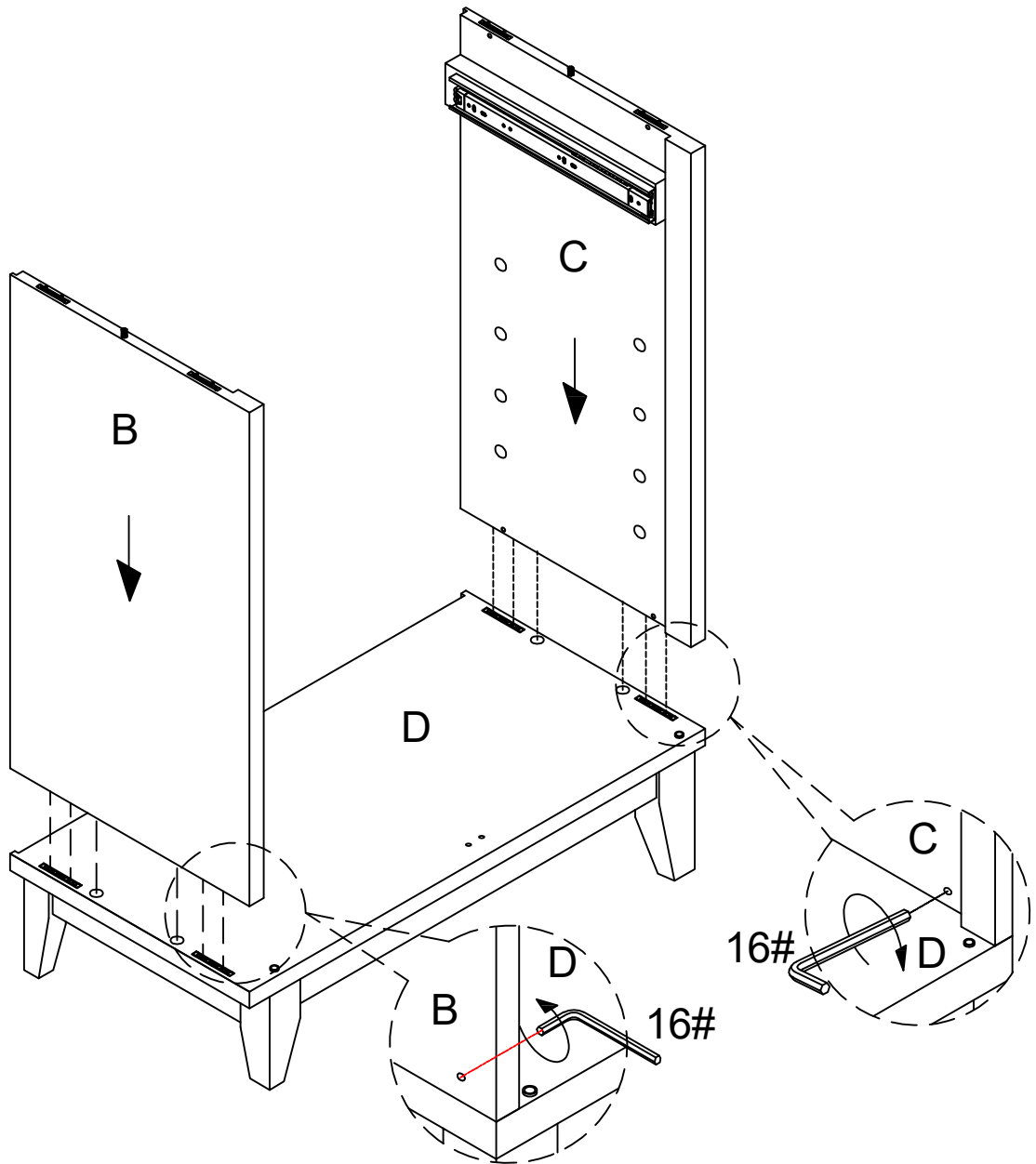


1#	x8	2#	x8	3#	x8	16#	x1
							
φ1/4*50mm		1/4"		1/4"		1/4"	

ASSEMBLY INSTRUCTIONS

STEP-2

1. Insert part(B/C) into part(D) , make sure all holes aligned and tight it with allen wrench #16.

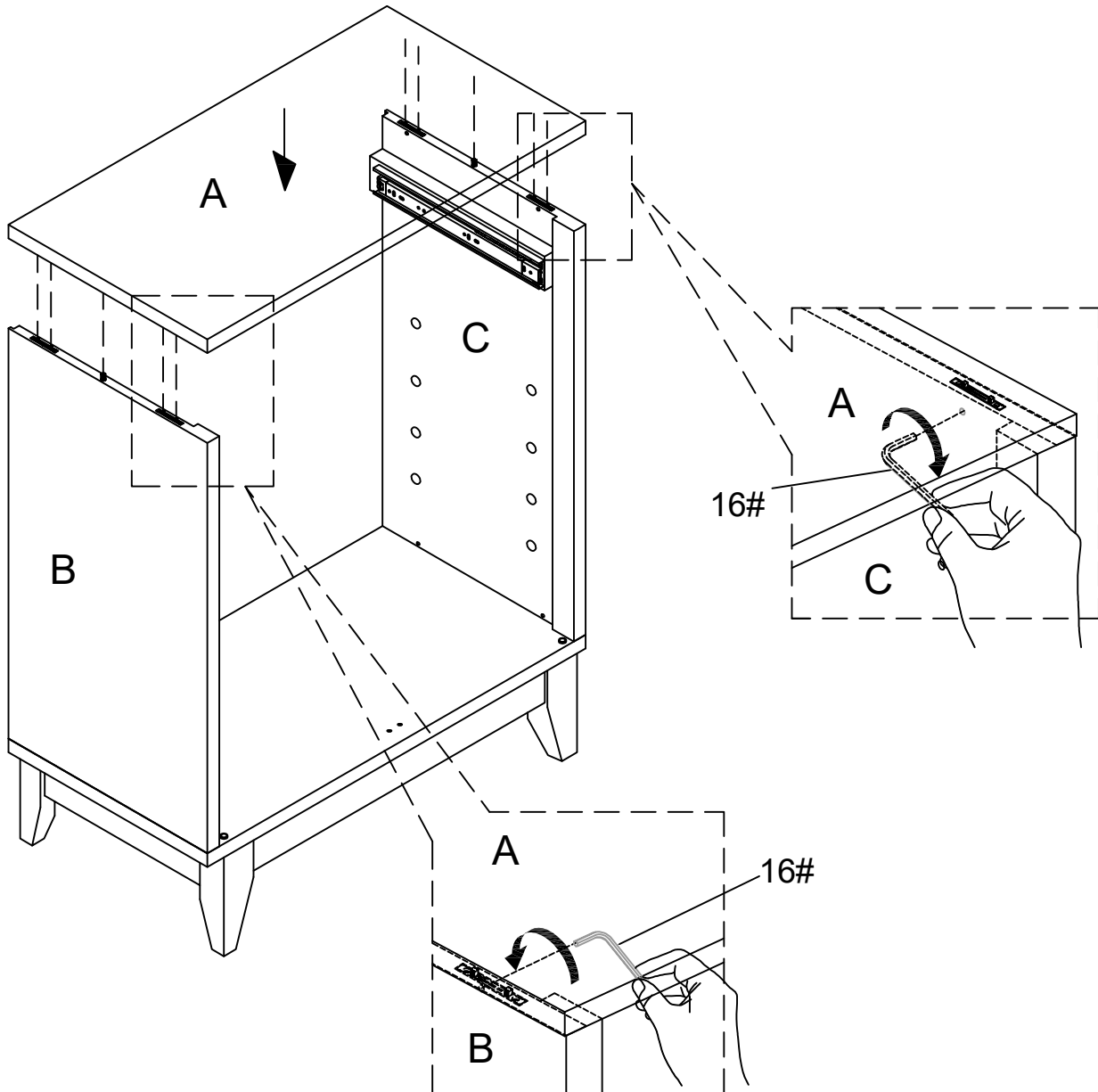


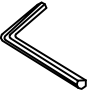
16#	x1
1/4"	

ASSEMBLY INSTRUCTIONS

STEP-3

1. Insert part(B/C) into part(A) , make sure all holes aligned and tight it with allen wrench #16.

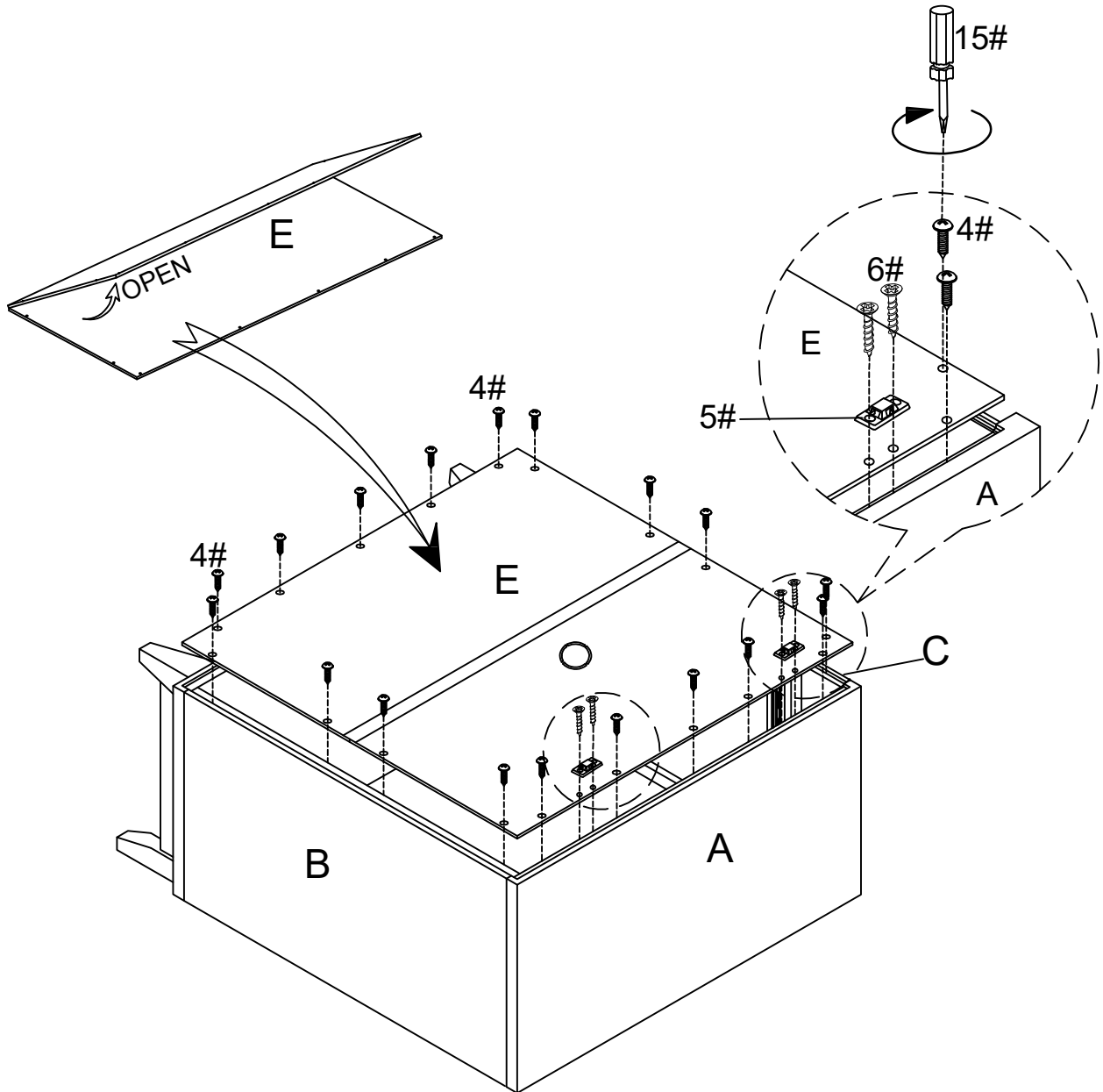


16#	x1
	
1/4"	

ASSEMBLY INSTRUCTIONS

STEP-4

1. open back panel(E), connect it to the unit pre-assembled at step 3 with part #4, tight it with screwdriver #15.
2. connect part #5 to the unit pre-assembled at step 3 with part#6, tight it with screwdriver #15.

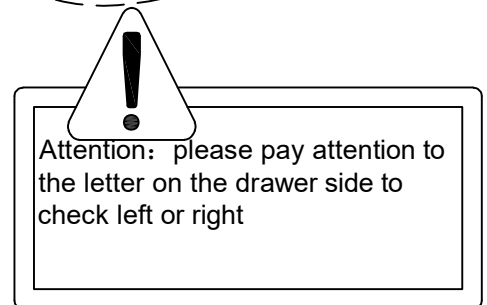
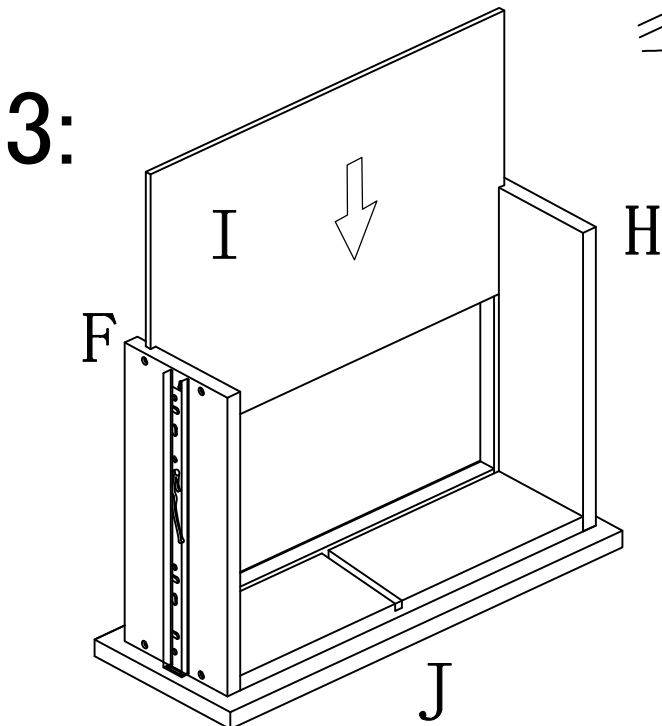
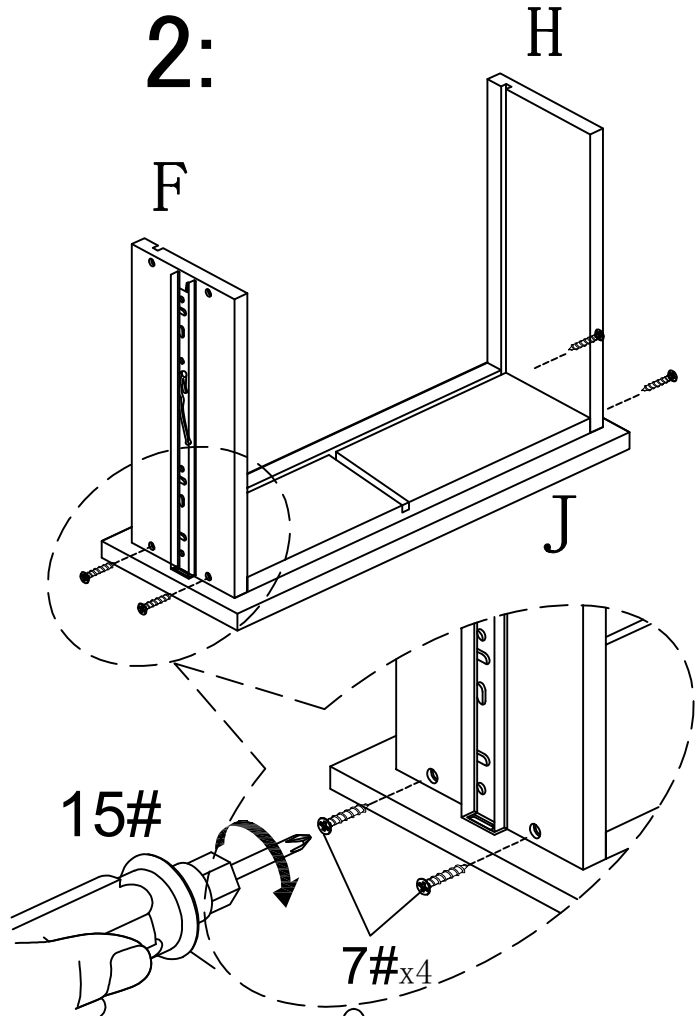
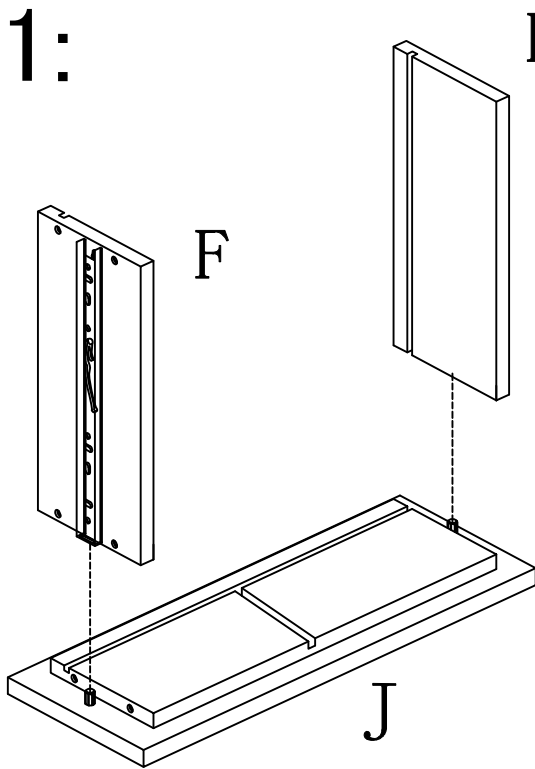



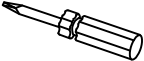
4#	x18	5#	x2	6#	x4	15#	x1
φ3*15mm				φ4*20mm			

ASSEMBLY INSTRUCTIONS

STEP-5

1. connect part (H/F) to part (J) with part #7, tight it with screwdriver #15.
2. slide part(I) to part (H/F) , make sure it also in the groove of part (J).

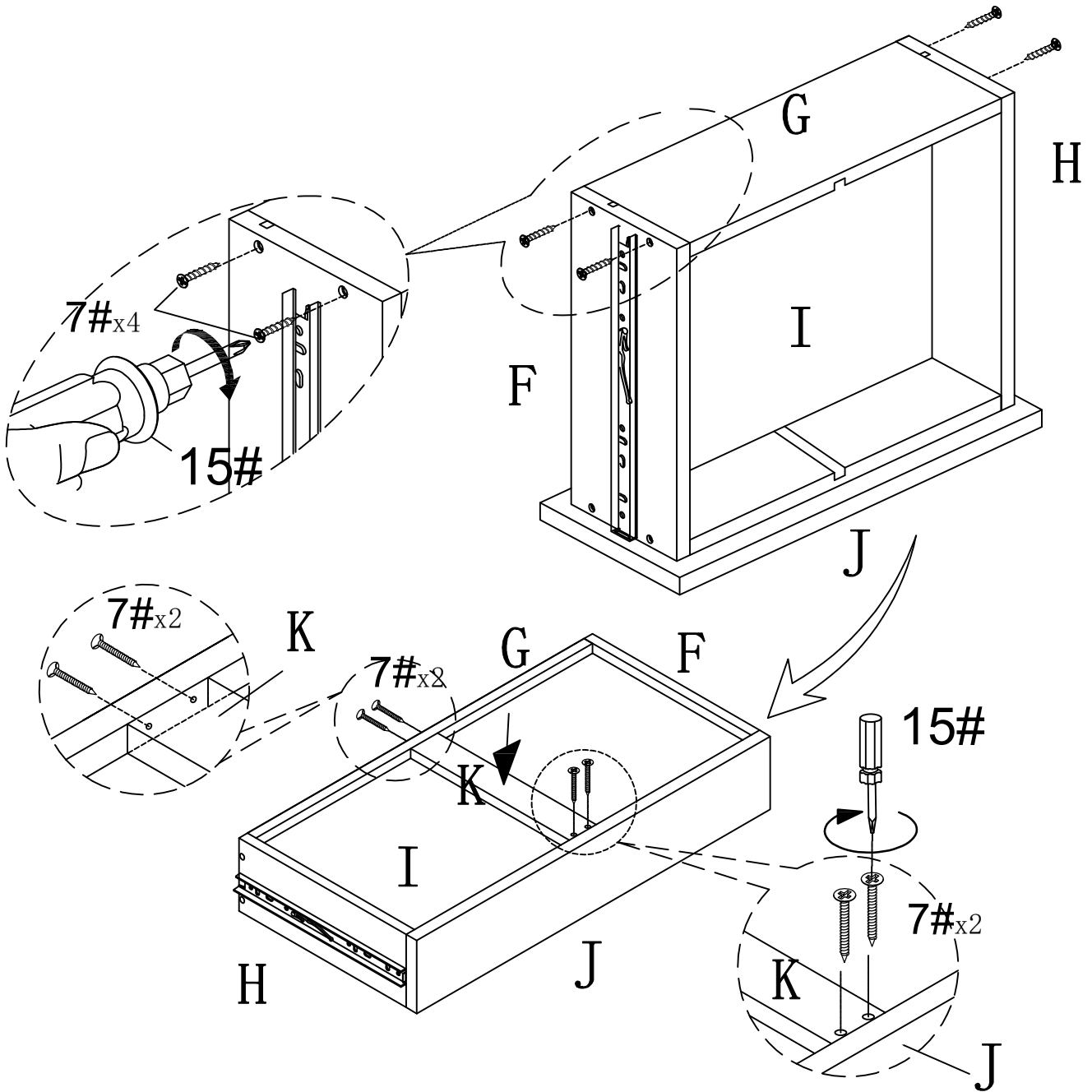



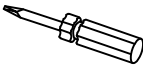
7#	x4	15#	x1
			
φ4*25mm			

ASSEMBLY INSTRUCTIONS

STEP-6

1. connect part (H/F) to part (G) with part #7, tight it with screwdriver #15.
2. connect part (K) to the drawer with part #7, tight it with screwdriver #15.

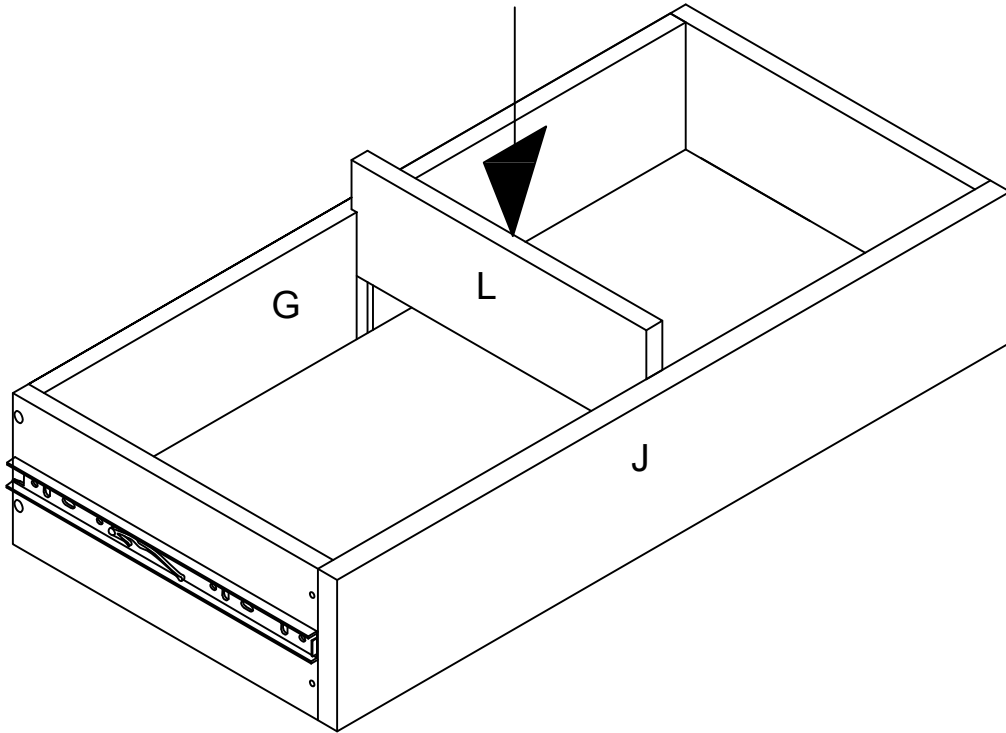


7#	x8	15#	x1
			
φ4*25mm			

ASSEMBLY INSTRUCTIONS

STEP-7

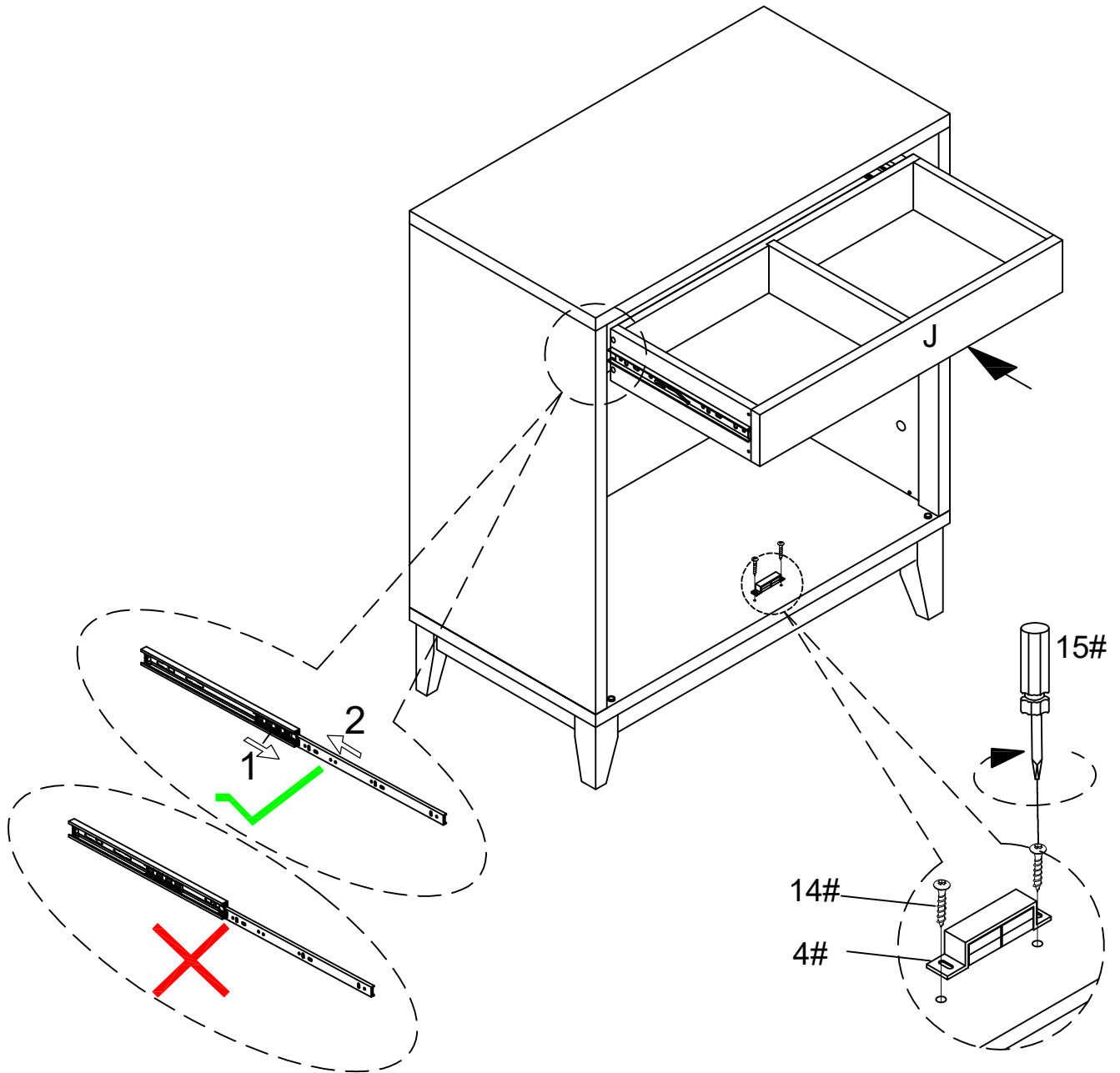
1. connect part (L) to the drawer with hand.



ASSEMBLY INSTRUCTIONS

STEP-8

1. attach the drawer to the unit pre-assembled at step 4.
2. connect part #14 to the unit pre-assembled at step 4 with screw #4. tight screw with screwdriver #15.

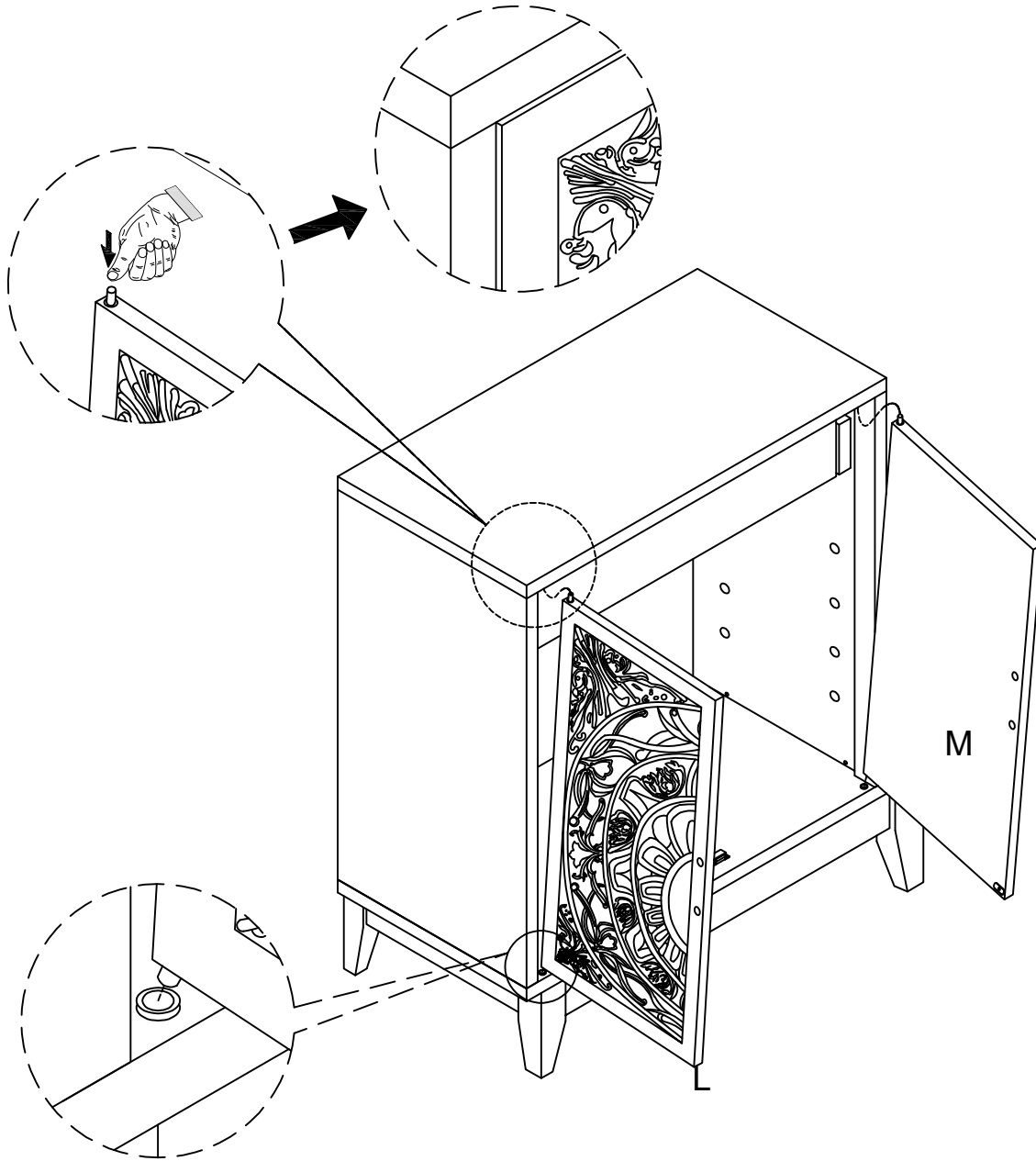


14#	x1	4#	x2	15#	x1
		$\phi 3 * 15 \text{mm}$			

ASSEMBLY INSTRUCTIONS

STEP-9

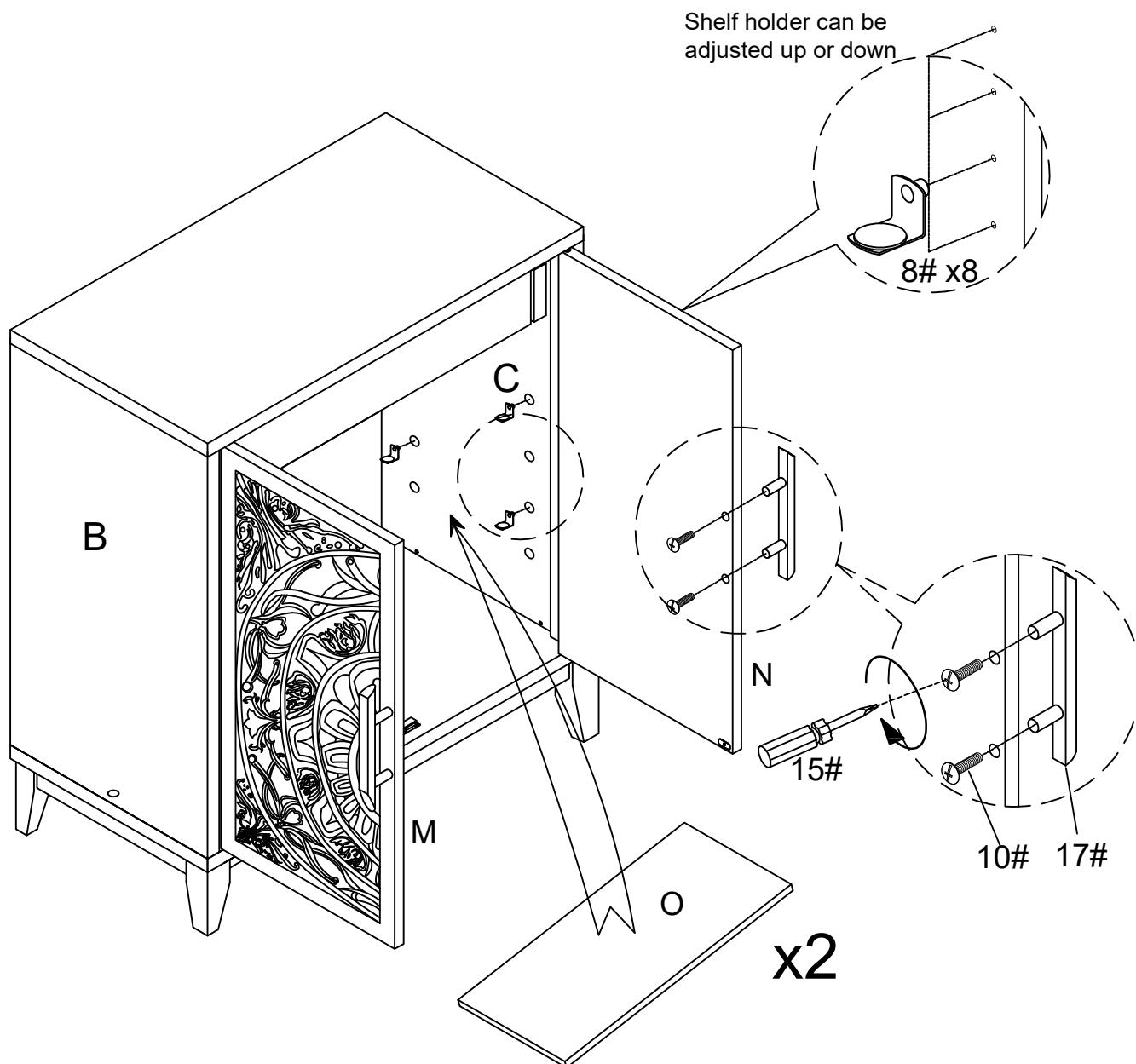
1. attach the door (M/N) to the unit pre-assembled at step 8 with hand.



ASSEMBLY INSTRUCTIONS

STEP-10

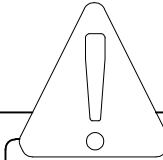
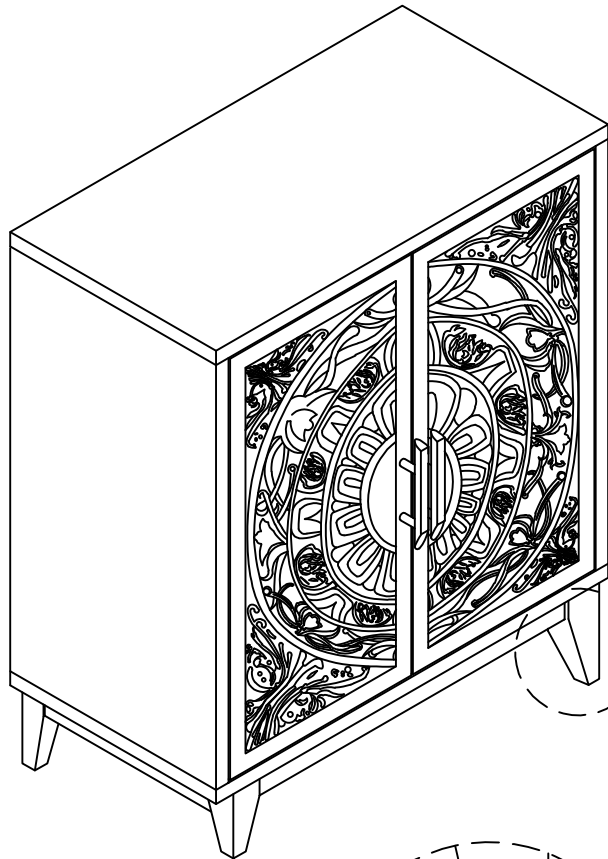
1. insert shelf holder #8 into part (B/C) with hand and attach part (O) to them.
2. connect handle #17 to the door with small bolt #10, tight small bolt with screwdriver #15.



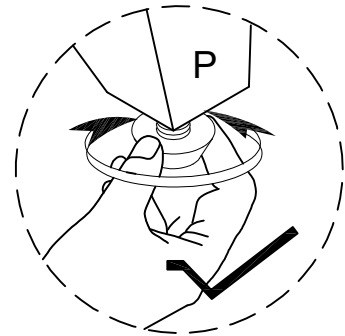
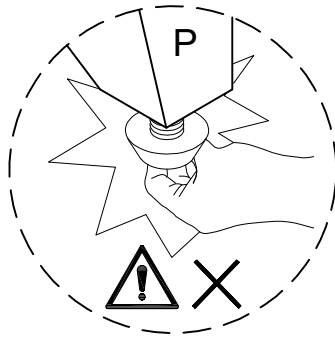
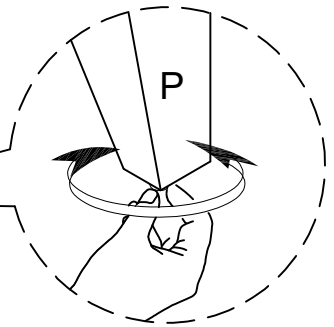
8#	x8	17#	x2	10#	x4	15#	x1
				5/32"*25mm			

ASSEMBLY INSTRUCTIONS

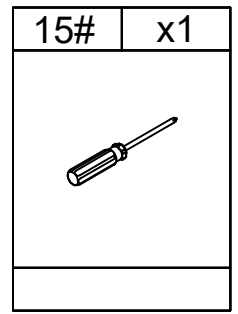
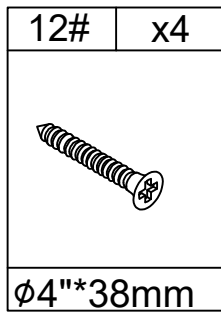
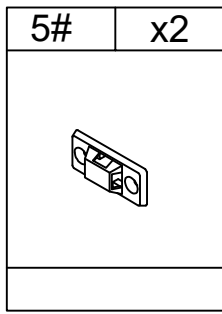
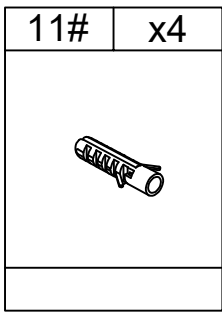
STEP-11



Attention:
After installation, adjust the adjustable leveler to keep the cabinet balanced .



ASSEMBLY INSTRUCTIONS

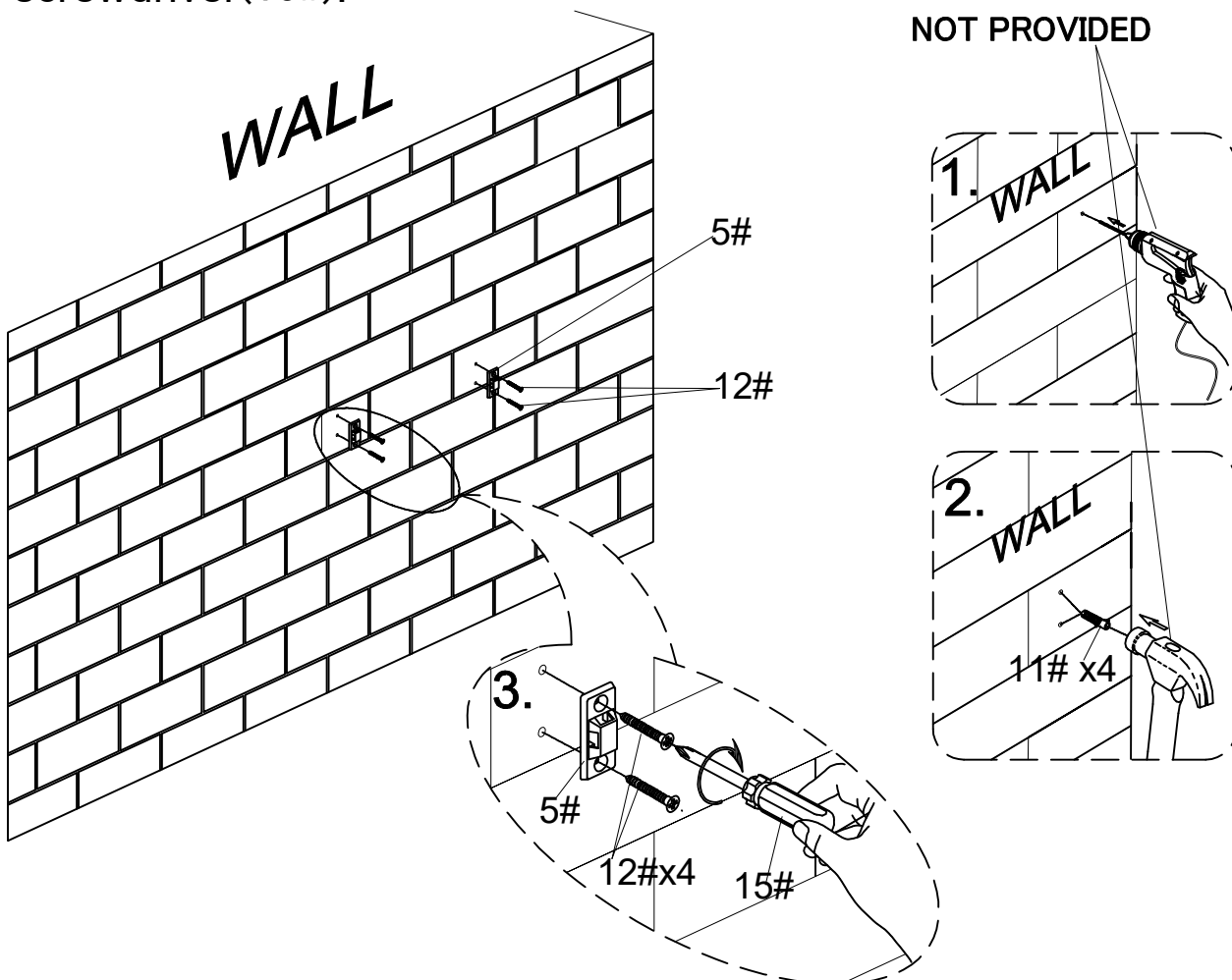


STEP-12

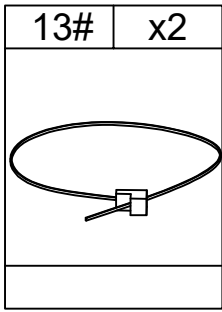
1. Install the anti-collapse device.

2. Mark the position on the wall, that corresponds to the location of part (5#) on the back of panel (E); Drill and insert the expandable screw (11#) by hammer.

3. Assemble the part (5#) to the wall. Align the hole in the part (5#) with the expandable screw (11#), use screw (12#) to attach it and tighten by screwdriver(15#).

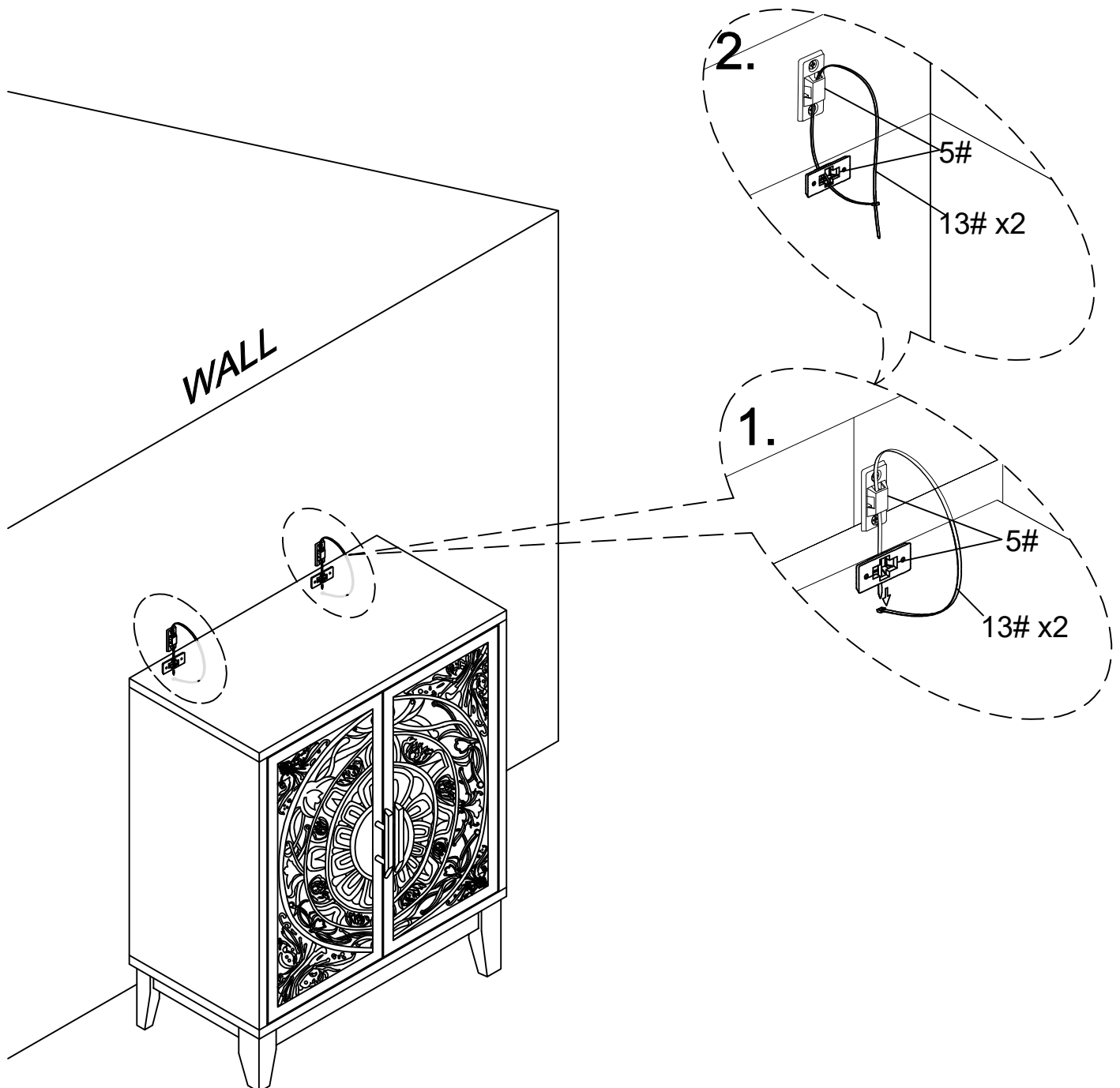


ASSEMBLY INSTRUCTIONS



STEP-13

Let the plastic belt (13#) pass through the both part (5#) and pull tightly.



WARRANTY

1. We strive to offer high-quality products, and we also try our best to satisfy each and every customer that orders from us with product or service as needed.
2. We provide 30 days warranty starting from the time you receive the item. Each customer must provide a record of their order such as the order number, or item receipt for any items that are out of the warranty period you may also still receive.
3. Replacement parts by purchasing them with our company if they are available.

Are you having difficulty
With assembly? Missing parts?
Please send email with your order No to
customerservice@hulalahome.com
For return, please check the return policy with
the retailer or market place you bought from.

Appreciate your purchasing from us.
Pop up your life by our furniture piece!